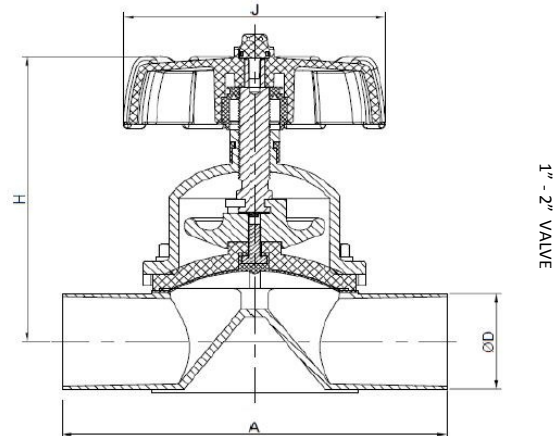
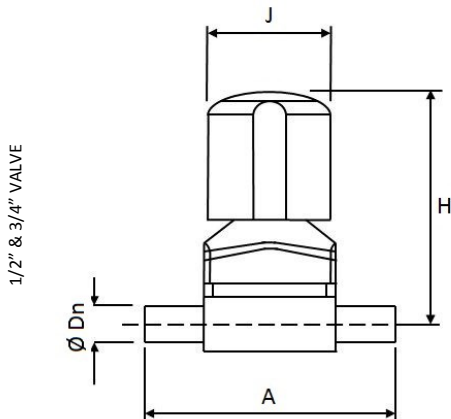




BDE (NORTHAMPTON) LTD

HYGIENIC DIAPHRAGM VALVE 316



• **HYGIENIC DIAPHRAGM VALVE 316**

SIZE	1/2"	3/4"	1"	1.5"	2"
ØD	12.7	19.1	25.4	38.1	50.8
A	69.0	85.0	145.4	178.4	198.4
H	70.0	70.0	128.4	142.2	184.7
J	37.5	37.5	87.2	114.0	138.0

DIAPHRAGM VALVE INFORMATION

- 1/2" - 2" OD weld ends ex-stock
- AISI 316L contact (wetted) parts - Other parts 304L
- EPDM Diaphragm as standard
- Optional PTFE/EPDM composite diaphragm
- Max Pressure: 10 BAR
- Internal Finish: 0.5µm
- External Finish: MATT
- Temperature EPDM -10°C TO +120°C
- ALTERNATIVE ENDS CAN BE WELDED -
CLAMP,RJT,IDF,DIN,SMS

IMPORTANT NOTE:

**IT IS THE CUSTOMER'S
RESPONSIBILITY TO ENSURE
THE VALVE IS SUITABLE FOR
THE APPLICATION.**