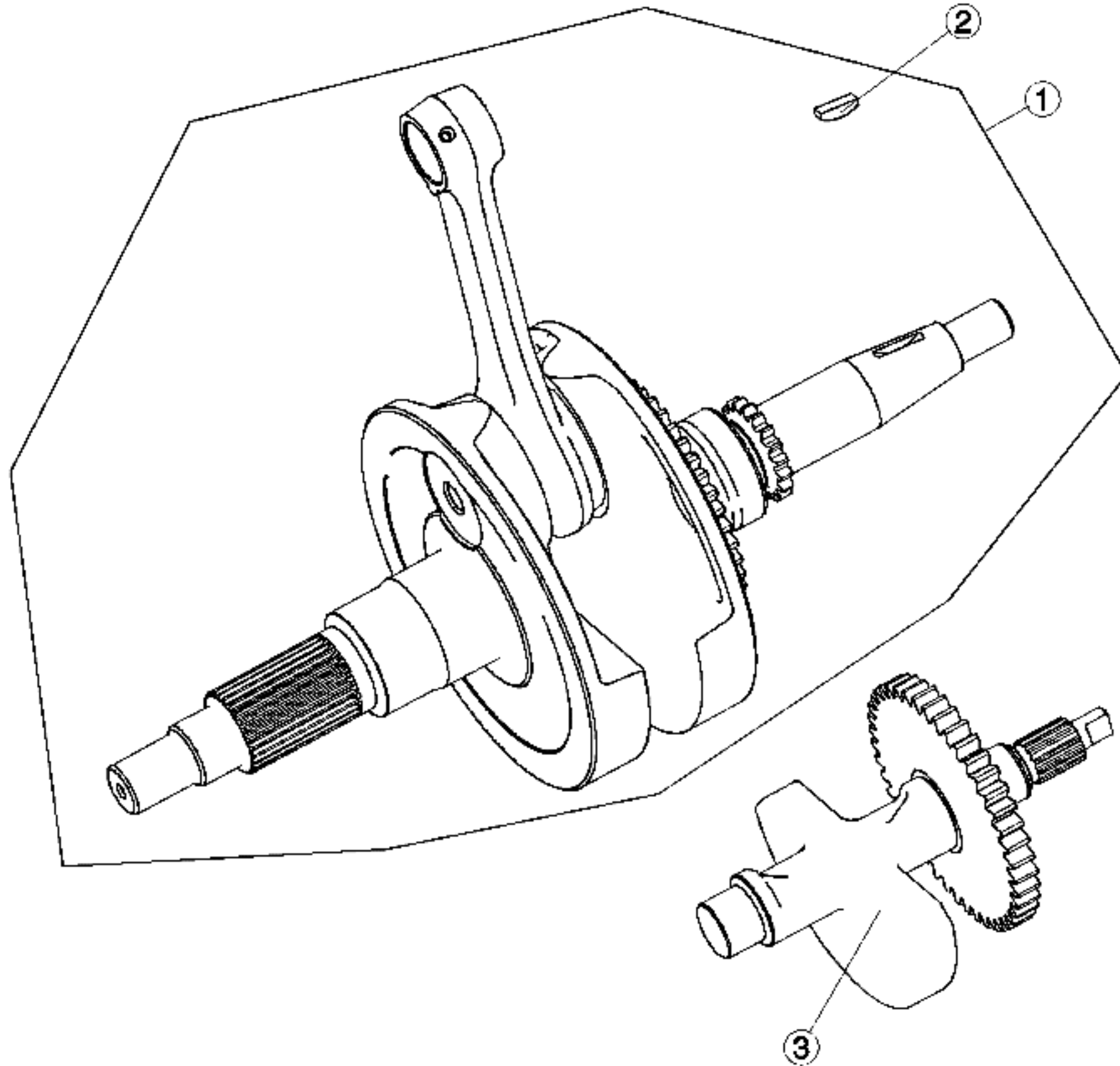


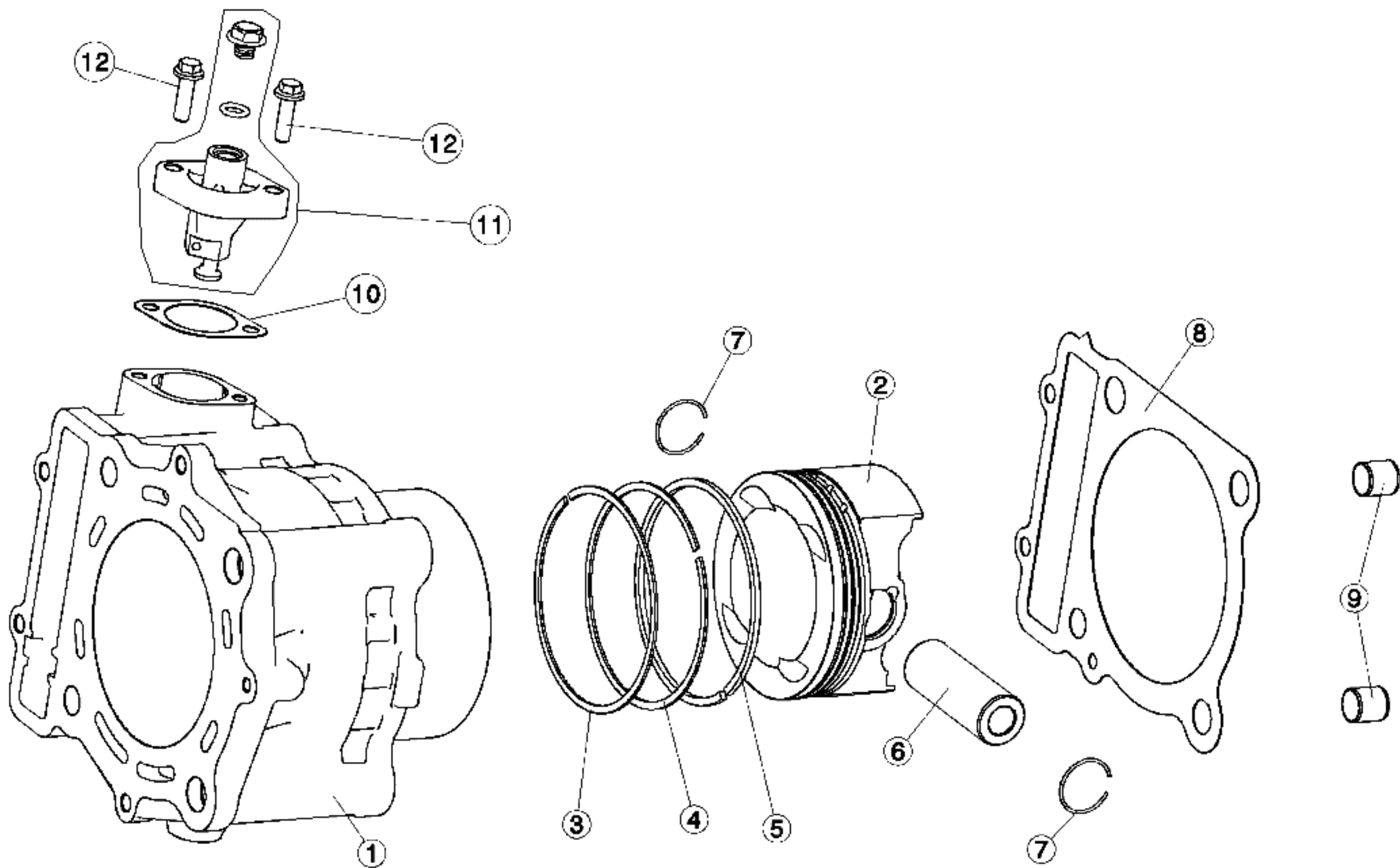
E01. 曲軸箱 (CRANKCASE)



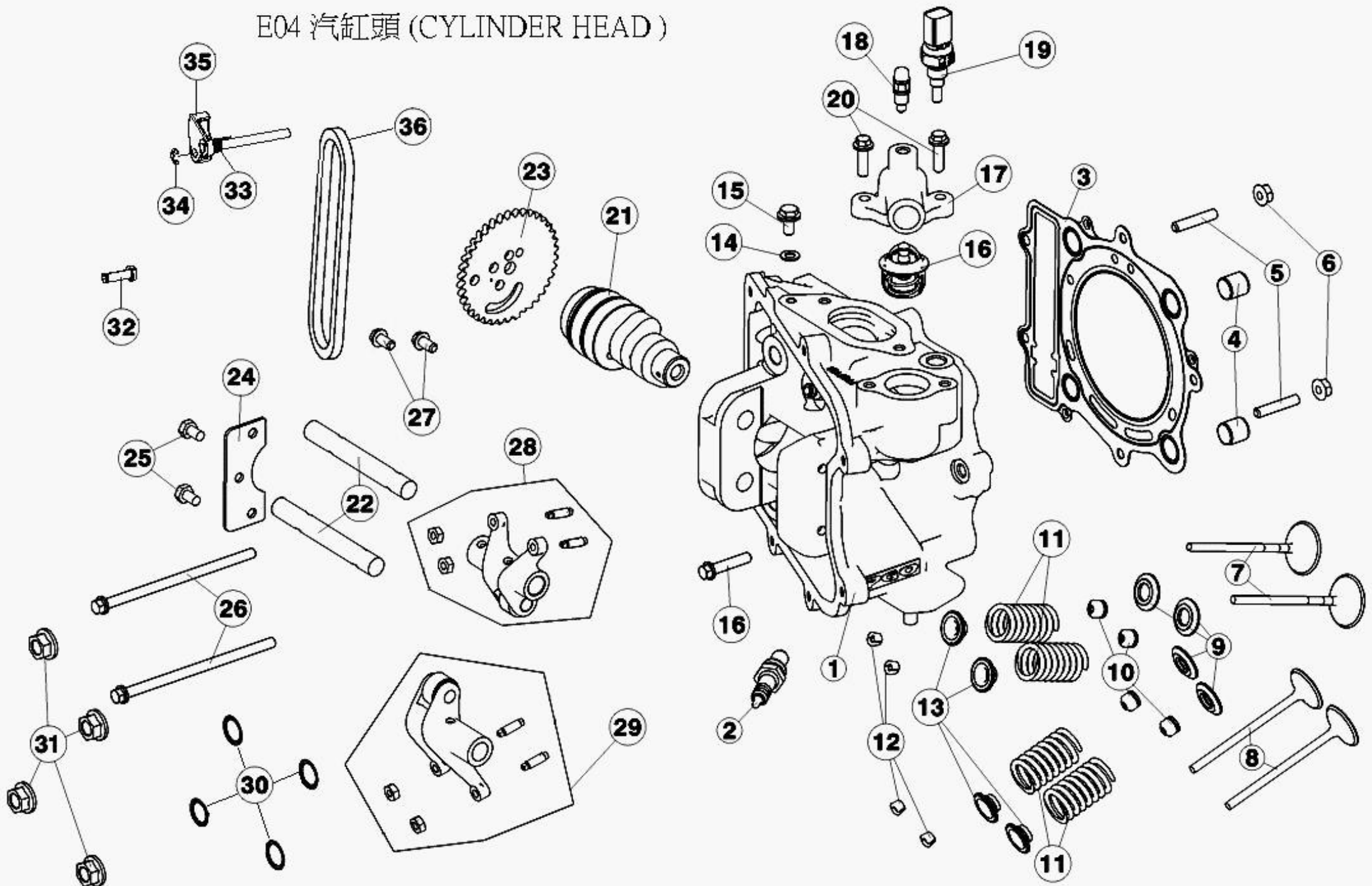
E02. 曲軸 (CRANKSHAFT)



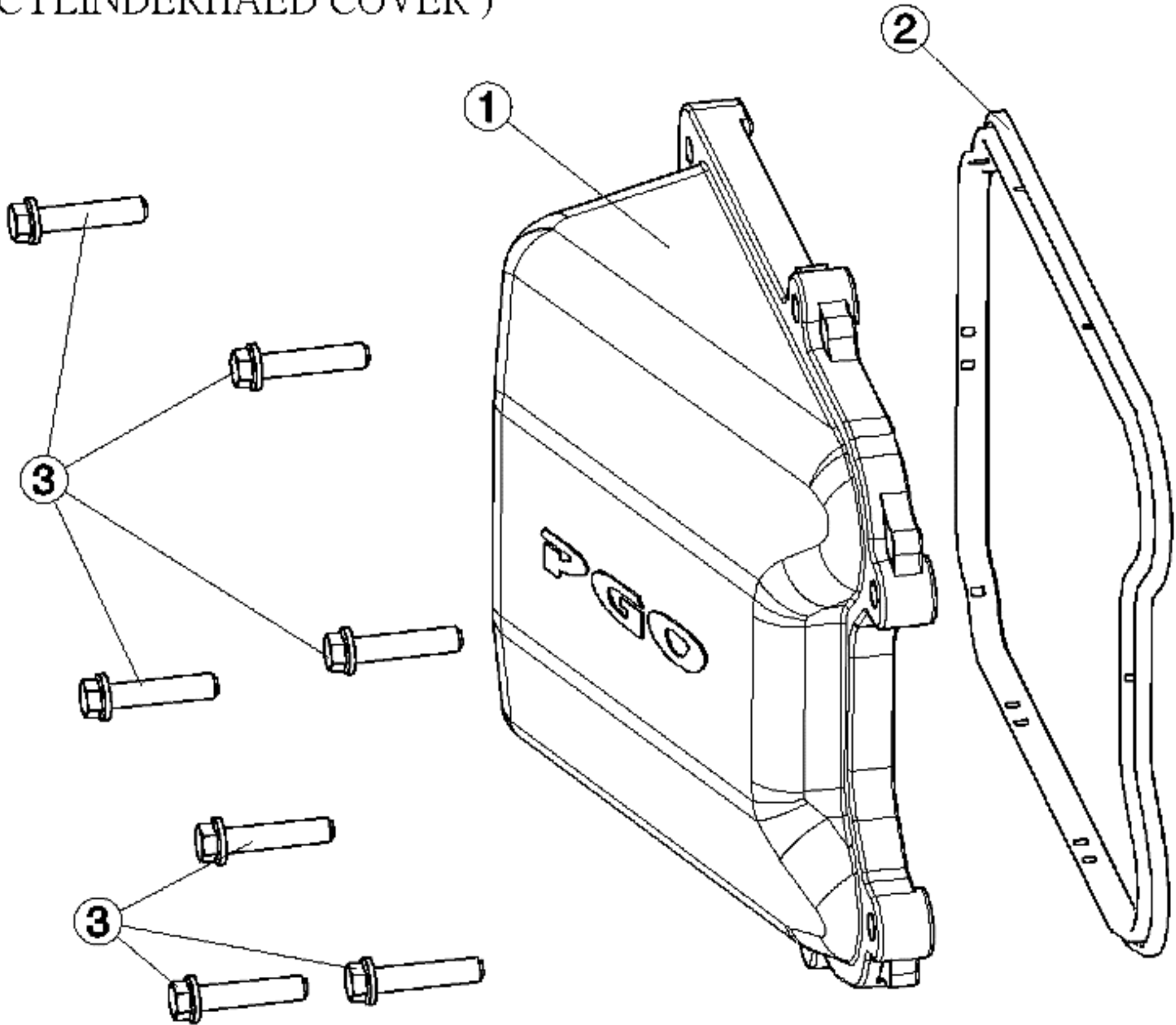
E03. 汽缸& 活塞 (CYLINDER & PISTON SET)



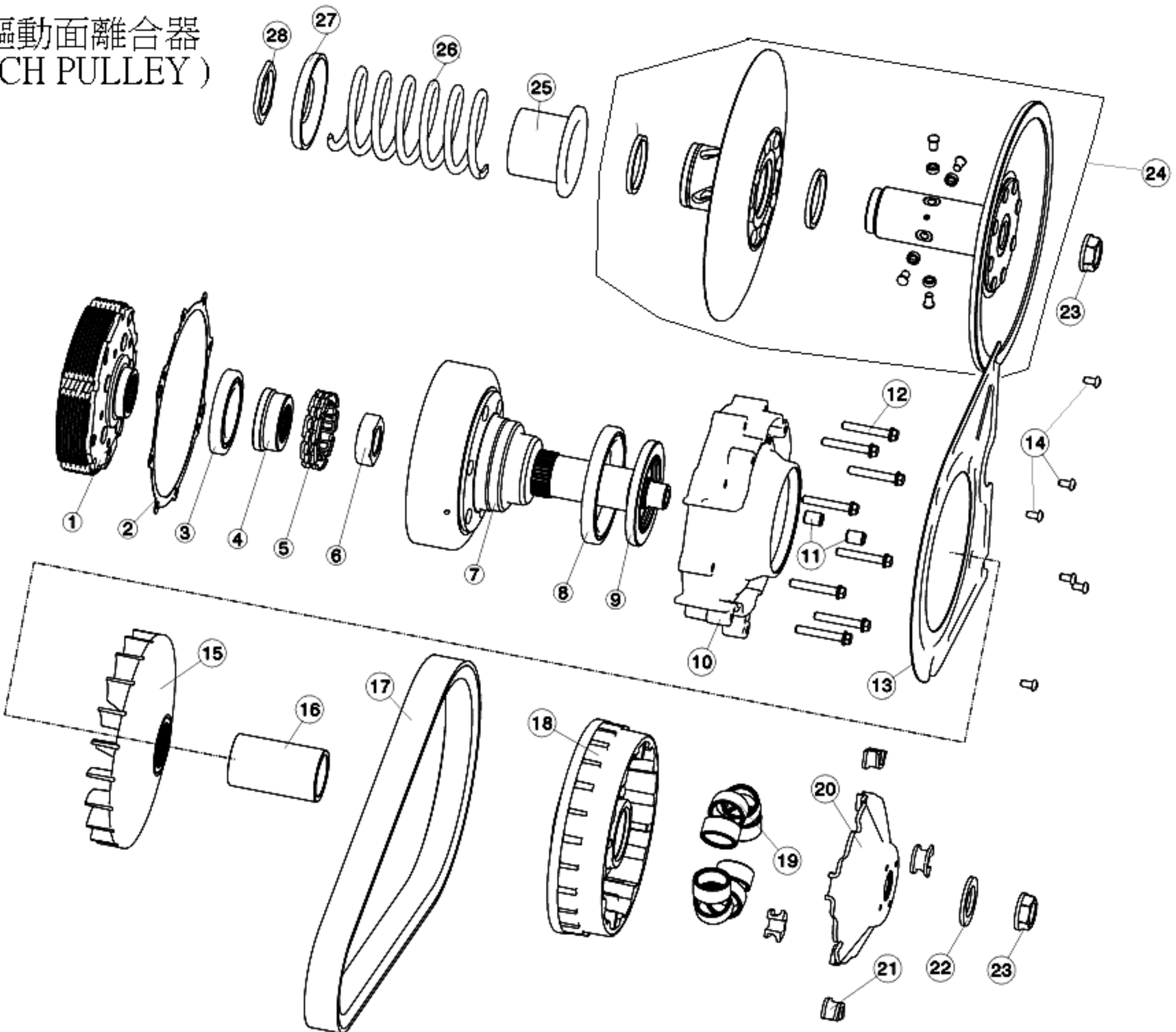
E04 汽缸頭 (CYLINDER HEAD)



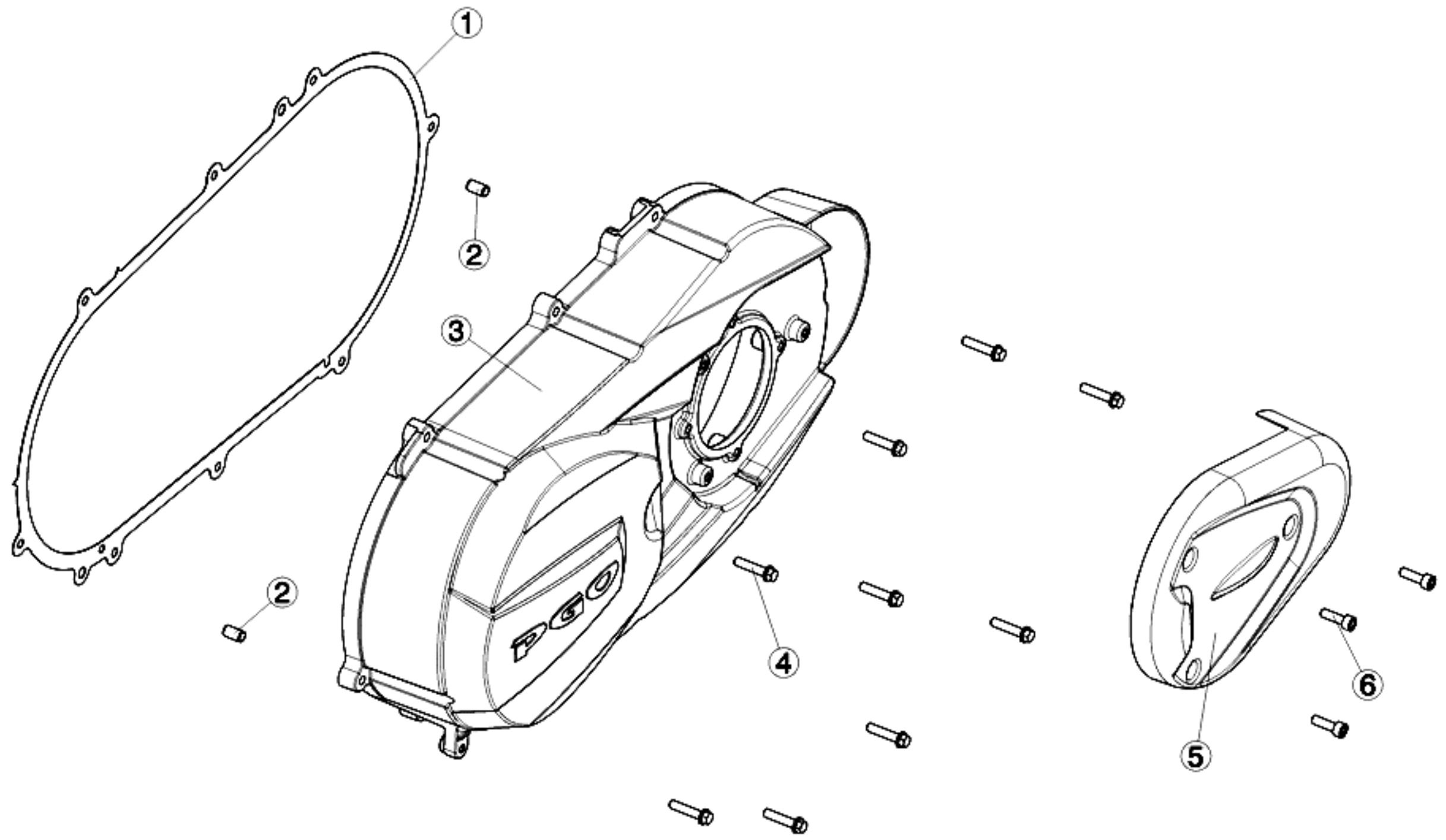
E05. 汽缸頭蓋(CYLINDERHEAD COVER)



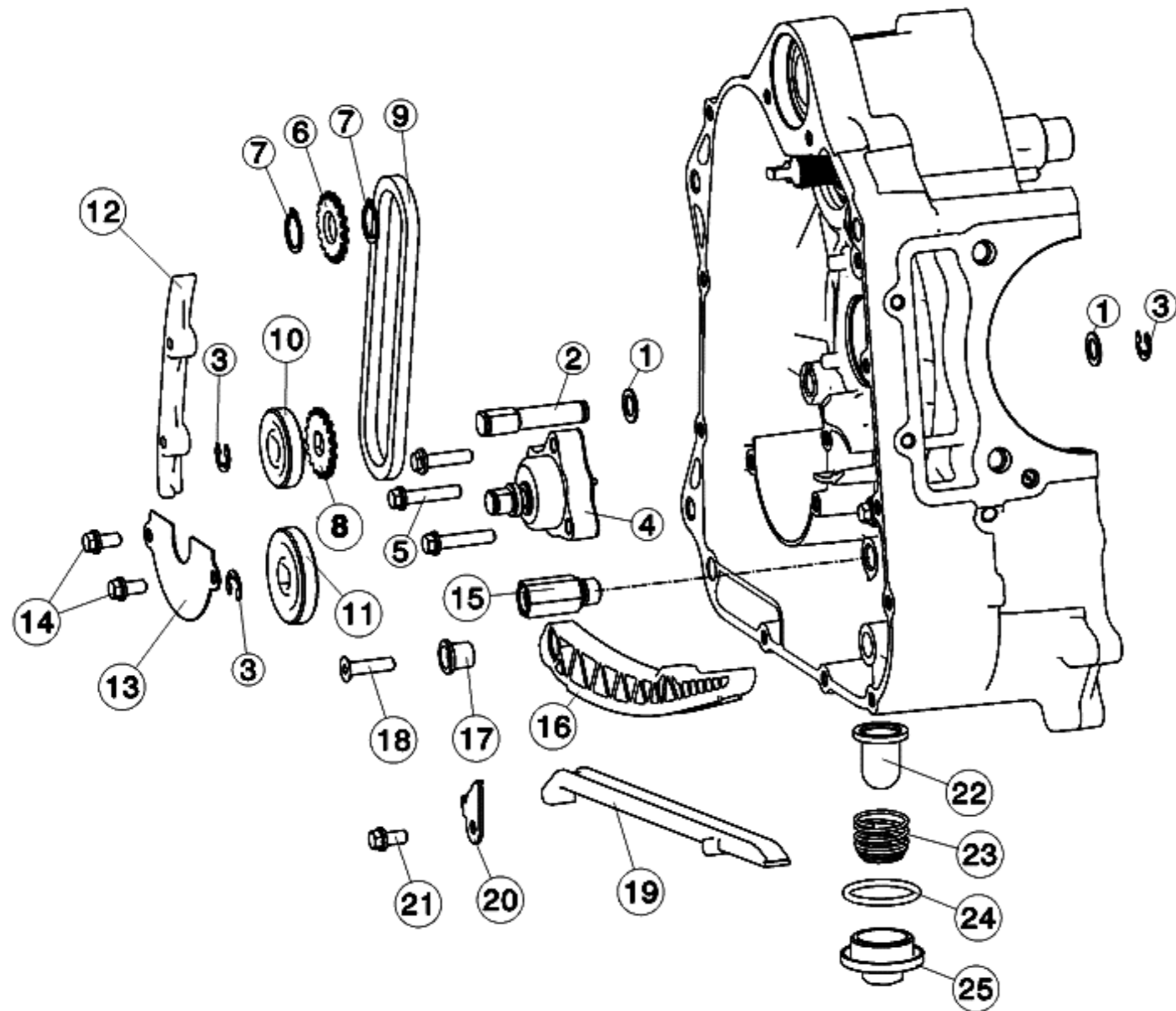
E06. 被驅動面離合器
(CLUTCH PULLEY)



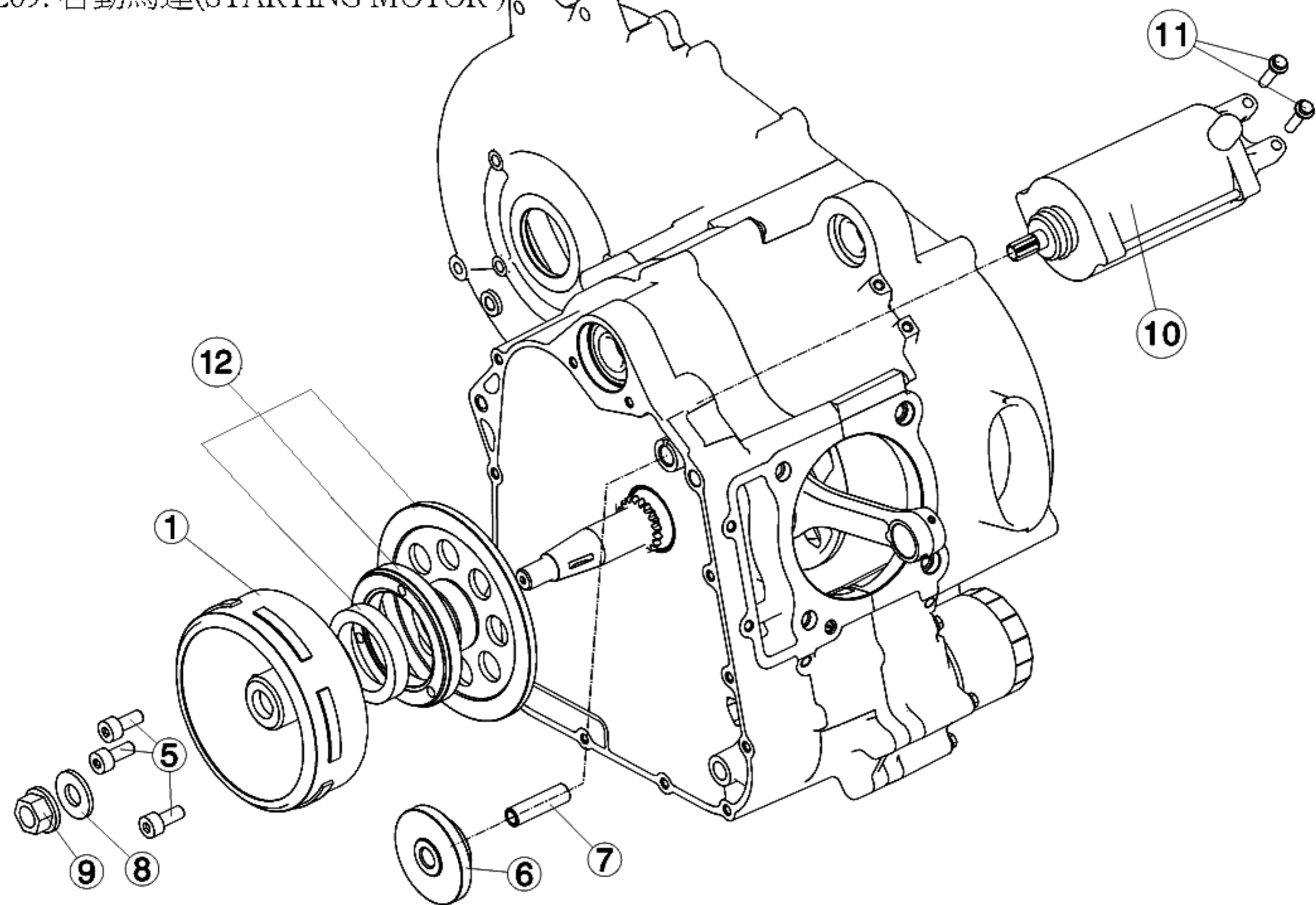
E07. 左邊蓋(ENGINE COVER)



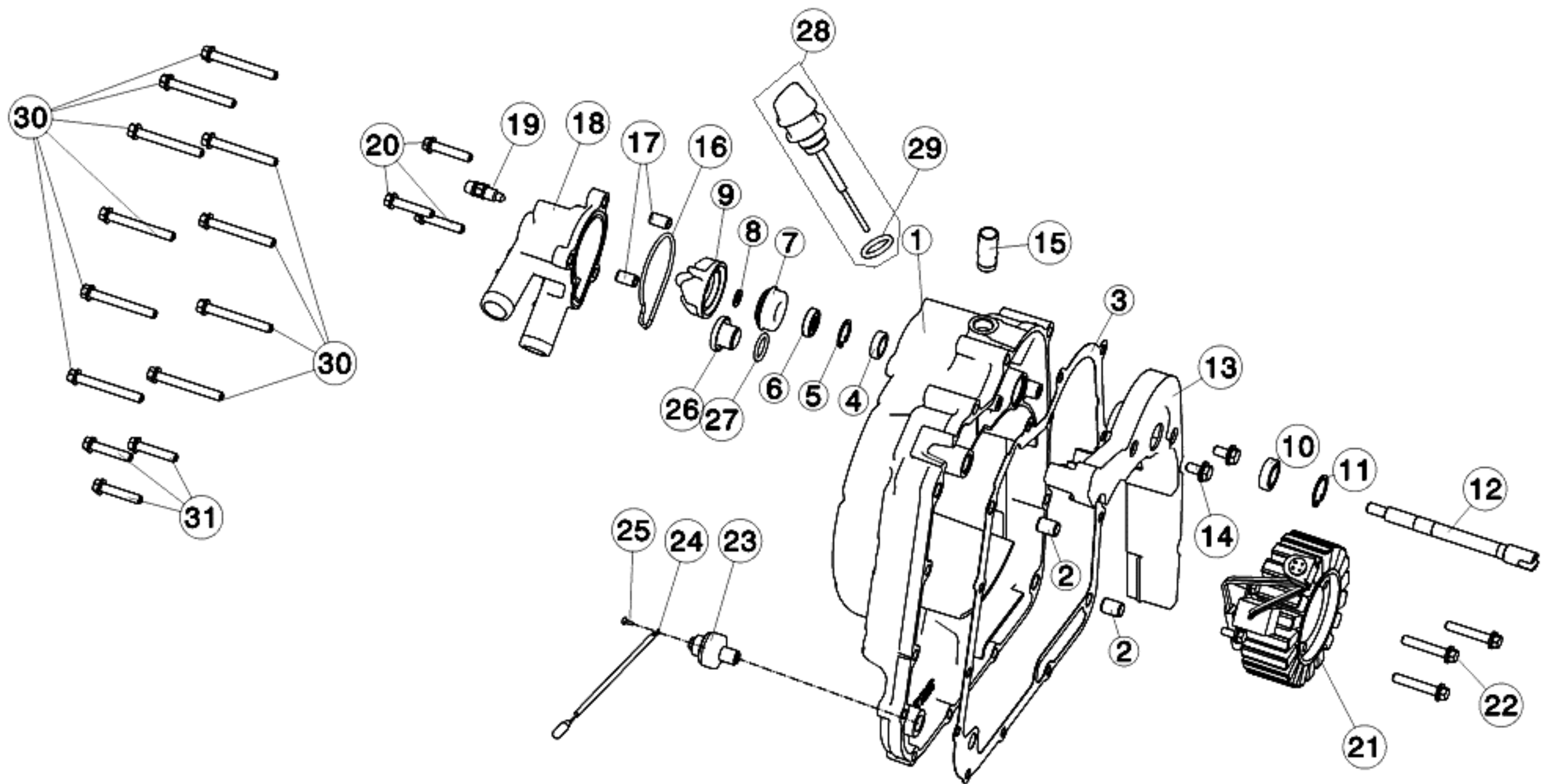
E08. 機油泵總成(OIL PUMP ASSY)



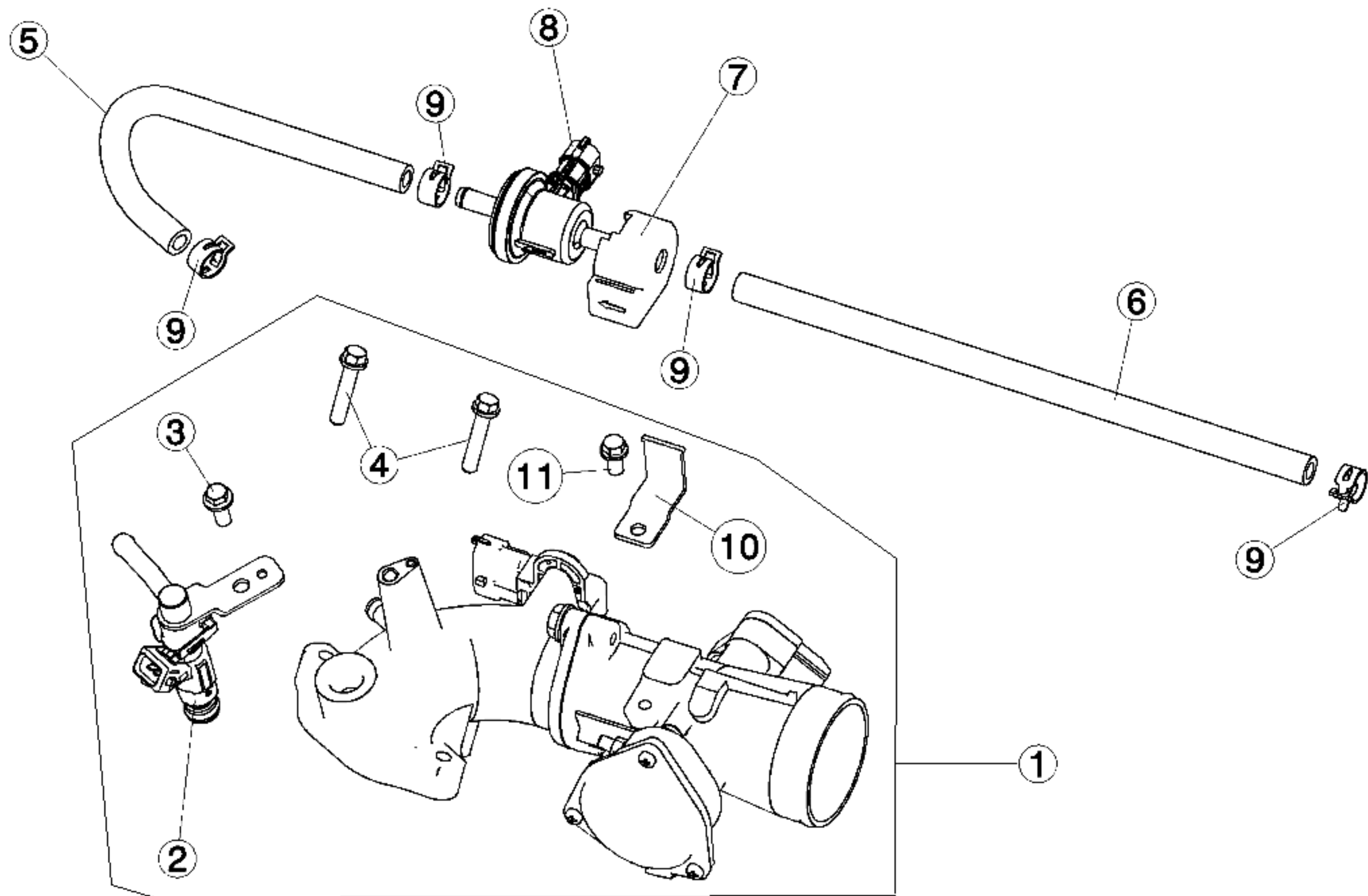
E09. 啓動馬達(STARTING MOTOR)



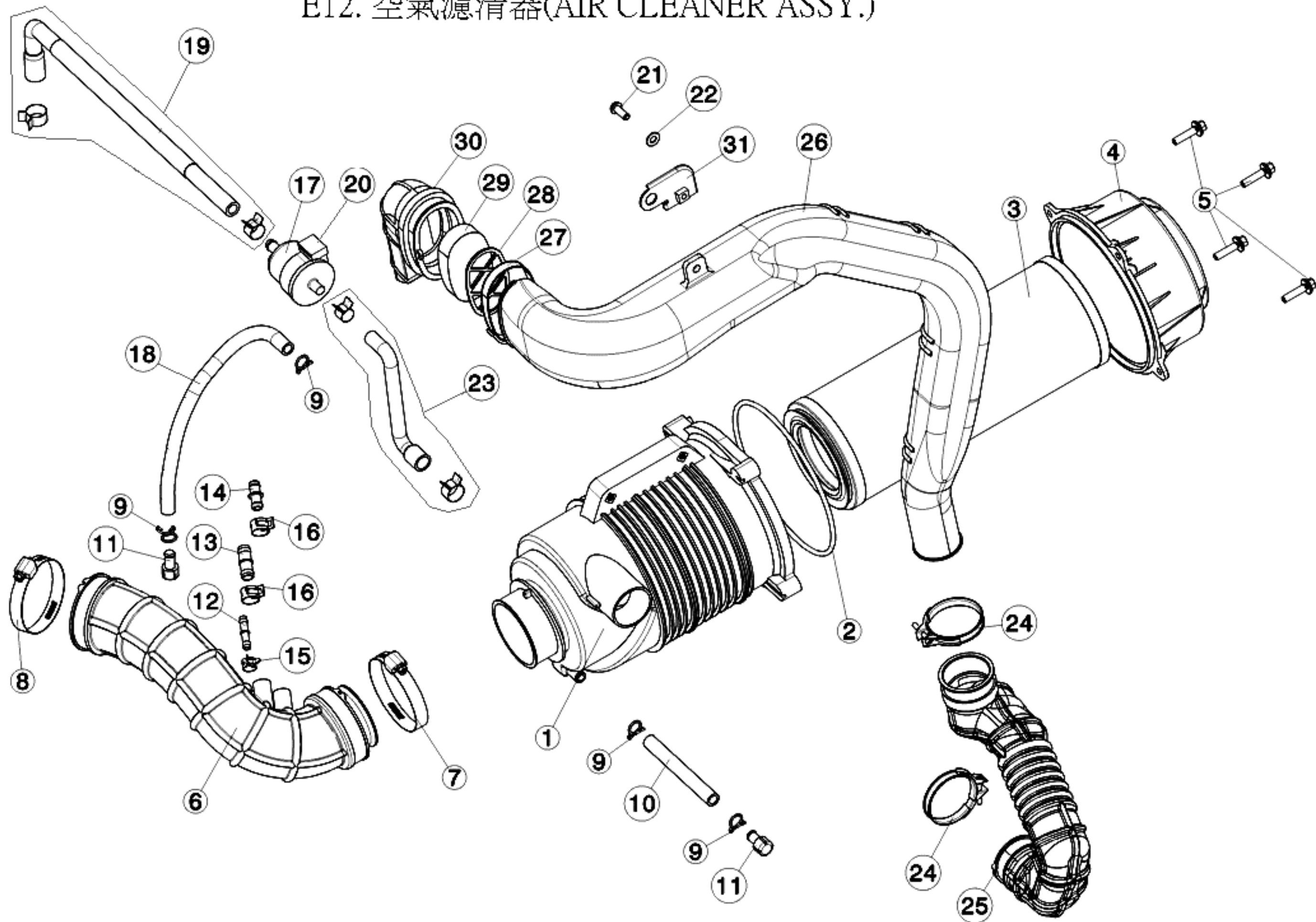
E10. 右曲軸箱蓋(CRANKCASE COVER ,RH ,PLAIN)



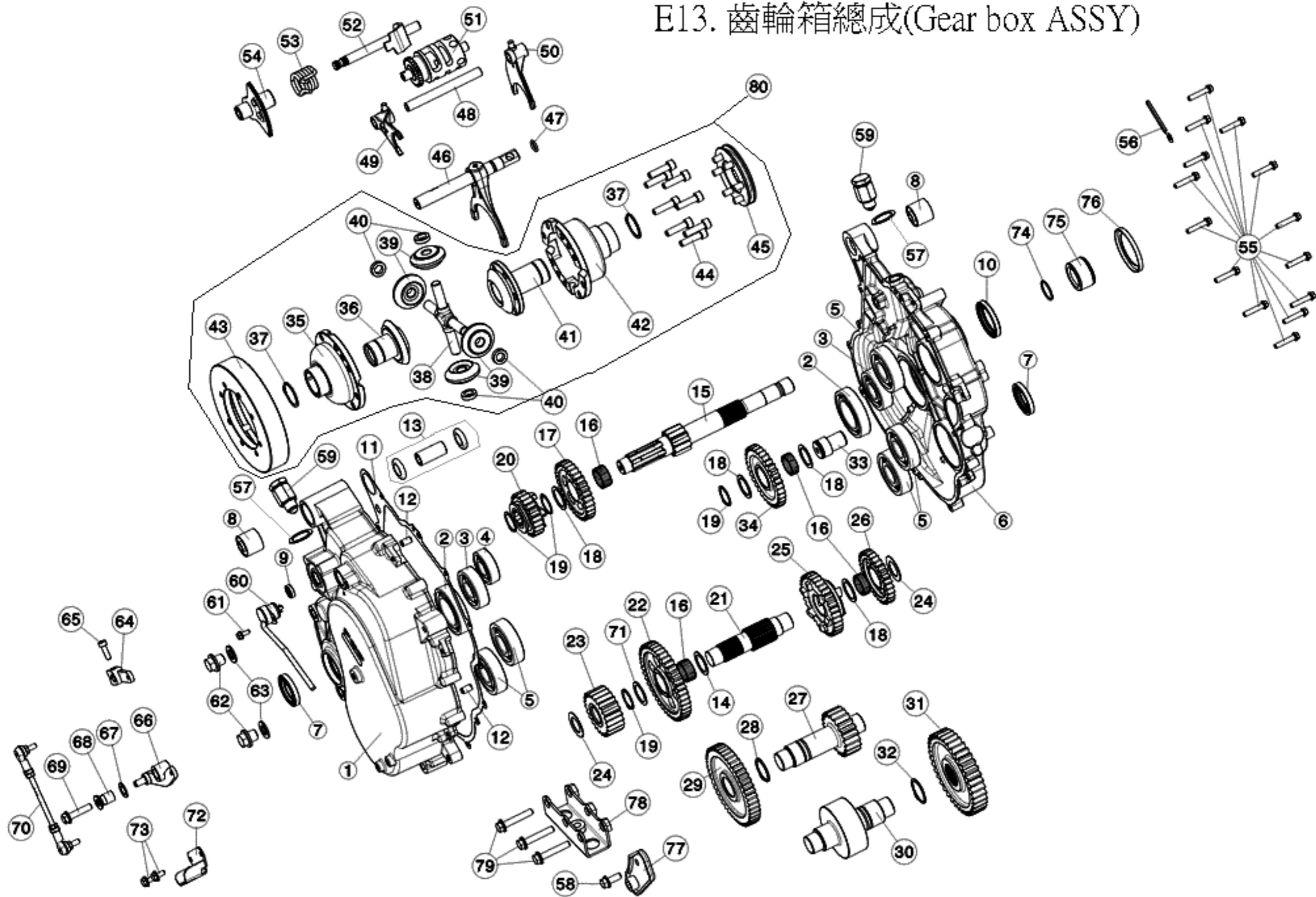
E11. 節流閥本體(THROTTLE BODY)



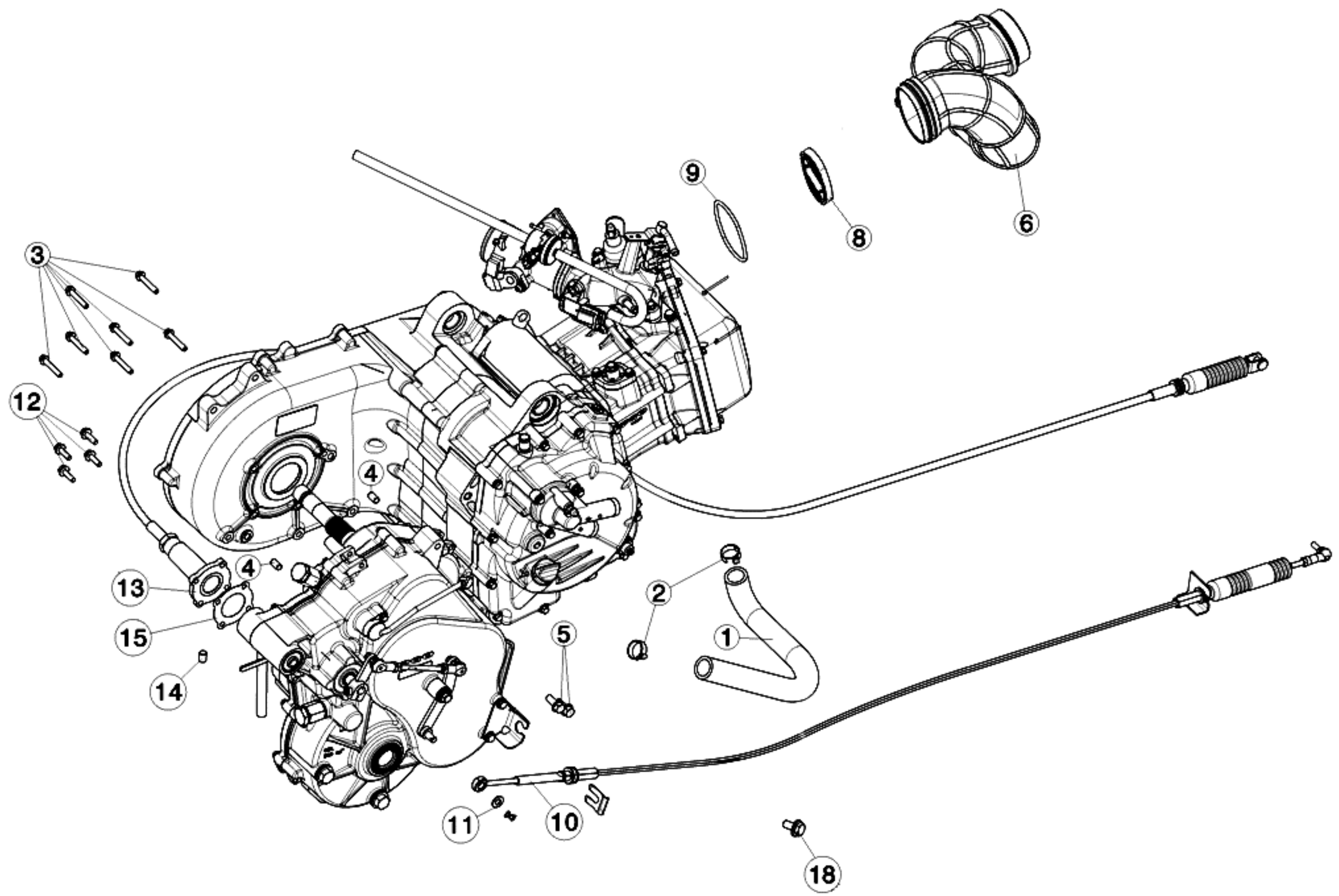
E12. 空氣濾清器(AIR CLEANER ASSY.)



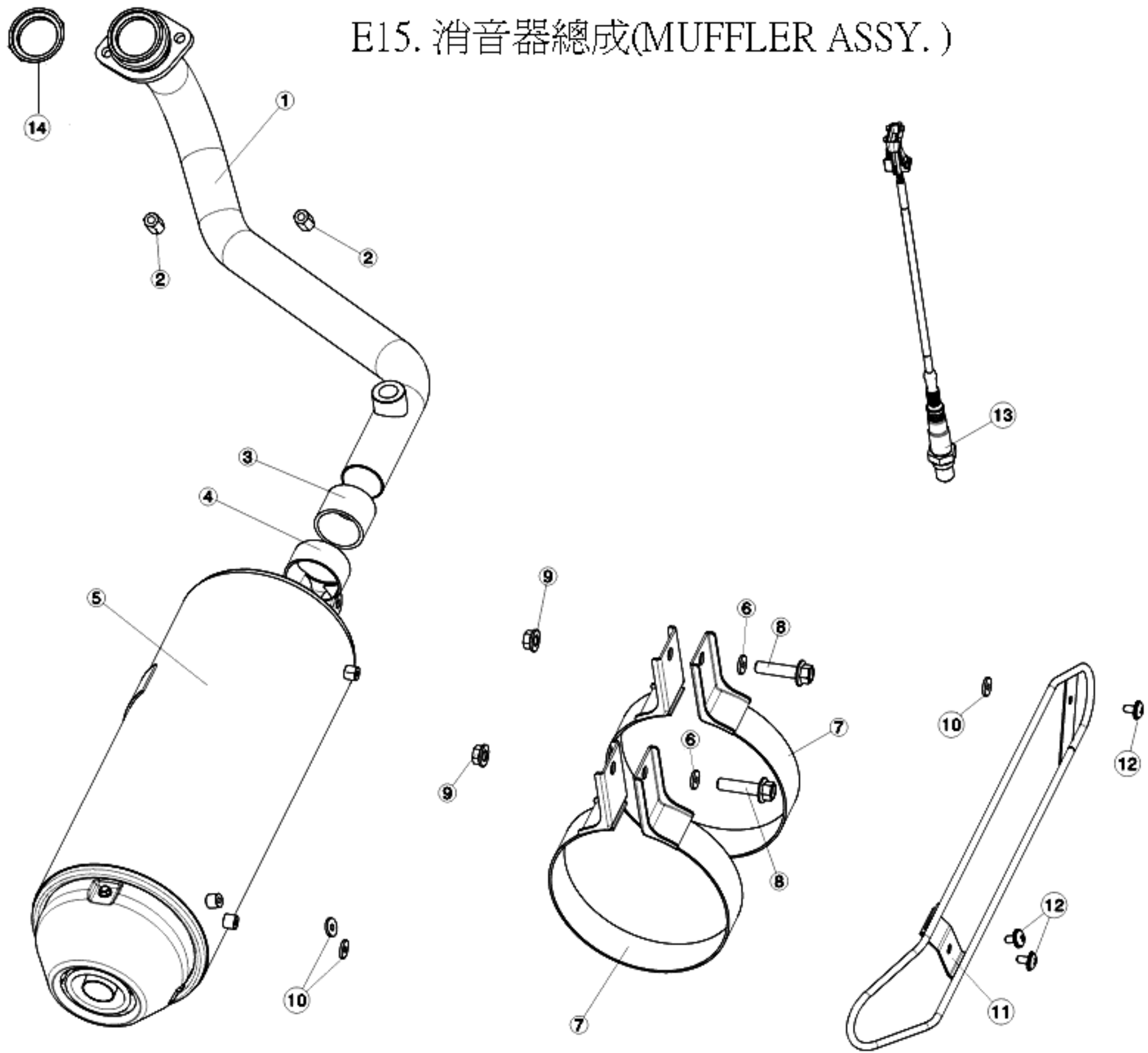
E13. 齒輪箱總成(Gear box ASSY)



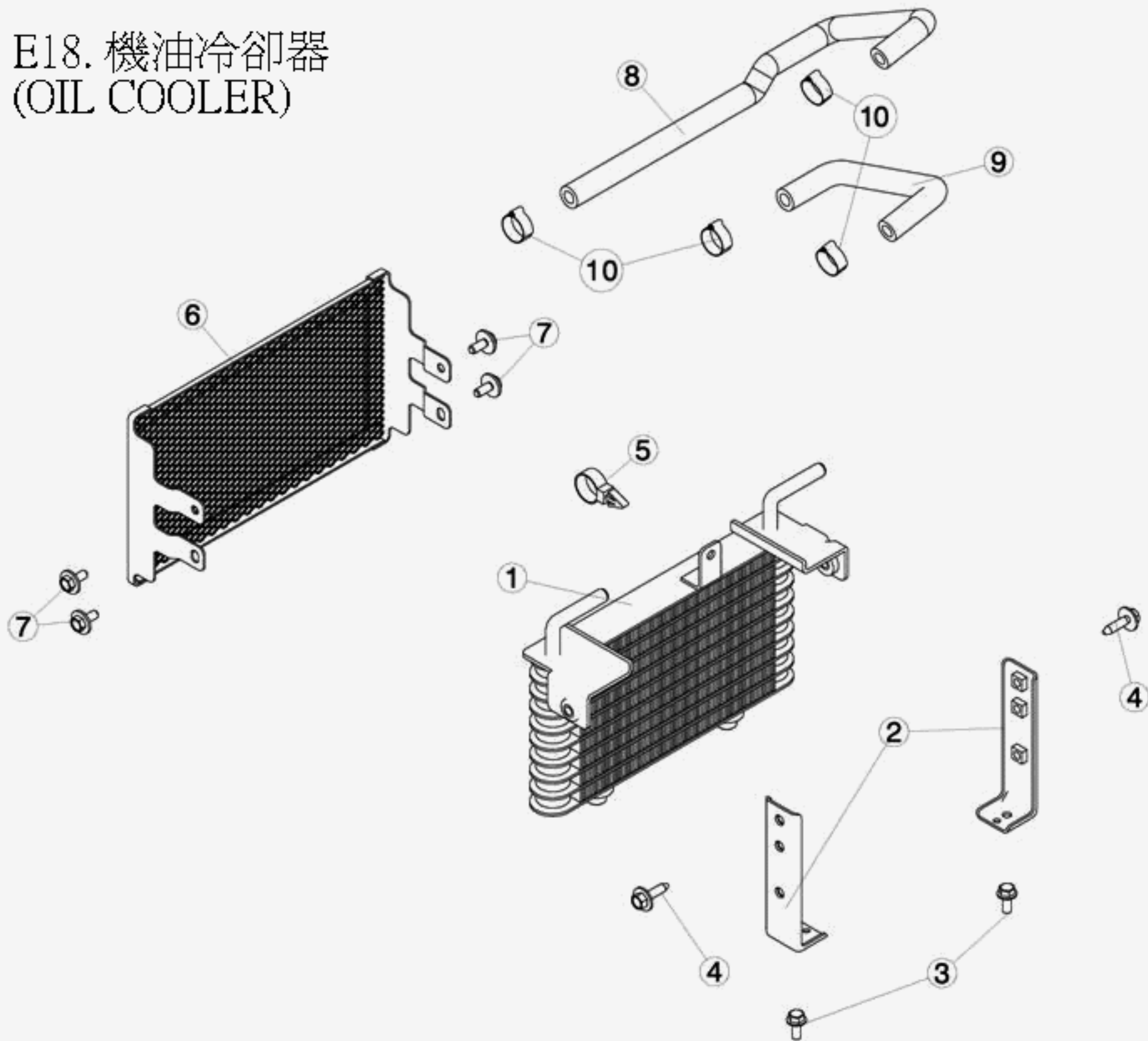
E14. 差速導線總成(DIFFERENTIAL LOCK CABLE)



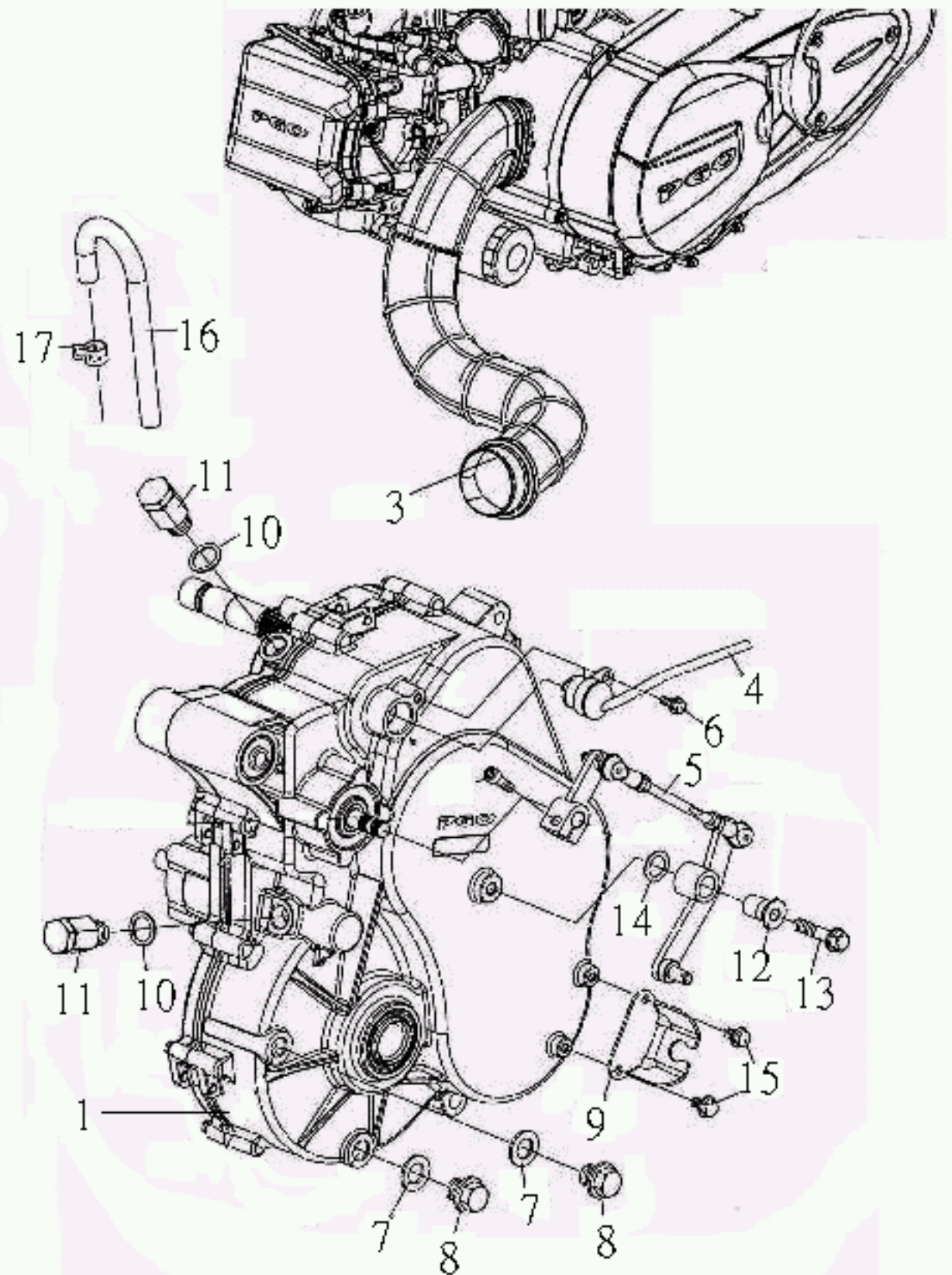
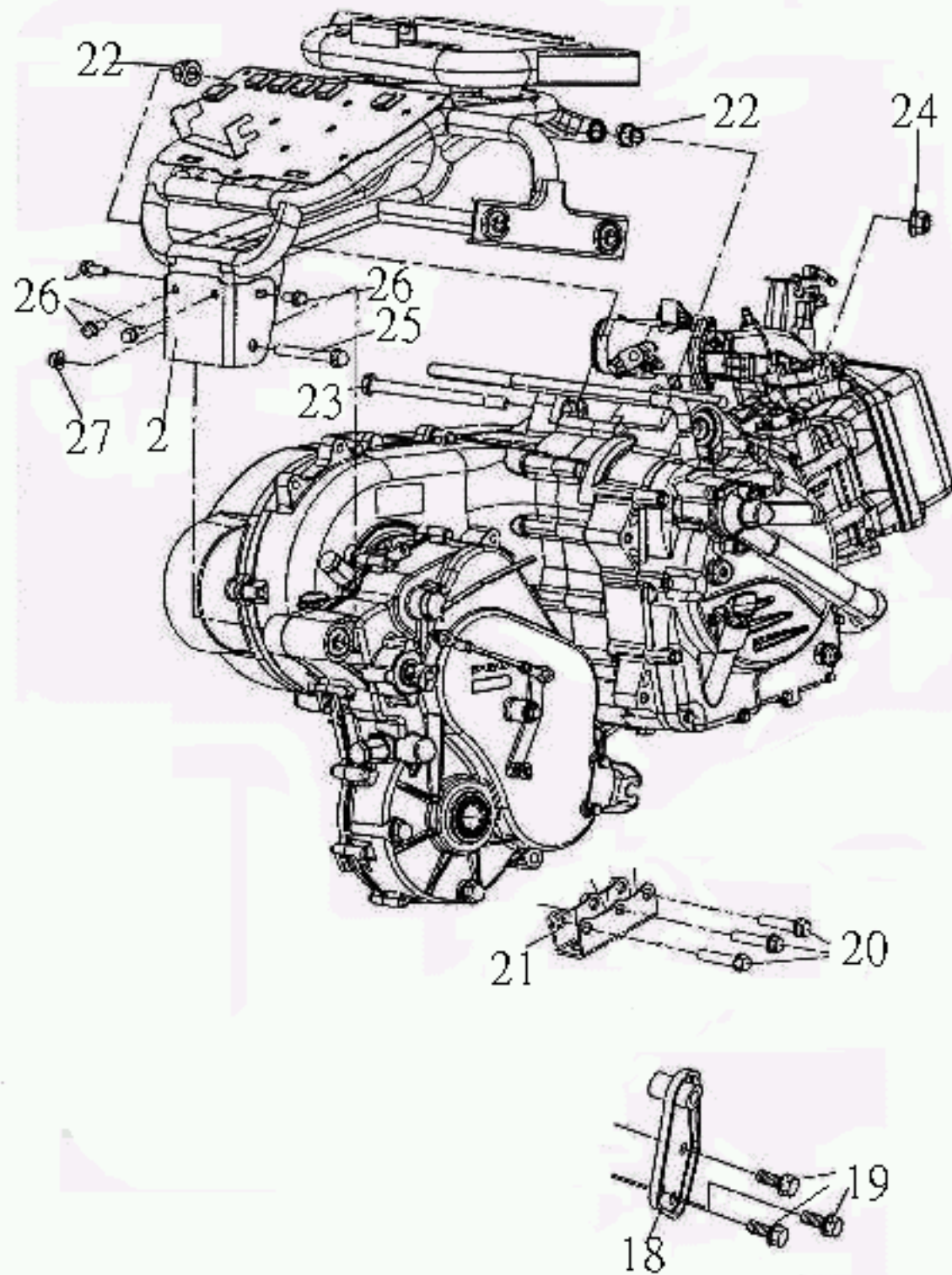
E15. 消音器總成(MUFFLER ASSY.)



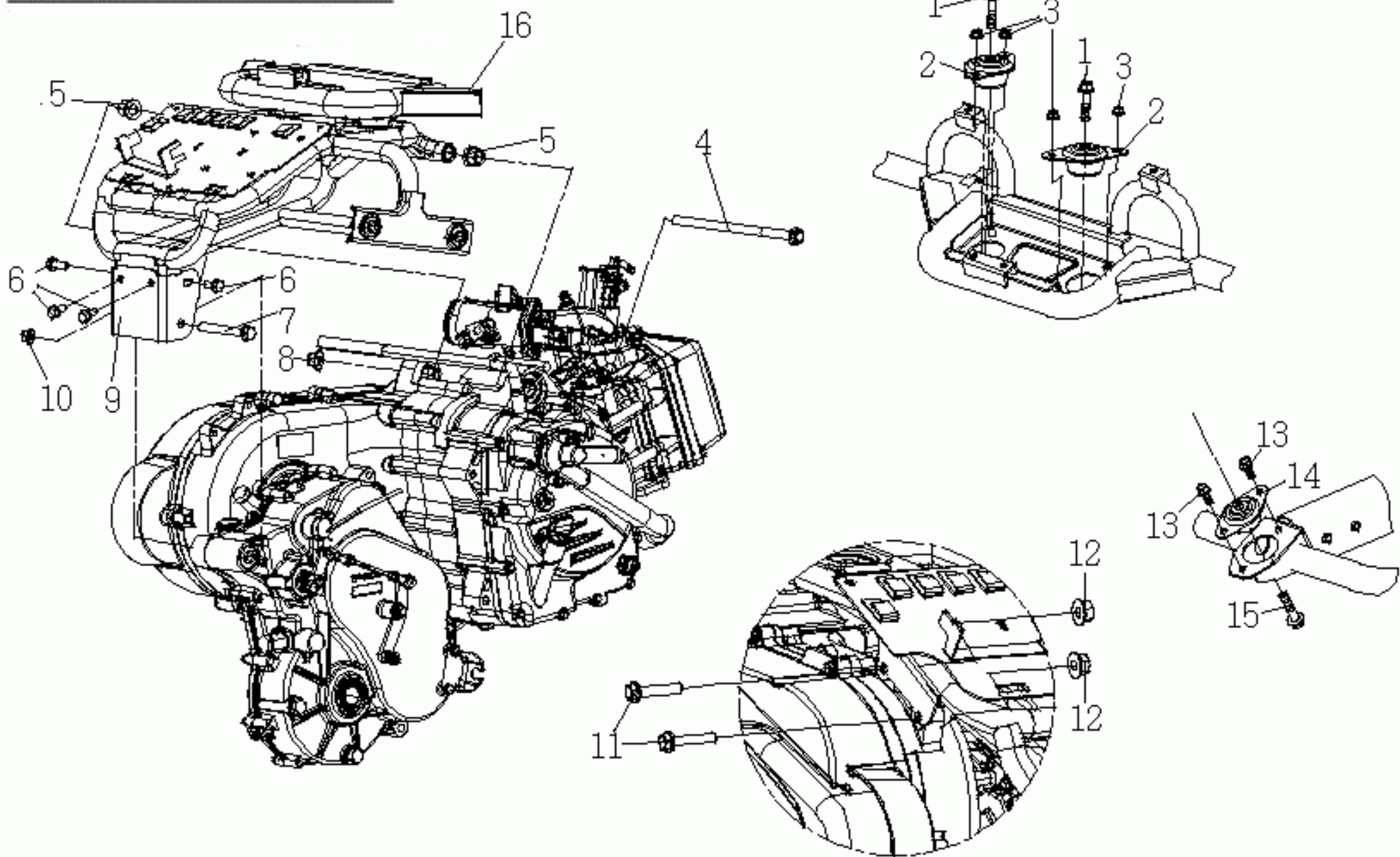
E18. 機油冷卻器 (OIL COOLER)



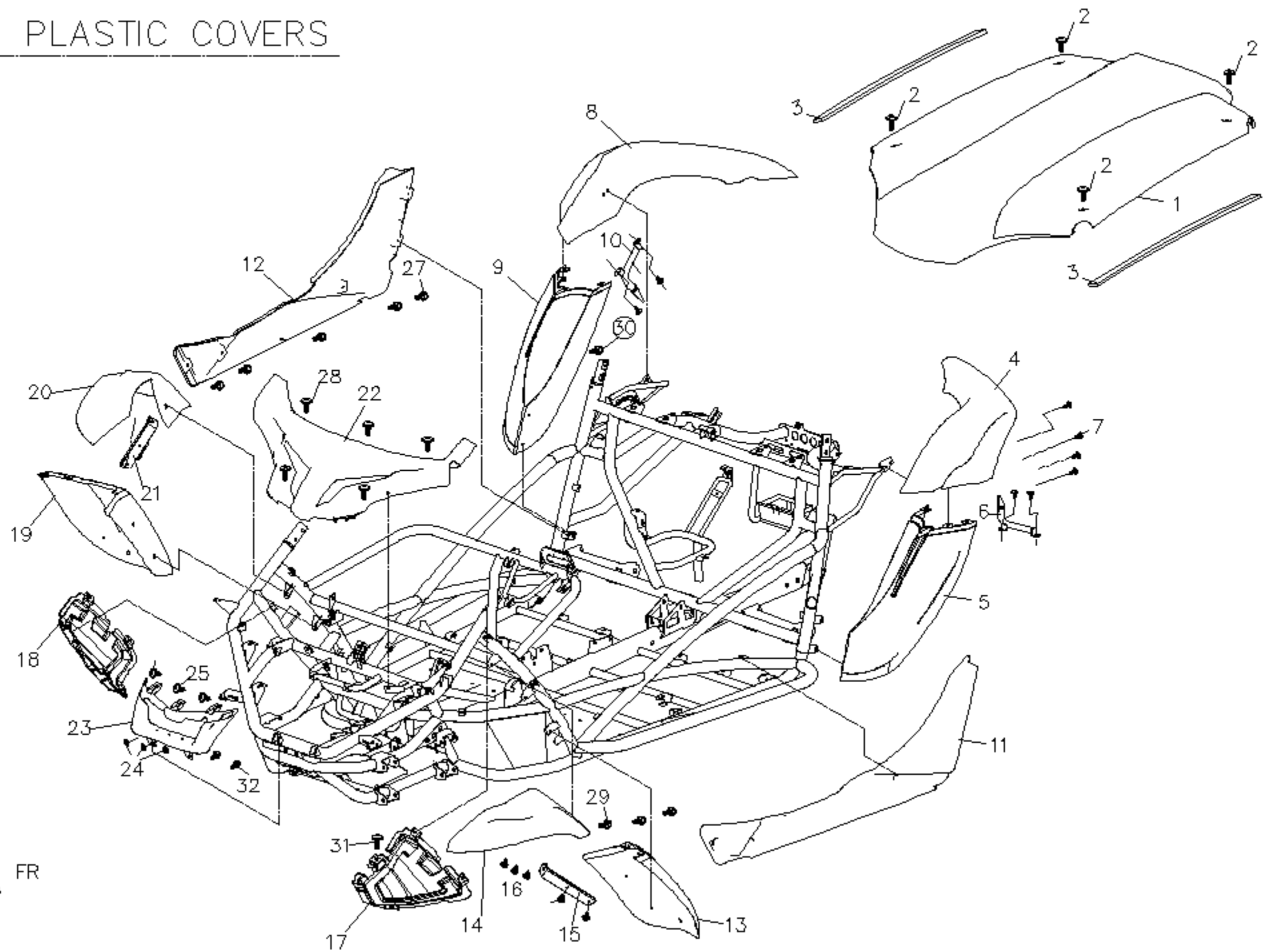
F1. SOLENOID VALVE ASSY.



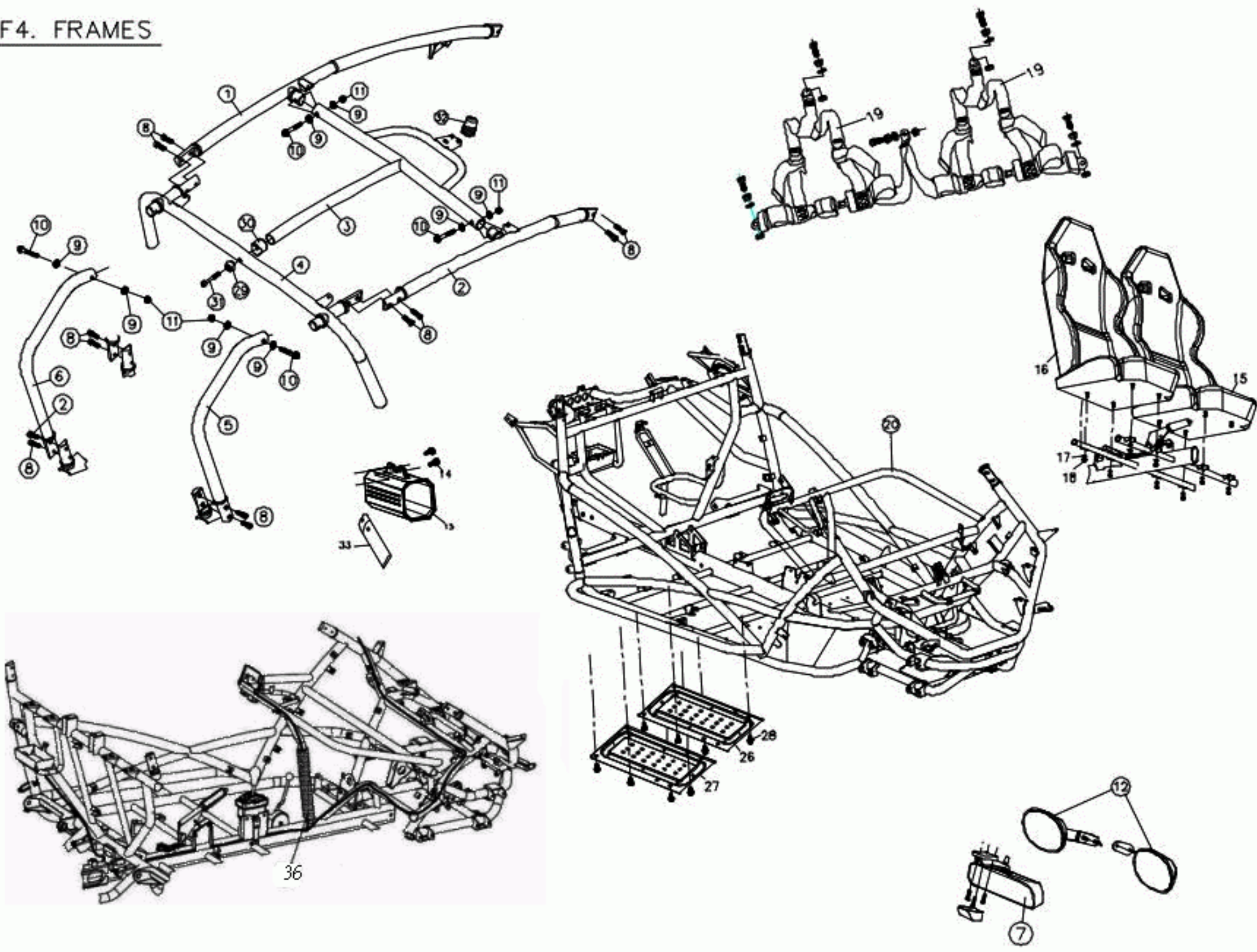
F2. ENGINE HANGER/ MUFFLER



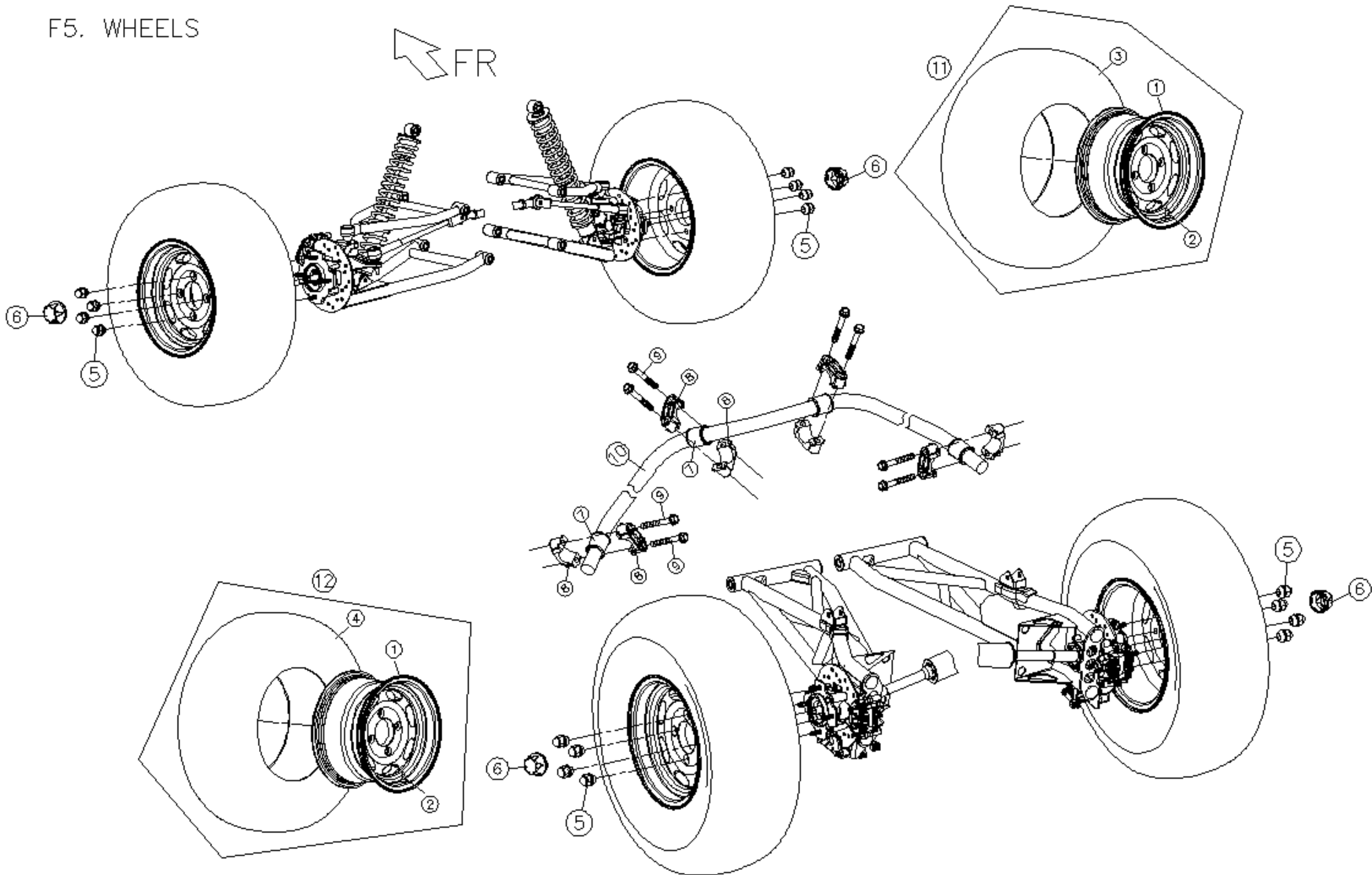
F3. PLASTIC COVERS



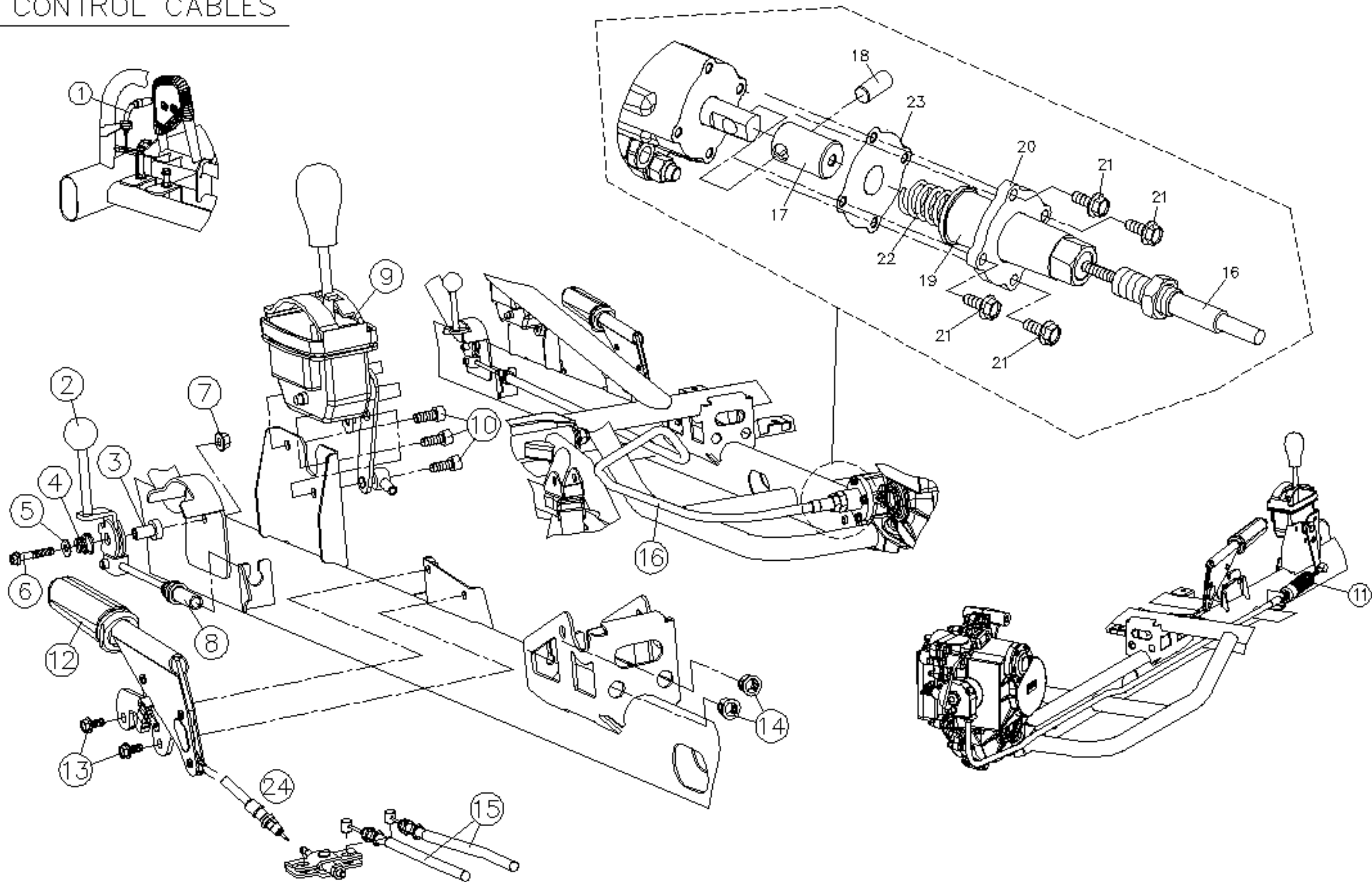
F4. FRAMES



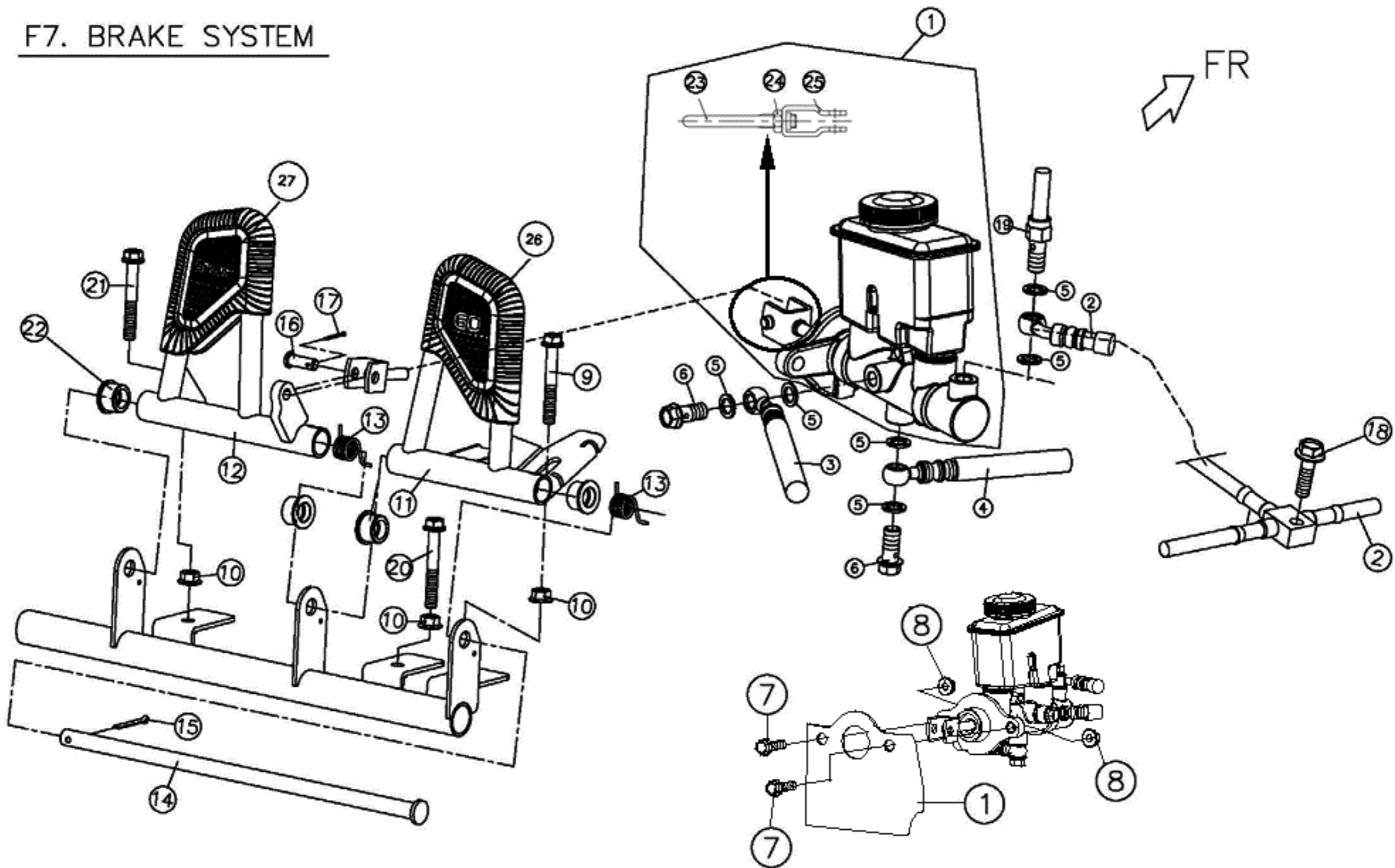
F5. WHEELS



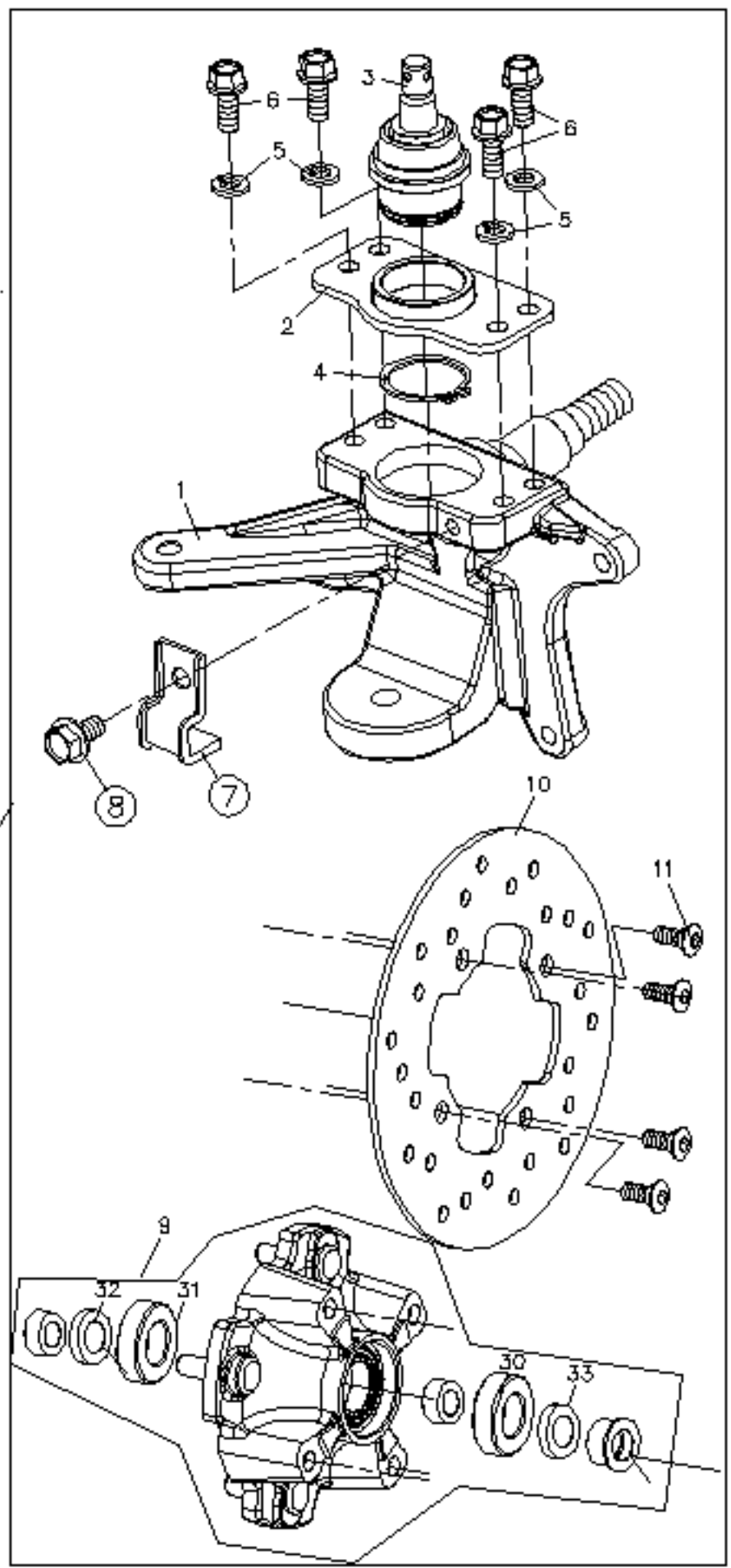
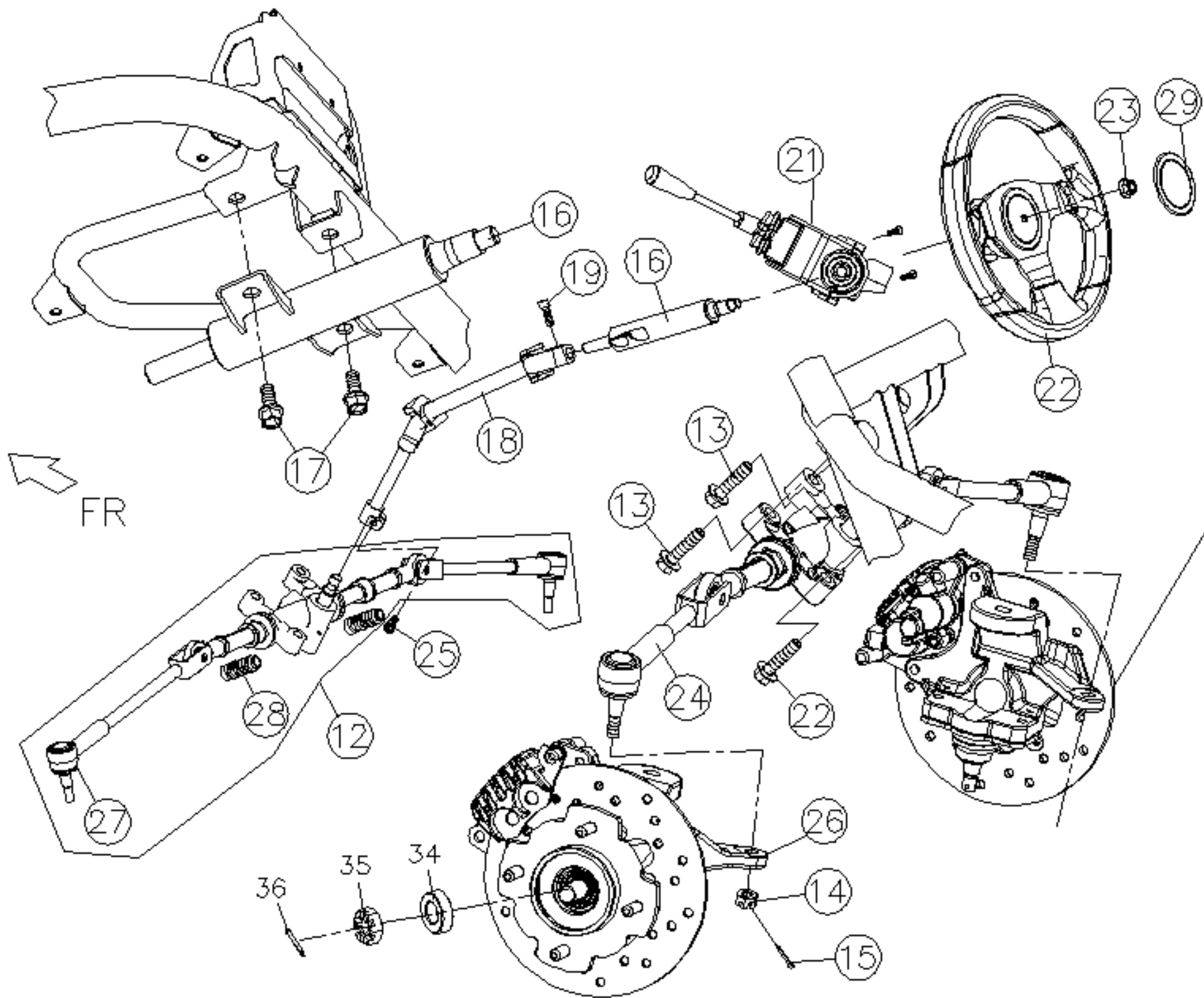
F6. CONTROL CABLES



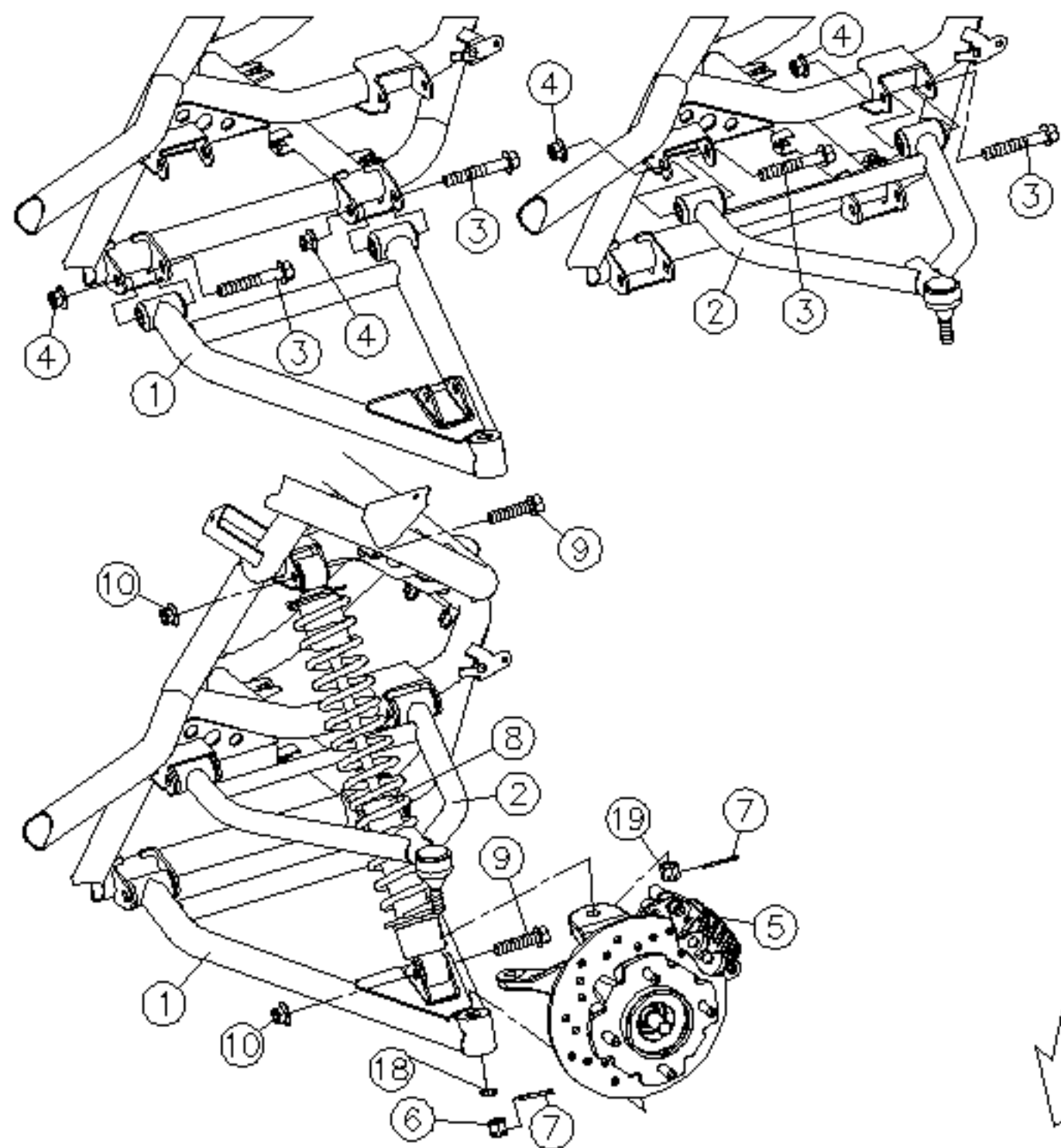
F7. BRAKE SYSTEM



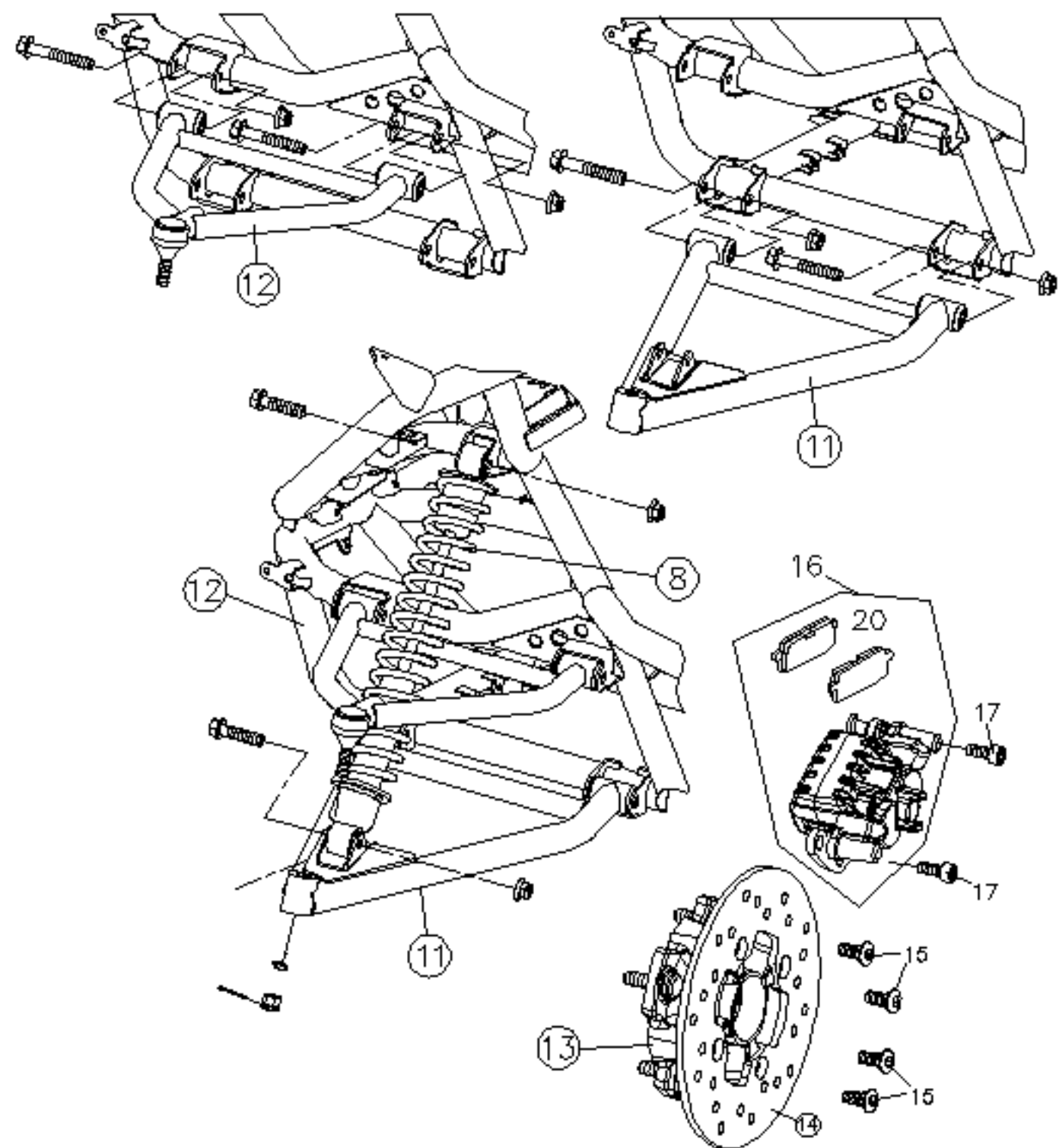
F8. STEERING MECHANISM



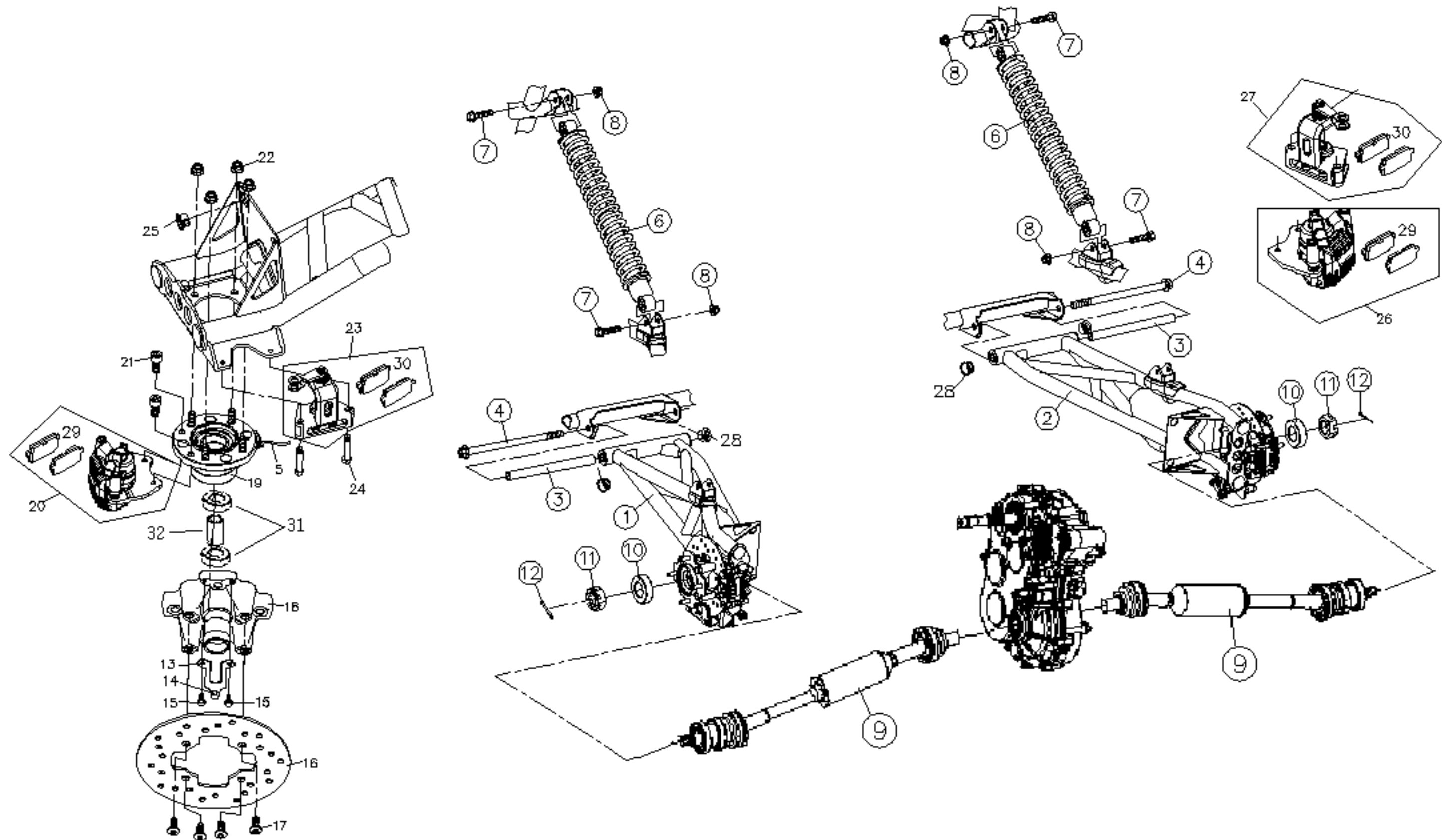
F9. SWING A ARMS



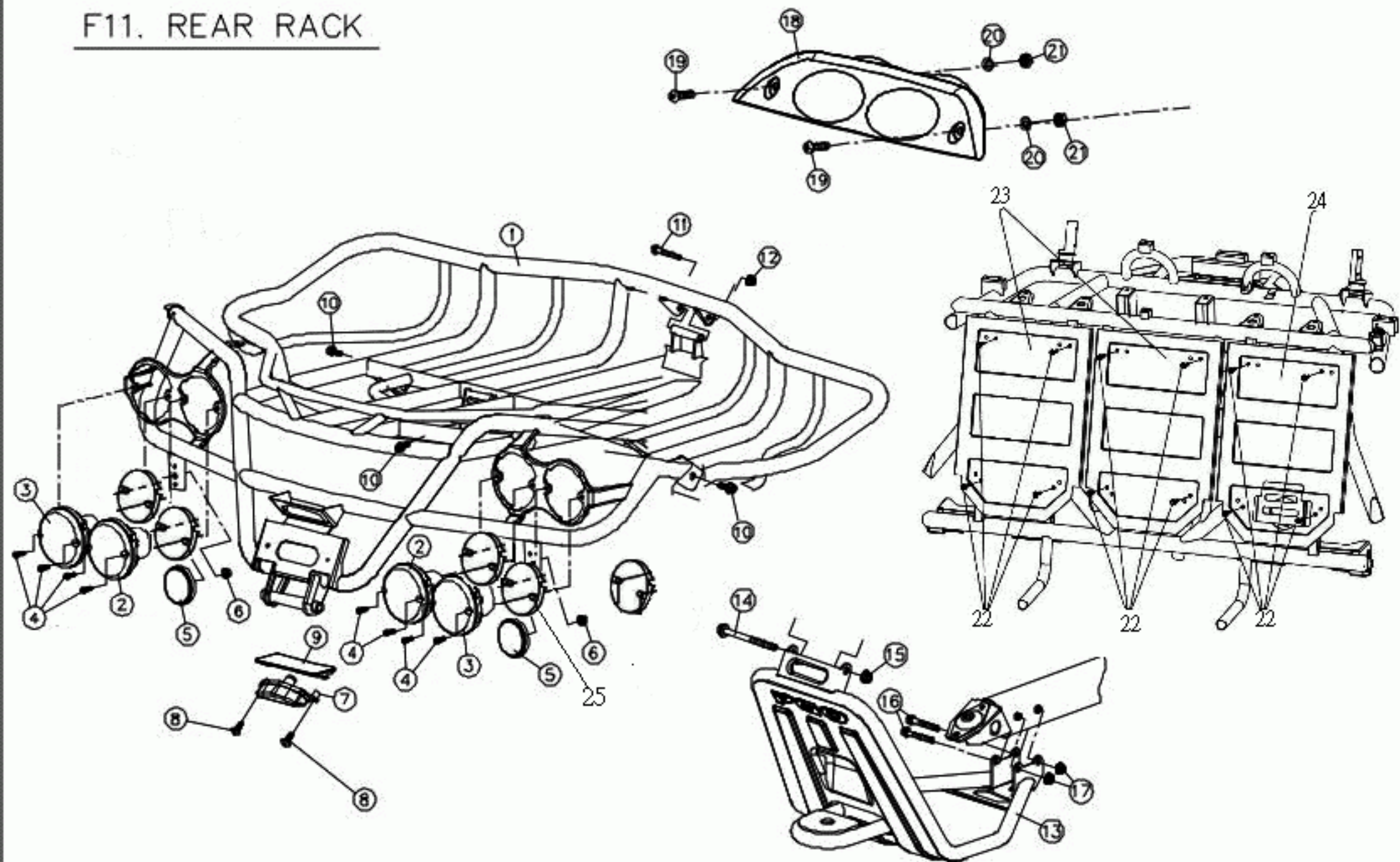
FR



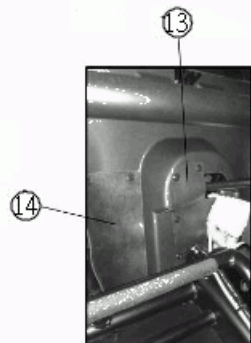
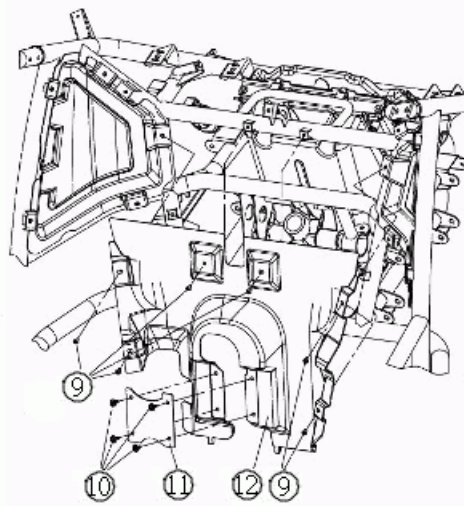
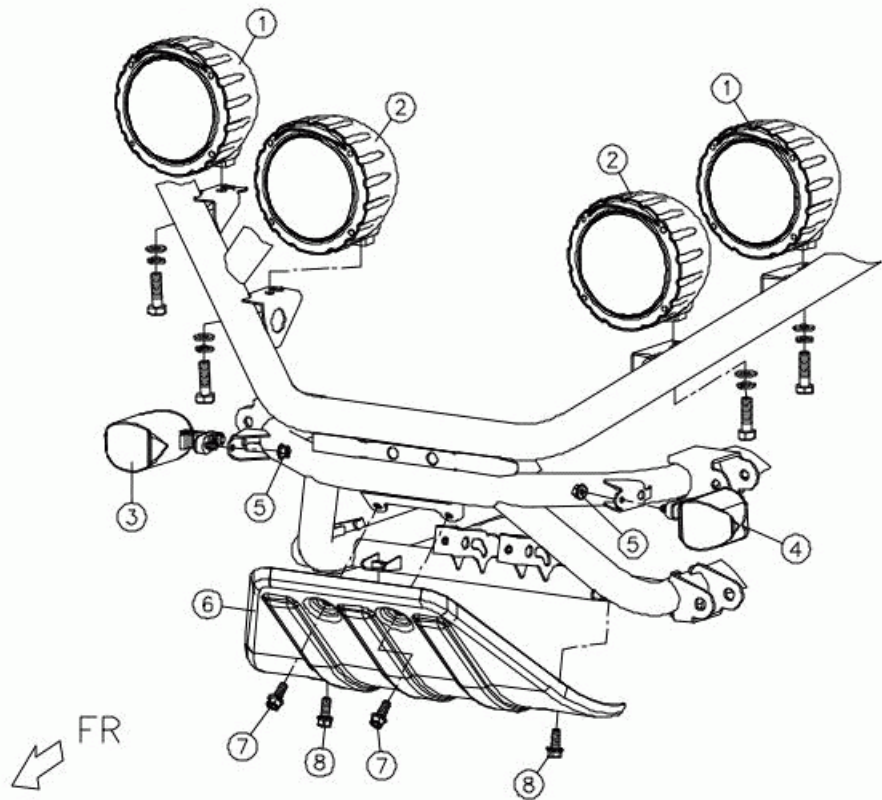
F10. DRIVING SHAFT, ABSORBER



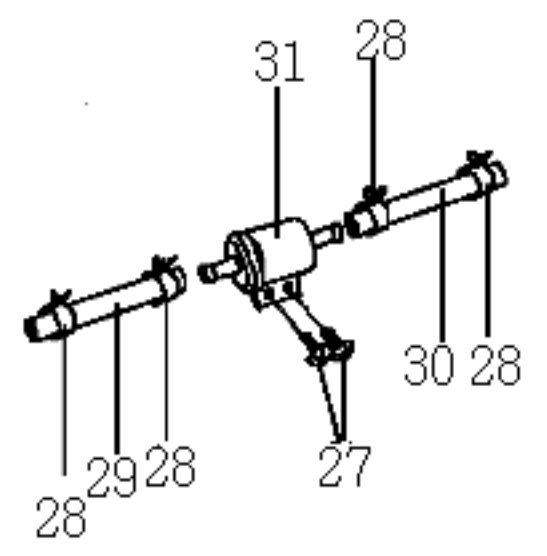
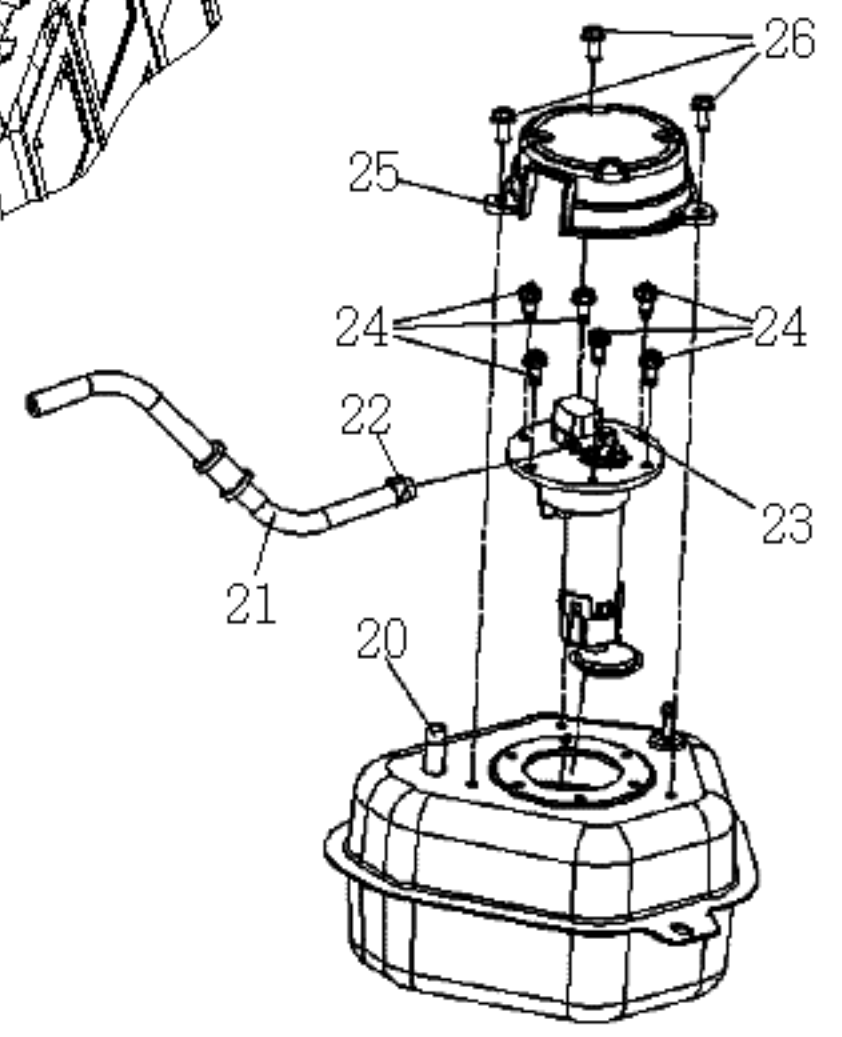
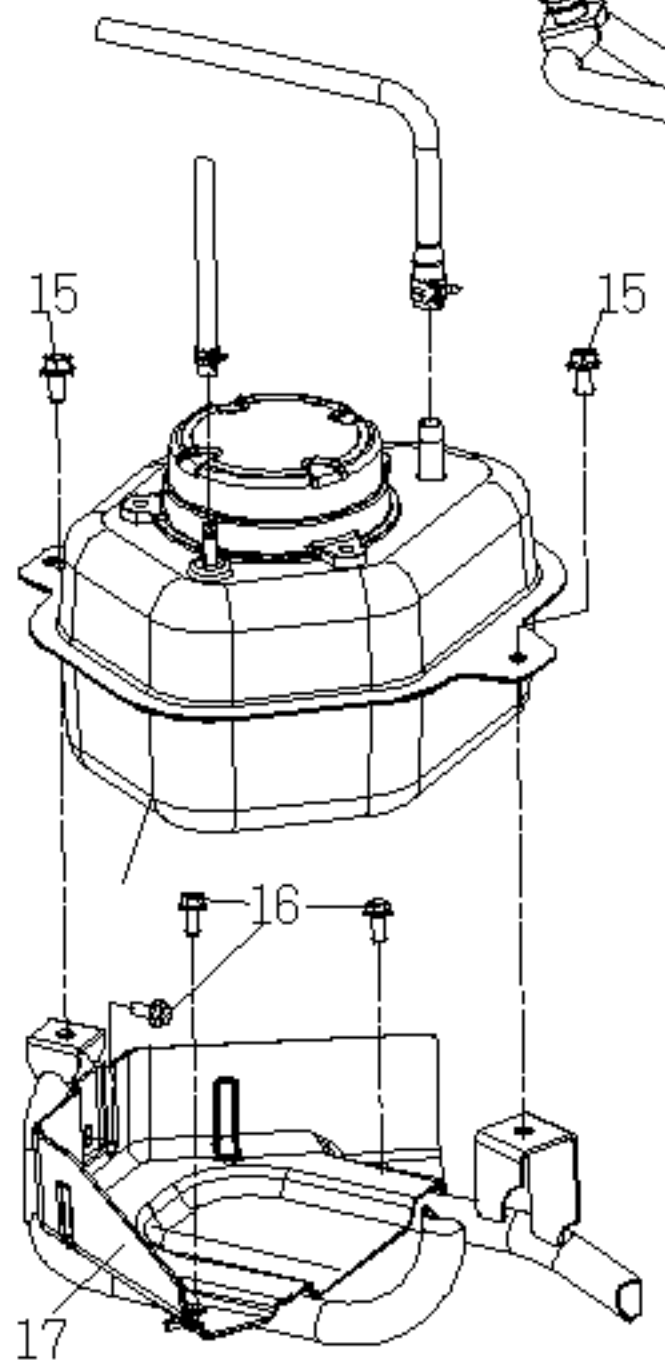
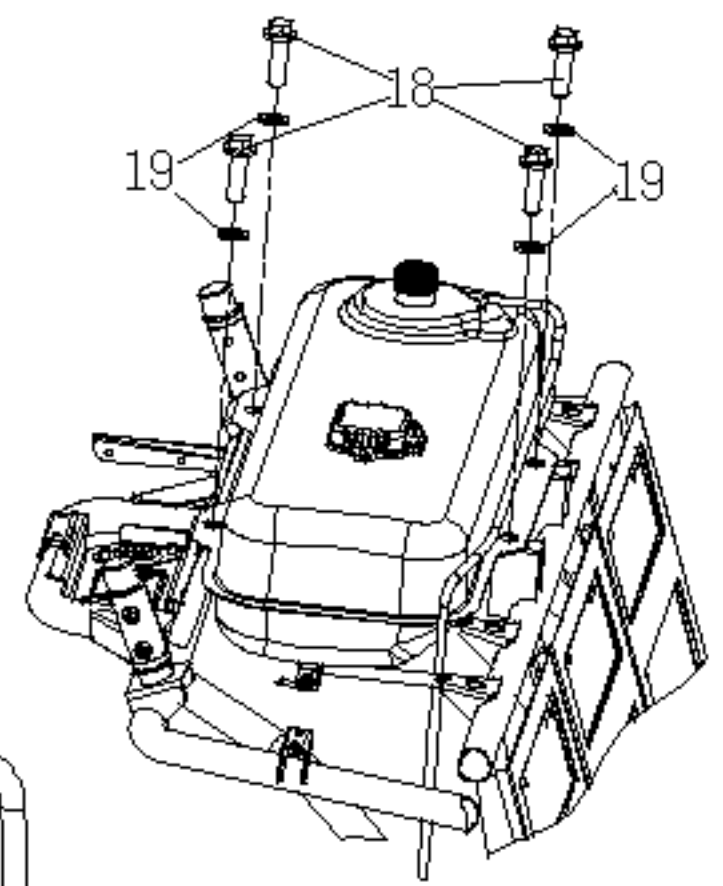
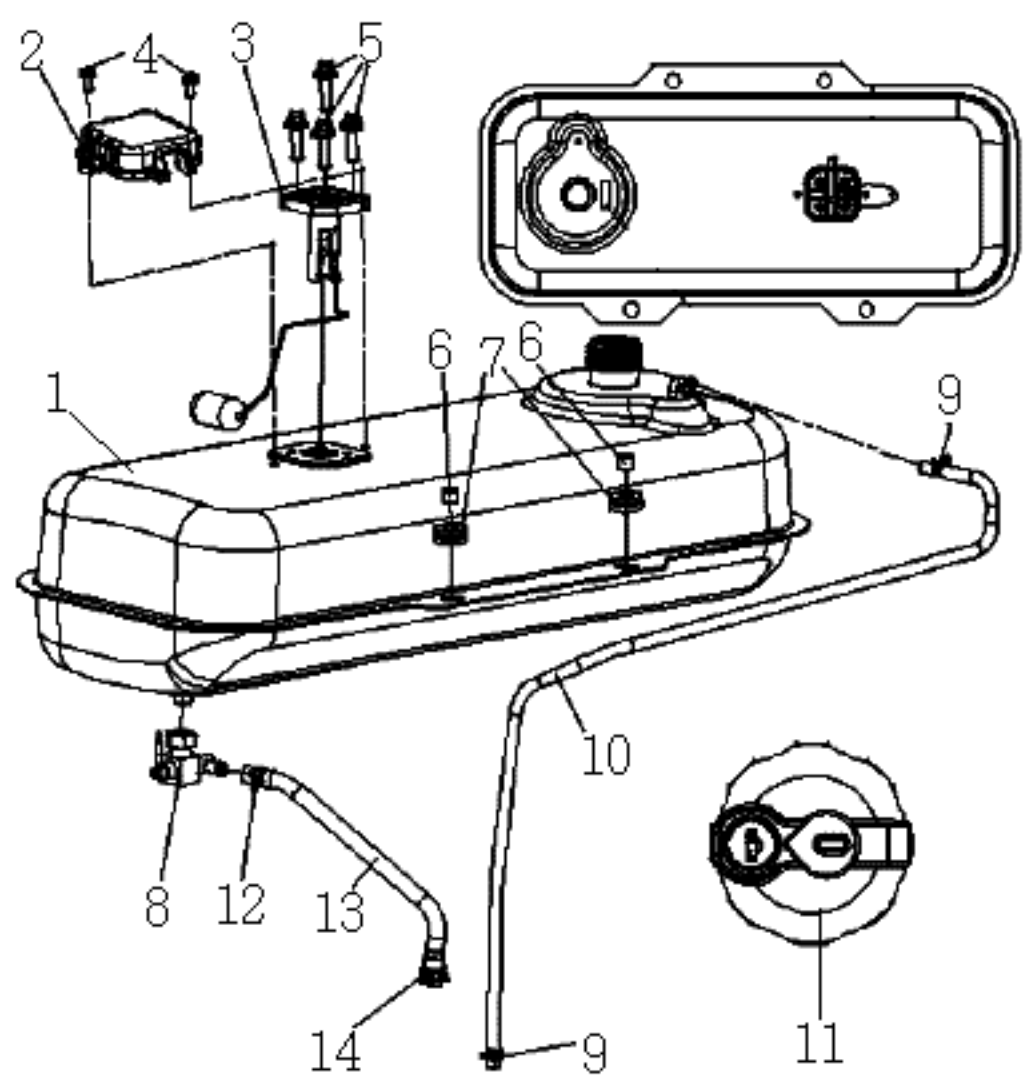
F11. REAR RACK



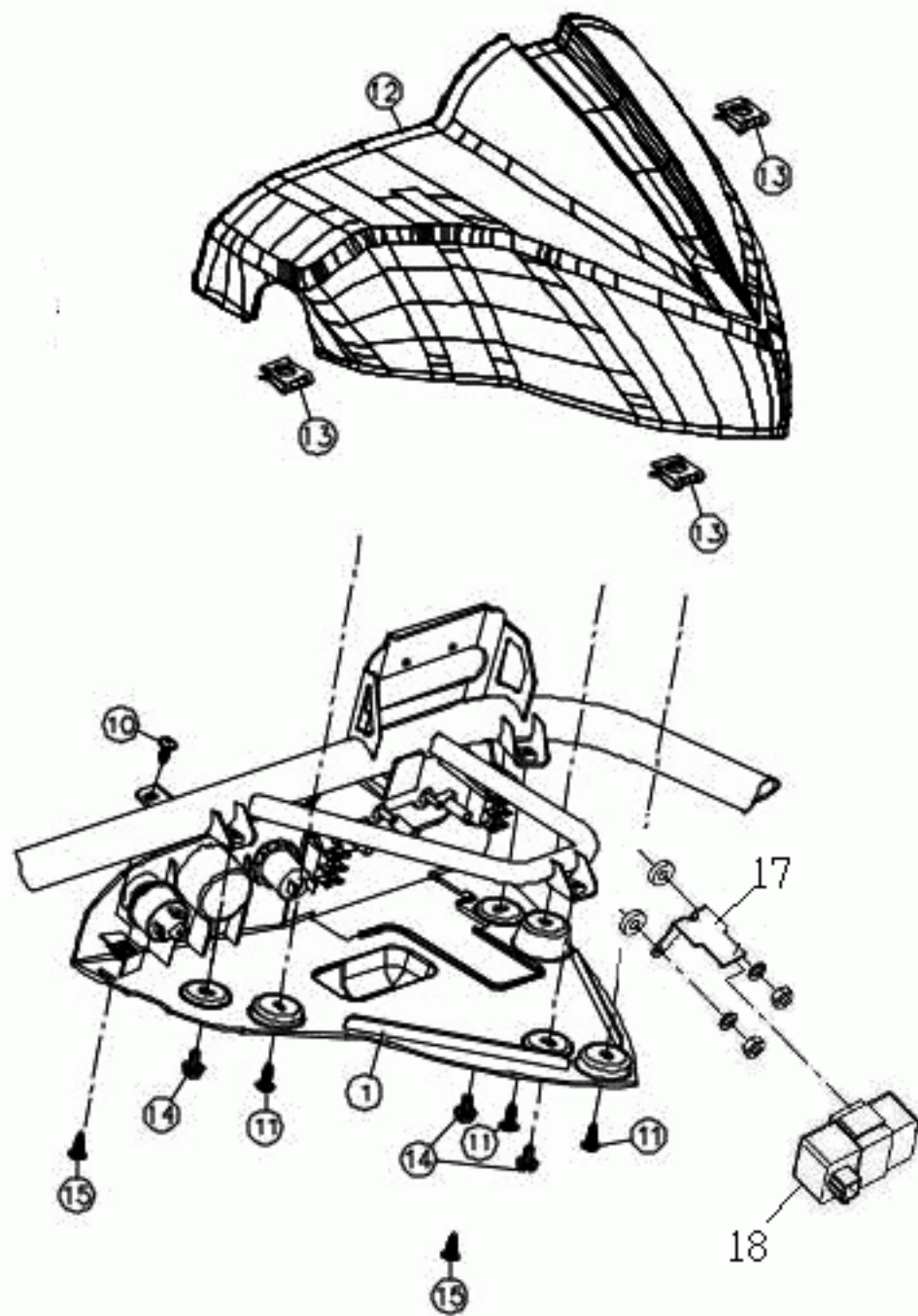
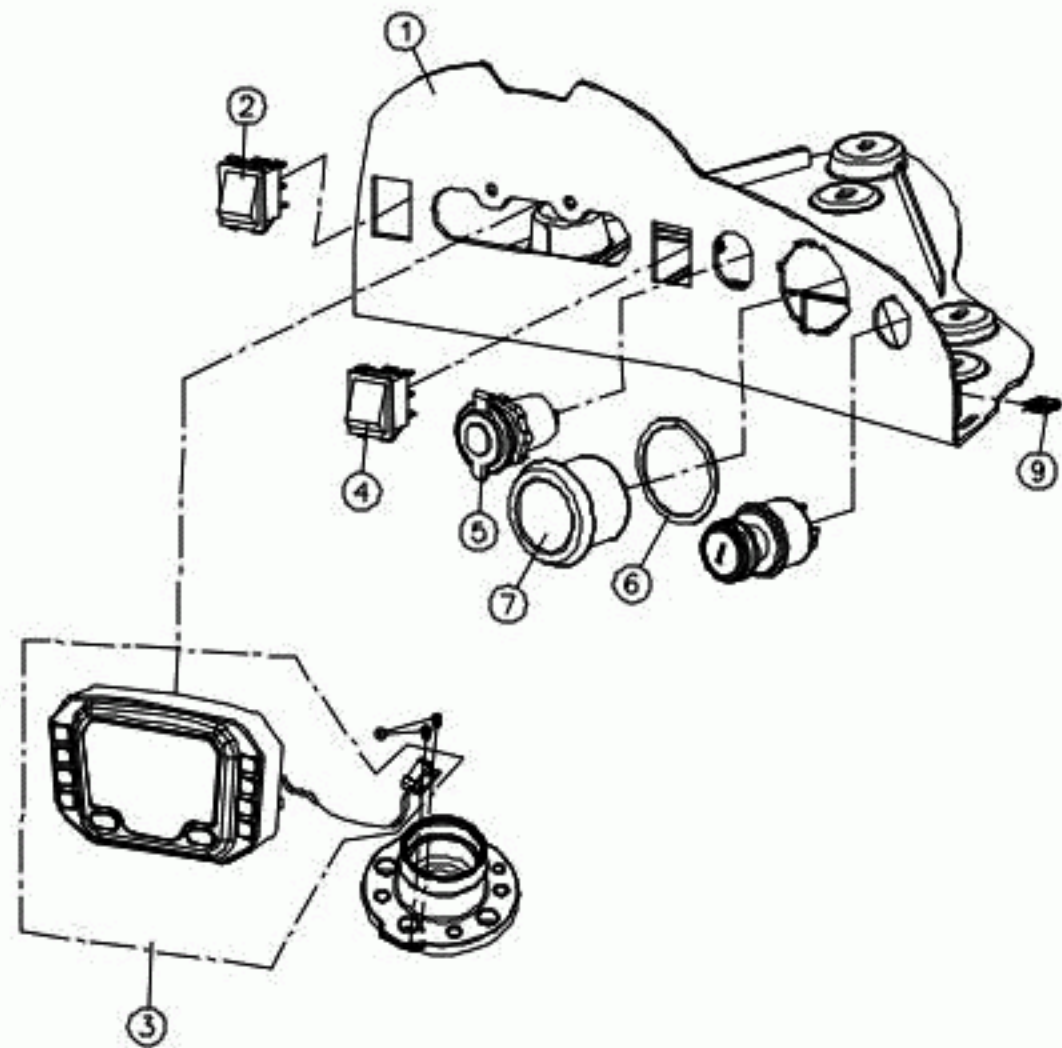
F12. FRONT BUMPER, HEAD LAMP



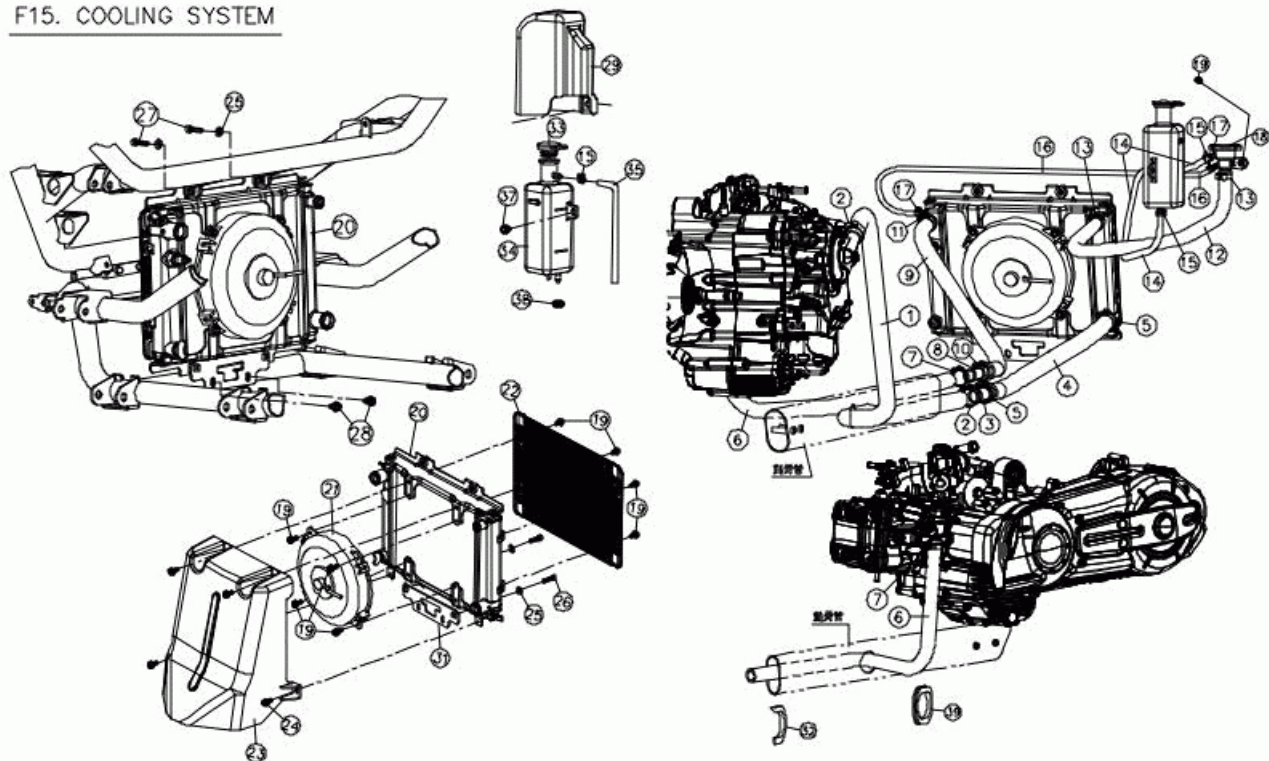
F13. FUEL TANK, PUMP



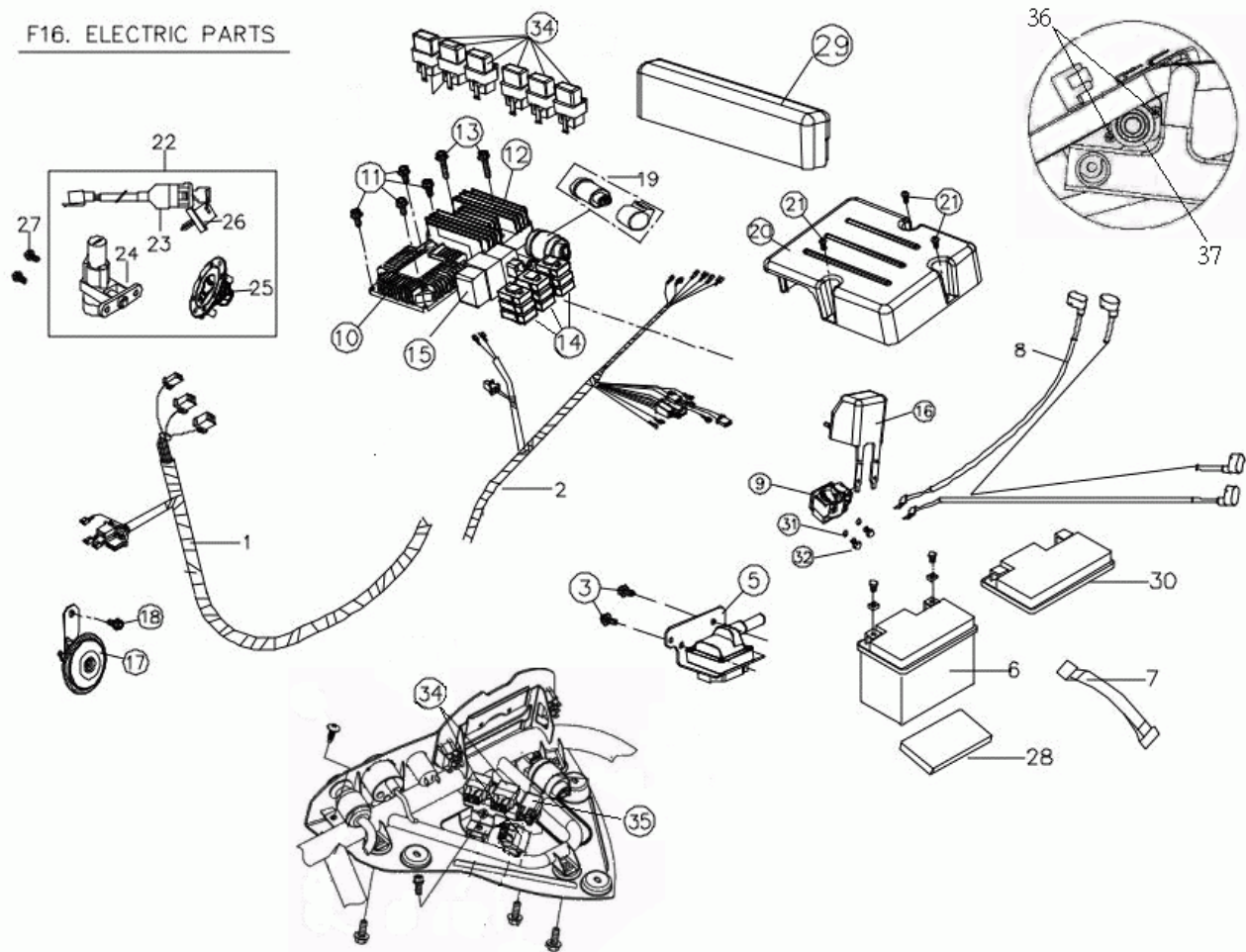
F14. DASHBOARD , COVER



F15. COOLING SYSTEM



F16. ELECTRIC PARTS



BR-600 LABELS



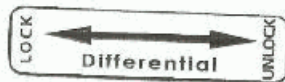
1



2



3



5



6



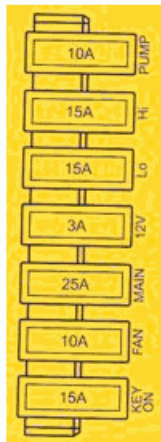
7

ATTENTION :

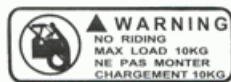
• DO NOT attempt to change the GEARS unless the vehicle is completely stationary, otherwise you will damage the gearbox.

• Ne pas tenter de changer de vitesse, à moins que le véhicule s'arrête complètement, sinon vous risquez d'endommager la boîte de vitesse.

8



4



9

ATTENTION

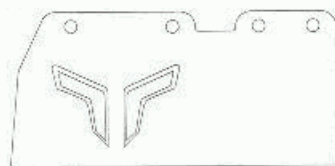
*Minimum 50% of Radiator coolant must be present.
*La plus basse proportion de la fluide de refroidissement de radiateur doit être 50%.

10

ATTENTION :

The warranty of this vehicle will be deprived or lost if MADE ANY MODIFICATION OF THE BUGGY, SUCH AS REMOVE THE ENGINE POWER RESTRICTION or TUNING THE ENGINE POWER, if VEHICLE USED FOR OFF-ROAD, PERFORM STUNTS, JUMPS.

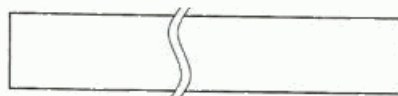
11



12



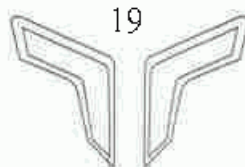
13



14



18



19

*Engine oil : 2000 c.c.

*Transmission Gear oil : 800 c.c.

15

*Huile moteur : 2000 c.c.

*Huile transmission : 800 c.c.



16



17