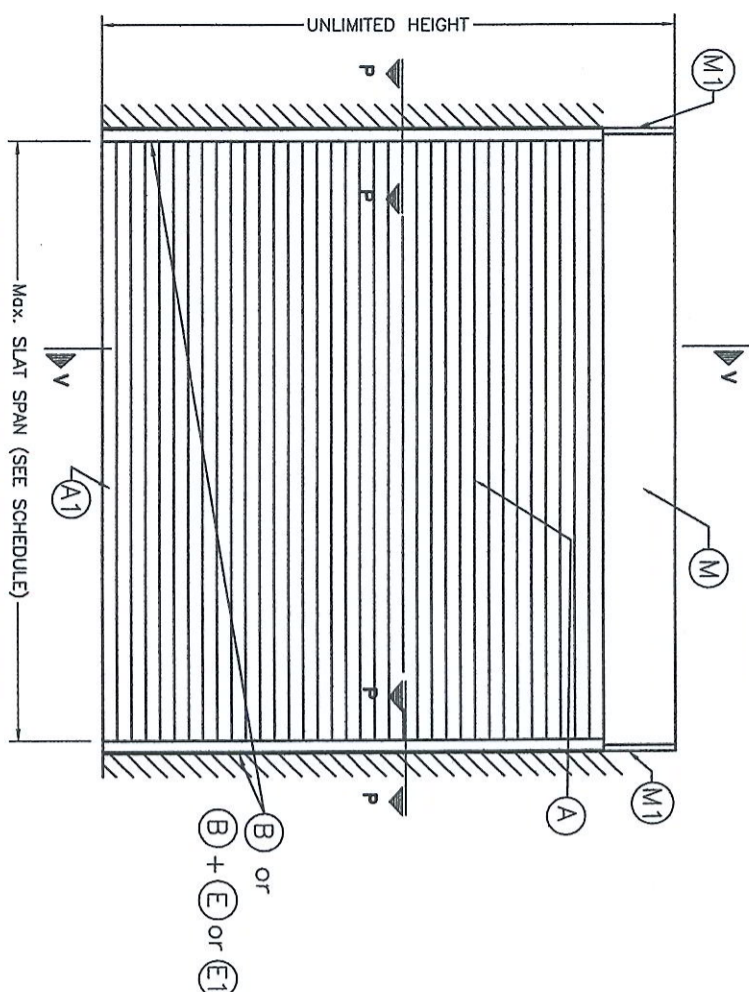


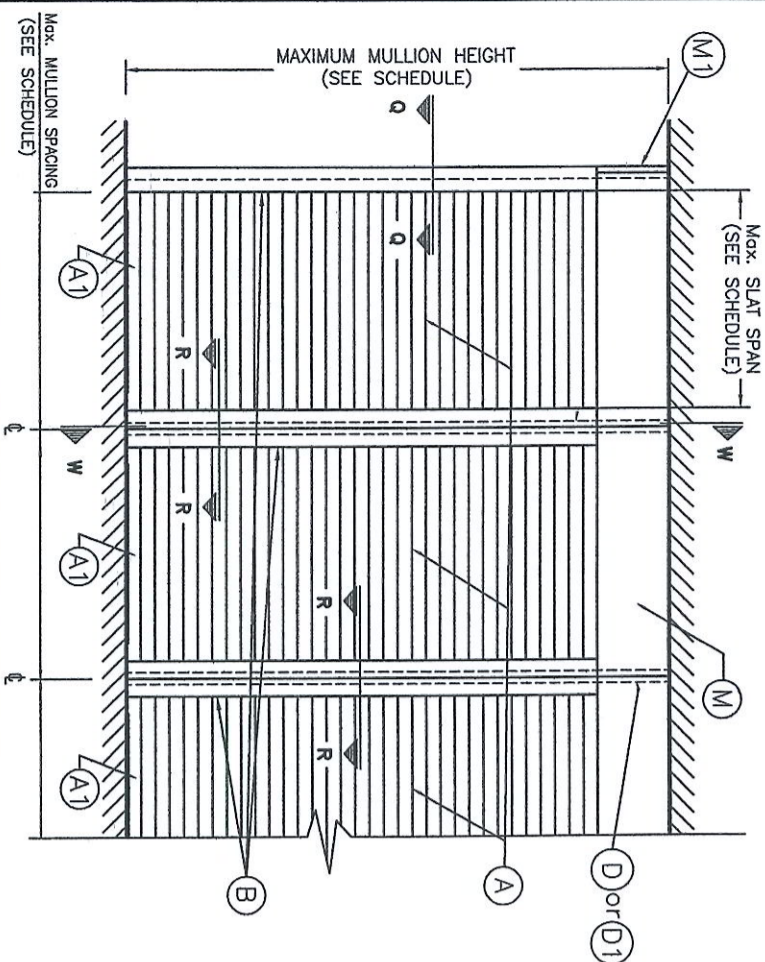
GENERAL NOTES:

1. ROLL UP SHUTTER SHOWN ON THIS PRODUCT EVALUATION DOCUMENT (P.E.D.) HAS BEEN VERIFIED FOR COMPLIANCE IN ACCORDANCE WITH THE 2006 EDITIONS OF THE INTERNATIONAL BUILDING CODE (I.B.C.) AND INTERNATIONAL RESIDENTIAL CODE (I.R.C.) WITH THE 2006 TEXAS REMSIONS, EFFECTIVE JANUARY 1, 2008. ROLL UP SHUTTER SHALL BE INSTALLED AT SEAWARD AND INLAND AREAS, AS DEFINED BY THE TEXAS DEPARTMENT OF INSURANCE. DESIGN WIND LOADS SHALL BE DETERMINED AS PER SECTION 1609 OF THE INTERNATIONAL BUILDING CODE. FOR A BASIC WIND SPEED AS REQUIRED BY THE JURISDICTION WHERE SHUTTER WILL BE INSTALLED, AND FOR A DIRECTIONALITY FACTOR $K_d = 0.85$, IN ACCORDANCE WITH ASCE 7-05 STANDARD. ROLL UP SHUTTER ADEQUACY FOR IMPACT AND CYCLIC RESISTANCE HAS BEEN VERIFIED IN ACCORDANCE WITH SECTIONS 1609.1.2 AND R301.1.3 OF THE ABOVE MENTIONED CODES RESPECTIVELY, AS PER ARCHITECTURAL TESTING INC. REPORT 78796.01-109-18, PER ASTM E 1886-02, E 1996-02 AND ASTM E 330-02 STANDARDS, CORRESPONDING TO MISSILE TYPE "D" AND WIND ZONE 4. SEE NOTE * ON SHEET 4 FOR ADDITIONAL LIMITATIONS.
2. ALL ALUMINUM EXTRUSIONS SHALL BE ALUMINUM ASSOCIATION 6063-T6 ALLOY AND TEMPER (SEE SHEET COMPONENTS).
3. EVERY OTHER SLAT (INCLUDING BASE SLAT) SHALL INCLUDE ONE RETAIN SCREW (C), AISI 304 SERIES STAINLESS STEEL (SEE SHEET 2).
4. ALL SCREWS (EXCEPT COMPONENT # (C)) TO BE STAINLESS STEEL 304 OR 316 AISI SERIES OR TW BULDEX CORROSION RESISTANT COATED CARBON STEEL TEK SCREWS, AS PER DIN 50018.
5. BOLTS TO BE ASTM A-307 GALVANIZED STEEL OR AISI 304 SERIES STAINLESS STEEL, WITH 35 ksi MINIMUM YIELD STRENGTH.
6. ANCHORS TO WALL FOR SIDE RAILS CONNECTION SHALL BE AS FOLLOWS:
 - (A) TO EXISTING POURED CONCRETE (MIN. $f'c = 2899$ psi):
 - 5/16" ϕ CARBON STEEL TAPCON XL ANCHORS, AS MANUFACTURED BY ITW/BULDEX, INC.



TYPICAL SINGLE UNIT ELEVATION

NOTE: SEE SHEETS 2 & 3 FOR COMPONENTS NOMENCLATURE.



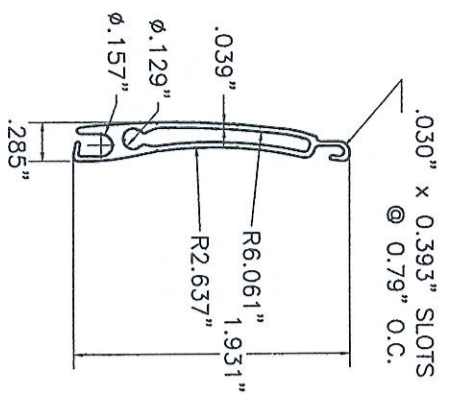
TYPICAL MULTIPLE UNIT ELEVATION

NOTE: SEE SHEETS 2 & 3 FOR COMPONENTS NOMENCLATURE.

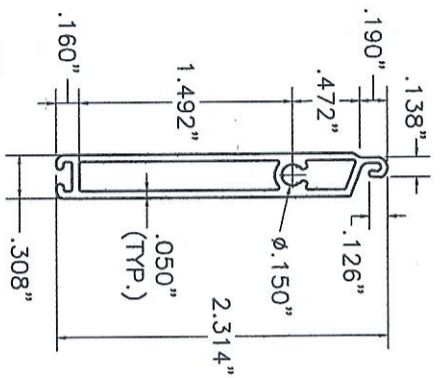
- NOTES:**
- (1) SEE SECTIONS ON SHEETS 4 THRU 7.
 - (2) SEE SCHEDULES ON SHEETS 4, 6 & 7.

- NOTES:**
- A.1) MINIMUM EMBEDMENT OF TAPCON XL ANCHORS INTO POURED CONCRETE 2". NO EMBEDMENT INTO STUCCO SHALL BE CONSIDERED AS PART OF THE REQUIRED EMBEDMENT.
 - A.2) IN CASE THAT PRECAST STONE, PRECAST CONCRETE OR BRICK PANELS, VENEER OR PAVERS BE FOUND ON THE EXISTING WALL, ANCHORS SHALL BE LONG ENOUGH TO REACH THE MAIN SUBSTRATE BEHIND SUCH PANELS. MINIMUM EMBEDMENT SHALL BE AS INDICATED ON NOTE A.1 ABOVE.
 - (B) TO EXISTING POURED CONCRETE (MIN. $f'c = 4000$ psi):
 - 3/8" ϕ KWIK BOLT 3 EXPANSION ANCHOR, AS MANUFACTURED BY HILTI, INC.
- NOTES:**
- B.1) MINIMUM EMBEDMENT OF KWIK BOLT 3 ANCHORS INTO POURED CONCRETE 3 1/2". NO EMBEDMENT INTO STUCCO SHALL BE CONSIDERED AS PART OF THE REQUIRED EMBEDMENT.
 - B.2) IN CASE THAT PRECAST STONE, PRECAST CONCRETE OR BRICK PANELS, VENEER OR PAVERS BE FOUND ON THE EXISTING WALL, ANCHORS SHALL BE LONG ENOUGH TO REACH THE MAIN SUBSTRATE BEHIND SUCH PANELS. MINIMUM EMBEDMENT SHALL BE AS INDICATED ON NOTE B.1 ABOVE.
7. ANCHORS SHALL BE INSTALLED FOLLOWING ALL OF THE RECOMMENDATIONS AND SPECIFICATIONS OF THE ANCHOR'S MANUFACTURER.
 8. ANCHORS REQUIRED FOR MULLION CONNECTIONS SHALL BE AS SPECIFIED ON APPLICABLE SECTIONS SHOWN ON SHEETS 6 & 7 RESPECTIVELY.
 - 5/8" ϕ KWIK BOLT TZ EXPANSION ANCHOR TO BE AS MANUFACTURED BY HILTI, INC.
- MINIMUM EDGE DISTANCE AND SPACING FOR ABOVE MENTIONED ANCHORS SHALL BE AS INDICATED BELOW OR AT ABOVE MENTIONED SHEET. EDGE DISTANCE AND EMBEDMENTS ARE BEYOND ANY FINISH MATERIAL.
- | ANCHOR | SPACING @ 100% | EDGE DISTANCE @ 100% | EMBEDMENT |
|--------------|----------------|----------------------|---|
| KWIK BOLT TZ | 3" | 4 1/4" | CONCRETE GROUT FILLED OR CONCRETE BLOCK |
9. IT SHALL BE THE RESPONSIBILITY OF THE CONTRACTOR TO VERIFY THE SOUNDNESS OF THE STRUCTURE WHERE SHUTTER IS TO BE ATTACHED TO INSURE PROPER ANCHORAGE. THIS SHUTTER SHALL ONLY BE ATTACHED TO POURED CONCRETE.
 10. THE INSTALLATION CONTRACTOR IS TO SEAL/CAULK ALL SHUTTER COMPONENT EDGES WHICH REMAIN IN CONTINUOUS CONTACT WITH THE BUILDING TO PREVENT WIND/RAIN INTRUSION.
 11. ROLL-UP MECHANISM NOT PART OF THIS APPROVAL, BUT SHALL BE CERTIFIED BY AN INDEPENDENT TESTING AGENCY.
 12. ROLL-UP SHUTTER INSTALLATION SHALL COMPLY WITH SPECS INDICATED IN THIS DRAWING PLUS ANY BUILDING AND ZONING REGULATIONS PROVIDED BY THE JURISDICTION WHERE PERMIT IS APPLIED TO.
 13. (a) THIS P.E.D. PREPARED BY THIS ENGINEER IS GENERIC AND DOES NOT PROVIDE INFORMATION FOR A SITE SPECIFIC PROJECT; i.e. WHERE THE SITE CONDITIONS DEVIATE FROM THE P.E.D.
 - (b) CONTRACTOR TO BE RESPONSIBLE FOR THE SELECTION, PURCHASE AND INSTALLATION INCLUDING LIFE SAFETY OF THIS PRODUCT, BASED ON THIS P.E.D. PROVIDED HE/SHE DOES NOT DEVIATE FROM THE CONDITIONS DETAILED ON THIS DOCUMENT. CONSTRUCTION SAFETY AT SITE IS THE CONTRACTOR'S RESPONSIBILITY.
 - (c) THIS P.E.D. WILL BE CONSIDERED INVALID IF ALTERED BY ANY MEANS.
 - (d) SITE SPECIFIC PROJECTS SHALL BE PREPARED BY A PROFESSIONAL ENGINEER OR REGISTERED ARCHITECT WHICH WILL BECOME THE ENGINEER OF RECORD (E.O.R.) FOR THE PROJECT AND WHO WILL BE RESPONSIBLE FOR THE PROPER USE OF THE P.E.D. ENGINEER OF RECORD, ACTING AS A DELEGATED ENGINEER TO THE P.E.D. ENGINEER, SHALL SUBMIT TO THIS LATTER THE SITE SPECIFIC DRAWINGS FOR REVIEW.
 - (e) THIS P.E.D. SHALL BEAR THE DATE AND ORIGINAL SEAL AND SIGNATURE OF THE PROFESSIONAL ENGINEER OF RECORD THAT PREPARED IT.

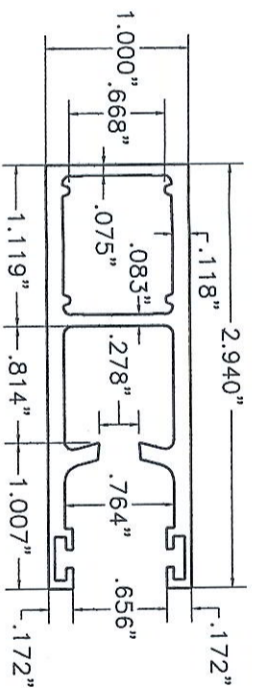
WALTER A. TILLIT Jr. P.E. PROFESSIONAL ENGINEER 6355 N.W. 36 STREET, STE. 305 VIRGINIA GARDENS, FL 33166 PHONE (305) 871-1530 FAX (305) 871-1531 TEXAS L.C. # 90691		BARRACUDA II END RETENTION ROLL-UP SHUTTER SYSTEM ALUTECH UNITED INC. 15 DIXON STREET SELBYVILLE, DE 19975 PHONE: (800) 233-1144, FAX: (302) 436-5100		L.G. DRAWN BY 3/25/08 DATE 08-077 DRAWING No SHEET 1 OF 7	
REV. No	DESCRIPTION	DATE	REV. No	DESCRIPTION	DATE
1	TITLE BLOCK / P.E.	11/25/08	3		
2			4		



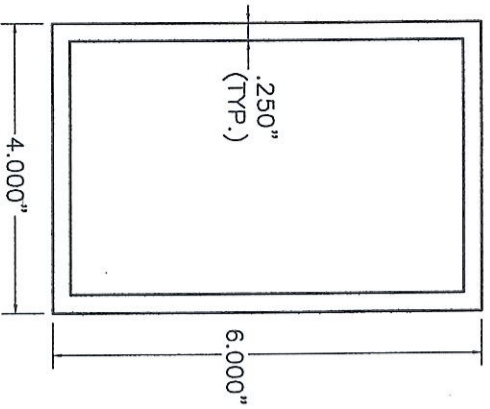
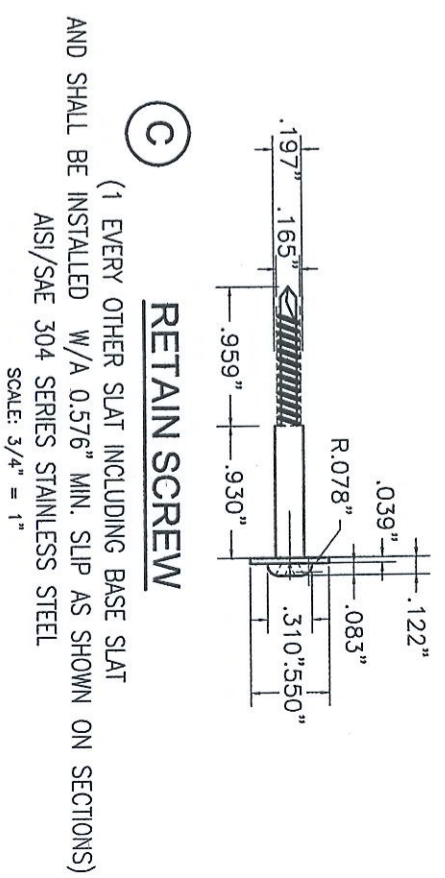
(A) SLAT
6063-T6 ALUMINUM ALLOY
SCALE: 3/4" = 1"



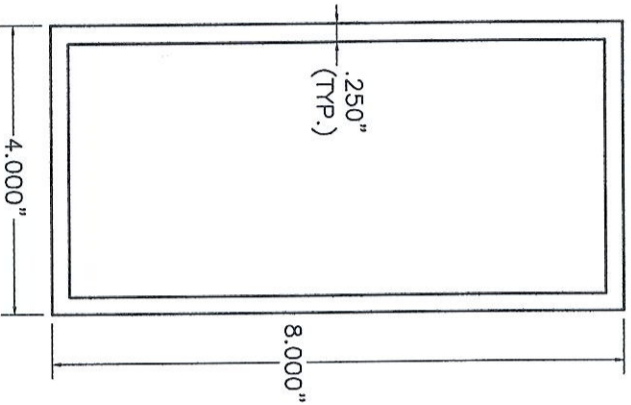
(A1) BASE SLAT
6063-T6 ALUMINUM ALLOY
SCALE: 3/4" = 1"



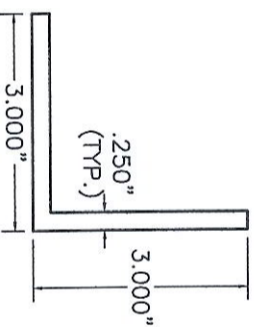
(B) SIDE RAIL
6063-T5 ALUMINUM ALLOY
SCALE: 3/4" = 1"



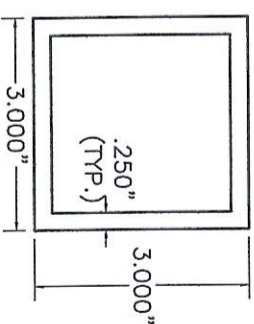
(D) 4" x 6" MULLION:
6063-T6 ALUMINUM ALLOY
SCALE: 3/8" = 1"



(D1) 4" x 8" x 1/4" ALTERNATE MULLION
6063-T6 ALUMINUM ALLOY
SCALE: 3/8" = 1"



(E) 3" x 3" x 1/4" INSIDE MOUNT ANGLE
6061-T6 ALUMINUM ALLOY
SCALE: 3/8" = 1"



(E1) 3" x 3" x 1/4" ALTERNATE INSIDE MOUNT TUBE
6061-T6 ALUMINUM ALLOY
SCALE: 3/8" = 1"

COMPONENTS

WALTER A. TILLIT Jr., P.E.
PROFESSIONAL ENGINEER
6355 N.W. 36 STREET, STE. 305
VIRGINIA GARDENS, FL 33166
PHONE (305) 871-1530 FAX (305) 871-1531
TEXAS LIC. # 90691

BARRACUDA II END RETENTION
ROLL-UP SHUTTER SYSTEM

ALUTECH UNITED INC.

15 DIXON STREET
SELBYVILLE, DE 19975
PHONE: (800) 233-1144, FAX: (302) 436-5100

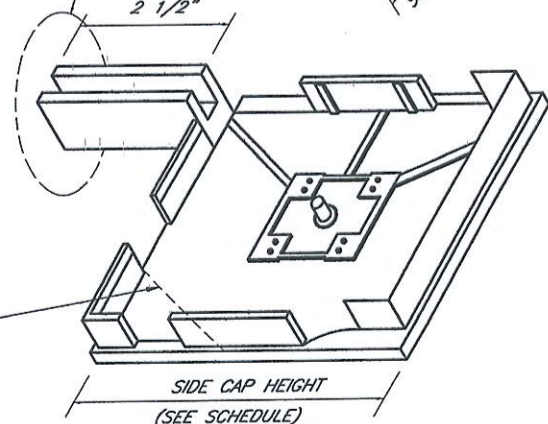
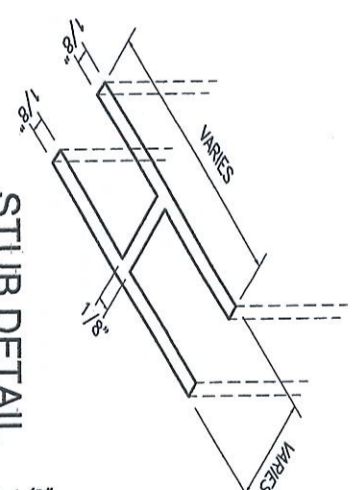
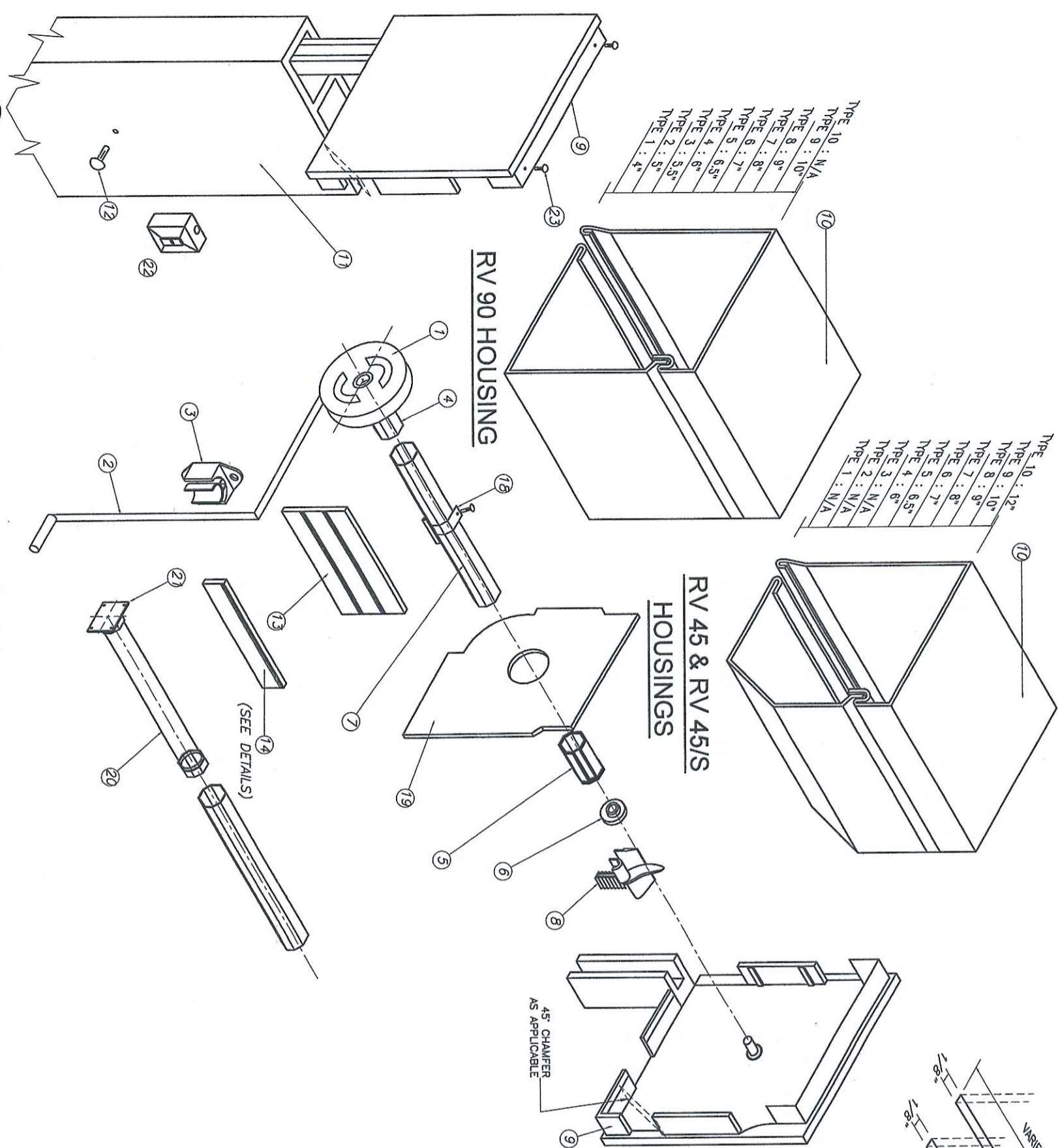
L.G. DRAWN BY
3/25/08 DATE

08-077 DRAWING No

REV. No	DESCRIPTION	DATE	REV. No	DESCRIPTION	DATE
1	TITLE BLOCK / REF	11/29/08	3		
2			4		

TYPE 10 :	N/A
TYPE 9 :	N/A
TYPE 8 :	10"
TYPE 7 :	9"
TYPE 6 :	8"
TYPE 5 :	7"
TYPE 4 :	6.5"
TYPE 3 :	6"
TYPE 2 :	5.5"
TYPE 1 :	4"

TYPE 10 :	12"
TYPE 9 :	10"
TYPE 8 :	9"
TYPE 7 :	8"
TYPE 6 :	7"
TYPE 5 :	6.5"
TYPE 4 :	6"
TYPE 3 :	N/A
TYPE 2 :	N/A
TYPE 1 :	N/A



COMPONENTS FOR GEAR OPERATED SYSTEM

- 1 - GEAR
 - 2 - UNIVERSAL & CRANK
 - 3 - CRANK HOLDER(OPTIONAL)
 - 4 - GEAR INSERT(GEAR TO AXLE CONNECTOR)
 - 5 - IDLER INSERT
 - 6 - BALL BEARING
 - 7 - OCTAGONAL AXLE *
 - 8 - ENTRY GUIDES
 - 9 - SIDE/END CAP *
 - 10 - HOUSING(FRONT & BOTTOM), 0.040" THICK
 - 11 - SIDE RAIL
 - 12 - PLUG-BUTTONS
 - 13 - ALUMINUM SLATS
 - 14 - BASE SLAT
 - 15 - PLASTIC STOPS(OPTIONAL)
 - 16 - SIDE LOCKS(OPTIONAL)
 - 17 - STAPLES(OPTIONAL)
 - 18 - SPRINGLOCK HANGER
 - 19 - SAFETY PLATES
- ADDITIONAL COMPONENTS FOR MOTORIZED OPERATED SYSTEM**
- 20 - TUBULAR MOTOR
 - 21 - MOTOR BRACKET
 - 22 - SWITCH
- FASTENERS**
- 23 - 3/16" ALUMINUM POP RIVETS(6 REQ'D EA. SIDE CAP) : 2 @ TOP, 2 @ REAR, 2 @ BOTTOM

* SHALL BE CAPABLE TO SUSTAIN SLAT'S WEIGHT AND ASSURE LIFTING MECHANISM (SEE NOTE 10/1)

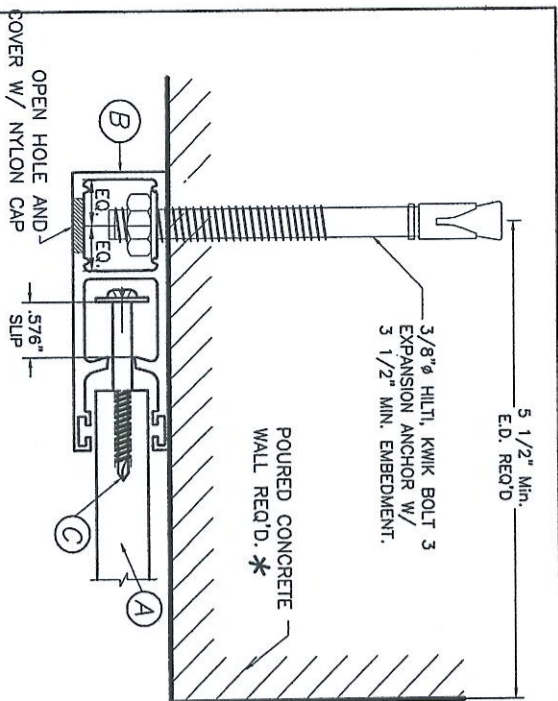
(M) BOX COMPONENTS AND ASSEMBLY DETAIL

END CAP SYSTEM

(SEE NOTE 10 ON SHEET 1)

WALTER A. TILLIT Jr. P.E. PROFESSIONAL ENGINEER 6355 N.W. 36 STREET, STE. 305 VIRGINIA GARDENS, FL 33166 PHONE (305) 871-1530 FAX (305) 871-1531 TEXAS LIC. # 90691		BARRACUDA II END RETENTION ROLL-UP SHUTTER SYSTEM ALUTECH UNITED INC. 15 DIXON STREET SELBYVILLE, DE 19875 PHONE: (800) 233-1144, FAX: (302) 436-5100		L.G. DRAWN BY DATE 3/25/08	
REV. No	DESCRIPTION	DATE	REV. No	DESCRIPTION	DATE
1	TITLE BLOCK / P.E.	11/29/08	3		
2			4		
				08-077 DRAWING No	
				SHEET 3 OF 7	

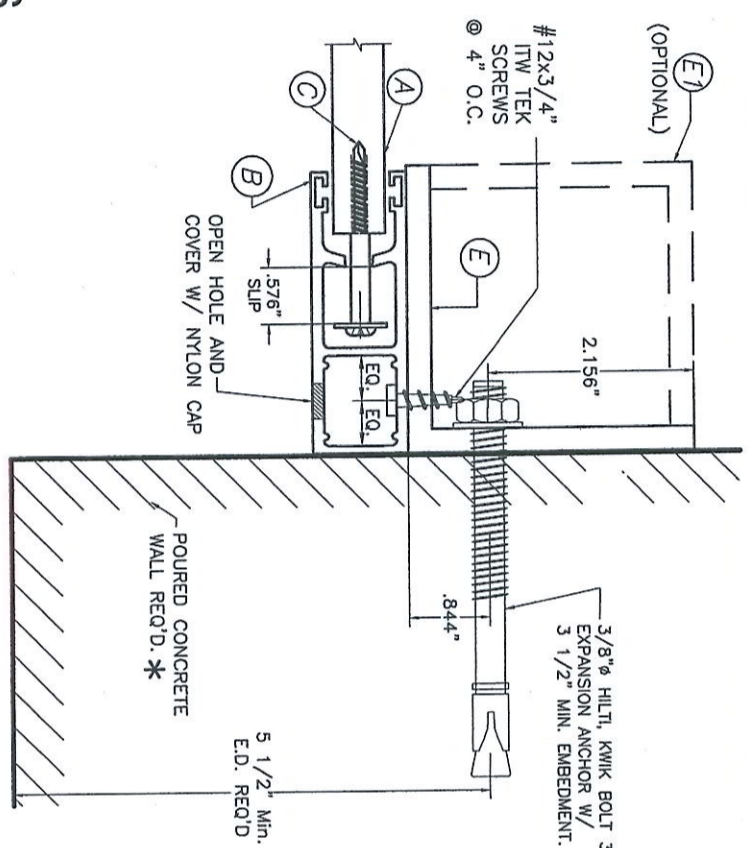
TDI 2006



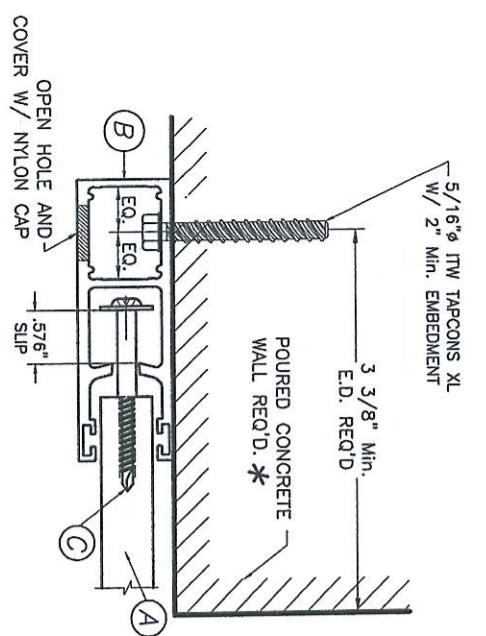
SECTION P-P (1): WALL MOUNT
3/8"Ø HILTI, KWIK BOLT 3 EXPANSION ANCHOR

SIDE RAIL CONNECTIONS

TO POURED CONCRETE
SCALE : 3/8" = 1"

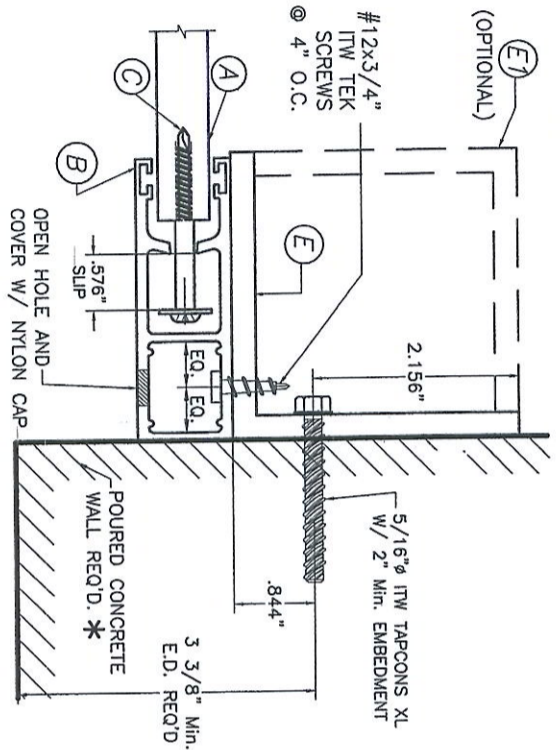


SECTION P-P (2): INSIDE MOUNT
3/8"Ø HILTI, KWIK BOLT 3 EXPANSION ANCHOR

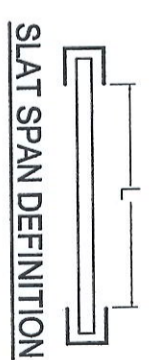
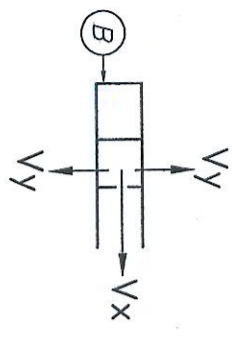


SECTION P-P (1): WALL MOUNT
5/16"Ø TAPCONS XL

SECTION P-P (2): INSIDE MOUNT
5/16"Ø TAPCONS XL



* NOTE:
IT SHALL BE THE RESPONSIBILITY OF THE CONTRACTOR TO VERIFY THAT EXISTING STRUCTURE IS DESIGNED TO SUPPORT Vx AND Vy=FORCES IN (lb/ft) OF SHUTTER HEIGHT AT BOTH JAMBS. (SEE SCHEDULES THIS SHEET).



MAXIMUM SLAT SPAN "L" (FT) & CORRESPONDING Vx & Vy REACTIONS AT JAMB & ANCHOR SPACING FOR 3/8"Ø HILTI, KWIK BOLT 3 EXPANSION ANCHOR GIVEN MAXIMUM DESIGN LOAD & REQUIRED SLIP

MAXIMUM DESIGN LOAD (p.s.f)	MAXIMUM SLAT SPAN "L" (FT.)	REQUIRED SLIP (in)	Vx (Lb/Ft)	Vy (Lb/Ft)	SIDE RAIL CONNECTION	MAX. ANCHOR SPACING (in)
+80, -80	15'-0 1/8"	0.576"	2272	600	WALL MOUNT & INSIDE MOUNT	7"

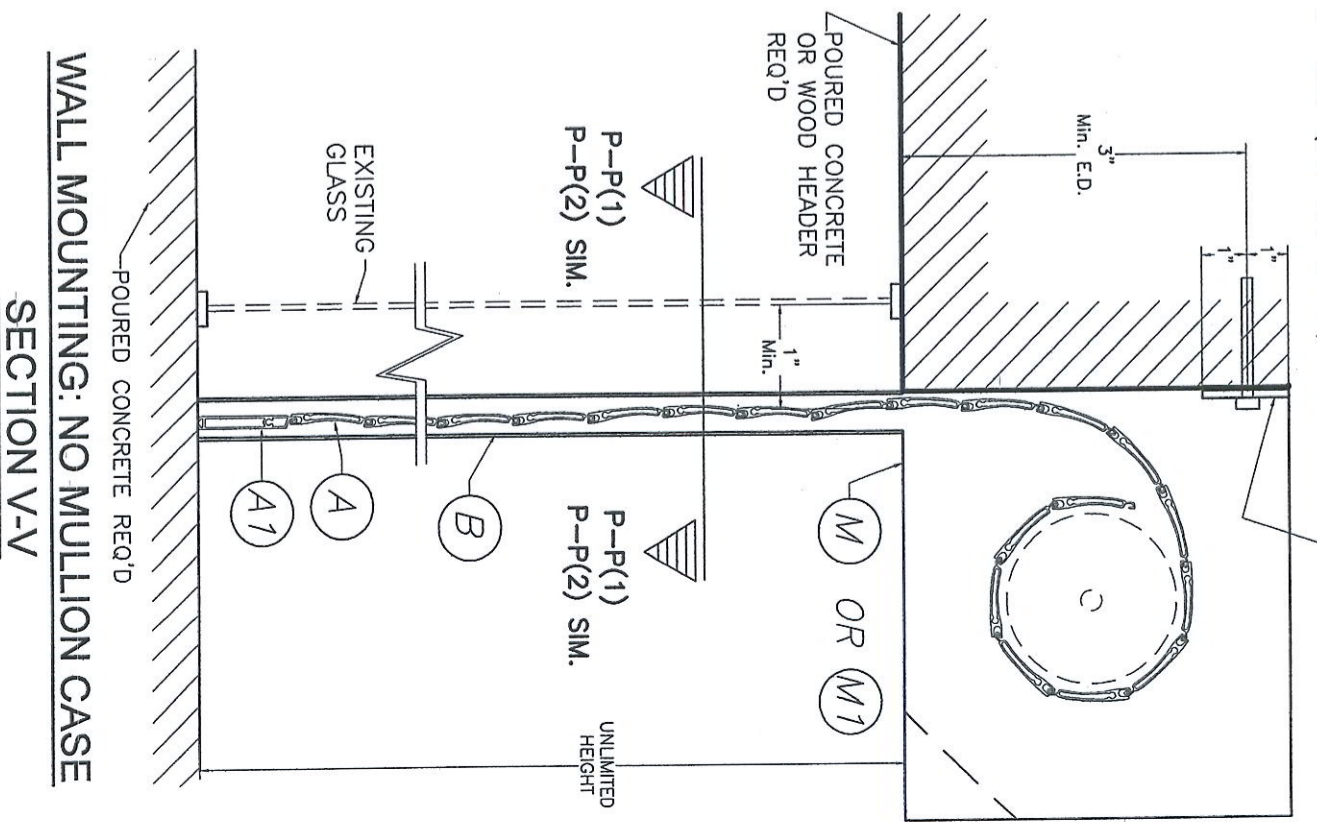
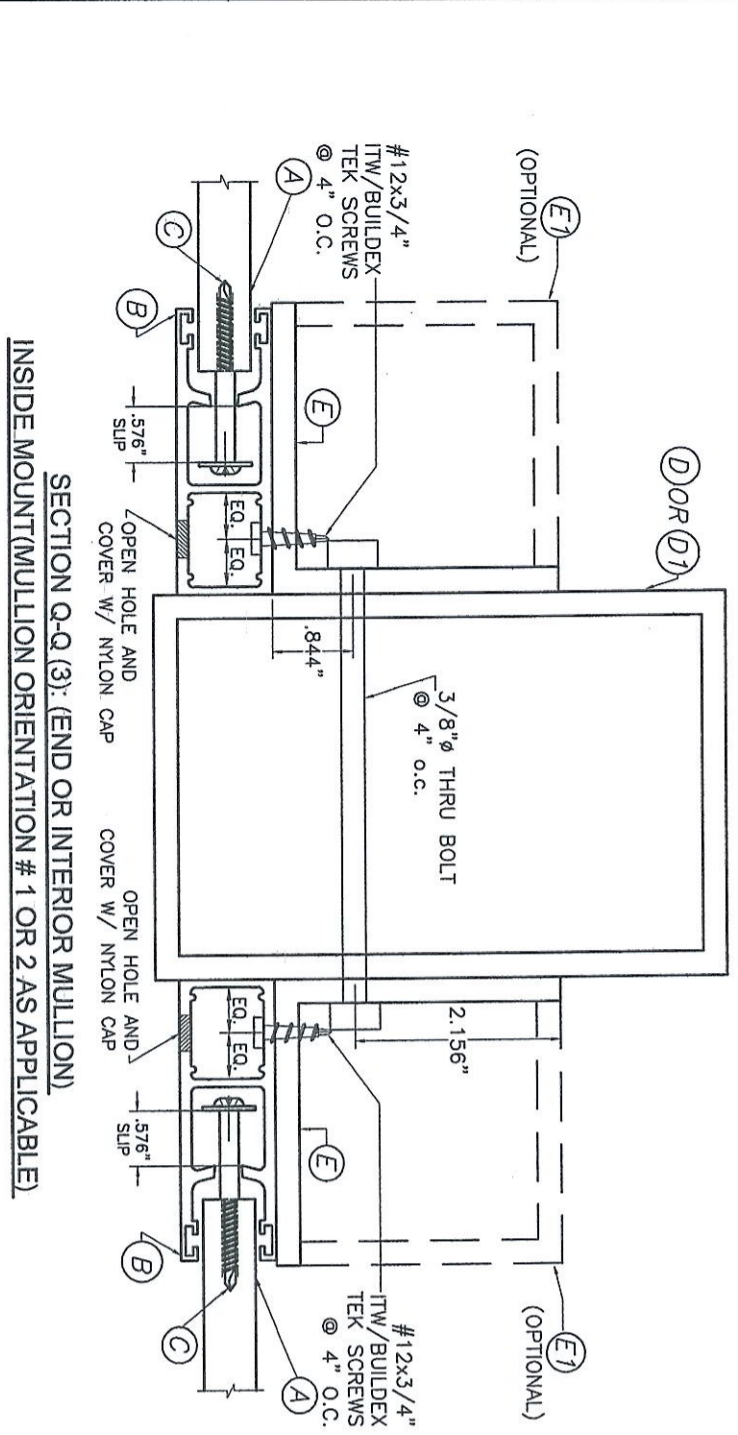
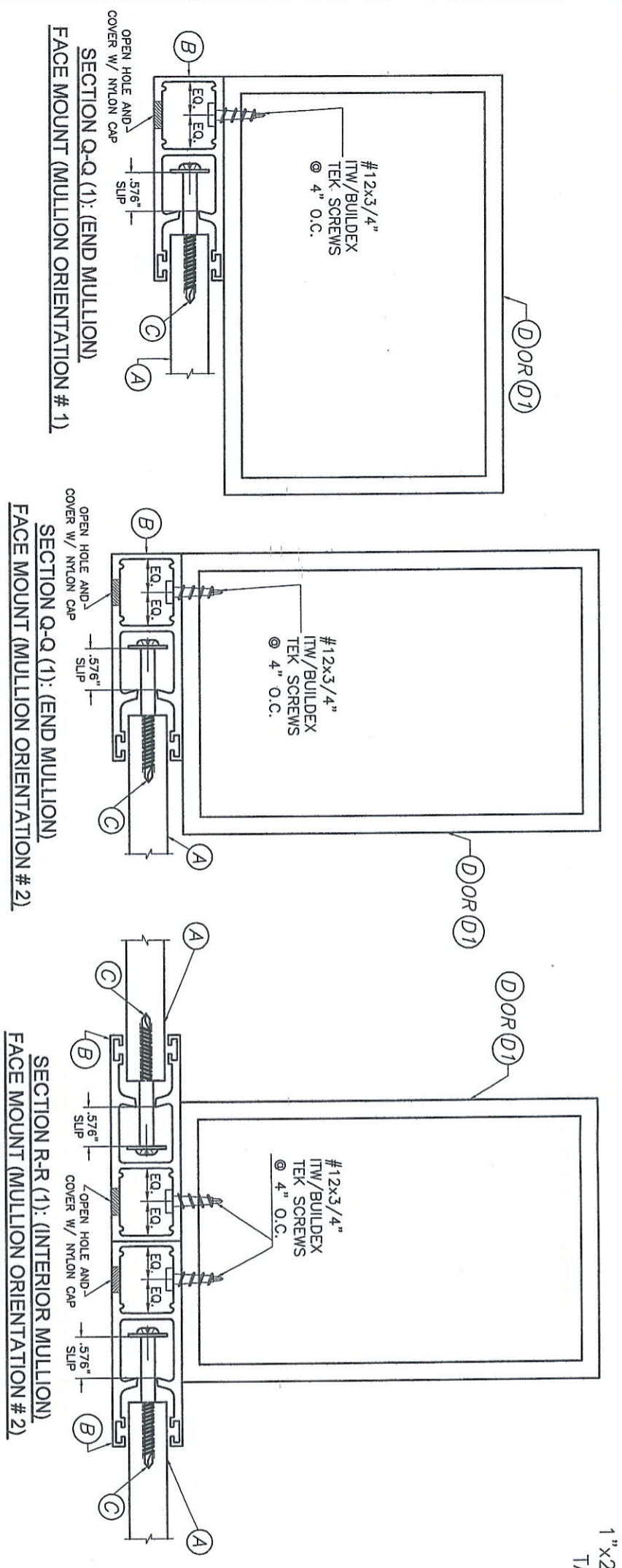
MAXIMUM SLAT SPAN "L" (FT) & CORRESPONDING Vx & Vy REACTIONS AT JAMB & ANCHOR SPACING FOR 5/16"Ø ITW TAPCONS XL ANCHOR GIVEN MAXIMUM DESIGN LOAD & REQUIRED SLIP

MAXIMUM DESIGN LOAD (P.S.F)	MAXIMUM SLAT SPAN "L" (FT.)	REQUIRED SLIP (in)	Vx (Lb/Ft)	Vy (Lb/Ft)	SIDE RAIL CONNECTION	MAX. ANCHOR SPACING (in)
+55, -55	15'-0 1/8"	0.576"	1605	413	WALL MOUNT	5"
+45, -45	15'-0 1/8"	0.576"	1330	338	INSIDE MOUNT	5"

TDI 2006

WALTER A. TILLIT Jr. P.E. PROFESSIONAL ENGINEER 6355 N.W. 36 STREET, STE. 305 VIRGINIA GARDENS, FL 33166 PHONE (305) 871-1530 FAX (305) 871-1531 TEXAS LIC. # 90691		BARRACUDA II END RETENTION ROLL-UP SHUTTER SYSTEM ALUTECH UNITED INC. 15 DIXON STREET SELBYVILLE, DE 19975 PHONE: (800) 233-1144, FAX: (302) 436-5100		L.G. DRAWN BY 3/25/08 DATE	
REV. No	DESCRIPTION	DATE	REV. No	DESCRIPTION	DATE
1	TITLE BLOCK / REF	11/29/08	3		
2			4		
				08-077 DRAWING No	SHEET 4 OF 7

1"x2"x1/8" Alum. PLATE W/ 1/4"φx1 3/4"
TAPCONS @ 12" o.c. FOR CONCRETE OR
16" o.c. (TO EA. STUD) FOR WOOD



SIDE RAIL CONNECTIONS TO MULLIONS

(SEE SLAT SPAN SCHEDULE)
SCALE: 3/8" = 1"

TDI 2006

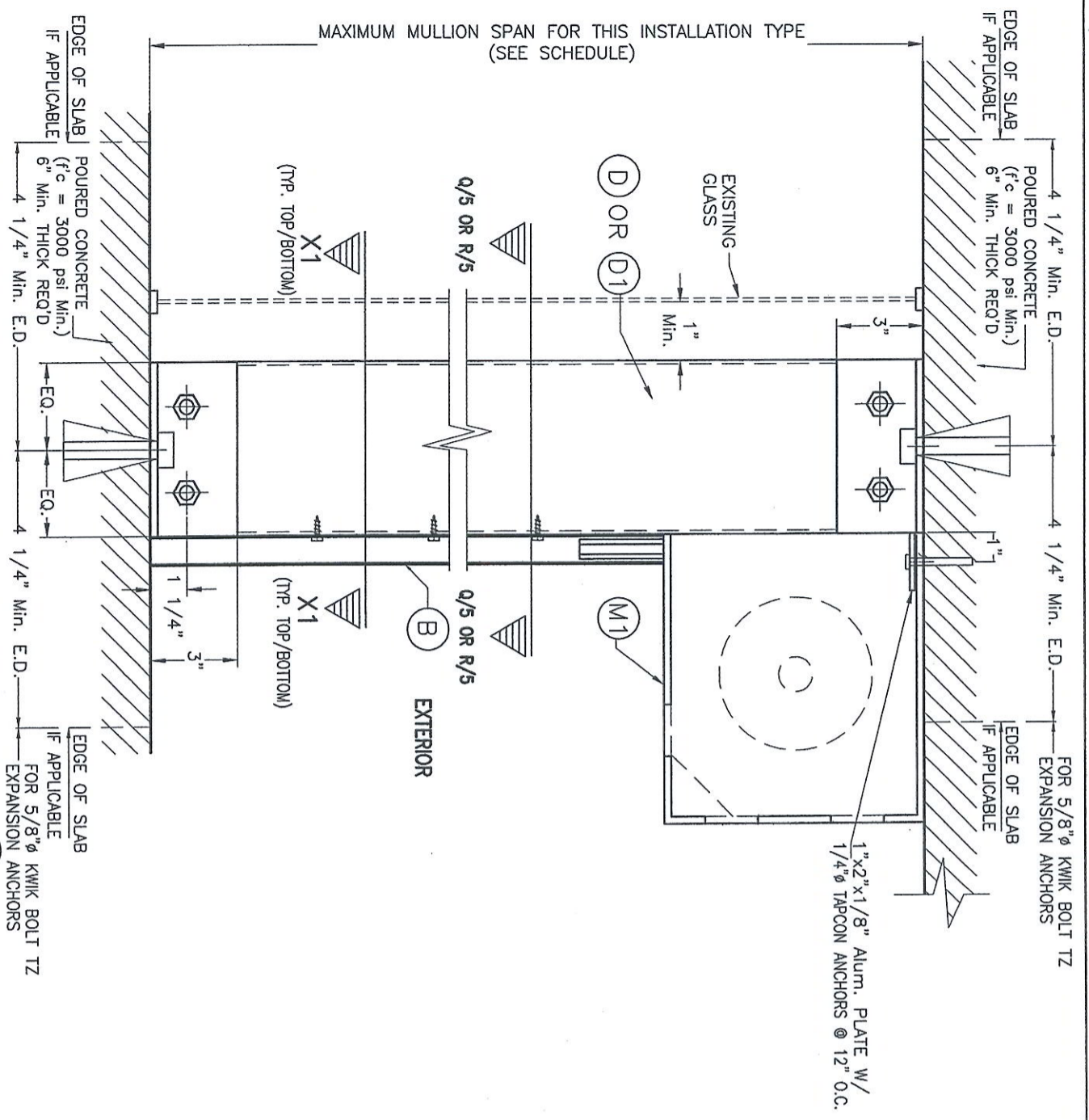
WALTER A. TILLIT Jr. P.E.
PROFESSIONAL ENGINEER
6355 N.W. 36 STREET, STE. 305
VIRGINIA GARDENS, FL 33168
PHONE (305) 871-1530 FAX (305) 871-1531
TEXAS LIC. # 90691

BARRACUDA II END RETENTION
ROLL-UP SHUTTER SYSTEM
ALUTECH UNITED INC.
15 DIXON STREET
SELBYVILLE, DE 19975
PHONE: (800) 233-1144, FAX: (302) 436-5100

L.G. DRAWN BY
3/25/08 DATE
08-077 DRAWING No

REV. No	DESCRIPTION	DATE	REV. No	DESCRIPTION	DATE
1	TITLE BLOCK / P.E. #	11/25/08	3		
2			4		

SHEET 5 OF 7

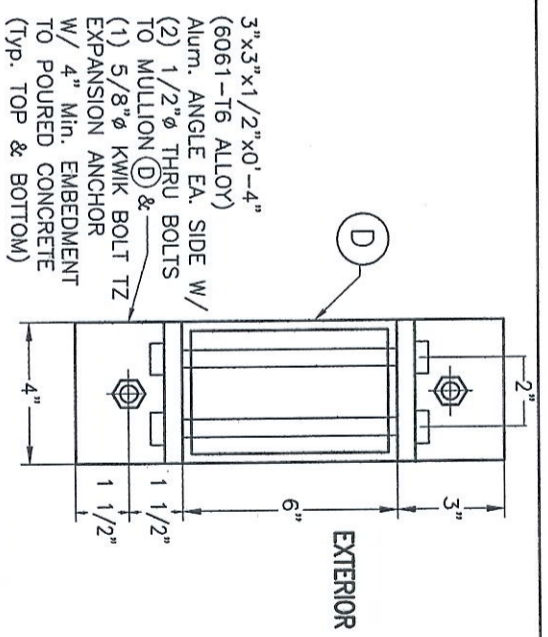


FLOOR TO CEILING / TRAPPED MOUNTING: MULLION D OR D1
SECTION W-1

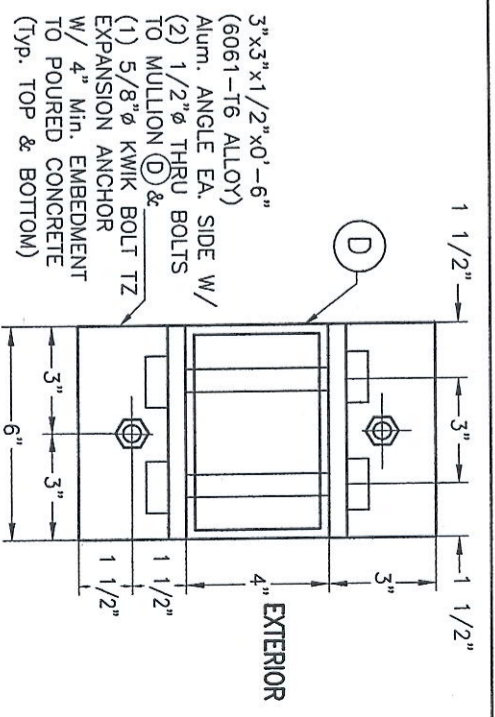
END & INTERIOR MULLION MAX. SPAN (ft) SCHEDULE
FOR A MAXIMUM DESIGN LOAD (p.s.f.) & A GIVEN MULLION SPACING (ft) *
INSTALLATION INTO POURED CONCRETE

MAXIMUM DESIGN LOAD (p.s.f.)	MAXIMUM MULLION SPACING (FT)	MAXIMUM MULLION SPAN (FT): FLOOR OR TO CEILING			
		D 4"x6"x1/4" MULLION		D1 4"x8"x1/4" MULLION	
		ORIENTATION #1 (≡)	ORIENTATION #2 (□)	ORIENTATION #1 (≡)	ORIENTATION #2 (□)
+55, -55 OR LESS	15'-0" 1/8"	7'-2"	8'-9"	6'-8"	10'-10"
+80, -80	15'-0" 1/8"	6'-0"	7'-8"	5'-7"	9'-7"
		END INTERIOR	END INTERIOR	END INTERIOR	END INTERIOR
		7'-2"	8'-9"	6'-8"	10'-10"
		7'-8"	8'-9"	5'-7"	9'-7"
		7'-3"	8'-8"	8'-5"	11'-9"
		END INTERIOR	END INTERIOR	END INTERIOR	END INTERIOR

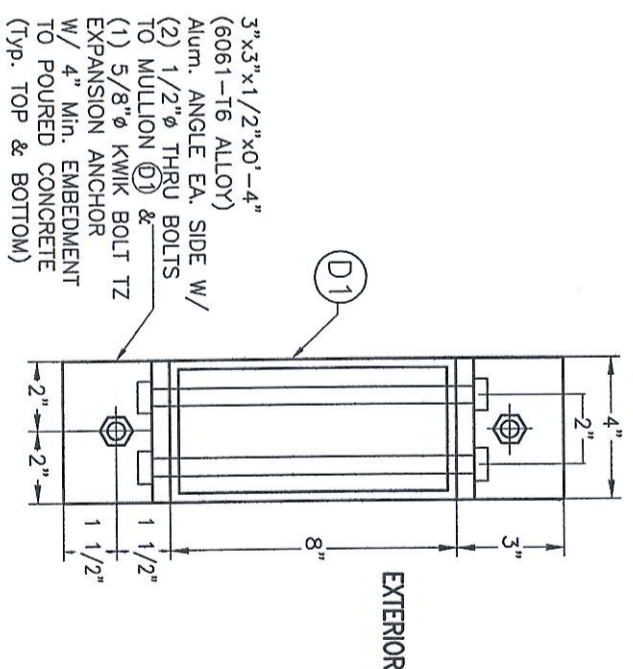
* MAXIMUM MULLION SPACING SHALL BE SUCH THAT SLAT SPAN SHALL NOT BE EXCEEDED.
SEE SHEET 5 FOR MULLION ORIENTATION DEFINITION.



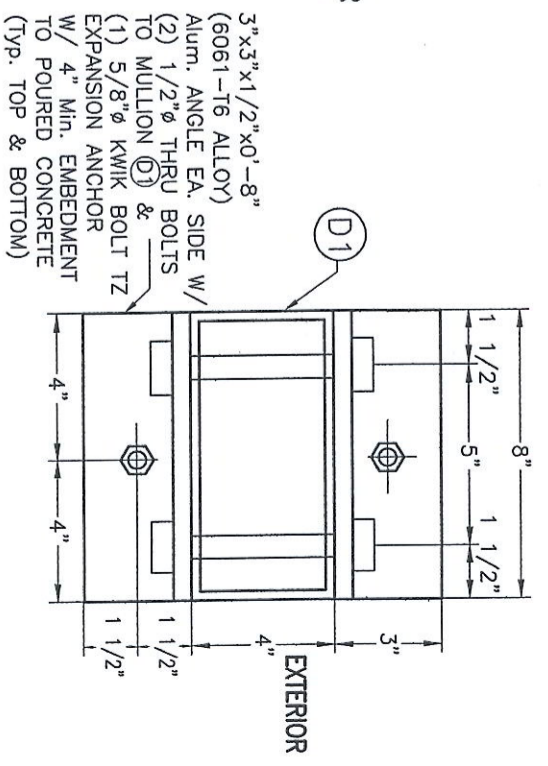
SECTION X1-X1 W/ D *
(W/ ORIENTATION # 1)



ALTERNATIVE SECTION X1-X1 W/ D *
(W/ ORIENTATION # 2)



SECTION X1-X1 W/ D1 *
(W/ ORIENTATION # 1)



ALTERNATIVE SECTION X1-X1 W/ D1 *
(W/ ORIENTATION # 2)

* SIDE RAIL (B) NOT SHOWN FOR CLARITY. IT GOES ON EXTERIOR SIDE OF MULLION.

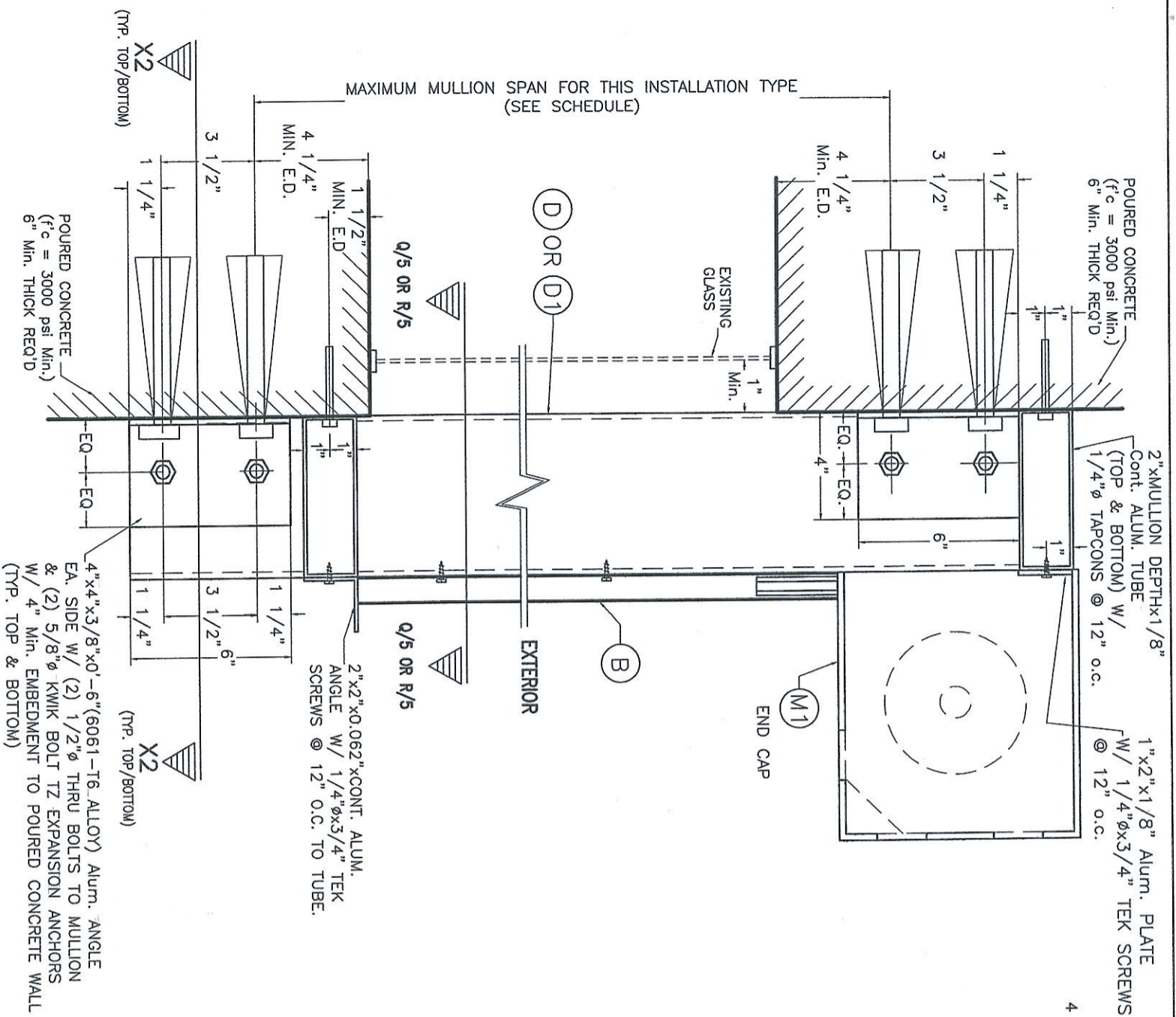
END & INTERIOR TRAPPED MOUNTED MULLION INSTALLATION

SCALE: 3/16" = 1"

WALTER A. TILLIT JR. P.E.
PROFESSIONAL ENGINEER
6355 N.W. 36 STREET, STE. 305
VIRGINIA GARDENS, FL 33166
PHONE (305) 871-1530 FAX (305) 871-1531
TEXAS LIC. # 90691

BARRACUDA II END RETENTION ROLL-UP SHUTTER SYSTEM		ALUTECH UNITED INC.	
15 DIXON STREET SELBYVILLE, DE 19975		3/25/08	
PHONE: (800) 233-1144, FAX: (302) 436-5100		DRAWN BY	
REV. NO. 1		DATE	
DESCRIPTION		DATE	
TITLE BLOCK / P.E.#		SHEET 6 OF 7	

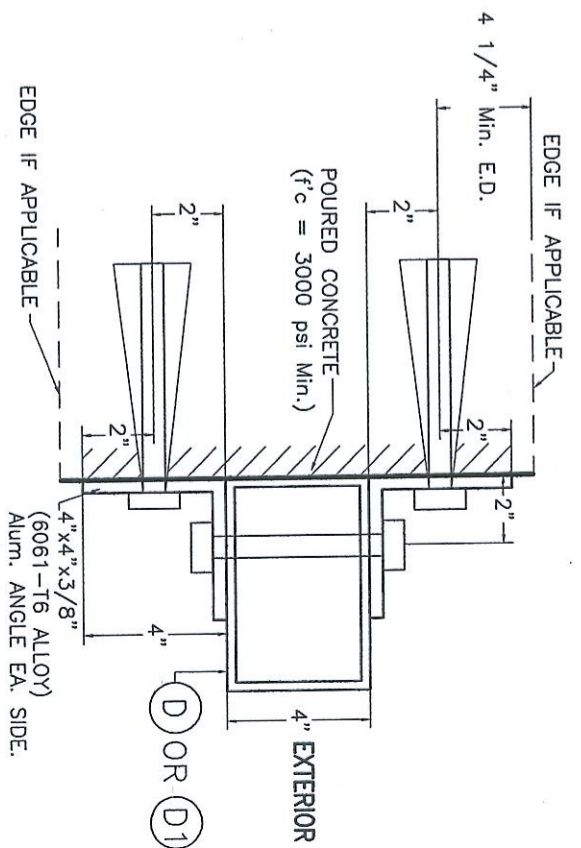
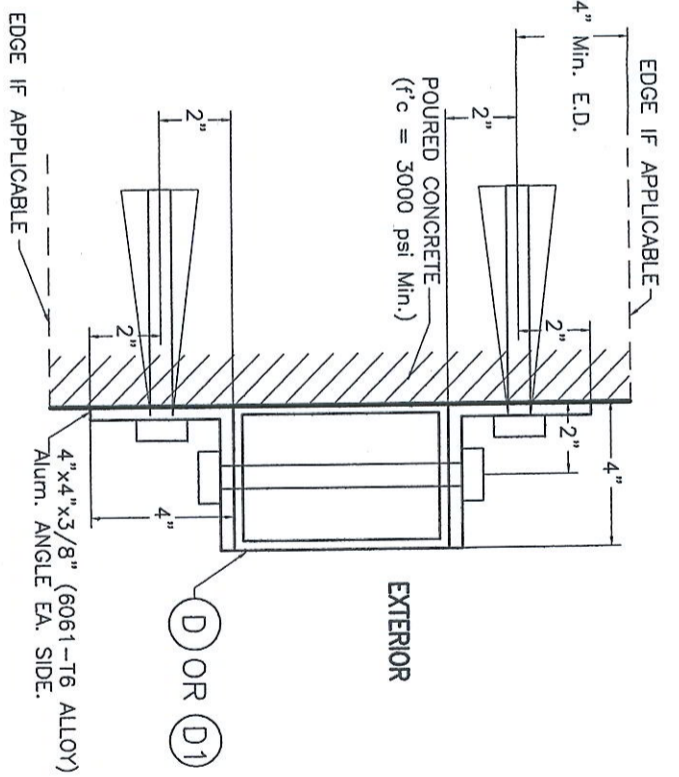
TDI 2006



WALL MOUNTING : MULLION \textcircled{D} OR $\textcircled{D1}$
POURED CONCRETE WALL
SECTION W-2

END & INTERIOR WALL MOUNTED MULLION INSTALLATION

SCALE: 3/16" = 1"



* SIDE RAIL \textcircled{B} NOT SHOWN FOR CLARITY.
 IT GOES ON EXTERIOR SIDE OF MULLION.

END & INTERIOR MULLION MAX. SPAN (FT) SCHEDULE
FOR A MAXIMUM DESIGN LOAD (p.s.f.), & A GIVEN MULLION SPACING (ft) *
INSTALLATION INTO POURED CONCRETE

MAXIMUM DESIGN LOAD (p.s.f.)	MAXIMUM MULLION SPACING (FT)	MAXIMUM MULLION SPAN (FT): WALL MOUNTING				
		\textcircled{D} 4"x6"x1/4" MULLION	$\textcircled{D1}$ 4"x8"x1/4" MULLION	ORIENTATION #1 (≡)	ORIENTATION #2 (∩)	
+55, -55 OR LESS	15'-0" 1/8"	END INTERIOR	7'-2"	8'-9"	6'-8"	10'-10"
		END INTERIOR	7'-0"	7'-8"	5'-7"	9'-7"
+80, -80	15'-0" 1/8"	END INTERIOR	7'-2"	8'-9"	6'-8"	10'-10"
		END INTERIOR	7'-0"	7'-8"	5'-7"	9'-7"

* MAXIMUM MULLION SPACING SHALL BE SUCH THAT SLAT SPAN SHALL NOT BE EXCEEDED.
 SEE SHEET 5 FOR MULLION ORIENTATION DEFINITION.

WALTER A. TILLIT JR. P.E. PROFESSIONAL ENGINEER 6355 N.W. 36 STREET, STE. 305 VIRGINIA GARDENS, FL 33166 PHONE (305) 871-1530 FAX (305) 871-1531 TEXAS LIC. # 90691		BARRACUDA II END RETENTION ROLL-UP SHUTTER SYSTEM ALUTECH UNITED INC. 15 DIXON STREET SELBYVILLE, DE 19975 PHONE: (800) 233-1144, FAX: (302) 436-5100		L.G. DRAWN BY DATE 3/25/08	
REV. No	DESCRIPTION	DATE	REV. No	DESCRIPTION	DATE
1	TITLE BLOCK / REF	11/29/08	3		
2			4		
08-077 DRAWING No SHEET 7 OF 7					