



中钨在线 (厦门) 科技有限公司 ChinaTungsten Online (Xiamen) Manu. & Sales Corp.

3F, NO.25 WH RD, XIAMEN SOFTWARE PARK II, FJ 361008, CHINA
WEB: www.chinatungsten.com EMAIL: sales@chinatungsten.com
TEL: +86 592 5129696; FAX: +86 592 5129797

Chinatungsten Online (Xiamen) Manu. & Sales Corp. (CTOMS) is a special TUNGSTEN manufacturer and exporter in Mainland of China. In the past 2 decade, CTOMS has enjoyed rich successful experience in manufacturing and supplying tungsten relevant products, especially tungsten heavy alloy series for various applications.

Our tungsten alloy bears the high density ranging 15.4-18.5g/cc (70-97W) with the components of W-Ni-Cu, W-Ni-Fe or W-Ni-Cu-Fe and etc, for different applications of:

Burking bar: A kind of aircraft riveting tool, used to absorb the force of rivet guns, reducing the vibration of bucking.

Crankshaft: Sometimes casually abbreviated to crank, is the part of an engine, which translates reciprocating linear piston motion into rotation.

Defense applications of kinetic energy penetrator, including tungsten alloy cube, ball, and ring for armor piercing...

Counterweight for racing car, yacht, aircraft and etc.

Radioactive shields for x-rays and other nuclear radiation

Sports fittings parts (darts, golfs, fishing sinker)

Bob for mobile phone

Military and Other Applications

ANVILOY

More details and products' pictures can be found on our site of www.chinatungsten.com. Please check and find anything useful for you. Just feel free to contact us upon any inquiry and for any question with many thanks.

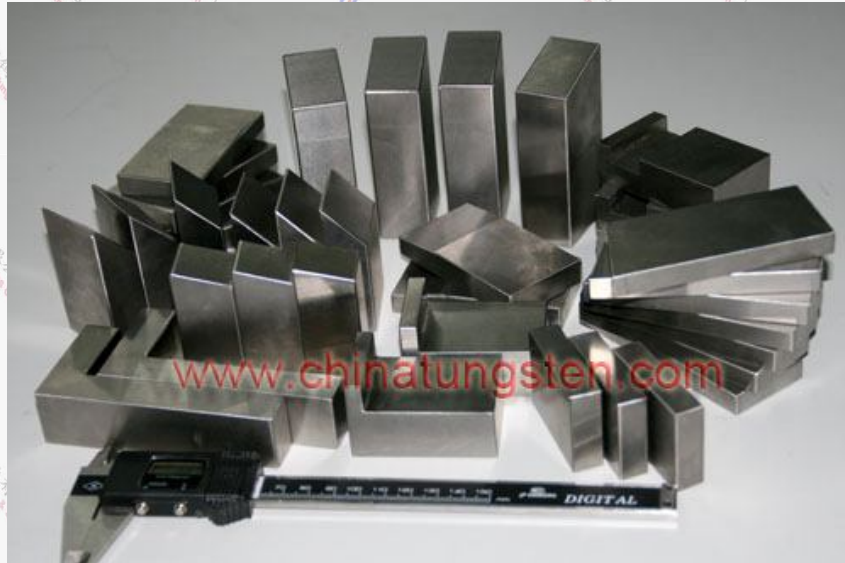


中钨在线 (厦门) 科技有限公司
ChinaTungsten Online (Xiamen) Manu. & Sales Corp.

3F, NO.25 WH RD, XIAMEN SOFTWARE PARK II, FJ 361008, CHINA
WEB: www.chinatungsten.com EMAIL: sales@chinatungsten.com
TEL: +86 592 5129696; FAX: +86 592 5129797

Tungsten Bucking bars

Bucking bars made of tungsten provide increased weight (density) to allow riveting in confined areas. The weight to size ratio provides good kinetic energy transfer and will expedite the installation process.



The best choice—Tungsten Heavy alloy (WHA) bucking bar!

With the advantage of being **more than twice as dense as steel**, tungsten bucking bar now becomes the best choice for riveting, especially for the confined spaces. With a suitable bucking bar, you will make the task easier and perfect, meaning less rivets to drill out.

According to the investigation for different bucking bars of the same shape but different materials and mass characteristics, use of heavier but same sized tungsten bucking bars can reduce vibration transmission to the hand.

In a word, tungsten bucking bars are **VERY** useful for bucking rivets and will make your life much easier in the build process.



Our Tungsten Heavy Alloy (WHA) Bucking Bars

1. At **CTOMS**, all of our bucking bars of this list are made of 95% tungsten. All edges are deburred and working surfaces are polished for troubles-free use.
2. It is also possible to have "custom" bars made to your specifications if a quantity is needed. At CTOMS we manufacture our own bucking bars.

WHA BB H 001

CODE :

Tungsten Heavy Alloy

→ (W represents for tungsten, because of the name of the discoverer is **Worlfram**)

→ Bucking Bar

→ The type of bucking bars

→ H serial number

- TYPE:**
- H TYPE: Bucking bar whose shape looks like "H"
 - L TYPE: Bucking bar whose shape looks like "L"
 - P TYPE: Bucking bar whose shape looks like "p"
 - U TYPE: Bucking bar that with one or two "U" groove
 - T TYPE: Bucking bar whose shape looks like "Triangle"



中钨在线 (厦门) 科技有限公司
ChinaTungsten Online (Xiamen) Manu. & Sales Corp.

3F, NO.25 WH RD, XIAMEN SOFTWARE PARK II, FJ 361008, CHINA
 WEB: www.chinatungsten.com EMAIL: sales@chinatungsten.com
 TEL: +86 592 5129696; FAX: +86 592 5129797

TYPE H SERIES

<p>WHABBH001</p>	<p>WHABBH002</p>
<p>N.W. (KG/PC) 0.74</p>	<p>N.W. (KG/PC) 0.71</p>
<p>WHABBH003</p>	<p>WHABBH004</p>
<p>N.W. (KG/PC) 0.69</p>	<p>N.W. (KG/PC) 0.64</p>
<p>WHABBH005</p>	<p>WHABBH006</p>
<p>N.W. (KG/PC) 1.48</p>	<p>N.W. (KG/PC) 0.59</p>

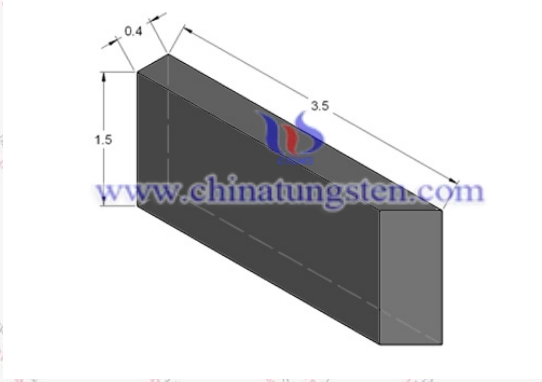
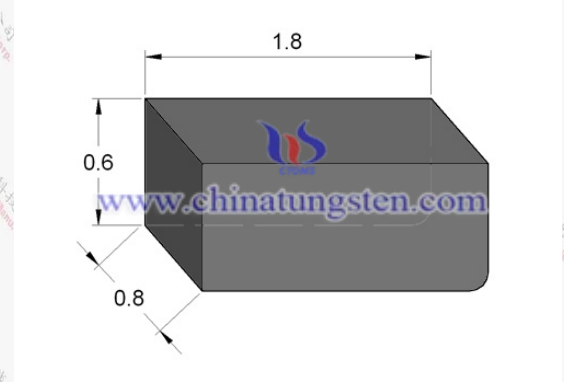
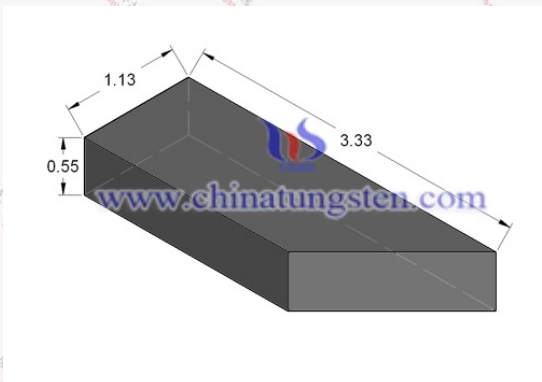
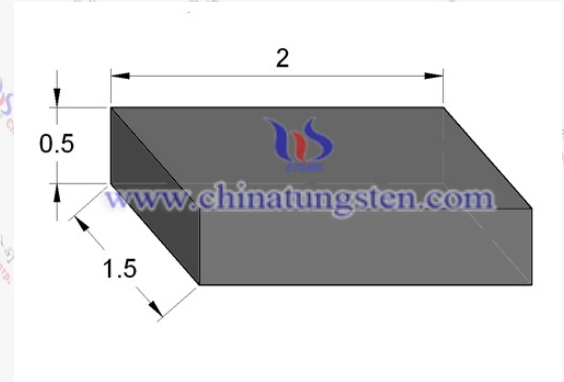
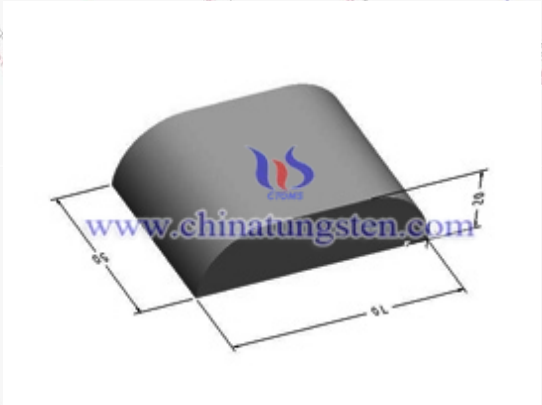
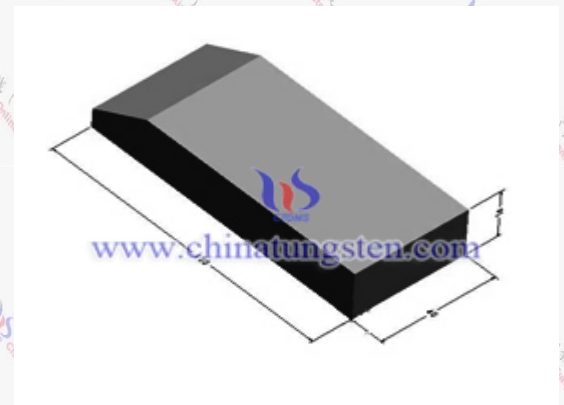
REGISTRATION NO.: 350203200148826
 VAT REGISTRATION NO.: 350203705441383
 BANK: AGRICULTURAL BANK OF CHINA, XIAMEN BR.
 A/C: 40303014040001427

EMERGENCY CALL: +86 592 512 9595
 DETAILS INFORMATION: www.chinatungsten.com
 ISO CERTIFICATE NO. 00113Q22863R05/3502
 DOC NO. CTOMS-MBD-A-00 2010-2015VERSION



中钨在线 (厦门) 科技有限公司
ChinaTungsten Online (Xiamen) Manu. & Sales Corp.

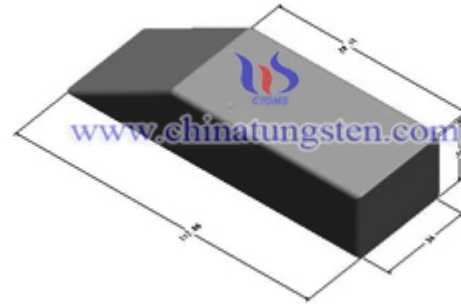
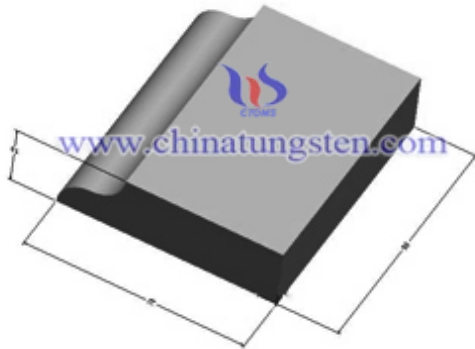
3F, NO.25 WH RD, XIAMEN SOFTWARE PARK II, FJ 361008, CHINA
 WEB: www.chinatungsten.com EMAIL: sales@chinatungsten.com
 TEL: +86 592 5129696; FAX: +86 592 5129797

			
WHABBH007		WHABBH008	
N.W. (KG/PC)	0.59	N.W. (KG/PC)	0.25
			
WHABBH009		WHABBH010	
N.W. (KG/PC)	0.66	N.W. (KG/PC)	0.45
			
WHABBH011		WHABBH012	
N.W. (KG/PC)	4.00	N.W. (KG/PC)	2.30



中钨在线 (厦门) 科技有限公司
ChinaTungsten Online (Xiamen) Manu. & Sales Corp.

3F, NO.25 WH RD, XIAMEN SOFTWARE PARK II, FJ 361008, CHINA
 WEB: www.chinatungsten.com EMAIL: sales@chinatungsten.com
 TEL: +86 592 5129696; FAX: +86 592 5129797



WHABBH013

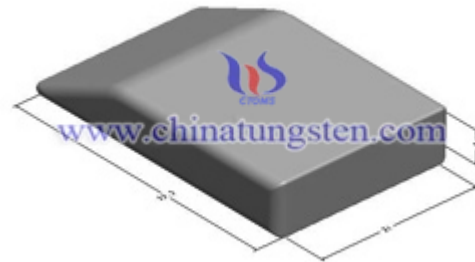
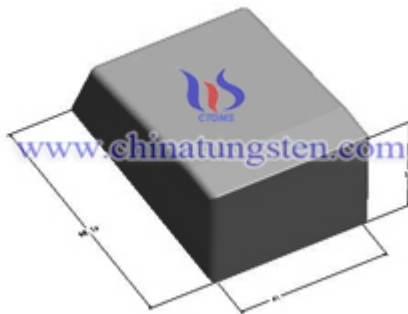
WHABBH014

N.W. (KG/PC)

1.85

N.W. (KG/PC)

1.60



WHABBH015

WHABBH016

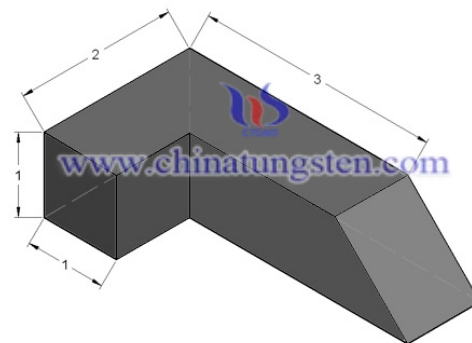
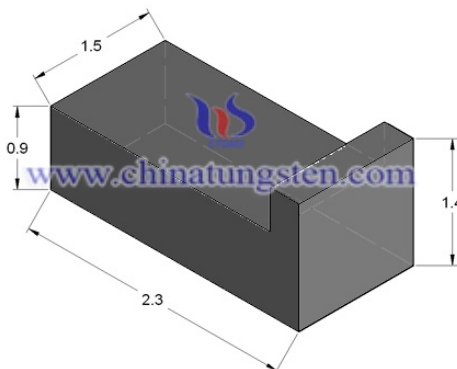
N.W. (KG/PC)

1.35

N.W. (KG/PC)

0.28

TYPE L SERIES



WHABBL001

WHABBL002

N.W. (KG/PC)

1.00

N.W. (KG/PC)

1.12

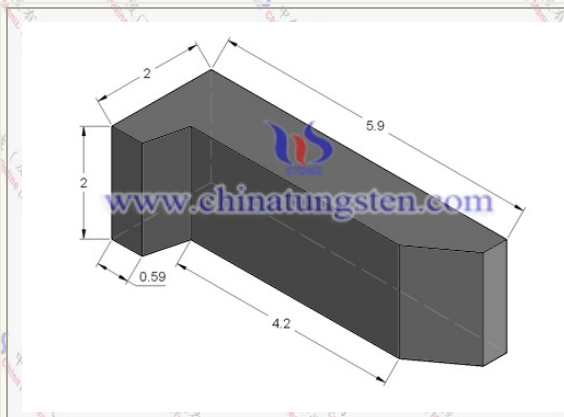
REGISTRATION NO.: 350203200148826
 VAT REGISTRATION NO.: 350203705441383
 BANK: AGRICULTURAL BANK OF CHINA, XIAMEN BR.
 A/C: 40303014040001427

EMERGENCY CALL: +86 592 512 9595
 DETAILS INFORMATION: www.chinatungsten.com
 ISO CERTIFICATE NO. 00113Q22863R0S/3502
 DOC NO. CTOMS-MBD-A-00 2010-2015VERSION



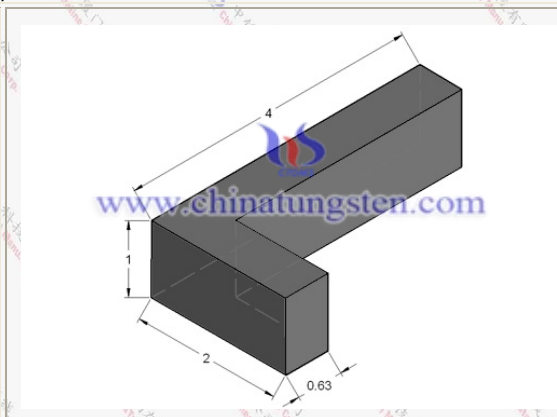
中钨在线 (厦门) 科技有限公司
ChinaTungsten Online (Xiamen) Manu. & Sales Corp.

3F, NO.25 WH RD, XIAMEN SOFTWARE PARK II, FJ 361008, CHINA
 WEB: www.chinatungsten.com EMAIL: sales@chinatungsten.com
 TEL: +86 592 5129696; FAX: +86 592 5129797



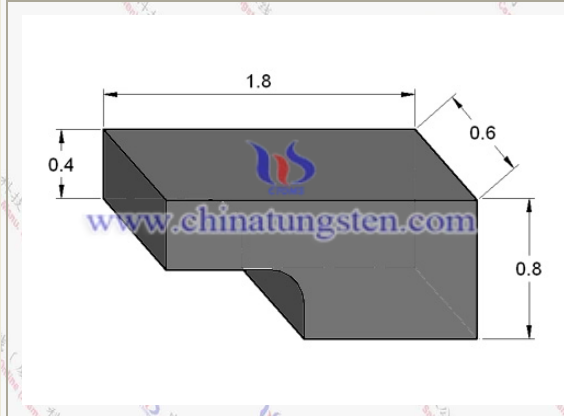
WHABBL003

N.W. (KG/PC) 4.20



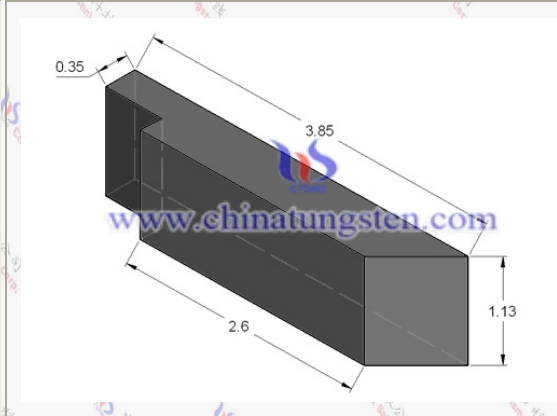
WHABBL004

N.W. (KG/PC) 1.00



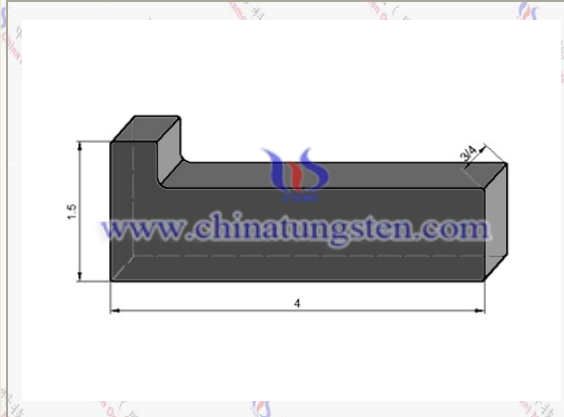
WHABBL005

N.W. (KG/PC) 0.25



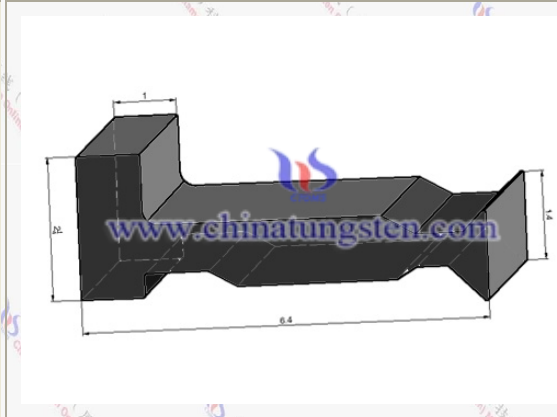
WHABBL006

N.W. (KG/PC) 0.66



WHABBL007

N.W. (KG/PC) 0.95



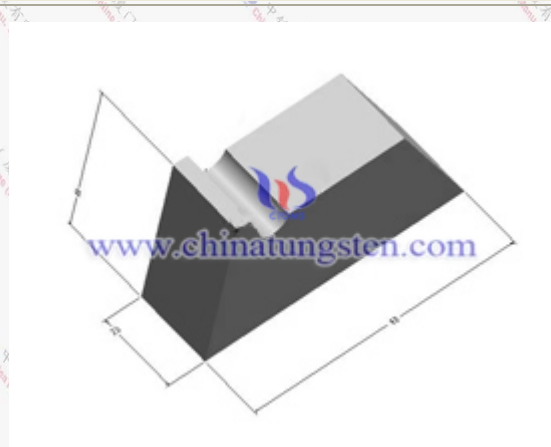
WHABBL008

N.W. (KG/PC) 2.0

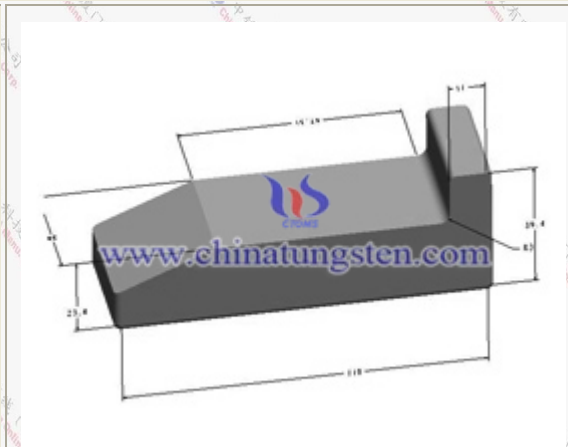


中钨在线 (厦门) 科技有限公司
ChinaTungsten Online (Xiamen) Manu. & Sales Corp.

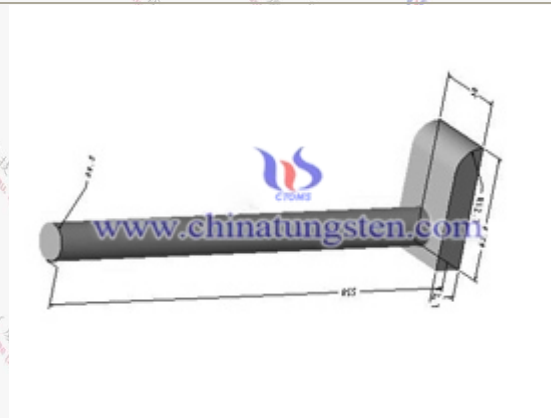
3F, NO.25 WH RD, XIAMEN SOFTWARE PARK II, FJ 361008, CHINA
 WEB: www.chinatungsten.com EMAIL: sales@chinatungsten.com
 TEL: +86 592 5129696; FAX: +86 592 5129797



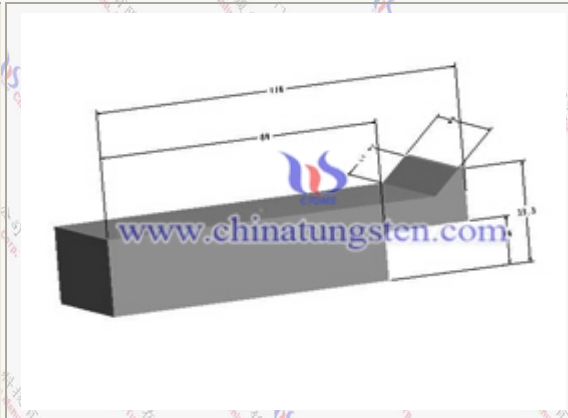
WHABBL009	
N.W. (KG/PC)	1.64



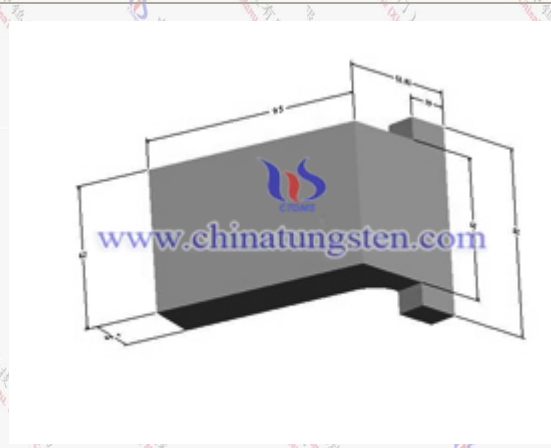
WHABBL010	
N.W. (KG/PC)	1.89



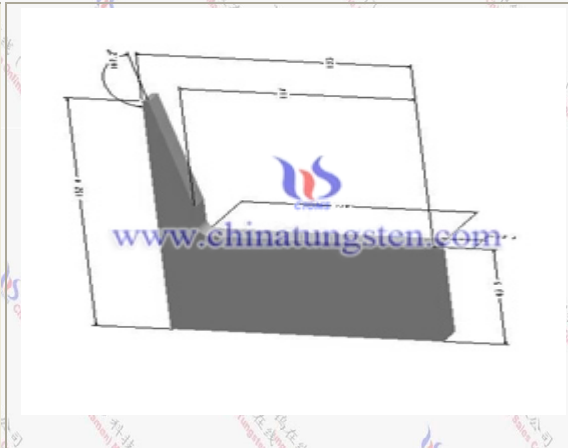
WHABBL011	
N.W. (KG/PC)	1.63



WHABBL012	
N.W. (KG/PC)	1.75



WHABBL013	
N.W. (KG/PC)	

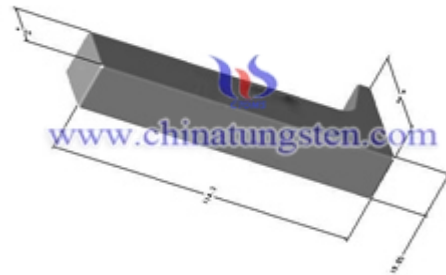
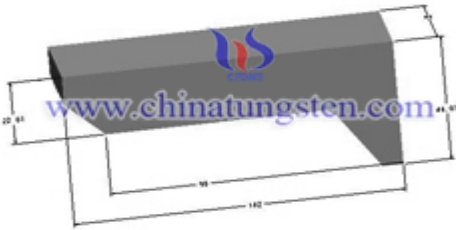


WHABBL014	
N.W. (KG/PC)	



中钨在线 (厦门) 科技有限公司
ChinaTungsten Online (Xiamen) Manu. & Sales Corp.

3F, NO.25 WH RD, XIAMEN SOFTWARE PARK II, FJ 361008, CHINA
 WEB: www.chinatungsten.com EMAIL: sales@chinatungsten.com
 TEL: +86 592 5129696; FAX: +86 592 5129797



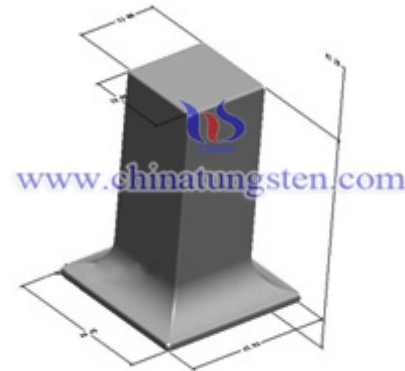
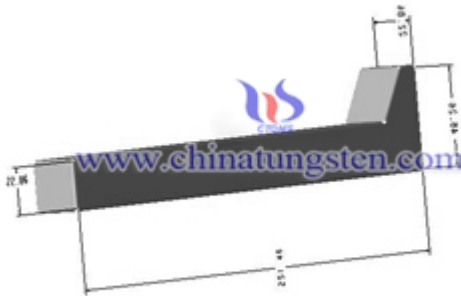
WHABBL015

WHABBL016

N.W. (KG/PC)

N.W. (KG/PC)

1.06



WHABBL017

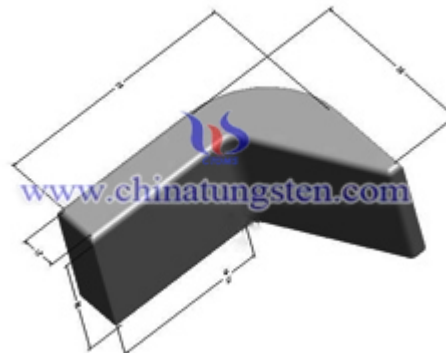
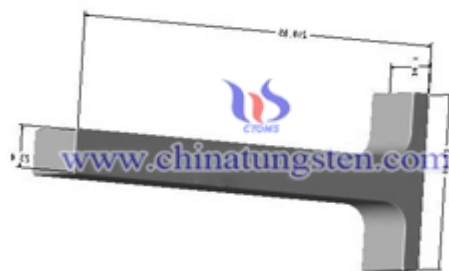
WHABBL018

N.W. (KG/PC)

0.40

N.W. (KG/PC)

0.84



WHABBL019

WHABBL020

N.W. (KG/PC)

4.25

N.W. (KG/PC)

1.50

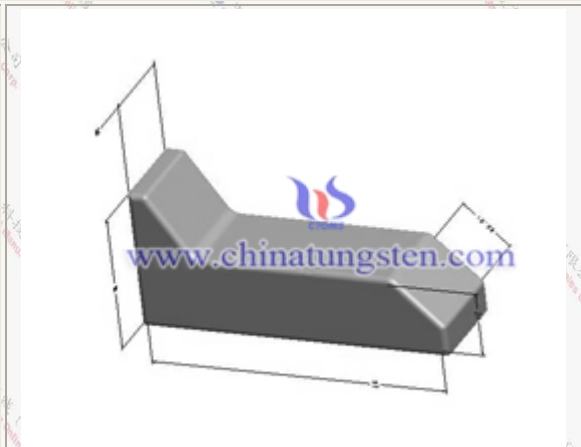
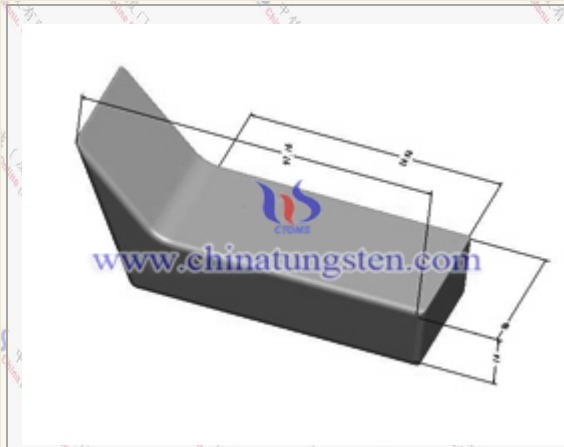
REGISTRATION NO.: 350203200148826
 VAT REGISTRATION NO.: 350203705441383
 BANK: AGRICULTURAL BANK OF CHINA, XIAMEN BR.
 A/C: 40303014040001427

EMERGENCY CALL: +86 592 512 9595
 DETAILS INFORMATION: www.chinatungsten.com
 ISO CERTIFICATE NO. 00113Q22863R0S/3502
 DOC NO. CTOMS-MBD-A-00 2010-2015VERSION



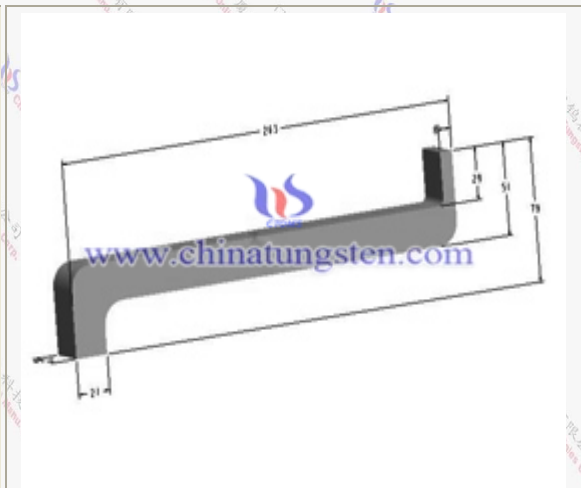
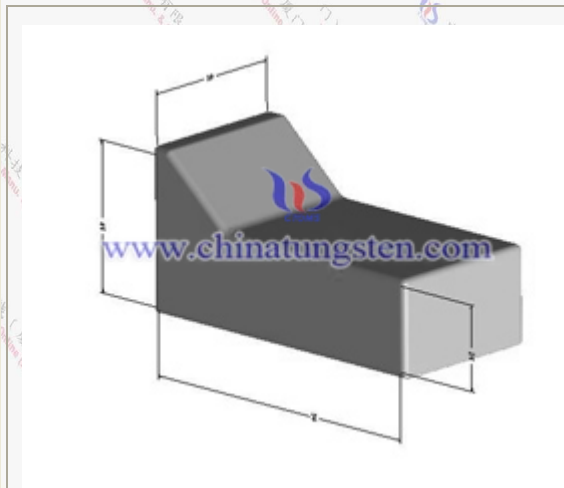
中钨在线 (厦门) 科技有限公司
ChinaTungsten Online (Xiamen) Manu. & Sales Corp.

3F, NO.25 WH RD, XIAMEN SOFTWARE PARK II, FJ 361008, CHINA
 WEB: www.chinatungsten.com EMAIL: sales@chinatungsten.com
 TEL: +86 592 5129696; FAX: +86 592 5129797



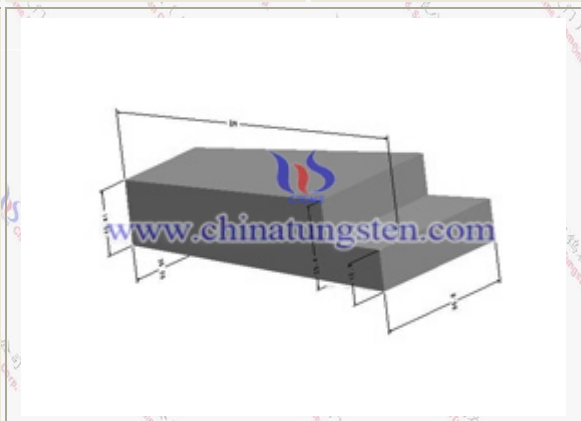
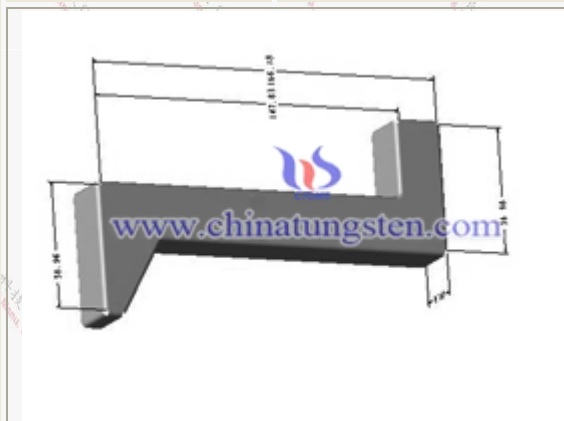
WHABBL021	
N.W. (KG/PC)	1.20

WHABBL022	
N.W. (KG/PC)	1.56



WHABBL023	
N.W. (KG/PC)	3.04

WHABBL024	
N.W. (KG/PC)	3.02



WHABBL025	
N.W. (KG/PC)	2.70

WHABBL026	
N.W. (KG/PC)	1.62

TYPE U SERIES

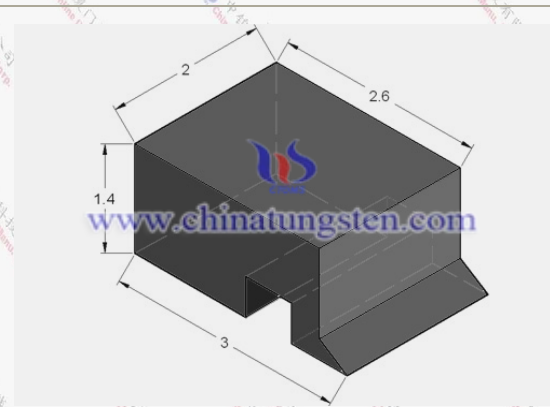
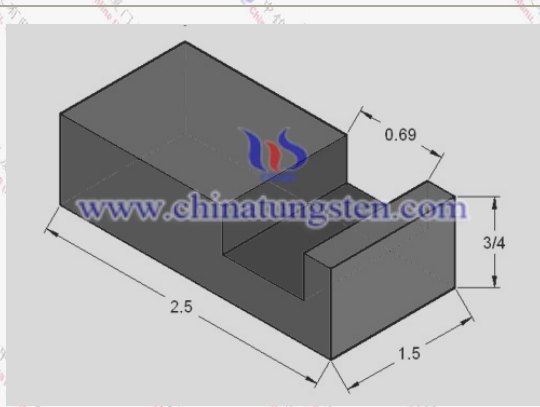
REGISTRATION NO.: 350203200148826
 VAT REGISTRATION NO.: 350203705441383
 BANK: AGRICULTURAL BANK OF CHINA, XIAMEN BR.
 A/C: 40303014040001427

EMERGENCY CALL: +86 592 512 9595
 DETAILS INFORMATION: www.chinatungsten.com
 ISO CERTIFICATE NO. 00113Q22863R0S/3502
 DOC NO. CTOMS-MBD-A-00 2010-2015VERSION



中钨在线 (厦门) 科技有限公司
ChinaTungsten Online (Xiamen) Manu. & Sales Corp.

3F, NO.25 WH RD, XIAMEN SOFTWARE PARK II, FJ 361008, CHINA
 WEB: www.chinatungsten.com EMAIL: sales@chinatungsten.com
 TEL: +86 592 5129696; FAX: +86 592 5129797



WHABBU001

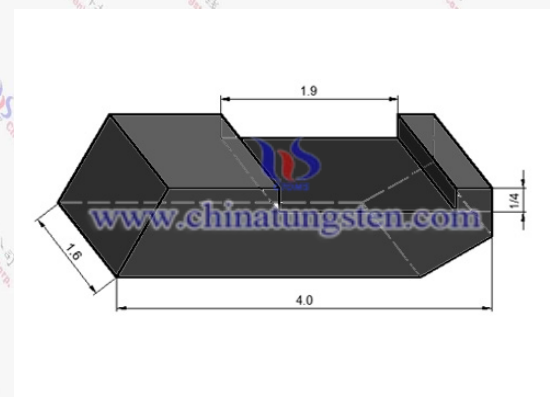
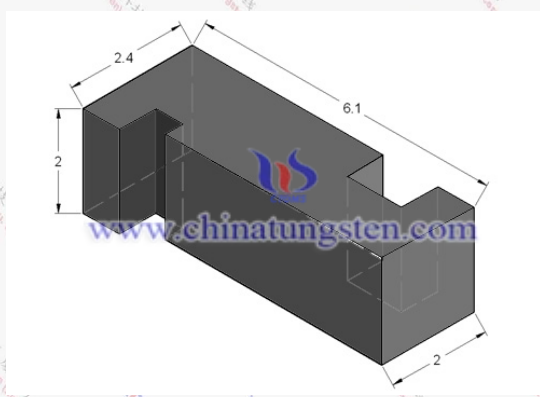
WHABBU002

N.W. (KG/PC)

0.70

N.W. (KG/PC)

2.0



WHABBU003

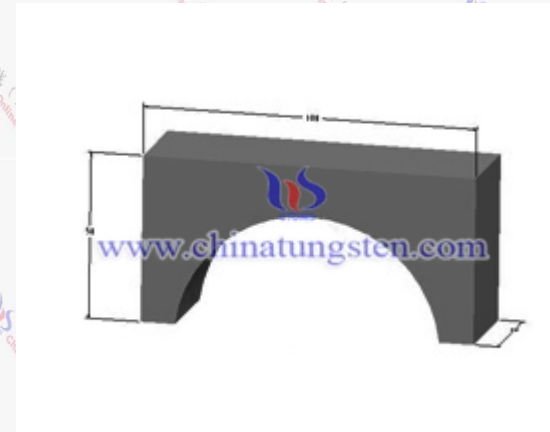
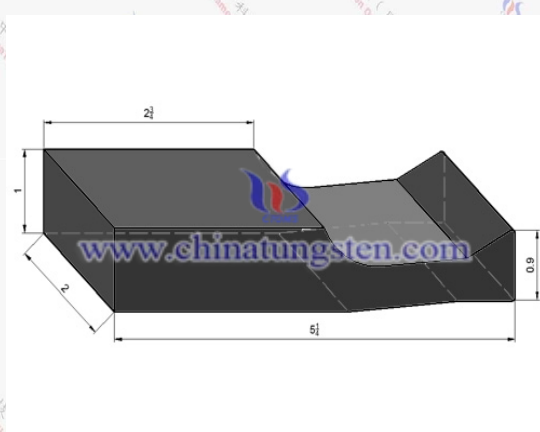
WHABBU004

N.W. (KG/PC)

7.45

N.W. (KG/PC)

1.40



WHABBU005

WHABBU006

N.W. (KG/PC)

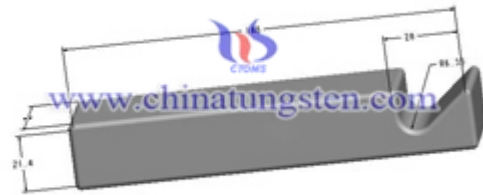
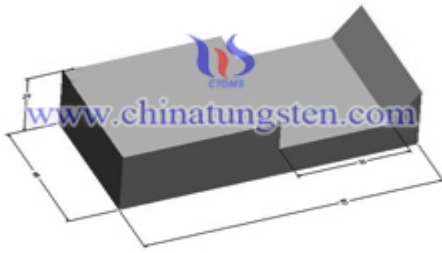
2.5

N.W. (KG/PC)



中钨在线 (厦门) 科技有限公司
ChinaTungsten Online (Xiamen) Manu. & Sales Corp.

3F, NO.25 WH RD, XIAMEN SOFTWARE PARK II, FJ 361008, CHINA
 WEB: www.chinatungsten.com EMAIL: sales@chinatungsten.com
 TEL: +86 592 5129696; FAX: +86 592 5129797



WHABBU007

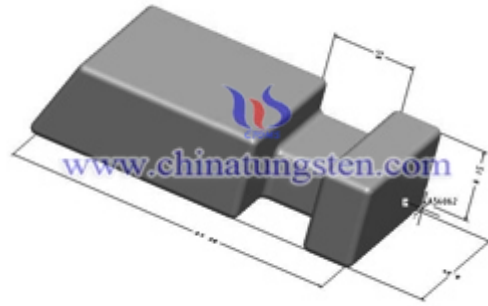
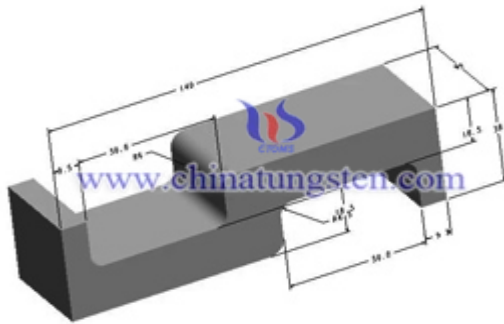
WHABBU008

N.W. (KG/PC)

0.97

N.W. (KG/PC)

2.52



WHABBU009

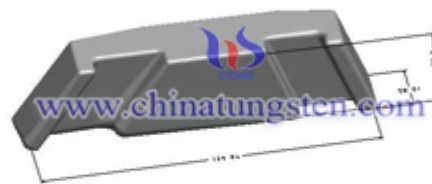
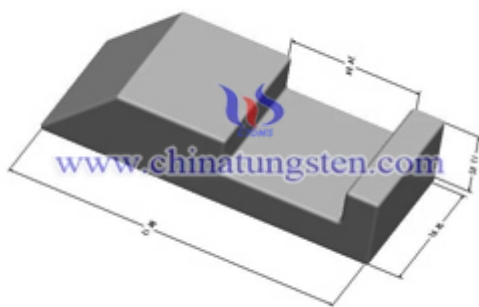
WHABBU010

N.W. (KG/PC)

2.34

N.W. (KG/PC)

2.01



WHABBU011

WHABBU012

N.W. (KG/PC)

0.79

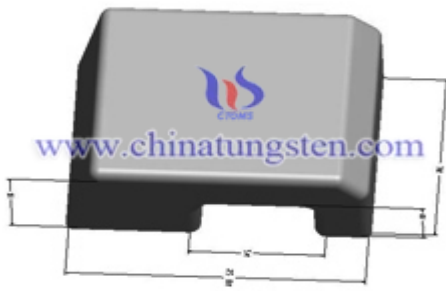
N.W. (KG/PC)

2.70



中钨在线 (厦门) 科技有限公司
ChinaTungsten Online (Xiamen) Manu. & Sales Corp.

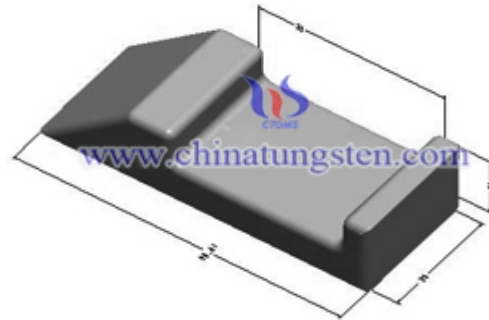
3F, NO.25 WH RD, XIAMEN SOFTWARE PARK II, FJ 361008, CHINA
 WEB: www.chinatungsten.com EMAIL: sales@chinatungsten.com
 TEL: +86 592 5129696; FAX: +86 592 5129797



WHABBU013

N.W. (KG/PC)

0.58

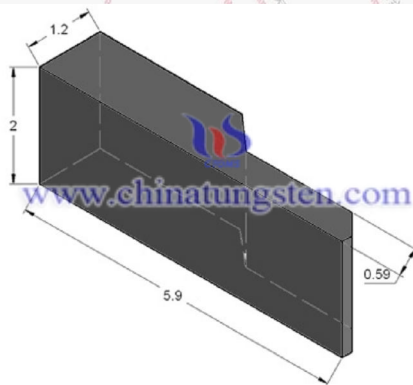


WHABBU014

N.W. (KG/PC)

1.08

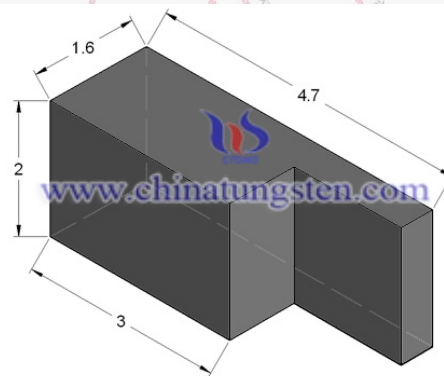
TYPE P SERIES



WHABBP001

N.W. (KG/PC)

2.80

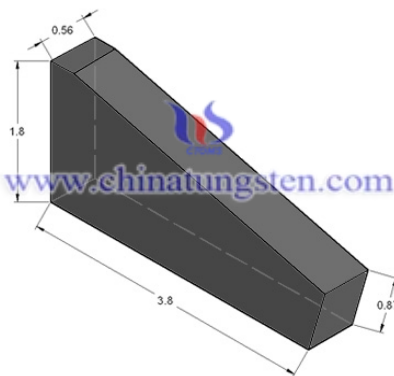


WHABBT002

N.W. (KG/PC)

3.25

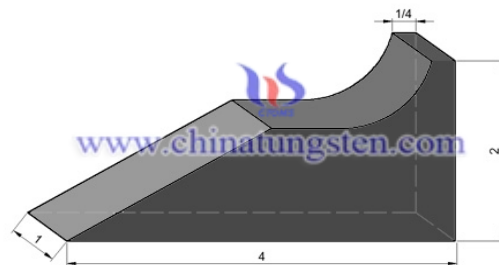
TYPE T SERIES



WHABBT001

N.W. (KG/PC)

1.40



WHABBT002

N.W. (KG/PC)

1.20

REGISTRATION NO.: 350203200148826
 VAT REGISTRATION NO.: 350203705441383
 BANK: AGRICULTURAL BANK OF CHINA, XIAMEN BR.
 A/C: 40303014040001427

EMERGENCY CALL: +86 592 512 9595
 DETAILS INFORMATION: www.chinatungsten.com
 ISO CERTIFICATE NO. 00113Q22863R0S/3502
 DOC NO. CTOMS-MBD-A-00 2010-2015VERSION



中钨在线 (厦门) 科技有限公司 ChinaTungsten Online (Xiamen) Manu. & Sales Corp.

3F, NO.25 WH RD, XIAMEN SOFTWARE PARK II, FJ 361008, CHINA
 WEB: www.chinatungsten.com EMAIL: sales@chinatungsten.com
 TEL: +86 592 5129696; FAX: +86 592 5129797

Tungsten Bucking Bar Available for Sale

The below is tungsten bucking bar available list from Chinatungsten Online with the most detailed sizes and weights. They were resulted from some formal orders from other clients. If you are interested in our stock, please contact us directly via sales@chinatungsten.com for the best offer.

NO.	Dimensions (inch)	Q'ty (pcs)	Notes
WHABBH001	4×1×0.63	54	Good
		16	Blank
WHABBT001	4×1.8×0.9	16	Good
WHABBU001	2.5×1.5×0.75	4	Good
		40	Blank
		40	Blank with nicks
WHABBL001	2×1.5×0.5	4	Good
		22	Blank
WHABBH002	2.5×1.5×0.75	3	Good
		40	Blank
WHABBL002	3×2×1	2	Good
		10	Blank
WHABBH003	3×1.6×0.5	1	Good
WHABBH004	2×1×1	3	Good
		32	Blank
WHABBL006	3.8×1.2×0.6	2	Good
		20	Blank
WHABBU002	3×2×1.4	1	Good
WHABBL004	4×1×2	20	Good
		10	Blank
WHABBH006	3.5×1.5×0.4	21	Good
WHABBH010	2×1.5×0.5	1	Good
		52	Blank
WHABBU004	4×1.9×1.6	10	Blank
WHABBU005	4×2×0.9	6	Blank
WHABBT002	4.7×3×2	8	Blank