

PHOENIX STEELS

Phoenix Profiled Sheet

Most of the material used in Phoenix Steels' Production is produced by British Steel Plc.

Colourcoat®

Phoenix Steels' policy is to buy British whenever commercially possible. In line with this policy our stock and coatings are from TATA (formerly British Steel) Colourcoat PVC Plastisol range, including the full HPS 200, Accent colours and a selected range of Colourcoat Pvf2 colours

Also available from stock, is Colourcoat lining enamel for interior application.

In addition to the standard colours, any of the Colourcoat range of products can be supplied subject to enquiry.

Colourcoat HP 200 Plastisol

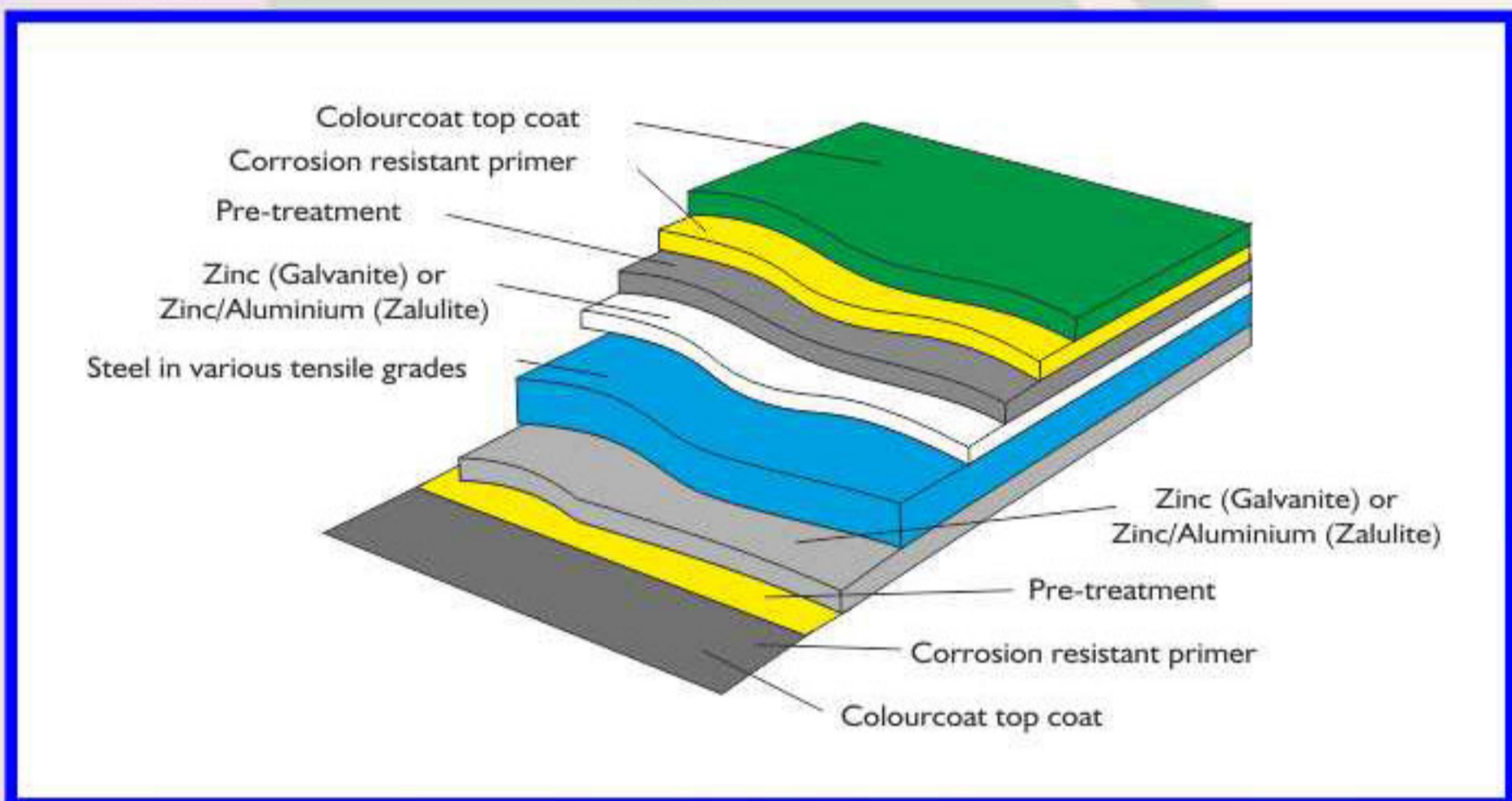
BSC Colourcoat HP 200 Plastisol is produced to an exclusive formulation. BSC pioneered the development of Plastisol coatings and they are found on more UK cladding sheets than all other types added together. Colourcoat HP 200 Plastisol is the latest development of this highly successful product since its inception by BSC over twenty years ago.

Colourcoat HP 200 was formulated particularly for conditions prevailing in the UK. The thick 200 micron coating is tough, and can withstand rough treatment in the workshop, during transit and on site. It is also durable and has good colour stability and opacity. The colour range consists of 14 shades and the 11 Accent colours.

Durability

In normal environments in the UK, and given proper maintenance, Colourcoat HP 200 can have a life expectancy on the weatherside of over forty years. Regular attention is necessary to achieve a life of this length, but the period to first maintenance ranges from 10-25 years depending on the environment, the profile, the orientation and the colour. Maintenance is usually minimal.

For information regarding the performance of Colourcoat Pvf2 in more aggressive environments, please contact our technical department.



Customer Support

For further details please contact our Sales and Technical Information Office.

Colour Selector

Some of the standard colours are listed below, however, many more colours are available on request.

The colours shown are only a guide due to the limitations of the printing process. Please ask for examples for exact colour match.

Colour Name	Code	Colour Name	Code	Colour Name	Code	Colour Name	Code
White	00E55	Goosewing Grey	10A05	Meadowland	12B17	Hamlet	RAL 9002
Albatross	18B17	Merlin Grey	18B25	Moorland Green	12B21	Honesty	10C31
Wedgewood Blue	18C37	Raven	18B29	Heritage Green	RAL 6002	Mushroom	10B19
Ocean Blue	18C39	Anthracite	RAL 7016	Olive Green	12B27	Terracotta	04C39
Sargasso	RAL 5003	Black	00E53	Juniper Green	12B29	Vandyke Brown	08B29

Also available in polyester

Product Description

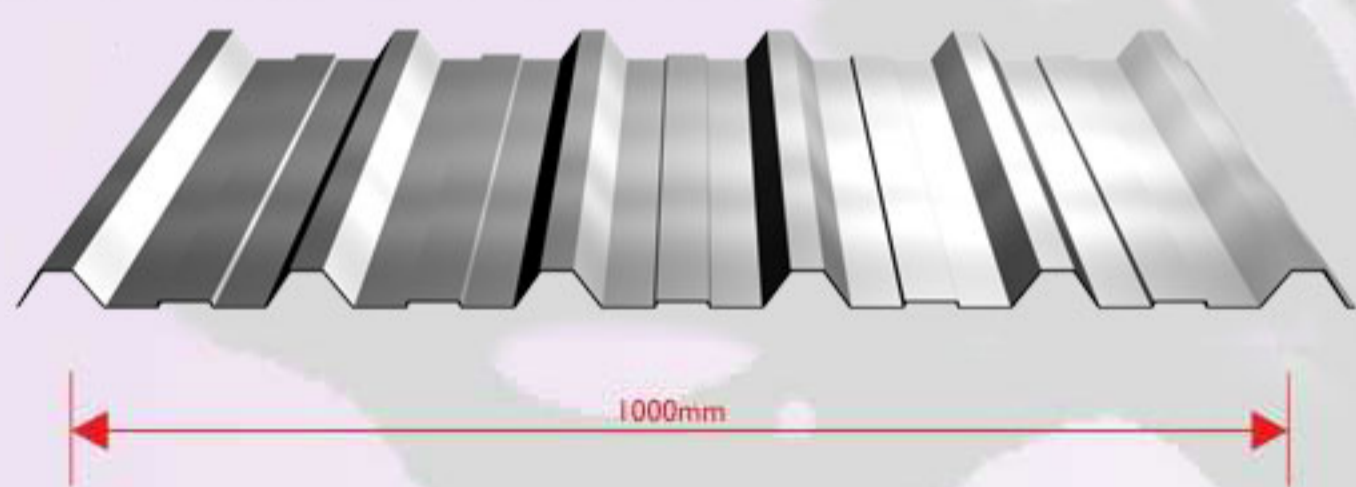
Phoenix profiles are an economical roof and wall profile. Manufactured by Phoenix Steels from prefinished steel coil, the 1000mm cover width ensures easy on-site handling. The wide pan allows for foot trafficking, improved drainage and will provide a weather proof membrane down to a 4° pitch. Phoenix profiles incorporate a full under-roll side lap to give maximum weather protection.

Fire Properties

Manufactured from steel, all profiles are designated as AA to B.S.476 Part 3 thereby deemed to satisfy provisions of The Building Regulations 1985 Approved Document B, Appendix A, Table A4 Part II.

Profile sheets are also designated as Class 0 to The Building Regulation by virtue of tests to 8.5.476 Part 6 (1>12;1>6) combined with a Class I surface spread of flame to 8.5.476 Part 7.

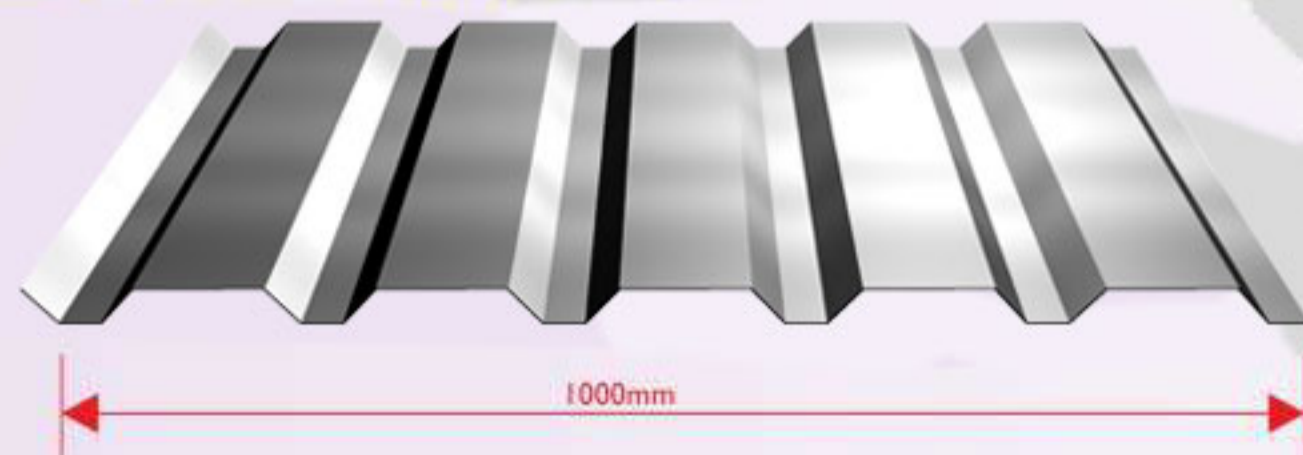
Phoenix Steels Roof 33/1000



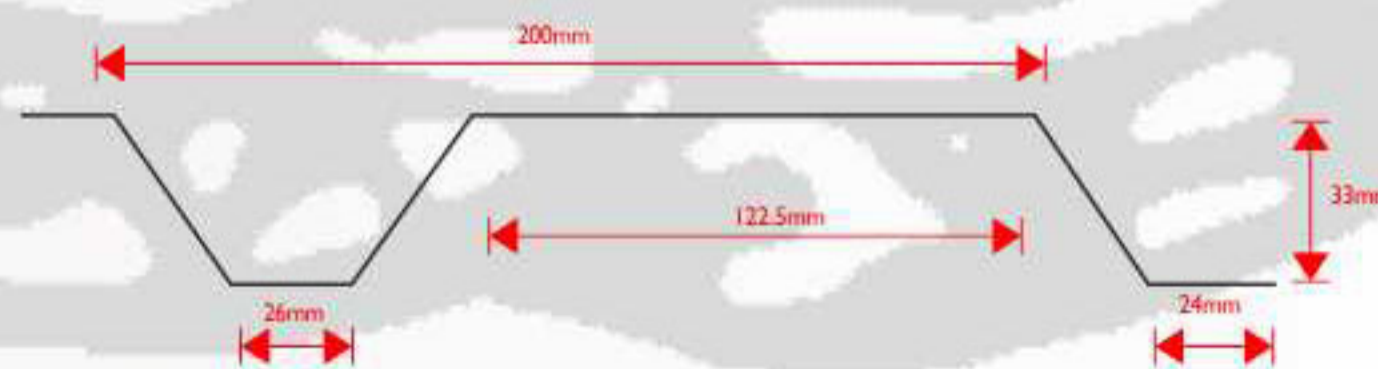
Ref: PS.R 33/1000



Phoenix Steels Wall 33/1000



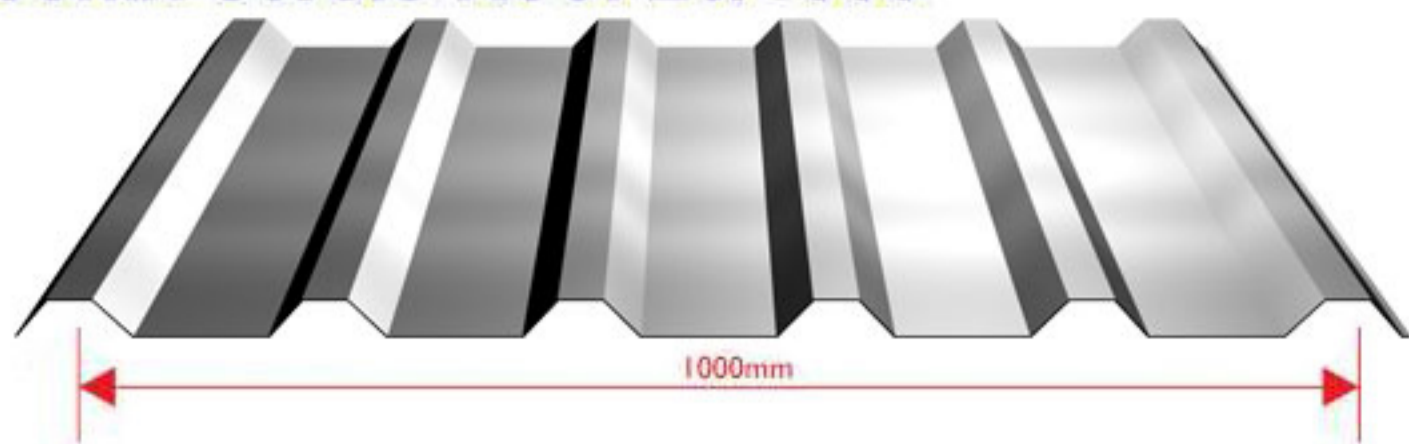
Ref: PS.W 33/1000



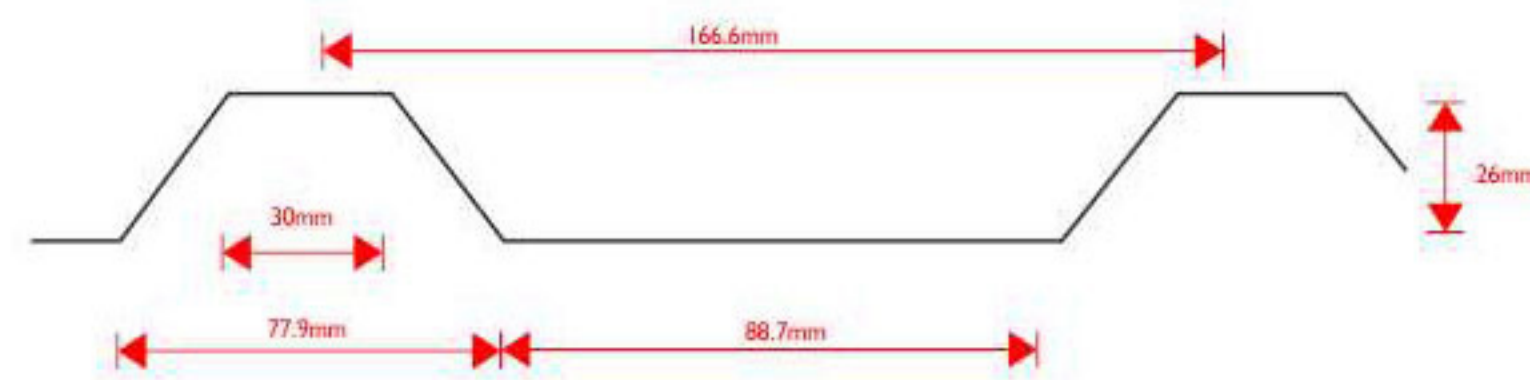
Allowable Loads in kN/m² (Self Weight and Imposed) deflection L/200

Span Condition	Profile Thickness (mm)	Span (metres)								
		1.00	1.25	1.50	1.75	2.00	2.25	2.50	2.75	3.00
SINGLE	0.5	3.22	2.06	1.43	1.01	0.68	0.48	0.35	0.26	0.20
	0.7	5.00	3.20	2.22	1.45	0.97	0.68	0.50	0.37	0.29
DOUBLE	0.5	2.62	1.84	1.36	1.05	0.84	0.68	0.57	0.48	0.41
	0.7	4.42	3.08	2.27	1.75	1.39	1.13	0.94	0.79	0.66
TRIPLE	0.5	3.14	2.21	1.65	1.27	1.02	0.83	0.66	0.49	0.39
	0.7	5.31	3.72	2.75	2.13	1.69	1.29	0.94	0.71	0.55

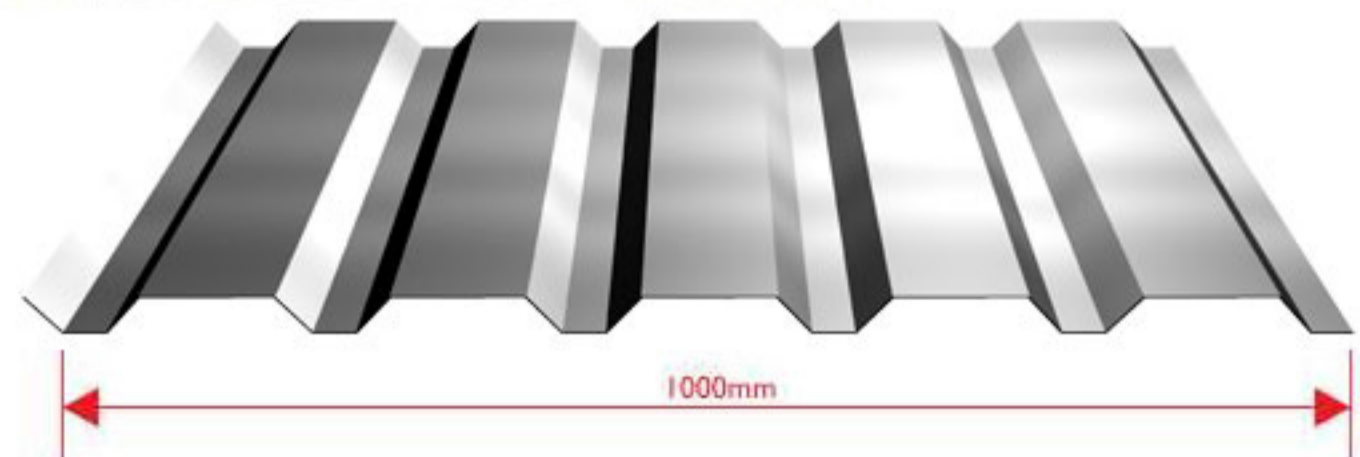
Phoenix Steels Roof 26/1000



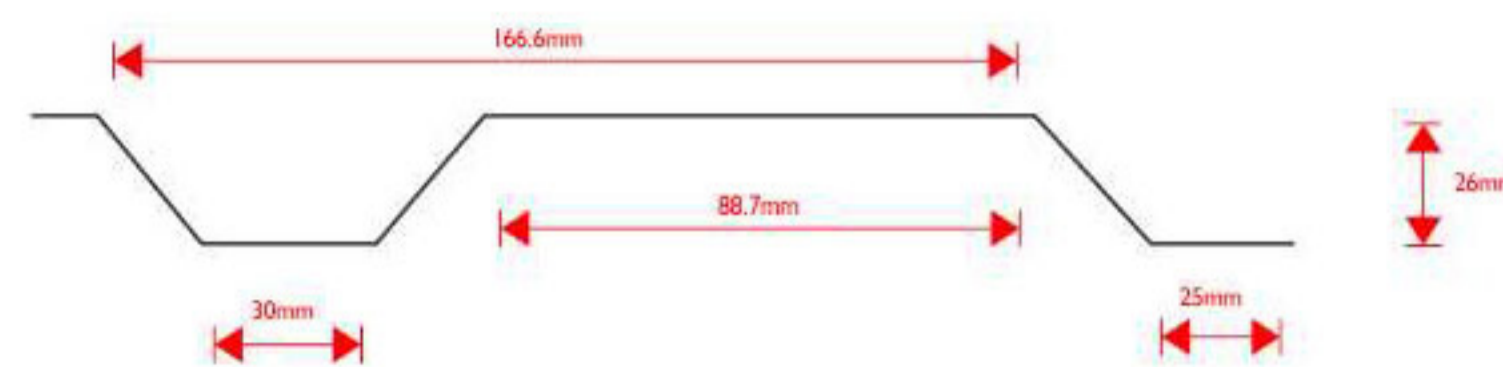
Ref: PS.R 26/1000



Phoenix Steels Wall 26/1000



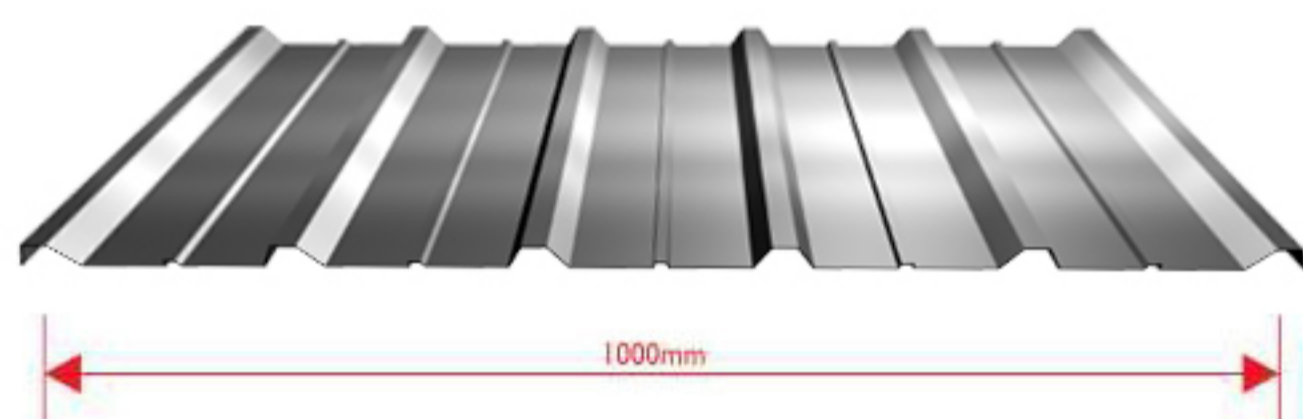
Ref: PS.W 26/1000



Allowable Loads in kN/m² (Self Weight and Imposed) deflection L/200

Situation	Nominal	Span Condition	Load Type	Span (metres)							
				1.40	1.60	1.80	2.00	2.20	2.40	2.60	2.80
ROOF PROFILE: PS26 GRADE ZI	0.70mm wt: 7.3kg/m ²		SUPER	2.02	1.53	1.20	0.96	0.78	0.59	0.45	0.34
			EXC.S	2.89	2.19	1.71	1.36	1.11	0.92	0.77	0.65
			WIND	2.02	1.46	1.06	0.79	0.61	0.49	0.40	0.33
			WIND	1.68	1.34	1.10	0.90	0.73	0.61	0.51	0.43
			EXC.S	2.39	1.62	1.57	1.28	1.04	0.86	0.72	0.61
			WIND	2.13	1.64	1.31	1.07	0.89	0.75	0.65	0.57
WALL FINE RIB	0.55mm wt: 5.6kg/m ²		PRESSURE	1.47	1.13	0.89	0.72	0.59	0.52	0.42	0.36
			SUCTION	1.33	1.00	0.80	0.65	0.52	0.40	0.31	0.25
			PRESSURE	1.14	0.92	0.76	0.64	0.54	0.45	0.38	0.33
			SUCTION	1.47	1.13	0.89	0.72	0.59	0.50	0.42	0.36

PS L 19/1000



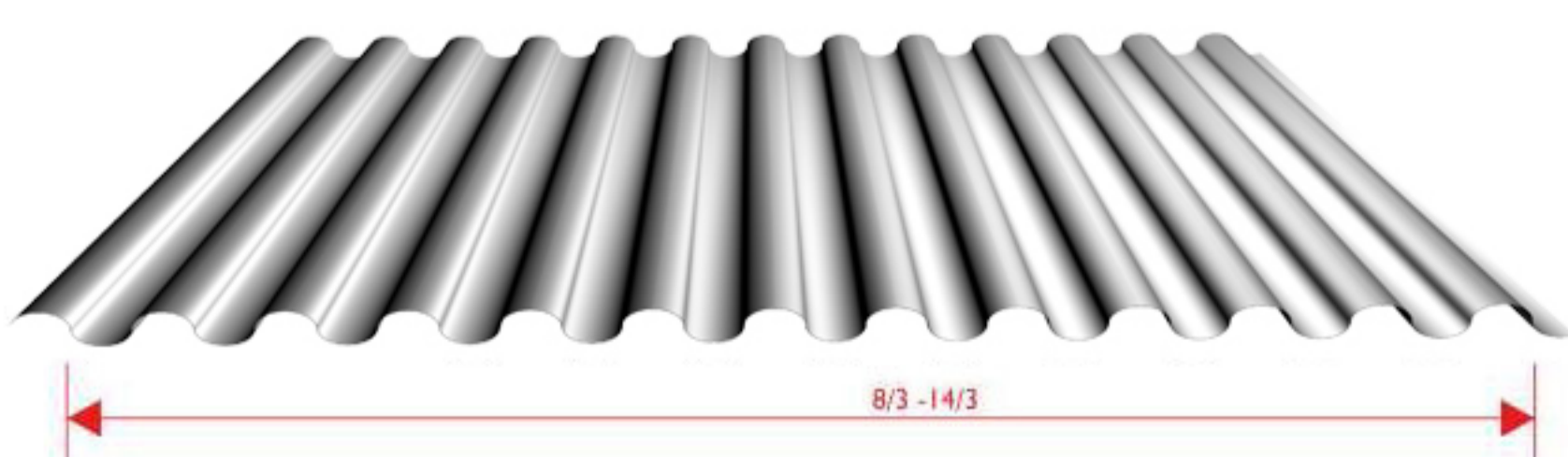
Phoenix Steels Roof and cladding liner



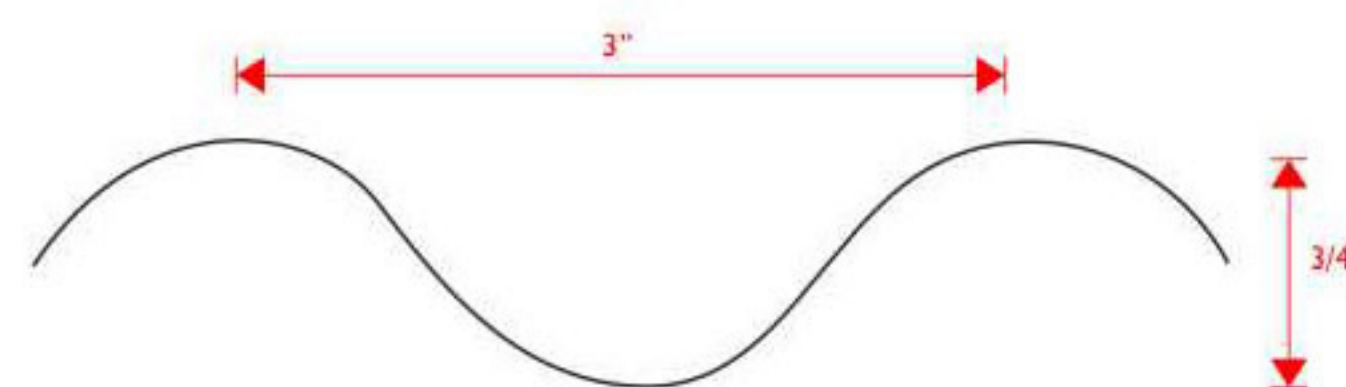
Ref: PS. L 19/1000. Deflection L/150

Span Condition	Profile Thickness (mm)	Span (metres)										
		1.00	1.20	1.40	1.60	1.80	2.00	2.20	2.40	2.60	2.80	3.00
	0.4	1.46	1.00	0.69	0.46	0.32	0.23	0.18	0.13	0.11	0.08	0.07
	0.5	1.90	1.31	0.93	0.62	0.44	0.32	0.24	0.18	0.14	0.11	0.09
	0.55	2.11	1.45	1.04	0.70	0.49	0.39	0.27	0.20	0.16	0.13	0.10
	0.7	2.52	1.73	1.26	0.86	0.60	0.44	0.33	0.25	0.20	0.16	0.13
	0.4	1.71	1.18	0.86	0.65	0.50	0.40	0.33	0.26	0.20	0.16	0.13
	0.5	2.21	1.53	1.11	0.84	0.65	0.52	0.42	0.35	0.27	0.22	0.18
	0.55	2.47	1.70	1.24	0.94	0.73	0.58	0.47	0.39	0.31	0.24	0.20
	0.7	3.00	2.07	1.51	1.15	0.82	0.65	0.52	0.43	0.35	0.29	0.26

3" Corrugated Steel



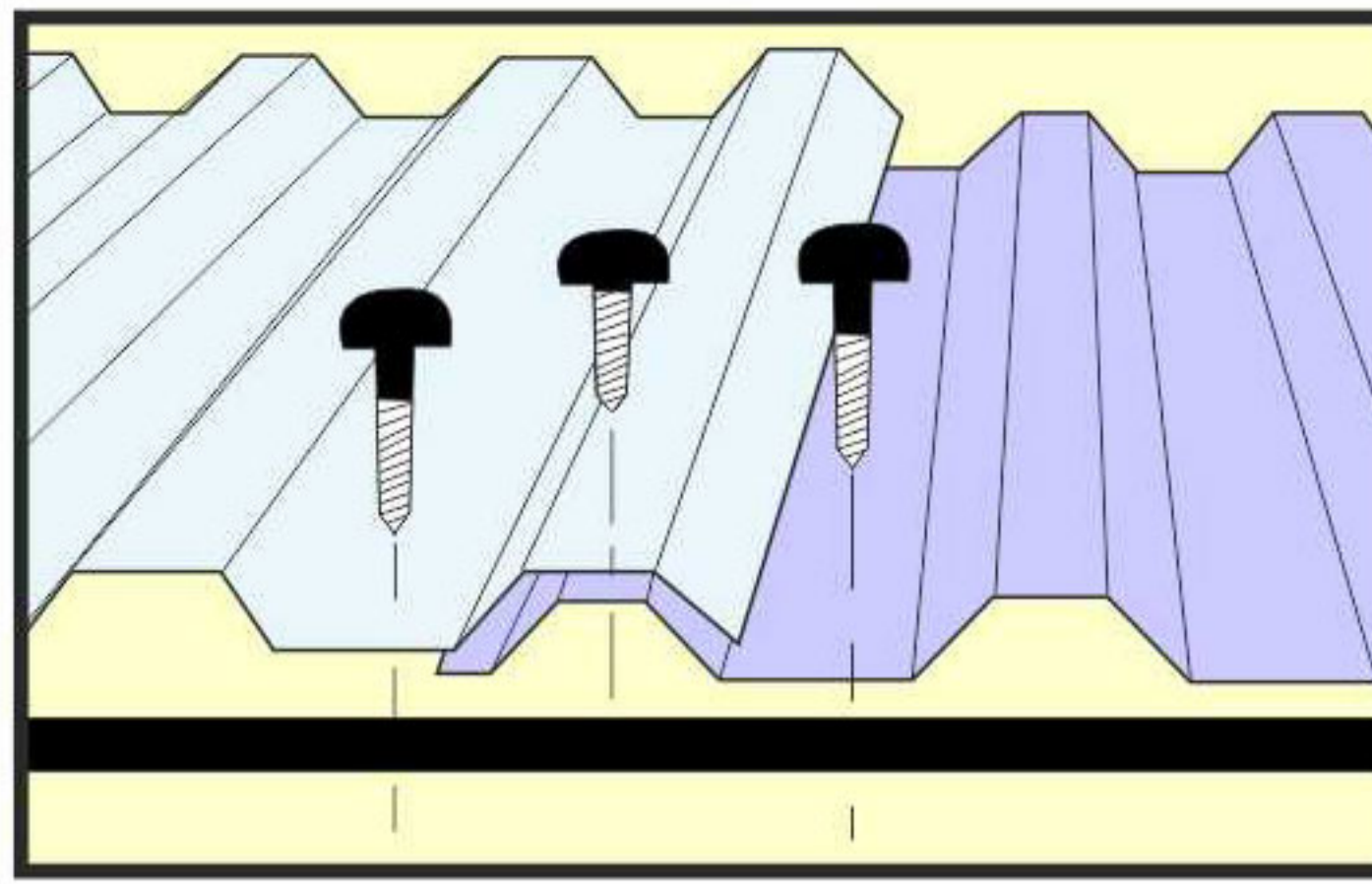
Widths Available from 8/3" to 14/3"



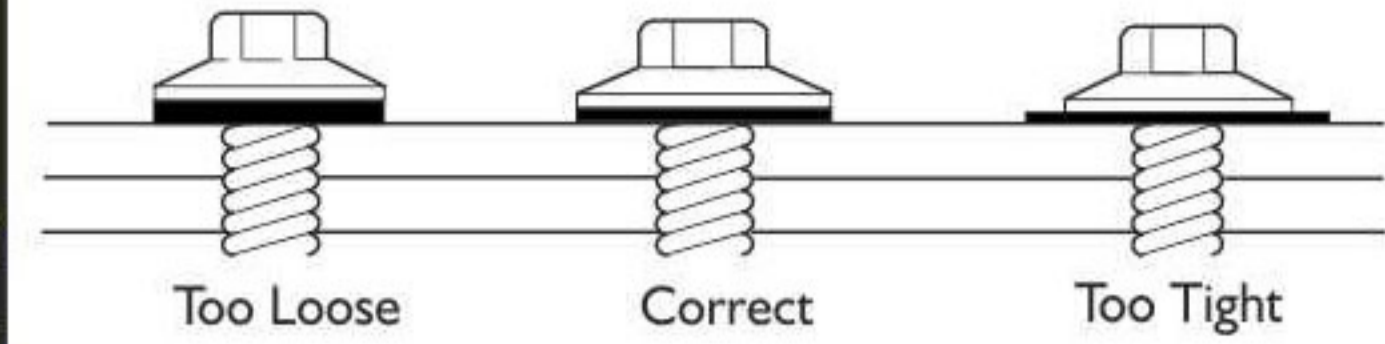
Span Condition	Profile Thickness (mm)	Span (metres)								
		1.00	1.25	1.50	1.75	2.00	2.25	2.50	2.75	3.00
SINGLE	0.45	2.38	1.22	0.71	0.44	0.30	0.21	0.16	0.11	0.09
	0.55	2.95	1.51	0.87	0.55	0.37	0.26	0.19	0.14	0.11
DOUBLE	0.70	3.77	1.93	1.12	0.77	0.47	0.33	0.23	0.18	0.14
	0.45	2.55	1.63	1.13	0.83	0.64	0.50	0.37	0.27	0.21

Fixing

Phoenix profiles are easy to fix and should be secured using self drilling screws through the troughs either side of the lap and two fixings through the centre trough. A full range of accessories including trims, gutters, fixings and soakers, GRP translucent roof lights in either single or double skin are also available on request.



It is important to ensure correct tightening torque is applied to the fastener to obtain maximum sealing and holding action



Flashings

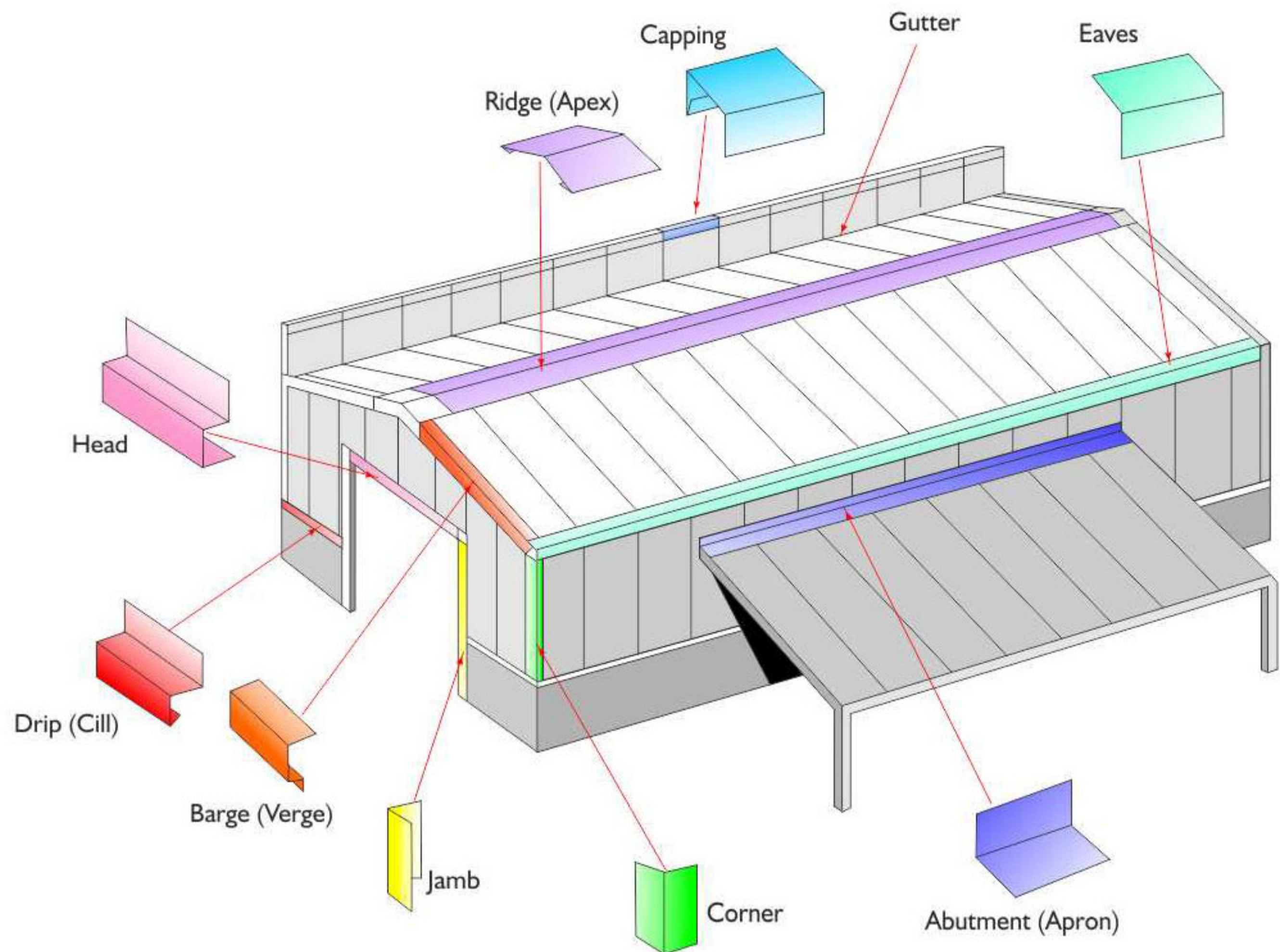
All flashings are purpose made to customers specifications in full range of colours and finishes in lengths of 2.45 metres - 5 metres.

It is advisable to specify welged edges for added rigidity as well as eliminating sharp edges, thus allowing easier on-site handling.

Flashings should be securely fixed using stitcher screws.

400mm centres on roof slopes under 15°. 450mm centres over 15°. Vertical flashings should be fixed at a maximum of 450mm centres.

For single span roof or wall construction, stitching should be maximum 300mm centres.



Overcladding

Phoenix profiles are eminently suitable for overcladding old or fragile roofs where the cost of removal and disposal would be extremely high, as often found with old asbestos roofs.

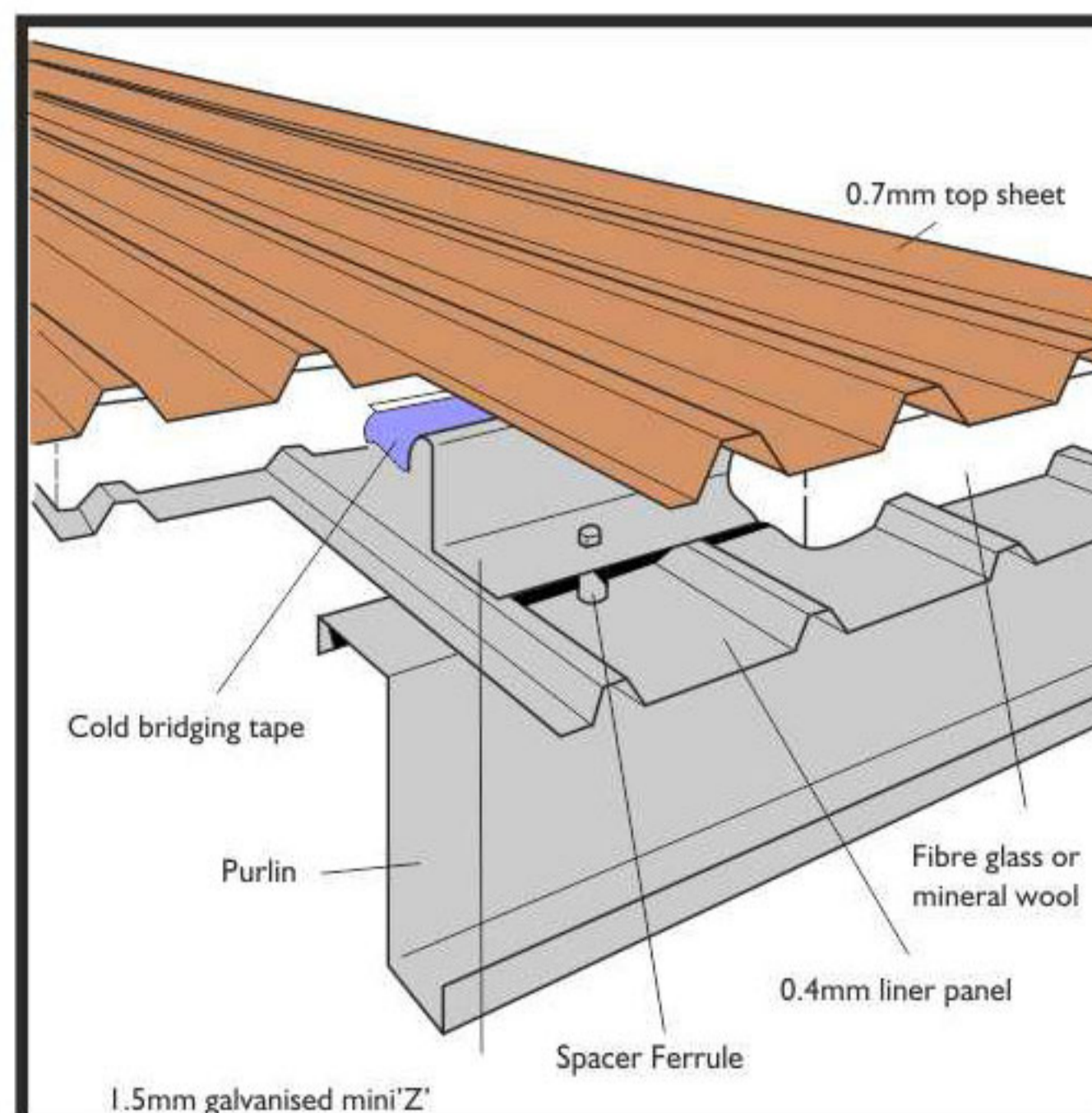
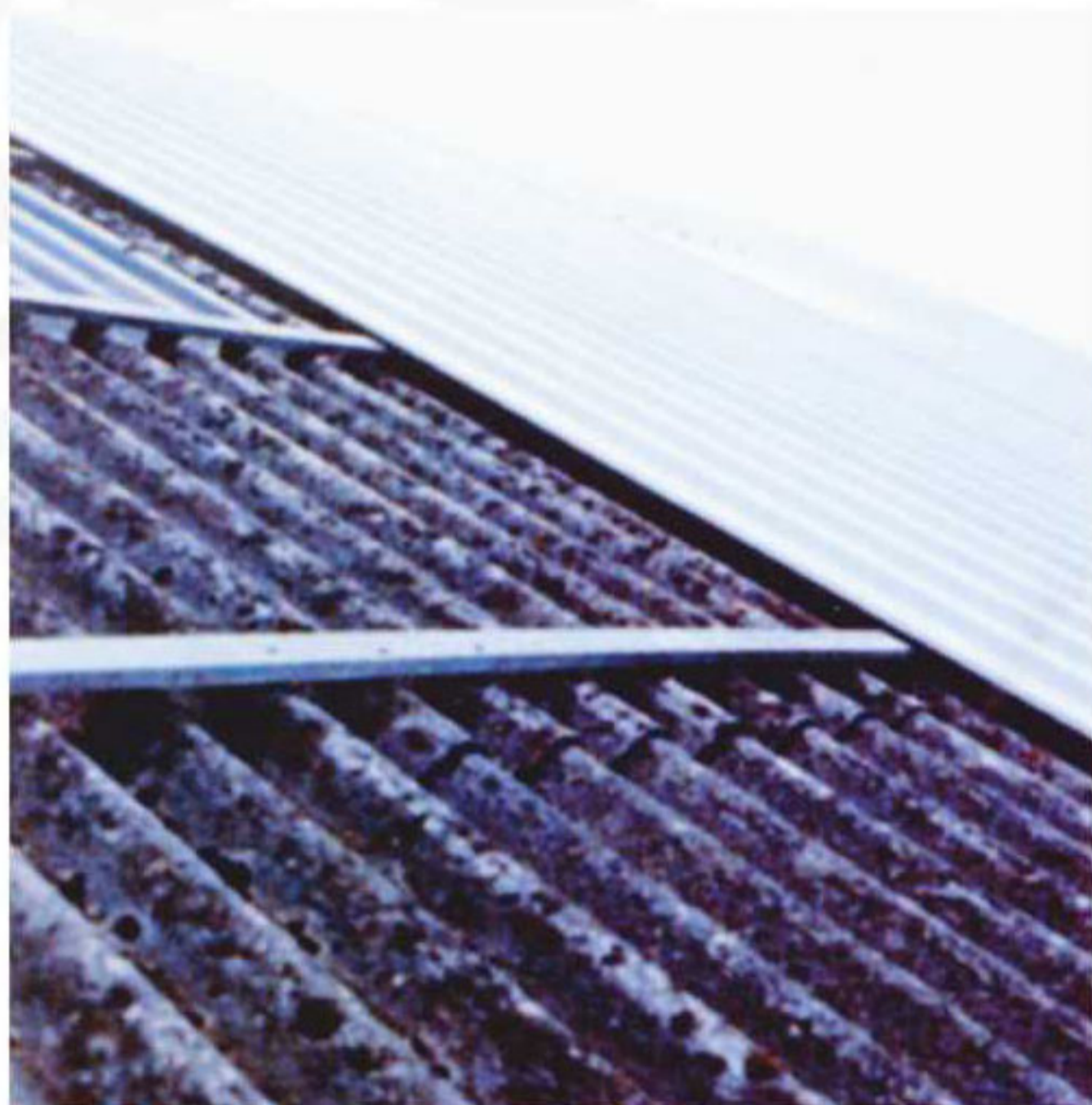
Internal Lining System

This is a twin layer system comprising of a top sheet and a white liner panel with mini z's providing the void to incorporate the wide range of fibrous materials currently available to meet the latest regulations regarding thermal properties.

Gutters

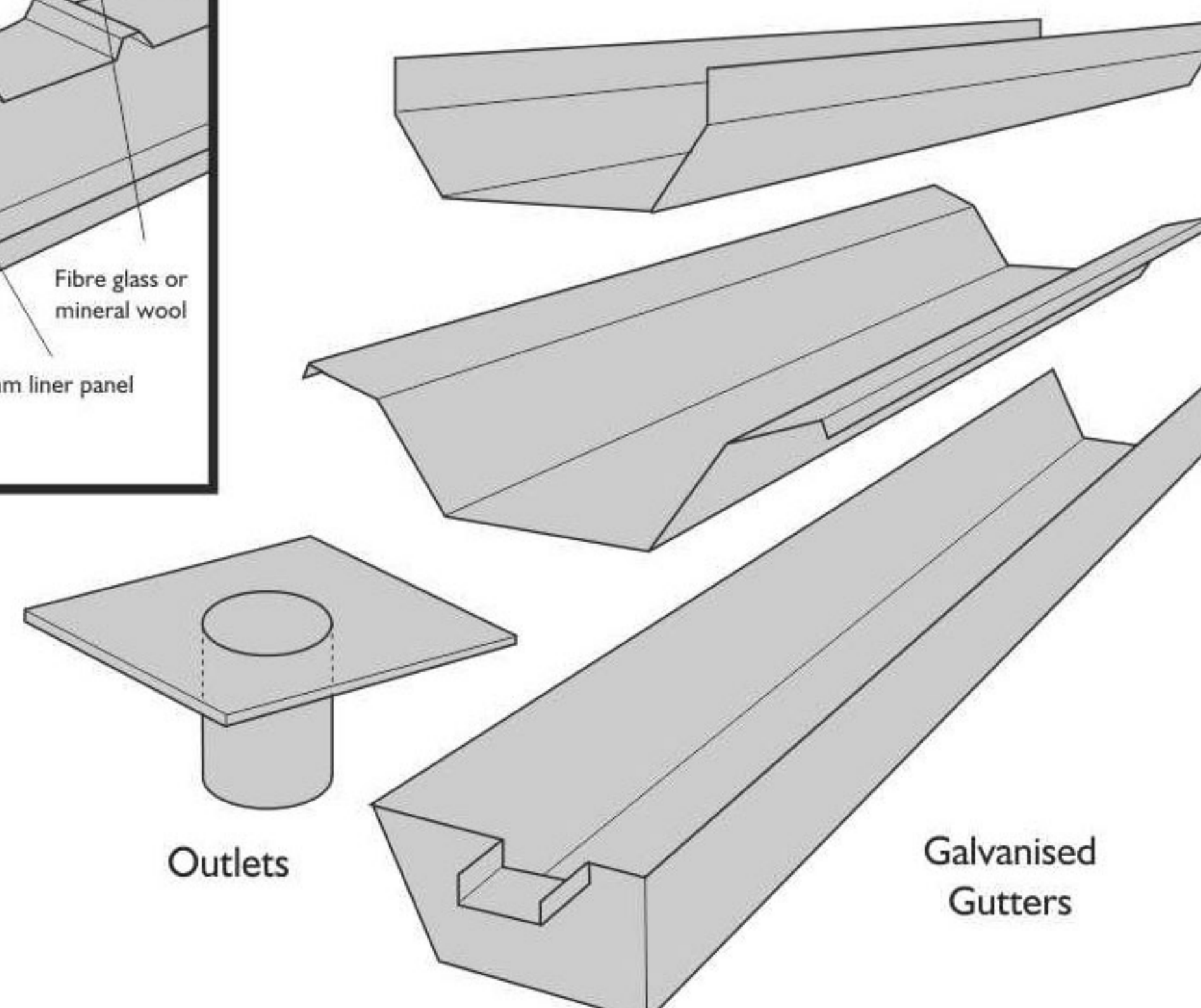
These are available in PVC, plastic coated and galvanised steel. Galvanised gutters, butt straps and top ends are made to order to suit various design requirements.

Galvanised - Where galvanised gutters are required, different shapes and sizes are needed in order to meet the needs of a particular building. All gutters stopends, outlets and butt straps are made to the customers specification and zinc coated to 275g/m².



New 'U' Values - With the introduction of new 'U' values - .25 w/m²°C, the standard may be achieved by using 160mm quilt when using a liner tray system or by 90mm insulation board when adopting a 'T bar' system.

A complete wall system constructed 'Over Rail' in the same manner as the roof construction, except that the outer sheeting is conventionally a 'reversed' profile which laps differently to conceal the join.



NEW

PHOENIX STEELS

NEW

TRADITIONAL TILE FORM SHEETING

The PHOENIX roofing system is a practical decision both for new and refurbishment projects, which also fits well in its environment and looks elegant.

For the understructure, only a lightweight batten/purlin assembly is required. In refurbished buildings this is an essential benefit, and it also reduces the total cost of the roofing project.



The unique high-capacity drainage channel on every tile sheet guarantees the water tightness even in stormy weather. There is no need for sidelap sealing. This also contributes to the versatility of the PHOENIX system plus its overall economy. Cross profiles have dampening effect to reduce noise to a minimum.

The sheets are easy to handle, weighing only 5 - 7.5kg/sq.m. Installation does not require special tools nor special practice further savings are possible due to easy installation. For fastening self-drilling screws are recommended to eliminate pre-drilling of sheets.



• EASY TO HANDLE

The roof system is ordered cut-to-length, ready for installation with no on-site cuttings required. This also means savings because no waste material arises.

Easy To Install In All Kinds of Roofing Application

1, Batten assembly and Underlay

A lightweight batten assembly is adequate for PHOENIX tilesheets.

2, Cutting

Sheets are supplied cut to length, but for pipes, aerials, etc it is sometimes necessary to cut the sheets on site. This is best carried out using a nibbler. Alternatively a fine toothed saw specially designed for cutting steel sheeting may be used. Lengthways slits may be cut using plate shears. NEVER cut the tilesheets with abrasive disc type tools.

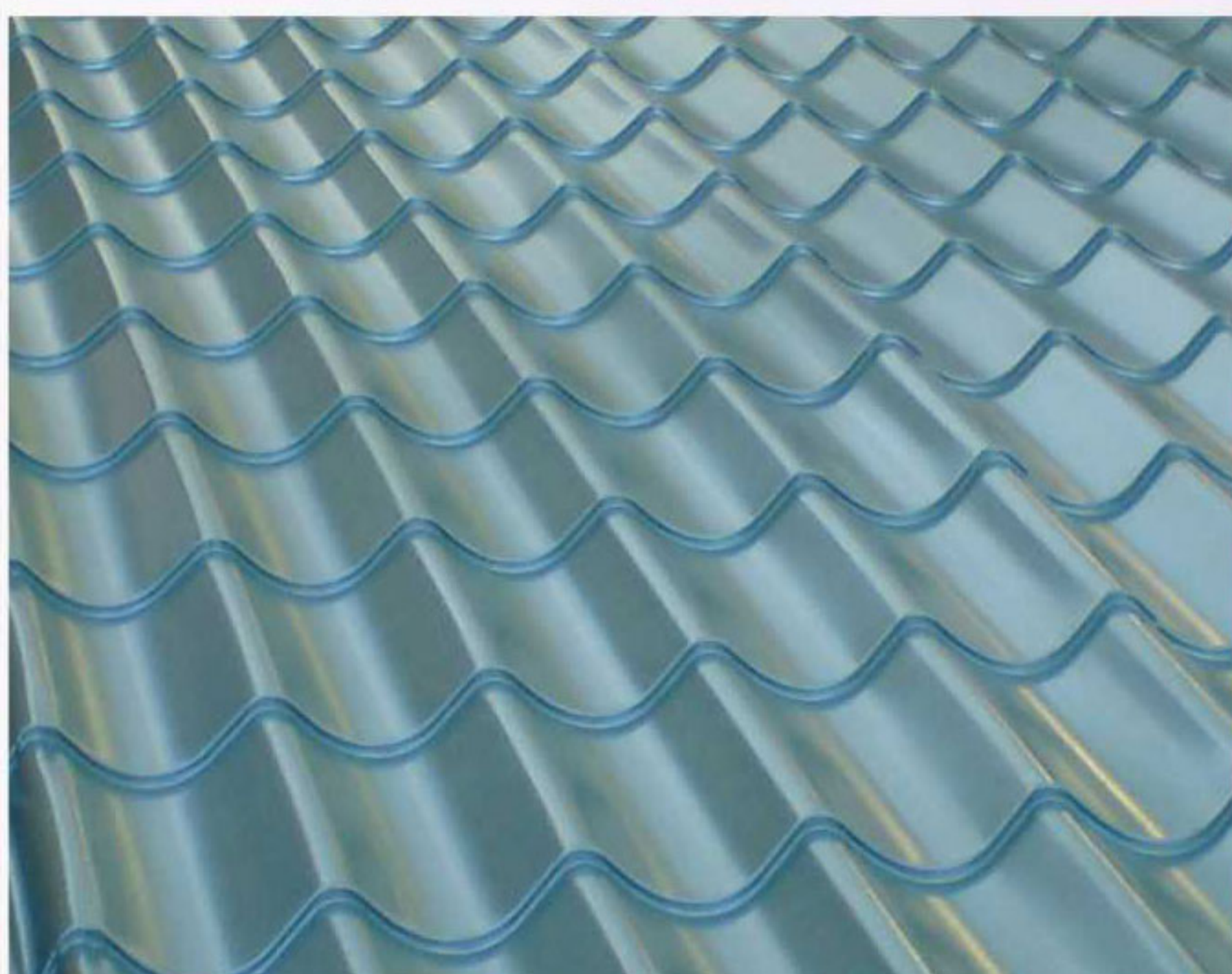
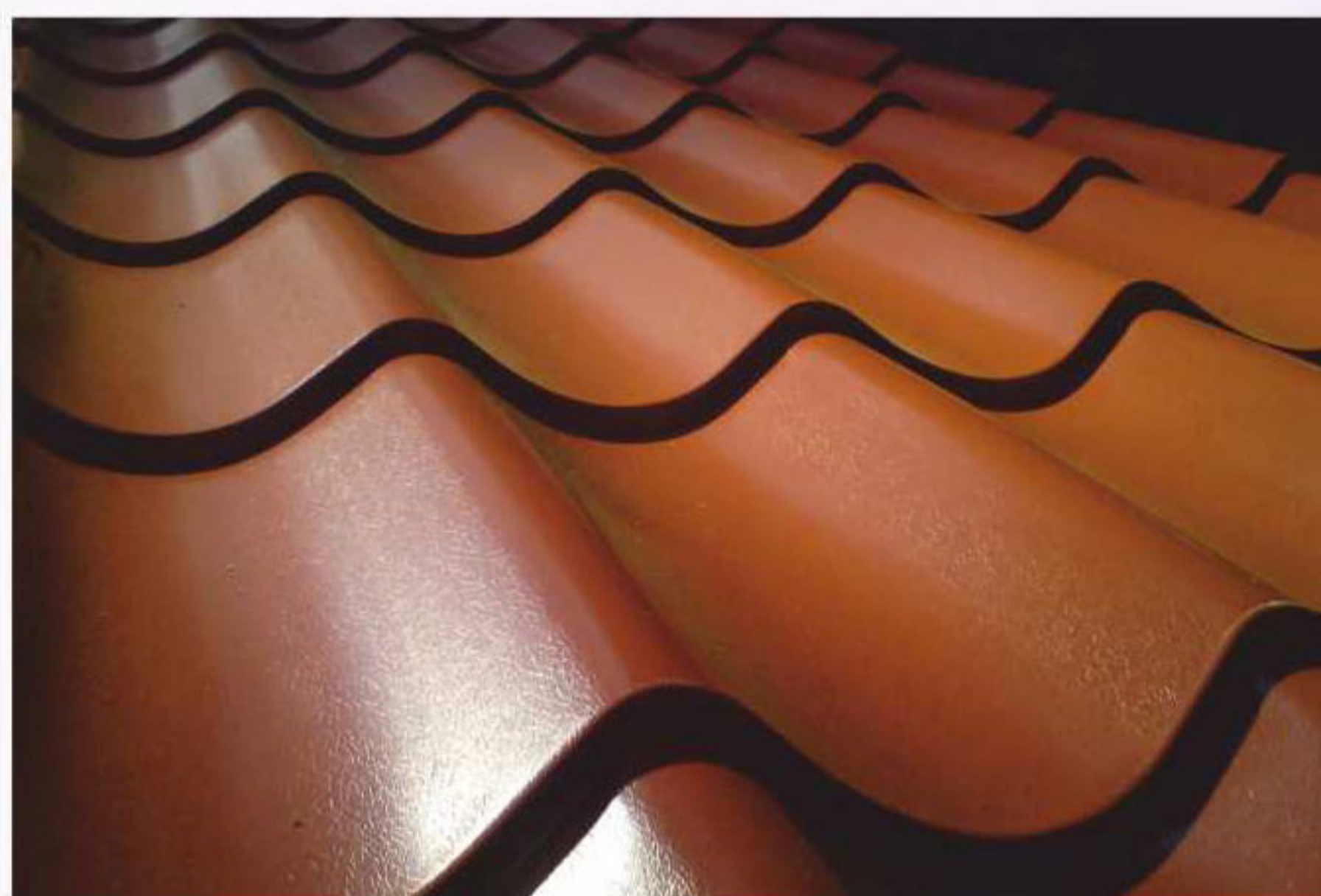
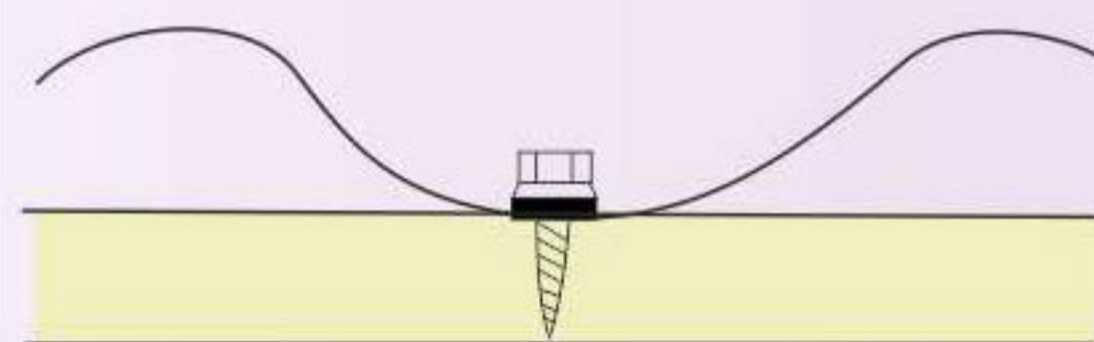
3, Fastening

The sheets are always laid at right angles to the eaves. The gable should not be used as a reference point. Every sheet should be fastened at once all over in the same way. The fastening starts from below at right and goes on upwards to the left.

4, Finishing

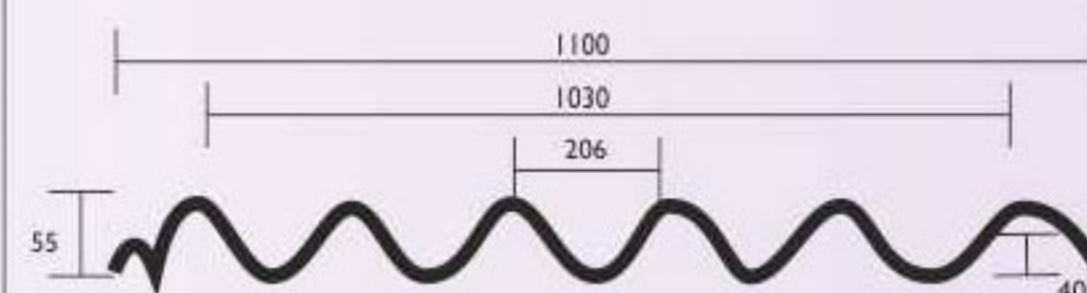
The roof is finished using matching accessories for a stylish and functional end result. (see inside cover)

Fastening with screws ensures a secure roof. Self drilling screws are recommended. A thick elastic rubber washer presses tightly against the surface of the sheet to protect effectively the point of penetration. Tilesheets are screwed only through the bases of the profile pan. The screws hold equally well in dry or wet timber, and the roof will stay securely fastened for year after year. Screws are available in the same colours as the PHOENIX tilesheets. PHOENIX tilesheets may also be fastened by nailing with roofing drive nails or grooved nails. Sheets are always nailed through the ridges. Sheets must be pre-drilled before nailing.



Elegance With A High Profile

- Minimum pitch 8 degrees
- Effective cover width 1030 mm
- Gauge of tile 300 - 400 mm
- Maximum sheet length 10000 mm
- Minimum sheet length 1030 mm
- Thickness 0.5 - 0.7 mm



PHOENIX STEELS (BHAM) CO. LTD

Incorporating FARMCLAD UK

Speedwell Road, Hay Mills, Yardley, Birmingham, B25 8EL;

Tel: 0121 707 0165 (3 lines) 0121 771 2451; Fax: 0121 771 4445

Email: sales@phoenixsteels.com www.phoenixsteels.com