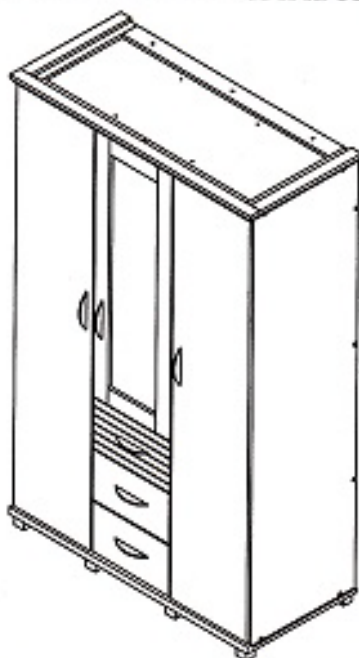




ITALIAN FURNITURE COMPANY (LEEDS) LTD.

ASSEMBLY INSTRUCTION

DOMINIC 3 DOORS WARDROBE



IMPORTANT : PLEASE READ THESE INSTRUCTIONS CAREFULLY BEFORE ATTEMPTING TO ASSEMBLE OR USE THIS ITEM.

THE PRODUCT YOU HAVE PURCHASED WILL GIVE YOU MANY YEARS OF SERVICE IF YOU FOLLOW THE GUIDELINES FOR ITS SAFE ASSEMBLY AND PERIODIC MAINTENANCE AND CLEANING.

ASSEMBLE ON A SOFT CLEAN SURFACE.

DO NOT USE ANY TOOLS OTHER THAN THOSE SHOWN.

ANY SPANNERS OR ALLEN KEYS REQUIRED ARE INCLUDED WITH THE FITTINGS KIT.

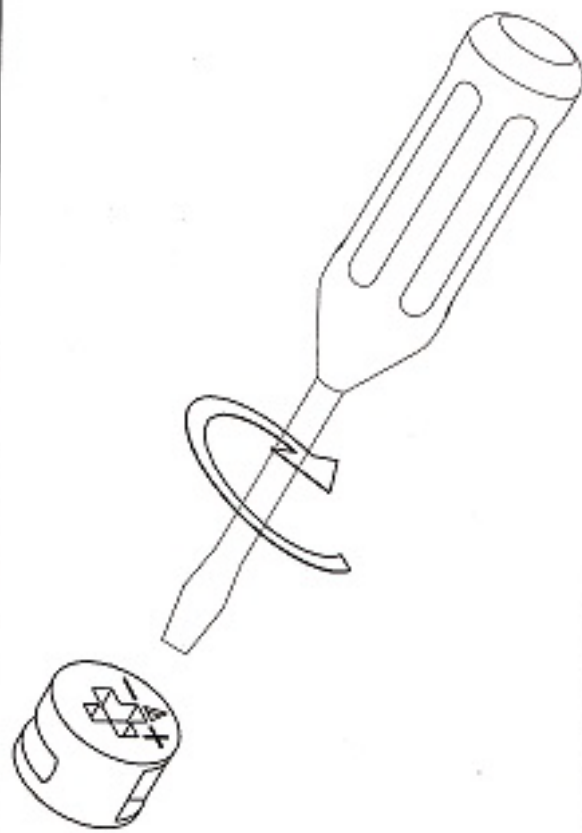
DO NOT FOR ANY REASON USE A POWER TOOL TO ASSEMBLE THIS PRODUCT.ITS USE WILL INVALIDATE ANY CLAIM YOU MAY HAVE AND COULD MAKE THIS PRODUCT UNSAFE.

DEPENDING ON THE AMOUNT OF USE THIS PRODUCT RECEIVES IT MAY BE NECESSARY TO TIGHTEN UP THE FIXINGS FROM TIME TO TIME.THIS IS COMPLETELY NORMAL FOR ANY FLAT PACK FURNITURE.DO NOT OVERTIGHTEN FIXING.

FOR CLEANING, YOU MAY USE A DAMP CLOTH (NOT WET) DO NOT USE POLISH, DETERGENT OR CHEMICAL CLEANERS.

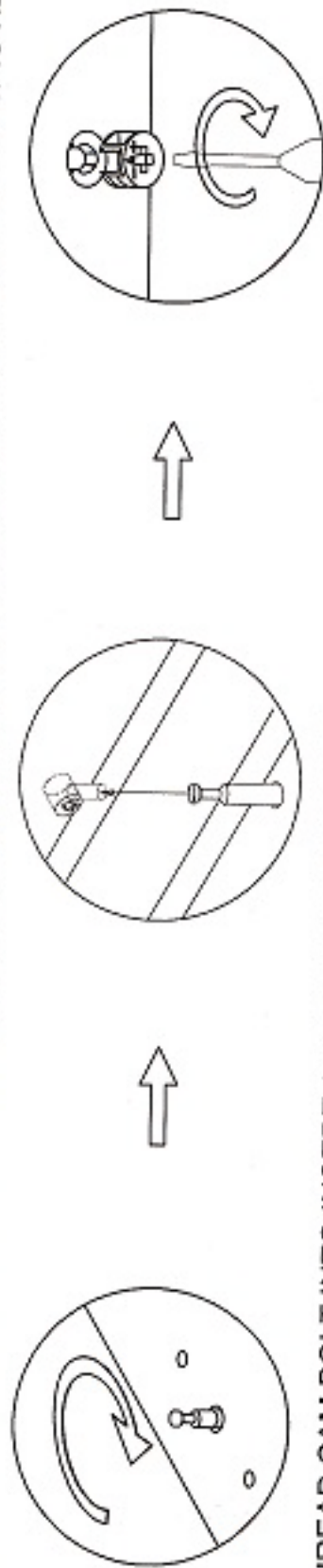
THE SURFACE OF THIS ITEM IS NOT HEAT RESISTANT. ALWAYS USE A PLACE MAT UNDER HOT OR COLD ITEMS TO PREVENT MARKING.

PLEASE KEEP THESE INSTRUCTIONS SAFE FOR FUTURE REFERENCE



(SCREWDRIVER NOT PROVIDED)

USE A FLAT HEAD SCREWDRIVER TO TIGHTEN THE CAM NUTS. A QUARTER TURN CLOCKWISE IS ALL THAT IS NEEDED.

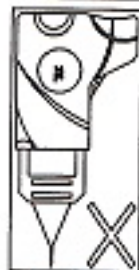


STEP 1 - THREAD CAM BOLT INTO INSERT AND TIGHTEN WITH FINGER.

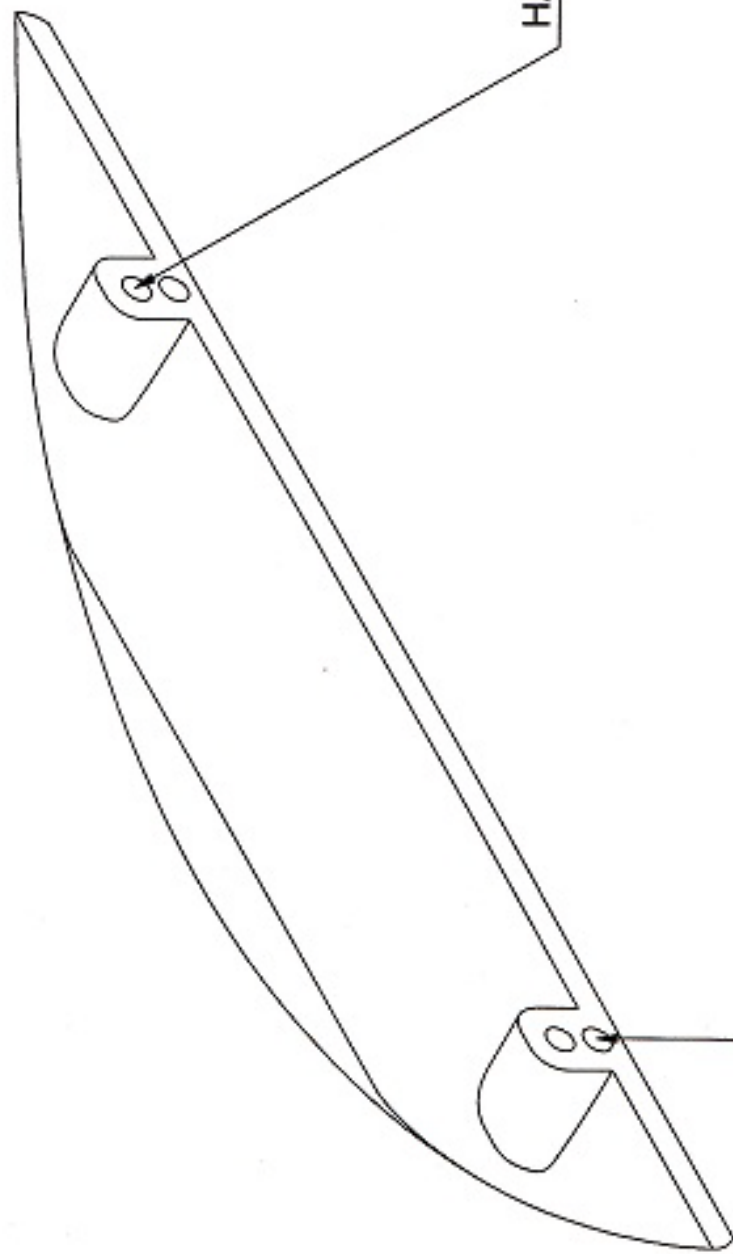
STEP 2 - ALIGN THE CAM BOLT WITH THE HOLE AND PUSH TOGETHER UNTIL FLUSH. (MAKE SURE THE ARROW OF CAM LOCK IS POINTING TOWARD THE HOLE ON EDGE OF PANEL.)

STEP 3 - THE HEAD OF THE BOLT GOES INTO THE WIDE MOUTH OF THE CAM LOCK. YOU THEN TURN THE LOCK SO THE NARROW PART CLOSES OVER THE BOLT.

! CAUTION : THE USE OF POWER TOOLS TO ASSEMBLE THIS PRODUCT WILL INVALIDATE. ANY CLAIM AND MAY DAMAGE THIS PRODUCT MAKING IT UNSAFE.



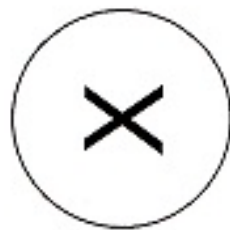
DOMINIC HANDLE



HANDLE SCREW HOLE



THIS HOLE

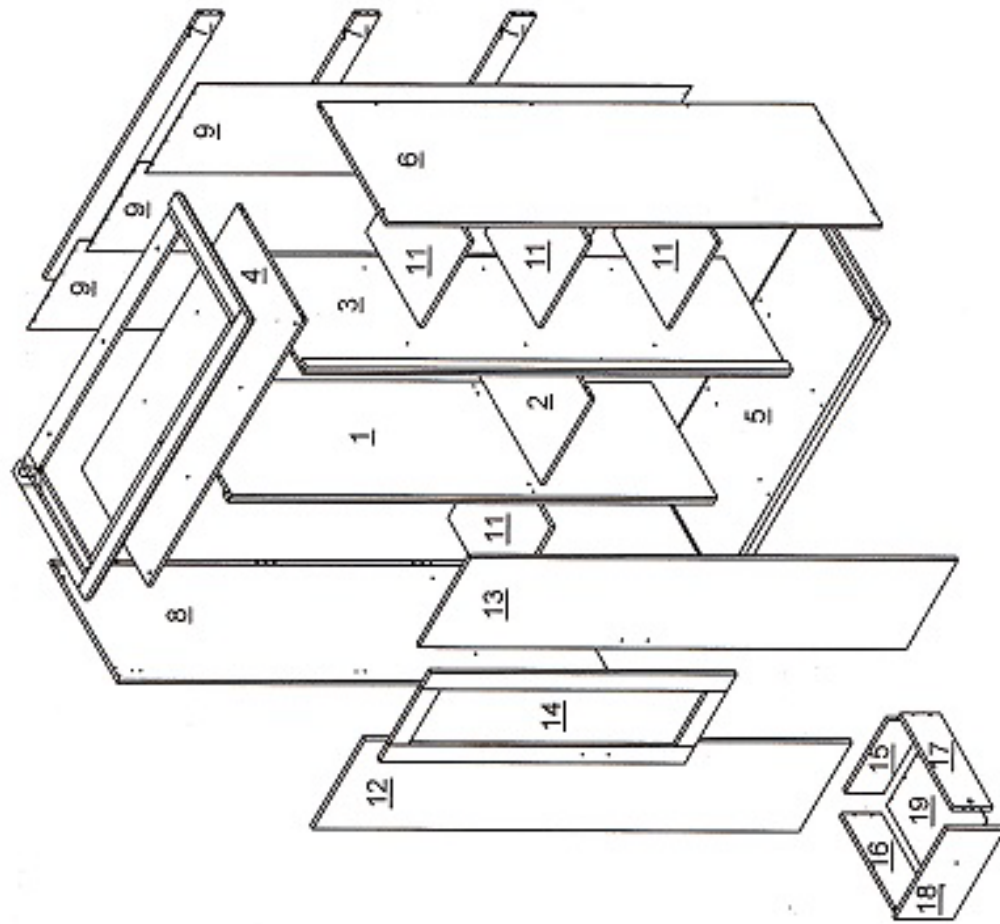


! CAUTION : THE USE OF POWER TOOLS TO ASSEMBLE THIS PRODUCT WILL INVALIDATE. ANY CLAIM AND MAY DAMAGE THIS PRODUCT MAKING IT UNSAFE.



PARTS LIST

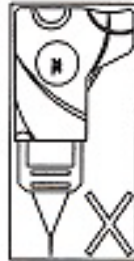
PLEASE CHECK THAT YOU HAVE ALL THE PARTS LISTED BEFORE YOU START ASSEMBLING. IF YOU DO FIND THAT SOMETHING IS MISSING, DO NOT CONTINUE ASSEMBLY, PLEASE CONTACT YOUR SUPPLIER IMMEDIATELY.
















PARTS LIST








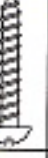

1	INNER LEFT SIDE PANEL	1 PC
2	MIDDLE FIXED SHELF	1 PC
3	INNER RIGHT SIDE PANEL	1 PC
4	TOP PANEL	1 PC
5	BASE PANEL	1 PC
6	RIGHT SIDE PANEL	1 PC
7	BACK CROSSBARS	3 PCS
8	LEFT SIDE PANEL	1 PC
9	BACK PANEL	3 PCS
10	TOP PLINTH	1 PC
11	SHELF PANEL	4 PCS
12	DOOR PANEL 1	1 PC
13	DOOR PANEL 2	1 PC
14	DOOR WITH MIRROR	1 PC
15	DRAWER BACK	3 PCS
16	DRAWER SIDE - LEFT	3 PCS
17	DRAWER SIDE - RIGHT	3 PCS
18	DRAWER COVER	3 PCS
19	DRAWER BASE	3 PCS

! CAUTION: THE USE OF POWER TOOLS TO ASSEMBLE THIS PRODUCT WILL INVALIDATE. ANY CLAIM AND MAY DAMAGE THIS PRODUCT MAKING IT UNSAFE.



HARDWARE LIST

A		DOWEL 6 X 30MM	44 PCS
B		SCREW 3.5 X 16MM	36 PCS
C		SCREW 4 X 50MM	8 PCS
D		TACK	36 PCS
E		SCREW 4 X 38MM	12 PCS
F		HANDLE	6 PCS
G		SCREW 4 X 25MM	22 PCS
H		SCREW 3.5 X 12MM	26 PCS
I		BOLT M6 X 50MM	18 PCS
J		PLASTIC H STRIP	2 PCS
K		HANDLE SCREW 25MM	12 PCS
L		DOWEL IRON 7 X 16MM	2 PCS
M		SQUARE LEG	8 PCS

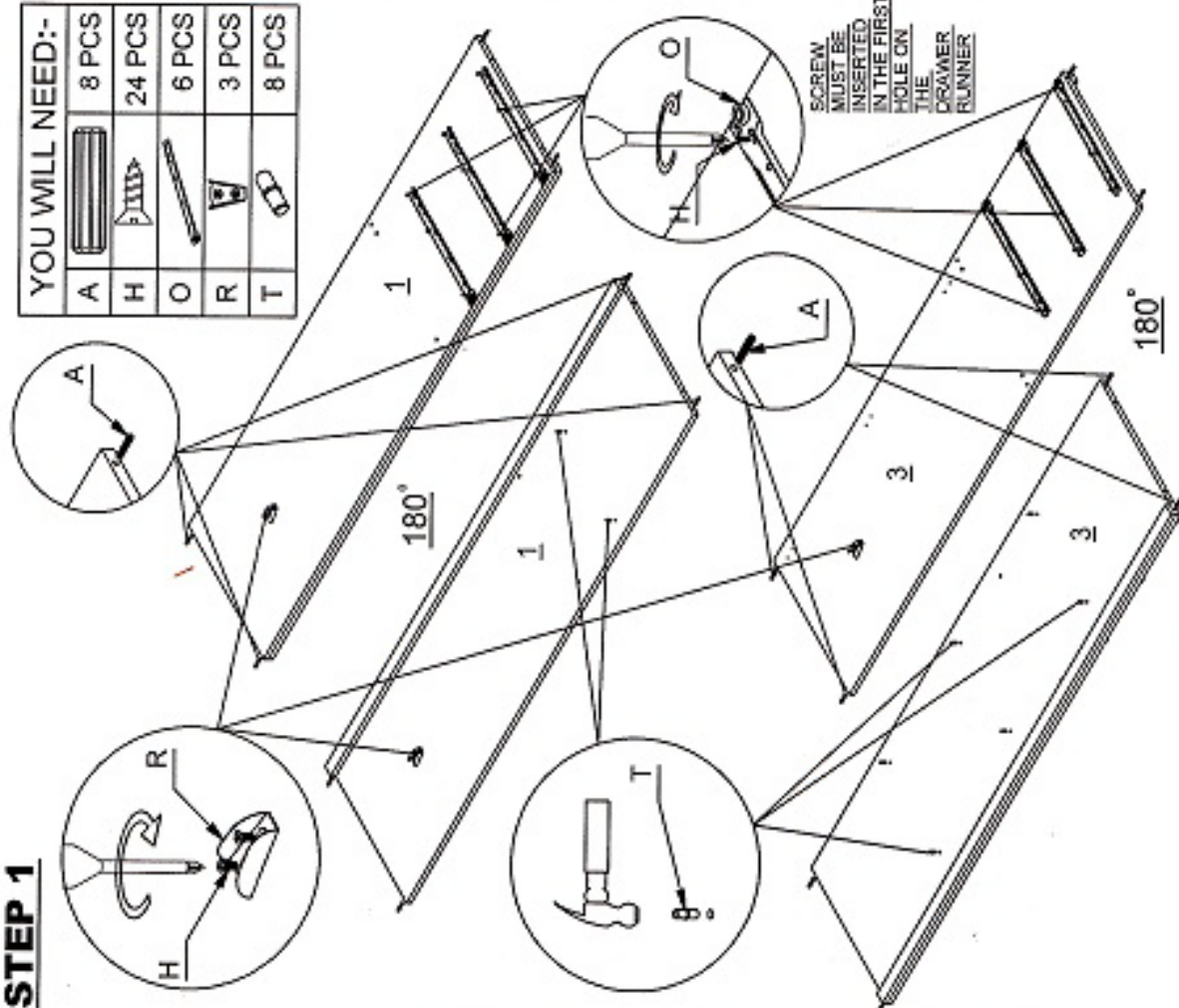
N		CAM BOLT + LOCK	6 SETS
O		DRAWER RUNNER A	6 PCS
P		DRAWER RUNNER B	6 PCS
Q		HANGING RAIL	2 PCS
R		HANGING RAIL SUPPORT	4 PCS
S		HINGES	9 PCS
T		SHELF SUPPORT	16 PCS
U		TAPPING SCREW 8 X 12MM	18 PCS
V		ALLEN KEY	1 PC

! CAUTION : THE USE OF POWER TOOLS TO ASSEMBLE THIS PRODUCT WILL INVALIDATE. ANY CLAIM AND MAY DAMAGE THIS PRODUCT MAKING IT UNSAFE.



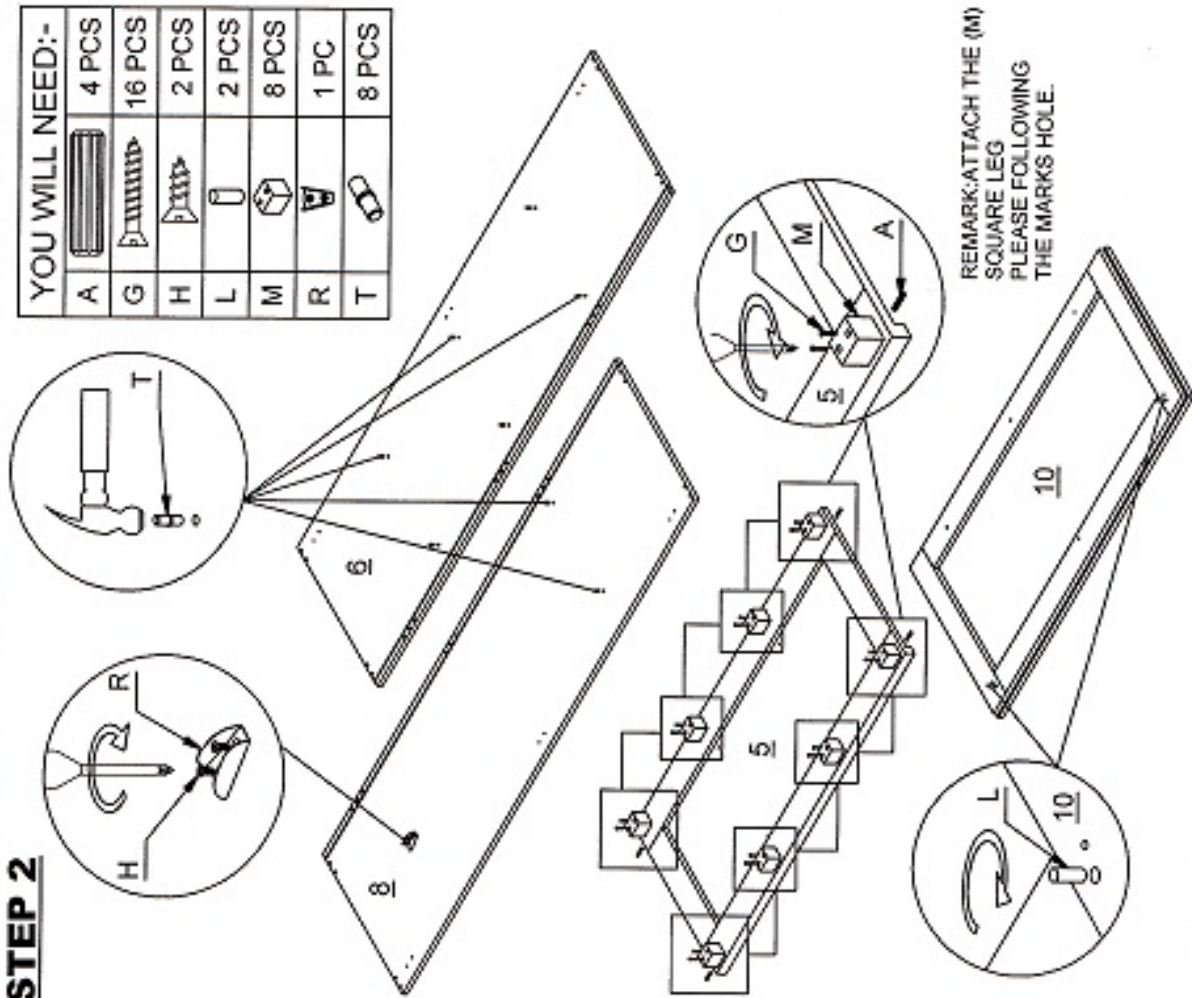
STEP 1

YOU WILL NEED:-	
A	8 PCS
H	24 PCS
O	6 PCS
R	3 PCS
T	8 PCS



STEP 2

YOU WILL NEED:-	
A	4 PCS
G	16 PCS
H	2 PCS
L	2 PCS
M	8 PCS
R	1 PC
T	8 PCS

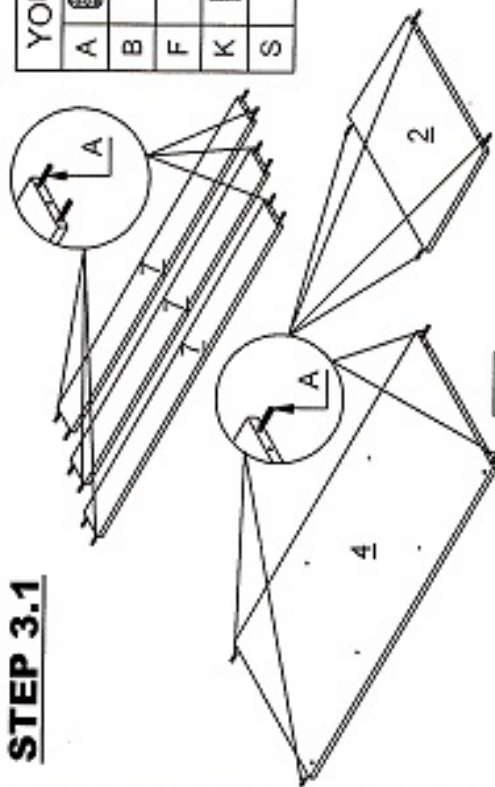


! CAUTION: THE USE OF POWER TOOLS TO ASSEMBLE THIS PRODUCT WILL INVALIDATE. ANY CLAIM AND MAY DAMAGE THIS PRODUCT MAKING IT UNSAFE.

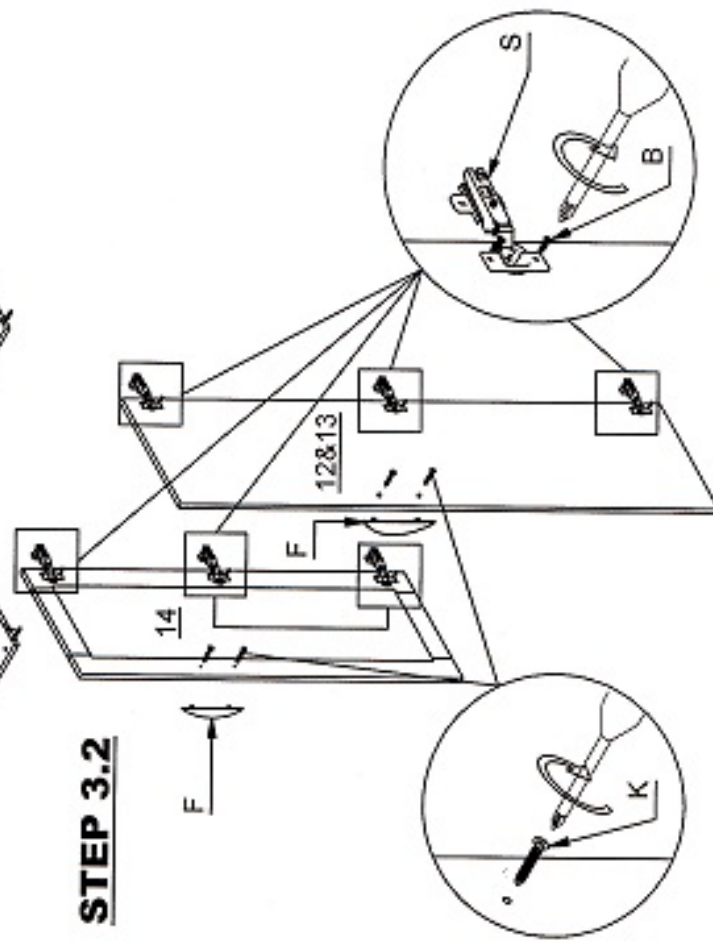


STEP 3.1

YOU WILL NEED:-	
A	20 PCS
B	18 PCS
F	3 PCS
K	6 PCS
S	9 PCS

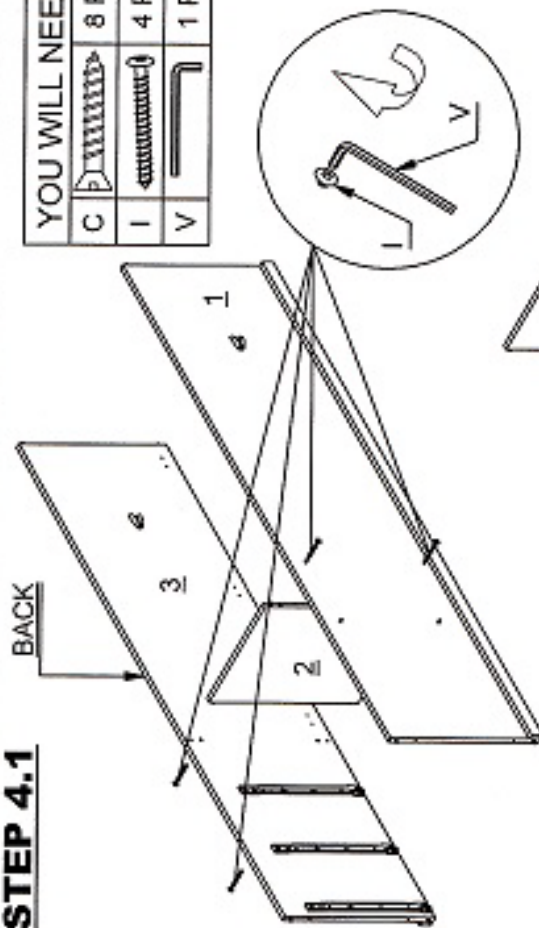


STEP 3.2

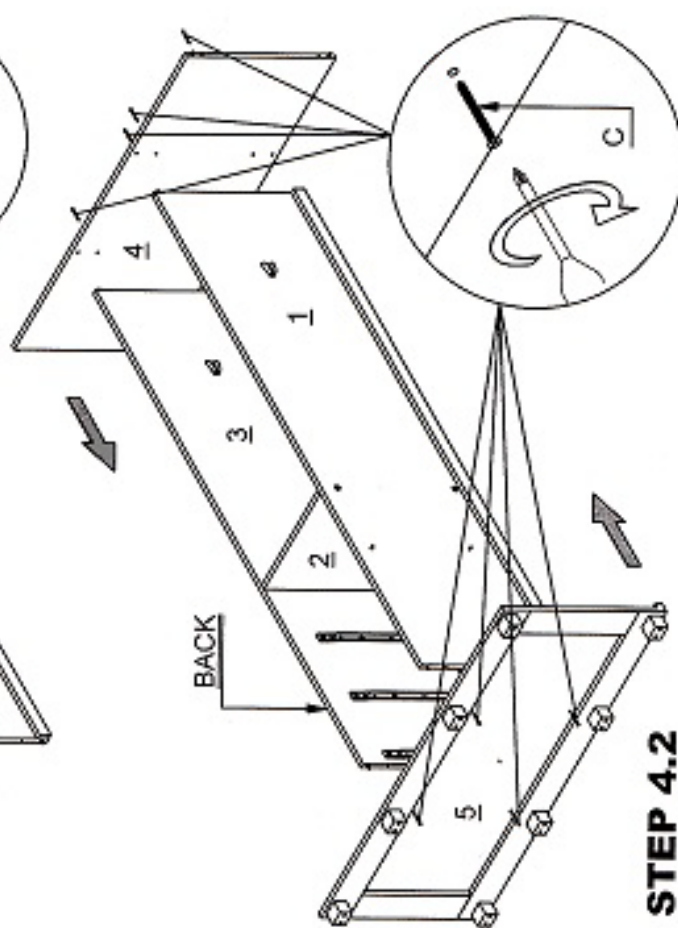


STEP 4.1

YOU WILL NEED:-	
C	8 PCS
I	4 PCS
V	1 PC



STEP 4.2

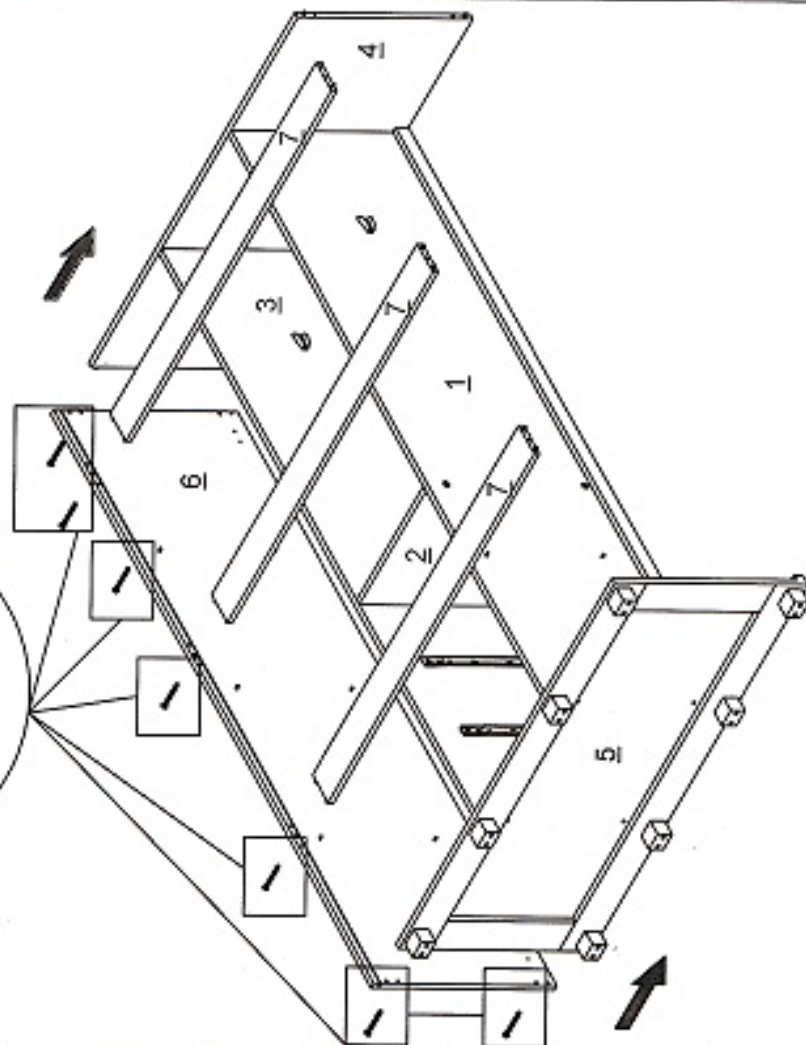


! CAUTION : THE USE OF POWER TOOLS TO ASSEMBLE THIS PRODUCT WILL INVALIDATE. ANY CLAIM AND MAY DAMAGE THIS PRODUCT MAKING IT UNSAFE.



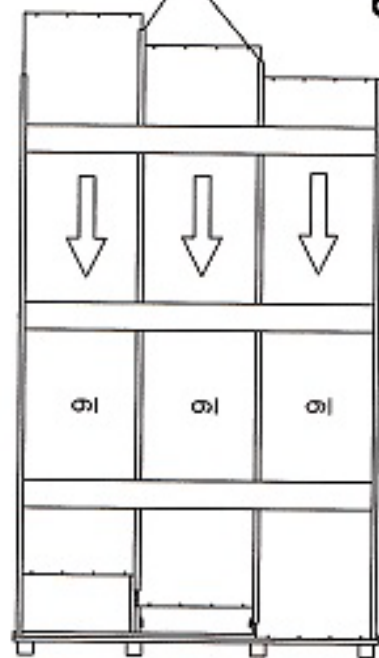
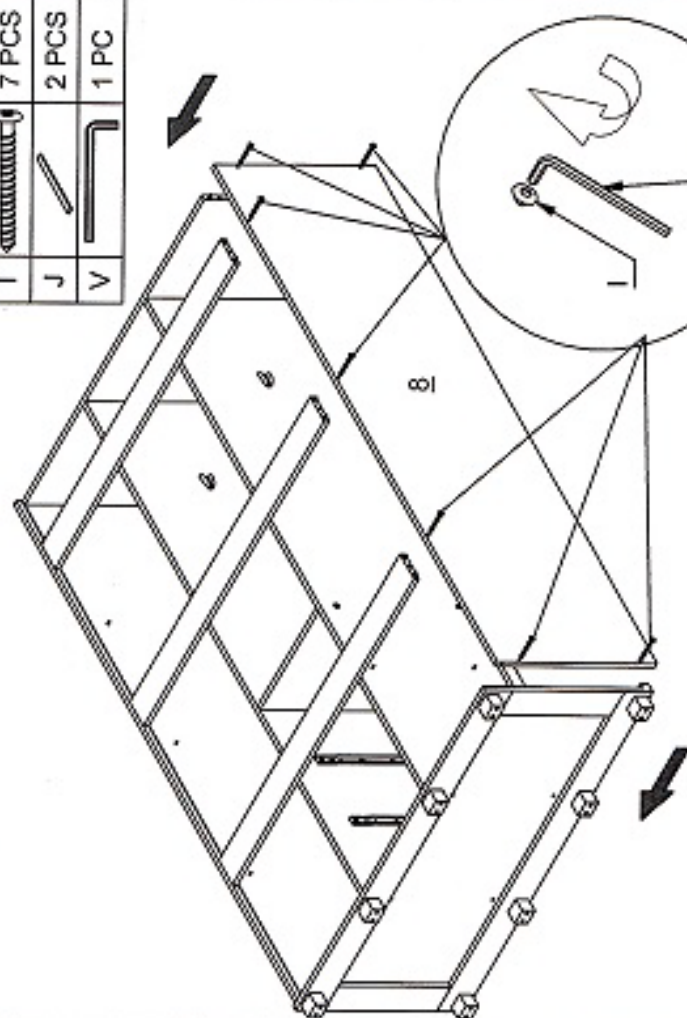
STEP 5

YOU WILL NEED:-	
I	7 PCS
V	1 PC



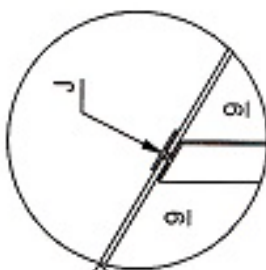
STEP 6.1

YOU WILL NEED:-	
I	7 PCS
J	2 PCS
V	1 PC



PLEASE INSERT THE BACK PANEL INTO THE UNIT.

STEP 6.2

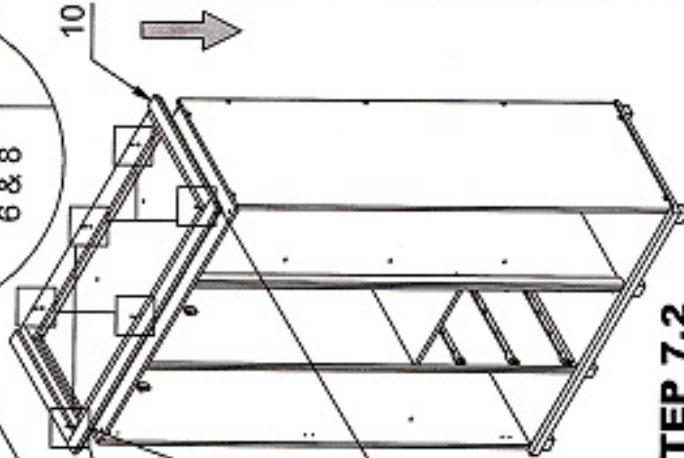
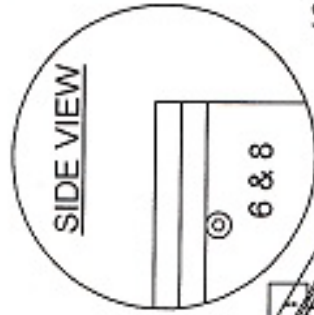
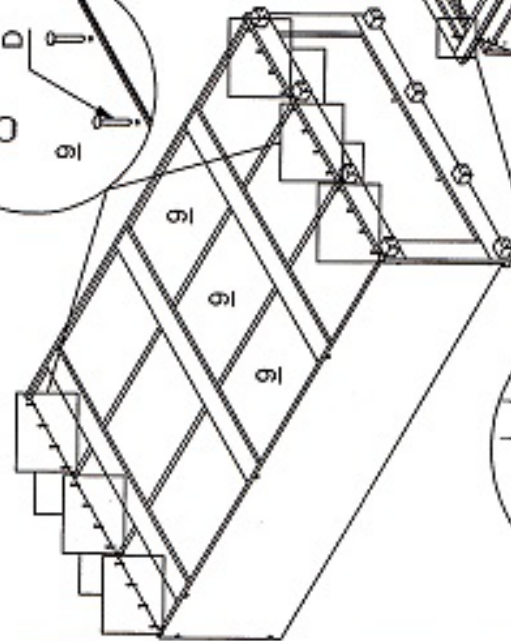
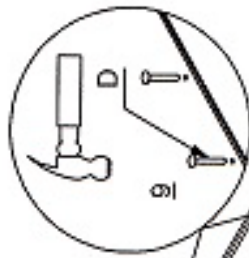


! CAUTION : THE USE OF POWER TOOLS TO ASSEMBLE THIS PRODUCT WILL INVALIDATE. ANY CLAIM AND MAY DAMAGE THIS PRODUCT MAKING IT UNSAFE.



STEP 7.1

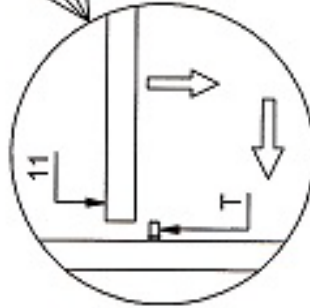
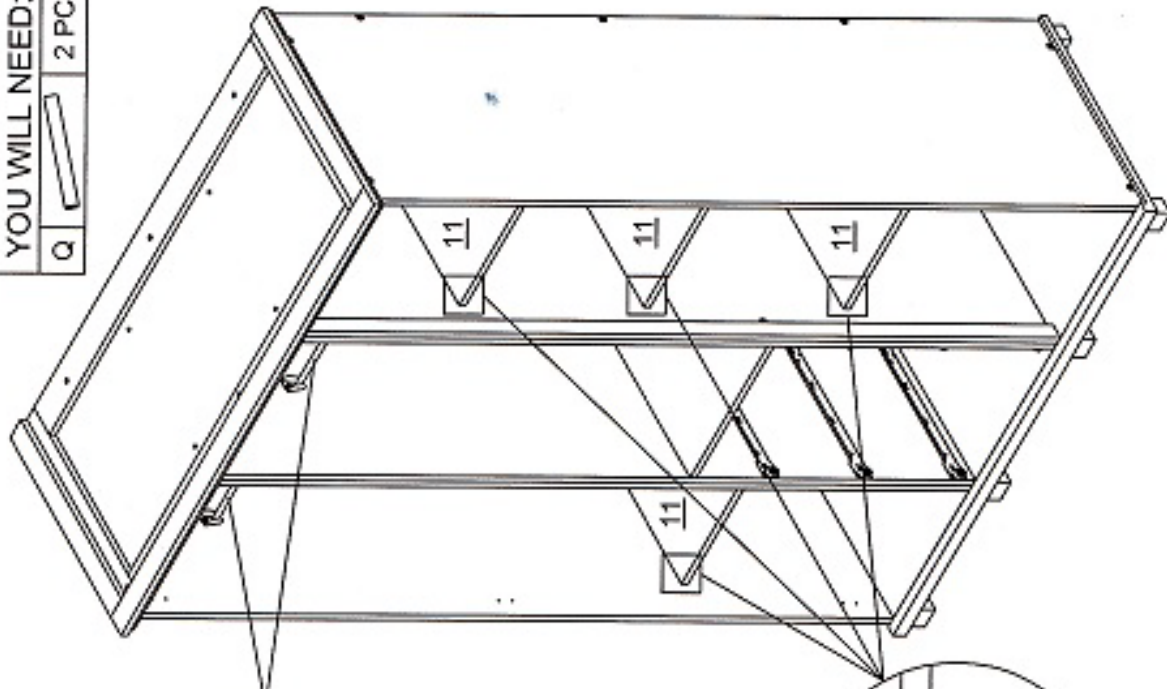
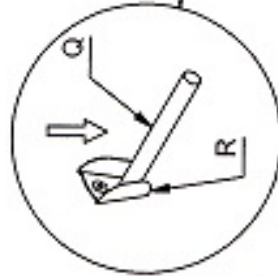
YOU WILL NEED:-	
D	24 PCS
G	6 PCS



STEP 7.2

STEP 8

YOU WILL NEED:-	
Q	2 PCS



! CAUTION : THE USE OF POWER TOOLS TO ASSEMBLE THIS PRODUCT WILL INVALIDATE. ANY CLAIM AND MAY DAMAGE THIS PRODUCT MAKING IT UNSAFE.

STEP 9

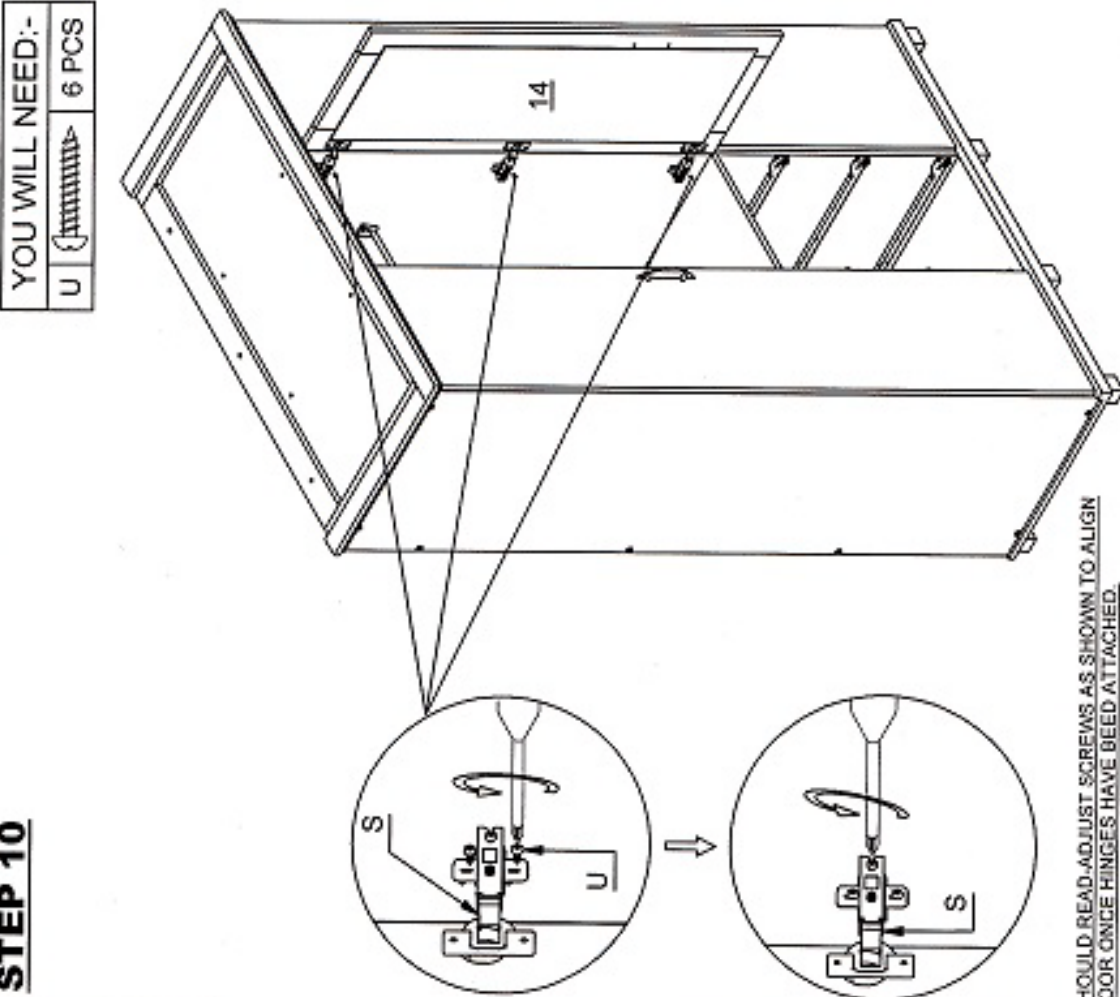
YOU WILL NEED:-

U  12 PCS

STEP 10

YOU WILL NEED:-

U  6 PCS



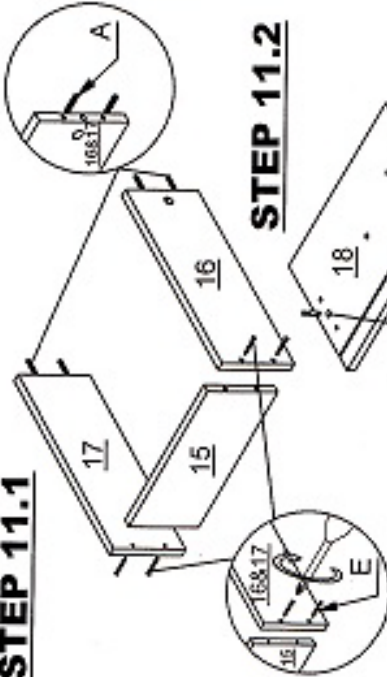
SHOULD READ-ADJUST SCREWS AS SHOWN TO ALIGN DOOR ONCE HINGES HAVE BEEN ATTACHED.

SHOULD READ-ADJUST SCREWS AS SHOWN TO ALIGN DOOR ONCE HINGES HAVE BEEN ATTACHED.

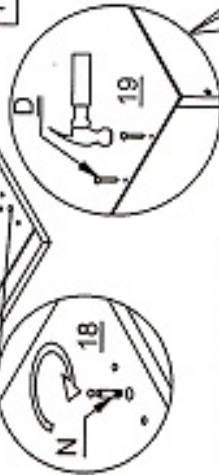
! CAUTION: THE USE OF POWER TOOLS TO ASSEMBLE THIS PRODUCT WILL INVALIDATE. ANY CLAIM AND MAY DAMAGE THIS PRODUCT MAKING IT UNSAFE.



STEP 11.1



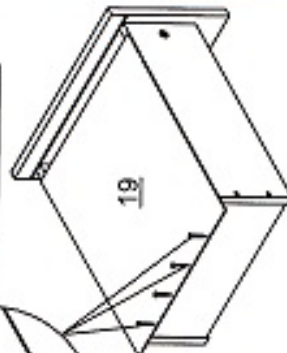
STEP 11.2



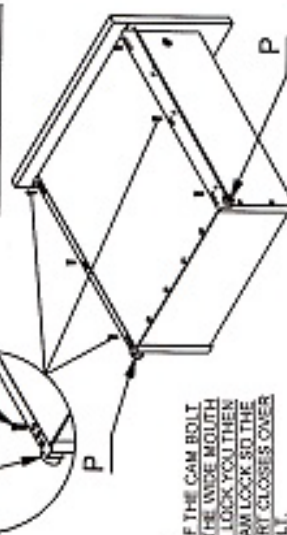
STEP 11.3



STEP 11.4



STEP 11.5



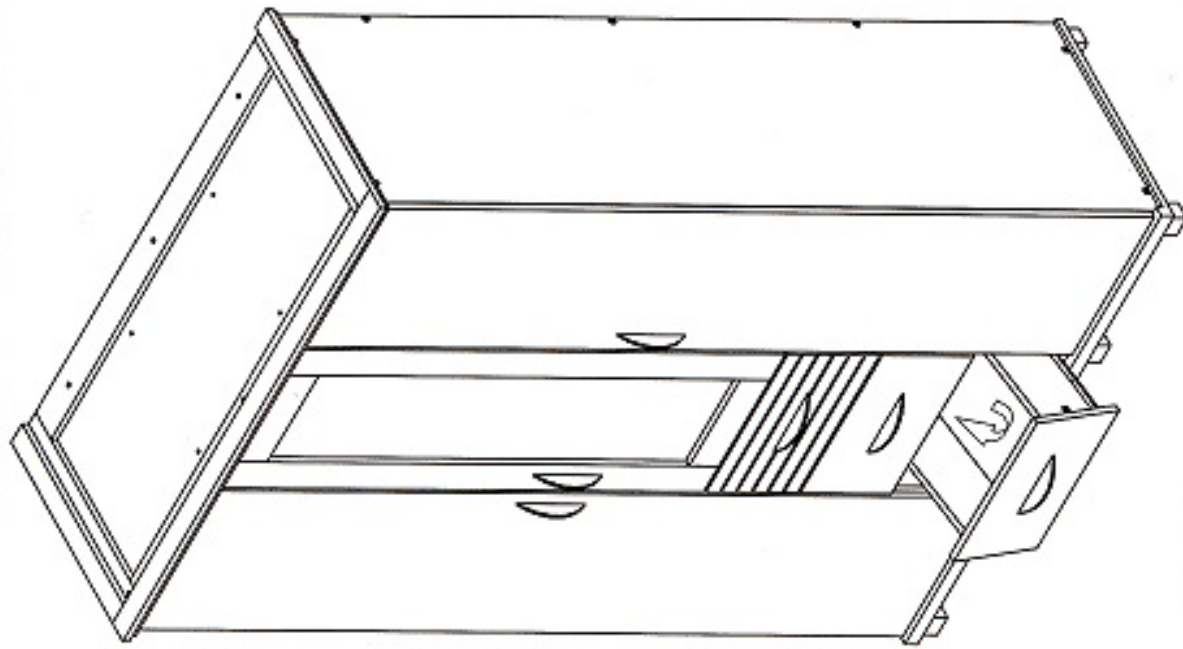
THE HEAD OF THE CAM BOLT GOES INTO THE WIDE MOUTH OF THE CAM LOCK. YOU THEN TURN THE CAM LOCK SO THE NARROW PART CLOSES OVER THE CAM BOLT.

3 X DRAWERS

! CAUTION : THE USE OF POWER TOOLS TO ASSEMBLE THIS PRODUCT WILL INVALIDATE. ANY CLAIM AND MAY DAMAGE THIS PRODUCT MAKING IT UNSAFE.



STEP 12



YOU WILL NEED:-	
A	12 PCS
B	18 PCS
D	12 PCS
E	12 PCS
F	3 PCS
K	6 PCS
N	6 SETS
P	6 PCS