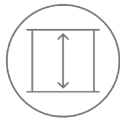


Hoardfast Firescreen is a quick to install, modular, internal screening system that can be used free-standing with Westgate's unique universal support, or fixed floor-to-ceiling. Available in a range of heights Hoardfast Firescreen is a 60 minute fire rated panel adhering to the EN 13501-2:2008 (Surpasses Class 0) European standard.



Floor-to-ceiling or freestanding



Quick installation



60 minute fire rating



Reusable and sustainable



Next day delivery

FEATURES & BENEFITS

FEATURES	BENEFITS
Modular ready to install system	<ul style="list-style-type: none"> Quick, clean, easy installation saves time and money on site setup Easy to configure as required
EN 13501-2:2008 (Surpasses Class 0) fire rated panel	<ul style="list-style-type: none"> Simple and effective floor to ceiling 60 minute fire protection
Panels provide additional acoustic insulation	<ul style="list-style-type: none"> Reduce the impacts of construction noise on the surrounding areas Create quieter internal site office and welfare spaces
Sustainable product that can be reused	<ul style="list-style-type: none"> Install and demount the product multiple times giving medium- and long-term savings. Reduces waste and environmental impact on construction projects
2.25m, 2.7m, 3.1m, 3.5m, 4.0m, 4.5m standard panels heights	<ul style="list-style-type: none"> Create quick floor to ceiling or free-standing partitions Configure as required
Next day delivery from large UK stock*	<ul style="list-style-type: none"> Get items to site when you need them to prevent delays
Easy fit single and double doors (with Digi lock)	<ul style="list-style-type: none"> Create restricted access to construction sites or site offices and welfare spaces

*Deliveries to mainland UK



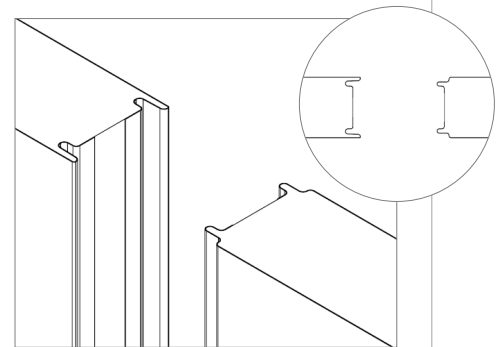
Panels are 80mm thick white steel faced with a mineral wool filling, when used floor to ceiling they create a 60-minute fire retardant wall. Available for purchase on next day delivery.



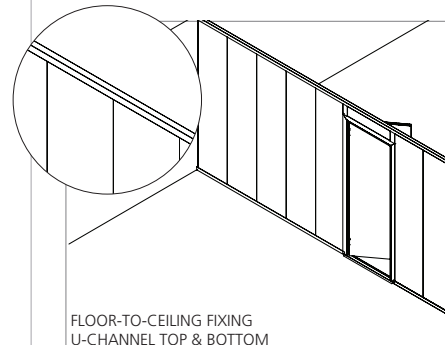
TECHNICAL SPECIFICATIONS

Material composite	White steel faced mineral wool filled
Connection method	Tongue and groove push fit
Panel Fire rating	EN 13501-2:2008 (Surpasses Class 0)
Standard panel heights	2.25m, 2.7m, 3.1m, 3.5m, 4.0m, 4.5m
Panel width	1m
Panel thickness	80mm
Panel weight	16.2 kg/m ²
Support options	Floor to ceiling; supplied with u-channel fixings or Free-standing; universal support

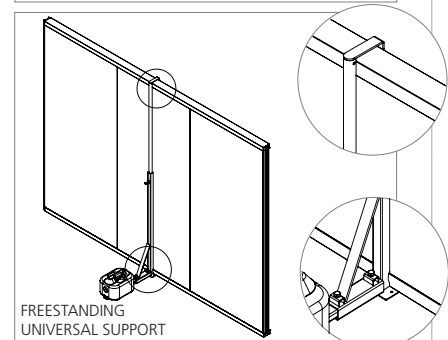
TECHNICAL SPECIFICATIONS



Panels join with a push fit tongue and groove system. Corner posts and T-sections also available.



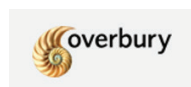
FLOOR-TO-CEILING FIXING
U-CHANNEL TOP & BOTTOM



FREESTANDING
UNIVERSAL SUPPORT

Firescreen can be installed floor to ceiling using supplied u-channels or for a freestanding system choose our universal support, which can hold 1 - 6 16kg weights.

HOARDFAST SOLUTIONS ARE USED BY MANY INCLUDING...

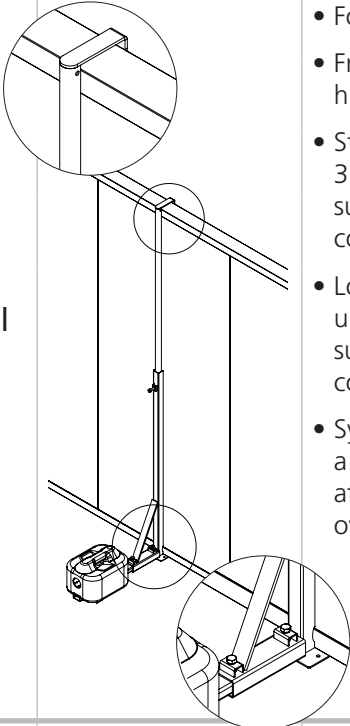
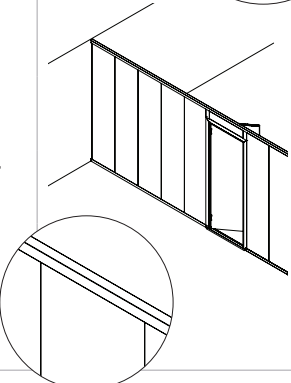


This fact sheet is for illustrative purposes only and based on the latest information at the time of print. Installation methods may vary depending on specific project requirements. Westgate reserve the right to make changes at any time without notice.

westgateuk.co.uk +44 (0)1785 242181 salesteam@westgateuk.co.uk

SUPPORT OPTIONS

The Hoardfast Firescreen system is available with free-standing universal support up to 3.1m or can be fixed floor-to-ceiling up to 4.5m.

SUPPORT TYPE	SUPPORT SPECIFICATION	USED WITH: PANEL	USED WITHS: PANEL HEIGHT
Universal (free-standing) 	<ul style="list-style-type: none"> • For maximum stability • Free-standing up to 3.1m high • Standard: allows up to 3 x 16kg weights per support (Protrudes 645mm construction side) • Long: will accommodate up to 6 x 16kg weights per support (Protrudes 900mm construction side) • System secured at base using a hooked in u-channel and at the top using a hooked over pole 	Standard PVC	2.25m / 2.7m / 3m
		Soundscreen	2.25m / 2.7m / 3.1m
		Firescreen	2.25m / 2.7m / 3.1m
		Flamescreen	2.25m / 2.7m
Floor-to-ceiling 	<ul style="list-style-type: none"> • Floor-to-ceiling fixed solution up to 4.5m high • Installed using supplied u-channels 	Budget PVC	2.7m / 3.5m / 4.8m
		Standard PVC	2.25m / 2.7m / 3m / 4m / 5m
		Soundscreen	2.25m / 2.7m / 3.1m
		Firescreen	2.25m / 2.7m / 3.1m / 3.5m / 4m / 4.5m
		Flamescreen	2.25m / 2.7m / 3.5m

This fact sheet is for illustrative purposes only and based on the latest information at the time of print. Installation methods may vary depending on specific project requirements. Westgate reserve the right to make changes at any time without notice.