

UK distributor for TRIDONIC LED systems

## TALEXX Converter LCU 150 W 12 Volt outdoor IP67 Constant Voltage

### Product Description

- Constant Voltage Converter
- Universal Input Voltage Range
- Constant Output Voltage
- Connection: Cable with endsleeves (length approx. 500mm)
- Polarity identifiers, secondary + red / -black
- Metal casing, encapsulated to IP67

### Properties

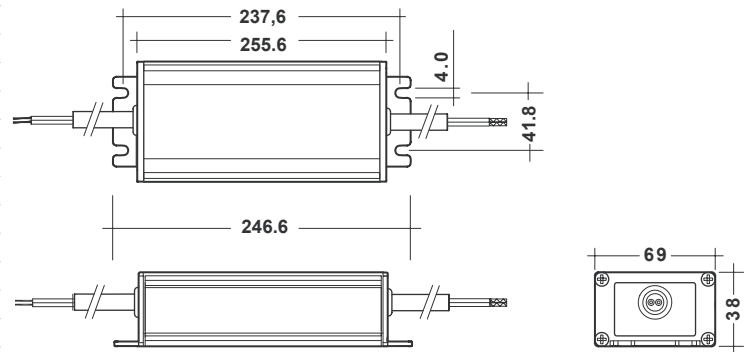
- High Efficiency
- Low Power Loss
- Over Temperature Protection
- Overload Protection by Restricting Output
- Short-Circuit Shutdown Feature With Automatic Re-start
- SELV
- Type of Protection IP67



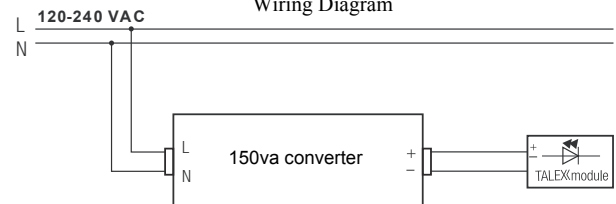
IP67 

### Technical Data

Rated Supply Voltage	120-240V
Input voltage, AC	108-264V
Input voltage, DC	120-240V
Rated current (at 230V 50Hz)	0.77A
Mains frequency	0/50/60Hz
Efficiency	>88%
Max. Input power	176W
$\Lambda$	0.95
Output voltage	12 V
Output voltage tolerance	+10%
Output current range	1.25 - 12.5A
Output power	150W
Output power range	20 - 150W
Turn on time (output)	$\leq 0.5s$
Turn off time (output)	$\leq 1s$
Hold on time at power failure (Output)	10ms
Ambient temperature $t_a$	-25 to +50°C
Max. Casing temperature $t_c$	85°C
Storage temperature	-30...+85°C
Weight	1.6kg
Dimensions LxWxH	247x69x38mm
Hole spacing D	238mm



Wiring Diagram



### Over Temperature Protection

Automatic power reduction of the converter if the temperature limit is exceeded.  
Automatic restart to nominal mode if the temperature falls below the limit.

### Overload Protection

Automatic shutdown of the converter if the maximum output current is exceeded.  
Automatic re-start if the output current is below the limit.

### Maximum Loading of Automatic Circuit Breakers

Automatic circuit breaker type	C10	C13	C16	C20	B10	B13	B16	B20
Cable Diameter	1.5 mm <sup>2</sup>	1.5 mm <sup>2</sup>	1.5 mm <sup>2</sup>	2.5 mm <sup>2</sup>	1.5 mm <sup>2</sup>	1.5 mm <sup>2</sup>	1.5 mm <sup>2</sup>	2.5 mm <sup>2</sup>
150va Converter	4	4	7	8	2	2	3	4

### Connection

Primary Cable		Secondary Cable	
L	N	+	-
brown	blue	red	black

### Standards

EN 55015  
EN 61000-3-2  
EN 61000-3-3  
EN 61347-1  
EN 61347-2-13  
EN 61547  
EN 62384