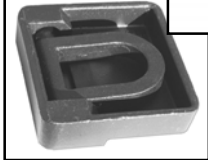
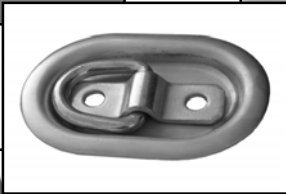
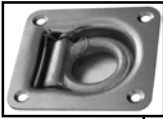
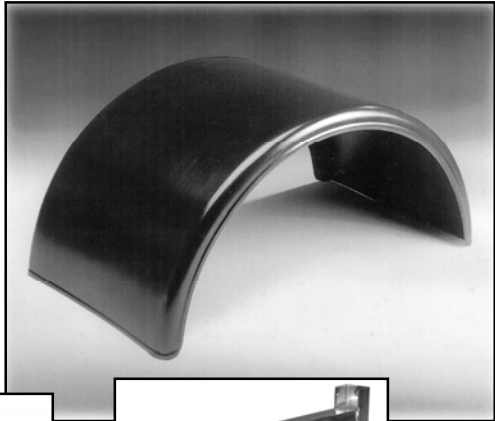
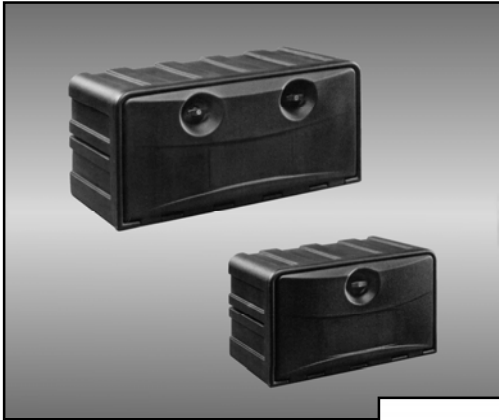
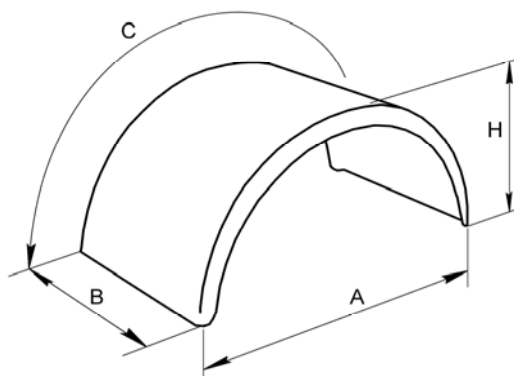


EUROWIND

MISCELLANEOUS PARTS



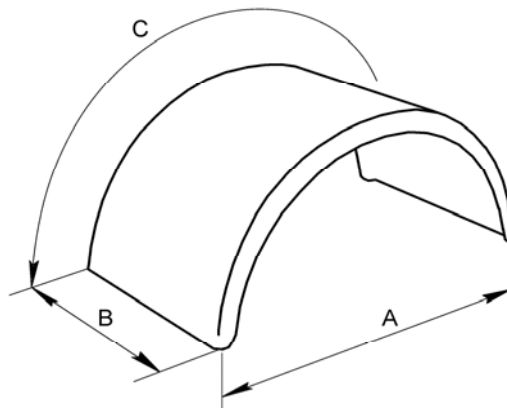
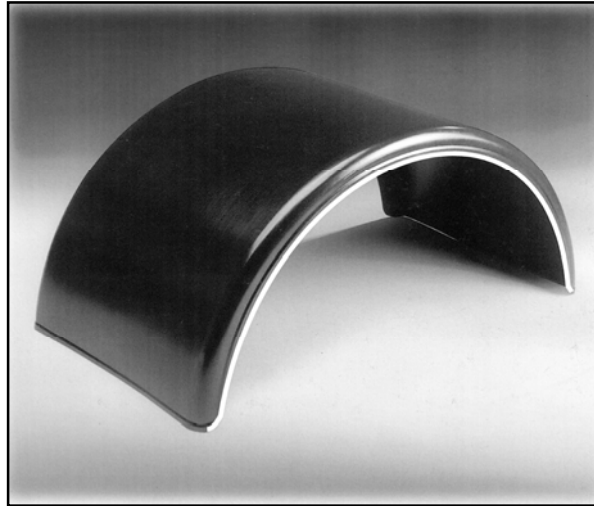


CODE	DESCRIPTION	A	B	C	H	WEIGHT
201-2890-17	mudguard 280x900	900	280			
201-3878-17	mudguard 380X780 "MAZDA"	780	380			
201-4088-17	mudguard 400X880	880	400			
201-43132-27	mudguard 435X1320	1320	435			
201-4590-17	mudguard 450X900	900	450			
201-51101-17	mudguard 510X1010	1010	510			
201-56115-17	mudguard 560X1150	1150	560	1780	560	4
201-60115-17	mudguard 600X1150	1150	600	1730	530	4,5
201-65120-17	mudguard 650X1200	1200	650	1800	580	5
201-65134-17	mudguard 650X1340	1340	650			

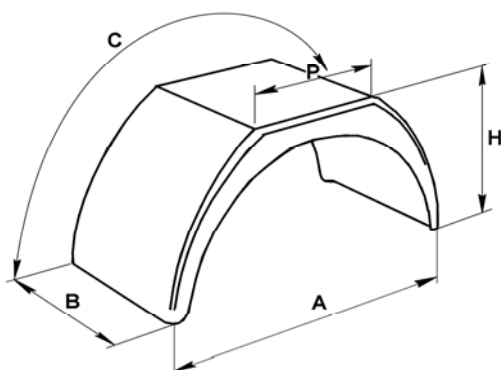
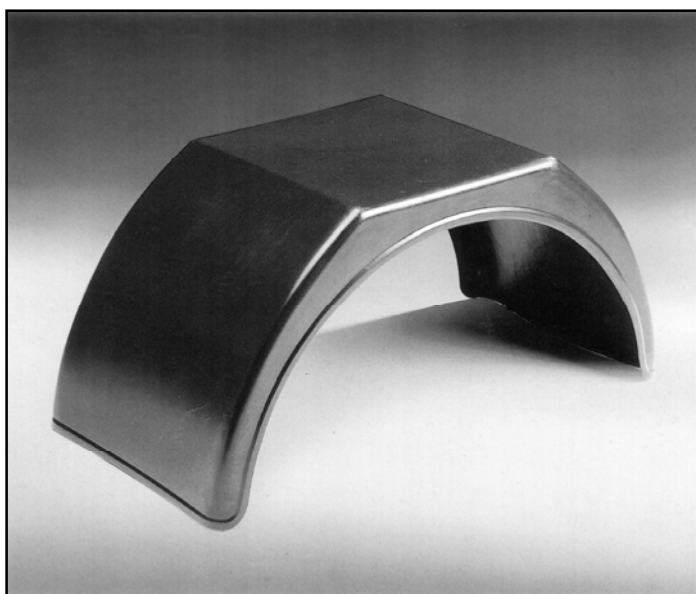
8.1.1

MUDGUARDS WITH WHITE EDGE

EUROWIND



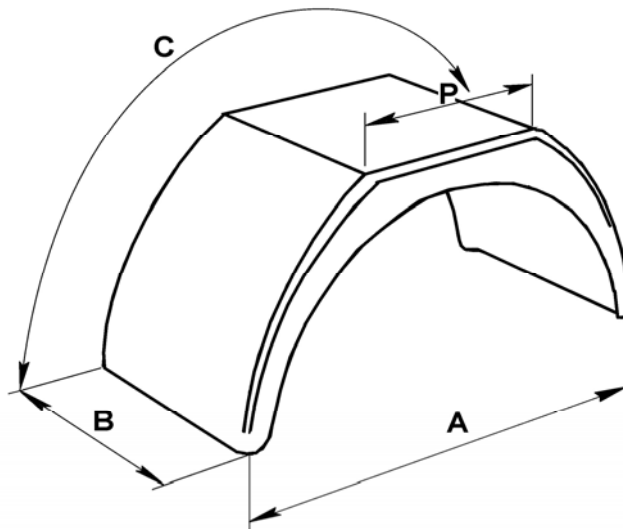
CODE	DESCRIPTION	A	B	C	WEIGHT
201-4186-17	mudguard with white edge	860	410	1350	
201-4586-17	mudguard with white edge	860	450	1350	



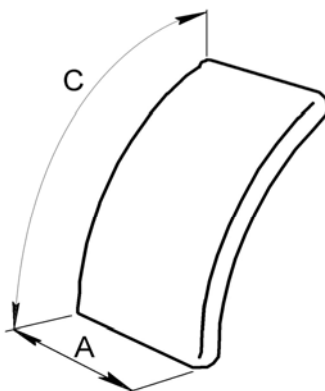
CODE	NAZIV	A	B	C	H	P	WEIGHT
201-2890-27	mudguard 280x900	900	280				
201-4591-17	mudguard 450x910	910	450				
201-55108-17	mudguard 550x1080	1080	550	1870	560	650	5,3

8.2.1

MUDGUARDS "FLAT TOP" WITH WHITE EDGE



CODE	DESCRIPTION	A	B	C	P	WEIGHT
201-2688-17	mudguard "flat top" with white edge	880	260	1480	400	
201-4588-17	mudguard "flat top" with white edge	880	450	1480	400	
201-5188-17	mudguard "flat top" with white edge	1000	510	1770	510	

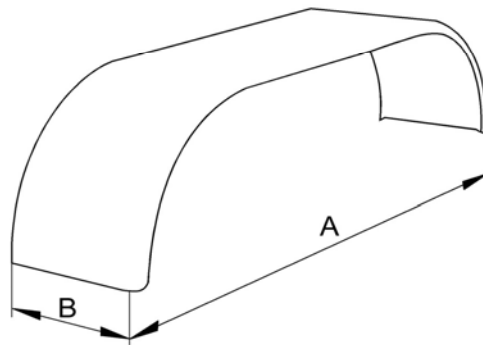
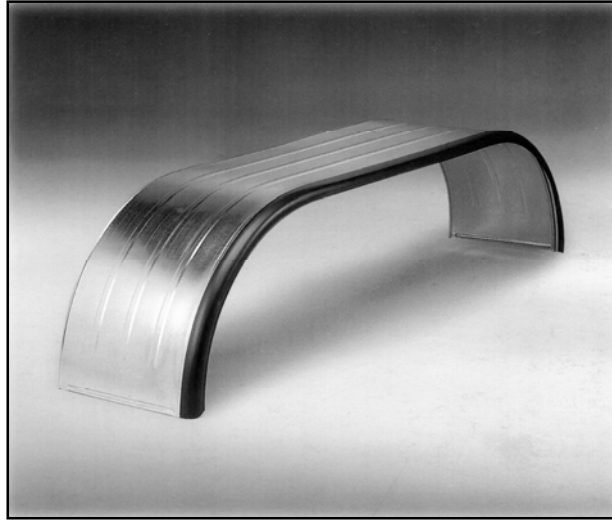


CODE	DESCRIPTION	C	A	WEIGHT
201-4580-17	half mudguard 450x800	800	450	
201-6580-17	half mudguard 650x800	800	650	

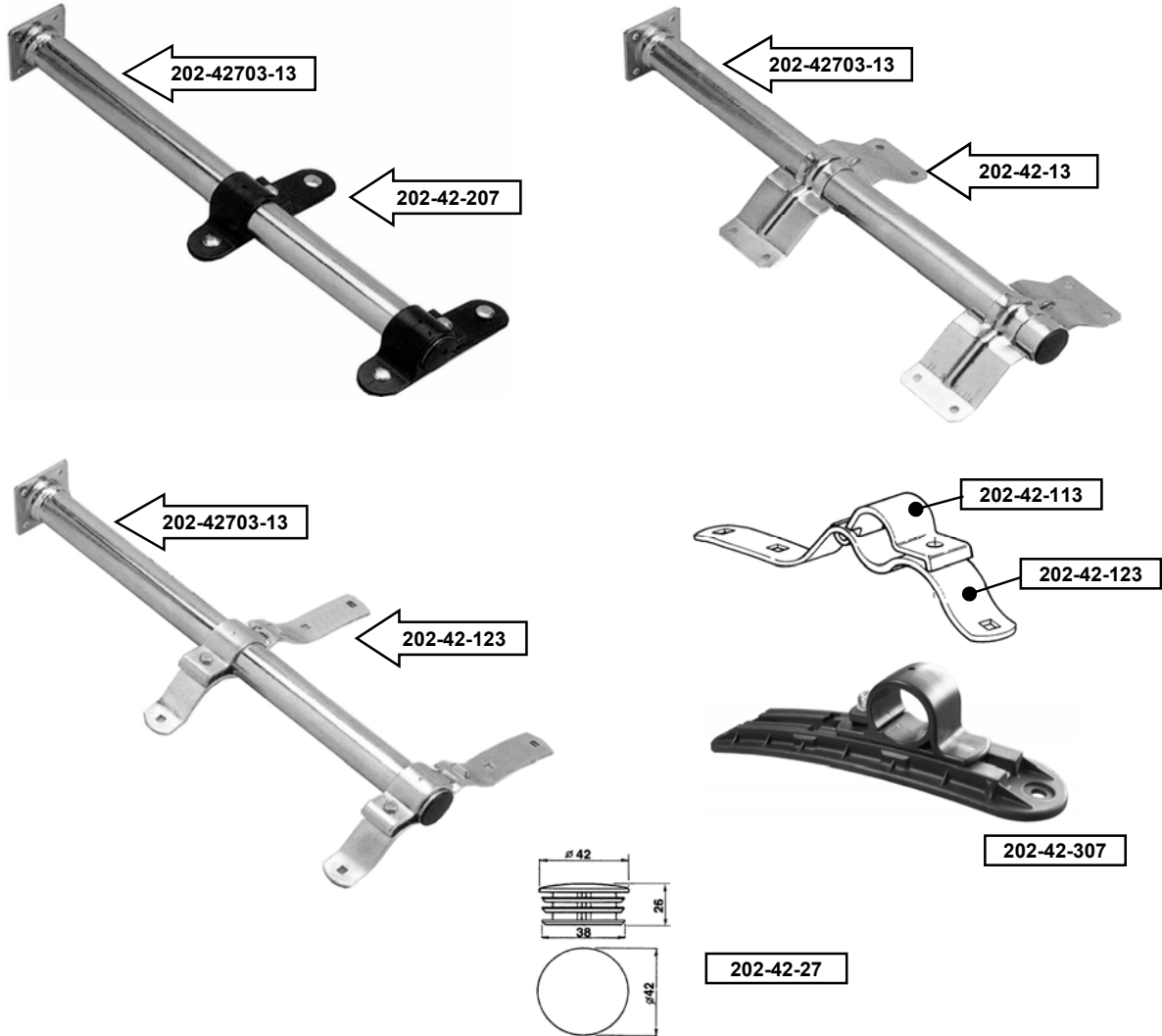
8.4

ZINC PLATED STEEL MUDGUARD

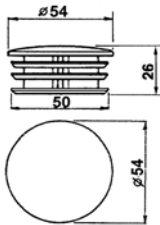
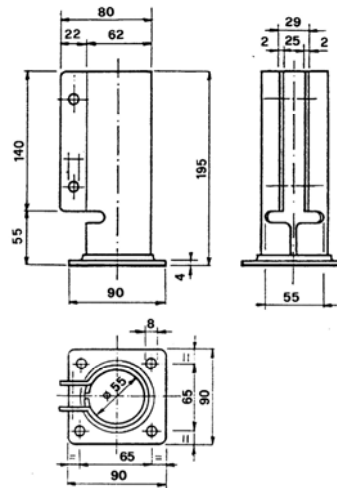
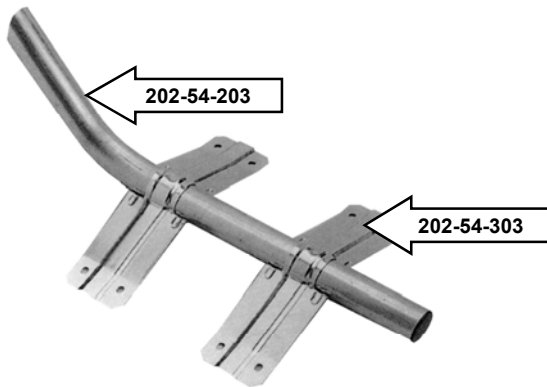
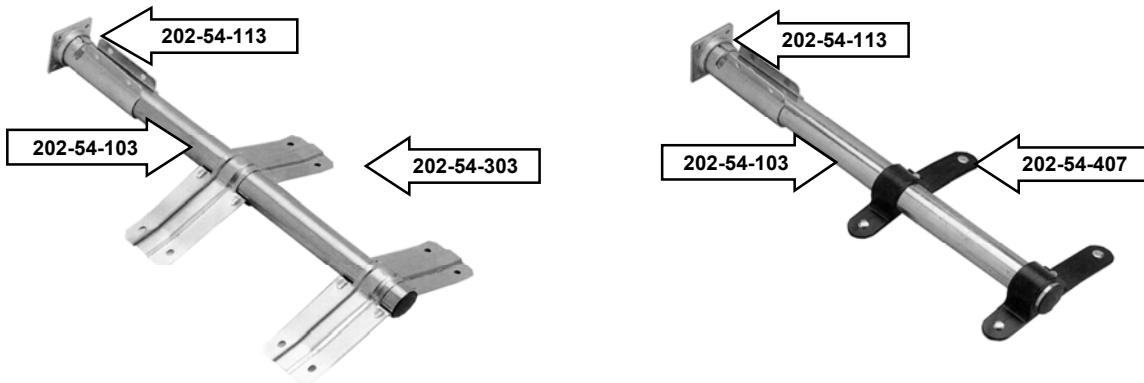
EUROWIND



CODE	DESCRIPTION	A	B	WEIGHT
201-65274-13	zinc plated steel mudguard with PVC edge 650X2740	2740	650	
201-70274-13	zinc plated steel mudguard with PVC edge 700X2740	2740	700	



CODE	DESCRIPTION	SURFACE	WEIGHT
202-42703-13	mudguard support tube Ø42,2mm	zinc plated	
202-42-207	plastic mudguard support bracket Ø42,2mm		
202-42-13	steel mudguard support bracket Ø42,2mm	zinc plated	
202-42-103	steel mudguard support bracket set Ø42,2mm	zinc plated	
202-42-123	steel mudguard support bracket lower Ø42,2m	zinc plated	
202-42-113	steel mudguard support bracket upper Ø42,2m	zinc plated	
202-42-307	plastic mudguard support bracket - adjustable		
202-42-27	plastic plug Ø42,2mm		



202-54-127

202-54-113

CODE	DESCRIPTION	SURFACE	WEIGHT
202-54-103	mudguard support tube Ø54,2 mm	zinc plated	
202-54-203	mudguard support tube Ø54,2 mm - bent	zinc plated	
202-54-113	end of tube support - "mammoth"	zinc plated	
202-54-407	plastic mudguard support bracket Ø54,2 mm		
202-54-303	steel mudguard support bracket Ø54,2 mm	zinc plated	
202-54-127	plastic plug Ø54,2 mm		

BLACK RIBBED MUD FLAPS WITH VERTICAL GROOVES

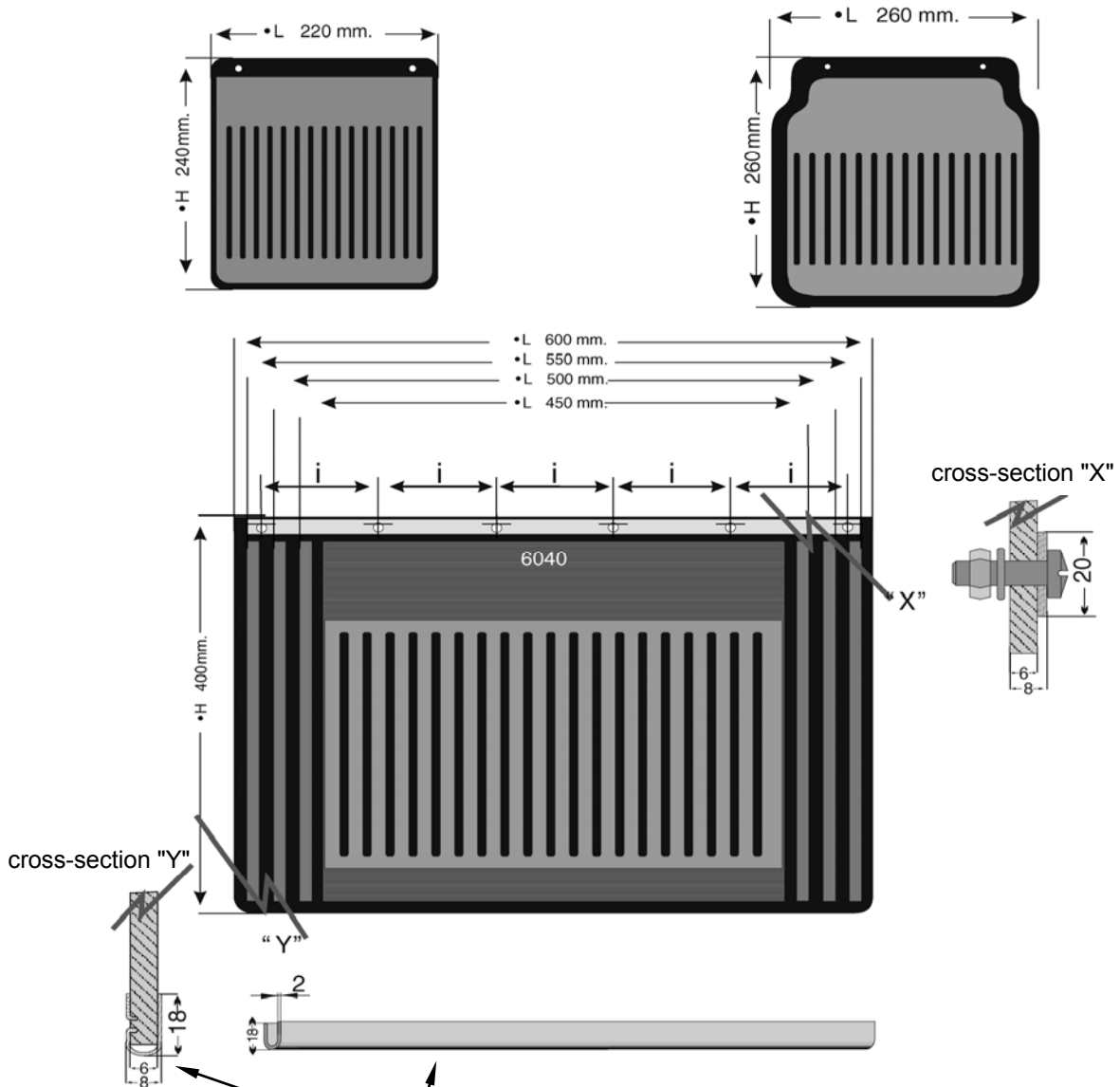
For trucks and trailers, with mounting kit and zinc plated bolts

Description:

Material: PVC, hardness - Shore A80± 6

Temperature resistance range : -20 °C ÷ +80 °C

Over the dimensions 500x300mm the width can be cut down to measure



On request, we can supply reinforcement and end closing profiles

8.7.1

MUD FLAPS



BLACK RIBBED MUD FLAPS WITH VERTICAL GROOVES

CODE	DESCRIPTION	L - mm	H - mm	i - mm	HOLE	WEIGHT
203-2224-26	Ribbed mud flaps	220	240	164	2	0,35
203-2626-26	Ribbed mud flaps	260	260	100	3	0,40
203-3030-26	Ribbed mud flaps	300	300	110	3	0,45
203-3530-26	Ribbed mud flaps	350	300	100	4	0,50
203-4030-26	Ribbed mud flaps	400/350	300	110	4	0,80
203-4530-26	Ribbed mud flaps	450	300	100	5	1,05
203-4040-26	Ribbed mud flaps	400	400	110	4	1,10
203-4540-26	Ribbed mud flaps	450	400	100	5	1,20
203-5030-26	Ribbed mud flaps	500/450	300	110	5	1,25
203-5040-26	Ribbed mud flaps	500/450	400	110	5	1,30
203-5530-26	Ribbed mud flaps	550/500/450	300	100	6	1,35
203-5540-26	Ribbed mud flaps	550/500/450	400	100	6	1,40
203-6030-26	Ribbed mud flaps	600/550/500/450	300	110	6	1,45
203-6040-26	Ribbed mud flaps	600/550/500/450	400	110	6	1,60
203-6530-26	Ribbed mud flaps	650/600/550/500/450	300	100	7	1,45
203-6540-26	Ribbed mud flaps	650/600/550/500/450	400	100	7	1,60
203-6050-26	Ribbed mud flaps	600/500	500	110	6	1,75
203-7030-26	Ribbed mud flaps	700/600/500	300	110	7	1,30
203-7040-26	Ribbed mud flaps	700/600	400	110	7	1,73

Remark:

Mud flaps are without of logo of manufacturer

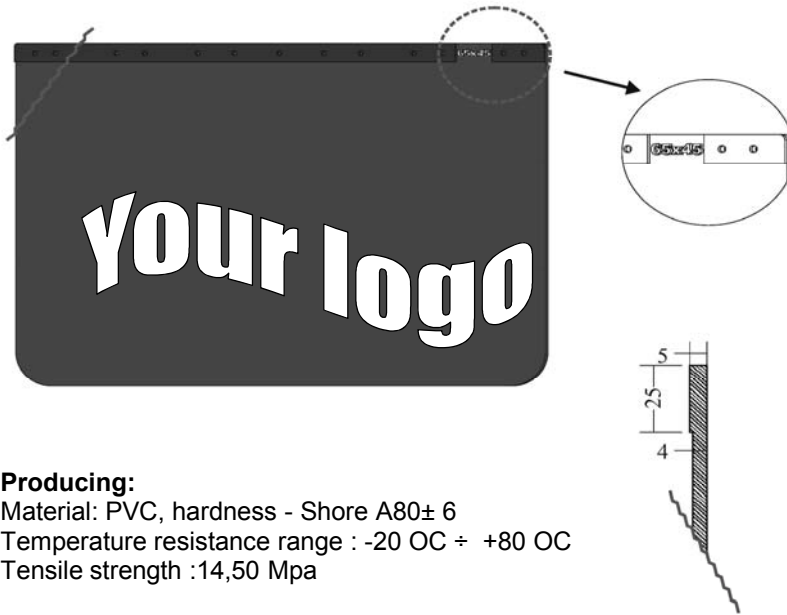
On request, we can supply reinforcement and end closing profiles

Packing:

The mud flaps are packed in pairs along with mounting kit in nylon package

BLACK MUD FLAPS WITH FLAT SURFACES SUITABLE FOR LOGO PRINTING

For trucks and trailers, suitable for multicolor logo printing, with mounting kit and zinc plated bolts



Producing:

Material: PVC, hardness - Shore A80± 6
 Temperature resistance range : -20 OC ÷ +80 OC
 Tensile strength :14,50 Mpa

CODE	DESCRIPTION	L - mm	H - mm	WEIGHT
203-3530-36	Printable, flat surface, mud flaps	350	300	1,30
203-4030-36	Printable, flat surface, mud flaps	400	300	1,50
203-4535-36	Printable, flat surface, mud flaps	450	350	2,16
203-5030-36	Printable, flat surface, mud flaps	500	300	1,90
203-5337-36	Printable, flat surface, mud flaps	530	370	2,45
203-6030-36	Printable, flat surface, mud flaps	600	300	2,05
203-6240-36	Printable, flat surface, mud flaps	620	400	3,28
203-6545-36	Printable, flat surface, mud flaps	650	450	3,10

Remark:

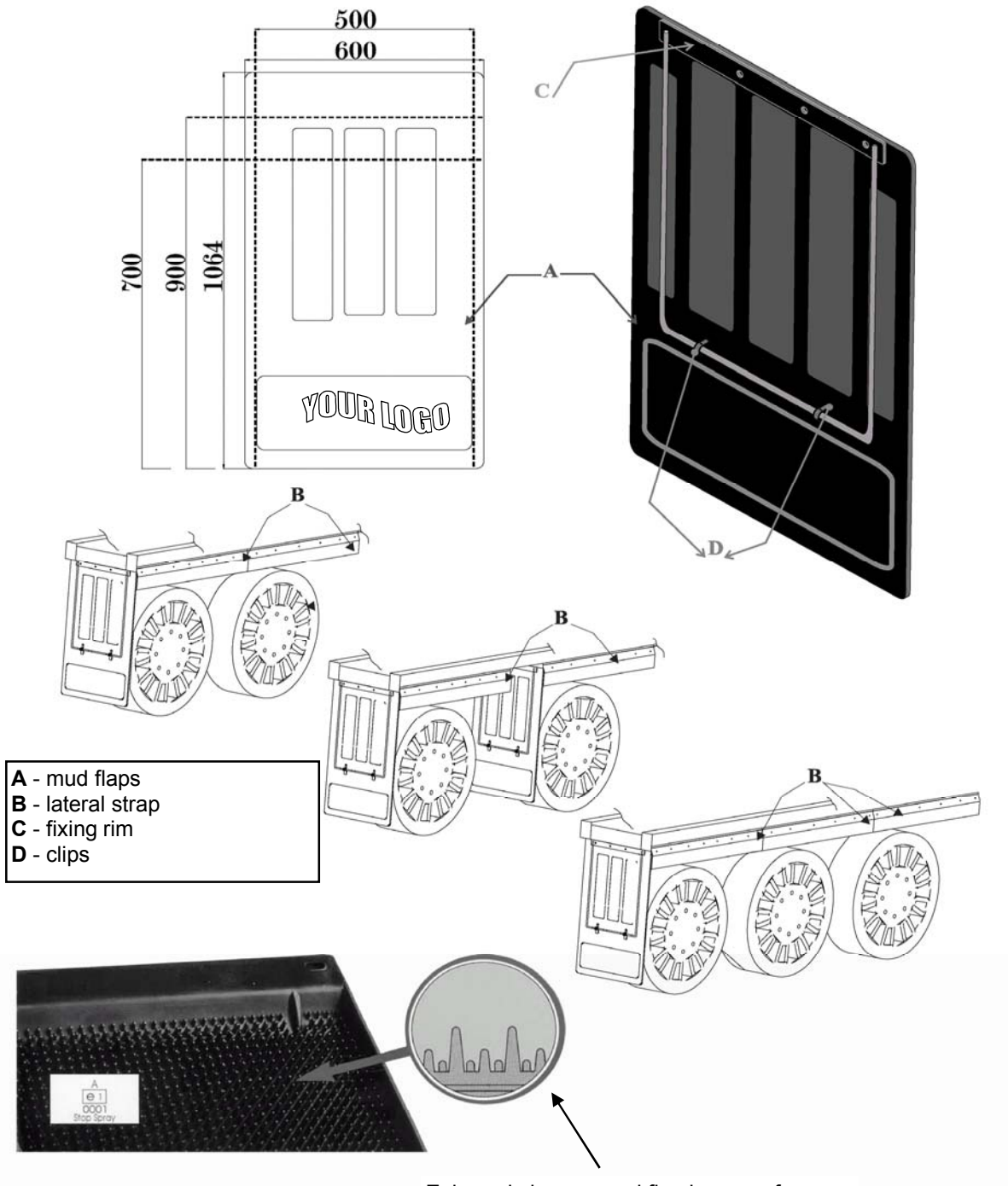
Mud flaps are without of logo of manufacturer
 On request, we can supply reinforcement and end closing profiles

Packing:

The mud flaps are packed in pairs along with mounting kit in nylon package

**MUD FLAPS "STOP SPRAY" - WITH ABILITY TO INHIBIT WATER SPRAY FORMATION
VERTICAL RIGID CONSTRUCTION, SUBSTITUTE FOR MUD GUARD**

For trucks and trailers, suitable for multicolor logo printing

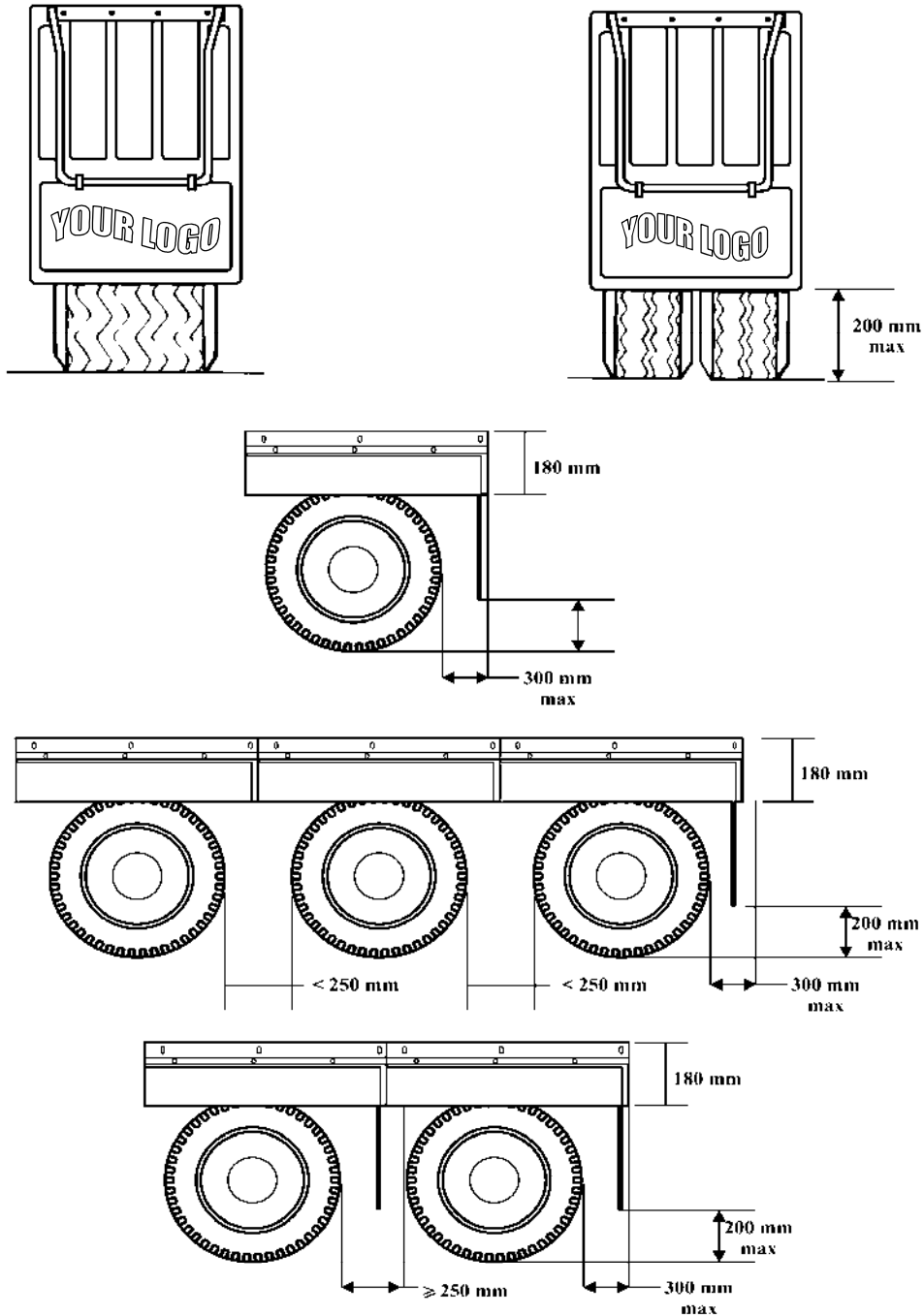


Enlarged view on mud flap inner surface

**MUD FLAPS "STOP SPRAY" - WITH ABILITY TO INHIBIT WATER SPRAY FORMATION
VERTICAL RIGID CONSTRUCTION, SUBSTITUTE FOR MUD GUARD**

For trucks and trailers, suitable for multicolor logo printing

Data needed for mounting mud flaps



8.7.5

MUD FLAPS - "STOP-SPRAY"



Mud flaps

CODE	DESCRIPTION	L - mm	H - mm	WEIGHT
203-5090-56	Rigid "STOP SPRAY" mud flaps	500	900	3,3
203-6090-56	Rigid "STOP SPRAY" mud flaps	600	900	5,25
203-5070-56	Rigid "STOP SPRAY" mud flaps	500	700	3,5
203-6070-56	Rigid "STOP SPRAY" mud flaps	600	700	3,65
203-50106-56	Rigid "STOP SPRAY" mud flaps	500	1064	5,2
203-60106-56	Rigid "STOP SPRAY" mud flaps	600	1064	7,1

Lateral straps with mud flaps properties

CODE	DESCRIPTION	L - mm	H - mm	WEIGHT
203-1005-56	Lateral strep "STOP SPRAY"	1318	180	2,7

Steel, ϕ 10mm fixing rim, electrostatic painted

CODE	DESCRIPTION	L - mm	H - mm	WEIGHT
203-5090-46	Fixing rim	500	900	1,7
203-6090-46	Fixing rim	600	900	1,8
203-5070-46	Fixing rim	500	700	1,5
203-6070-46	Fixing rim	600	700	1,6
203-50106-46	Fixing rim	500	1064	1,9
203-60106-46	Fixing rim	600	1064	2,0

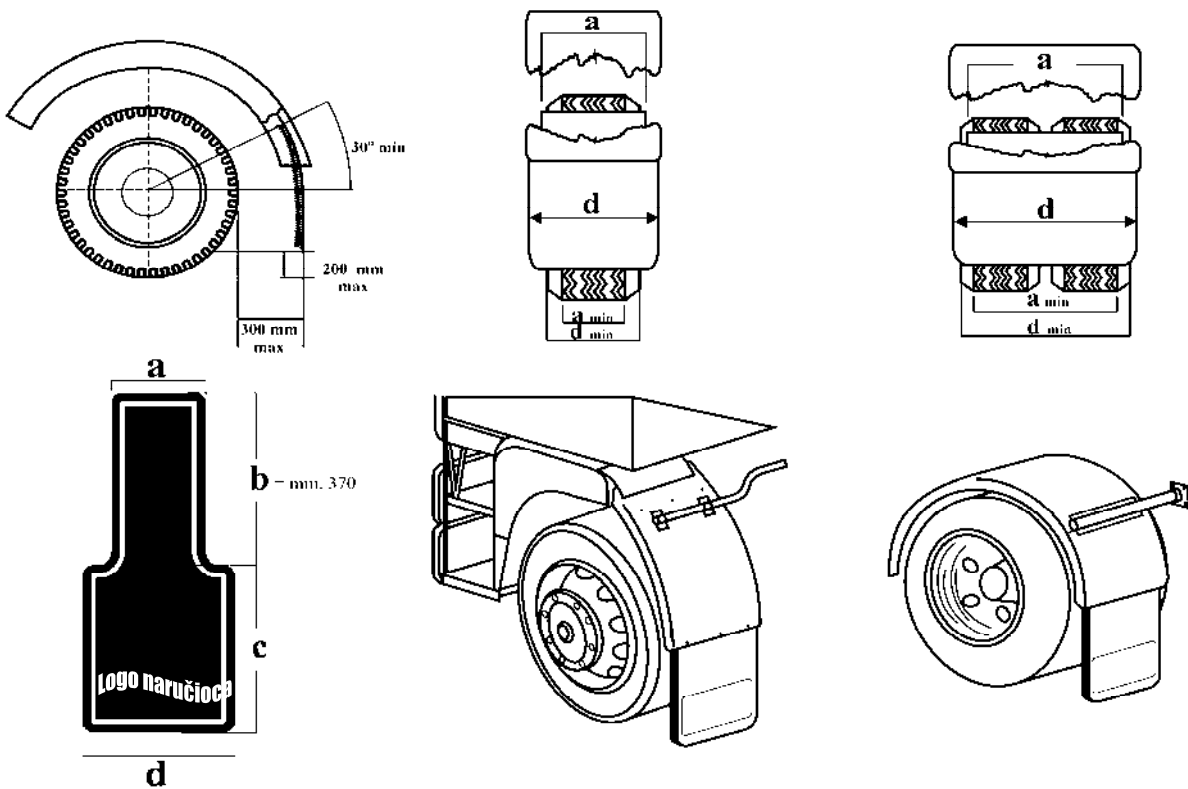
Clips

CODE	DESCRIPTION
204-1004-40	Fixing clips

**MUD FLAPS "STOP SPRAY" - WITH ABILITY TO INHIBIT WATER SPRAY FORMATION
FLEXIBLE VARIATION**

For trucks and trailers, suitable for multicolor logo printing, specially designed to fit in mud guards

Data needed for mounting mud flaps



There is a possibility to form the logo in the surface of mud flaps

when mud flaps length is calculated, dimension "B" - constant measure (370mm) - has to be added

8.7.7

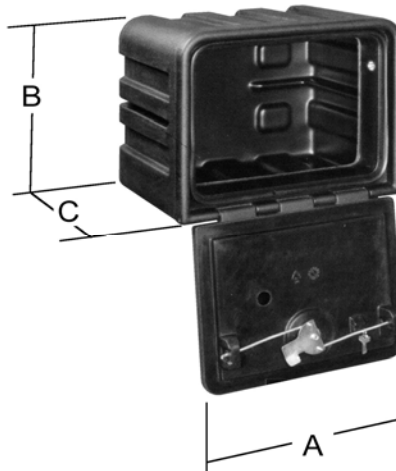
MUD FLAPS - "STOP-SPRAY"



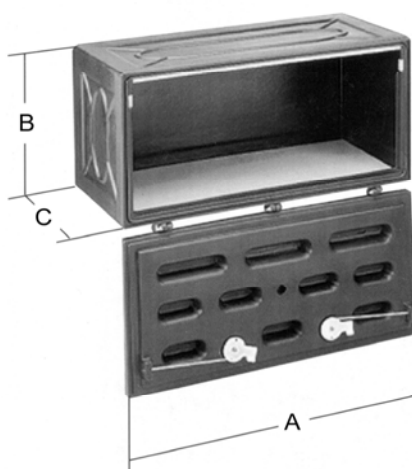
CODE	DESCRIPTION	a - mm	d - mm	c - mm	WEIGHT
203-4035-66	Flexible "STOP SPRAY" mud flaps	200	350	400	1,32
203-4535-66	Flexible "STOP SPRAY" mud flaps	200	350	450	1,345
203-5035-66	Flexible "STOP SPRAY" mud flaps	200	350	500	1,35
203-4040-66	Flexible "STOP SPRAY" mud flaps	200	400	400	1,35
203-4540-66	Flexible "STOP SPRAY" mud flaps	200	400	450	1,36
203-5040-66	Flexible "STOP SPRAY" mud flaps	200	400	500	1,38
203-4035-66	Flexible "STOP SPRAY" mud flaps	300	350	400	1,62
203-4535-66	Flexible "STOP SPRAY" mud flaps	300	350	450	1,65
203-5035-66	Flexible "STOP SPRAY" mud flaps	300	350	500	1,68
203-4040-66	Flexible "STOP SPRAY" mud flaps	300	400	400	1,7
203-4540-66	Flexible "STOP SPRAY" mud flaps	300	400	450	1,75
203-5040-66	Flexible "STOP SPRAY" mud flaps	300	400	500	1,8
203-4545-66	Flexible "STOP SPRAY" mud flaps	350	450	450	1,84
203-5045-66	Flexible "STOP SPRAY" mud flaps	350	450	500	1,85
203-4550-66	Flexible "STOP SPRAY" mud flaps	350	500	450	1,87
203-5050-66	Flexible "STOP SPRAY" mud flaps	350	500	500	1,9
203-4545-66	Flexible "STOP SPRAY" mud flaps	400	450	450	1,95
203-5045-66	Flexible "STOP SPRAY" mud flaps	400	450	500	2,14
203-4550-66	Flexible "STOP SPRAY" mud flaps	400	500	450	2,14
203-5050-66	Flexible "STOP SPRAY" mud flaps	400	500	500	2,2
203-4560-66	Flexible "STOP SPRAY" mud flaps	550	600	450	2,8
203-5060-66	Flexible "STOP SPRAY" mud flaps	550	600	500	2,87
203-4565-66	Flexible "STOP SPRAY" mud flaps	550	650	450	2,87
203-5065-66	Flexible "STOP SPRAY" mud flaps	550	650	500	2,88
203-4560-66	Flexible "STOP SPRAY" mud flaps	600	600	450	2,92
203-5060-66	Flexible "STOP SPRAY" mud flaps	600	600	500	3,02
203-4565-66	Flexible "STOP SPRAY" mud flaps	600	650	450	3,05
203-5065-66	Flexible "STOP SPRAY" mud flaps	600	650	500	3,03



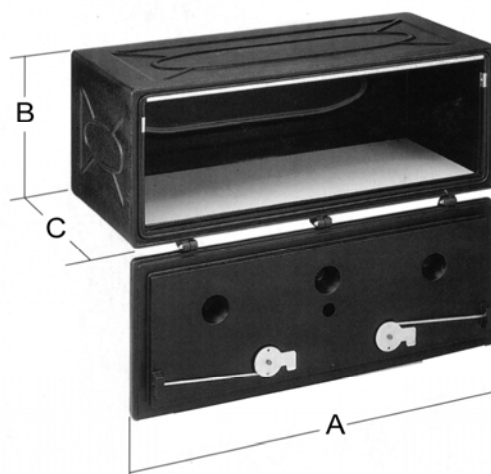
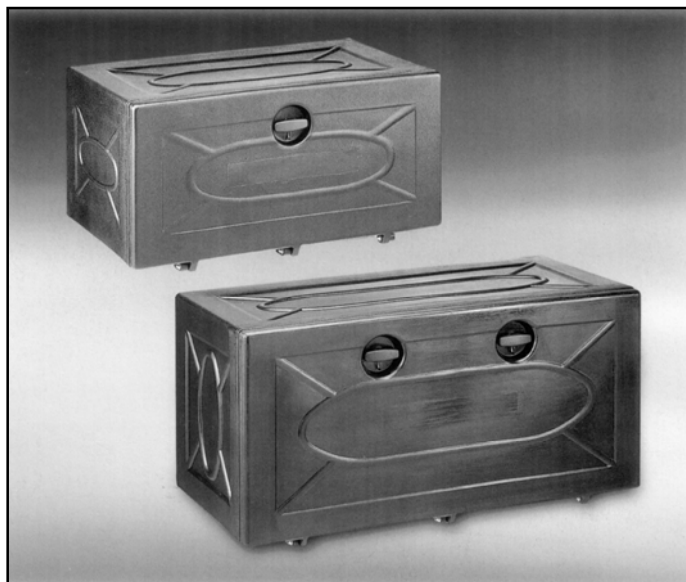
Special door with locking in the edges of box



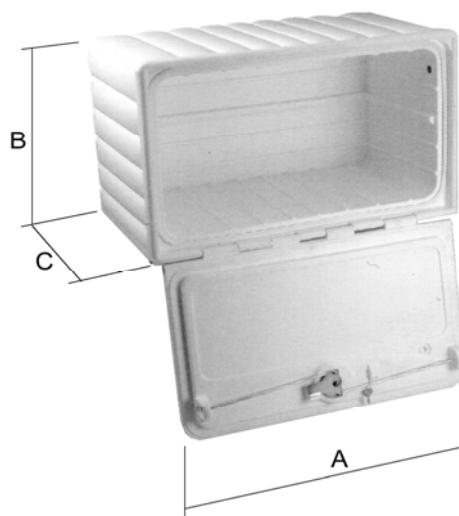
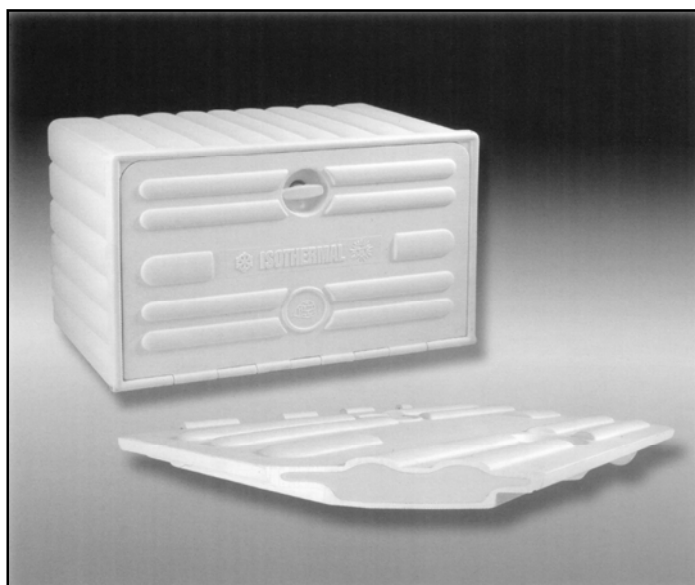
CODE	DESCRIPTION	A	C	B	WEIGHT
22-1004950-7	PVC tool box	1000	490	500	17,5
22-804950-7	PVC tool box	800	490	500	15,3
22-604745-7	PVC tool box	600	470	450	9,5
22-503740-17	PVC tool box	500	370	400	7
22-403735-17	PVC tool box	400	370	350	5,2



CODE	DESCRIPTION	A	C	B	WEIGHT
22-403535-17	PVC tool box	400	350	350	4,7
22-504530-17	PVC tool box	500	450	300	6,5



CODE	DESCRIPTION	A	C	B	WEIGHT
22-100465017	PVC tool box	1000	460	400	15
22-100465017	PVC tool box	1000	460	500	17,8
22-605040-17	PVC tool box	600	500	400	9,7
22-605050-17	PVC tool box	600	500	500	11,2
22-804640-17	PVC tool box	800	460	400	12
22-804650-17	PVC tool box	800	460	500	15,3



CODE	DESCRIPTION	A	C	B	WEIGHT
22-805050-27	thermo isolated box for foodstuff - white	800	500	500	15,6

221-403535-G

221-504530-G

221-605040-G

221-605050-G



221-804640-G

221-804650-G

221-1004650G

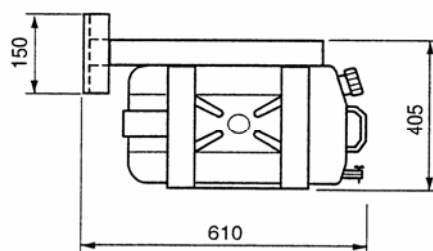


221-050-G



221-011-7

CODE	DESCRIPTION
221-403535-G	support for tool box 40x35x35 - garn
221-504530-G	support for tool box 50x45x30 - garn
221-605040-G	support for tool box 60x50x40 - garn.
221-605050-G	support for tool box 60x50x50 - garn
221-804640-G	support for tool box 80x46x40 - garn
221-804650-G	support for tool box 80x46x50 - garn
221-1004650G	support for tool box 100x46x50 - garn
221-050-G	PVC lock for tool box
221-011-7	PVC cover for lock

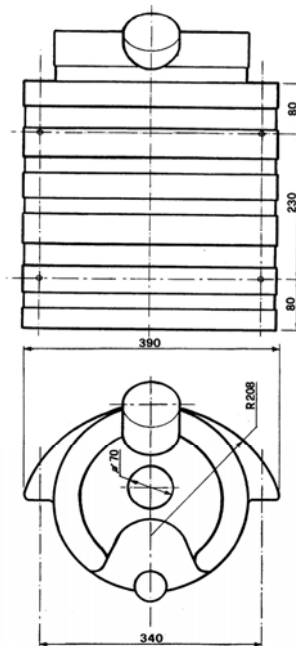
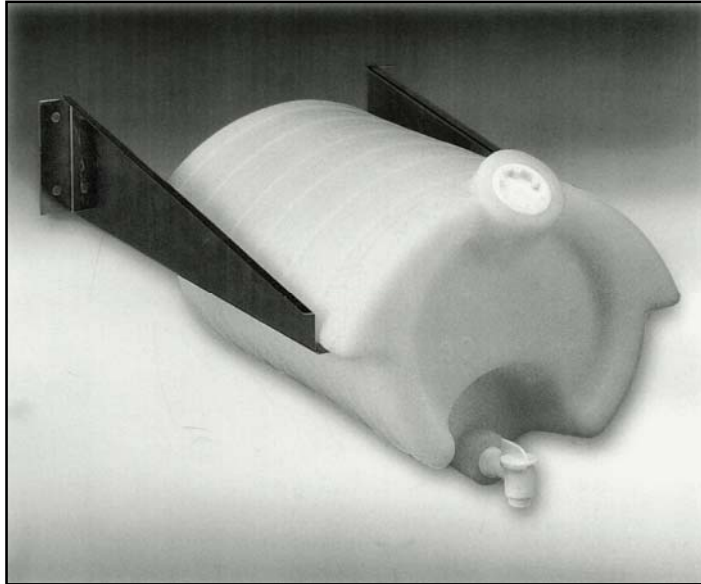


CODE	DESCRIPTION
23-25-10G	Water tank 25 l set
23-25-127	support for tank
23-25-127	Water tank 25 l

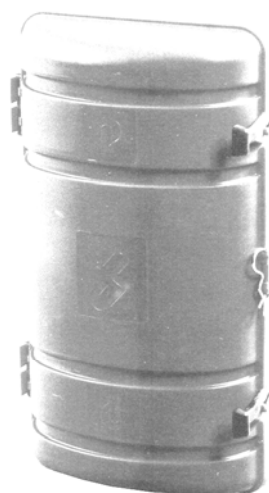
8.14

WATER TANK 32 lit

EUROWIND



CODE	DESCRIPTION
23-32-10G	Water tank 32 lit with support
23-32-107	Water tank 32 l
23-32-110	Supports



24-6-207



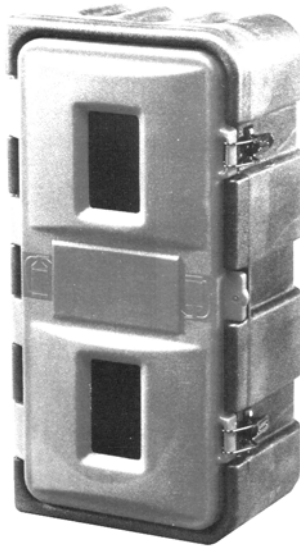
24-6-407

24-912-207

CODE	DESCRIPTION
24-6-407	fire extinguisher box 6kg
24-912-207	fire extinguisher box 6-12kg
24-6-207	fire extinguisher box 6kg

8.16

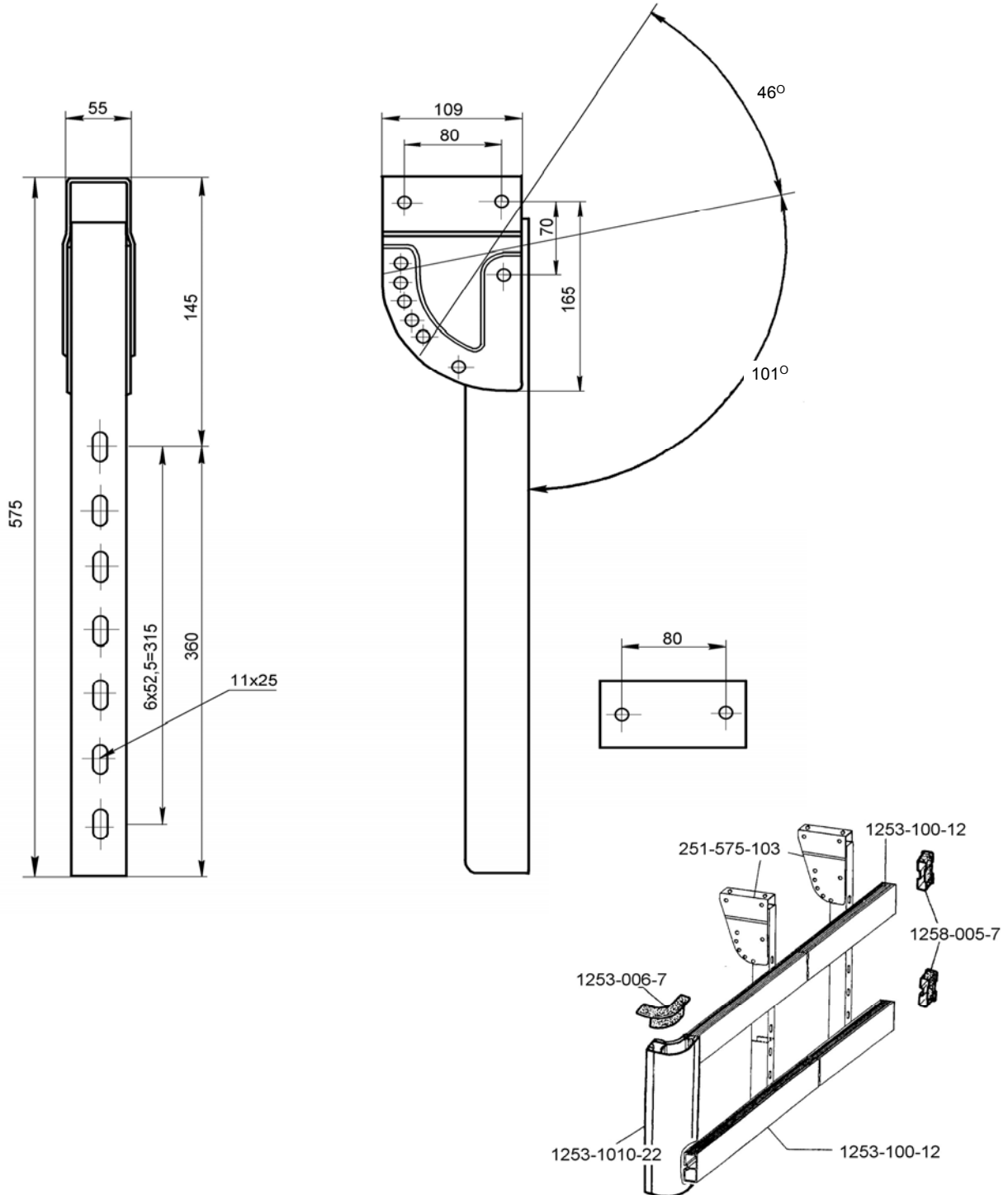
FIRE EXTINGUISHER BOX



24-69-107



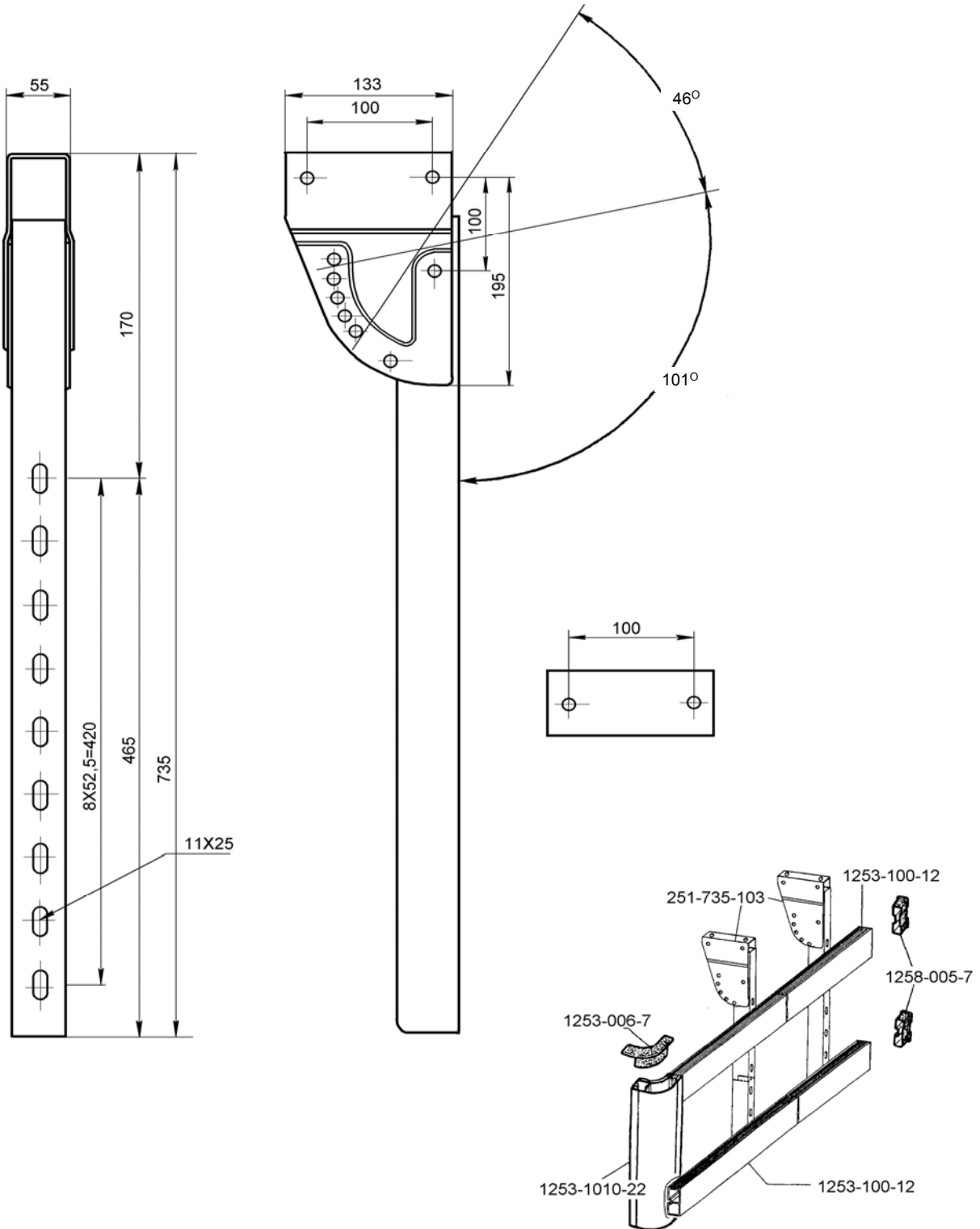
CODE	DESCRIPTION
24-69-107	fire extinguisher box 6-9kg



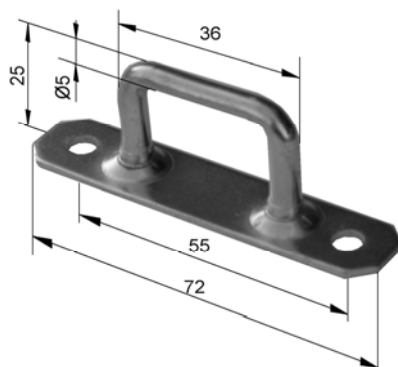
CODE	DESCRIPTION	SURFACE	WEIGHT
251-575-103	console 575 mm	zinc plated	2,22

8.18

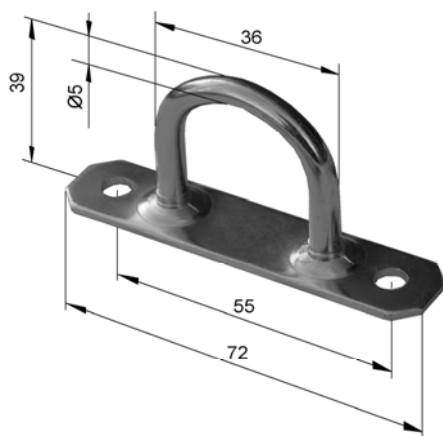
SUPPORTS FOR LATERAL PROTECTIONS
735 mm



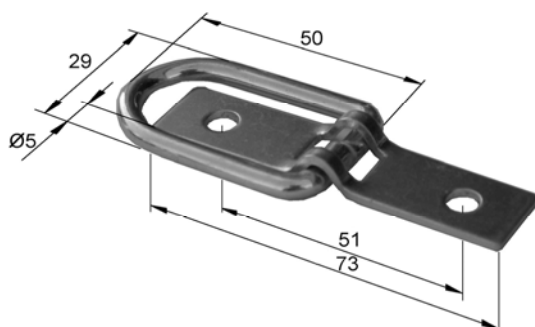
CODE	DESCRIPTION	SURFACE	WEIGHT
251-735-103	console 735 mm	zinc plated	3



71-2620-103



71-2543-103



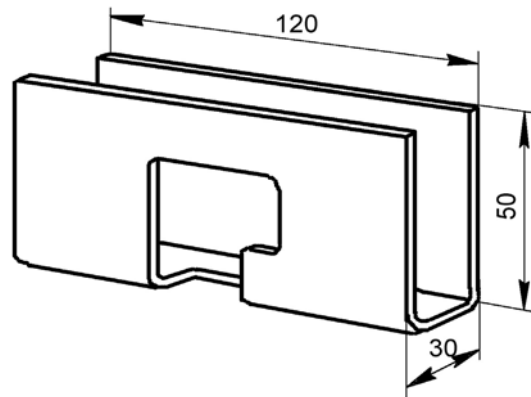
71-1940-103

CODE	DESCRIPTION	SURFACE	WEIGHT
71-2620-103	rectangular sheet ring	zinc plated	0,02
71-2543-103	sheet ring	zinc plated	0,02
71-1940-103	sheet ring - elbow	zinc plated	0,02

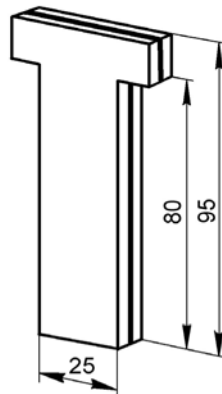
8.20

TARPAULIN BODY PARTS
TOP COUPLING

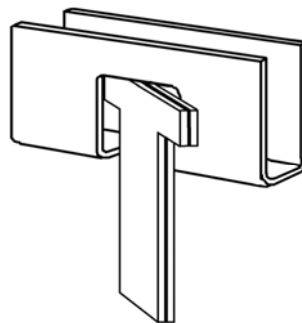
EUROWIND



72-120-118

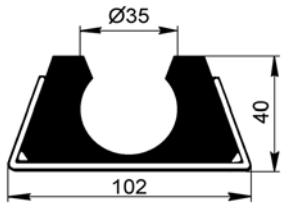


72-120-128

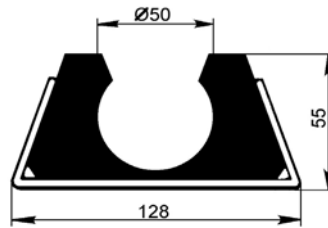
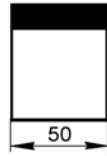


72-120-10G

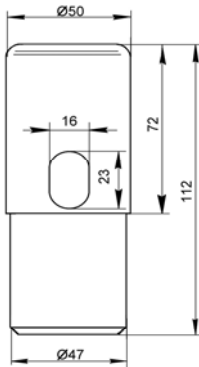
CODE	DESCRIPTION	SURFACE	WEIGHT
72-120-10G	top coupling garniture	raw	0,41
72-120-118	top coupling upper part	raw	0,28
72-120-128	top coupling lower "T" part	raw	0,13



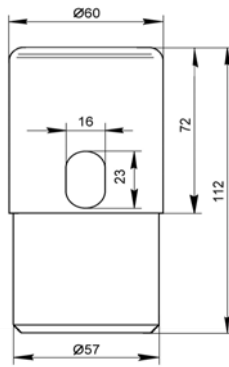
73-35-10G



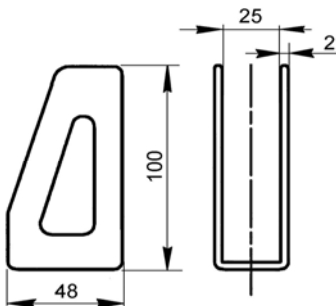
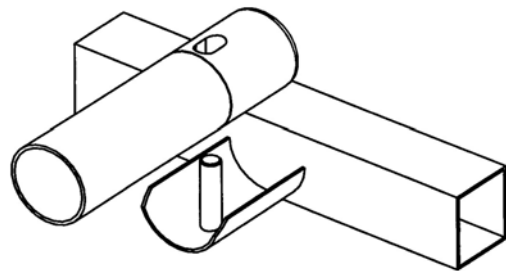
73-50-10G



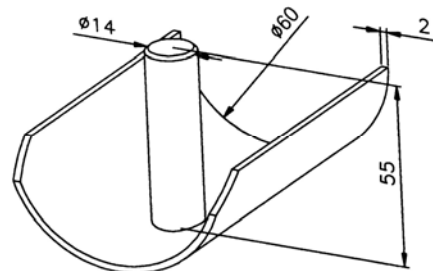
73-50-017



73-60-017



73-25-018



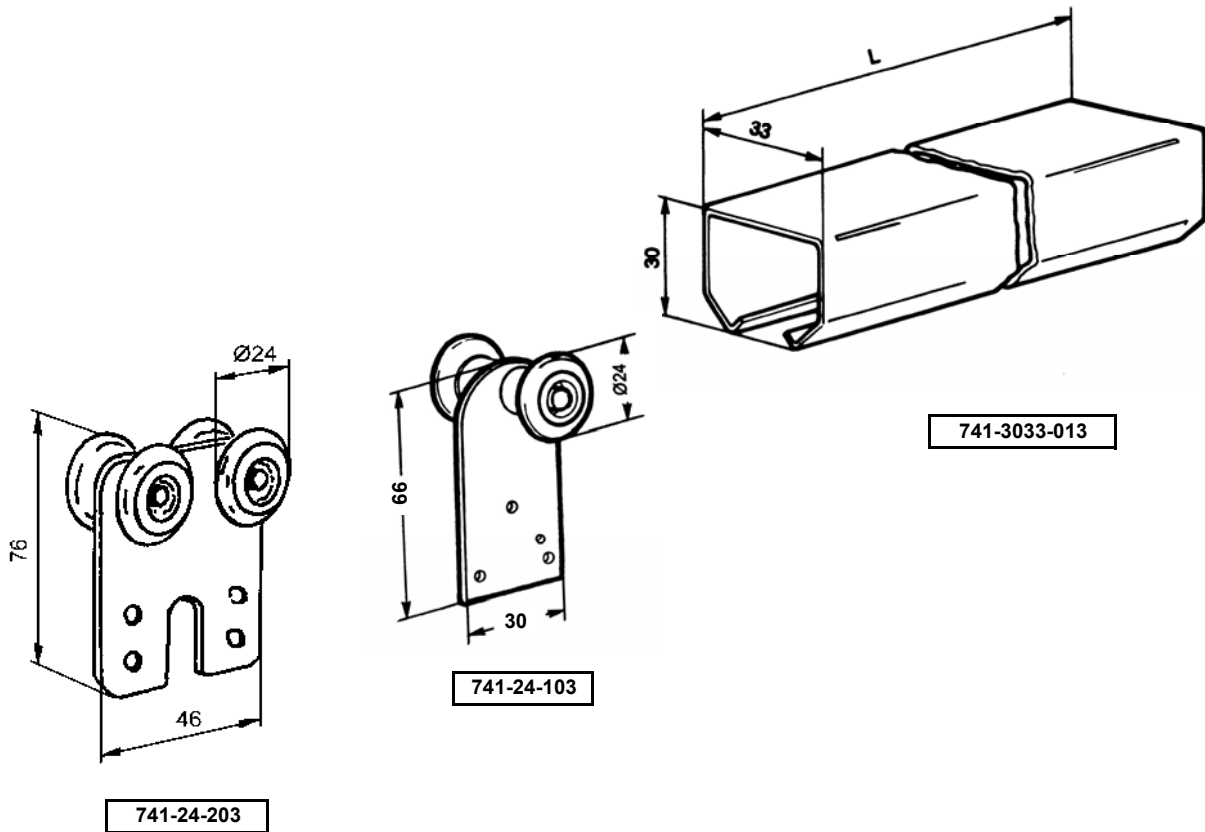
73-6015T-18

CODE	DESCRIPTION	SURFACE	WEIGHT
73-25-018	fitting supports for side tops	raw	0,135
73-35-10G	rubber stud for Ø35 mm pipe	raw	0,32
73-50-10G	rubber stud for Ø50 mm pipe	raw	0,5
73-50-017	plug for pipe Ø50 mm PVC	raw	0,1
73-60-017	plug for pipe Ø60 mm PVC	raw	0,14
73-6015T-18	pipe support Ø60 mm metal	raw	0,2

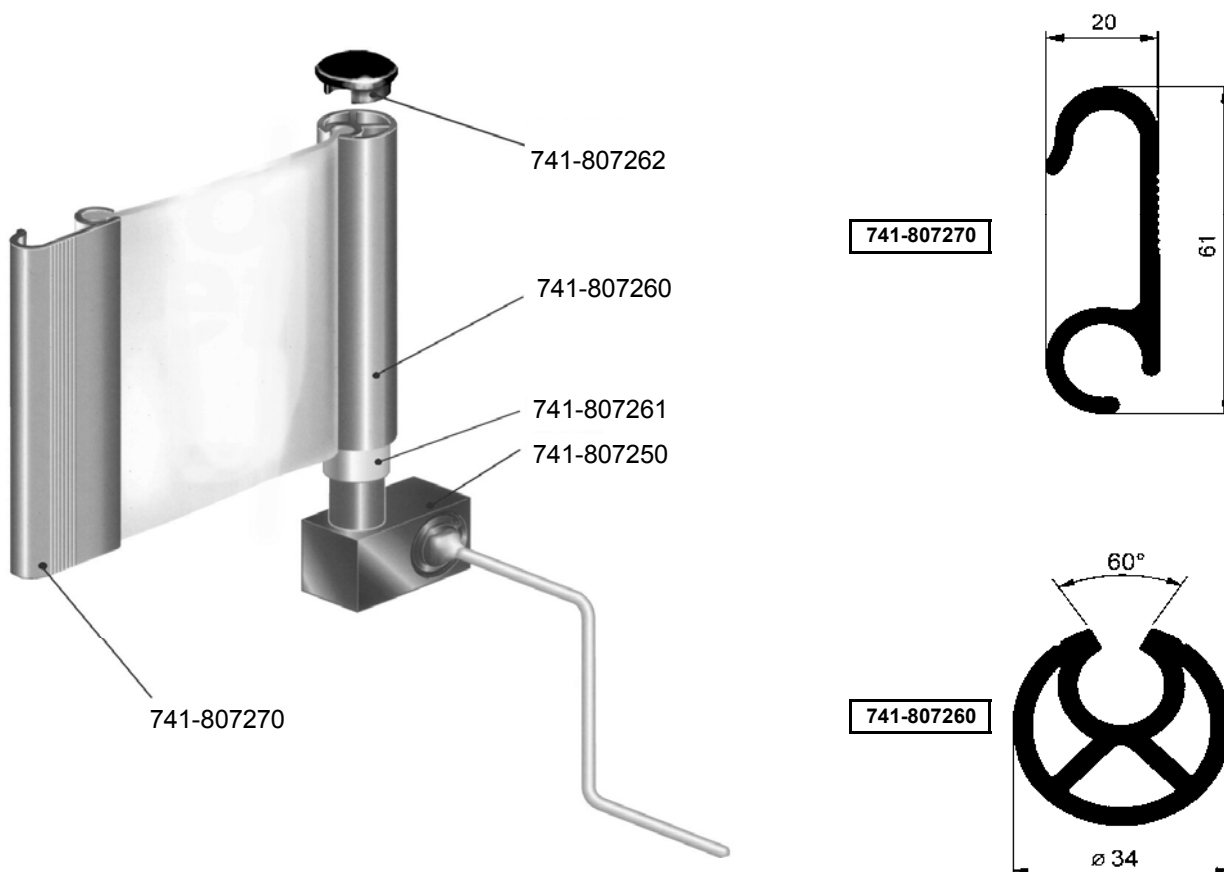
8.22

SIMPLE CURTAINSIDER

EUROWIND



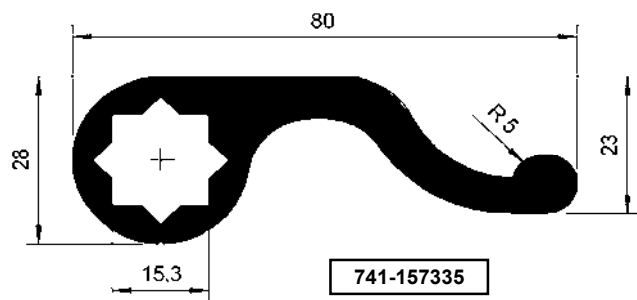
CODE	DESCRIPTION	SURFACE	LENGTH - m	WEIGHT
741-3033-013	rail	zinc plated	6	7,5
741-24-103	sliding carriage	zinc plated		0,06
741-24-203	double sliding carriage	zinc plated		0,1



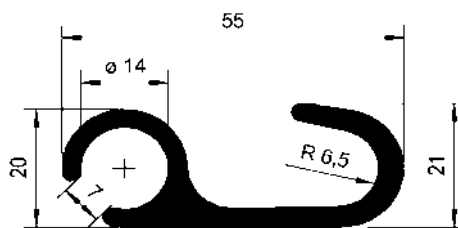
CODE	DESCRIPTION	SURFACE	LENGTH - m	WEIGHT
741-807250	reducer for lateral tensioner with handle	painted		2
741-807260	aluminum profile to roll lateral curtain	nature	3	3,3
741-807261	reducer connection to pipe	nature		0,2
741-807262	upper pipe plug	nature		0,3
741-807270	Aluminum hook profile	elox	3,7	3,3

8.22.2

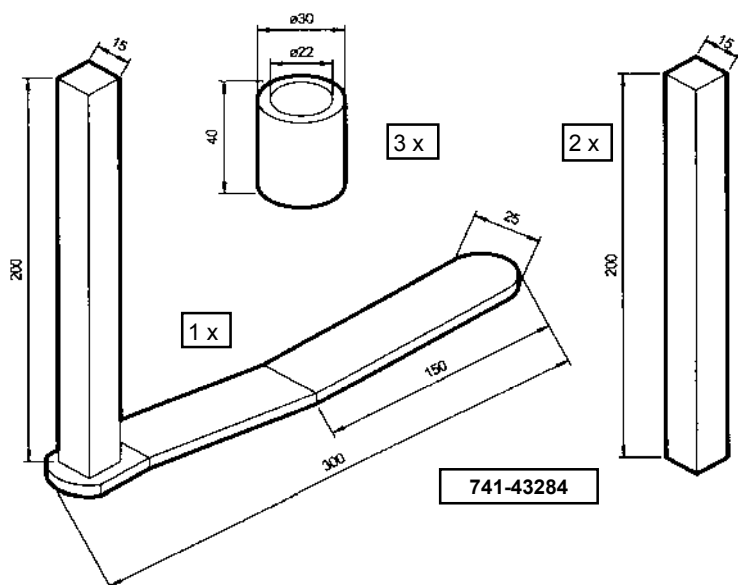
HOOKED ELEMENTS FOR TARPAULIN TENSIONING



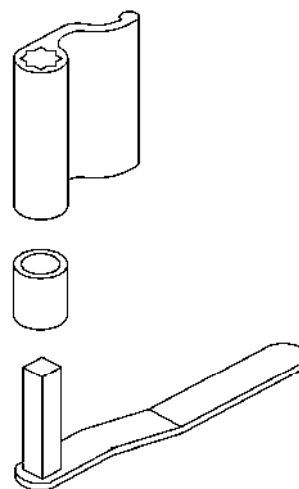
741-157335



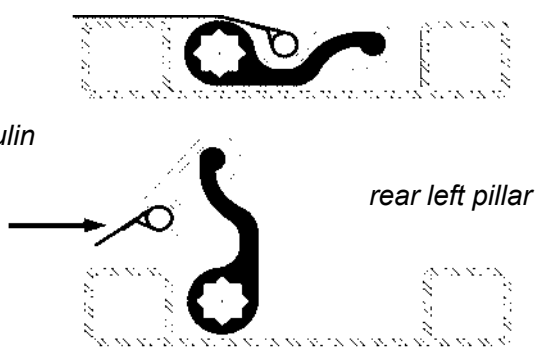
741-15736



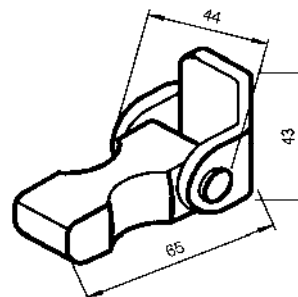
741-43284



Tarpaulin



rear left pillar

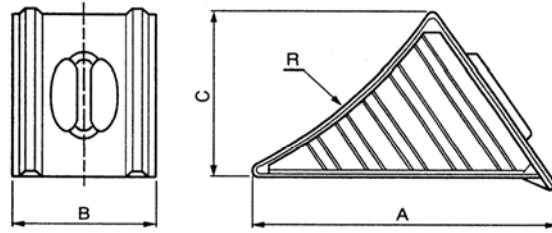


741-16221

CODE	DESCRIPTION	SURFACE	LENGTH - m	WEIGHT
741-15735	Aluminum profile for tensing	elox	6,6	14,23
741-15736	Aluminum hook	elox	6,6	6,52
741-43284	tensing lever set	nature		1,5
741-16221	lever retainer	nature		0,22

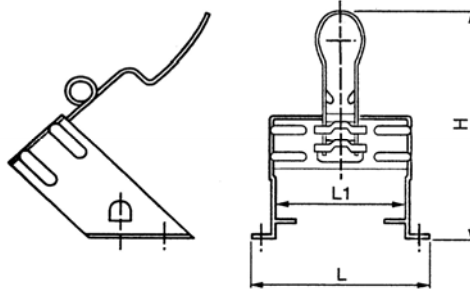
8.23

**WHEEL WEDGE - WHEEL WEDGE SUPPORT ,
RISE FOOTBOARD**



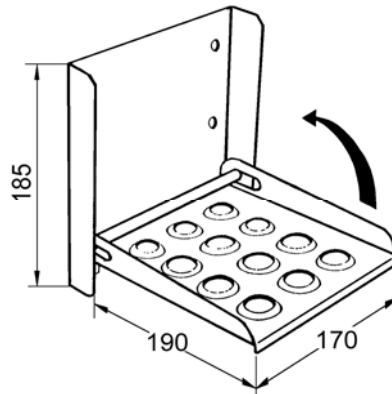
291-470-105

291-320-105



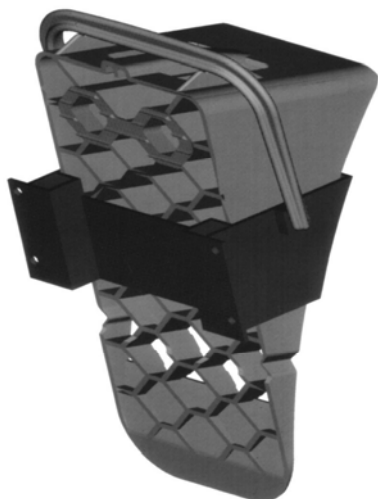
291-470-115

291-320-115

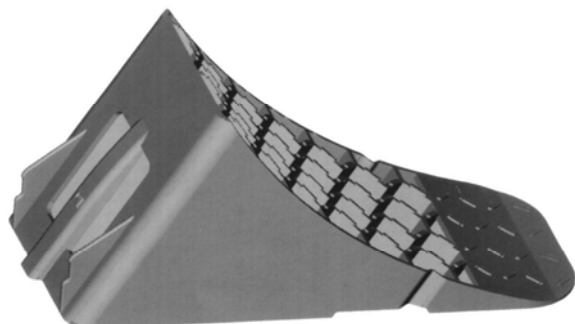
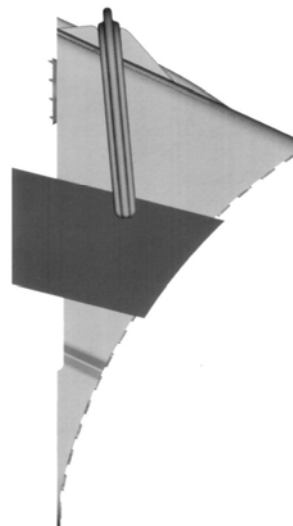


211-170-103

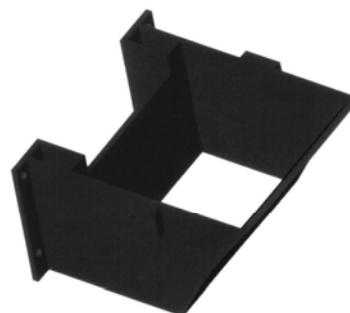
CODE	DESCRIPTION	SURFACE	A	B	C	R	WEIGHT
291-470-105	wheel wedge - big	painting	470	200	230	560	
291-320-105	wheel wedge - s	painting	320	160	190	460	
CODE	DESCRIPTION	SURFACE	L	L1	H		WEIGHT
291-470-115	holder w. wedge b	painting	250	206	290		
291-320-115	holder w. wedge s	painting	215	165	250		
211-170-103	rise footboard	zinc plated					0,8



291-9215-107



291-9210-107

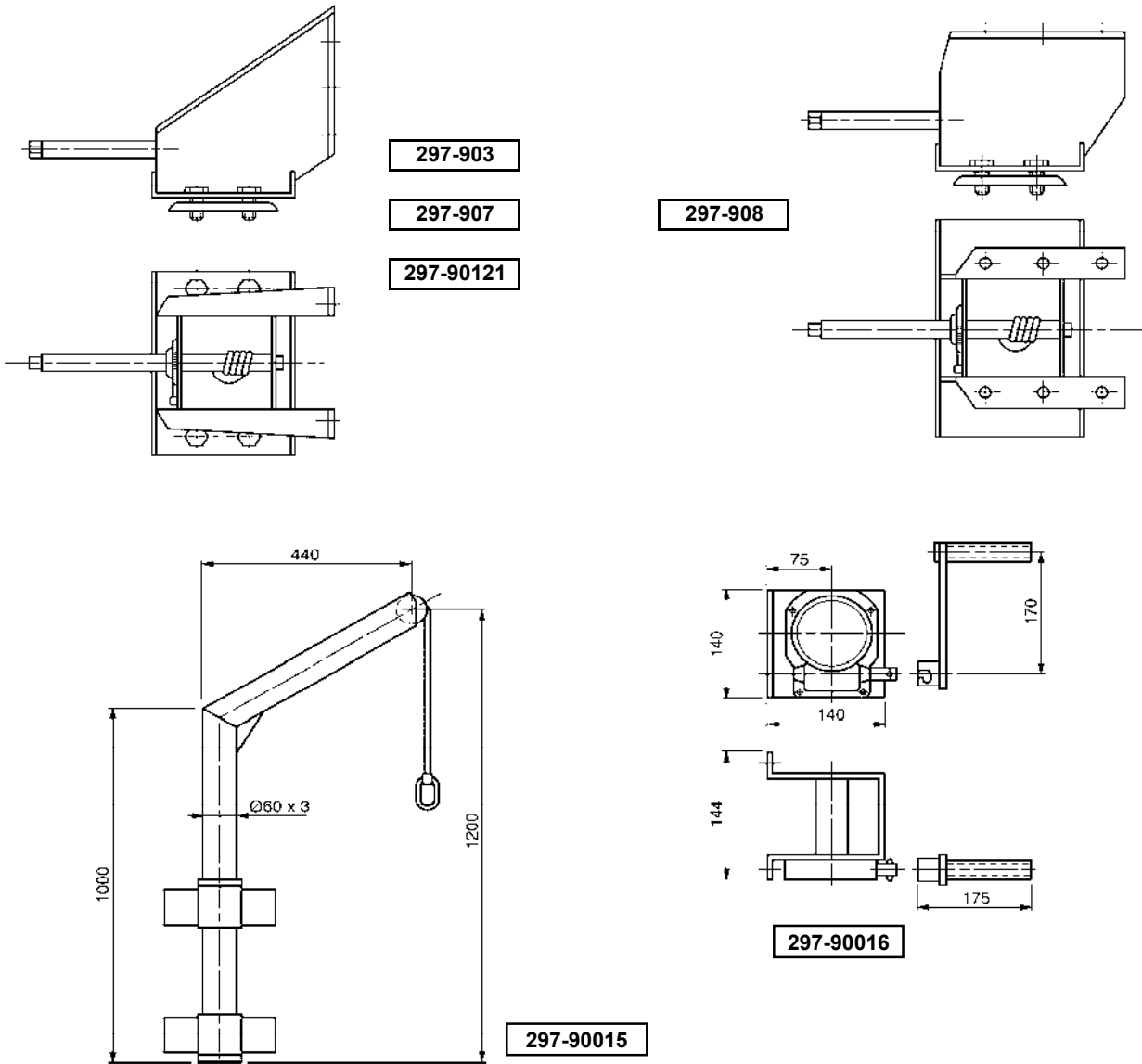


291-9220-103

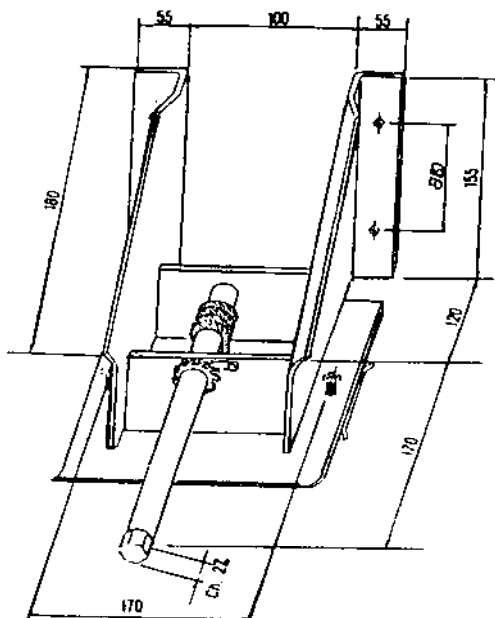
CODE	DESCRIPTION
291-9210-107	PVC wheel wedge- yellow
291-9215-107	PVC wheel wedge support
291-9220-103	zinc plated wheel wedge support

8.23.2

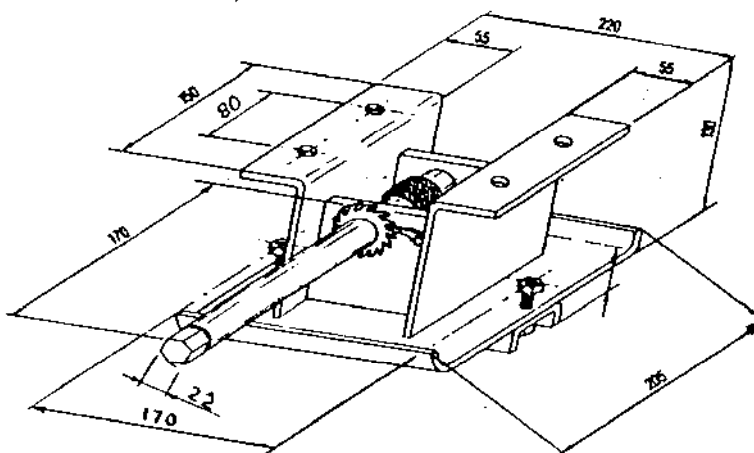
SPARE WHEEL SUPPORT



CODE	DESCRIPTION	SURFACE	WEIGHT
297-903	Spare wheel support i=335mm with 10 hole vertical	nature	16,4
297-907	Spare wheel support i=275mm with 8 hole vertical	nature	13,15
297-90121	Spare wheel support i=275mm with winch	nature	23
297-908	Spare wheel support i=275mm with 8 hole horizontal	nature	11,8
297-90015	Spare wheel support h1200	nature	11,5
297-90016	Spare wheel winch	nature	4,1

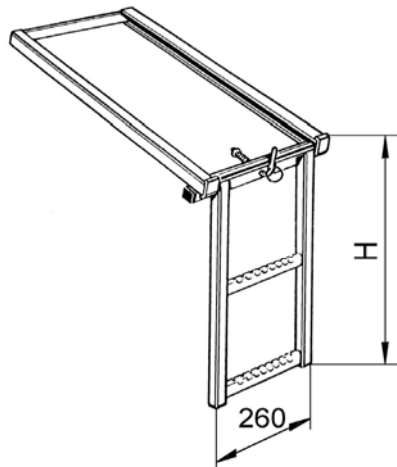


297-5011



297-501161

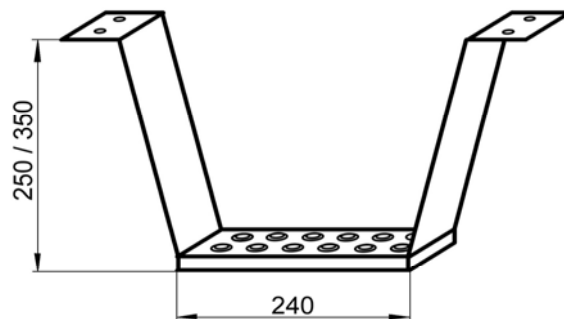
CODE	DESCRIPTION	SURFACE	WEIGHT
297-5011	Spare wheel support i=170mm, with 6 hole vertical	nature	6
297-501161	Spare wheel support i=170mm, with 6 hole horizontal	nature	6



212-1-113

212-2-113

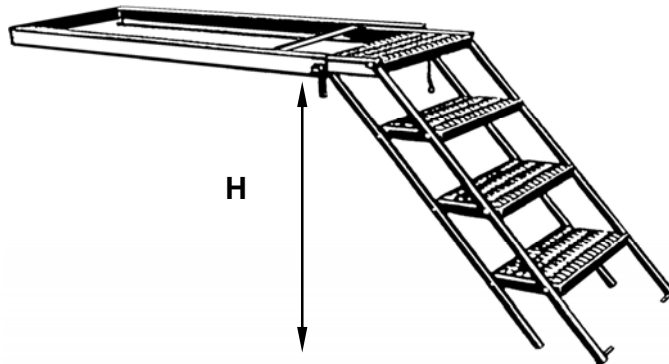
212-3-113



213-1-103

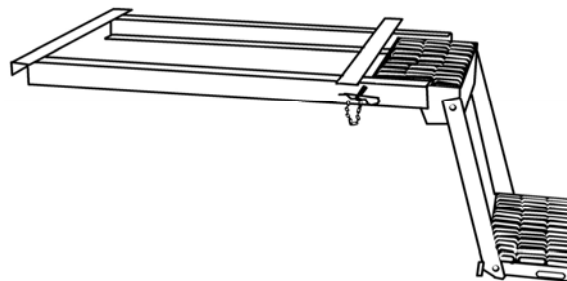
213-1-203

CODE	DESCRIPTION	SURFACE	WEIGHT
212-1-103	pull-out single step folding ladder H=380	zinc plated	3,25
212-2-103	pull-out single step folding ladder H=670	zinc plated	4,5
212-3-103	pull-out single step folding ladder H=750	zinc plated	5,1
213-1-103	steel step 250 mm	zinc plated	1,5
213-1-203	steel step 350 mm	zinc plated	2,85

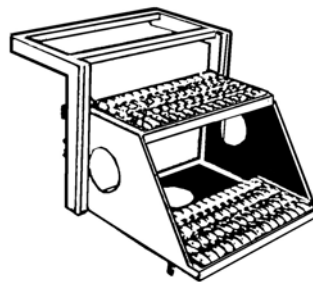


212-4-103

212-5-103

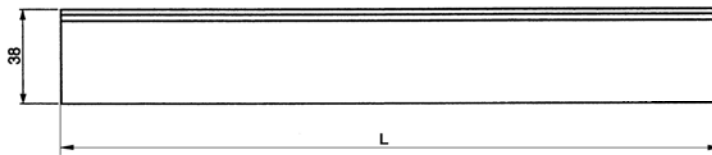
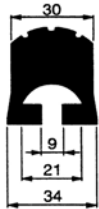


212-2-203



214-2-303

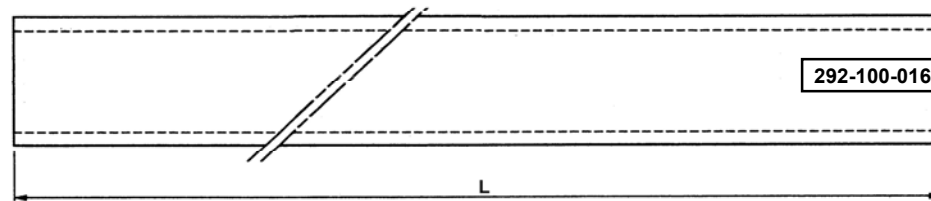
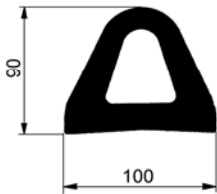
CODE	DESCRIPTION	SURFACE	WEIGHT
212-4-103	pull-out four step folding ladder H= 750 - 850mm	zinc plated	36
212-5-103	pull-out five step folding ladder H= 800 - 950mm	zinc plated	42
212-2-203	pull-out two step folding ladder	zinc plated	17
214-2-303	two step folding ladder	zinc plated	19



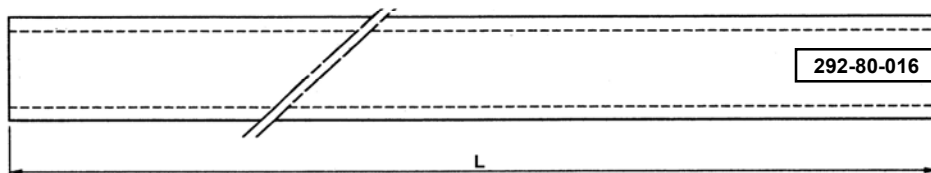
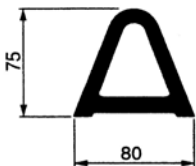
292-34-016

292-34-026

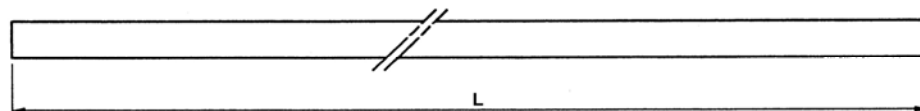
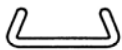
292-34-036



292-100-016

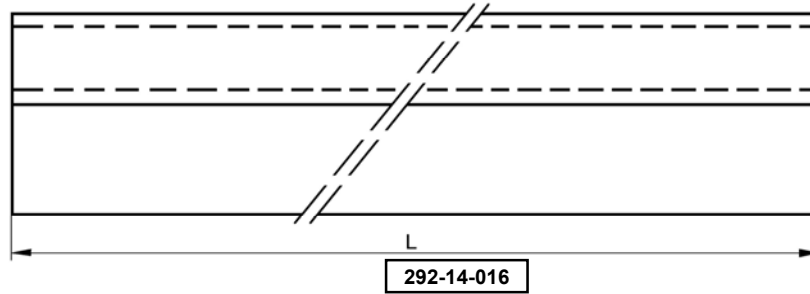
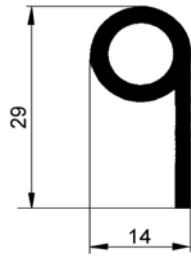


292-80-016

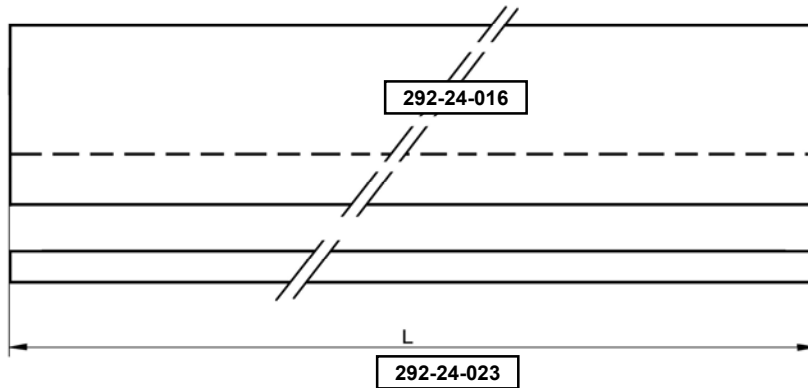
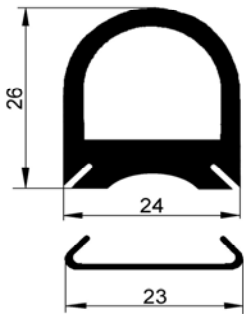


292-80-023

CODE	DESCRIPTION	SURFACE	L (mm)	WEIGHT
292-34-016	Stiff PVC lateral buffer	raw	2500	2,53
292-34-026	Stiff PVC lateral buffer	raw	3000	3,1
292-34-036	Stiff PVC lateral buffer	raw	3200	3,2
292-100-016	Rubber plug buffer	raw	2500	6,35
292-80-016	Rubber plug buffer	raw	2600	6,8
292-80-023	support for rubber plug buffer 292-80-016	zinc plated	2600	5

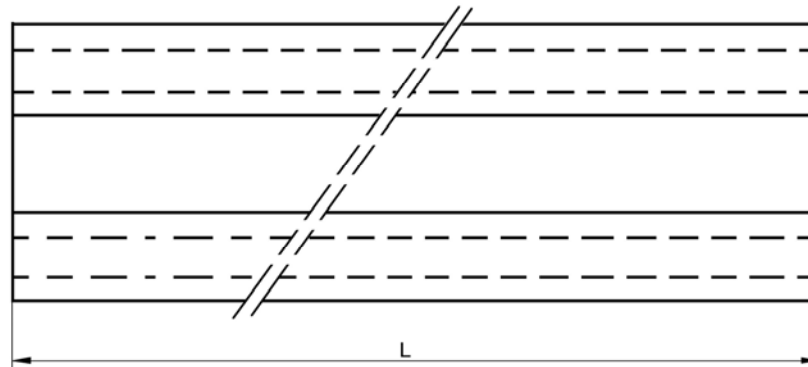
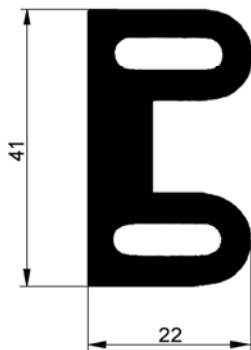


292-14-016



292-24-016

292-24-023



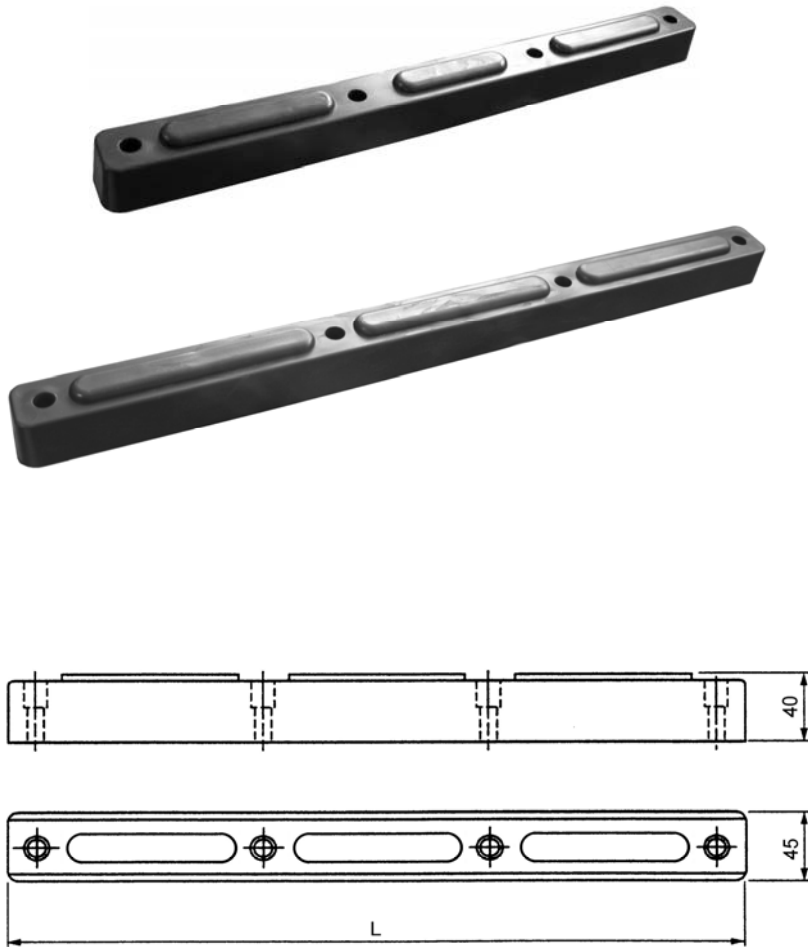
292-22-016

CODE	DESCRIPTION	SURFACE	L (mm)	WEIGHT
292-14-016	rubber profile	raw	25000	2,18
292-24-016	rubber profile	raw	2400	0,62
292-24-023	support for rubber profile 292-24-016	raw	2500	0,7
292-22-016	rubber profile	raw	25000	16,25

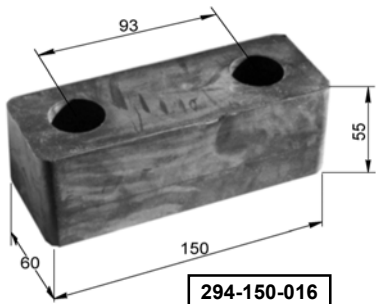
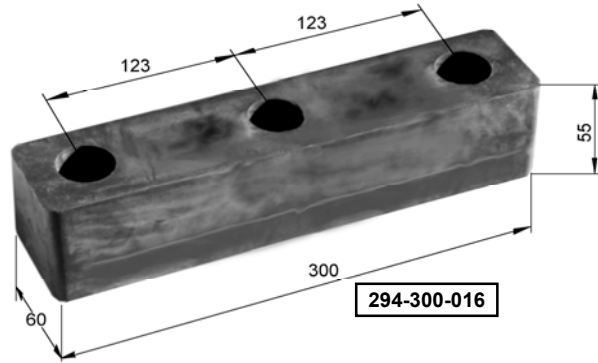
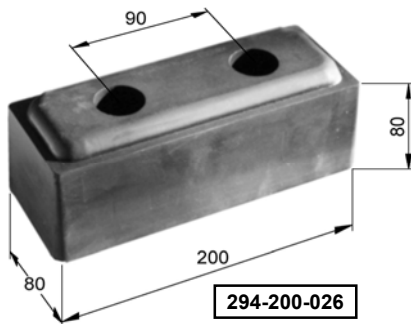
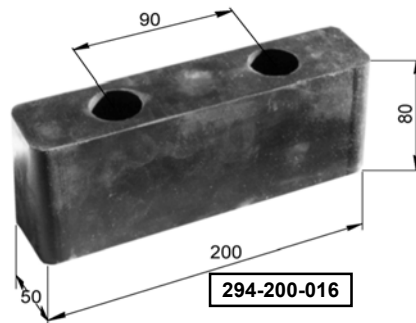
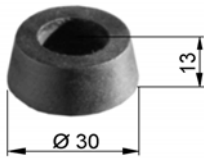
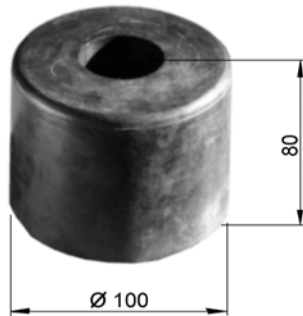
8.28

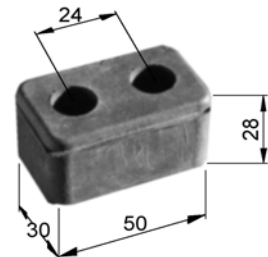
PVC BUFFER

EUROWIND

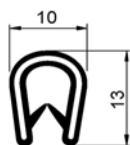


CODE	DESCRIPTION	SURFACE	L (mm)	WEIGHT
292-480-017	PVC buffer 480x45x40	raw	480	0,6
293-580-027	PVC buffer 580x45x40	raw	580	0,7
293-680-037	PVC buffer 680x45x40	raw	680	0,8

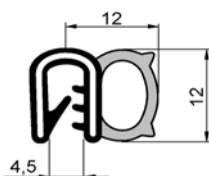

294-150-016

294-300-016

294-200-026

294-200-016

294-30-016

294-100-016

294-60-016

294-50-016

CODE	DESCRIPTION	SURFACE	WEIGHT
294-150-016	rubber buffer 150x60x55	raw	0,565
294-300-016	rubber buffer 300x60x55	raw	1,05
294-200-026	rubber buffer 200x80x80	raw	1,2
294-200-016	rubber buffer 200x50x80	raw	0,78
294-30-016	rubber buffer 30x13	raw	0,03
294-100-016	rubber buffer 100x80	raw	0,5
294-60-016	rubber buffer 50x60	raw	0,105
294-50-016	rubber insert 50x30x28	raw	0,04



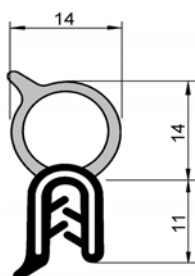
295-10-016



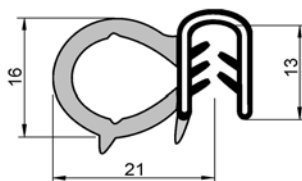
295-12-016



295-14-016

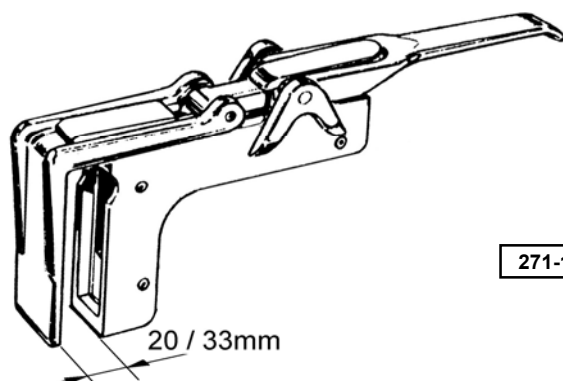


295-14-026

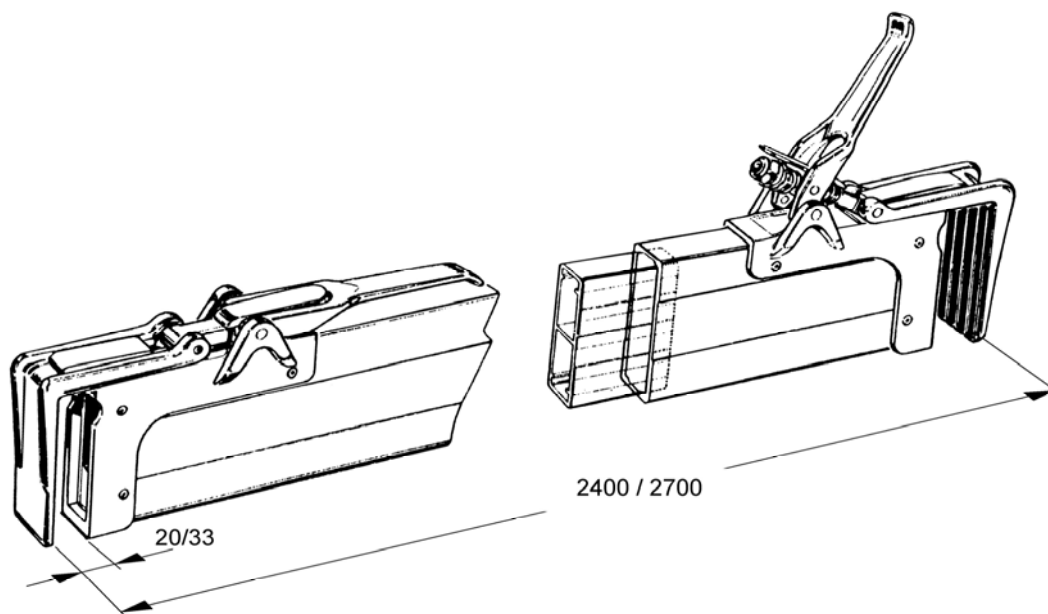


295-16-016

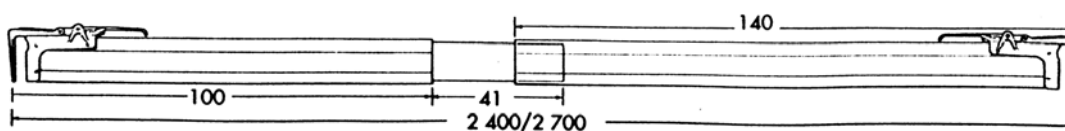
CODE	DESCRIPTION	LENGTH - m	WEIGHT
295-10-016	rubber seals	25	3,3
295-12-016	rubber seals with pipe of 12 mm	25	4,35
295-14-016	rubber seals with pipe of 14 mm	25	5,32
295-14-026	rubber seals with pipe of 14 mm	25	5,3
295-16-016	rubber seals with pipe of 16 mm	20	5,24



271-1010-3



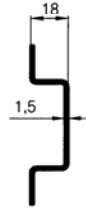
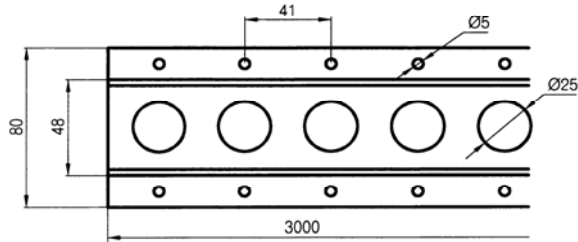
271-1100-G



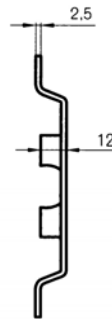
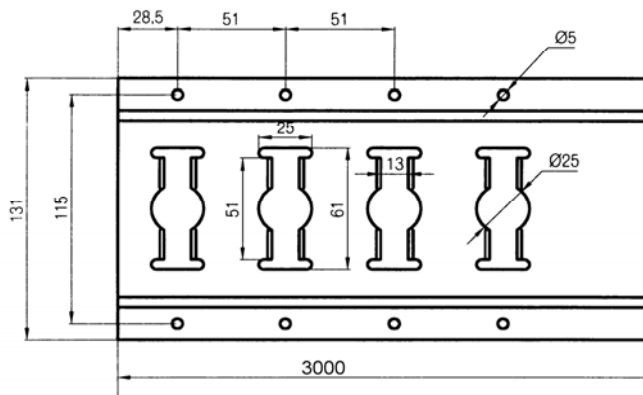
CODE	DESCRIPTION	SURFACE	WEIGHT
271-1010-3	load retainer lock	zinc plated	2,4
271-1100-G	adjustable load stop system with pliers	nature / zinc plated	10

8.32

RAILS

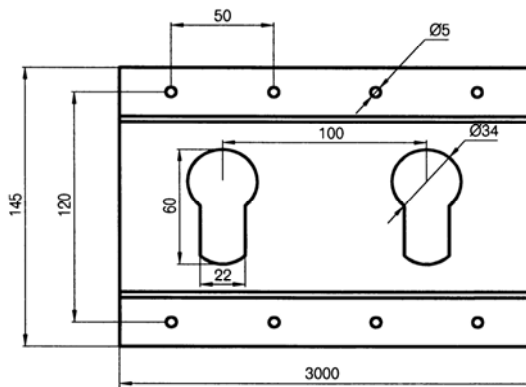


272-25-013



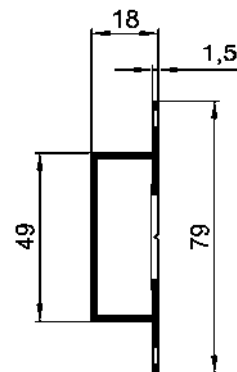
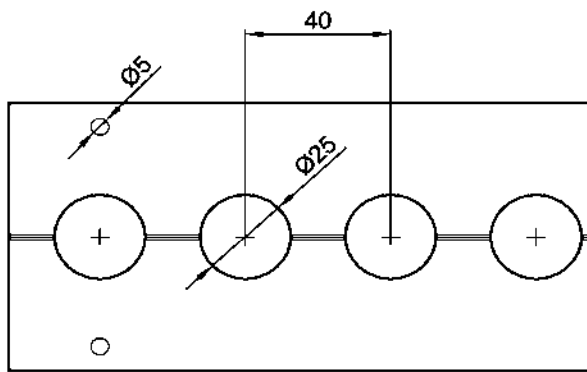
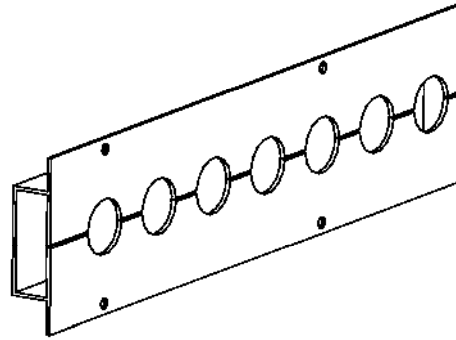
272-25-021

272-25-033

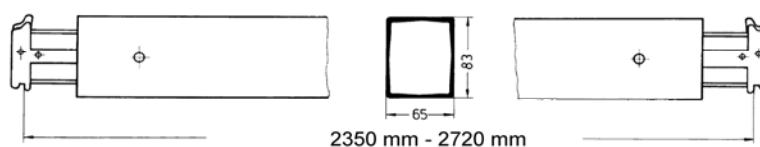
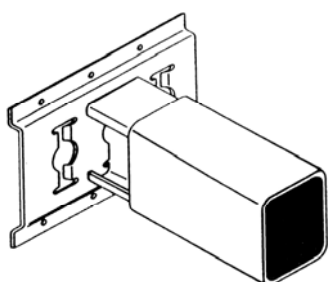


272-34-043

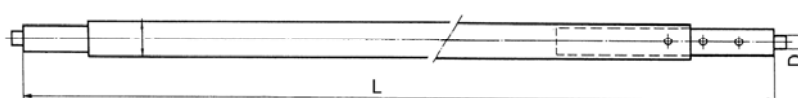
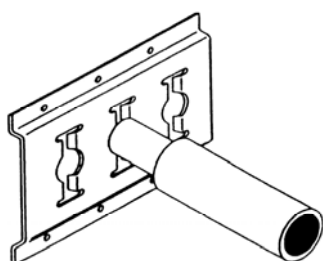
CODE	DESCRIPTION	LENGTH mm	SURFACE	WEIGHT
272-25-013	rail with round holes - Ø25	3000	zinc plated	3
272-25-021	profiles type stop loaders - Ø25	3000	nature	2,4
272-25-033	profiles type stop loaders - Ø25	3000	zinc plated	7,2
272-34-043	type clothes stand profiles - Ø34	3000	zinc plated	6



CODE	DESCRIPTION	LENGTH mm	SURFACE	WEIGHT
272-25-031	rail with round holes - plunger producing	3000	elox	3

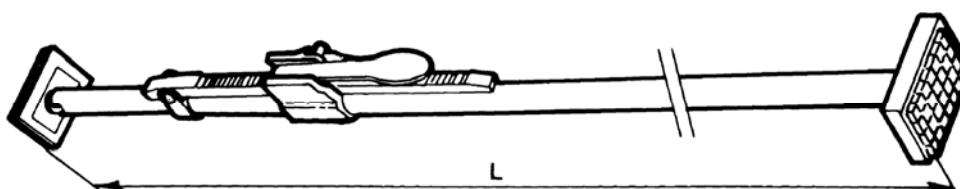


273-8365-011



273-24-023

273-19-033



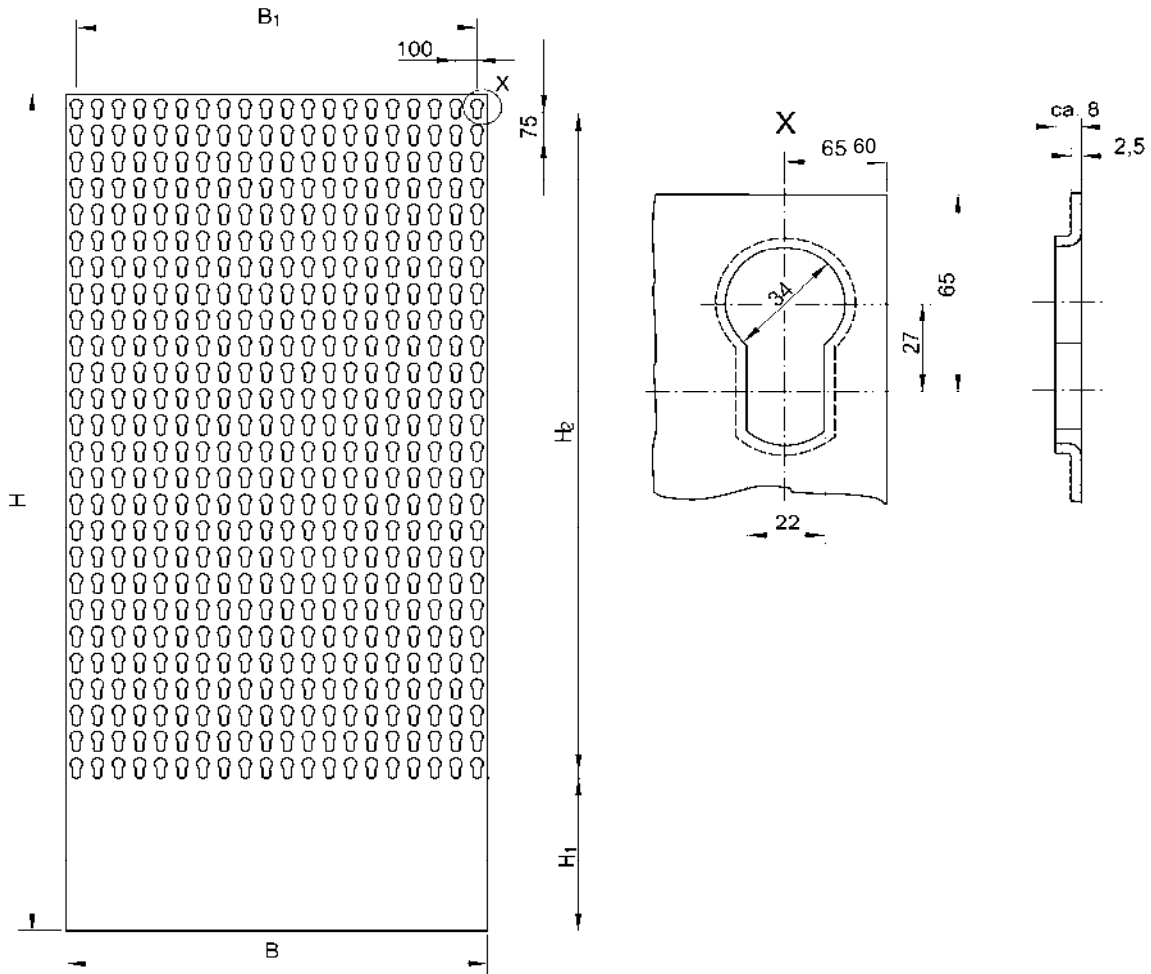
273-38-041

273-42-051

CODE	DESCRIPTION	L (mm)	SURFACE	WEIGHT
273-8365-011	Al. bar for back up box - carrying 1000kg	2350 - 2720	nature	10
273-24-023	Telescopic bar with \varnothing 24 mm end	2360 - 2760	zinc plated	9
273-19-033	Telescopic bar with \varnothing 19 mm end	2000 - 2400	zinc plated	8
273-38-041	Aluminum bar with stand \varnothing 38	2350 - 2720	nature	5,5
273-42-051	Aluminum bar with stand \varnothing 42	2100 - 2470	nature	5,8

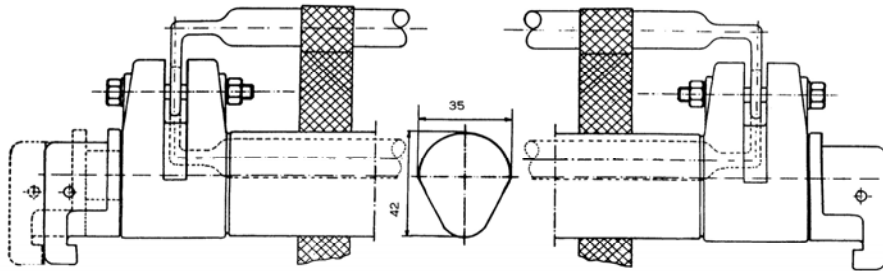
8.33.1

CARGO RESTRAINT WALL AND BARS



Measure in the table can be changed, in this casual must be consult with maker

CODE	DESCRIPTION	Lv mm	H mm	B mm	H1 mm	H2	WEIGHT
5153-K2500	Cargo restraint wall - aluminum	2,5	2500	1200	260	2160	20
5153-K2500-3	Cargo restraint wall - steel	1,5	2500	1200	260	2160	35



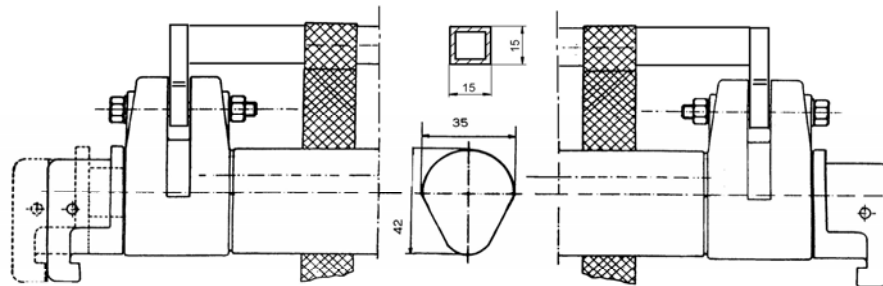
274-2340-13

27-2414-13

274-2440-13

274-2440-13

27-2420-13



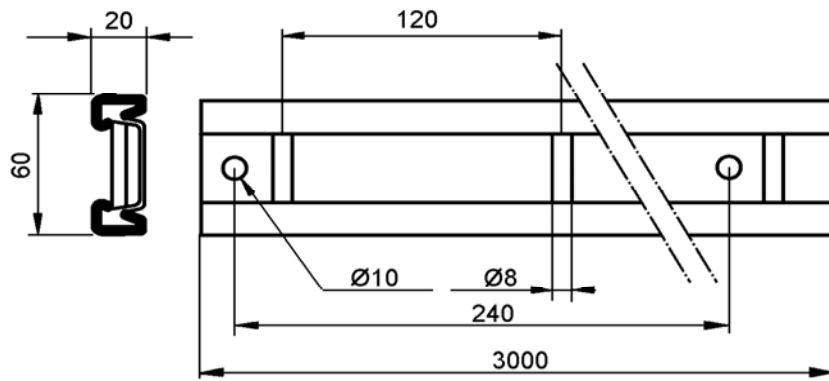
274-2500-13

CODE	DESCRIPTION	LENGTH (mm)	SURFACE	WEIGHT
274-2340-13	clothing transport bar with hanger stop - hooked end	2340	zinc plated	7,5
274-2440-13	clothing transport bar with hanger stop - hooked end	2400	zinc plated	7,7
274-2414-013	clothing transport bar with hanger stop - hooked end	2414	zinc plated	7,8
274-2420-013	clothing transport bar with hanger stop - hooked end	2420	zinc plated	7,9
274-2440-13	clothing transport bar with hanger stop - hooked end	2440	zinc plated	8
274-2500-13	clothing transport bar with hanger stop - hooked end	2500-ig	zinc plated	8,5

8.35

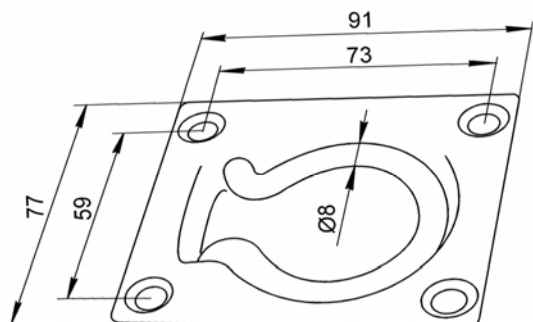
CARGO RESTRAINT RAIL

EUROWIND

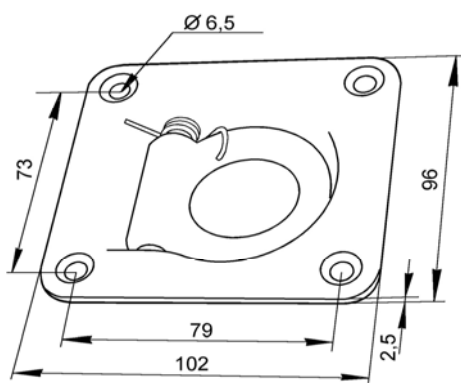


272-8-011

CODE	DESCRIPTION	LENGTH mm	SURFACE	WEIGHT
272-8-011	Cargo restraint rail- external	3000	nature	3,3



275-91-014



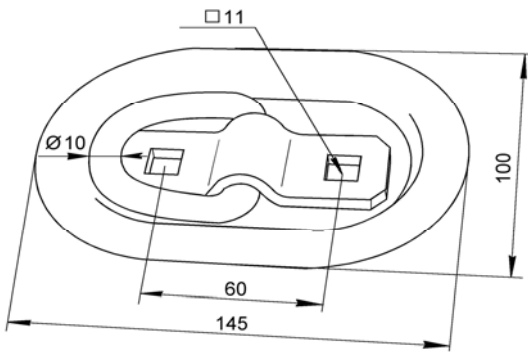
275-96-013



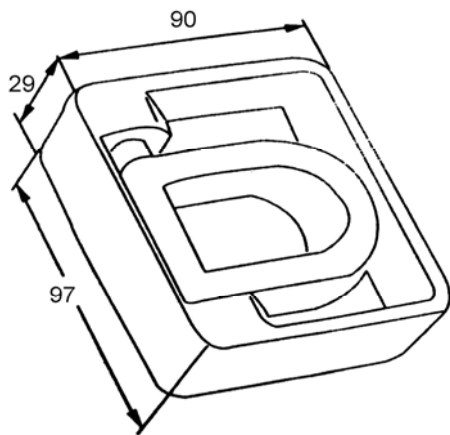
CODE	DESCRIPTION	SURFACE	WEIGHT
275-91-014	recessed lashing ring	inox	0,2
275-96-013	recessed lashing ring with spring	zinc plated	0,375

8.37

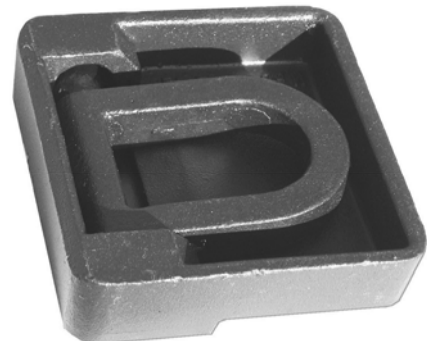
RECESSED LASHING RING



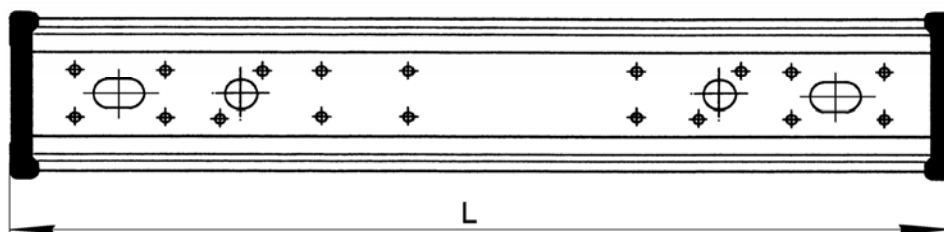
275-145-103



275-90-104

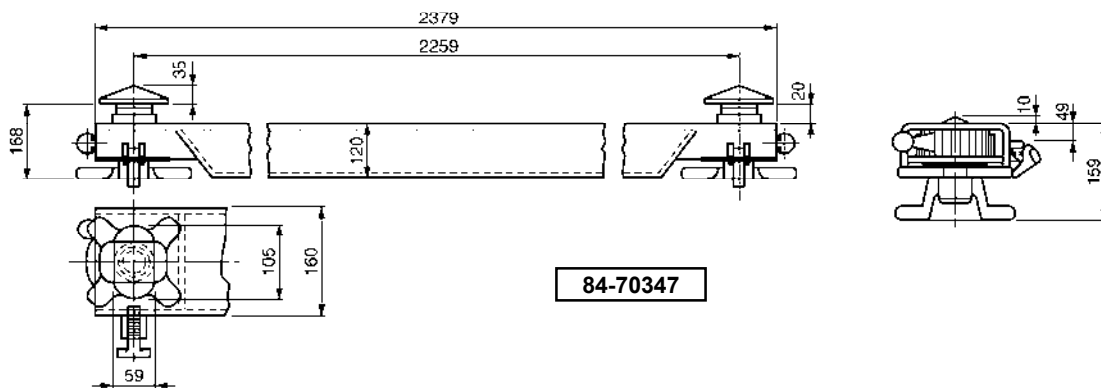
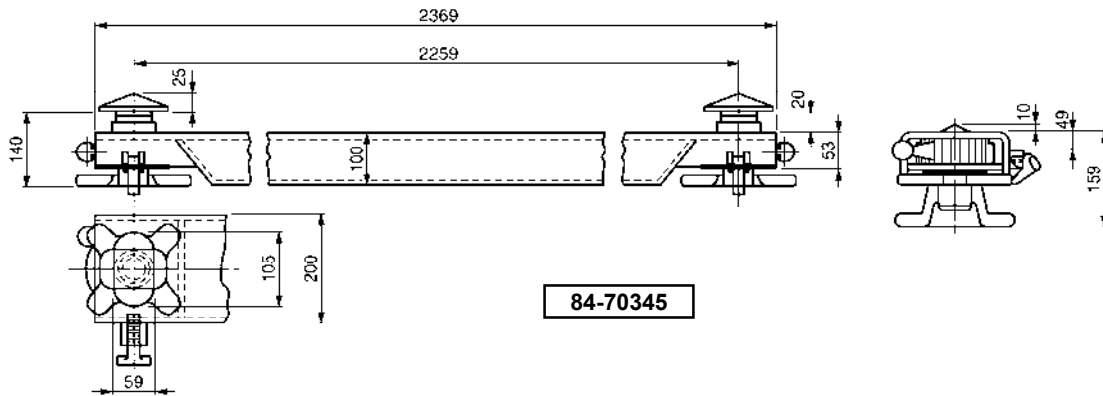
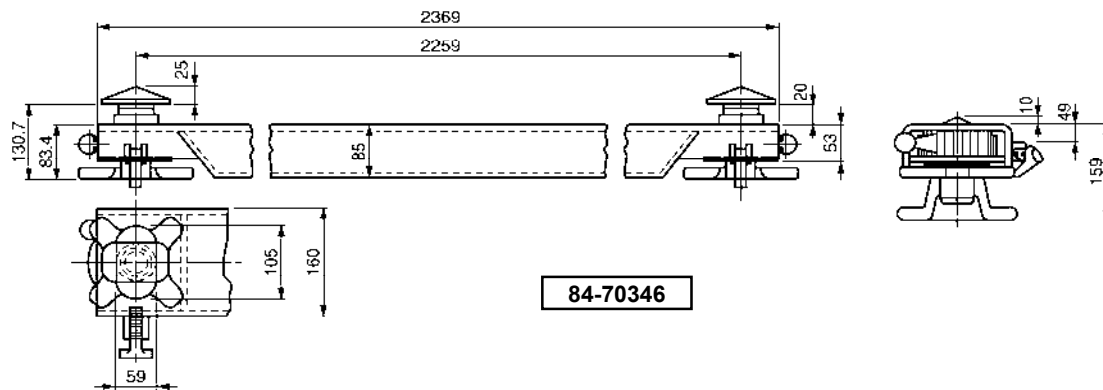


CODE	DESCRIPTION	SURFACE	WEIGHT
275-145-103	275-145-113 for plated lashing ring -lug	zinc plated	0,46
	275-145-123 for plated lashing ring -ring	zinc plated	
	275-145-133 for plated lashing ring - plate	zinc plated	
275-90-105	steel lashing ring	painted	1,15

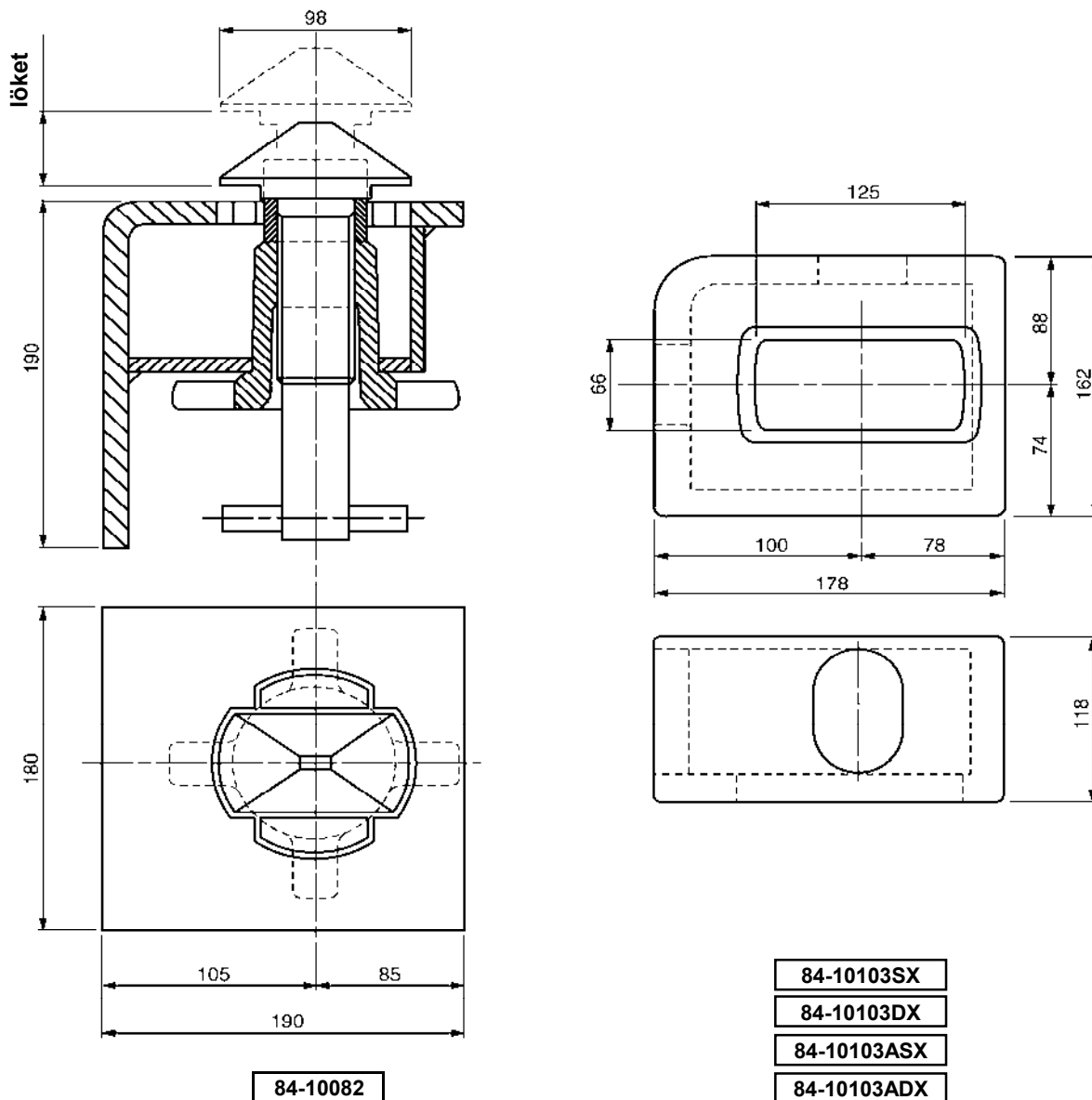


26-0000-017

CODE	DESCRIPTION	SURFACE	WEIGHT-kg	L
26-1800-105	rear beam	nature	9,5	1800 mm
26-1800-205	rear beam	painted	9,5	1800 mm
26-1900-105	rear beam	painted	10	1900 mm
26-2000-105	rear beam	nature	10,4	2000 mm
26-2200-205	rear beam	painted	10,4	2000 mm
26-2100-105	rear beam	nature	10,9	2100 mm
26-2100-205	rear beam	painted	10,9	2100 mm
26-2200-105	rear beam	nature	11,6	2200 mm
26-2200-205	rear beam	painted	11,6	2200 mm
26-2300-105	rear beam	painted	12,3	2300 mm
26-2400-105	rear beam	nature	13	2400 mm
26-2400-205	rear beam	painted	13	2400 mm
26-0000-017	PVC plug	nature		2400 mm



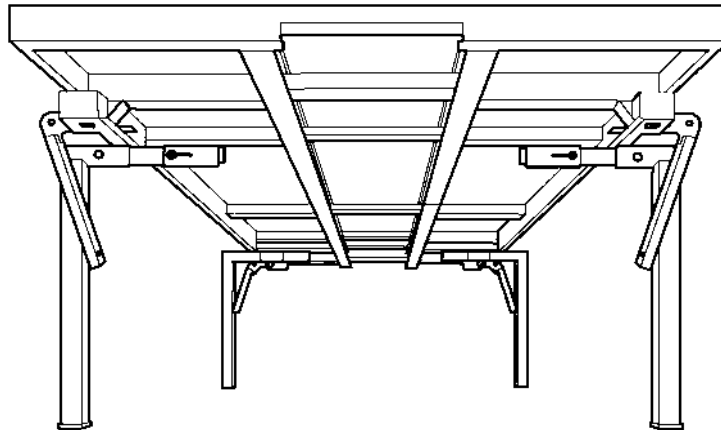
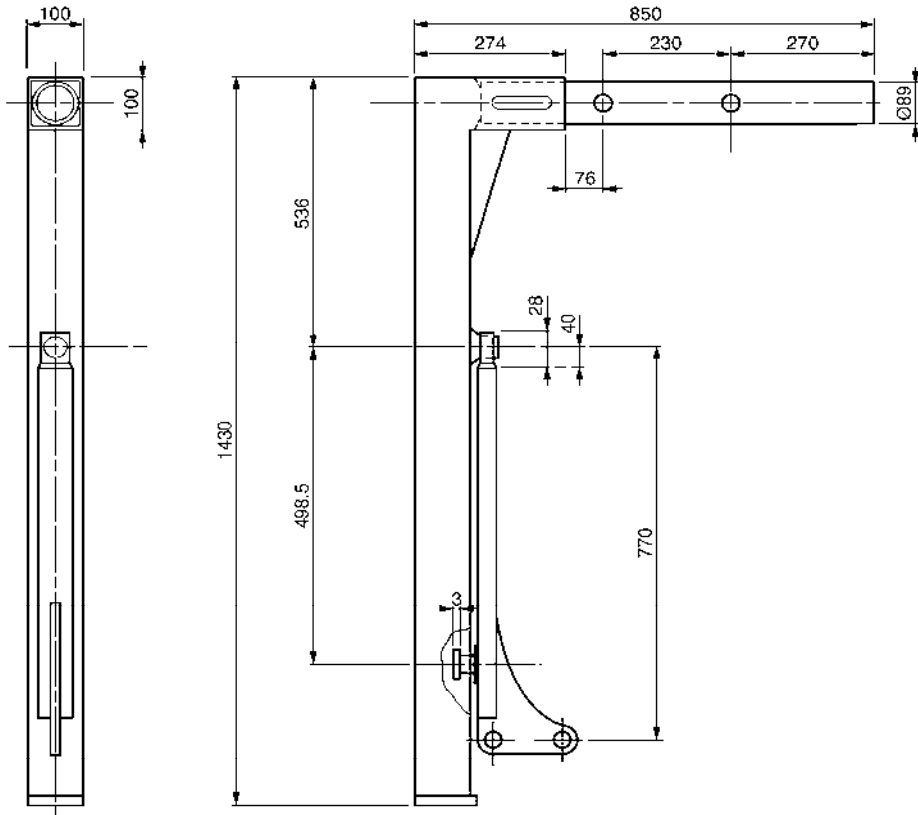
CODE	DESCRIPTION	SURFACE	WEIGHT
84-70346	crosspiece H85 with twist lock 18 ton.	nature	75
84-70345	crosspiece H100 with twist lock 18 ton.	nature	80
84-70347	crosspiece H120 with twist lock 32 ton.	nature	89



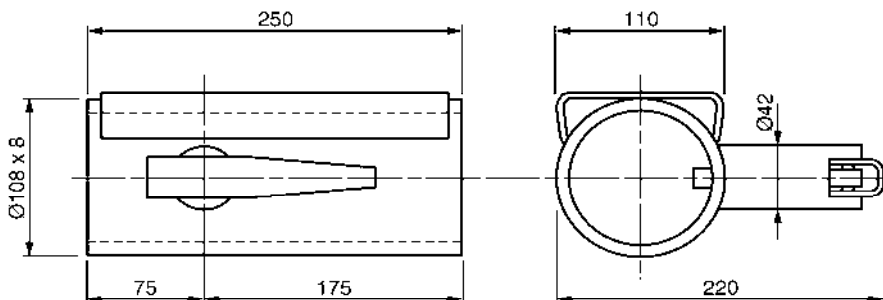
CODE	DESCRIPTION	SURFACE	WEIGHT
84-10082	Set for latching - bottom part	nature	12
84-10103SX	Accept - left top - mould	nature	12
84-10103DX	Accept - right top - mould	nature	12
84-10103ASX	Accept - left bottom - mould	nature	11
84-10103ADX	Accept - right bottom - mould	nature	11

8.39.2

FITTINGS FOR REMOVABLE BODIES

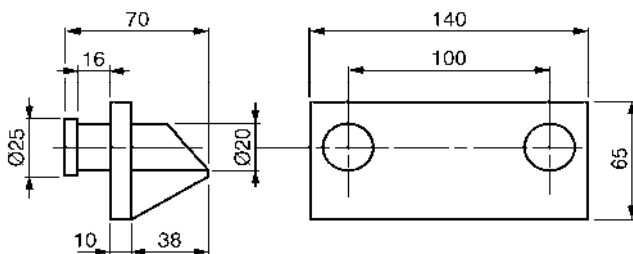


CODE	DESCRIPTION	SURFACE	WEIGHT
84-70220-10	brace for removable body	nature	39

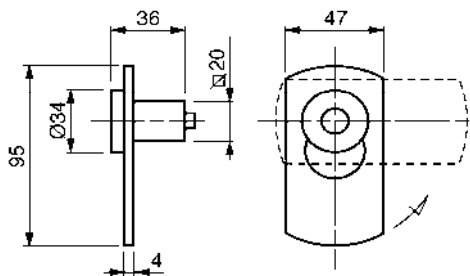


84-70222SX10

84-70222DX10



84-70224-10



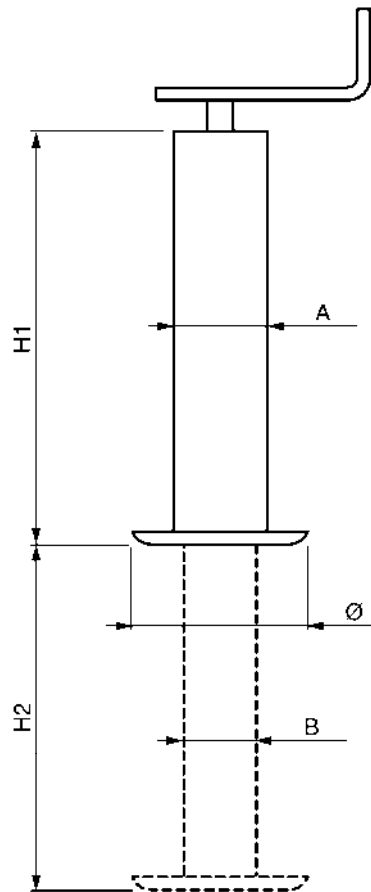
84-70225-10

CODE	DESCRIPTION	SURFACE	WEIGHT
84-70222SX10	support for brace - left	nature	7,4
84-70222DX10	support for brace - right	nature	7,4
84-70224-10	strike for brace	nature	1,06
84-70225-10	security plate for brace	nature	0,23

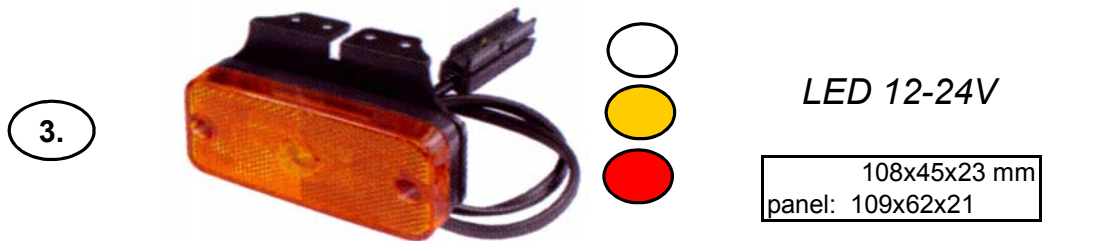
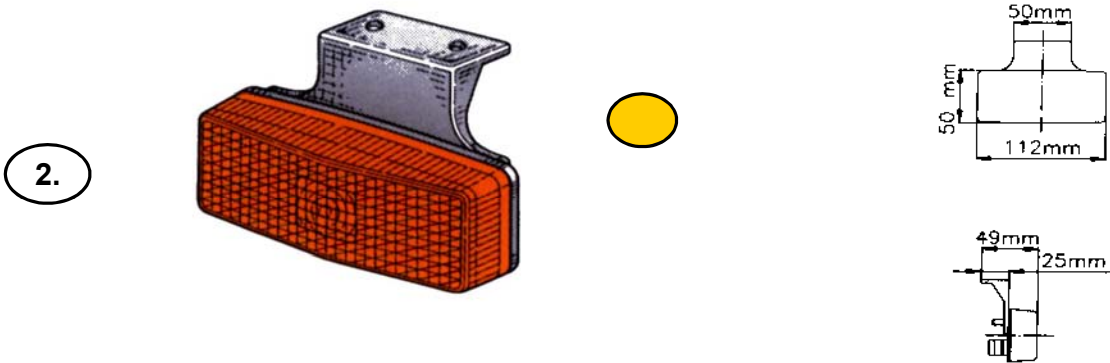
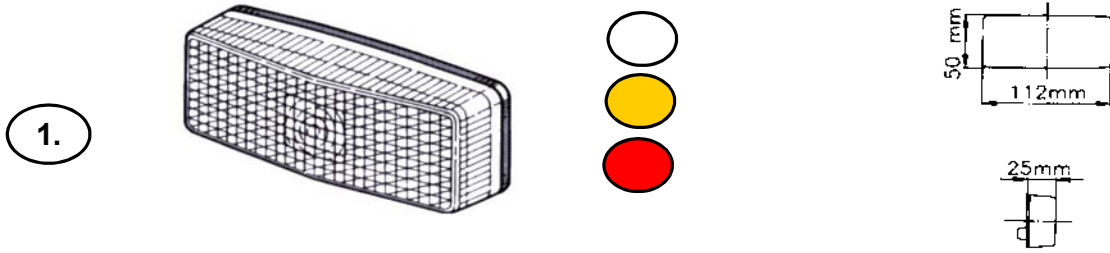
8.40

MECHANICAL STAND

EUROWIND



CODE	DESCRIPTION	A	B	H1	H2	Ø	TONNAGE	WEIGHT
84-70334	Mechanical stand	40x40	30x30	380	270	115	400kg	2,3
84-70335	Mechanical stand	50x50	40x40	480	270	153	500kg	4,4
84-70336	Mechanical stand	60x60	50x50	480	270	153	700kg	6,1
84-70051	Mechanical stand	70x70	60x60	580	270	153	800kg	8,2



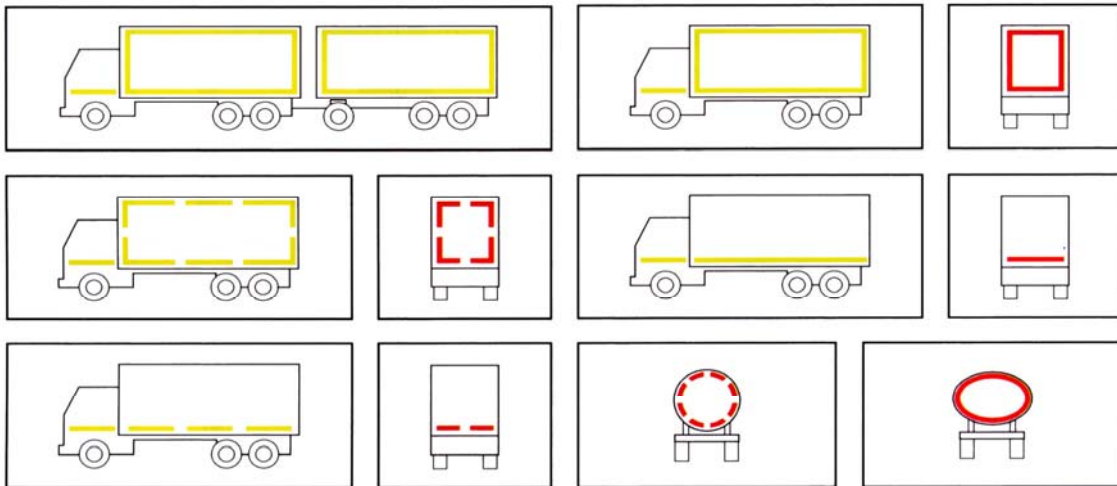
	CODE	DESCRIPTION	WEIGHT	color
1.	95-35490000	Clearance light with angular base	0,04	
	95-35492000	Clearance light with angular base	0,04	Yellow
	95-35508000	Clearance light with angular base	0,04	Red
2.	95-35496000	Clearance light with panel	0,06	Yellow
3.	95-35708000	Clearance light with 500 mm cable	0,08	
	95-35706000	Clearance light with 500 mm cable	0,08	Yellow
	95-35710000	Clearance light with 500 mm cable	0,08	Red

8.42

REFLECTING PANELS

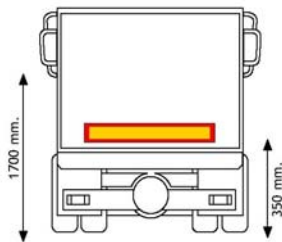
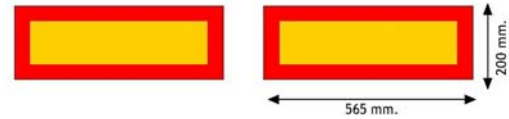
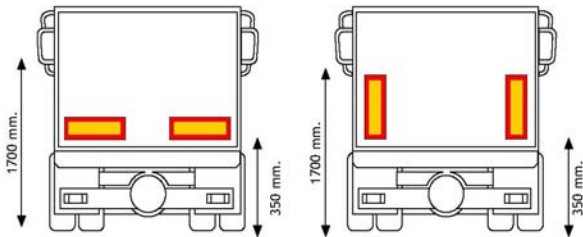
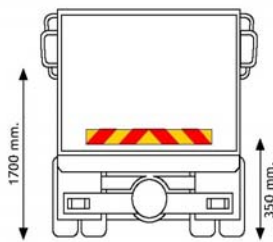
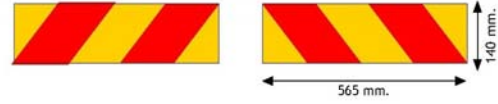
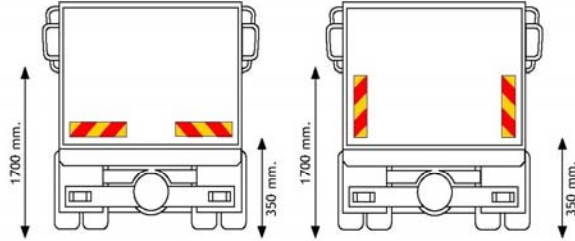


Corresponding with UN ECE 104 standard



CODE	DESCRIPTION	color
901-7607000	Reflecting panel 50mm x 50m	
901-7607200	Reflecting panel 50mm x 50m	Yellow
901-7607400	Reflecting panel 50mm x 50m	Red

Corresponding with UN ECE 70.01 standard



CODE	DESCRIPTION	color
901-40011	Reflecting panel 565 x 140	
901-40001	Reflecting panel 1140 x 140	
901-40041	Reflecting panel 565 x 140	
901-40031	Reflecting panel 1140 x 140	