

Stellar® Service Cranes and TMAX™ Service Bodies

5521



TECHNICAL SPECIFICATION GUIDE



Our People. Our Products.

STELLAR® 5521 TECHNICAL SPECIFICATION GUIDE

SPECIFICATION INFORMATION

Crane Rating:	29,500 ft-lb (4.1 ton-m)*
Standard Boom Length:	11' 0" (3.35 m) from CL of Crane
Boom Extension:	
• 1st stage:	Hydraulic 60" (152.4 cm)
• 2nd stage:	Hydraulic 60" (152.4 cm) Manual 60" (optional)
Max. Horizontal Reach:	21' 0" (6.40 m) from CL of Crane
Max. Vertical Lift: (from crane base)	22' 11" (6.99 m)
Boom Elevation:	-10° to +80°
Stowed Height: (crane only)	33" (83.8 cm)
Mounting Space Required:	20" x 21" (50.8 x 53.3 cm)
Approximate Crane Weight:	5521 (electric) 2H: 1,480 lbs (671 kg) 1H1M: 1,365 lbs (630 kg)
	5521 (hydraulic) 2H: 1,390 lbs (631 kg) 1H1M: 1,275 lbs (578 kg))
Controls:	Radio control standard for all functions
Winch	
• Rope Diameter:	5/16" (.794 cm)
• Line Pull Speed:	70 ft/min (21.34 m/min)
• Max. Single Part Line:	2500 lbs (1135 kg)
• Max. Double Part Line:	5000 lbs (2268 kg)
Rotation:	400° power (worm gear)
Lifting Capacities:	5000 lbs @ 5' 10" (2268 kg @ 1.78 m)** 1400 lbs @ 21' (635 kg @ 6.40 m)**
Power Supply Required:	PTO & Pump 8.0 gpm @ 2500 psi (30.31 lpm @ 173 bar)
Min. Rec. Chassis (GVRW)	16,000

NOTE: All Stellar cranes meet ANSI B30.5 and OSHA 1910.180 specifications. Specifications subject to change without notification.

*Crane rating in Boost Mode. Normal crane rating is 25,000 ft-lbs (3.46 ton-m)

**Maximum capacities in Boost Mode.

DEFINING CHARACTERISTICS

Stellar® CDT™ (Crane Dynamics Technology™)

Standard on 5521 proportional hydraulic crane, the Stellar CDT control system is revolutionary to the telescopic service crane market and EXCLUSIVE TO STELLAR. This system features capacity alert to the handheld crane remote and also features a Safe Mode to keep the crane and operator safe should a load indicating device fail to operate correctly.

Full Hydraulic Extension

The 5521 crane offers an optional boom configuration of two hydraulic boom extensions. The 5521 crane come standard with a one hydraulic, one manual boom configuration.

Market Leading Boom Articulation

The Stellar 5521 crane offers -10 degrees to +80 degrees. This gives the operator both easy reach to snatch block stowing and the best ability to load items into the load bed.

Quick Release Snatch Block Stow

The Stellar quick release snatch block stow, is installed on the underside of the boom to easily stow your snatch block after use. Its unique design gently releases the snatch block for use when the boom is raised at close to 60 degrees to ensure a safe and orderly deployment.

Planetary Winch

The planetary winch on every crane manufactured by Stellar was designed to match the capacity and hydraulic control system. It lifts the maximum crane load and offers the smoothest and fastest speeds in the market today to help keep your productivity at max levels.

Strong Rotation System

Stellar uses a durable rotation system with a cast iron base and an internal mechanical stop to provide the most durable rotation system found in the industry.

Counterbalance Valves

Each cylinder on the Stellar 5521 crane feature counterbalance valves to prevent unintended cylinder movement should a hose break.

Greaseable Pivot Bushings

Each pivot pin location on the 5521 crane includes bushings and grease zerks to provide for years of use.

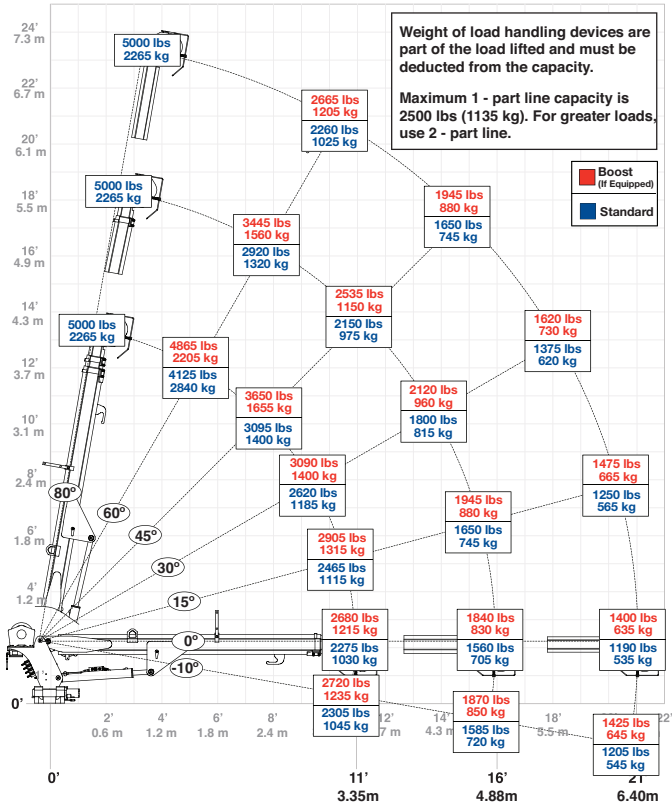
Hexagonal Booms

Stellar Industries made the hexagonal boom design famous in the telescopic service crane market. This design provides for a stronger and better aligning boom than competitive square boom design.

Bar Style Anti-Two Block

The 5521 crane is equipped with a low profile bar style anti-two block system that allows for easy access to the tightest lifting locations.

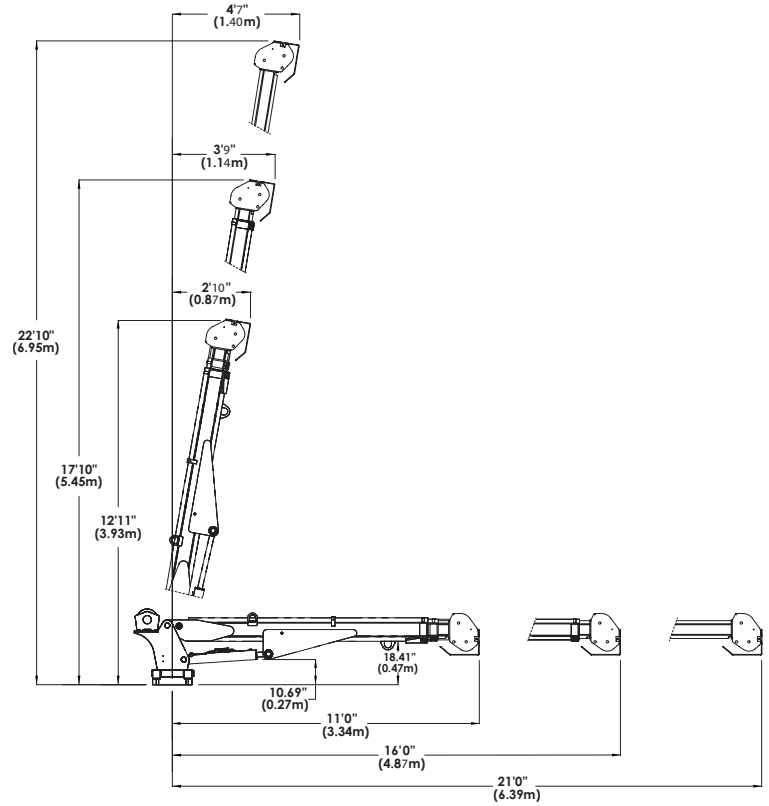
5521 CAPACITY CHART



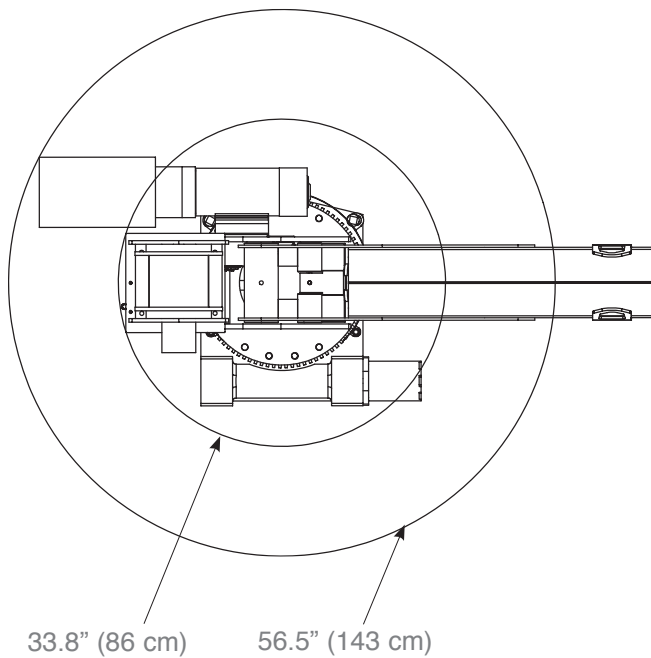
Weight of load handling devices are part of the load lifted and must be deducted from the capacity.

Maximum 1-part line capacity is 2500 lbs. (1130 kg). For greater loads, use 2-part line.

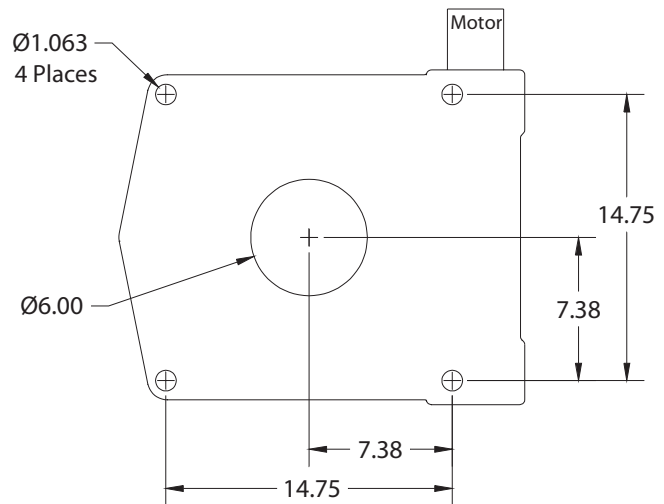
GEOMETRIC DIMENSIONS



ROTATIONAL CLEARANCE



HOLE MOUNTING DETAIL



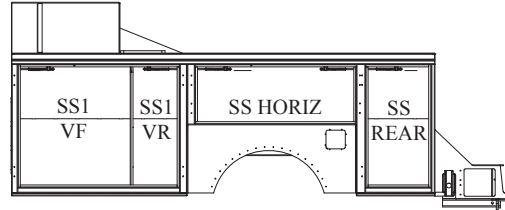
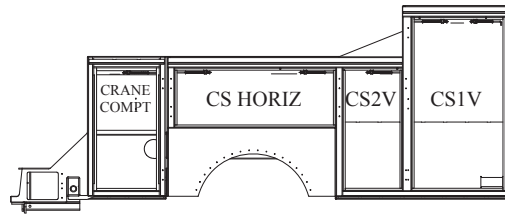
NEW TMAX™ Service Bodies

TMAX1™ Service Body

Applicable Chassis: 16,000 – 19,500 GVWR
(19.5 tire size)

Compatible Crane Models: 3315
4421
5521
6521
7621
7630

Cab to Axle: 84" (213.36 cm)
Body Length Nominal: 133" (337.82 cm)
Body Height: 44" (111.76 cm)
Body Width: 94" (238.76 cm)
Compartment Depth: 22" (55.88 cm)
Floor Width: 50" (127 cm)
Net Weight: 3220 lbs (1460.37 kg)



Your local distributor:



Our People. Our Products.

190 State Street
P.O. Box 169
Garner, IA 50438
Telephone: (641) 923-3741 • (800) 321-3741
Fax: (641) 923-2812
Internet: www.stellarindustries.com
Email: sales@stellarindustries.com

An Employee Owned Company.
Copyright © 2018 Stellar Industries, Inc.