



EXCETEK

Best Cost Performance V4000G

High Accuracy and Compact space Machine



■ **Honeycomb Frame High Rigidity Machine body**

The machine body is designed by FEA assuring mechanical structure.

■ **Reliable Anneal Dry Break Point Through AWT.**

Using annealing to improve the straightness of wire.

■ **Corrosion-less High Tech. AC Discharge Power supply**

EF generator system which provides cutting performance improved.

■ **Easy Maintenance Modular PCB System.**

Modular PCB system are benefits after service and speedy maintenance.

■ **Easy Operate Touch Screen CNC**

Every information of machining is displayed on touch screen.

High Accuracy & Best Cost Performance

V400G

SPECIFICATIONS

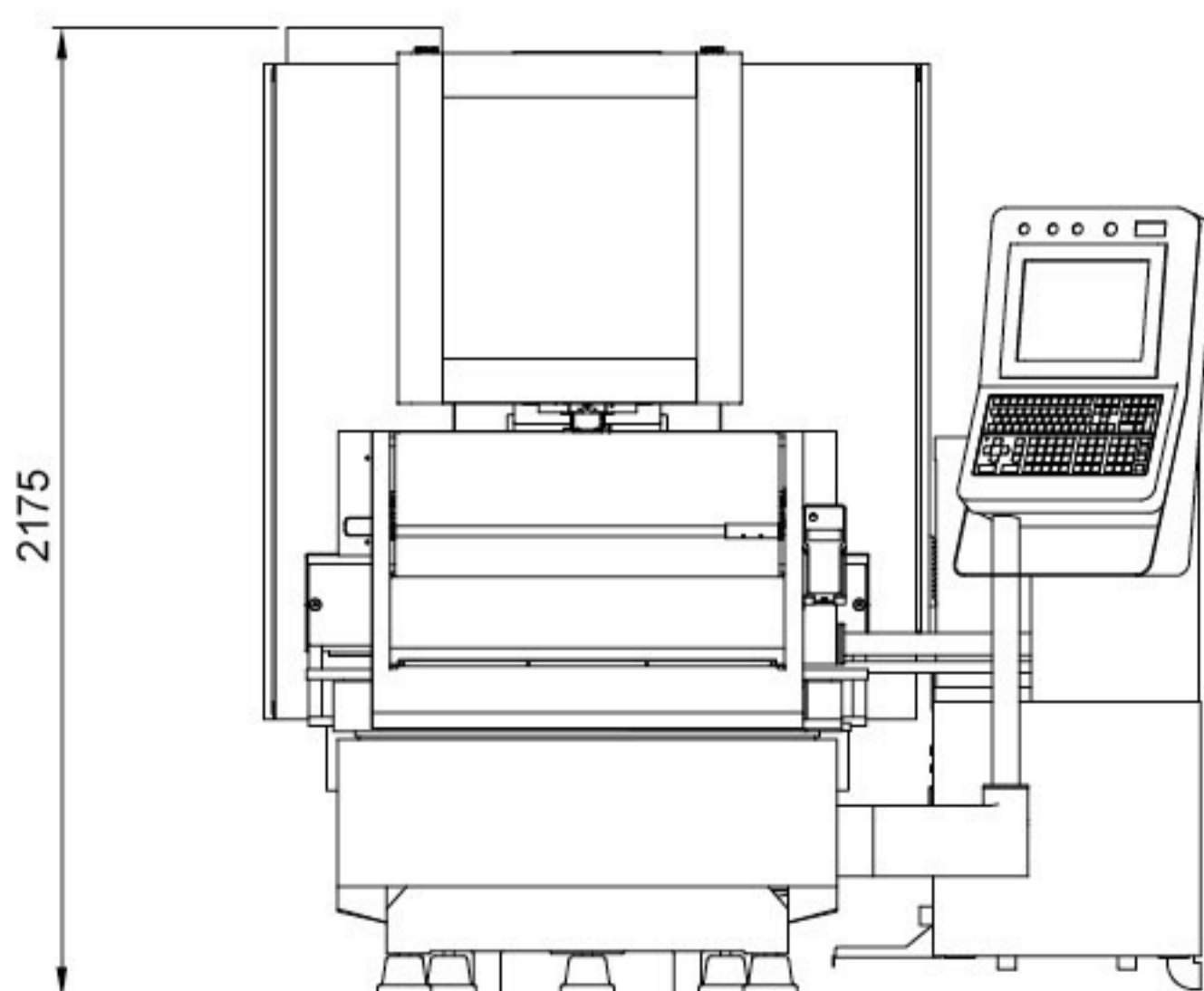
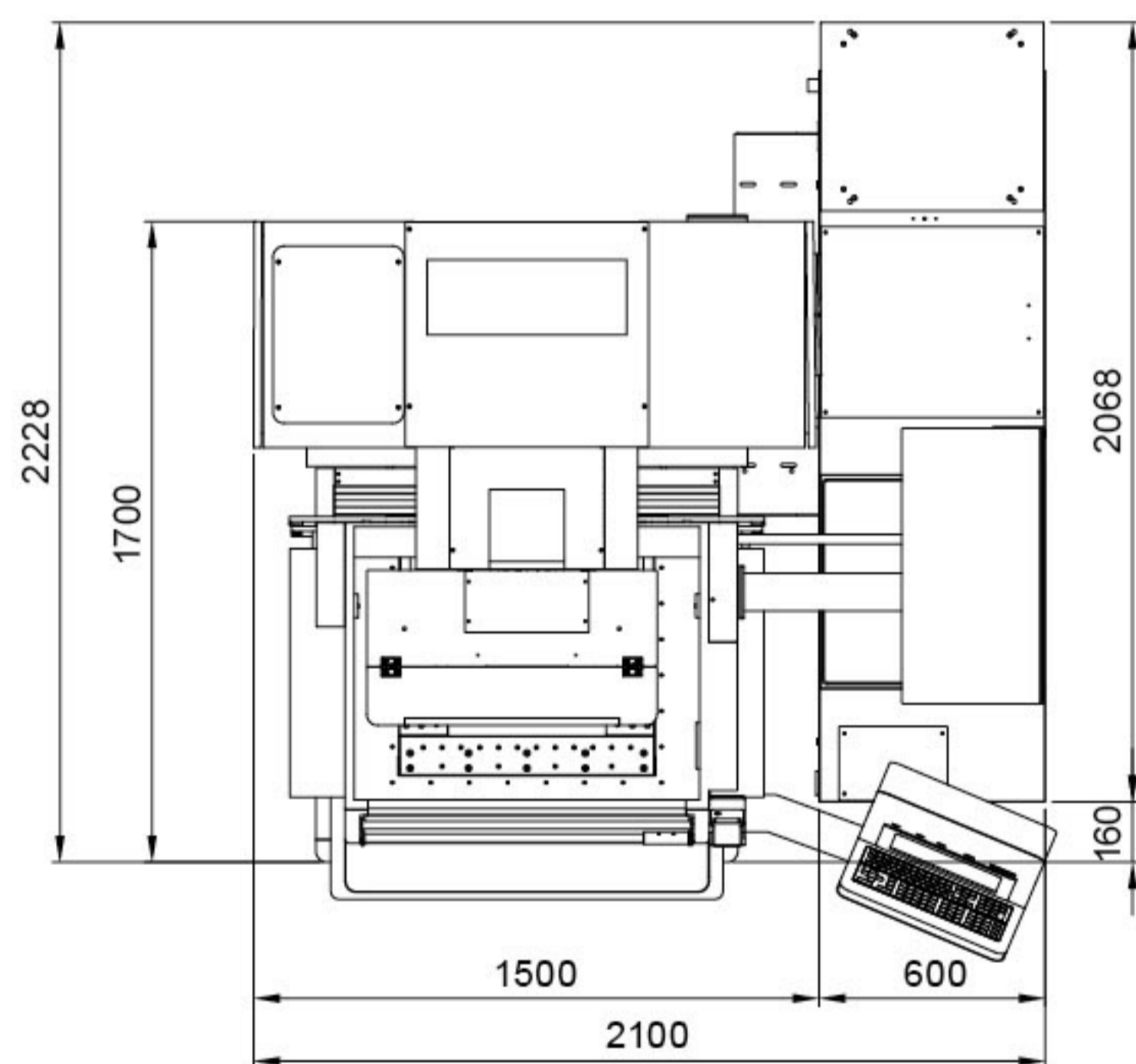
Machine	V400G Submerged Type
Max. Work piece Size	750x550x215 mm
Max. work piece Weight	500kg
Table Travel of X Y Z	400x300x220 mm
U&V Axis Travel	80x80 mm
Wire Diameter	0.15 to 0.3 mm
Max. Taper Angle	±22°/80mm (Wide Diamond Guide And Nozzle)
Number of Axes controlled	5 Axis AC servo motor
Machine Dimensions	2100x2230x2175 mm
Machine Weight	2700 kg
Electric Power Supply	13kVA/ 3Ø 220V±10% (Compressed Air For AWT 6 bar. 5m³/h)

Generator & CNC

Max. Machine Current	25A Use High Speed Switching POWER MOS FET
CPU (CNC)	Pentium 64 bit Memory capacity 1GB CF card
Min. Command unit	0.001 mm

Dielectric Tank

Tank Capacity	650L
Paper Filter	2/pcs
Deionizer	Auto
Chiller Unit	Auto



Standard Accessories

- Ion exchange resin 10L(S)
- Paper filter x 2 pieces
- Diamond guide x 2 pieces
- Upper & Lower Flushing nozzle x 4 pieces
- Power contact x 2 pieces
- Brass Wire Ø0.2 or Ø0.25 5kg x 1 wheel
- Wire alignment jig x 1 piece
- Clamping tool x 1 set

Option

- X Y axis Linear scale
- AWT
- AVR
- City power Transformer
- Jumbo Feeder 50kg

EXCETEK Technologies Co., Ltd.

No.10, Fenggong 3rd Rd., Shengang Dist., Taichung City 42942, Taiwan

Tel:+886-4-2520 0688

Fax:+886-4-2520 0111

<http://www.excetek.com>

e-mail:info@excetek.com.tw

Dealer :