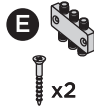
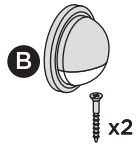
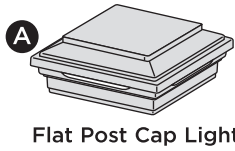
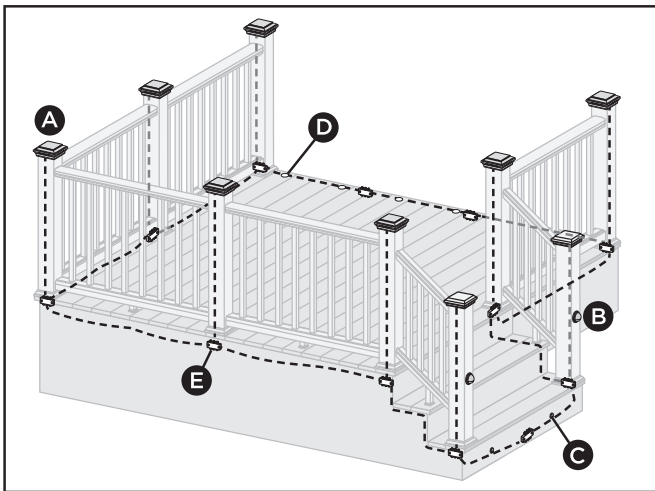


PARTS



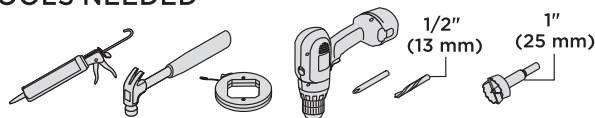
- » 5ft, 10ft, 20ft, 40ft, and 60ft connection/extension wires sold separately (these are male-to-male connection wires).

Lighting and Wiring Overview



**NOTE:** All wiring and splitters are mounted to the inside of framing. Picture above is a general representation of where to place them.

TOOLS NEEDED



**WARNING:**

- » Do not install Decklighting in close proximity to pools or hot tubs, as chemicals from the water can damage lighting fixtures.
- » Do not install wiring under heavy weight or load as this can damage wiring.

**NOTE:** Avoid railing brackets and locations for deck rail lights when running wires up posts.

**NOTE:** It is recommended that you install wiring and splitters before decking and railing have been installed. **DO NOT** run wires between joists and deck boards.

Helpful Tips

- » Please note that Trex lighting operates on DC power. **NEVER** mix AC and DC fixtures on the same circuit. Doing so will result in extremely premature fixture failure and is not covered by the Trex limited warranty. **You must use a Trex transformer on all Trex lighting installations.**
- » **Never fully drive staples when securing wire. Wire should move under staple.**
- » **ALWAYS** protect any wire that is close to the ground with conduit or wire loom to prevent rodent damage.
- » Cap all unused female connections with caps provided or weather-resistant silicone to prevent water damage or corrosion.
- » Each dimmer operates on a separate remote.
- » It is recommended that power source be installed and turned on when installing lights to ensure all components work.
- » When installing wiring, avoid extreme angles, pressure, or tension on the wiring, as this can cause pinching of the wiring and create a lighting failure.

## General Information

- » Refer to [www.trex.com](http://www.trex.com) for instructional videos on how to install Trex DeckLighting.
- » **USE TREX TRANSFORMER ONLY.** Use of any other transformer voids warranty.

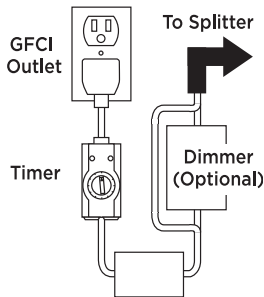
Transformer Capacity by Type		
Type of Light	8.3A Transformer (83 DL TRANSFORMER)	2.5A Transformer (2.5 DL TRANSFORMER)
Riser	79	27
Recessed	79	27
Post Cap	79	27
Deck Rail	79	27

Above listing is for maximum number of each individual light fixture type. For mixing and matching requirements, visit [Trex.com](http://Trex.com) and use the interactive Lighting Transformer Calculator (located on the Trex® Decklighting™ product page).

## Planning

**NOTE:** When designing your deck, plan locations of lights, power supply, timer, and dimmer. These should be accessible for service. Installing a GFCI outlet is **REQUIRED** to help prevent damage to lighting from electrical surges.

1. The dimmer remote will work in a 30' (9 m) radius of the unit.
2. Dimmer should be installed in a dry location.
3. Timer must be installed vertically with receptacle facing downwards. Timer must be at least 1' (.305 m) from ground level when installed as per federal safety code height regulations. Timer must be in view of the sun to use the dusk/dawn feature.

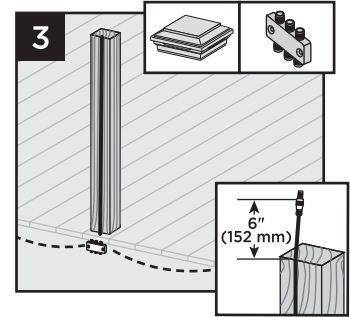
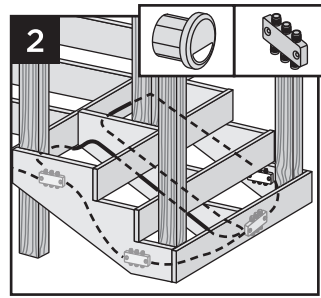
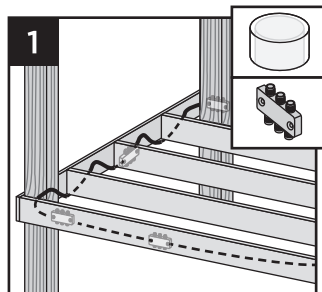


## Installing Wiring

### NOTES:

- » It is recommended to install wiring and splitters before decking and railing have been installed.
- » Use male-to-male connection wire (lengths vary) that will connect to each required splitter.

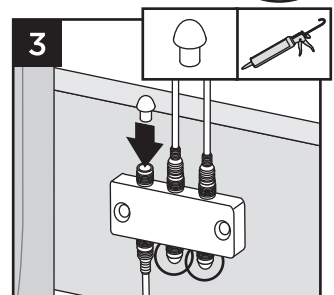
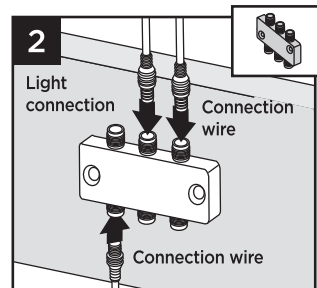
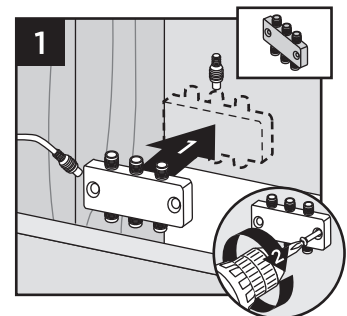
1. Wiring must be run under decking structure and behind stringers. **DO NOT** run wires between deck boards and joists. Staple to frame with cable staples at least 1/4" (6 mm) wide. **DO NOT** crush wire insulation with staples.



2. Wiring can be run under deck and behind risers. Staple to frame with cable staples at least 1/4" (6 mm) wide. **DO NOT** crush wire insulation with staples.
3. Remove 5' (1.52 m) lead wire that is connected to post cap and attach wire to post with male connection at top of post (female connection would be at bottom of post and connect into splitter). Avoid running wire on side of post where railing brackets or deck rail lights will be installed. Leave approximately 6" (152 mm) of lead at top to make connections. Staple to frame and posts with cable staples at least 1/4" (6 mm) wide. **DO NOT** crush wire insulation with staples.

## Making Connections

1. Install splitters inside of framing using hardware provided. Install at every post base where lighting is present and depending on spacing in between each riser and recessed light.



2. Attach male lead from lights to female connections on splitter. Also attach male-to-male connection wires in between each splitter. Continue until all wiring from lights are attached to splitters and connector wires are attached in between splitters.
3. Cap off all unused female connections on splitters using caps provided or weather-resistant silicone.

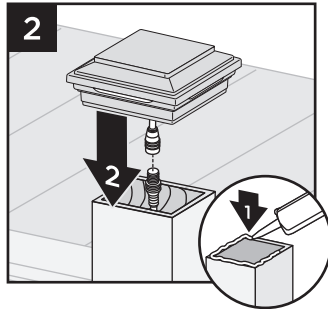
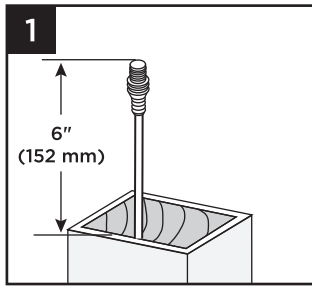
### Timer Operation Instructions

1. Select the mode of operation:
  - » Dusk to Dawn
  - » 2-8 hours
  - » Always "ON"
  - » "OFF"

Program repeats daily. When power is flowing to lights, green light above POWER is on.

### Installing Post Cap Lights

**NOTE:** Install post cap lights after the railing system, post sleeve skirt, and post sleeve have been installed.

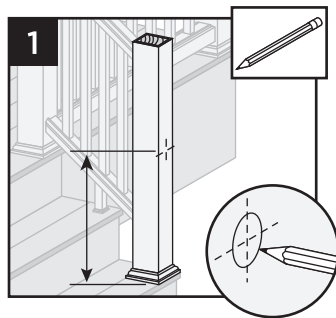


1. Connect male lead from wiring to female connector from cap. Also attach male-to-male connection wires in between each splitter. Continue until all wiring from lights is attached to splitters and connector wires are attached in between splitters. (See *Making Connections* section for details.)
2. After verifying wiring is correct by turning lights on, attach cap to top of post with silicone caulk.

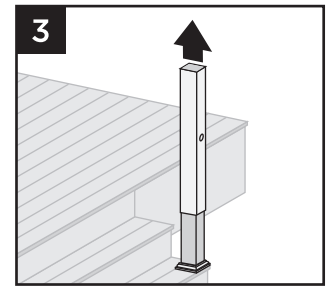
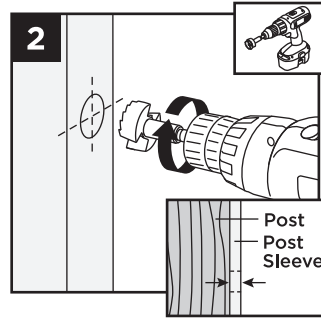
### Installing Deck Rail Lights

**NOTE:** Instructions shown below are for new deck installation and are shown **BEFORE** railing system has been installed.

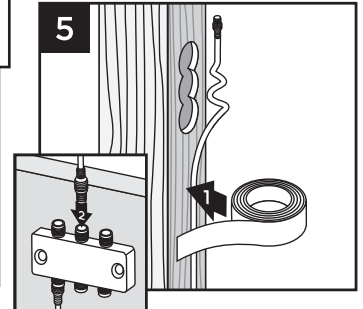
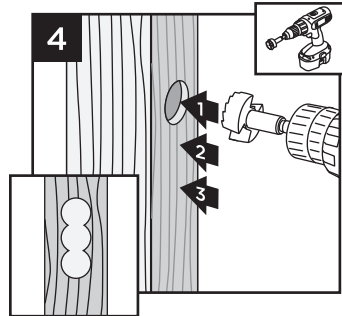
1. Place post sleeve over pressure-treated post and mark desired height, centered on post sleeve for deck rail light location.



**NOTE:** If deck boards are not installed yet, place a deck board on framing to ensure post sleeve is at correct height.

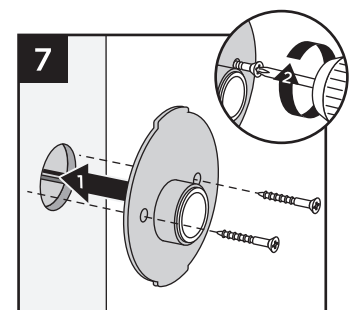
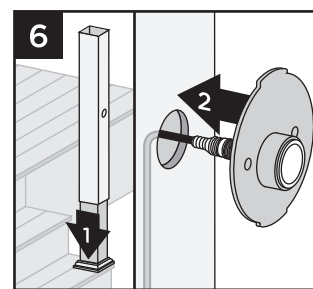


2. Drill a 1" (25 mm) hole through post sleeve. Drill deep enough to mark location on pressure-treated post.
3. Remove the post sleeve from the post.



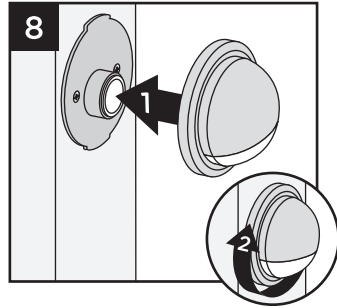
4. Drill out existing hole on pressure-treated post 3/4" (19 mm) deep. Drill two additional holes vertically below main hole—this will allow space for wiring after post sleeve is attached.
5. Leave enough slack at top of lead wire and attach lead wire to post using heavy duty tape. Attach lead wire to splitter under decking.

**TIP:** To hold lead wire in place at drilled-out location, use painters tape.



6. Slide post sleeve back over post. If using a post sleeve skirt, make sure to install the skirt first. Connect plug on deck rail light to lead wire and tuck wiring into previously drilled-out pockets on post.
7. Align holes for screws horizontally and attach fixture base to post with provided screws.

8. Line up polycarbonate lens with fixture housing. Twist onto fixture base. Continue until all wiring from lights is attached to splitters and connector wires are attached in between splitters. (See *Making Connections* section for details.)

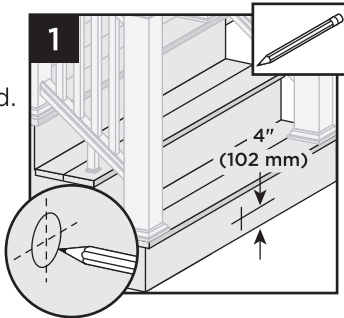


**NOTE:** If railing has already been installed, lead wires will need to be fished through the post sleeve to reach the desired location for the deck rail light. In some cases, if the provided lead wire does not fit (due to connector size), the wire connectors can be cut off and wire nuts can be used. Test lights with the power on. If lights that are wired with this method do not function, then switch the connector wires.

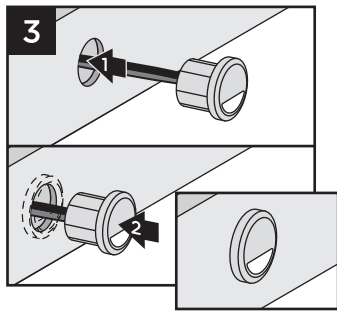
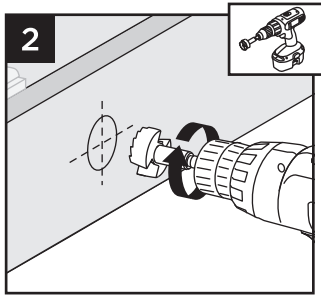
### Installing Riser Lights

**NOTE:** Install riser lights after stairs and risers have been installed.

1. Mark locations for each light, generally 4" (102 mm) above tread. Consult local codes for lighting requirements.



**NOTE:** If possible, avoid locations over stringers as holes will be more difficult to create.



2. Drill a 1" (25 mm) diameter hole at least 1" (25 mm) deep into riser. If riser material is thicker than 1" (25 mm), use a 1/2" (13 mm) drill bit to create a passage for wires.
3. Thread wires through hole. Press light into hole, ensuring lens is horizontal. Make connections behind stairs from male lead wire from recessed light into female connection on splitter. Also, attach male-to-male connection wires in between each splitter.

Continue until all wiring from lights is attached to splitters and connector wires are attached in between splitters. (See *Making Connections* section for details.)

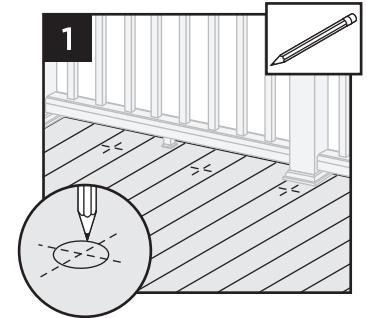
**NOTE: DO NOT** install riser light or deck rail light into top or bottom rails or balusters.

### Installing Recessed Deck Lights

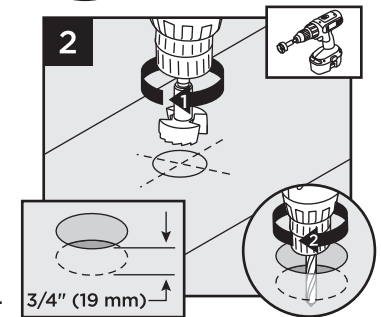
**NOTE:** Install recessed deck lights after installing decking.

1. Mark locations for lights in deck boards.

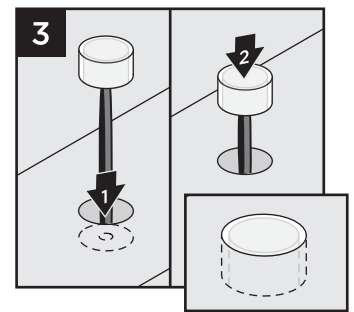
**NOTE:** If possible, avoid locations over joists as holes will be more difficult to create.

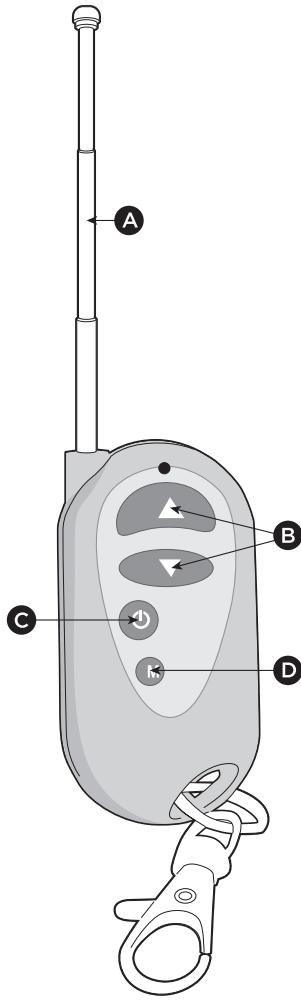


2. Drill a 1" (25 mm) diameter hole 3/4" (19 mm) deep into deck board. Hole cannot go all the way through deckboard or light will fall through. Make sure drill bit is perpendicular to board. Drill a 1/2" (13 mm) diameter hole in base of the first hole through deck board.



3. Thread wires through hole. **DO NOT** pull LED into hole by pulling on wires. This may damage wires or LED. Press light into hole until flush with surface. Make connections under deck from male lead wire from riser light into female connection on splitter. Also attach male-to-male connection wires in between each splitter. Continue until all wiring from lights is attached to splitters and connector wires are attached in between splitters. (See *Making Connections* section for details.)

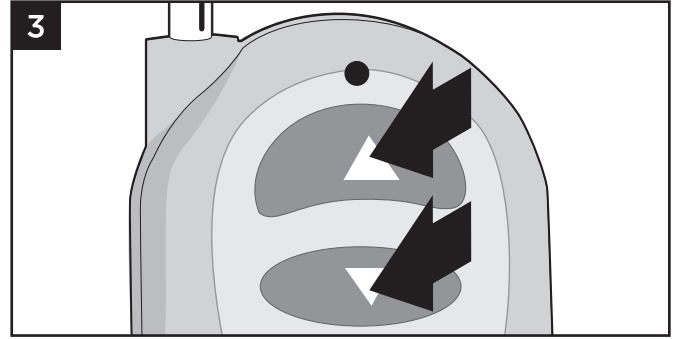
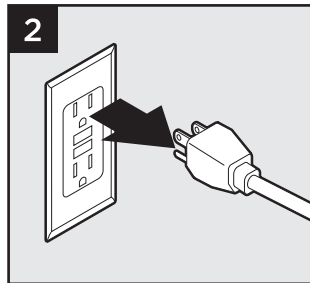




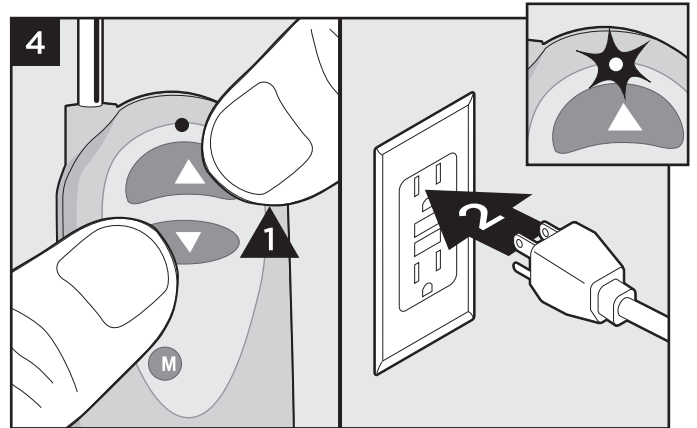
- A. **ALWAYS** keep antenna fully extended for maximum range.
- B. Up/Down arrows gradually dim or brighten lighting.
- C. On/Off button cycles lights ON/OFF.
- D. Mode button cycles through 3 preset dimming levels: High, Medium, Low, and Off.

**NOTE:** First, make sure the red light is illuminated on the remote. If there is no red light and the product is new, contact 1-800 BUY-TREX for a replacement. If the product is not new, the A27 battery is replaceable.

1. Install dimmer per instructions and make sure lights are ON and working properly.
2. Unplug the transformer to turn lights OFF.



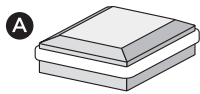
3. Press and hold both the up and down arrow on the dimmer remote simultaneously.



4. With the dimmer arrow buttons held down, plug the transformer back in. The lights should blink once to confirm programming.
5. Release the up and down arrows on the remote and test remote to confirm proper operation.



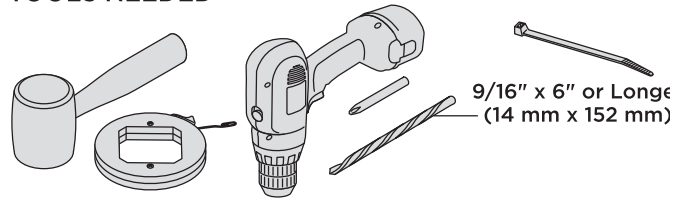
## PARTS



**Post Cap Light**  
(includes 5ft male-to-male wire)

- » 5ft, 10ft, 20ft, 40ft, and 60ft connection/extension wires sold separately (these are male-to-male connection wires).

## TOOLS NEEDED



9/16" x 6" or Longer  
(14 mm x 152 mm)

## Helpful Tips

- » Leave slack in wire to make fixture terminations.
- » Post lamps work well at changes in levels of a deck—at the top or the bottom of the stairs, or in conjunction with post cap lights.
- » Splitters should be used at each post that has lights and depending on spacing in between each riser and recessed light.
- » Cap all unused female connections with caps provided or weather-resistant silicone to prevent water damage or corrosion.
- » The splitter is cross-linked so there is no specified plug for lights versus lead wires.
- » Leads attached to each light are approx. 5.5' (1.67 m) in length and have male terminals to plug into splitter.
- » Use a separate dimmer control for each light type for maximum control.
- » It is recommended to have power source on when installing lights to ensure all components work.

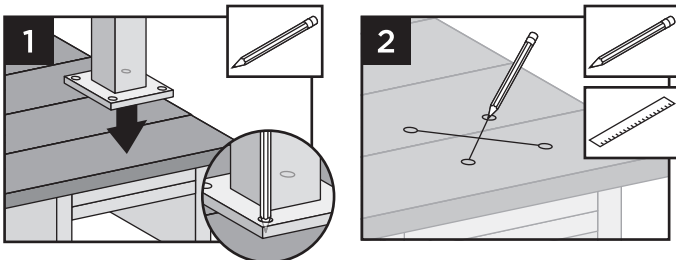
### Transformer Capacity by Type

Type of Light	8.3A Transformer (83 DL TRANSFORMER)	2.5A Transformer (2.5 DL TRANSFORMER)
Signature Post Cap	59	29

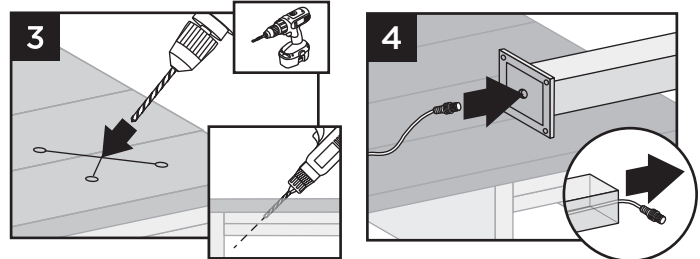
Above listing is for maximum number of each individual light fixture type. For mixing and matching requirements, visit [Trex.com](http://Trex.com) and use the interactive Lighting Transformer Calculator (located on the Trex® Decklighting™ product page).

## Installing Post Cap Lights

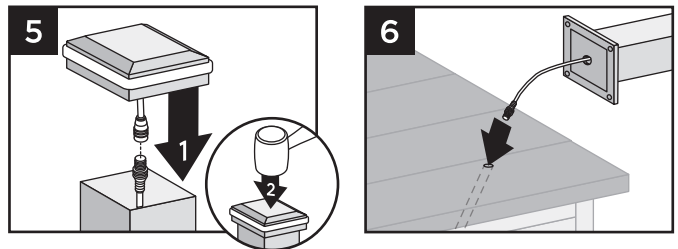
**NOTE:** Instructions shown below are for new deck installation and are shown **BEFORE** railing system has been installed.



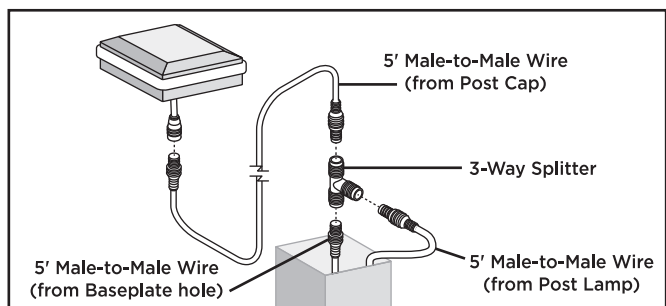
1. Before attaching post to deck, locate placement of post and mark desired bolt locations.
2. Using a straight edge, mark an "X" between the four bolt locations.



3. Using a 9/16" (14 mm) x 6" (152 mm [or longer]) drill bit, drill a diagonal hole through the decking and blocking. Ensure that the angle will allow wire to not be pinched by support plate under blocking (if using Trex ALPOSTHWDECK mounting kit). (See *Making Connections* section for details.)
4. Turn post upside down and fish 5' male-to-male wire (provided) through hole in baseplate.

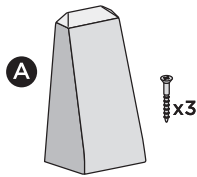


5. Connect the female connector on the post cap light to this wire and, using a rubber mallet, gently tap the cap onto top of post until it is secure.
6. Turn post over and carefully fish wire through hole created in Step 3 to underside of the deck. Ensure exit point of wire under blocking will not be pinched by ALPOSTHWDECK plate.
7. Mount post per instructions.



**NOTE:** If connecting a Trex Wedge Deck Rail Light as well, a 3-way adapter and extra 5' male-to-male wire (not provided) can be used inside the post so that only one wire must be run through the hole in the base of the post (and post blocking). This is optional.

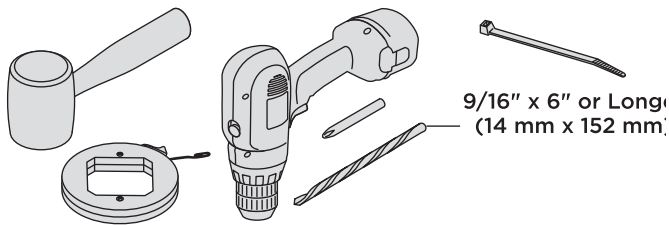
**PARTS**



**Wedge Deck Rail Light**  
(includes 5ft male-to-male wire)

- » 5ft, 10ft, 20ft, 40ft, and 60ft connection/extension wires sold separately (these are male-to-male connection wires).

**TOOLS NEEDED**



9/16" x 6" or Longer  
(14 mm x 152 mm)

**Helpful Tips**

- » Leave slack in wire to make fixture terminations.
- » Deck rail lights work well at changes in levels of a deck—at the top or the bottom of the stairs, or in conjunction with post cap lights.
- » Splitters should be used at each post that has lights and depending on spacing in between each riser and recessed light.
- » Cap all unused female connections with caps provided or weather-resistant silicone to prevent water damage or corrosion.
- » The splitter is cross-linked so there is no specified plug for lights versus lead wires.
- » Leads attached to each light are approx. 5.5' (1.67 m) in length and have male terminals to plug into splitter.
- » Use a separate dimmer control for each light type for maximum control.
- » It is recommended to have power source on when installing lights to ensure all components work.

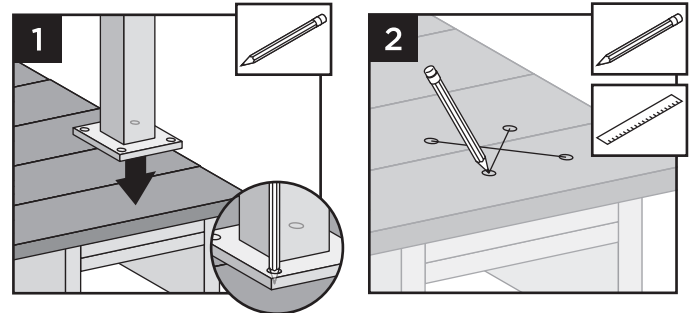
**Transformer Capacity by Type**

Type of Light	8.3A Transformer (83 DL TRANSFORMER)	2.5A Transformer (2.5 DL TRANSFORMER)
Signature Wedge Deck Rail Light	79	27

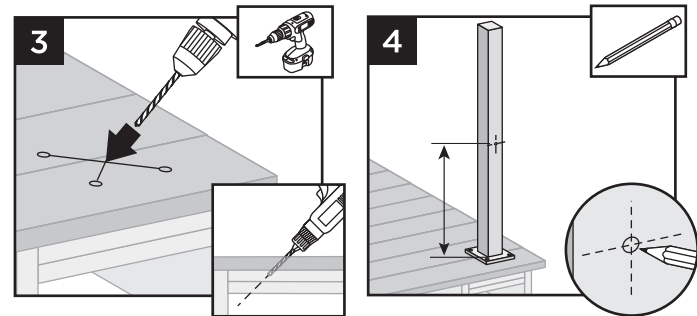
Above listing is for maximum number of each individual light fixture type. For mixing and matching requirements, visit [Trex.com](http://Trex.com) and use the interactive Lighting Transformer Calculator (located on the Trex® Decklighting™ product page).

**Installing Post Lamps**

**NOTE:** Instructions shown below are for new deck installation and are shown BEFORE railing system has been installed.



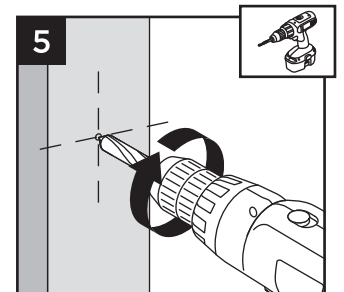
1. Before attaching post to deck, locate placement of post and mark desired bolt locations.
2. Using a straight edge, mark an "X" between the four bolt locations.

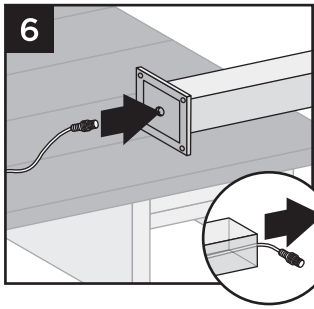


3. Using a 9/16" (14 mm) x 6" (152 mm [or longer]) drill bit, drill a diagonal hole through the decking and blocking. Ensure that the angle will allow wire to not be pinched by support plate under blocking (if using Trex ALPOSTHWDECK mounting kit).

4. Locate placement of post lamp. Mark entry point of the wire.

5. Drill 9/16" (14 mm) hole where wire will enter post.



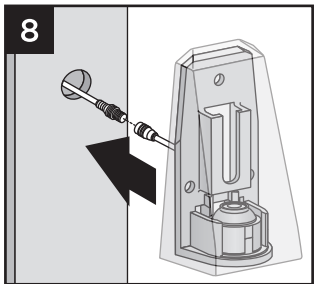
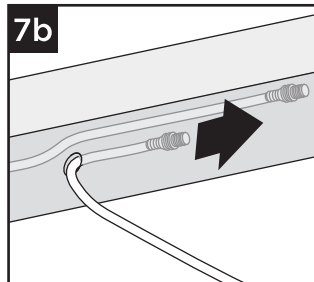
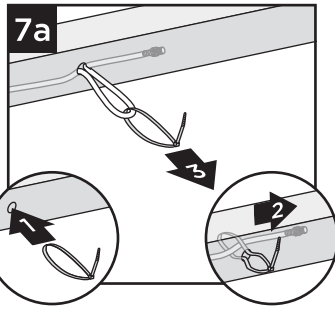


6. Turn post upside down and fish 5' male-to-male wire (provided) through hole in baseplate.

7a. If connecting a Wedge Deck Rail Light only, pull wire through hole.

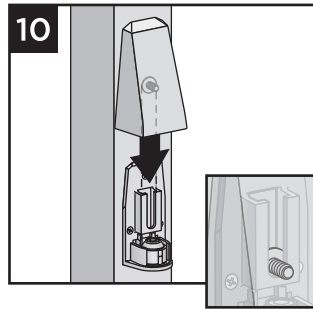
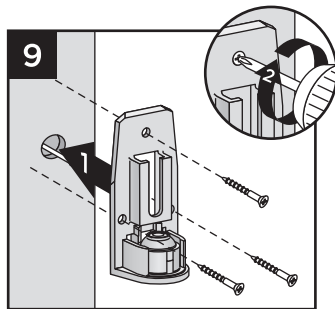
**TIP:** Insert a zip-tie loop (or small grabber tool) through 9/16" (14 mm) hole. Fish wire through loop in zip-tie. Pull wire through hole with zip-tie.

7b. If connecting a Trex Signature post cap light as well, and using the 3-way splitter (see note after Step 12), simply run one wire through the hole created in Step 5 to the top of the post.



8. Connect male connector to female connector on light housing.

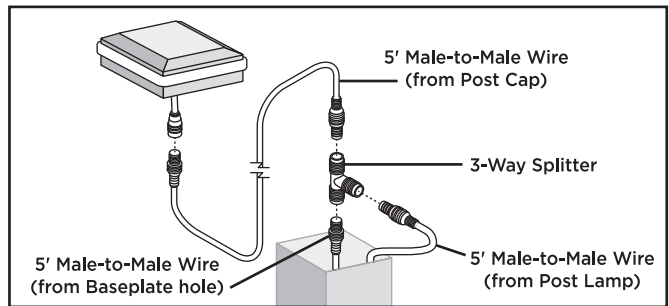
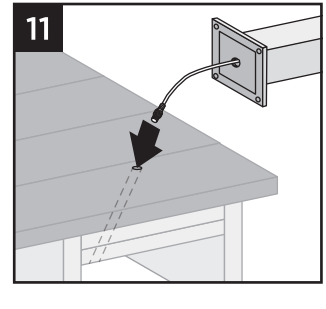
9. Place light and attach backing plate to post with three screws (provided).



10. Slide light cover down over backing plate, adjusting mounting screws as necessary to achieve a tight fit.

11. Turn post over and carefully fish wire through hole created in Step 3 to underside of the deck. Ensure exit point of wire under blocking will not be pinched by ALPOSTHWDECK plate.

12. Mount post per instructions.



**NOTE:** If connecting a Trex Signature post cap light as well, a 3-way adapter and extra 5' male-to-male wire (not provided) can be used inside the post so that only one wire must be run through the hole in the base of the post (and post blocking). This is optional.