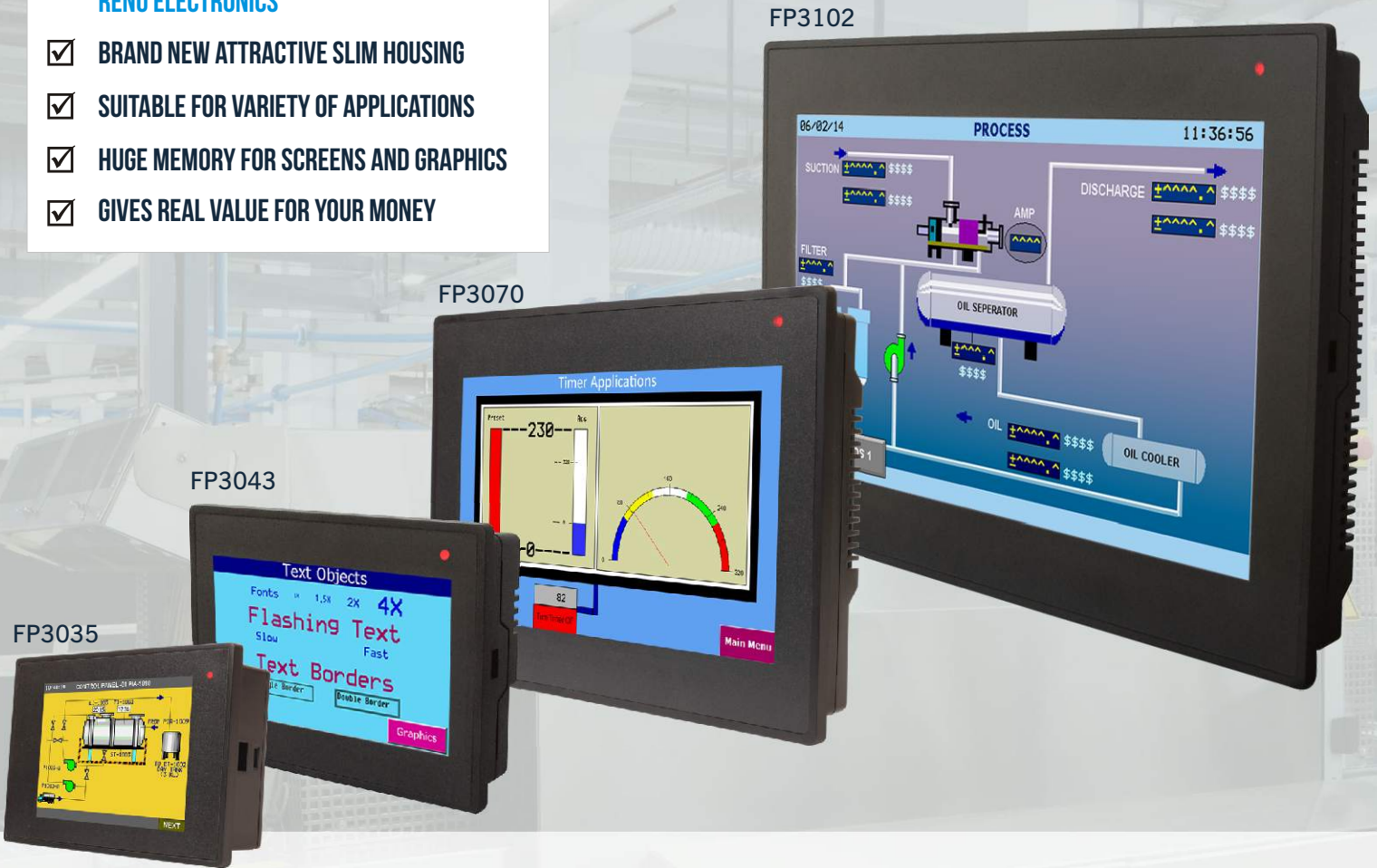


FLEXIPANELS® - FP3 SERIES

- ✓ NEW HIGH PERFORMANCE HMI SERIES FROM RENU ELECTRONICS
- ✓ BRAND NEW ATTRACTIVE SLIM HOUSING
- ✓ SUITABLE FOR VARIETY OF APPLICATIONS
- ✓ HUGE MEMORY FOR SCREENS AND GRAPHICS
- ✓ GIVES REAL VALUE FOR YOUR MONEY



Salient Features

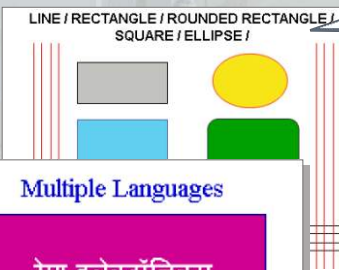
- ✓ 3.5" to 10.2" TFT Color display with touch screen
- ✓ Two serial communication interfaces
- ✓ One USB programming port
- ✓ One USB Host port
- ✓ One Ethernet port
- ✓ One SD card slot
- ✓ Supports Horizontal and Vertical display orientation
- ✓ High quality color display
- ✓ Front Panel mounting with IP66 rating
- ✓ Multilanguage support with true type Windows fonts
- ✓ CE, UL Class I Div 2, RoHS

Model Comparison

Models	FP3035T-24	FP3043T	FP3043TN	FP3070T	FP3070TN	FP3102T	FP3102TN	
Display	3.5" HVGA Color TFT	4.3" WQVGA Color TFT	4.3" WQVGA Color TFT	7" WVGA Color TFT	7" WVGA Color TFT	10.2" WVGA Color TFT	10.2" WVGA Color TFT	
Resolution	480x320 Pixels	480x272 Pixels	480x272 Pixels	800x480 Pixels	800x480 Pixels	800x480 Pixels	800x480 Pixels	
Backlight	LED Backlight	LED Backlight	LED Backlight	LED Backlight	LED Backlight	LED Backlight	LED Backlight	
CPU	32-bit RISC processor	32-bit RISC processor	32-bit RISC processor	32-bit RISC processor	32-bit RISC processor	32-bit RISC processor	32-bit RISC processor	
Memory	Up to 16.5MB	Up to 128MB	Up to 128MB	Up to 128MB	Up to 128MB	Up to 128MB	Up to 128MB	
Screen Memory	Up to 16MB	Up to 45MB	Up to 45MB	Up to 45MB	Up to 45MB	Up to 45MB	Up to 45MB	
Historical Alarms	20 Alarms	2700 Alarms	2700 Alarms	2700 Alarms	2700 Alarms	2700 Alarms	2700 Alarms	
Retentive Memory	1400 Words (EEPROM)	22000 Words (EEPROM)	22000 Words (EEPROM)	22000 Words (EEPROM)	22000 Words (EEPROM)	22000 Words (EEPROM)	22000 Words (EEPROM)	
Data Log	NA	Up to 20 MB	Up to 20 MB	Up to 20 MB	Up to 20 MB	Up to 20 MB	Up to 20 MB	
Serial Communication	Number of ports	2 [#]	2 [#]	2 [#]	2 [#]	2 [#]	2 [#]	
	Com1	RS232	RS232	RS232	RS232 / RS485	RS232 / RS485	RS232 / RS485	
	Com2	RS485	RS485	RS485	RS232 / RS485	RS232 / RS485	RS232 / RS485	
USB Interfaces	USB Device	1 USB Device Type B port for programming	1 USB Device Type B micro port for programming	1 USB Device Type B micro port for programming	1 USB Device Type B micro port for programming	1 USB Device Type B micro port for programming	1 USB Device Type B micro port for programming	
	USB Host	NA	1 USB Host port	1 USB Host port	1 USB Host port	1 USB Host port	1 USB Host port	
SD Card Slot	Type	NA	NA	microSD HC	NA	microSD HC	NA	
	Capacity	NA	NA	High Capacity (4GB to 32GB)	NA	High Capacity (4GB to 32GB)	NA	
	Speed Class	NA	NA		NA		NA	
	UHS Speed Class	NA	NA		NA		NA	
Ethernet Interface	NA	NA	One 10/100 Mbps	NA	One 10/100 Mbps	NA	One 10/100 Mbps	
RTC	Yes	Yes	Yes	Yes	Yes	Yes	Yes	
Power Supply	12/24VDC (±10%)	24VDC (±15%)	24VDC (±15%)	24VDC (±15%)	24VDC (±15%)	24VDC (±15%)	24VDC (±15%)	
Operating Temperature	0 to 50° C	0 to 60° C ^{##}	0 to 60° C ^{##}	0 to 60° C ^{##}	0 to 60° C ^{##}	0 to 60° C ^{##}	0 to 60° C ^{##}	
Storage Temperature	-20 to 85° C	-20 to 85° C	-20 to 85° C	-20 to 85° C	-20 to 85° C	-20 to 85° C	-20 to 85° C	
Humidity	10 to 85% non condensing	10 to 85% non condensing	10 to 85% non condensing	10 to 85% non condensing	10 to 85% non condensing	10 to 85% non condensing	10 to 85% non condensing	
Approvals	CE, UL Class I Div 2	CE, UL Class I Div 2	CE, UL Class I Div 2	CE, UL Class I Div 2	CE, UL Class I Div 2	CE, UL Class I Div 2	CE, UL Class I Div 2	
Mounting	Front Panel Mounting, IP66 rated	Front Panel Mounting, IP66 rated	Front Panel Mounting, IP66 rated	Front Panel Mounting, IP66 rated	Front Panel Mounting, IP66 rated	Front Panel Mounting, IP66 rated	Front Panel Mounting, IP66 rated	
Weight (Approximate)	125 gms.	200 gms.	200 gms.	400 gms.	400 gms.	900 gms.	900 gms.	
Bezel Dimensions (mm)	107W x 69H x 25.4D (Drawing A)	120W x 89H x 31.5D (Drawing B)	120W x 89H x 31.5D (Drawing C)	186W x 138H x 31D (Drawing D)	186W x 138H x 31D (Drawing E)	268W x 190H x 33D (Drawing F)	268W x 190H x 33D (Drawing G)	
Panel Cutout (mm)	98.5W x 60.5H	111W x 80H	111W x 80H	175W x 127H	175W x 127H	256W x 178H	256W x 178H	

FP3035 and FP3043 support One DB9 port that supports RS232 and RS485 levels on different pins. "Y" type cable can be used for separate RS232 and RS485 levels simultaneously. ##For UL, operating temperature range is 0 to 50° C

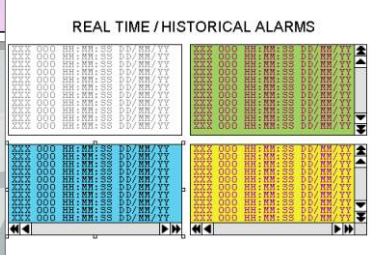
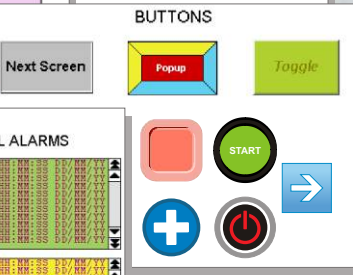
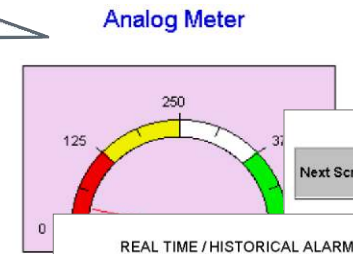
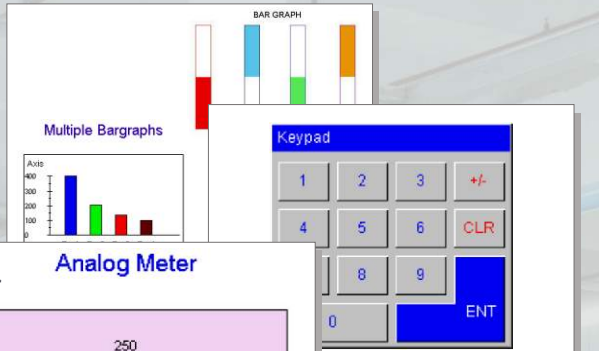
HMI Software Features



Graphical Objects
FlexiSoft® supports various graphical objects like Rectangle / Rounded Rectangle / Ellipse / Square and Line.



Advanced Objects
FlexiSoft® supports most popular advanced objects like Bargraphs, Multiple Bargraphs, Analog Meter, Real Time / Historical Alarms, Buttons.



Windows Fonts for Data Entry and Data Display

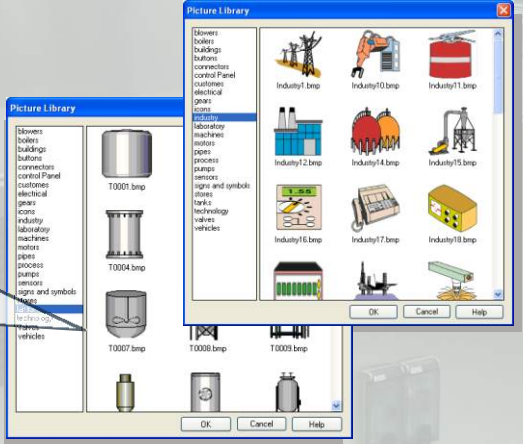
Arial, 12pt
Arial, 14pt
Arial, 18pt

Windows Fonts for Data Entry and Data Display

Times New Roman, 22pt
30pt
42pt
50pt 62pt

Tahoma
72pt
90pt

Windows Font for Display Data and Data Entry
FlexiSoft® supports True type Windows font for Data Entry and Data Display objects. Supported fonts are 'Arial', 'Times New Roman' and 'Tahoma'.



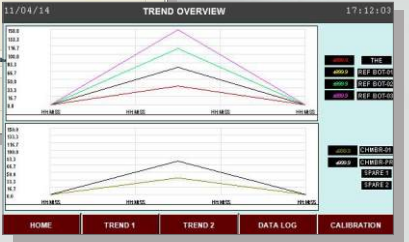
Picture Library
FlexiSoft® provides rich picture library. It includes many popular image categories widely used for industrial application development.



Real Time Clock
Real Time Clock object helps user to display date, time and day of week.



Data Logging & Trend Tracking
FlexiSoft® support data logging feature. Real time as well as Historical Trending is also supported. The user can also display multiple trends with different pen color on one screen.



Supported Objects

Drawing Tools
• Line, Rectangle, Ellipse
• Rounded Rectangle
• Text, Multilingual text
• Picture
Data Entry / Data Display
• Numeric data
• Bit data
Clock objects
• Time
• Date

Advance Objects
• Buttons
• Lamps
• Bargraph
• Multiple Bargraph
• Analog Meter
• Alarm
• Numeric Keypad
• ASCII Keypad
• Custom Keypad

Supported Tasks

Supported tasks
• Button specific tasks
• Global tasks
• Screen specific tasks
• Data exchange tasks

Supported Printers

FlexiPanels® support following Dot Matrix serial printers:

- > EPSON
- > SAMSUNG
- > TVS



Protocols Supported Include

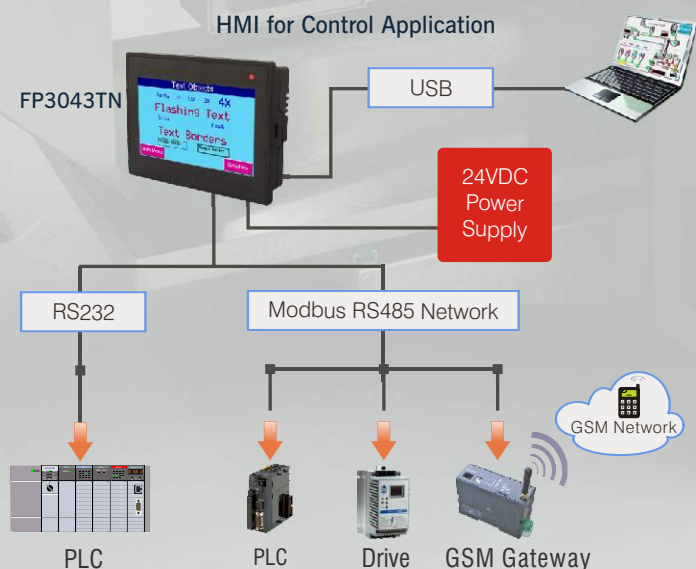
Serial Driver	FP3 Series
ABB PLCs	✓
Allen Bradley DF1	✓
Aromat FP Series	✓
Baldor	✓
Danfoss Drive	✓
Delta PLCs	✓
Fatek PLCs	✓
FL Smidth Loadcell**	✓
FlexiLogics*	✓
FlexiLogics Slave Driver*	✓
G9SP Safety Controller***	✓
GE SNP	✓
GE SNP-X	✓
Idec PLCs	✓
LG Master K Series PLC	✓
LG Master-K 300S	✓
Mitsubishi FX	✓

Serial Driver	FP3 Series
Mitsubishi Q series PLCs (Serial)	✓
Modbus ASCII (Unit as Master)	✓
Modbus RTU (Unit as Master)	✓
Modbus RTU (Unit as Slave)	✓
Omron Host Link	✓
Omron Inverter Memobus	✓
Siemens Gas Analyser (Master)	✓
Siemens Micromaster Driver (USS)	✓
Siemens Step-7 Micro***	✓
Toshiba (Link Port) Series PLCs	✓
Toshiba Inverters PLC	✓
Toshiba T Series	✓
TriPLC	✓
Twido PLCs	✓
Unitelway PLCs	✓
Universal Serial Driver (ASCII)	✓

Ethernet Driver	FP3 Series
AB PLC EIP PCCC (Ethernet IP)	✓
FlexiLogics*	✓
FlexiLogics Slave Driver*	✓
Logix 5000 PLCs	✓
Modbus/TCP Master (Client)	✓
Modbus/TCP Server (Slave)	✓
Universal Ethernet Driver (ASCII)	✓

*Supported with native programming environment.
 **Supported for Com2
 *** Not supported with FP3035

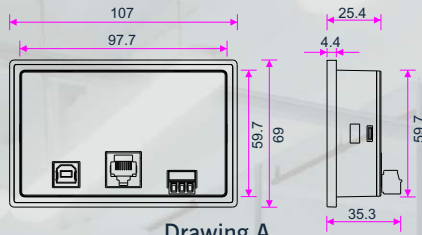
Application Example



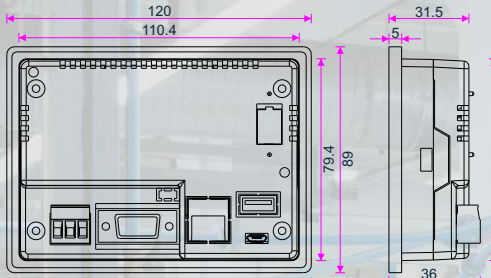
Ordering Information

Models	Description
FP3035T-24	3.5" TFT, 12/24VDC, USB Device
FP3043T	4.3" TFT, 24VDC, USB Device
FP3043TN	4.3" TFT, 24VDC, USB Device, Ethernet, SD Card
FP3070T	7" TFT, 24VDC, USB Device
FP3070TN	7" TFT, 24VDC, USB Device, Ethernet, SD Card
FP3102T	10.2" TFT, 24VDC, USB Device
FP3102TN	10.2" TFT, 24VDC, USB Device, Ethernet, SD Card

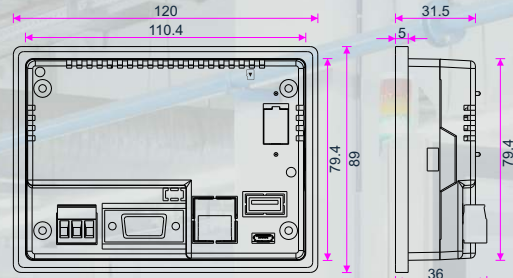
Dimensions



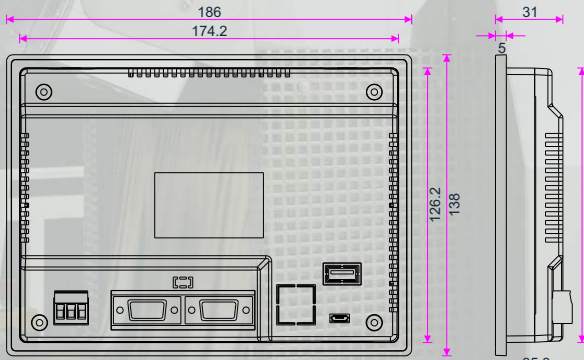
Drawing A



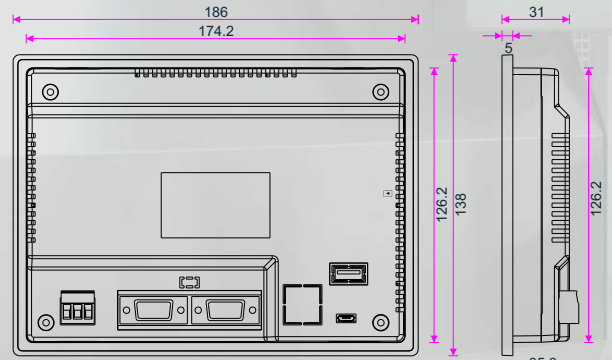
Drawing B



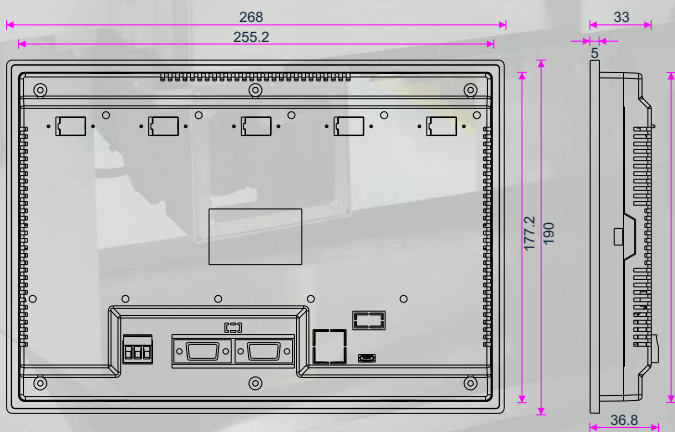
Drawing C



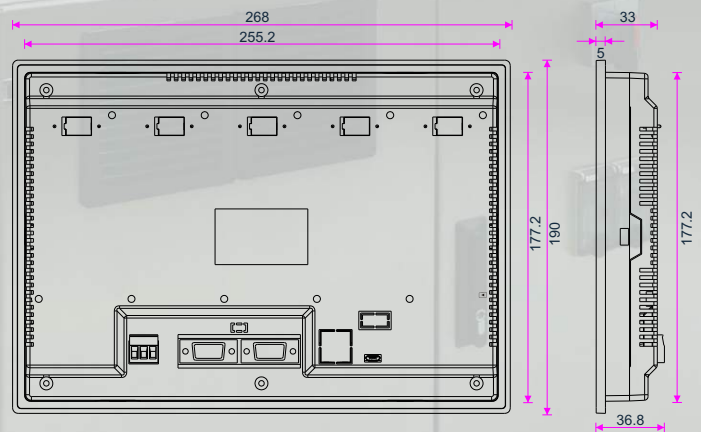
Drawing D



Drawing E



Drawing F



Drawing G

All dimensions are in mm.
Please contact factory for more information. We welcome an opportunity to develop new, custom drivers and customized units.



HEAD OFFICE
Survey No. 2/6, Baner Road, Pune - 411045, India.
Tel : +91 20 2729 2840 Fax : +91 20 2729 2839
Email : info@renuelectronics.com
Website: www.renuelectronics.com

An ISO 9001:2008 and ISO 14001:2004 certified company