



Saf-T-Stor® Gas Cylinder Storage Cabinet

Saf-T-20

Assembly Instructions

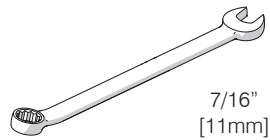
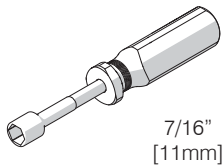
Providing Reliable Engineered Solutions

TABLE OF CONTENTS:

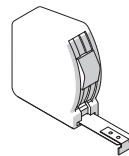
- PAGE 1 | COVER, TOOLS REQ'D
- PAGE 2 | HARDWARE PROVIDED & PARTS LIST
- PAGE 3 | ASSEMBLY INSTRUCTIONS
- PAGE 4 | ASSEMBLY INSTRUCTIONS (CONTINUED)



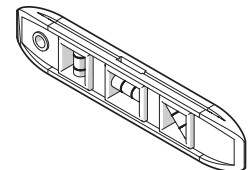
TOOLS REQUIRED:



OPEN END WRENCH

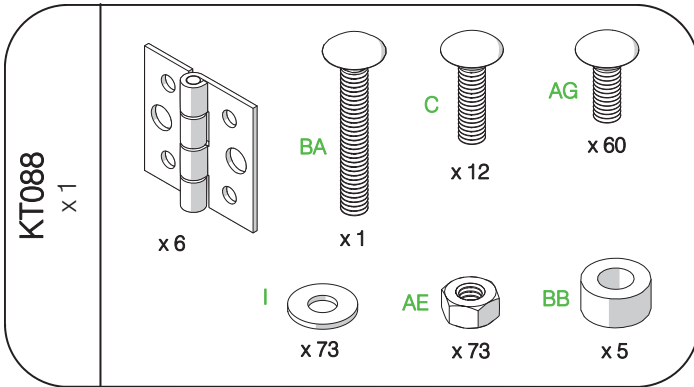


MEASURING TAPE



LEVEL

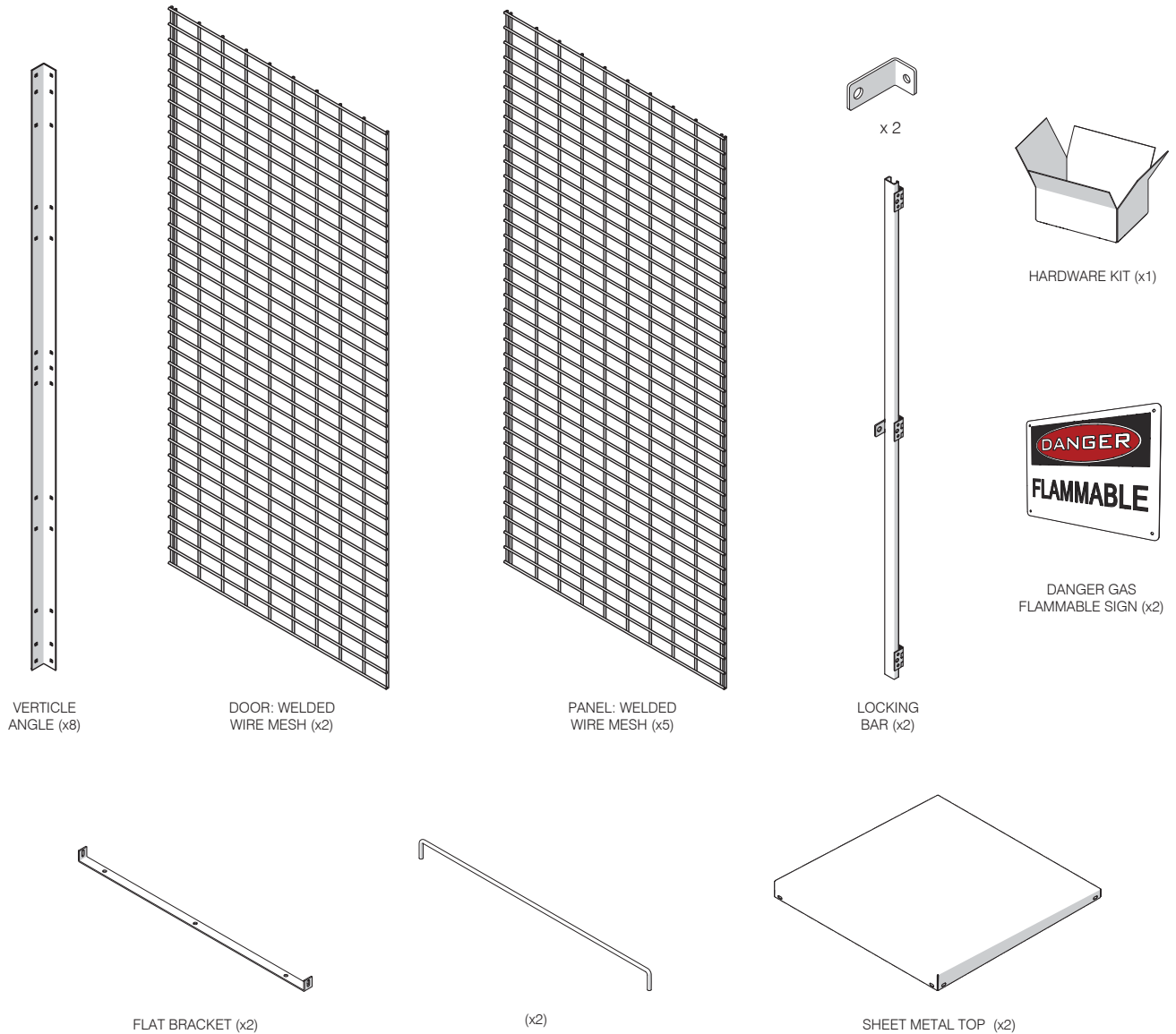
HARDWARE PROVIDED:

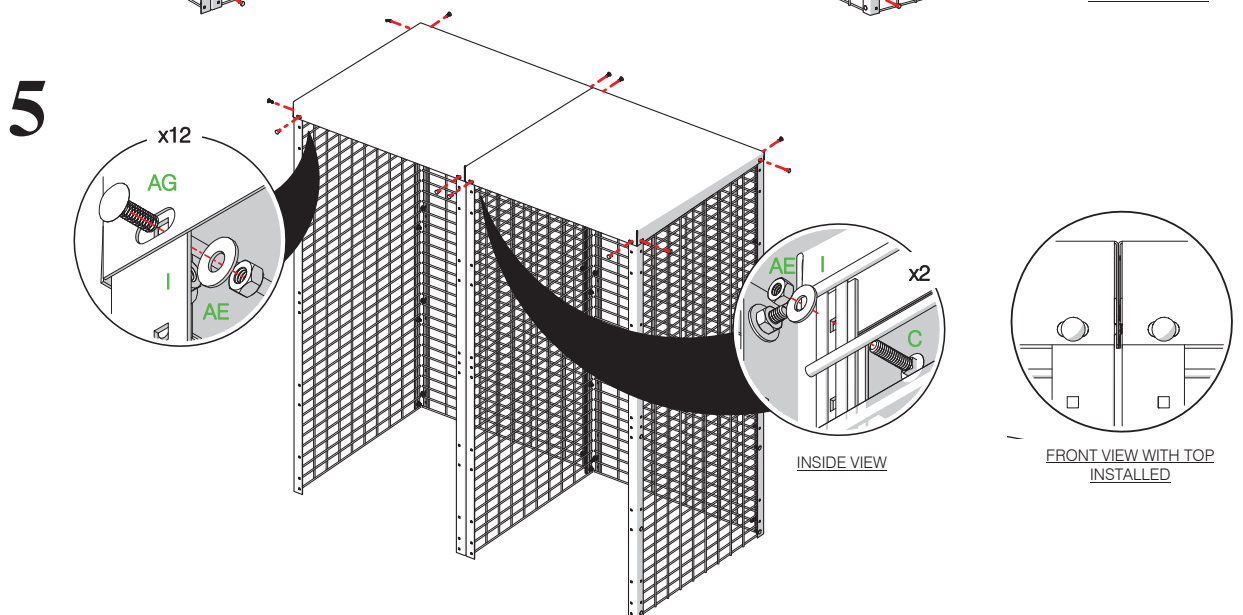
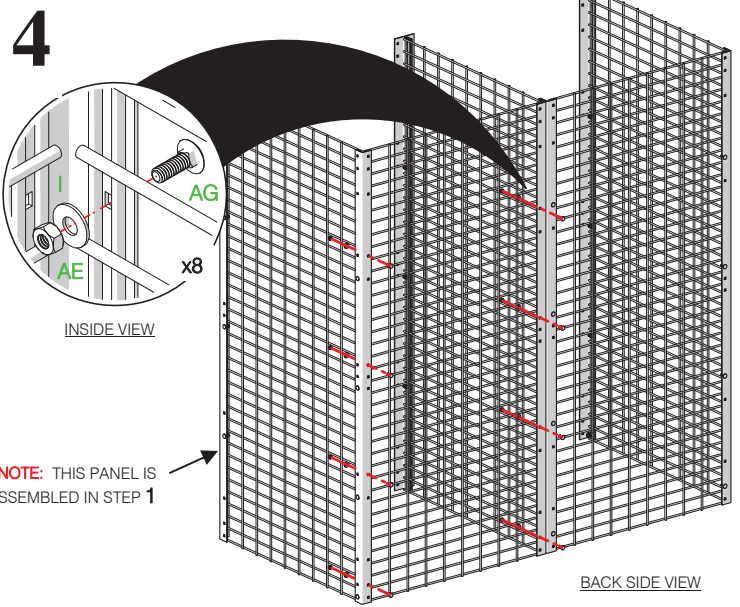
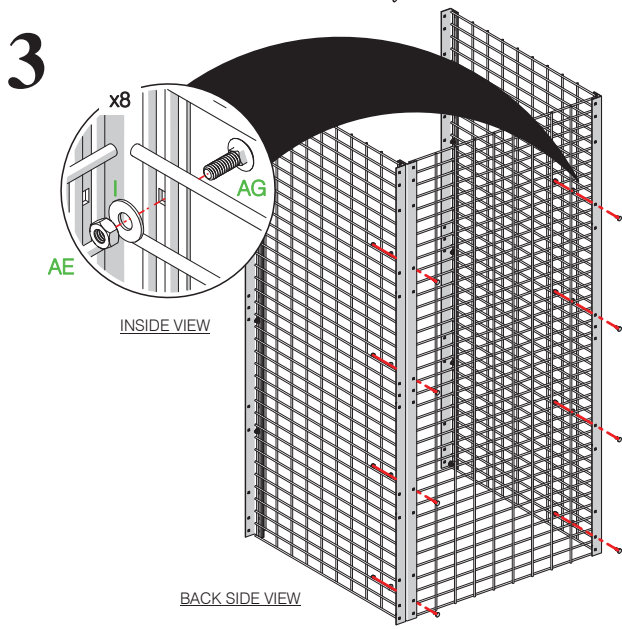
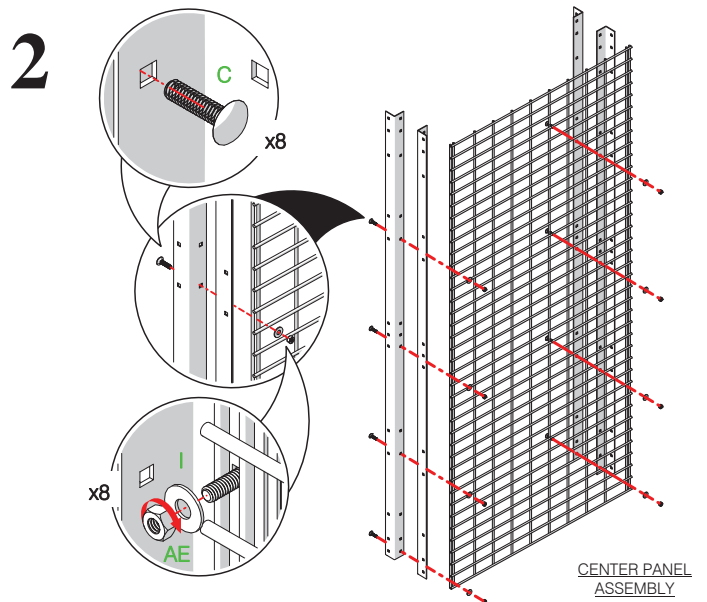
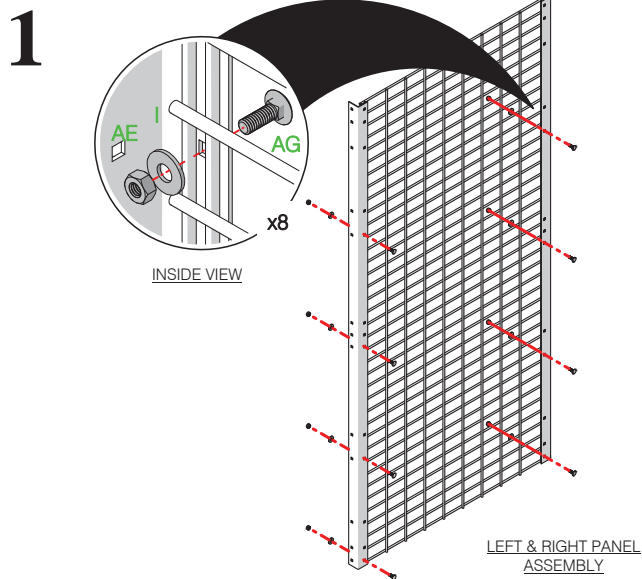


HARDWARE LIST:

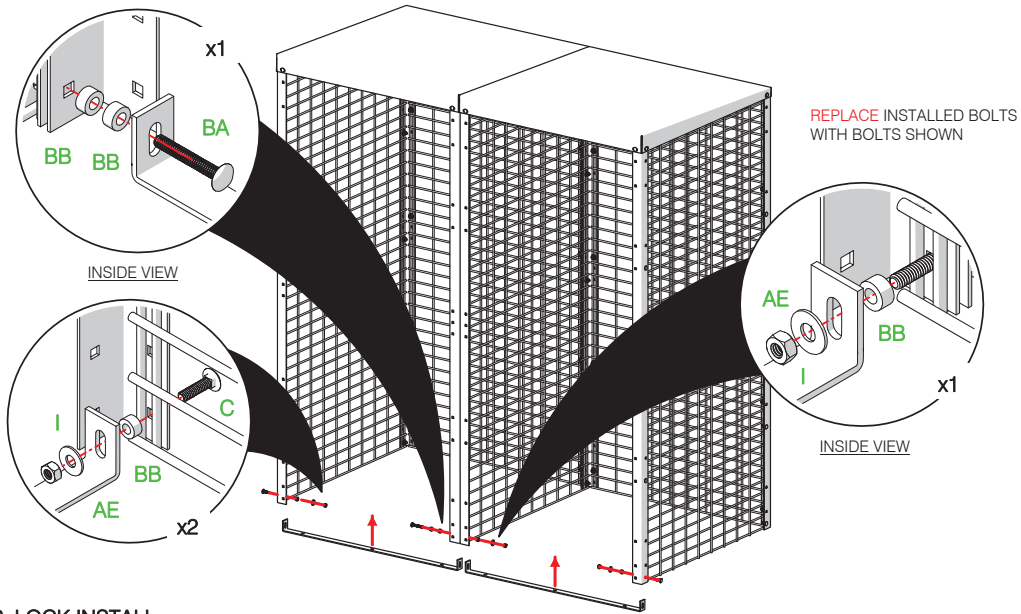
- (C) 1/4"-20 x 1" SQUARE NECK CARRIAGE BOLT
- (I) 1/4" FLAT WASHER
- (AE) 1/4"-20 HEX NUT
- (AG) 1/4"-20 x 3/4" SQUARE NECK CARRIAGE BOLT
- (BA) 1/4"-20 x 1-3/4" SQUARE NECK CARRIAGE BOLT
- (BB) 1/4" LENGTH PLASTIC SPACER

PARTS LIST:

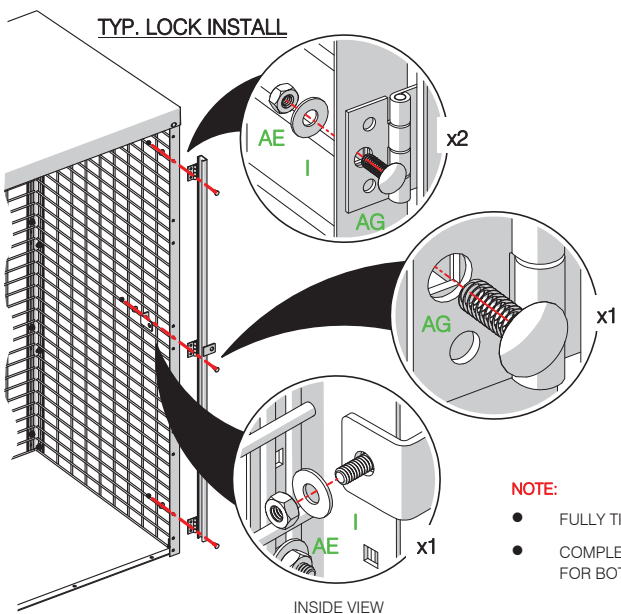




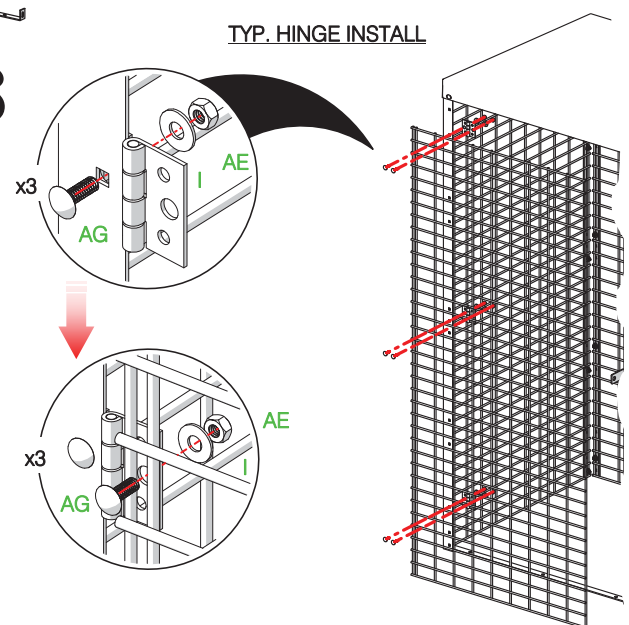
6



7

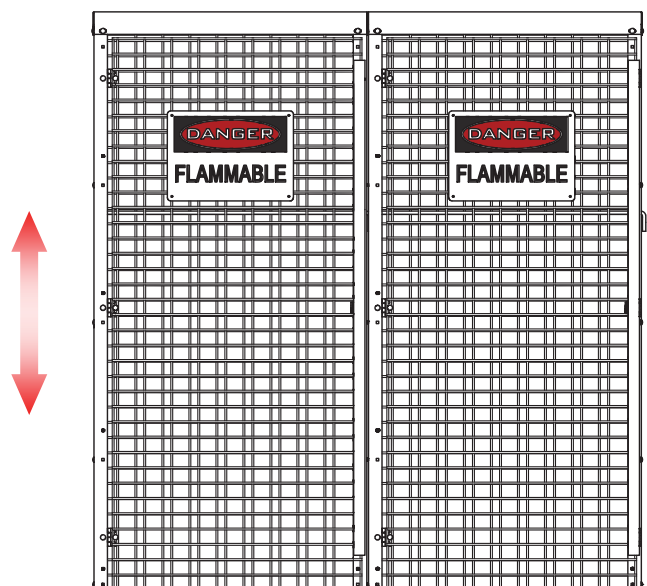


8



- NOTE:**
- FULLY TIGHTEN ALL NUTS
 - COMPLETE STEP 7 & 8 FOR BOTH DOORS

9



- NOTE:**
- CHECK DOOR ALIGNMENT, ADJUST DOOR HEIGHT ACCORDINGLY.
 - ZIP TIE DANGER SIGN TO LOCKER DOOR