

Contents



	Page No's.
Absorption Tubes	3
Adapters	4-7
Stillheads and Splasheads	8-9
Bottles	10-12
Condensers	13-14
Joints/Stoppers	16-19
Extractors	20-21
Filter Funnels	22
Flasks	23-29
Gas Syringe Apparatus	30
Organic Sets	31-37
Screw Threads	38-40
Separating Funnels	41-43
P.T.F.E. Stopcocks	44
Volumetric Ware	45-50
Index	51-52

Absorption Tubes



Absorption Tower

Diameter mm	Height mm	Catalogue Ref.
50	250	AT250

Absorption Tower Ground Inlet

Diameter mm	Height mm	Catalogue Ref.
50	250	ATS250
50	300	ATS300

Absorption Tube

Diameter mm	Height mm	Catalogue Ref.
12	100	AST/1
15	125	AST/2
20	150	AST/3
25	200	AST/4

Absorption Tube U Shape

U Shape with side arms and two ground in stopper/stopcocks.

Diameter mm	Height mm	Catalogue Ref.
12	100	ATGS/1
15	125	ATGS/2
20	150	ATGS/3

Plain Top with side arms

12	100	ATS/1
15	125	ATS/2
20	150	ATS/3

Plain Top only

12	100	AT/1
15	125	AT/2
20	150	AT/3

Absorption Bulb Arnold's

With two bulbs. Borosilicate glass.

Catalogue Ref. ABR/1

Absorption Bulb Midvale's

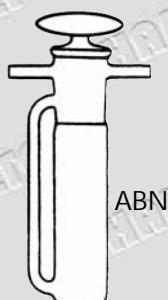
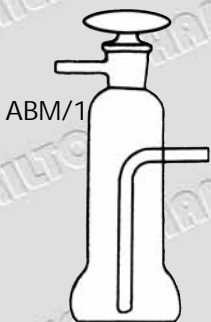
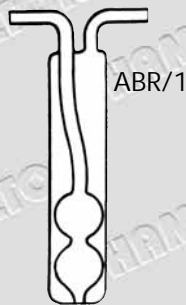
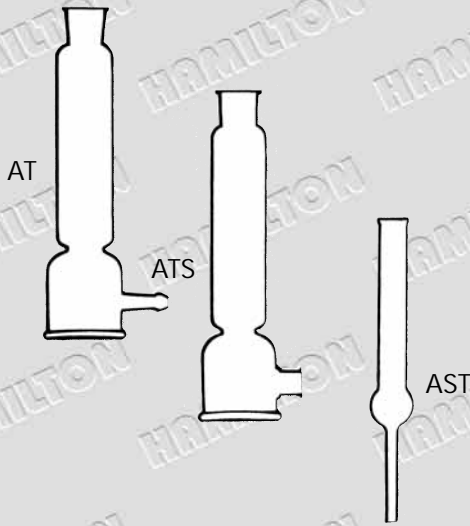
With ground in stopper/stopcock. Borosilicate glass.

Diameter mm	Catalogue Ref.
33-34	ABM/1

Absorption Bulb Nesbitt's

With ground in stopper/stopcock. Borosilicate glass.

Capacity ml	Catalogue Ref.
25	ABN/1
50	ABN/2
75	ABN/3



Adaptors



A1



A2



A3



A4

Adaptors Reduction

socket size	Cone size	Catalogue Ref.
10/19	14/23	A1/1
14/23	19/26	A1/2
14/23	24/29	A1/3
14/23	29/32	A1/4
19/26	24/29	A1/5
19/26	29/32	A1/6
19/26	34/35	A1/7
19/26	40/38	A1/8
19/26	45/40	A1/9
19/26	55/44	A1/10
24/29	29/32	A1/11
24/29	34/35	A1/12
24/29	40/38	A1/13
24/29	45/40	A1/14
24/29	50/42	A1/15
24/29	55/44	A1/16
29/32	34/35	A1/17
29/32	45/40	A1/18
34/35	40/38	A1/19
34/35	45/40	A1/20
34/35	50/42	A1/21
34/35	55/44	A1/22

Adaptors Expansion

Socket size	Cone size	Catalogue Ref.
14/23	10/19	A2/1
19/26	14/23	A2/2
24/29	14/23	A2/3
24/29	19/26	A2/4
29/32	14/23	A2/5
29/32	19/26	A2/6
29/32	24/29	A2/7
34/35	19/26	A2/8
34/35	24/29	A2/9
34/35	29/32	A2/10
40/38	29/32	A2/11

Adaptors

Cone to tubing; straight

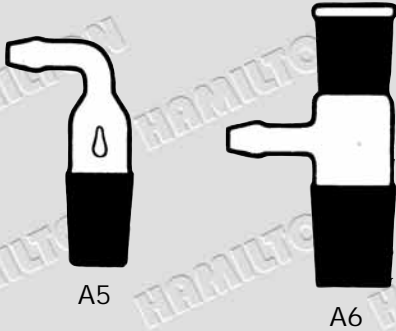
Cone size	Catalogue Ref.
14/23	A3/1
19/26	A3/2
24/29	A3/3

Adaptors

Socket to tubing; straight

Socket size	Catalogue Ref.
14/23	A4/1
19/26	A4/2
24/29	A4/3

Adaptors



Adaptors

Cone to tubing 90° bent connection

Cone size	Catalogue Ref.
14/23	A5/1
19/26	A5/2
24/29	A5/3
34/35	A5/4

Adaptors

Socket to cone with 'T' connection

Socket size	Cone size	Catalogue Ref.
10/19	14/23	A6/1
10/19	10/19	A6/2
14/23	14/23	A6/3
14/23	19/26	A6/4
14/23	24/29	A6/5
19/26	19/26	A6/6
19/26	24/29	A6/7
19/26	29/32	A6/8
19/26	34/35	A6/9
24/29	29/32	A6/10

Adaptors, Swan Neck

For air leak or thermometer

Socket size	Cone size	Catalogue Ref.
19/26	19/26	A7/1
19/26	24/29	A7/2
24/29	24/29	A7/3

Adaptors, Bends with Socket Connection

Socket size	Cone size	Catalogue Ref.
14/23	14/23	A8/1
19/26	19/26	A8/2
19/26	24/29	A8/3

Adaptors, Multiple

With one neck at 45°

Socket size	Cone size	Catalogue Ref.
19/26	19/26	A9/1
19/26	24/29	A9/2

Adaptors



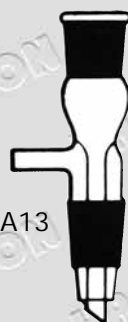
A10



A11



A12



A13



A14



A15

Adaptors Multiple

With 2 parallel necks

Socket size	Cone size	Catalogue Ref.
10/19	10/19	A10/1
14/23	14/23	A10/2
19/26	14/23	A10/3
19/26	24/29	A10/4
24/29	24/29	A10/5
29/32	29/32	A10/6
19/26	34/35	A10/7
34/35	34/35	A10/8

Adaptors Multiple

With 2 parallel necks, and one at 45°

Two parallel necks	Socket size		Cone neck	Catalogue Ref.
	Angled neck	Cone neck		
19/26	14/23	24/29	A11/1	
19/26	19/26	24/29	A11/2	
19/26	19/26	29/32	A11/3	
19/26	19/26	34/35	A11/4	
19/26	19/26	55/44	A11/5	

Adaptors Bend with Multiple Connection

Socket size	Cone size	Catalogue Ref.
10/19	10/19	A12/1
14/23	14/23	A12/2
19/26	14/23	A12/3

Vertical Receiver Adaptor with Vent

Socket size	Cone size	Catalogue Ref.
24/29	24/29	A13/1

Bends with Vacuum Connection

Socket size	Cone size	Catalogue Ref.
14/23	14/23	A14/1
19/26	19/26	A14/2
19/26	24/29	A14/3
24/29	24/29	A14/4
29/32	29/32	A14/5
34/35	34/35	A14/6

Receiver Adaptors (Perkins)

Socket size	Cone size	Capacity ml.	Catalogue Ref.
14/23	14/23	10	A15/1
19/26	19/26	32	A15/2
19/26	24/29	32	A15/3
24/29	24/29	32	A15/4

Adaptors



A16



A17



A18



A19
A20

Plain Bends

Socket size	Cone size	Catalogue Ref.
19/26	19/26	A16/1
19/26	24/29	A16/2
24/29	24/29	A16/3
34/35	34/35	A16/4

Bends with Vents

Socket size	Cone size	Catalogue Ref.
10/19	10/19	A17/1
14/23	14/23	A17/2
19/26	19/26	A17/3
19/26	24/29	A17/4
24/29	24/29	A17/5
29/32	29/32	A17/6
34/35	34/35	A17/7

Straight Delivery Adaptors

Socket size	Catalogue Ref.
14/23	A18/1
19/26	A18/2
24/29	A18/3
34/35	A18/4

Delivery Adaptors, Bent

Socket size	Short	Long	Catalogue Ref.
10/19	-----	-----	A20/1
14/23	A19/2	-----	A20/2
19/26	A19/3	-----	A20/3
24/29	A19/4	-----	A20/4
29/32	-----	-----	A20/5
34/35	-----	-----	A20/6

Stillheads & Splash heads



AS1



AS2



AS3



AS4



AS5

Plain Stillheads with Thermometer Socket

Cone size to fit flask	Cone size to fit condenser	Thermometer socket size	Catalogue Ref.
10/19	10/19	10/19	AS1/1
14/23	14/23	14/23	AS1/2
19/26	19/26	14/23	AS1/3
24/29	19/26	14/23	AS1/4
29/32	19/26	14/23	AS1/5
34/35	19/26	14/23	AS1/6
24/29	24/29	14/23	AS1/7
34/35	24/29	14/23	AS1/8
29/32	29/32	14/23	AS1/9
34/35	34/35	14/23	AS1/10

Claisen Heads, Sloping

With 14/23 sockets

Cone size to fit flask	Cone size to fit condenser	Catalogue Ref.
14/23	14/23	AS2/1
19/26	19/26	AS2/2
24/29	19/26	AS2/3
34/35	19/26	AS2/4
24/29	24/29	AS2/5
29/32	29/32	AS2/6

Reflux Ratio Heads, Sluice Type

Column cone size	Receiver cone size	Centre	Socket size	Side	Catalogue Ref.
24/29	19/26	19/26	14/23		AS3/1
34/35	19/26	24/29	14/23		AS3/2

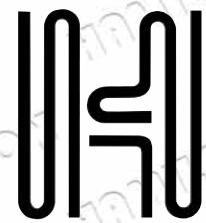
Splash Heads

Cone size to fit flask	Socket size to fit condenser	Catalogue Ref.
19/26	24/29	AS4/1

Splash Heads, Sloping Delivery

Cone size to fit flask	Cone size to fit condenser	Catalogue Ref.
19/26	19/26	AS5/1
24/29	19/26	AS5/2
34/35	19/26	AS5/3
29/32	34/35	AS5/4
34/35	34/35	AS5/5

Stillheads & Splash Heads



Steam Distillation Heads, Sloping Delivery

Cone size to fit flask	Cone size to fit condenser	Catalogue Ref.
24/29	19/26	AS6/1
34/35	19/26	AS6/2

Recovery Bends, Sloping Delivery

Cone size to fit flask	Cone size to fit condenser	Catalogue Ref.
14/23	14/23	AS8/1
19/26	19/26	AS8/2
24/29	19/26	AS8/3
29/32	19/26	AS8/4
34/35	19/26	AS8/5
24/29	24/29	AS8/6
34/35	24/29	AS8/7
29/32	29/32	AS8/8

Recovery Bends, Vertical Delivery

Cone size to fit flask	Cone size to fit condenser	Catalogue Ref.
14/23	14/23	AS9/1
19/26	19/26	AS9/2
24/29	19/26	AS9/3
24/29	24/29	AS9/4
34/35	34/35	AS9/5

Splash Heads, Vertical Delivery

one size to fit flask	Cone size to fit condenser	Catalogue Ref.
19/26	19/26	AS10/1
24/29	19/26	AS10/2
24/29	24/29	AS10/3

Bottles



RBN



RBNS



RBW



RBWS

Reagent Bottles

Narrow mouth without stopper

Capacity	Pack	Contents	Catalogue Ref.
50ml	48		RBN50ml
100ml	70		RBN100ml
250ml	30		RBN250ml
500ml	15		RBN500ml
1000ml	12		RBN1000ml

Add Prefix "A" for Amber

Reagent Bottles

Narrow mouth with stopper

Capacity	Pack	Contents	Catalogue Ref.
50ml	48		RBNS50ml
100ml	70		RBNS100ml
250ml	30		RBNS250ml
500ml	15		RBNS500ml
1000ml	12		RBNS1000ml
2000ml	6		RBNS2000ml

Add Prefix "A" for Amber

Reagent Bottles

Wide mouth without stopper

Capacity	Pack	Contents	Catalogue Ref.
50ml	40		RBW50ml
100ml	48		RBW100ml
250ml	30		RBW250ml
500ml	15		RBW500ml
1000ml	12		RBW1000ml
2000ml	6		RBW2000ml

Add Prefix "A" for Amber

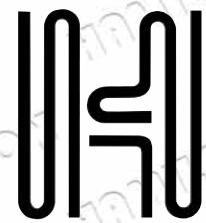
Reagent Bottles

Wide mouth with stopper

Capacity	Pack	Contents	Catalogue Ref.
50ml	40		RBWS50ml
100ml	48		RBWS100ml
250ml	30		RBWS250ml
500ml	15		RBWS500ml
1000ml	12		RBWS1000ml
2000ml	6		RBWS2000ml

Add Prefix "A" for Amber

Bottles



Laboratory Bottles Graduated

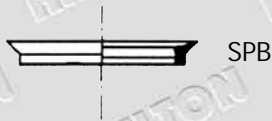
Borosilicate glass with thread ISO-GL 45 complete with screw cap and pouring ring

Capacity	Pack Contents	Catalogue Ref.
100ml	10	.LBG100ml
250ml	10	.LBG250ml
500ml	10	.LBG500ml
1000ml	10	.LBG1000ml
2000ml	10	.LBG2000ml
5000ml	6	.LBG5000ml
10000	1	.LBG10000ml



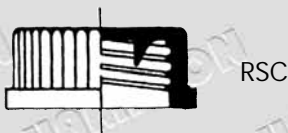
Spare Blue Screw Cap

Pack Contents	Catalogue Ref.
10	.BSC45



Spare Outlet Ring Blue

Pack Contents	Catalogue Ref.
10	.SPB45



Spare Red Screw Cap Red

Pack Contents	Catalogue Ref.
10	.BSC45



Spare Outlet Ring Red

Pack Contents	Catalogue Ref.
10	.SPR45

Bottles



BC1

BC2

Dreschel (Gas Washing)

B.S. 2461 Type 1 Joint Size 24/29 Plain Tube
Plain Tube

Capacity ml.	Bottle	Catalogue Ref.	
		Head	Complete
125.....	B1/1.....	H1/1	BC1/1
250.....	B1/2.....	H1/2	BC1/2
500.....	B1/3.....	H1/3	BC1/3

Dreschel (Gas Washing)

B.S. 2461 Type 2 Joint Size 24/29
Sintered Disc

Capacity ml.	Bottle	Catalogue Ref.	
		Sintered Disc Head	Complete
125.....	B1/1.....	HS1/1	BC2/1
250.....	B1/2.....	HS1/2	BC2/2
500.....	B1/3.....	HS1/3	BC2/3

Flat Bottomed

Joint Size 24/29

Capacity ml.	Bottle	Catalogue Ref.	
		Head	Complete
500.....	FB3/1.....	H2/1	BC3/1
1000.....	FB3/2.....	H2/2	BC3/2
2000.....	FB3/3.....	H2/3	BC3/3

Conical

Joint Size 24/29

Capacity ml.	Bottle	Catalogue Ref.	
		Head	Complete
500.....	-C4/1.....	H2/1	BC4/1

Weighing

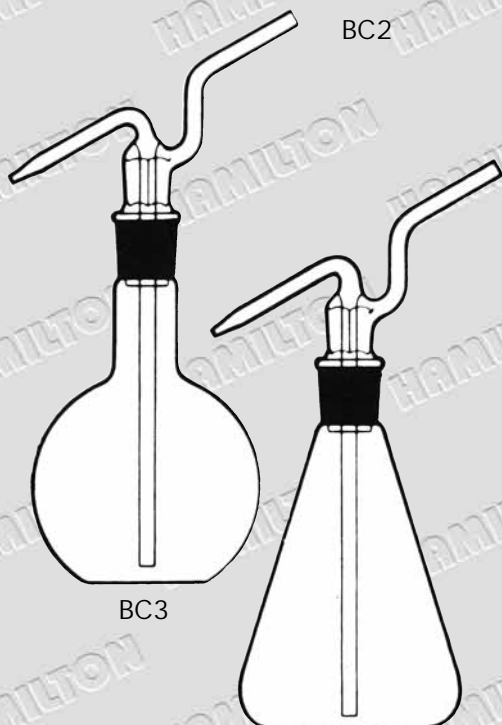
Weighing

Tall-Form

Height Diameter

Catalogue Ref.

40 x 20	BW50/1
50 x 25	BW50/2
60 x 30	BW50/3
60 x 40	BW50/4
80 x 40	BW50/5
100 x 50	BW50/6



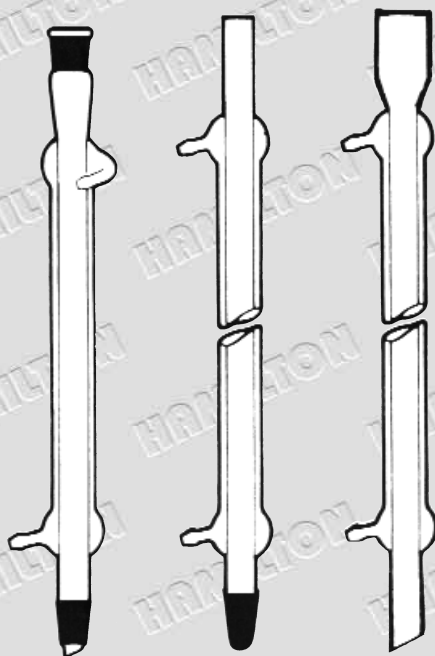
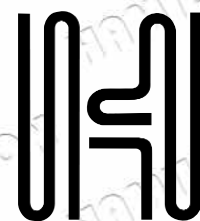
BC3

BC4



BW50

Condensers



C2

C4

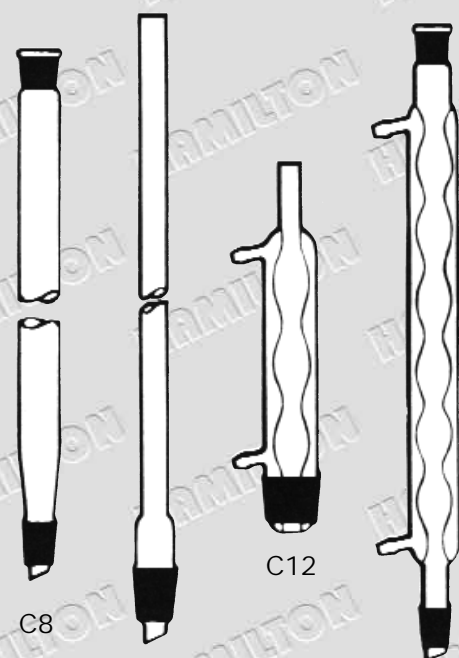
C6

Liebig Condensers

Effective length mm	Socket size	Cone size	Catalogue Ref.
65	10/19	10/19	C2/2
150	14/23	14/23	C2/4
200	19/26	19/26	C2/6
200	24/29	24/29	C2/8
350	19/26	19/26	C2/10
350	24/29	24/29	C2/12
400	29/32	29/32	C2/14
500	34/35	34/35	C2/16
250	-----	19/26	C4/2
350	-----	24/29	C4/4
250	-----	-----	C6/2
500	-----	-----	C6/4
750	-----	-----	C6/6

Air Condensers

Air Condensers Effective length mm	Socket size	Cone size	Catalogue Ref.
100	10/19	10/19	C8/2
250	14/23	14/23	C8/4
200	19/26	19/26	C8/6
250	24/29	24/29	C8/8
400	19/26	19/26	C8/10
500	24/29	24/29	C8/12
500	34/35	34/35	C8/14
600	19/26	19/26	C8/16
750	24/29	24/29	C8/18
450	-----	14/23	C10/2
750	-----	19/26	C10/4
750	-----	24/29	C10/6
750	-----	29/32	C10/8
1500	-----	24/29	C10/10



C8

C10

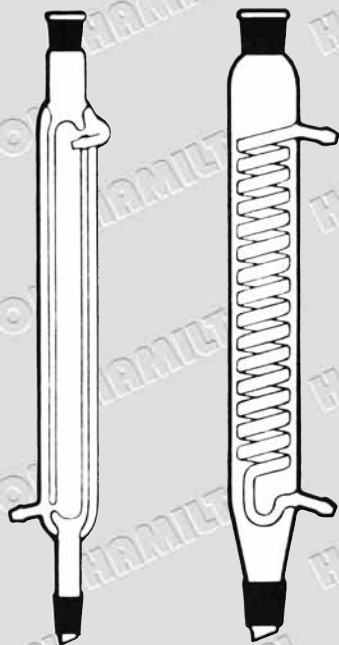
C12

C14

Allihn Condensers

Effective length mm	Socket size	Cone size	Catalogue Ref.
200	-----	19/26	C12/2
200	-----	24/29	C12/4
200	-----	29/32	C12/6
200	-----	34/35	C12/8
200	-----	40/38	C12/10
300	24/29	24/29	C14/12

Condensers



C16

C20

Double Surface Condensers (Davies)

Effective length mm	Socket size	Cone size	Catalogue Ref.
100	10/19	10/19	C16/2
150	19/26	19/26	C16/4
150	24/29	24/29	C16/6
200	19/26	19/26	C16/8
200	24/29	24/29	C16/10
200	29/32	29/32	C16/12
200	-----	24/29	C18/2
200	-----	34/35	C18/4

Coil Condensers

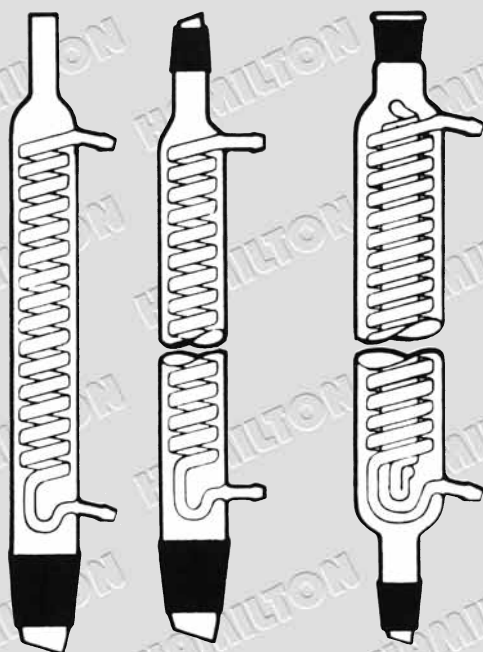
Effective length mm	Socket size	Cone size	Catalogue Ref.
150	19/26	19/26	C20/2
150	24/29	24/29	C20/4
150	29/32	29/32	C20/6
300	19/26	19/26	C20/8
300	24/29	24/29	C20/10
150	-----	29/32	C22/2
150	-----	34/35	C22/4
200	-----	40/38	C22/6
200	-----	45/40	C22/8
200	-----	50/42	C22/10

Coil Condensers Reversible

Effective length mm	Cone size	Catalogue Ref.
150	24/29 - B19/26	C24/2
150	34/35 - B24/29	C24/4

Double Coil Condensers

Effective length mm	Socket size	Cone size	Catalogue Ref.
200	19/26	19/26	C26/2
200	24/29	24/9	C26/4

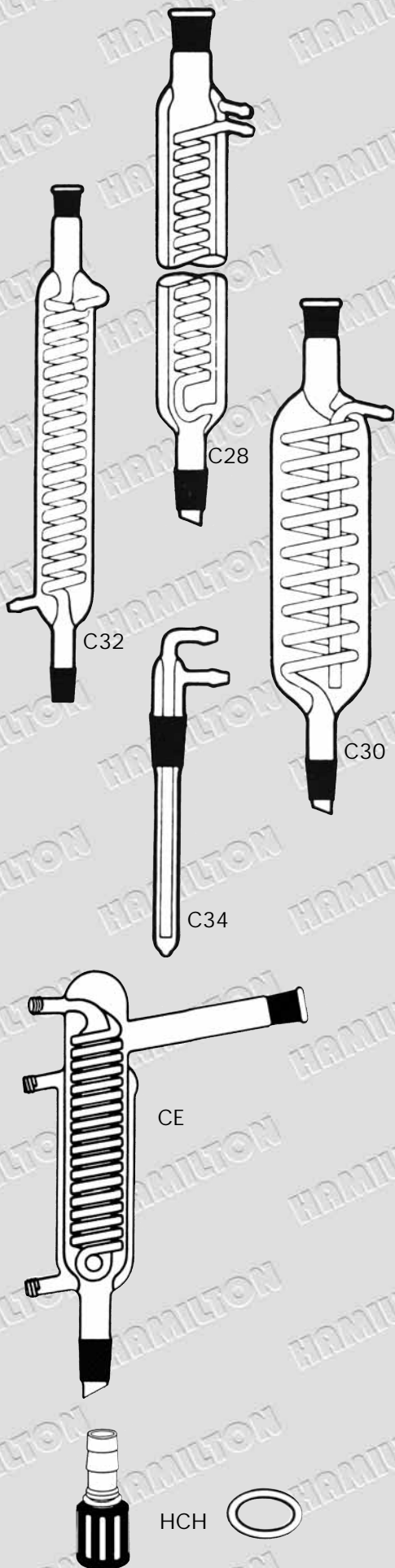


C22

C24

C26

Condensers



Jacketed Coil Condensers

Effective length mm	Socket size	Cone size	Catalogue Ref.
150	19/26	19/26	C28/2
150	24/29	24/29	C28/4
150		34/35	C28/6
150		40/38	C28/8

Distillate Coil Condensers

Effective length mm	Socket size	Cone size	Catalogue Ref.
150	14/23	14/23	C32/2

Inland Revenue Condensers

Effective length mm	Socket size	Cone size	Catalogue Ref.
200	19/26	19/26	C30/2
200	24/29	24/29	C30/4

Coil Finger Reversible

Effective length mm	Cone size	Catalogue Ref.
120	14/23	C34/2
130	19/26	C34/4

Condenser Ether

Suitable for condensing volatile liquids

Socket Size	Cone size	Effective length	Overall length	length of side tube	Catalogue ref.
19/26	24/29	165	315	205	CE/1

Screwthread safety connector

To suit thread	Catalogue Ref.
GL13	HCH13/1
GL18	HCH18/2
SPARE O RING	
GL13	HCH13/00
GL18	HCH18/00

All condensers can be supplied with plastic nozzles if required. Please add Part No. to Cat. No.

Loose Body Liebig and other forms made to order. Please apply for details.

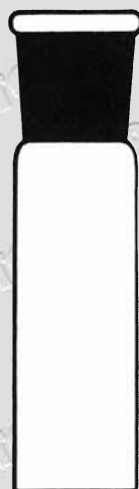
Inter-Joints



**Robust Construction Precision Ground
Conforms to B.S. 572
Cones, Plain End**



C1



S10



C5

Joint size	Approx. shank length mm	Catalogue Ref.
7/16	110	CI - 7/16
10/19	110	CI - 10/19
14/23	110	CI - 14/23
19/26	110	CI - 19/26
24/29	110	CI - 24/29
29/32	110	CI - 29/32
34/35	110	CI - 34/35
40/38	110	CI - 40/38
45/40	110	CI - 45/40
50/42	110	CI - 50/42
55/44	110	CI - 55/44

.Sockets, Rolled Shoulder

Joint size	Approx. shank length mm	Catalogue Ref.
7/16	110	S10-7/16
10/19	110	S10-10/19
14/23	110	S10-14/23
19/26	110	S10-19/26
24/29	110	S10-24/29
29/32	110	S10-29/32
34/35	110	S10-34/35
40/38	110	S10-40/38
45/40	110	S10-45/40
50/42	110	S10-50/42
55/44	110	S10-55/44

Cones, Skirted

Joint size	Approx. shank length mm	Catalogue Ref.
10/19	110	C5 - 10/19
14/23	110	C5 - 14/23
19/26	110	C5 - 19/26
24/29	110	C5 - 24/29
29/32	110	C5 - 29/32
34/35	110	C5 - 34/35
40/38	110	C5 - 40/38
45/40	110	C5 - 45/40
55/44	110	C5 - 55/44

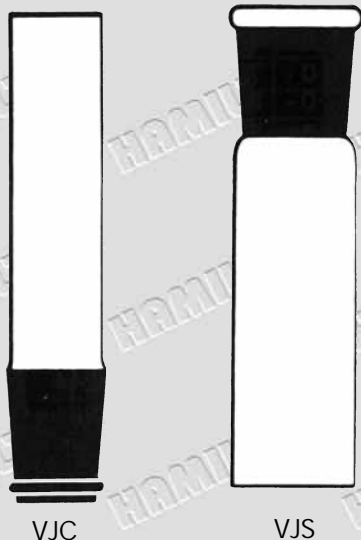
Cones & Sockets

Double, Skirted Double and Short Shank made to order.

Inter-Joints



Interchangeable, Greaseless
High Vacuum Joints
With P.T. F. E. or Viton 'O' Ring
Cones, Plain End

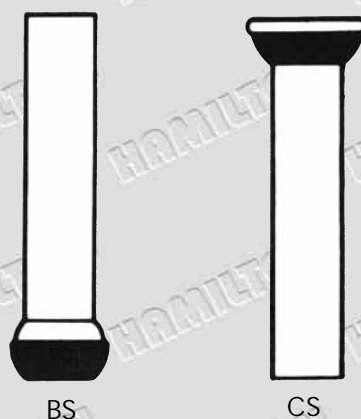


Joint size	Approx. shank length mm	Catalogue No.
14	90	VJC/14
19	90	VJC/19
24	90	VJC/24
29	90	VJC/29

Sockets

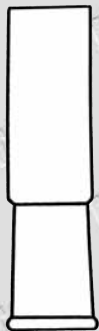
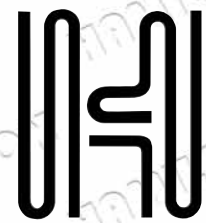
Joint size	Approx. shank length mm	Catalogue No.
14	90	VJS/14
19	90	VJS/19
24	90	VJS/24
29	90	VJS/29

Spherical Joints



Joint size	Approx. Shank length mm	Catalogue No.		
		balljoint	cupjoint	Clip
S13	100	BS/1	CS15/13	CC613
S19	100	BS/19	CS15/19	CC619
S29	100	BS/29	CS15/29	CC629
S35	100	BS/35	CS15/35	CC635
S41	100	BS/41	CS15/41	CC641
S51	120	BS/51	CS15/51	CC651

Inter-Joints



SA



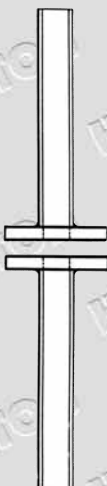
CA



CA5



JS



FJ

A Length Sockets

Catalogue No.

- SA 10/30
- SA 14/35
- SA 19/38
- SA 24/40
- SA 29/42
- SA 34/45
- SA 40/50
- SA 45/50

A Length Cones

Catalogue No.

- CA 10/30
- CA 14/35
- CA 19/38
- CA 24/40
- CA 29/32
- CA 34/45
- CA 40/48
- CA 45/50

A Length Skirted Cones

Catalogue No.

- CA5 10/35
- CA5 14/35
- CA5 19/38
- CA5 24/40
- CA5 29/42
- CA5 34/45
- CA5 40/48
- CA5 45/50

Sockets with Cup

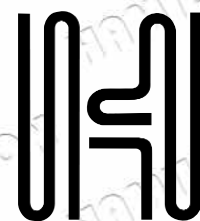
Catalogue No.

- JS B10/19
- JS B12/21
- JS B14/23
- JS B19/26
- JS B24/29
- JS B29/32
- JS B34/35
- JS B40/38
- JS B45/40
- JS B50/42
- JS B55/44

Flat Flange Joints

Approx Bore mm	Flange Dia mm	Shank Dia mm	Catalogue No
10	30	15	FJ/10
25	55	28	FJ/25
35	70	42	FJ/35
50	85	56	FJ/50
75	120	85	FJ/75
100	150	110	FJ/100

Stoppers



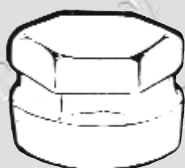
SG1



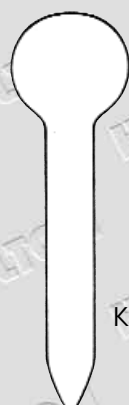
SG2



SG3



SG5



KS1



SP

Flask Stoppers, C Length

Size	Catalogue Ref.	Size	Catalogue Ref.
10/13	SG1/2	29/22	SG1/8
12/14	SG1/3	34/23	SG1/9
14/15	SG1/4	40/26	SG1/10
16/16	SG1/5	45/28	SG1/11
19/17	SG1/6	50/30	SG1/12
24/20	SG1/7	55/32	SG1/13

Flask Stoppers, B Length

Size	Catalogue Ref.	Size	Catalogue Ref.
10/19	SG2/2	34/35	SG2/8
12/21	SG2/3	40/38	SG2/9
14/23	SG2/4	45/40	SG2/10
19/26	SG2/5	50/42	SG2/11
24/29	SG2/6	55/44	SG2/12
29/32	SG2/7		

Flask Stoppers, B Length, with drip centre

Size	Catalogue Ref.	Size	Catalogue Ref.
10/19	SG3/2	34/35	SG3/8
12/21	SG3/3	40/38	SG3/9
14/23	SG3/4	45/40	SG3/10
19/26	SG3/5	50/42	SG3/11
24/29	SG3/6	55/44	SG3/12
29/32	SG3/7		

Weighing Bottle Stoppers

Size mm	Catalogue Ref.
12	SG5/2
19	SG5/3
24	SG5/4
29	SG5/5
34	SG5/6
45	SG5/7
55	SG5/8

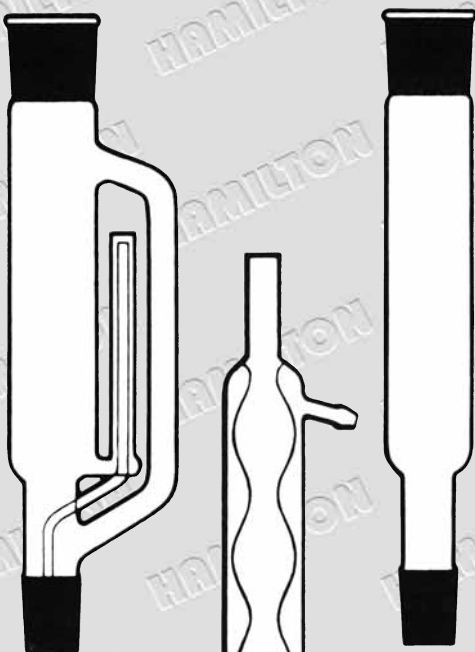
Polypropylene Stoppers

Size mm	Catalogue Ref.
10/13	SP/1
12/14	SP/2
14/15	SP/3
16/16	SP/4
19/17	SP/5
24/20	SP/6

Kjeldahl Stoppers

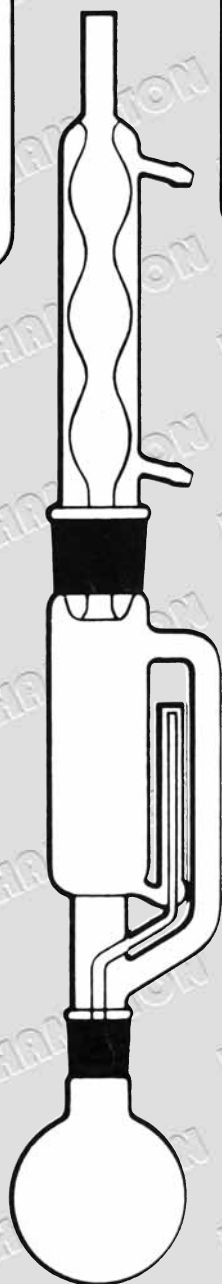
Kjeldahl Stopper	KS1/1
------------------	-------

Extractors



EX1

EX2



EX2L



EX2S

Soxhlet Extractors. B.S.2071 Type 2

Capacity ml.	Socket size	Cone size	Catalogue Ref.
40	29/32	24/29	EX1/1
60	34/35	24/29	EX1/2
60	34/35	34/35	EX1/3
100	40/38	24/29	EX1/4
200	50/42	24/29	EX1/5

Plain Body Extractors

Capacity ml.	Overall length mm	Socket size	Cone size	Catalogue Ref.
60	240	34/35	24/29	EX2/2
60	250	34/35	34/35	EX2/4
100	250	45/40	24/29	EX2/6
200	260	55/44	24/29	EX2/8

Liners

For Plain Body Extractors

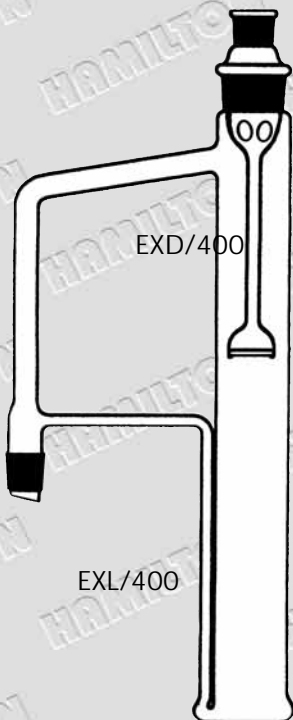
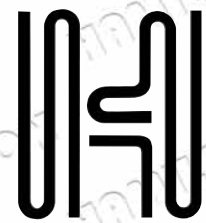
To fit	Catalogue Ref.
EX2/2	EX2U2
EX2/4	EX2U4
EX2/6	EX2U6
EX2/8	EX2U8

Septa

For Plain Body Extractors

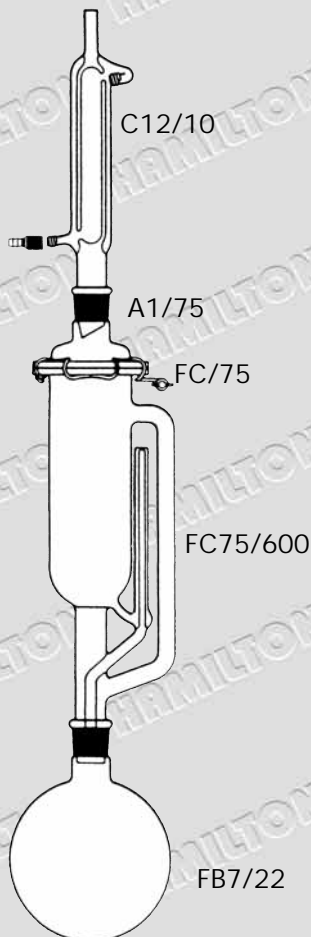
To fit	Catalogue Ref.
EX2/2	EX2S/2
EX2/4	EX2S/4
EX2/6	EX2S/6
EX2/8	EX2S/8

Extractors



Extractors

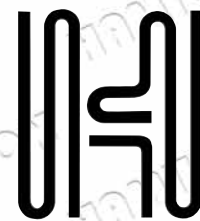
Extractor	Distributor	Nominal capacity ml	Socket size	Cone size	Approx overall height mm
EXL/400	EXD/400	400	.34/35	.24/29	.890
EXL/1000	EXD/1000	1000	.55/44	.34/35	.650



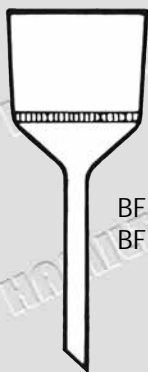
Soxhlet	Capacity ml	Flange Bore mm
FC75/600	.600	75
FC100/21	.2000	100

Please refer to Condensers and Flasks for a choice of compatible components.

Filter Funnels



BFJ3
BFJ4



BF3
BF4



HFJ3
HFJ4



HF3
HF4

Büchner

With interchangeable ground glass joint
Catalogue Ref.

Approx. Cone size	Disc Diameter mm	Porosity 3	Porosity 4
19/26	65	BFJ3/12	BFJ4/12
24/29	65	BFJ3/13	BFJ4/13
29/32	65	BFJ3/14	BFJ4/14

Büchner

Plain Stem

Catalogue Ref.

Approx. Diameter mm	Disc Diameter mm	Porosity 3	Porosity 4
30		BF3/20	BF4/20
45		BF3/21	BF4/21
60		BF3/22	BF4/22

Hirsch

With interchangeable ground glass joint

Catalogue Ref.

Approx. Cone size	Disc Diameter mm	Top Diameter mm	Porosity 3	Porosity 4
19/26	20	50	HFJ3/28	HFJ4/28

Hirsch

Plain Stem

Catalogue Ref.

Approx. Diameter mm	Disc Diameter mm	Top Diameter mm	Porosity 3	Porosity 4
20		50	HF3/34	HF4/34
30		50	HF3/35	HF4/35

Flasks



FB1



FB2
FB3



FB5

Flat Bottom Flasks

Short Neck

Capacity ml.	19/26 Neck	Catalogue Ref.		
		24/29 Neck	29/32 Neck	34/35 Neck
50	FB1/1	FB1/6		
100	FB1/2	FB1/7	FB1/13	FB1/20
150	FB1/3	FB1/8	FB1/14	FB1/21
250	FB1/4	FB1/9	FB1/15	FB1/22
500	FB1/5	FB1/10	FB1/16	FB1/23
1000		FB1/11	FB1/17	FB1/24
2000		FB1/12	FB1/18	FB1/25

Flat Bottomed Flasks

Medium Neck

Capacity ml.	19/26 Neck	Catalogue Ref.		
		24/29 Neck	29/32 Neck	34/35 Neck
100		FB2/2		
150		FB2/3		
250	FB2/1	FB2/4	FB2/7	
500		FB2/5	FB2/8	
1000		FB2/6	FB2/9	
2000				FB2/10

Flat Bottom Flasks

Standard 24/29 Neck

Uniform height, for use with standard wash-bottle heads

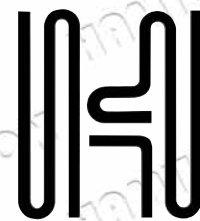
Capacity ml.	Neck size	Catalogue Ref.
500	24/29	FB3/1
1000	24/29	FB3/2
2000	24/29	FB3/3

Kjeldahl Flasks

Standard 24/29 Neck

Capacity ml.	Neck size	Catalogue Ref.
50	24/29	FB5/1
100	24/29	FB5/2
200	24/29	FB5/3
300	24/29	FB5/4
500	24/29	FB5/5
800	24/29	FB5/6

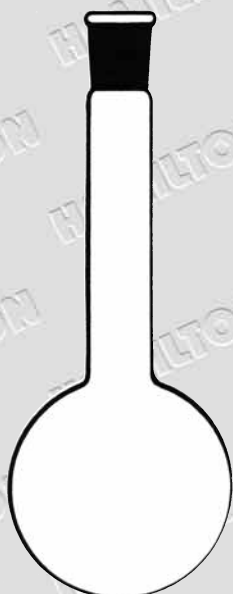
Flasks



FB7



FB9



FB11

Round Bottom Flasks

Short Neck

Capacity ml.	Neck	Catalogue Ref.	Neck	Neck	Neck
5	10/19	FB7/1	FB7/3	14/23	19/26
10			FB7/4	24/29	
25	FB7/2	FB7/5	FB7/8	FB7/15	
50		FB7/6	FB7/9	FB7/16	
100		FB7		FB7/17	
150			FB7/11	FB7/18	
250			FB7/12	FB7/19	
500			FB7/13	FB7/20	
1000			FB7/14	FB7/21	
2000				FB7/22	
3000				FB7/23	

Round Bottom Flasks

Short Neck

Capacity ml.	Neck	Catalogue Ref.	Neck	Neck	Neck
100	29/32	FB7/24	FB7/30	34/35	45/40
150		FB7/25	FB7/31		55/44
250	FB7/26	FB7/32			
500	FB7/27	FB7/33	FB7/38		
1000	FB7/28	FB7/34	FB7/39		
2000	FB7/29	FB7/35			
3000		FB7/36	FB7/40		
5000		FB7/37	FB7/41	FB7/42	

Round Bottom Flasks

Medium Neck

Capacity ml.	Neck	Catalogue Ref.	Neck	Neck	Neck
50	14/23	FB9/1	FB9/5	19/26	24/29
100	34/35	FB9/2	FB9/6		29/32
250		FB9/3	FB9/7		
500		FB9/4	FB9/8	FB9/11	FB9/13
1000			FB9/9	FB9/12	FB9/14
2000			FB9/10		FB9/15

Round Bottom

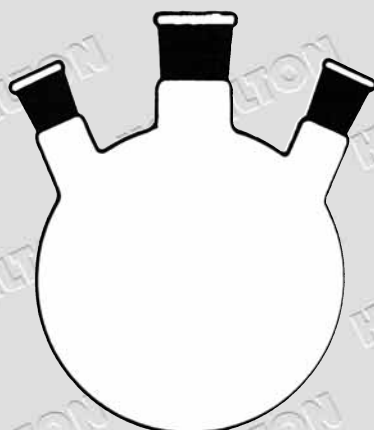
Long Neck

Capacity ml.	Neck size	Catalogue Ref.
100	24/19	FB11/1
50	24/19	FB11/2
500	24/19	FB11/3
1000	24/19	FB11/4

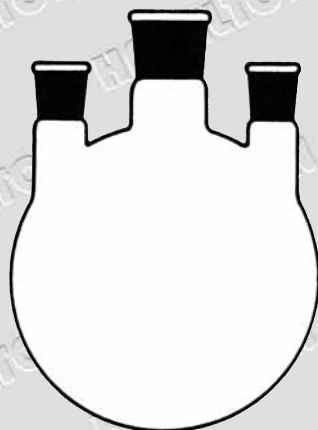
Flasks



FB13



FB15



FB17

Round Bottom With Side Necks

One side-neck at angle

Capacity ml.	Centre neck size	Side neck size	Catalogue Ref.
100	24/29	14/23	FB13/1
250	24/29	14/23	FB13/2
250	24/29	19/26	FB13/3
500	24/29	14/23	FB13/4
500	24/29	19/26	FB13/5
1000	24/29	14/23	FB13/6
2000	34/35	19/26	FB13/7

Three Necks

Two side-necks at angle

Capacity ml.	Centre neck size	Side neck size	Catalogue Ref.
250	24/29	14/23	FB15/1
250	24/29	19/26	FB15/2
500	24/29	14/23	FB15/3
500	24/29	19/26	FB15/4
1000	24/29	14/23	FB15/5
1000	24/29	19/26	FB15/6
1000	34/35	19/26	FB15/7
2000	24/29	19/26	FB15/8
2000	34/35	19/26	FB15/9

Three Necks Parallel

Capacity ml.	Centre neck size	Side neck size	Catalogue Ref.
250	24/29	19/26	FB17/1
500	24/29	19/26	FB17/2
1000	24/29	19/26	FB17/3
1000	34/35	19/26	FB17/4
2000	24/29	19/26	FB17/5
2000	34/35	19/26	FB17/6
2000	34/35	24/29	FB17/7
3000	34/35	19/26	FB17/8
3000	34/35	24/29	FB17/9
5000	34/35	24/29	FB17/10

Florentine Flasks made to order. Prices on application.

Angle of side-necks set to bottom-centre of flask

Flasks



FC2



FF



F

Conical Flasks

With Ground Neck

Capacity ml.	Catalogue Ref.				
	10/19 Neck	14/23 Neck	19/26 Neck	24/29 Neck	29/32 Neck.
5	FC2/1	-----	-----	-----	-----
10	FC2/3	FC2/7	-----	-----	-----
25	FC2/5	FC2/9	-----	-----	-----
50	-----	FC2/11	FC2/15	-----	-----
100	-----	FC2/13	FC2/17	FC2/21	FC2/29
250	-----	-----	FC2/19	FC2/23	FC2/31
500	-----	-----	-----	FC2/25	FC2/33
1000	-----	-----	-----	FC2/27	FC2/35

Büchner Filter Flasks

Capacity ml.	Neck size	Catalogue Ref.
100	19/26	FF/1
100	24/29	FF/2
250	24/29	FF/3
250	29/32	FF/4
500	24/29	FF/5
500	29/32	FF/6
1000	24/29	FF/7
1000	29/32	FF/8
1000	34/35	FF/9

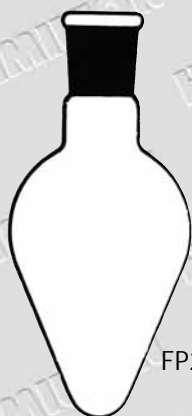
Please refer to page 42 for a complete list of polypropylene or ground glass stoppers to fit
Please order separately.

Alternative screw cap conical flasks are available. Details on request.

Iodine Flasks

Capacity ml.	Catalogue Ref.	
	Complete with glass stoppers Neck size	
250	24/29	F/1SG
500	24/29	F/1SG

Flasks



FP2

Single Neck

Capacity ml.	Neck size	Catalogue Ref.
10	10/19	FP2/1
10	14/23	FP2/2
25	10/19	FP2/3
50	14/23	FP2/4
50	19/26	FP2/5
100	14/23	FP2/6
100	19/26	FP2/7
100	24/29	FP2/8

With Centre Neck and One Angled Side-Neck

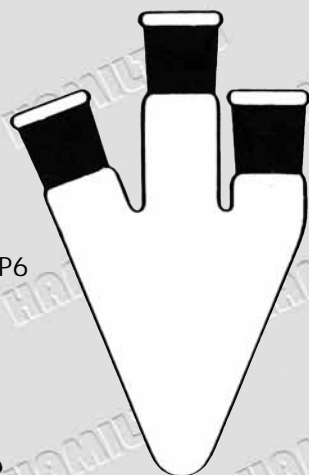
Capacity ml.	Centre neck size	Side neck size	Catalogue Ref.
25	14/23	14/23	FP4/1
50	14/23	14/23	FP4/2



FP4

With Centre Neck, One Angled Side-Neck and One Parallel Side-Neck

Capacity ml.	Centre Neck size	Side Necks size	Catalogue Ref.
25	10/19	10/19	FP6/1
50	14/23	14/23	FP6/2



FP6

Distillation

Capacity ml.	Neck size	Cone size	Catalogue Ref.
10	14/23	14/23	FP8/1
25	14/23	14/23	FP8/2
50	14/23	14/23	FP8/3
100	14/23	14/23	FP8/4

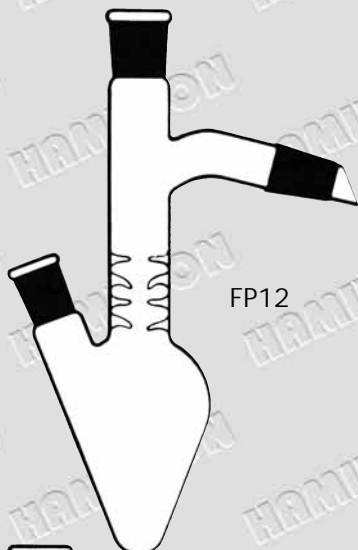


FP8

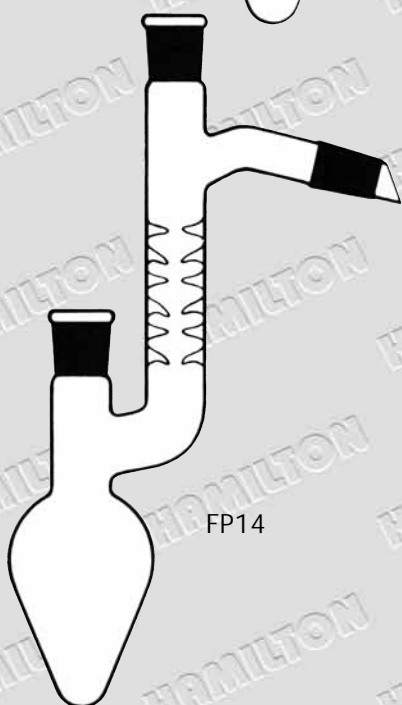
Flasks



FP10



FP12



FP14

Claisen

Capacity ml.	Neck size	Cone size	Catalogue Ref.
10	14/23	14/23	FP10/1
25	10/19	10/19	FP10/2
5	14/23	14/23	FP10/3
50	14/23	14/23	FP10/4
100	14/23	14/23	FP10/5

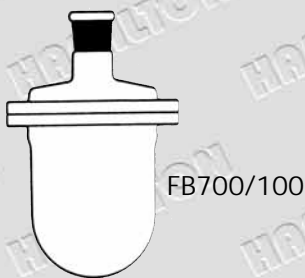
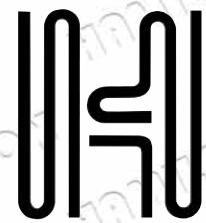
Vigreux, With Angled Side-Neck

Capacity ml.	Main Neck size	Side Cone size	Catalogue size	Ref.
10	14/23	10/19	14/23	FP12/1
25	14/23	10/19	14/23	FP12/2
50	14/23	10/19	14/23	FP12/3

Claisen Vigreux

Capacity ml.	Neck size	Cone size	Catalogue Ref.
25	14/23	14/23	FP14/1
50	14/23	14/23	FP14/2
100	14/23	14/23	FP14/3

Flasks

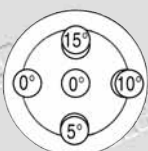


FLASKS WITH FLAT FLANGES

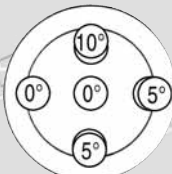
Flasks and lids Wide Neck

Wide neck flasks with flat flanges have the advantage of easy cleaning and removal of interchangeable lids with various joint sizes.

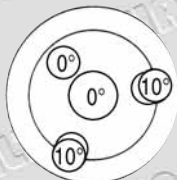
Nominal Capacity ml	Flange bore mm	Flask shape	Approx Overall height	Catalogue Ref. Clip	Catalogue Ref. Flask
250	75	Spherical	.90	.FC75	.FB250/75
500	75	Spherical	.115	.FC75	.FB500/75
700	100	Cylindrical	.135	.FC100	.FB700/100
1000	100	Spherical	.155	.FC100	.FB1L/100
2000	100	Spherical	.185	.FC100	.FB2L/100
3000	100	Spherical	.210	.FC100	.FB3L/100
4000	100	Spherical	.225	.FC100	.FB4L/100
5000	100	Spherical	.245	.FC100	.FB5L/100
6000	100	Spherical	.260	.FC100	.FB6L/100
10000	100	Spherical	.320	.FC100	.FB10L/100
20000	100	Spherical	.380	.FC100	.FB20L/100



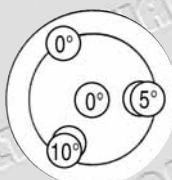
FLT/75



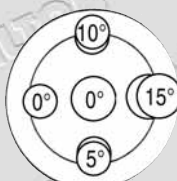
FLT10/2



FLT10/9



FLT10/3



FLT10/4
FLT10/5



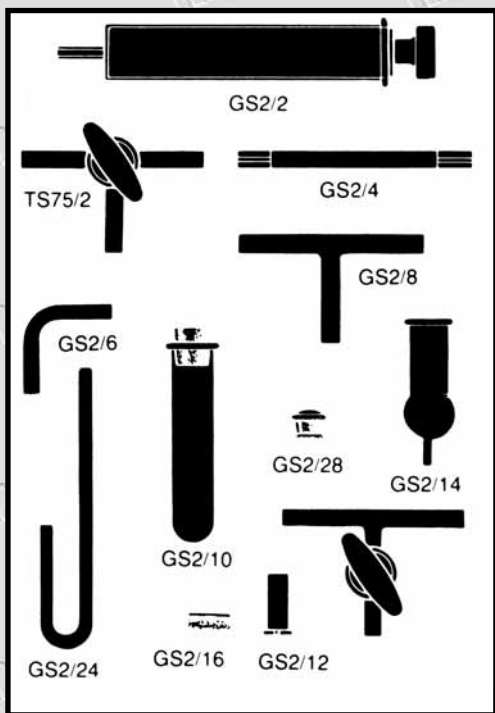
FC75/FC100

Lids with multi-joints

A comprehensive range of lids for use with above flasks, allow a wide range of procedures to be carried out with the utmost of ease.

Flange bore	Centre socket	Parallel	Side sockets			Catalogue Ref.
			5°	10°	15°	
75	19/26	14/23	19/26	19/26	19/26	.FLT/75
75	34/35	-----	-----	-----	-----	.A1/75
100	19/26	19/26	2x19/26	19/26	-----	.FLT10/2
100	19/26	19/26	24/29	19/26	-----	.FLT10/3
100	19/26	14/23	14/23	14/23	29/32	.FLT10/4
100	19/26	19/26	19/26	19/26	34/35	.FLT10/5
100	24/29	19/26	19/26	19/26	34/35	.FLT10/6
100	29/32	-----	-----	-----	-----	.A1/100
100	29/32	14/23	14/23	14/23	29/32	.FLT10/7
100	34/35	-----	-----	-----	-----	.FLT10/8
100	34/35	19/26	-----	2x19/26	-----	.FLT10/9

Gas syringe apparatus

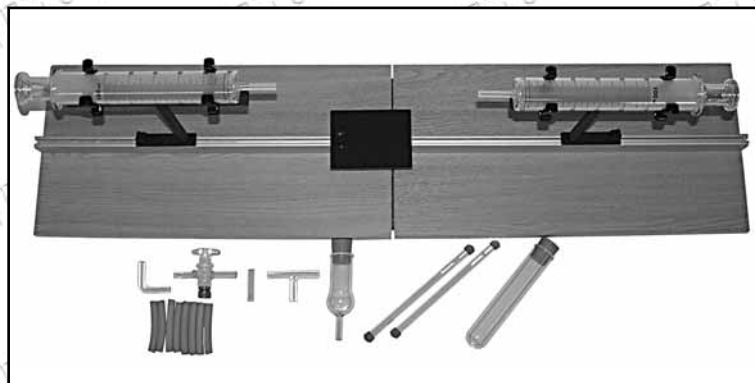


Components

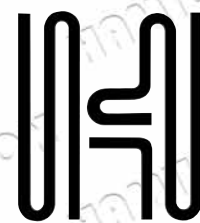
	Cat. No.	Set 100	Set 200
Stopcock (3 way)	TS75/2	1	2
Gas Syringe 1 00 ml.	GS2/2	2	3
Silica Tubes with Plugs	GS2/4	2	2
Bent Tube	GS2/6	1	1
'T' Tube	GS2/8	1	1
Test Tube 6" x 1"	GS2/10	1	1
Pinhole Tube	GS2/12	1	1
Drying Tube	GS2/14	1	1
Rubber Connectors	GS2/16	8	8
Monometer	GS2/24		1
Oven	GS2/25		
Rubber Caps (vacuum)	GS2/28		6
'T' Tube with stopcock	GS2/30		1
Thermometer 0-360 deg C	GS2/32		



Oven
GS2/25



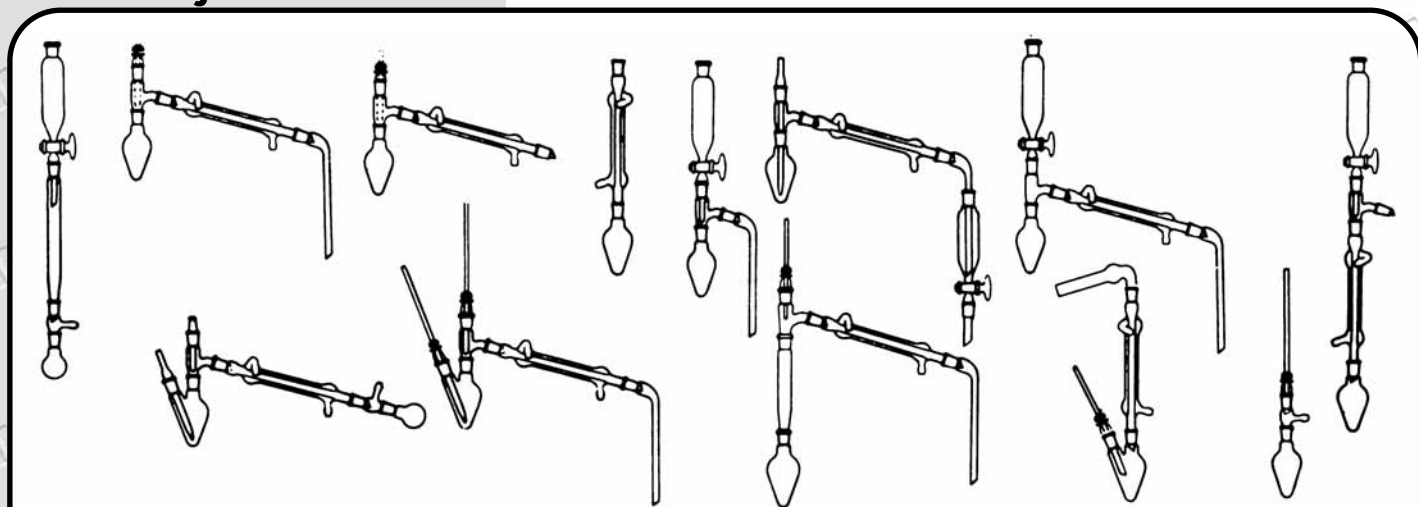
Organic Chemistry sets



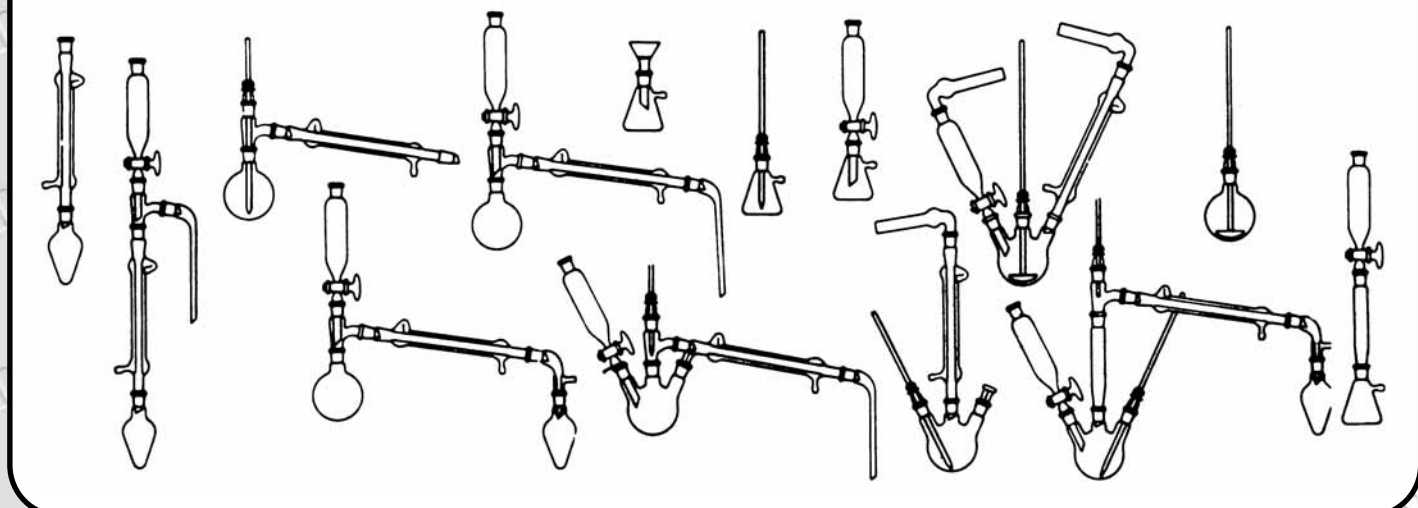
HAMILTON now offer a progressive range of semi-micro sets, designed to cover the widest range of techniques in organic chemistry. All items are made to the highest possible standards associated with Hamilton Laboratory Glass, being completely interchangeable and easily replaced should a loss or breakage occur. All items are packed in boxes with cut-out foam inserts making storage tidy and safe.

Assemblies

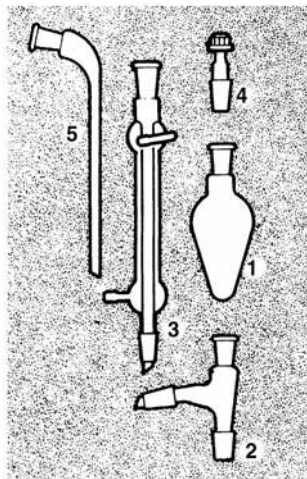
14/23 joint sets



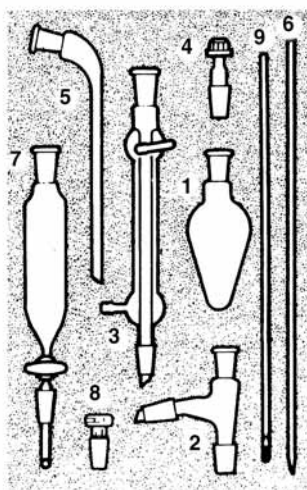
19/26 joint sets



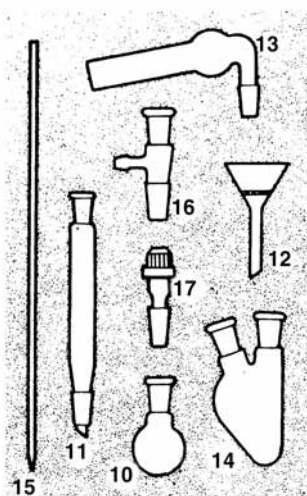
14/23 joint sets



14J2



14J4



14J4B

Semi-Micro Sets 14/23 Joint Size

14 J2

With this set a number of preparations may be carried out on a 30. g. scale, such as may be encountered in the first course of preparative organic chemistry in schools. A 14/23 joint size is used throughout, making all items interchangeable.

14 J2B

Extension kit converting 14 J2 to 14 J4 (Not illustrated).

14 J4

This set covers more fully the requirements of any educational establishment where organic chemistry is taught. The 14/23 joint size is used throughout.

14 J4B

Extension converting set 14 J4 to set 14 J6.

14 J6

Set 14 J6 contains sets 14 J4 and 14 J4B giving a complete range of semi-micro glassware necessary in preparative organic chemistry up to industrial research standard. All items have 14/23 joints.

Components 14/23

	Cat. No.
1. Pear shaped flask, 50 ml.	.FP2/4
2. Stillhead	.AS1/2
3. Liebig Condenser	.C2/4
4. Screwcap adapter	.SA2/2
5. Receiver adapter	.A20/2
6. Air leak/Steam inlet tube	.AL/2
7. Dropping funnel, 50 ml.	.FS6/50
8. Stopper	.SG2/4
9. Thermometer	.T/100
10. Round bottom flask, 25 ml.	.FP7/5
11. Air condenser/Drying tube	.C8/4
12. Sintered glass funnel	.HF2/34
13. Drying tube	.TD2/2
14. Pear shaped flask, 50 ml., with angled side neck	.FP4/2
15. Air leak/Steam inlet tube	.AL/2
16. Adapter with "T" connection	.A6/3
17. Screwcap adapter	.SA4/2

Multi-joint sets

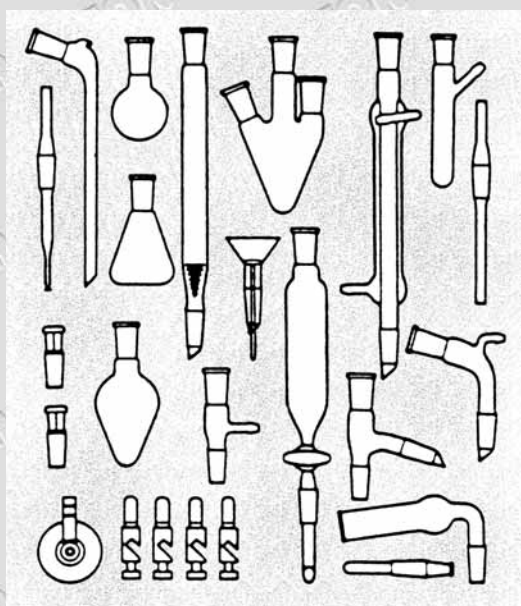


Multi-Joint Set MJ14/23

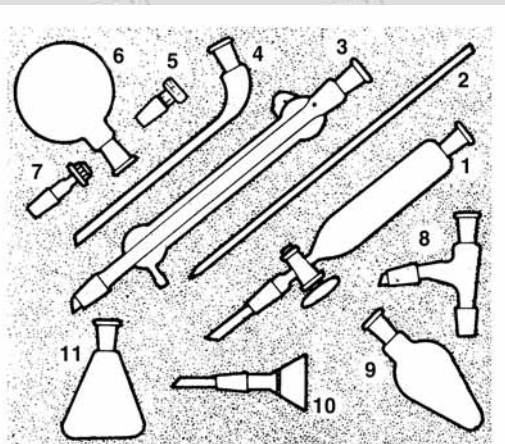
All items are packed in a box with cut-out foam inserts.

Components

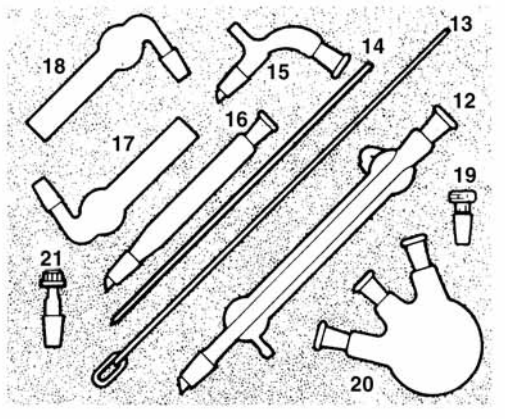
	Qty	Cat. No.
Separator Funnel 50ml	1	FS6/50
Air Leak Tube	1	AL3
Steam inlet tube	1	SI/14
Liebig Condenser	1	C2/4
Stillhead	1	AS1/2
Thermometer Pocket	1	TP2
Flask pear shaped 50ml	1	FP2/4
Flask pear shaped, three neck 50ml	1	FP6/2
Flask R.B. 50ml	1	FB7/5
Flask conical 50ml	1	FC2/11
Filter funnel	1	HF/14
Wilstatter nail	1	WN
Stöpper	2	SG2/4
Receiver with take off	1	RT/14
Bend with vent	1	A17/2
Adapter with T connection	1	A6/3
Air condenser/Fractionating column	1	C8/4
Spiral support for column	1	EX2/2
Drying tube	1	TD2/1
Long plain bend with socket only	1	A20/2
Stand	1	STD
Micro bosshead/clamp	3	MBC
Micro bosshead/clamp	1	MBC



19/26 joint sets



19J2



19J2B

Semi-Micro Sets 19/26 Joint Size

19J2

Set 19 J2 is very similar to set 14 J4, but caters for experiments on a larger scale. All joints are 19/26, being completely interchangeable and easily replaced should a loss or breakage occur.

19 J2B

This set converts set 19 J2 to 19 J4.

19 J4

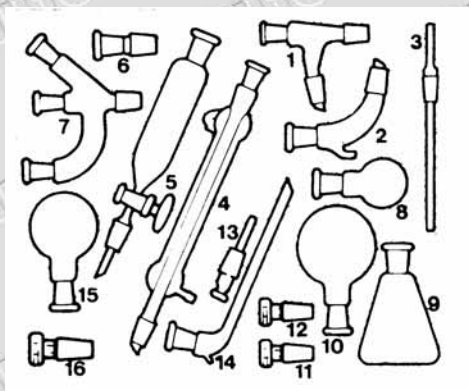
Set 19 J4 comprises of set 19 J2 and set 19 J2B. This comprehensive range allows for stirring, drying, and operations under vacuum to be carried out. Both sets have 19/26 joints and are completely interchangeable. Certain items have been duplicated enabling more than one operation to be carried out at once.

Both boxes have cut-out foam inserts enabling all components to be stored away safely.

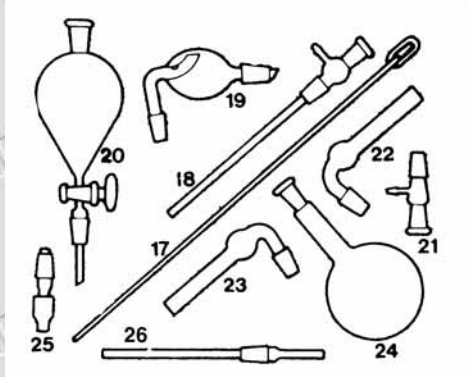
Components 19/26

	Cat. No.
1	Dropping Funnel, 100 ml. FS6/100/19
2.	Air leak/Steam inlet tube AL/2
3.	Liebig Condenser C2/6
4.	Receiver Adaptor A20/3
5.	Stopper SG2/5
6.	Round bottom flask, 250 ml. FB7/12
7.	Cone/Screwcap adaptor SA2/4
8.	Stillhead AS1/11
9.	Pear shaped flask, 100 ml. FP2/7
10.	Filter funnel, 24 mm dia. perforated plate HFJP/28
11.	Büchner flask, 100 ml. FF/1
12.	Liebig condenser C2/6
13.	Stirrer SS/2
14.	Air leak/Steam inlet tube AL/2
15.	Receiver bend with Vacuum connection A14/2
16.	Plain column C8/6
17.	Drying tube TD2/4
18.	Drying tube TD2/4
19.	Stopper SG2/5
20.	Round bottom flask 250 ml three necks FB15/10
21.	Cone/Screwcap adaptor SA2/4

Multi-joint sets



MJ 2A



MJ 2B

Multi-Joint Sets

MJ 2A

This set has the advantages of covering an extensive field of work and occupying little space when not in use. Ideal for student use in preparative organic chemistry up to the 150g. scale.

All items are packed in a box with cut-out foam inserts.

MJ 2B

The MJ 2B is an extension kit converting set MJ 2A to set MJ 2.

All items are packed in a box with cut-out foam inserts.

MJ 2

This two box set enables preparations to be carried out up to 300g. scale, providing for stirring and steam distillation.

All items are packed in a box with cut-out foam inserts.

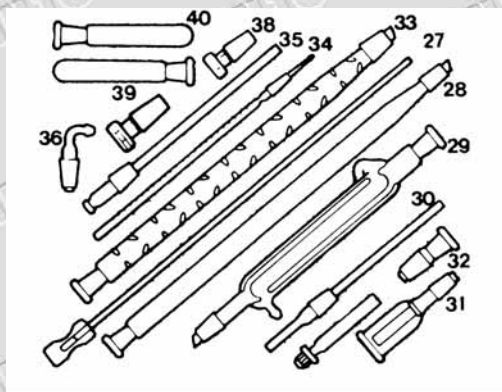
Components

	Socket size	Cone size	Cat. No.
1 Stillhead	.14/23	.19/26	.AS 1 /3
2 Receiver Adaptor	.19/26	.24/29	.A1 7/4
3 Air Leak Steam Inlet Tube	.19/26		.AL/4
4 Liebig Condenser	.19/26	.19/26	.C2/6
5 Dropping Funnel 100ml	.19/26	.19/26	.FS6/100/19
6 Reduction Adaptor	.19/26	.24/29	.A1/5
7 Multiple Adaptor	.19/26	.24/29	.A11/2
8 Flask R.B. 50ml	.24/29		.FB7/16
9 Flask Erlenmeyer 250ml	.24/29		.FC2/23
10 Flask R.B. 250ml	.24/29		.FB7/9
11 Stopper	.19/26		.SG2/5
12 Stopper	.19/26		.G2/5
13 Thermometer Pocket	.14/23		.TP/2
14 Receiver Adaptor, Bent	.24/29		.A20/3
15 Flask R.B. 100ml	.24/29		.FB7/17
16 Stopper	.24/29		.SG2/6
17 Stirrer			.SS/2
18 Stirrer Guide	.19/26	.19/26	.A6/6/X
19 Splashead	.19/26		.AS5/1
20 Separator Funnel Pear Shaped 500ml	.19/26	.19/26	.FS4/500/19
21 Adaptor with 'T' Connection	.19/26	.24/29	.A6/7
22 Drying Tube	.19/26		.TD2/4
23 Drying Tube	.19/26		.TD2/4 24
24 Flask R.B. 500ml	.24/29		.FB9/8
25 Stirrer Gland	.19/26		.G/4
26 Air Leak Steam Inlet Tube	.19/26		.AL/4

Multi-joint sets



MJ 4



MJ 4A

Multi-Joint Sets

MJ 4

An extension set which contains sets MJ 4A and MJ 4B converting set MJ 2 to MJ 6.

All items are packed in a box with cut-out foam inserts.

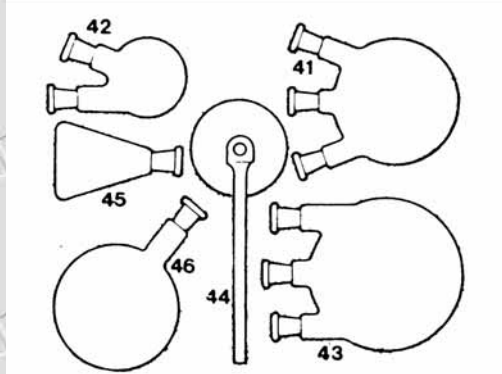
MJ 6

This set is ideal for advanced undergraduate chemists. For preparative organic chemistry up to 1 kg. scale.

(contains MJ 2 and MJ 4)

All items are packed in boxes with cut-out foam inserts.

MJ 4B

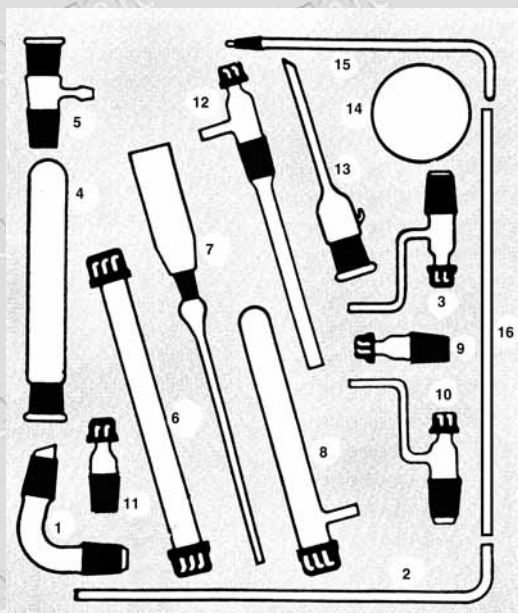


MJ 4B

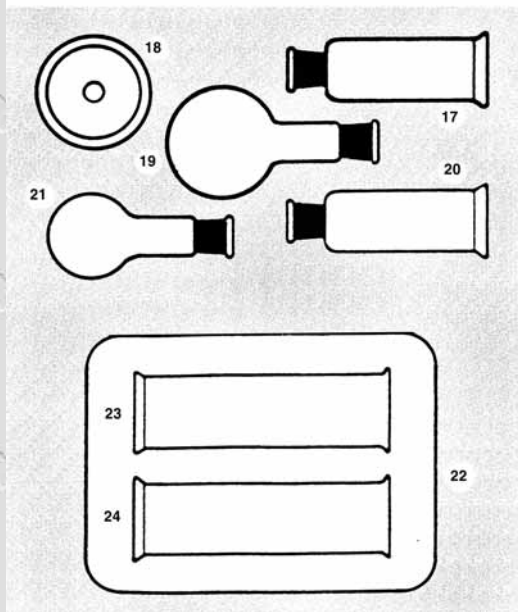
Components

	Socket size	Cone size	Cat. No.
27	Stirrer		SS/4
28	Air Condenser	19/26	19/26 .C8/10
29	Double Surface Condenser	19/26	19/26 .C16/8
30	Air Leak - Steam Inlet Tube	19/26	19/26 .AL/4
31	Ground Sleeve Stirrer Gland	19/26	19/26 .SSG/4
32	Reduction Adaptor	19/26	24/29 .A1/5
33	Vigreux Column	24/29	24/29 .CV/6
34	Thermometer 0-25 deg C	14/23	14/23 .T/110
35	Thermometer Pocket	19/26	19/26 .TP/4
36	Adaptor, Bent	19/26	19/26 .A5/2
37	Stopper	24/29	24/29 .SG2/6
38	Stopper	19/26	19/26 .SG2/5
39	Test Tube 150 x 23	19/26	19/26 .TT3/5B
40	Test Tube 150 x 23	19/26	19/26 .TT3/5B
41	Flask RB 1 Ltr. 3 neck	24/29	24/29 x219/26 .FB15/6
42	Flask RB 250ml 2necks	24/29	24/29 x219/26 .FB1 3/3
43	Flask RB 2Ltr. 3 necks	24/28	24/28 2x 19/26 .FB1 7/5
44	Stirrer Pulley		STP/4
45	Flask, Erlenmeyer 250ml	24/29	24/29 .FC2/23
46	Flask R.B. 1 Ltr.	24/29	24/29 .FB9/9/U

Multi-joint sets



HGS/1



HGS/2

Multi-Joint Set HGS

Complete kit contained in two boxes
All items are packed in a box with cut-out foam inserts.

Multi-Joint Set HGS/1

	Cat.No.
1 Recovery Bend	.AS8/6
2 Bent tube	.BT1
3 Adjustable wash bottle head	.H1/1S
4 Test tube	.TT3/6
5 'T' adapter	.A6/11
6 Combustion tube	.CT1
7 Dropping funnel 50ml	.DF50
8 Test tube with side arm	.TTS
9 Cone/screwcap adapter	.HS18/133
10 Adjustable wash bottle head	.HT/1S
11 Cone/screwcap adapter	.HS18/133
12 Gas mixing tube	.GM1
13 Delivery adapter	.A18/3
14 Two gas jar covers 75mm	.GJ2
15 Dropping funnel plug	.DP1
16 Five Glass tubes	.TT7

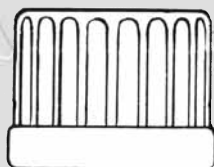
Multi-Joint Set HGS/2

17 Dreschel bottle 125ml	.B1/1
18 Beehive shelf 75ml	.BS/1
19 Flask R.B. 250ml	.FB7/19
20 Dreschel bottle 125ml	.B1/1
21 Flask, R.B. 150ml	.FB9/150
22 Plastic trough	.PT1
23 Gas jar 200mm	.GJ1
24 Gas jar 200mm	.GJ1

Screw-Cap Joints



HT



HC



HW



HP

Tubes with Threaded End

Thread size	Shank length mm	Shank O.D. mm	Shank bore mm	Catalogue No.
13	110	11.5	7.5	HT131
18	110	15.5	10.5	HT181
24	110	22.5	15.5	HT241
28	110	24.5	19.5	HT281

GL Threads

Thread size	Shank length mm	Shank O.D. mm	Shank bore mm	Catalogue No.
14	110	12.5	9.5	GHT14
18	110	15.5	11.5	GHT18
25	110	22.5	18.5	GHT25
32	110	30.5	26.5	GHT32
45	110	40.5	35.5	GHT45
75	110	70.5	63.5	GHT75
100	110	95.5	88.0	GHT100

Screw Caps, Washers and P.T.F.E. Sleeves

Screw Caps

Thread size	Insert tube diam. mm.	Catalogue No.
13	6.0 - 7.0	HC13/1
18	7.0 - 8.5	HC18/1
24	6.0 - 7.0	HC24/1
24	8.5 - 9.5	HC24/2
24	10.5 - 11.5	HC24/3
28	6.0 - 7.0	HC28/1
28	10.5 - 11.5	HC28/2
28	18.0 - 19.0	HC28/3

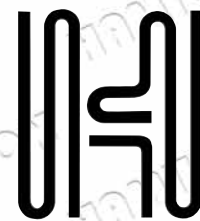
Washers

Thread size	Insert tube diam. mm.	Catalogue No.
13	6.0 - 7.0	HW13/1
18	7.0 - 8.5	HW18/1
24	6.0 - 7.0	HW24/1
24	8.5 - 9.5	HW24/2
24	10.5 - 11.5	HW24/3
28	6.0 - 7.0	HW28/1
28	10.5 - 11.5	HW28/2
28	18.0 - 19.0	HW28/3

P.T.F.E. Sleeves

Thread Size	Insert tube diam. mm.	Catalogue No.
13	6.0 - 7.0	HP13/1
18	7.0 - 8.5	HP18/1
24	6.0 - 7.0	HP24/1
24	8.5 - 9.5	HP24/2
24	10.5 - 11.5	HP24/3
28	6.0 - 7.0	HP28/1
28	10.5 - 11.5	HP28/2
28	18.0 - 19.0	HP28/3

Screw-Thread Adaptors



HS18

Adaptor with Cone & Screw-Cap

Thread size	Cone size	Insert. tube diam. mm	Catalogue No.
13	14/23	6.0 - 7.0	HS18/131
13	19/26	6.0 - 7.0	HS18/132
13	24/29	6.0 - 7.0	HS18/133
13	29/32	6.0 - 7.0	HS18/134
13	34/35	6.0 - 7.0	HS18/135
18	14/23	7.0 - 8.5	HS18/181
18	19/26	7.0 - 8.5	HS18/182
18	24/29	7.0 - 8.5	HS18/183
18	29/32	7.0 - 8.5	HS18/184
18	34/35	7.0 - 8.5	HS18/185
24	19/26	10.5 - 11.5	HS18/241
24	24/29	10.5 - 11.5	HS18/242
24	29/32	10.5 - 11.5	HS18/243
24	34/35	10.5 - 11.5	HS18/244
28	29/32	18.0 - 19.0	HS18/281
28	34/35	18.0 - 19.0	HS18/282

Adaptor with Cone & Two Screw Caps (Vertical & 90°)



HS20

Thread size	Cone size	Insert. tube diam. mm	Catalogue No.
13	14/23	6.0 - 7.0	HS20/131
18	14/23	7.0 - 8.5	HS20/181
13	19/26	6.0 - 7.0	HS20/132
18	9/26	7.0 - 8.5	HS20/182
24	24/29	10.5 - 11.5	HS20/241
24	29/32	10.5 - 11.5	HS20/242
28	29/32	18.0 - 19.0	HS20/281
24	34/35	10.5 - 11.5	HS20/243
28	34/35	18.0 - 19.0	HS20/282

Adaptor with Cone & Three Screw-Caps (Vertical, 90°, 45°)

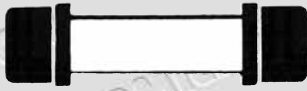


HS22

Vert.	Thread Size			Cone size	Catalogue No.
	90Deg	45Deg			
13	13	13		14/23	HS22/131
18	18	18		19/26	HS22/181
24	18	18		24/29	HS22/241
28	18	18		29/32	HS22/281
28	18	18		34/35	HS22/282

Three alternative tube sizes can be inserted into standard 24 screw caps by utilising matching washers and P.T.F.E. sleeves. Three tube diameters can be inserted into size 28 screw caps but appropriate cap, washer and sleeve must be ordered.

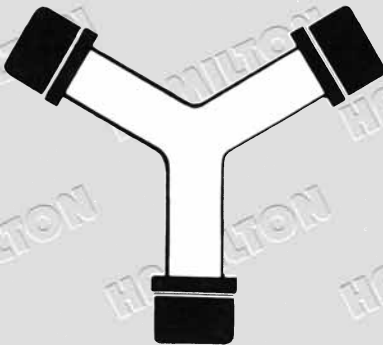
Screw-Thread Adaptors



HS10



HS12



HS14



HS16

Straight Connectors

Thread size	Length mm approx.	Insert tube diam. mm	Catalogue No.
13	75	6.0 - 7.0	HS10/131
18	80	7.0 - 8.5	HS10/181
24	100	10.5 - 11.5	HS10/241
24	230	6.0 - 7.0	HS10/242
28	120	18.0 - 19.0	HS10/281

'T' Shape Connectors

Thread size	Insert tube diam. mm	Catalogue No.
13	6.0 - 7.0	HS12/131
18	7.0 - 8.5	HS12/181
24	10.5 - 11.5	HS12/241
28	18.0 - 19.0	HS12/281

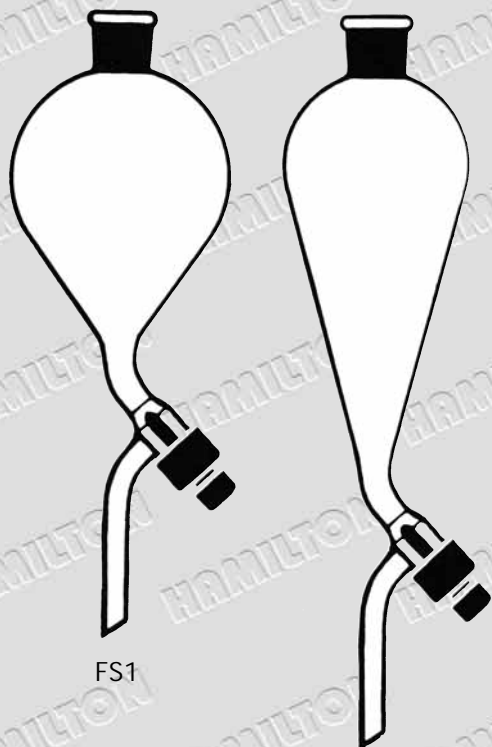
'Y' Shape Connectors

Thread size	Insert tube diam. mm	Catalogue No.
13	6.0 - 7.0	HS14/131
18	7.0 - 8.5	HS14/181
24	10.5 - 11.5	HS14/241
28	18.0 - 19.0	HS14/281

Connectors with 90° Bend

Thread size	Insert tube diam. mm	Catalogue No.
13	6.0 - 7.0	HS16/131
18	7.0 - 8.5	HS16/181
24	10.5 - 11.5	HS16/241
28	18.0 - 19.0	HS16/281

Separating Funnels



FS1

FS2



FS3

FS4

Spherical

Capacity ml.	Stopper size	Catalogue Ref.
25	14/23	FS1/25SG
50	19/26	FS1/50SG
100	19/26	FS1/100SG
250	24/29	FS1/250SG
500	24/29	FS1/500SG
1000	29/32	FS1/1000SG
2000	29/32	FS1/2000SG

Conical

Capacity ml.	Stopper size	Catalogue Ref.
50	19/26	FS2/50SG
100	19/26	FS2/100SG
250	24/29	FS2/250SG
500	24/29	FS2/500SG
1000	29/32	FS2/1000SG
2000	29/32	FS2/2000SG

Cylindrical

Capacity ml.	Stopper size	Catalogue Ref.
25	14/23	FS3/25SG
50	19/26	FS3/50SG
100	19/26	FS3/100SG
250	24/29	FS3/250SG
500	24/29	FS3/500SG
1000	29/32	FS3/1000SG

Open Top

Capacity ml.	Catalogue Ref.
50	FS4/50
100	FS4/100
250	FS4/250

FS1/FS2/FS3/FS4 fitted with interchangeable glass stopper.

Also available: Funnels only, without stoppers; quote Catalogue Ref. as above, omitting the suffix 'SG'.

Separating Funnels



FS5

FS6



FS7

FS8

Spherical

Capacity ml.	Cone size	Catalogue Ref.
25	14/23	FS5/25SG
50	19/26	FS5/50SG
100	19/26	FS5/100SG
250	24/29	FS5/250SG
500	24/29	FS5/500SG
1000	29/32	FS5/1000SG
2000	29/32	FS5/2000SG

Conical

Capacity ml.	Cone size	Catalogue Ref.
50	19/26	FS6/50SG
100	19/26	FS6/100SG
250	24/29	FS6/250SG
500	24/29	FS6/500SG
1000	29/32	FS6/1000SG
2000	29/32	FS6/2000SG

Cylindrical

Capacity ml.	Cone size	Catalogue Ref.
25	14/23	FS7/25SG
50	19/26	FS7/50SG
100	19/26	FS7/100SG
250	24/29	FS7/250SG
500	24/29	FS7/500SG
1000	29/32	FS7/1000SG

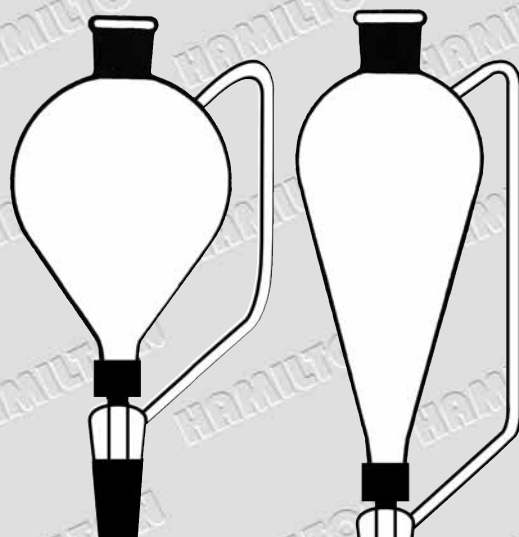
Open Top

Capacity ml.	Cone size	Catalogue Ref.
50	14/23	FS8/50
100	19/26	FS8/100
250	24/29	FS8/250

FS5/FS6/FS7/FS8 fitted with interchangeable glass stopper.

Also available: Funnels only, without stoppers; quote Catalogue Ref. as above, omitting the suffix 'SG'.

Separating Funnels With Pressure Equalising Tube



FS9

FS10

Spherical

Capacity ml.	Cone size	Catalogue Ref.
25	14/23	FS9/25SG
50	19/26	FS9/50SG
100	19/26	FS9/100SG
250	24/29	FS9/250SG
500	24/29	FS9/500SG
1000	29/32	FS9/1000SG
2000	29/32	FS9/2000SG

Conical

Capacity ml.	Cone size	Catalogue Ref.
50	19/26	FS10/50SG
100	19/26	FS10/100SG
250	24/29	FS10/250SG
500	24/29	FS10/500SG
1000	29/32	FS10/1000SG
2000	29/32	FS10/2000SG

Cylindrical

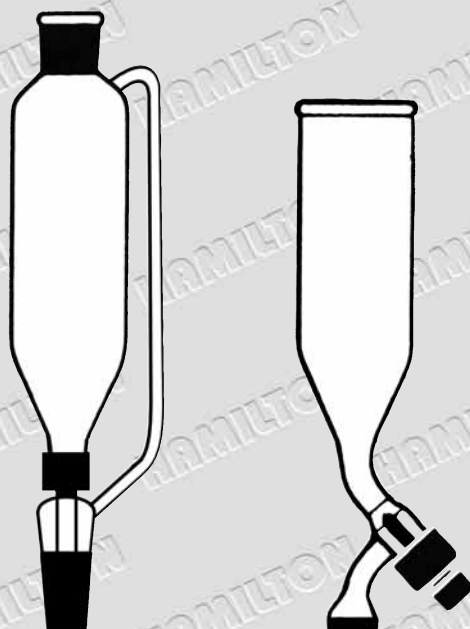
Capacity ml.	Cone size	Catalogue Ref.
25	14/23	FS11/25SG
50	19/26	FS11/50SG
100	19/26	FS11/100SG
250	24/29	FS11/250SG
500	24/29	FS11/500SG
1000	29/32	FS11/1000SG

Open Top with cone and extended stem

Capacity ml.	Cone size	Catalogue Ref.
50	14/23	FS12/50
100	19/26	FS12/100
250	24/29	FS12/250

FS9/FS10/FS11 fitted with interchangeable glass stopper.

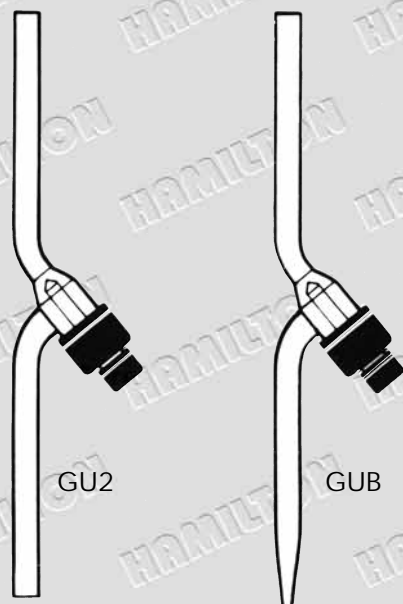
Also available: Funnels only, without stoppers; quote Catalogue Ref. as above, omitting the suffix 'SG'.



FS11

FS12

P.T.F.E. stopcocks



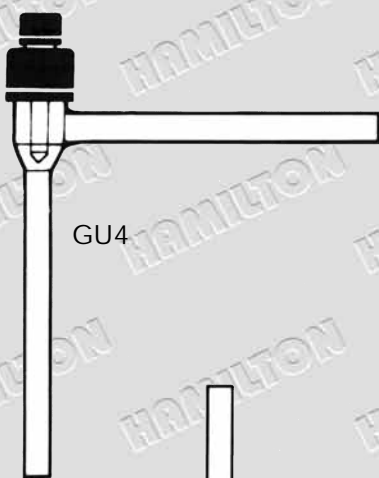
General Purpose Stopcocks

Straight, Plain Arms.

Bore mm	Catalogue No.
1	GU2/1
2	GU2/2
3	GU2/3
4	GU2/4
6	GU2/6

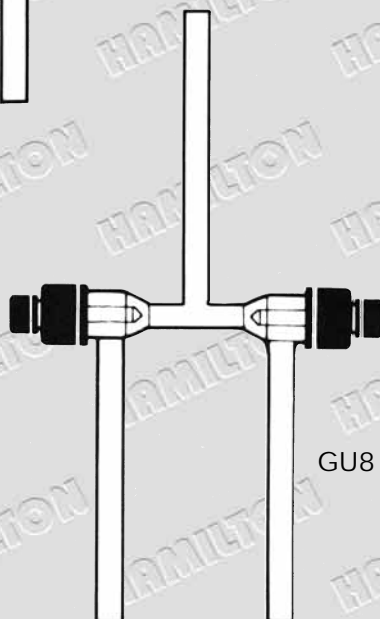
Burette Single Way

Bore mm	Catalogue No.
2	GUB/2



Right Angle

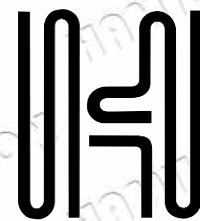
Plain Arms Bore mm	Catalogue No.
1	GU4/1
2	GU4/2
3	GU4/3
4	GU4/4
6	GU4/6



3 Way Straight Plain Arms

Bore mm	Catalogue No.
2	GU8/2
4	GU8/4
6	GU8/6

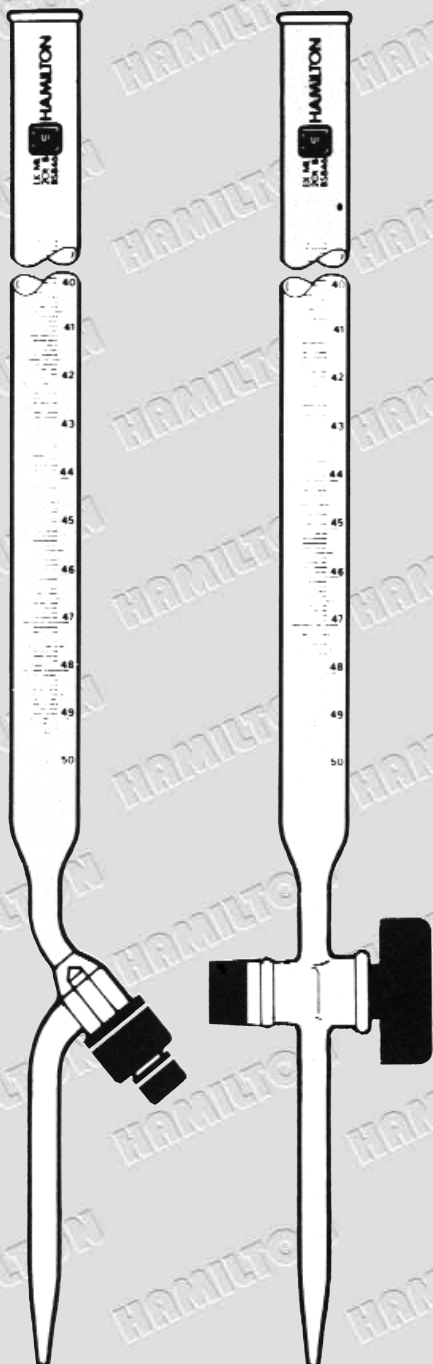
Burettes



Burettes B.S. 846 Class B

Amber graduations and inscriptions fitted with interchangeable hollow blown single-bore Hamilton 'Uni-key' stopcock as standard.

Capacity ml.	Sub Division ml.	Tolerance ± ml.	Catalogue Ref.
10.....	0.1.....	0.05	B/U/1
25.....	0.1.....	0.05	B/U/2
50.....	0.1.....	0.1	B/U/3
100.....	0.2.....	0.2	B/U/4



GUB

BU

Burettes B.S.846 Class B

Amber graduations and inscriptions fitted with general purpose P.T.F.E. stopcock.

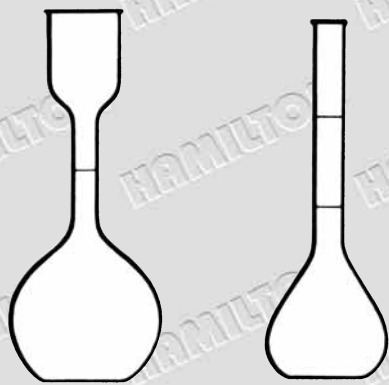
Capacity ml.	Sub Division ml.	Tolerance ± ml.	Catalogue Ref.
10.....	0.1.....	0.05	GUB/1
25.....	0.1.....	0.05	GUB/2
50.....	0.1.....	0.1	GUB/3
100.....	0.2.....	0.2	GUB/4

Volumetric flasks



F3

F5



F7

F9



F11

B.S. 1792: I.S.O.R. 1042

Complete with glass or polypropylene stoppers

ml Capacity	Tolerance ± ml.	Stopper size	Glass Stopper	Plastic Stopper
			Catalogue Ref.	Catalogue Ref.
5	0.04	10/13	F3/5SG	F3/5SP
10	0.04	10/13	F3/10SG	F3/10SP
25	0.06	10/13	F3/25SG	F3/25SP
50	0.10	10/13	F3/50SG	F3/50SP
100	0.15	12/14	F3/100SG	F3/100SP
250	0.30	14/15	F3/250SG	F3/250SP
500	0.50	16/16	F3/500SG	F3/500SP
1000	0.80	19/17	F3/1060SG	F3/100SP
2000	1.20	24/20	F3/2000SG	F3/2000SP

Wide Neck Flasks, for Sugar Analysis

Conforms to B.S. 1792 tolerances.

Fitted with one size stopper throughout, 24/20

ml Capacity	Catalogue Ref.
25	F5/25SG
50	F5/50SG
100	F5/100SG
250	F5/250SG
500	F5/500SG
1000	F5/1000SG

Kohlrusch Flasks. B.S.615

One graduation ring

ml Capacity	Tolerance ± ml.	Catalogue Ref.
50	0.06	F7/50
100	0.1	F7/100
200	0.2	F7/200

Sugar Flasks. B.S.675. Type 1

Two graduation rings

ml Capacity	Tolerance ± ml.	Catalogue Ref.
50/50	0.1	F9/55
100/110	0.15	F9/110
200/220	0.25	F9/220

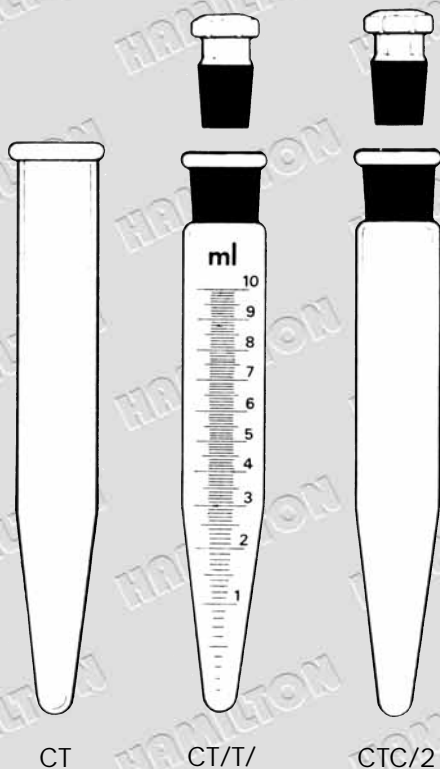
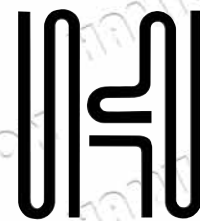
Sugar Flasks. B.S.675. Type 2

Single graduation ring, and cup top

ml Capacity	Tolerance ± ml.	Catalogue Ref.
100	0.03	F11/100

B.S. 1792 500 ml. capacity flasks are made with borosilicate glass with white ceramic markings, otherwise permanent amber stain is used on a soda lime glass form.

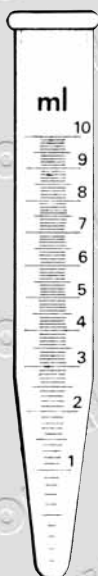
Centrifuge tubes



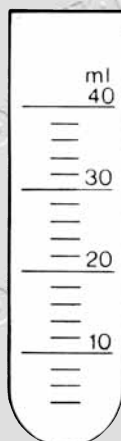
CT

CT/T/

CTC/2



CT/T/



CT/C/G

Centrifuge Tubes Borosilicate Glass

Plain Tapered Form

Size mm	Diameter mm	Style	Catalogue Ref.
110-112	16-17	Rimmed	CT/1
107-109	16-17	Rimless	CT/2

Graduated Tapered Form

with Interchangeable Ground Glass Stopper

Capacity ml.	Stopper size,	Division ml.	Tolerance ± ml.	Catalogue Ref.
10	14/15	0.1	0.2	CT/T/1 SG

Tapered Form

with Interchangeable Ground Glass Stopper

Size mm	Capacity ml. (Nominal)	Stopper size	Catalogue Ref.
110 x 16	15	14/15	CTC2/1SG

Graduated Tapered Form

Capacity ml.	Division Style	Sub Tolerance ml.	± ml.	Catalogue Ref.
10	Rimmed	0.1	0.2	CT/T/G1
10	Rimless	0.1	0.2	CT/T/G2

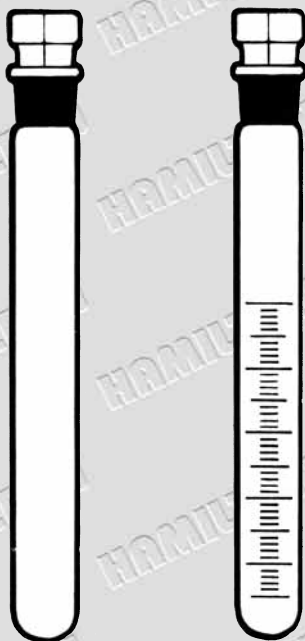
Cylindrical Form

Size mm	Capacity ml	Catalogue Ref.
83 x 16-17	10	CT/C/3
108 x 16-17	15	CT/C/4
112 x 16-17	18	CT/C/5
110 x 27-29	50	CT/C/6
170 x 30-32	100	CT/C/7

Graduated Cylindrical

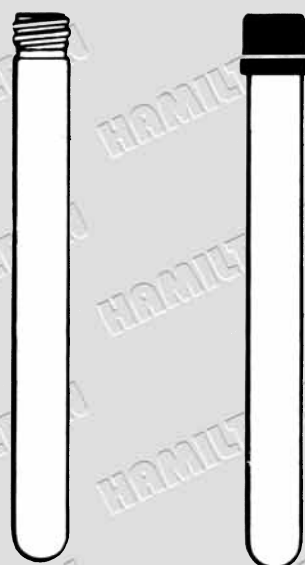
Capacity ml.	Size mm	Sub Division ml.	Tolerance ± ml.	Catalogue Ref.
40	110 x 28	2.0	0.8	CT/C/G1

Test tubes & Culture tubes



TT3

TT4



CLT

Plain

Size mm	Stopper size	Catalogue Ref.
100 x 12	C. 10/13	TT3/1SG
100 x 16	C. 14/15	TT3/2SG
125 x 16	C. 14/15	TT3/3SG
50 x 16	C. 14/15	TT3/4SG
150 x 20	C. 19/17	TT3/5SG
150 x 25	C. 24/20	TT3/6SG
200 x 25	C. 24/20	TT3/7SG
200 x 30	C. 29/22	TT3/8SG
200 x 38	C. 34/23	TT3/9SG

Also available: Tubes only, without stoppers; quote Catalogue Ref. omitting suffix 'SG'.

Test Tubes Borosilicate Glass with Interchangeable Ground Glass Stopper

Graduated

Size mm	Stopper size	MI capacity	MI divisions	Catalogue Ref.
100 x 12	C.10/13	5	0.1	TT4/2SG
25 x 16	C.14/15	10	0.2	TT4/4SG
150 x 20	C.19/17	25	0.5	TT4/6SG
200 x 25	C.24/20	50	1	TT4/8SG
200 x 30	C.29/22	100	1	TT4/10SG

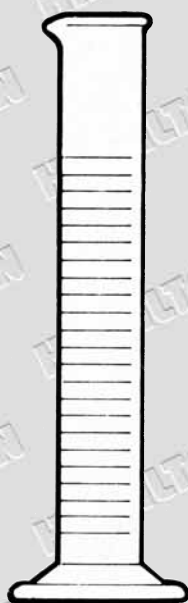
Culture Tubes

Thread size	Dimensions mm	Catalogue No.
13	110 x 12	CLT/1
18	125 x 16	CLT/2
24	150 x 22	CLT/3
28	200 x 25	CLT/4

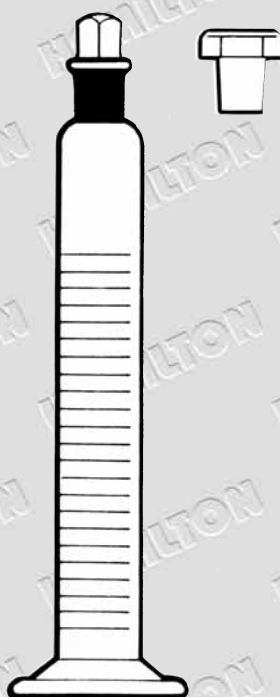
Caps for above tubes

- HC 13
- HC 18
- HC 24
- HC 28

Measuring cylinders



HM1



HM2

To B.S. 846 Class B With Spout

Capacity ml.	Tolerance \pm ml.	Sub Division ml.	Catalogue Ref
5	0.08	0.1	HM1/5
10	0.15	0.1	HM1/10
25	0.25	0.5	HM1/25
50	0.5	1.0	HM1/50
100	0.8	1.0	HM1/100
250	1.5	2.0	HM1/250
500	2.0	5.0	HM1/500
1000	4.0	10.0	HM1/1000

With Interchangeable Glass Stoppers

Capacity ml.	Tolerance \pm ml.	Sub Division ml.	Catalogue Ref.
5	0.08	0.1	HM2/5SG
10	0.15	0.1	HM2/10SG
25	0.25	0.5	HM2/25SG
50	0.5	1.0	HM2/50SG
100	0.8	1.0	HM2/100SG
250	1.5	2.0	HM2/250SG
500	2.0	5.0	HM2/500SG
1000	4.0	10.0	HM2/1000SG

With Interchangeable Plastic Stoppers

Capacity ml.	Tolerance \pm ml.	Sub Division ml.	Catalogue Ref.
5	0.08	0.1	HM3/5SP
10	0.15	0.1	HM3/10SP
25	0.25	0.5	HM3/25SP
50	0.5	1.0	HM3/50SP
100	0.8	1.0	HM3/100SP
250	1.5	2.0	HM3/250SP
500	2.0	5.0	HM3/500SP
1000	4.0	10.0	HM3/1000SP

All Hamilton measuring cylinders have reinforced robust glass bases and rims with permanent amber markings and inscriptions.

HM2/HM3 styles are available without stoppers. Just omit suffix from your order description.

White ceramic markings also available either on a soda lime or borosilicate cylinder. Please ask for details.

Pipettes



P10
P12



BP14

Pipettes with Safety Adaptor

Graduated To B.S. 700

Fast Flow Pipettes, Class B

Zero at top; delivery to jet.

5 ml. and 10 ml. sizes are constricted to permit use of cotton-plugging.

Capacity ml.	Tolerance ± ml.	Colour Coding	Catalogue Ref.
1 in 0.1	0.02	Red	P10/1
2 in 0.02	0.02	Black	P10/2
5 in 0.1	0.05	Blue	P10/5
10 in 0.1	0.1	Orange	P10/10
25 in 0.1	0.1	White	P 10/25

Serological Pipettes, Class B

Zero at top; delivery to jet.

Calibrated for blowout expulsion of last drop.

Capacity ml.	Tolerance ± ml.	Colour Coding	Catalogue Ref.
1 in 0.01	0.01	Yellow'	P12/1
2 in 0.02	0.02	Black	P12/2
5 in 0.05	0.05	Red	P12/5
10 in 0.1	0.1	Orange	P12/10
25 in 0.2	0.2	Green	P12/25

Bulb Form to B.S. 1583

Bulb Pipettes, Class B

Capacity city ml.	Tolerance	Colour Coding	Catalogue Ref.
1	0.015	Blue	BP14/1
2	0.02	Orange	BP14/2
3	0.03	Black	BP14/3
4	0.03	2 Red	BP14/4
5	0.03	White	BP14/5
10	0.04	Red	BP14/10
15	0.05	Green	BP14/15
20	0.06	Yellow	BP14/20
25	0.06	Blue	BP14/25
50	0.08	Red	BP14/50
100	0.12	Yellow	BP14/100

Hamilton Pipettes are Colour Coded in a Durable Enamel Conforming to B.S. 3996 and Appropriate International Standards.

Index

Page No's.

ABSORPTION

Towers	3
U Tubes	3
Arnold Bottles	3
Midvale	3
Nesbit	3

ADAPTORS

Reduction	4
Expansion	4
Cone to Tubing	4
Swan Neck	5
With Side Arms	5
Multiple Connections	5-6
Receiver	6
Perkins	6
Plain Bends	7
Delivery Adaptors	7

BOTTLES

Reagent	10
Laboratory	11
Drechel	12
Weighing	12

CENTRIFUGE TUBES

Conical Plain	47
Conical Graduated	47
Stoppered	47
Round Bottom Graduated	47
Round Bottom Stoppered	48
With Screwcaps	48

CONDENSERS

Liebig	13
Air	13
Allihn	13
Double Surface (Davies)	14
Coil (Graham)	14
Coil Reversible	14
Double Coil	14
Jacketed Coil	15
Distillation	15
Inland Revenue	15
Coiled finger	15
Ether	15

EXTRACTORS SOXHLETS

Type2	20
Plain Body	20
Liners	20
Septa	20
Distributors	21
Assemblies	21

FILTER FUNNELS

Buchner	22
Hirsch	22

FLASKS

Flat Bottom	23
Kjeldahl	23
Round Bottom	24
Two Neck	25
Three Neck	25
Conical	26
Buchner	26
Filter	26
Iodine	26

FLASKS FLAT FLANGE

Flasks	29
Lids to Match	29

Index

Page No's.

FLASKS PEAR SHAPED	
Two Neck	.27
Three Neck	.27
Single Neck	.27
Distillation	.27
Claisen	.28
Vigreux	.28
GAS SYRINGE APPARATUS	.30
HOSE CONNECTIONS PLASTIC	
13mm	.15
18mm	.15
JOINTS	
Open Ended Cone	.16
Sockets	.16
Cones Skirted	.16
Clear 'O' Joints	.17
Spherical Joints	.17
American Standard joints 'A' length	.18
Sockets With Cup	.18
Flat Flange	.18
MEASURING CYLINDERS	
With Spout	.49
With Stopper	.49
ORGANIC CHEMISTRY	
14/23 Assemblies	.31
Semi Micro 14/23	.32
Multi Joint 14/23	.33
Semi Micro 19/26	.34
Multi Joint 19/26	.35-36
Gas Preparation	.37
Screw Threaded Tubes	.38
Screw Threaded Adaptor	.39-40
PIPETTES	
Fast Flow	.50
Serological	.50
Bulb	.50
SEPARATING FUNNELS P.T.F.E. STOPCOCKS	
Spherical	.41
Conical	.41
Cylindrical	.41
Open Top	.41
With cone And Stem	.42
With Pressure Equalising	.43
P.T.F.E. Stopcocks	.44
SPLASH HEADS	
Vertical	.8-9
Sloping	.8
STEAM DISTILLATION	
Sloping	.9
Recovery Sloping	.9
Recovery Vertical	.9
STILL HEADS	
With Thermometer Pockets	.8
Reflux	.8
Claisen heads	.8
STOPPERS	
'C' Length	.19
'B' Length	.19
Conical Bottom	.19
Kjeldahl	.19
Weighing Bottle	.19
VOLUMETRICS	
Burettes	.45
Flasks Wide Neck	.46
Flasks Stoppered	.46
Sugar Flasks	.46
Kohlrausk Flasks	.46