

Roller Blind Systems



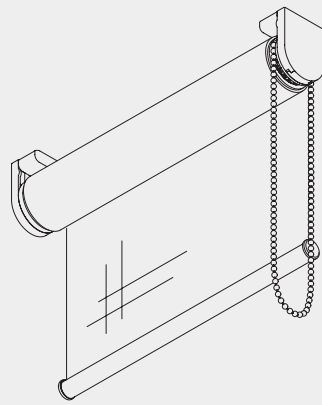
www.blindtrack.co.uk

Blindtrack
Unit 23
Orbital 25
Dwight Road
Watford
WD18 9DA
020 8421 6605
sales@blindtrack.co.uk



Chain Operated Roller Blind System

Silent Gliss® 4905

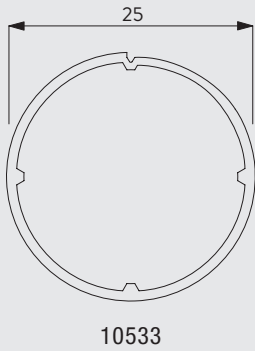


Product Information

- Small, chain operated roller blind system for residential applications.
- Silent and smooth operation with metal bead chain. The blind can be stopped at any given position.
- Easy installation with click-in brackets for fast fixing.
- Side guide option available.
- Ceiling, recess or wall fix.
- Hardware is available in 27 colours (plus silver) matched to the Colorama fabric range.
- Supplied with Colorama 1 or 2 fabric (27 colours).
- Optional integral Child Safety Device

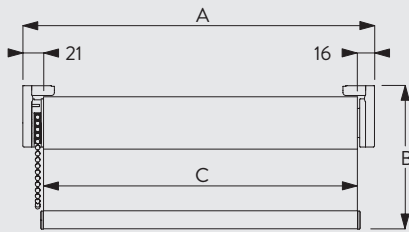
4905

Profile and Bending Information



How to Measure

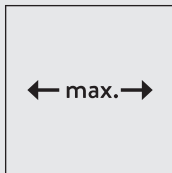
Single system



A: System width
 B: System drop
 C: Fabric width

Please note: measurements differ when side-guide option is used.

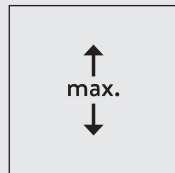
System Dimensions



1.6m



25cm



2.5m Col 1
 1.7m Col 2



4.2m² Col 1
 2.5m² Col 2



1kg
 (incl. bottom bar)

4905

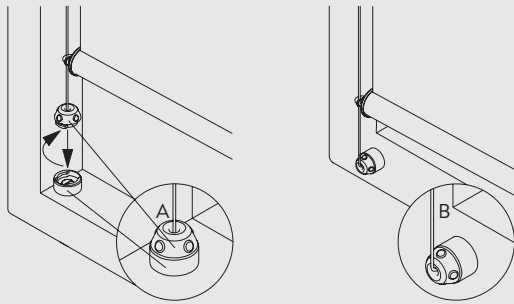
System Options

Coloured Hardware Options

System Silent Gliss 4905 is available with the visible parts, (excluding side guide components), colour matched to 27 Colorama fabric colours (plus silver). Please refer to the supporting sales literature for details of which colours are offered.

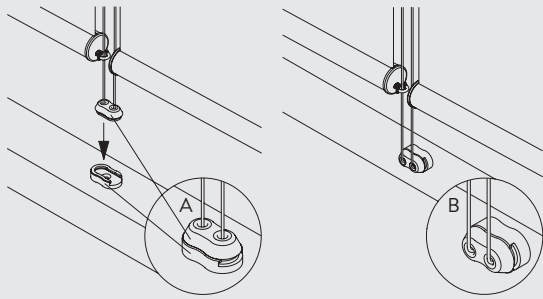
Side guides for stabilising blind system and sloped applications (up to 15°)

Single system

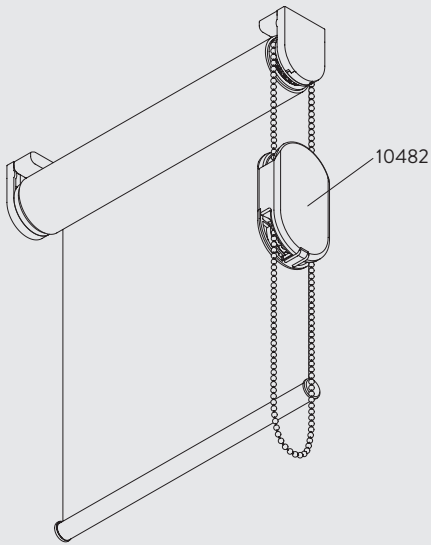


- A: Fitting of side guides inside window frame
- B: Fitting of side guides onto front of window frame

Double system



Child Safety Device

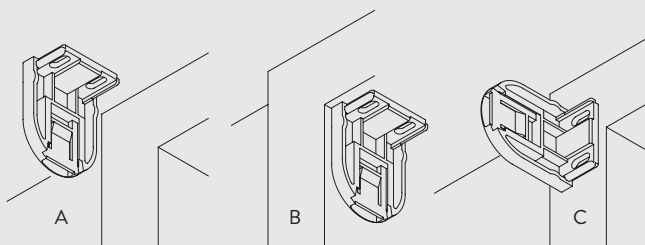


The child safety device SG 10482 releases the chain should the pulling force exceed 6kg.

4905

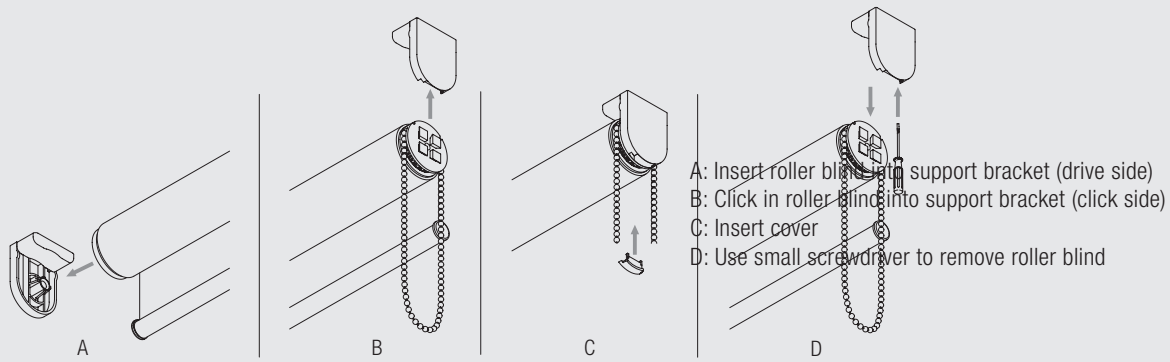
Fitting Information

Bracket positioning and basic fitting features



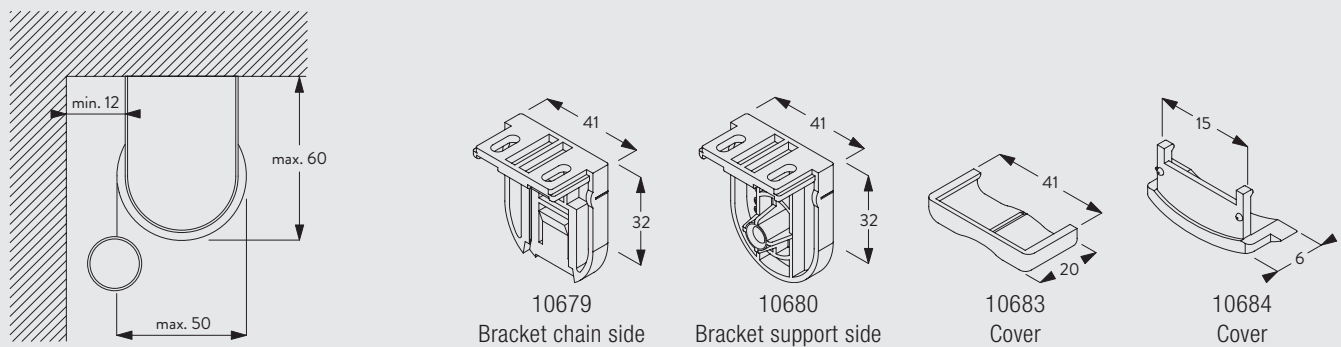
- A: Ceiling Fixing
- B: Recess Fixing
- C: Wall Fixing

Easy loading and removal of the blind



Fitting Options

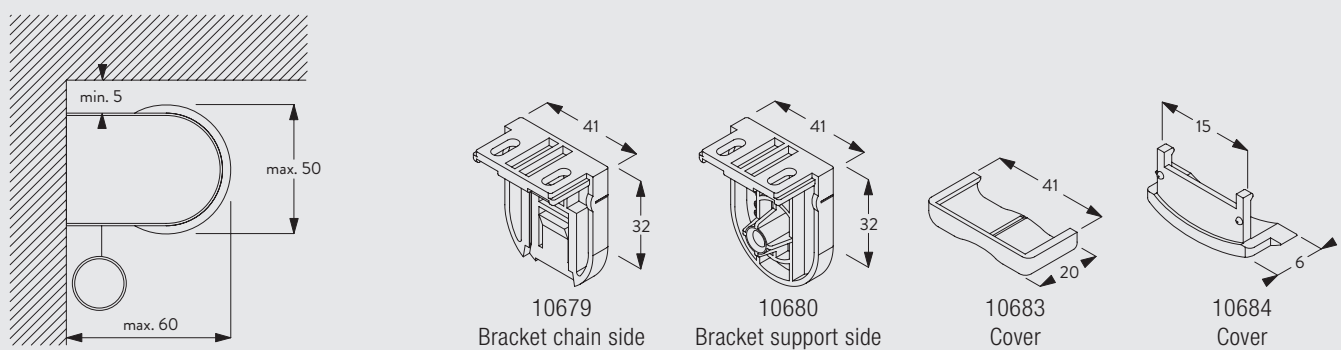
Ceiling fitting



All these measures are based on the maximum system dimensions.

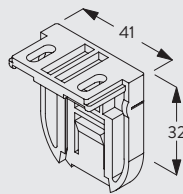
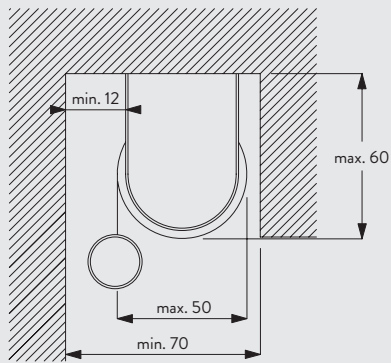
4905

Wall fitting

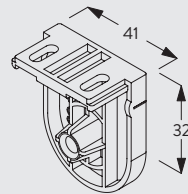


All these measures are based on the maximum system dimensions.

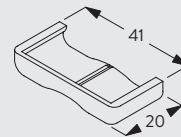
Recess fitting



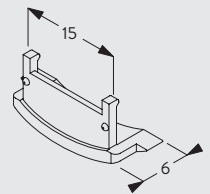
10679
Bracket chain side



10680
Bracket support side



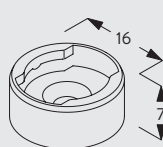
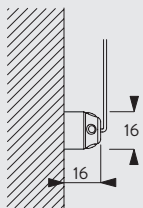
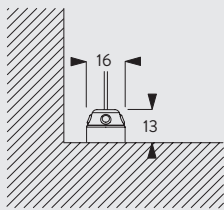
10683
Cover



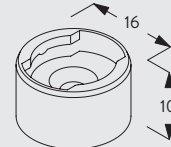
10684
Cover

All these measures are based on the maximum system dimensions.

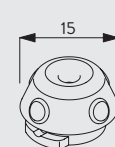
Fitting with side guide option



8235
Wire base short

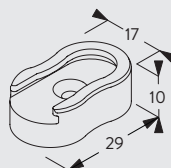
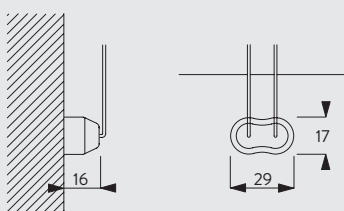
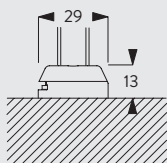


8236
Wire base long

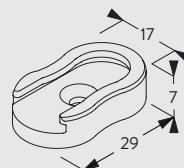


8237
Wire holder

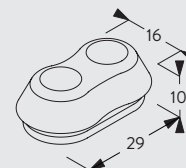
Fitting with side guide option (two separate systems)



10669
Double base long
(side guide)



10673
Double base short
(side guide)



10701
Double wire holder
(side guide)

Standard Accessories

10400 Safety Cord Retainer



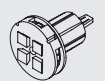
10530 Stainless steel bead chain (ø 4mm)



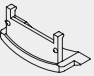



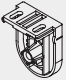
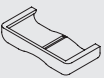

10533 Profile



10670 Chain drive



10679	Bracket chain side	
10681	Tube adapter	
10684	Cover	
10687	Weight bar	

10680	Bracket support side	
10683	Cover	
10685	Endcover round	

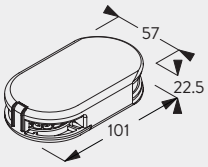
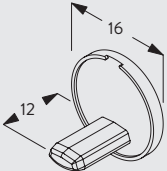
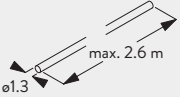
Optional Accessories

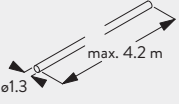

8235	Wire base short	
8237	Wire holder	
10482	Child Safety device - 4mm Metal Bead Chain	
10669	Double base long (side guide)	
10676	Device	
10701	Double wire holder (side guide)	
10709	Chain stop	

8236	Wire base long	
8249	Locking ring	
10643	Wire \varnothing 1.3mm x 4.2m (side guide)	
10673	Double base short (side guide)	
10686	End cover round (side guide)	
10706	Wire \varnothing 1.3mm x 2.6m (side guide)	

4905

Useful Measures

10482	Child Safety device - 4mm Metal Bead Chain	
10685	Endcover round	
10706	Wire \varnothing 1.3mm x 2.6m (side guide)	

10643	Wire \varnothing 1.3mm x 4.2m (side guide)	
10687	Weight bar	

4905

www.silentgliss.co.uk

www.silentglissglobal.com

Silent Gliss Ltd
Pyramid Business Park
Poorhole Lane
Broadstairs
Kent
CT10 2PT
Great Britain

Tel: +44 (0) 1843 863571
Fax: +44 (0) 1843 864503
info@silentgliss.co.uk

Silent Gliss Global Ltd
Pyramid Business Park
Poorhole Lane
Broadstairs
Kent
CT10 2PT
Great Britain

Tel: +44 (0) 1843 874250
Fax: +44 (0) 1843 874457
info@silentglissglobal.com