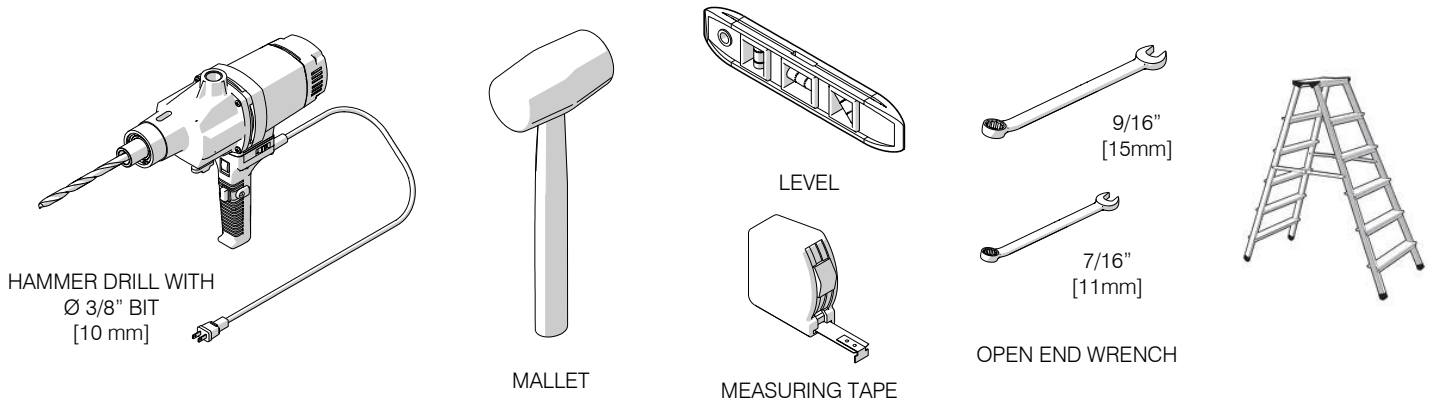
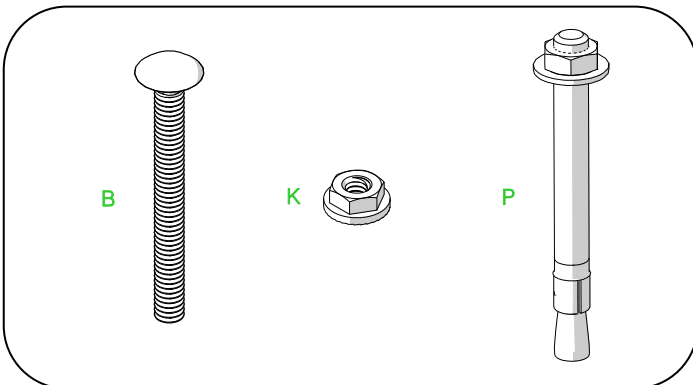


TOOLS REQUIRED:



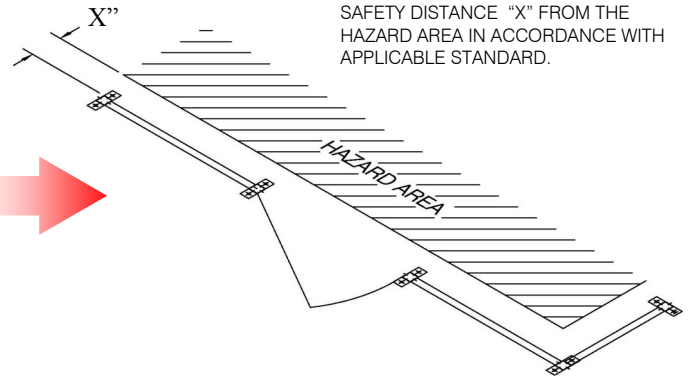
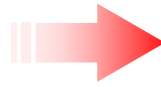
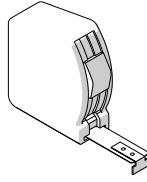
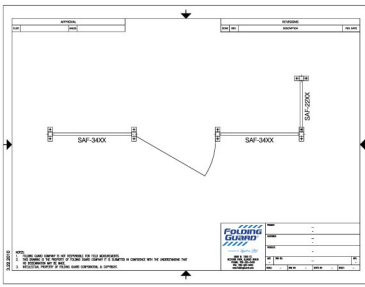
HARDWARE PROVIDED:



HARDWARE LIST

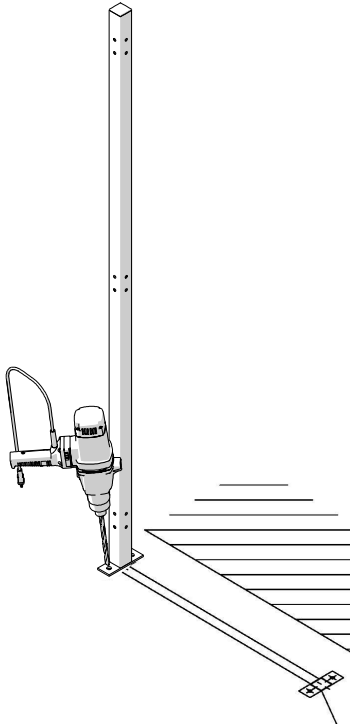
- (B) 1/4"-20 x 2-1/2" SQUARE NECK CARRIAGE BOLT
- (K) 1/4"-20 FLANGE NUT
- (P) 3/8" x 3-3/4" WEDGE ANCHOR

1

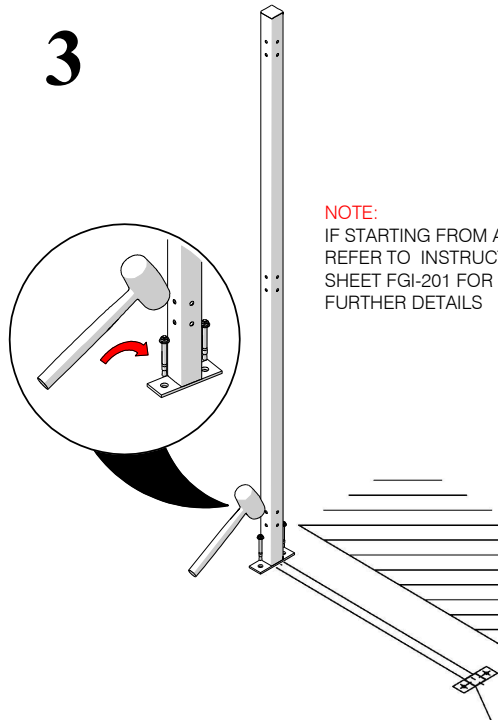


SAFETY DISTANCE "X" FROM THE HAZARD AREA IN ACCORDANCE WITH APPLICABLE STANDARD.

2

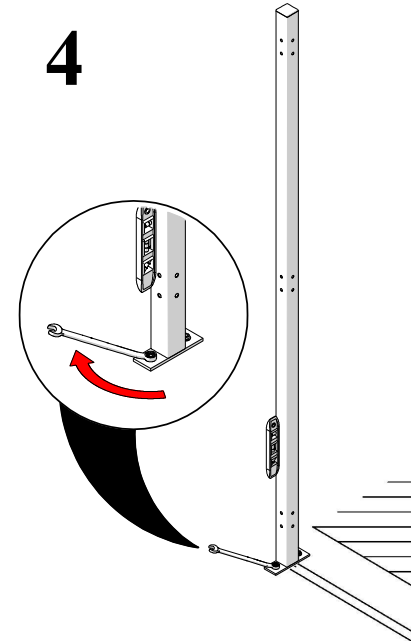


3

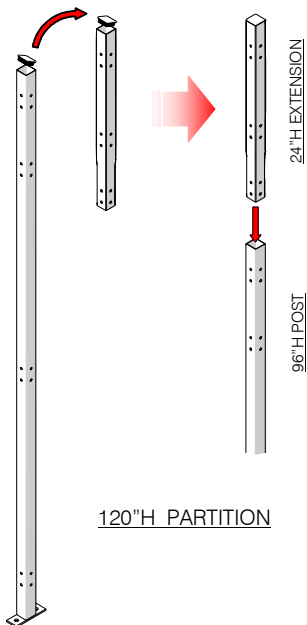


NOTE:
IF STARTING FROM A WALL,
REFER TO INSTRUCTION
SHEET FGI-201 FOR
FURTHER DETAILS

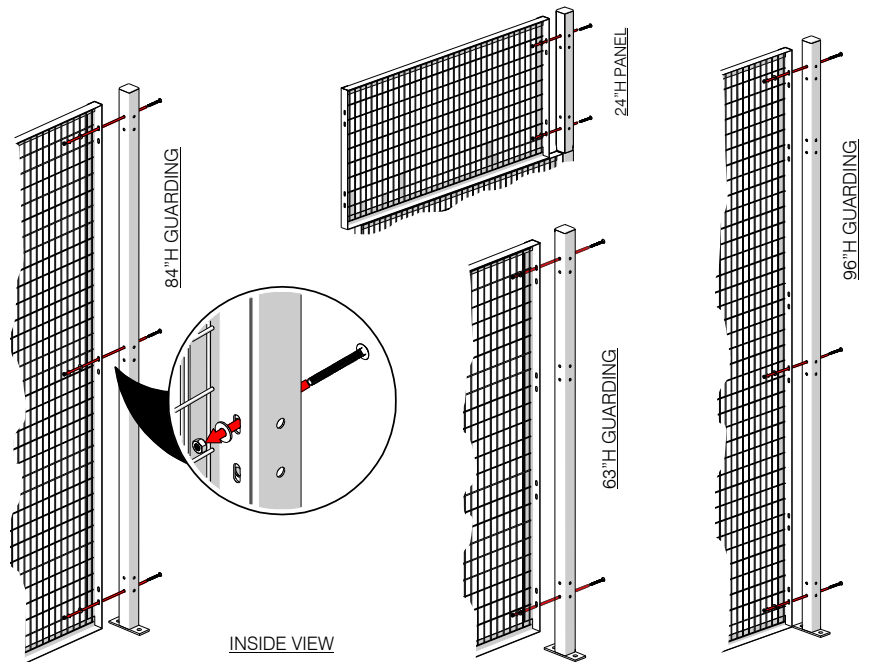
4



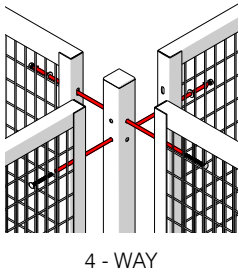
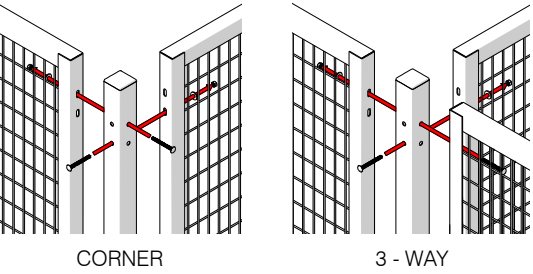
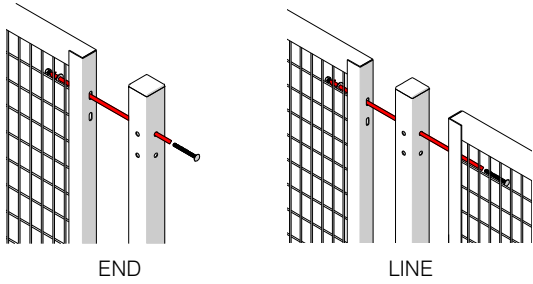
5



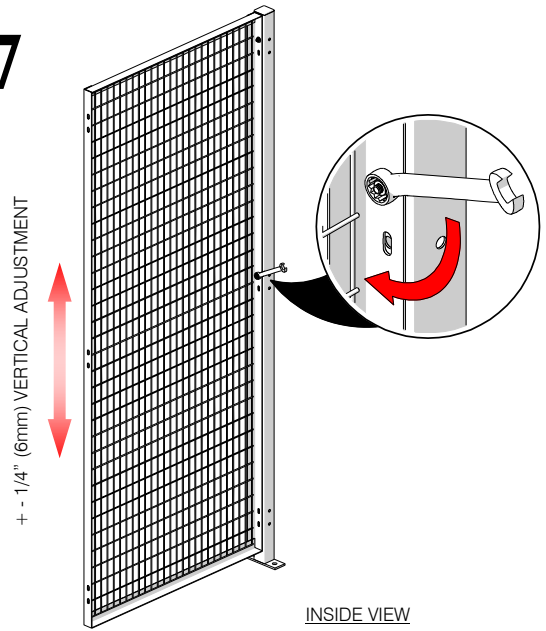
6



ALTERNATE PANEL CONFIGURATIONS

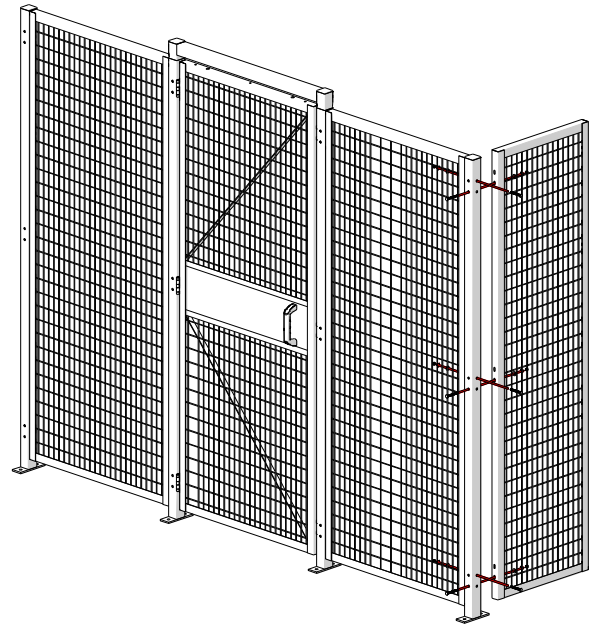


7

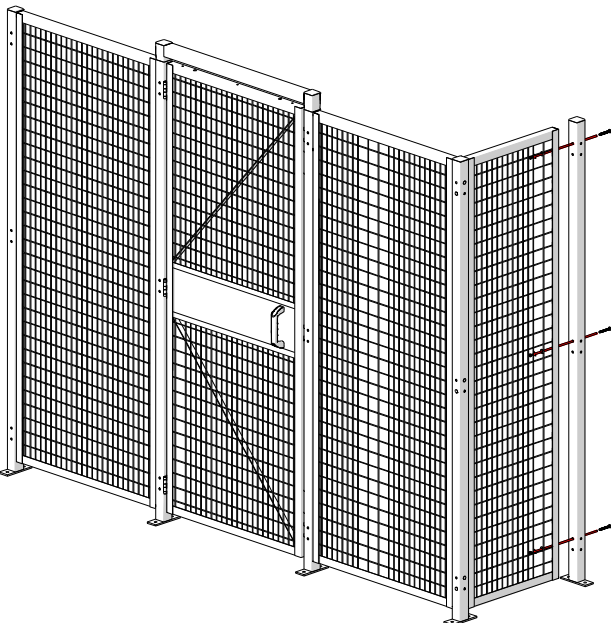


NOTE:
IF INSTALLING POST(S) ADJACENT TO DOOR, REFER TO DOOR ASSEMBLY INSTRUCTIONS PRIOR TO INSTALL.

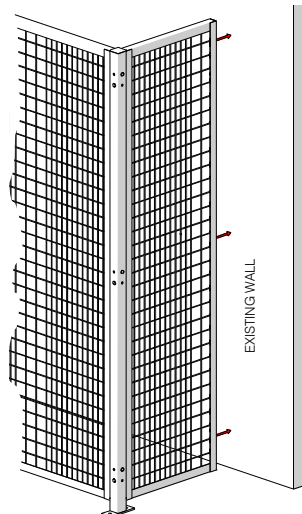
8



9a



9b



NOTE:
SAF-T-FENCE WALL KIT
REQUIRED FOR PANEL TO WALL
INSTALLATION (SEE INSTRUCTION
SHEET FGI-201 FOR FURTHER
DETAILS)