

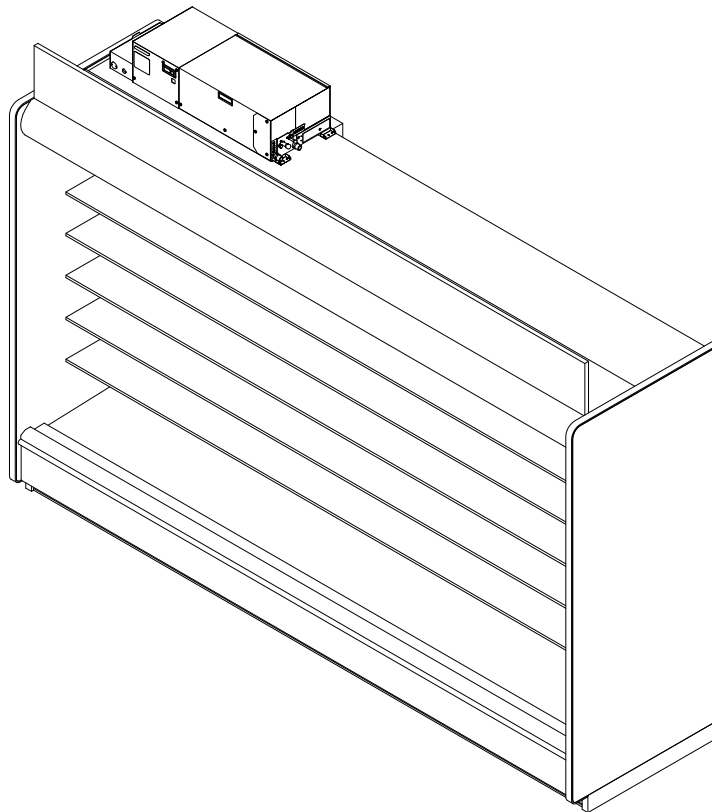
6NDMLHQA-NRG

Narrow Multi-Deck Merchandiser with Synerg-E™
8' & 12' (Beverage / Dairy / Deli / Produce)

SOLOCHILL
MICRO-DISTRIBUTED

GENERAL NOTES:

- "-" indicates that the feature is not available for this case model and/or the data is not available yet.
- LED lights only.
- Maximum of 6 rows of standard output LED shelves.



SHIPPING WEIGHT	
Case	Weight
6NDMLHQA-NRG	---



ALL MEASUREMENTS ARE TAKEN PER ASHRAE-72-2005 SPECIFICATIONS. HILLPHOENIX REFRIGERATED DISPLAY CASES FOR SALE IN THE UNITED STATES MEET OR EXCEED DEPARTMENT OF ENERGY 2017 REQUIREMENTS.

6NDMLHQA-NRG

Rev. Date	Rev. #	Rev. Title
9-13-19	2	SOLOCHILL V4
7-15-19	1	ENDVIEW UPDATE

Hillphoenix
A DOVER COMPANY

6NDMLHQA-NRG

Narrow Multi-Deck Merchandiser with Synerg-E™
8' & 12' (Beverage / Dairy / Deli / Produce)



ELECTRICAL DATA			
Case Length	Fans Per Case	High Efficiency Fans	
		120 Volt	
		Amps	Watts
8'	3	0.57	65.0
12'	4	0.76	87.0

LIGHTING DATA					
Case Length	Lights per row	Clearvoyant v4 LED Lighting (Per Light Row)			
		Standard Power (Cornice or Shelf)		High Power (Cornice Only)	
		120 Volts		120 Volts	
		Amps	Watts	Amps	Watts
8'	2	0.10	11.8	0.25	29.9
12'	3	0.15	17.6	0.37	44.8

DEFROST CONTROLS			
Application	Defrosts Per Day	Timed-Off Defrost	
		Fail-Safe (Min)	Termination Temp (F)
Dairy/Deli/Cut Produce	6	40	47
Beverage/Bulk Produce	2	30	47

NOTES:

- "-" indicates that the feature is not available for this case model and/or the data is not available yet.
- Listed discharge air velocity represents the average velocity immediately after defrost.
- Temperature and defrost settings listed below are recommended start-up settings. Final operational settings may need to be adjusted for the store conditions in which the case operates.



ALL MEASUREMENTS ARE TAKEN PER ASHRAE-72-2005 SPECIFICATIONS. HILLPHOENIX REFRIGERATED DISPLAY CASES FOR SALE IN THE UNITED STATES MEET OR EXCEED DEPARTMENT OF ENERGY 2017 REQUIREMENTS.

6NDMLHQA-NRG

Rev. Date	Rev. #	Rev. Title
9-13-19	2	SOLOCHILL V4
7-15-19	1	ENDVIEW UPDATE



A DOVER COMPANY

6NDMLHQA-NRG

Narrow Multi-Deck Merchandiser with Synerg-E™
8' & 12' (Beverage / Dairy / Deli / Produce)



SOLOCHILL DATA			@95° Condensing Temperature			
Volts	Phase	Frequency	Wire			
208	1	60	3 Wire + Ground			
Application			Case Length	Evaporator Temp (°F)	Discharge Air (°F)	Discharge Air Velocity (FPM)
DAIRY/DELI/CUT PRODUCE			8'	26	31	260
DAIRY/DELI/CUT PRODUCE			12'	26	31	260
BEVERAGE/BULK PRODUCE			8'	32	37	260
BEVERAGE/BULK PRODUCE			12'	32	37	260

Application	Case Length	R410A					
		Condensing Unit Model	MCA	MOP	Required Capacity	THR (BTUH)	Flow Rate
DAIRY/DELI/CUT PRODUCE	8'	DA220	23.9	25	15328	18715	5.4
DAIRY/DELI/CUT PRODUCE	12'	DA330	36.1	40	22992	28577	8.2
BEVERAGE/BULK PRODUCE	8'	DA220	23.9	25	15312	18343	5.3
BEVERAGE/BULK PRODUCE	12'	DA330	36.1	40	22968	27974	8.0

Application	Case Length	R448A					
		Condensing Unit Model	MCA	MOP	Required Capacity	THR (BTUH)	Flow Rate
DAIRY/DELI/CUT PRODUCE	8'	DA330	26.2	30	15328	19080	5.5
DAIRY/DELI/CUT PRODUCE	12'	DA420	37.2	40	22992	28348	8.1
BEVERAGE/BULK PRODUCE	8'	DA330	26.2	30	15312	18666	5.3
BEVERAGE/BULK PRODUCE	12'	DA420	37.2	40	22968	27835	8.0



ALL MEASUREMENTS ARE TAKEN PER ASHRAE-72-2005 SPECIFICATIONS. HILLPHOENIX REFRIGERATED DISPLAY CASES FOR SALE IN THE UNITED STATES MEET OR EXCEED DEPARTMENT OF ENERGY 2017 REQUIREMENTS.

6NDMLHQA-NRG

Rev. Date	Rev. #	Rev. Title
9-13-19	2	SOLOCHILL V4
7-15-19	1	ENDVIEW UPDATE

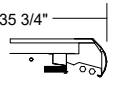
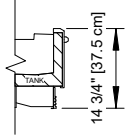
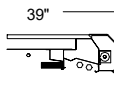
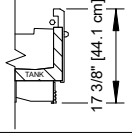
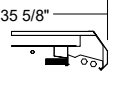
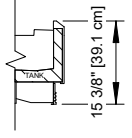
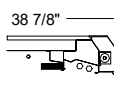
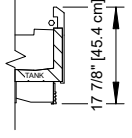
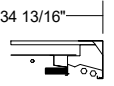
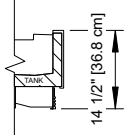
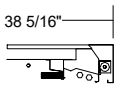
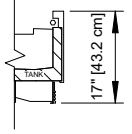


A DOVER COMPANY

6NDMLHQA-NRG

Narrow Multi-Deck Merchandiser with Synerg-E™
8' & 12' (Beverage / Dairy / Deli / Produce)

SOLOCHILL
MICRO-DISTRIBUTED

CORNICE OPTIONS	FRONT OPTIONS
<p><u>CURVED CORNICE</u></p>  <p>35 3/4"</p>	<p><u>CLASSIC 2 STANDARD FRONT</u></p>  <p>14 3/4" [37.5 cm] 14 3/4" [37.5 cm]</p>
<p><u>CURVED CORNICE WITH NIGHT COVER</u></p>  <p>39"</p>	<p><u>CLASSIC 2 17" FRONT W/ & W/O NOSE LIGHT</u></p>  <p>17 3/8" [44.1 cm] 17 3/8" [44.1 cm]</p>
<p><u>FACETED CORNICE</u></p>  <p>35 5/8"</p>	<p><u>ANGLED FRONT</u></p>  <p>15 3/8" [39.1 cm] 15 3/8" [39.1 cm]</p>
<p><u>FACETED CORNICE WITH NIGHT COVER</u></p>  <p>38 7/8"</p>	<p><u>ANGLED FRONT W/ & W/O NOSE LIGHT</u></p>  <p>17 7/8" [45.4 cm] 17 7/8" [45.4 cm]</p>
<p><u>FLAT CORNICE</u></p>  <p>34 13/16"</p>	<p><u>FLAT FRONT</u></p>  <p>14 1/2" [36.8 cm] 14 1/2" [36.8 cm]</p>
<p><u>FLAT CORNICE WITH NIGHT COVER</u></p>  <p>38 5/16"</p>	<p><u>17" FLAT FRONT W/ & W/O NOSE LIGHT</u></p>  <p>17" [43.2 cm] 17" [43.2 cm]</p>



COMPONENT

ALL MEASUREMENTS ARE TAKEN PER ASHRAE-72-2005 SPECIFICATIONS. HILLPHOENIX REFRIGERATED DISPLAY CASES FOR SALE IN THE UNITED STATES MEET OR EXCEED DEPARTMENT OF ENERGY 2017 REQUIREMENTS.

6NDMLHQA-NRG

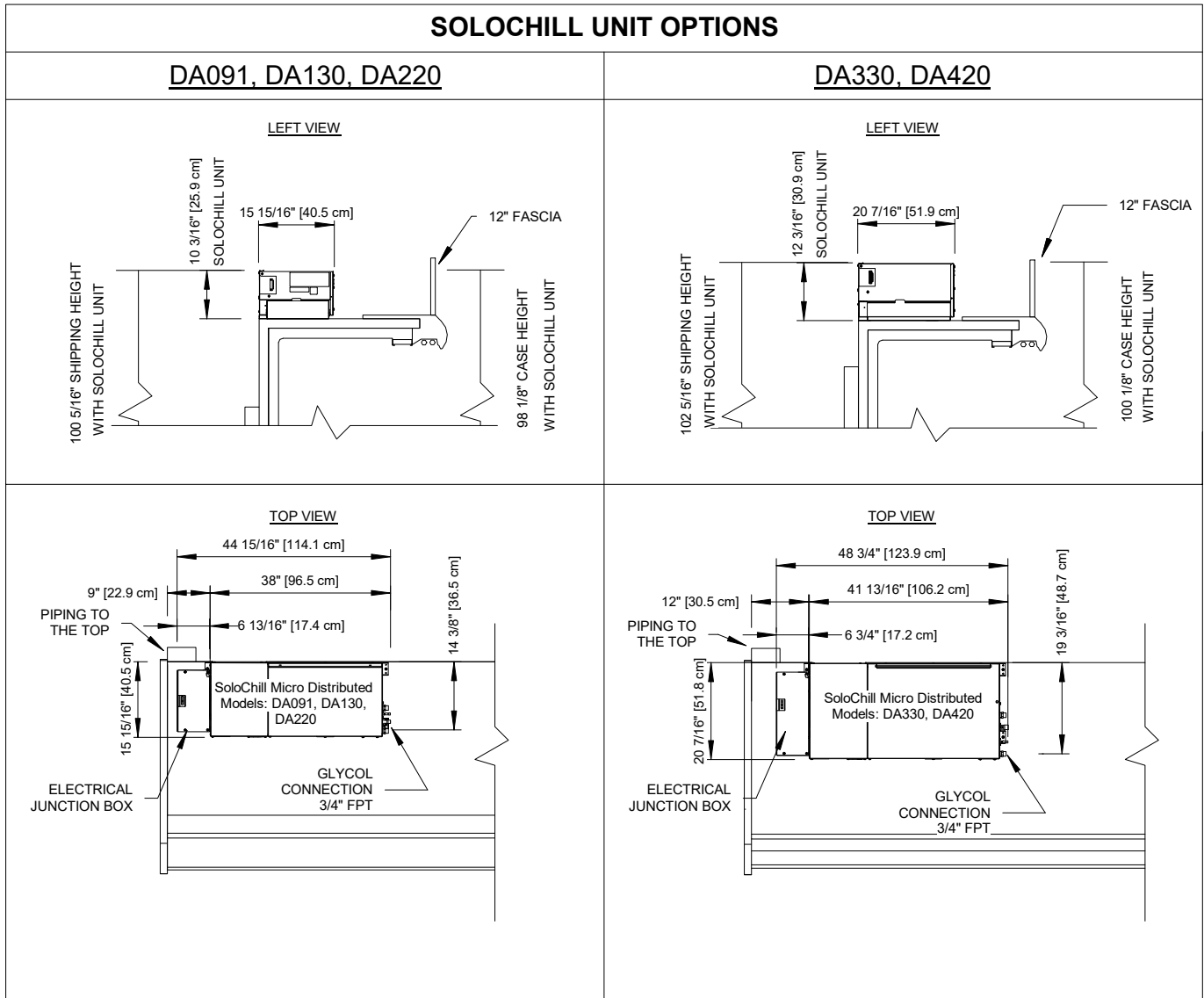
Rev. Date	Rev. #	Rev. Title
9-13-19	2	SOLOCHILL V4
7-15-19	1	ENDVIEW UPDATE

Hillphoenix

A DOVER COMPANY

6NDMLHQA-NRG

Narrow Multi-Deck Merchandiser with Synerg-E™
8' & 12' (Beverage / Dairy / Deli / Produce)



6NDMLHQA-NRG

ALL MEASUREMENTS ARE TAKEN PER ASHRAE-72-2005 SPECIFICATIONS. HILLPHOENIX REFRIGERATED DISPLAY CASES FOR SALE IN THE UNITED STATES MEET OR EXCEED DEPARTMENT OF ENERGY 2017 REQUIREMENTS.

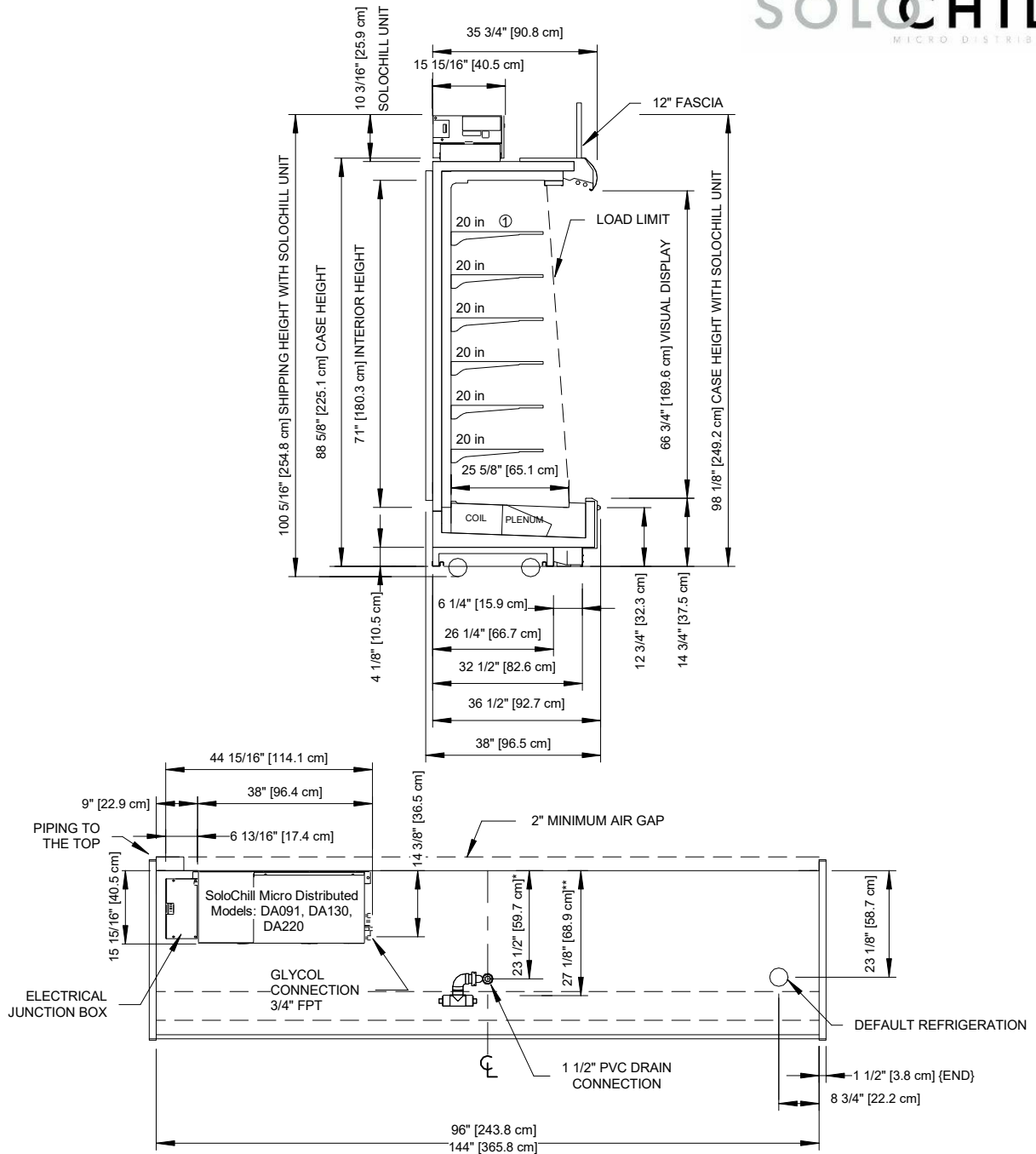
Rev. Date	Rev. #	Rev. Title
9-13-19	2	SOLOCHILL V4
7-15-19	1	ENDVIEW UPDATE



A DOVER COMPANY

6NDMLHQA-NRG

Narrow Multi-Deck Merchandiser with Synerg-E™
8' & 12' (Beverage / Dairy / Deli / Produce)



NOTES:

- * : STUB-UP AREA
- ** : RECOMMENDED STUP-UP CENTERLINE FOR ELECTRICAL AND HUB DRAINS
- ① : AVAILABLE SHELF SIZES: 10", 12", 14", 16", 18", 20"

- Ends add approximately 1" to case height.
- Back panels add approximately 1" to the rear of the case.



6NDMLHQA-NRG

ALL MEASUREMENTS ARE TAKEN PER ASHRAE-72-2005 SPECIFICATIONS. HILLPHOENIX REFRIGERATED DISPLAY CASES FOR SALE IN THE UNITED STATES MEET OR EXCEED DEPARTMENT OF ENERGY 2017 REQUIREMENTS.

Rev. Date	Rev. #	Rev. Title
9-13-19	2	SOLOCHILL V4
7-15-19	1	ENDVIEW UPDATE



A DOVER COMPANY