



# Fireborn®



**Project:** Aston Brain Centre, Aston University, Birmingham

**Architect:** RPS

**Products:** Fireborn Natural Blue & Fireborn Natural Cream 440 x 215mm

Wanting to use a rainscreen cladding effect to create an innovative and contemporary design, architects RPS chose Fireborn large format clay blocks on Aston Brain Centre at Aston University, Birmingham, to create the effect whilst keeping within budget constraints.

Fireborn Natural Blue and Fireborn Natural Cream in 440 x 215mm units were used. Because of the complexity of the project, Ibstock's Contract Management Service worked closely with both the architect and contractor throughout the design and build process to ensure the products were delivered efficiently and on time. The use of Fireborn has become increasingly popular on public buildings due to its ability to create a modern contemporary finish without compromising durability.



design with size, design with colour  
design with Fireborn®

Project: Innovation Centre, Canterbury, Kent  
Architect: R H Partnership Architects  
Product: Fireborn Grey Glazed

## Fireborn range | standard

featuring natural fired clay colour tones.



Fireborn® Black



Fireborn® Natural Blue



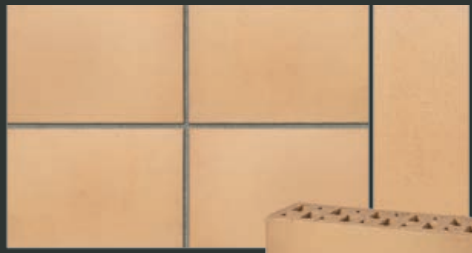
Fireborn® Ochre



Fireborn® Natural Grey Riven



Fireborn® Natural Brown



Fireborn® Natural Cream



Fireborn® Natural Blue Riven



Fireborn® Natural Cream Riven



Fireborn® Natural Grey



Fireborn® Natural Red



Fireborn® Natural Cream Textured



Fireborn® Natural Red Textured

## Fireborn range | standard



Fireborn® Natural Cream Lined



Fireborn® Natural Blue Lined



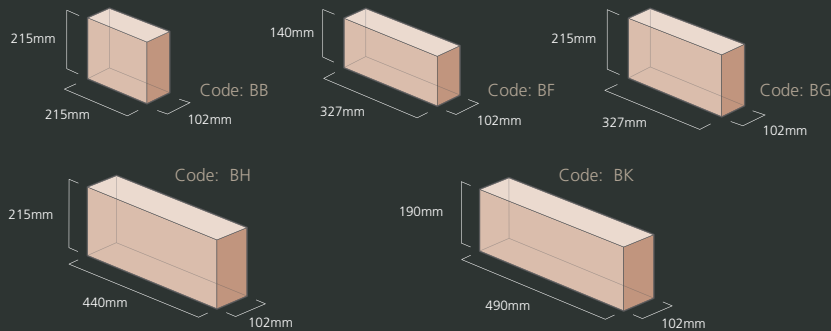
Fireborn® Natural Red Lined



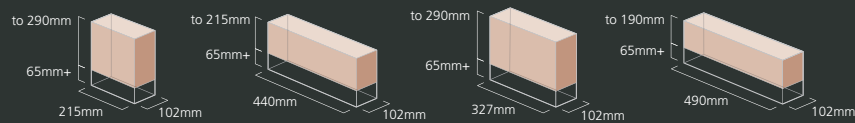
Fireborn® Ochre Lined

## size

### Fireborn® | standard blocks



### Fireborn® | freedom



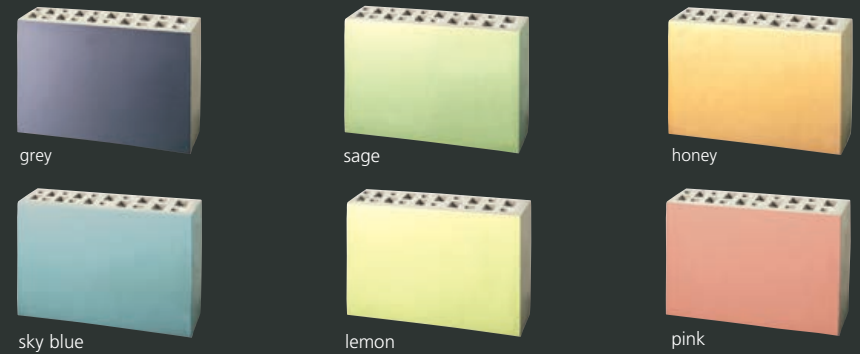
The Glazed Fireborn® range is only available in standard block size.

## requirements

For normal elevations an M6 mortar [1:1/4 cement:lime:sand] will be suitable when used at a consistency appropriate for the weight of the units. For stack bonding, stainless steel ladder type bed joint reinforcement should be used at each course. For further information contact your local Design Advisor.

## Fireborn® range | glazed

### satin pastels



### vibrant gloss





Project: Apartments, Watford, Hertfordshire  
Developer: Crest Nicholson  
Products: Fireborn Natural Red & Atlas Smooth Blue