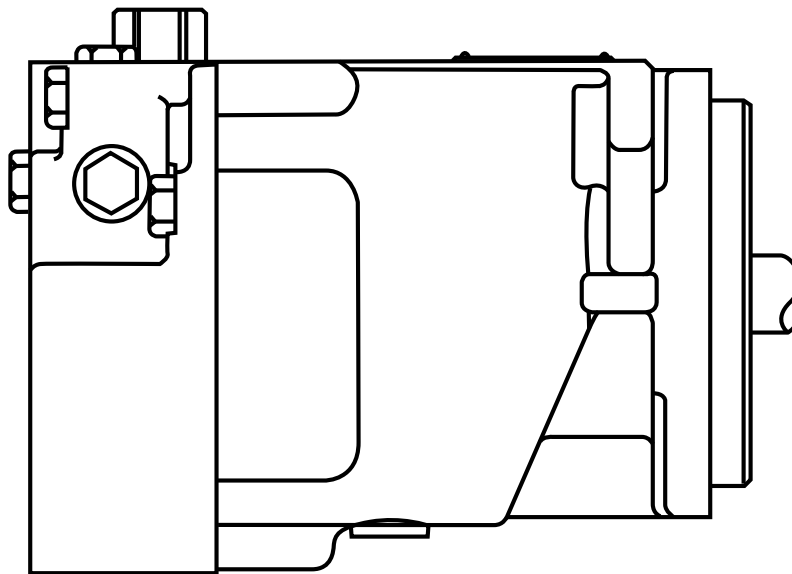

Series 90

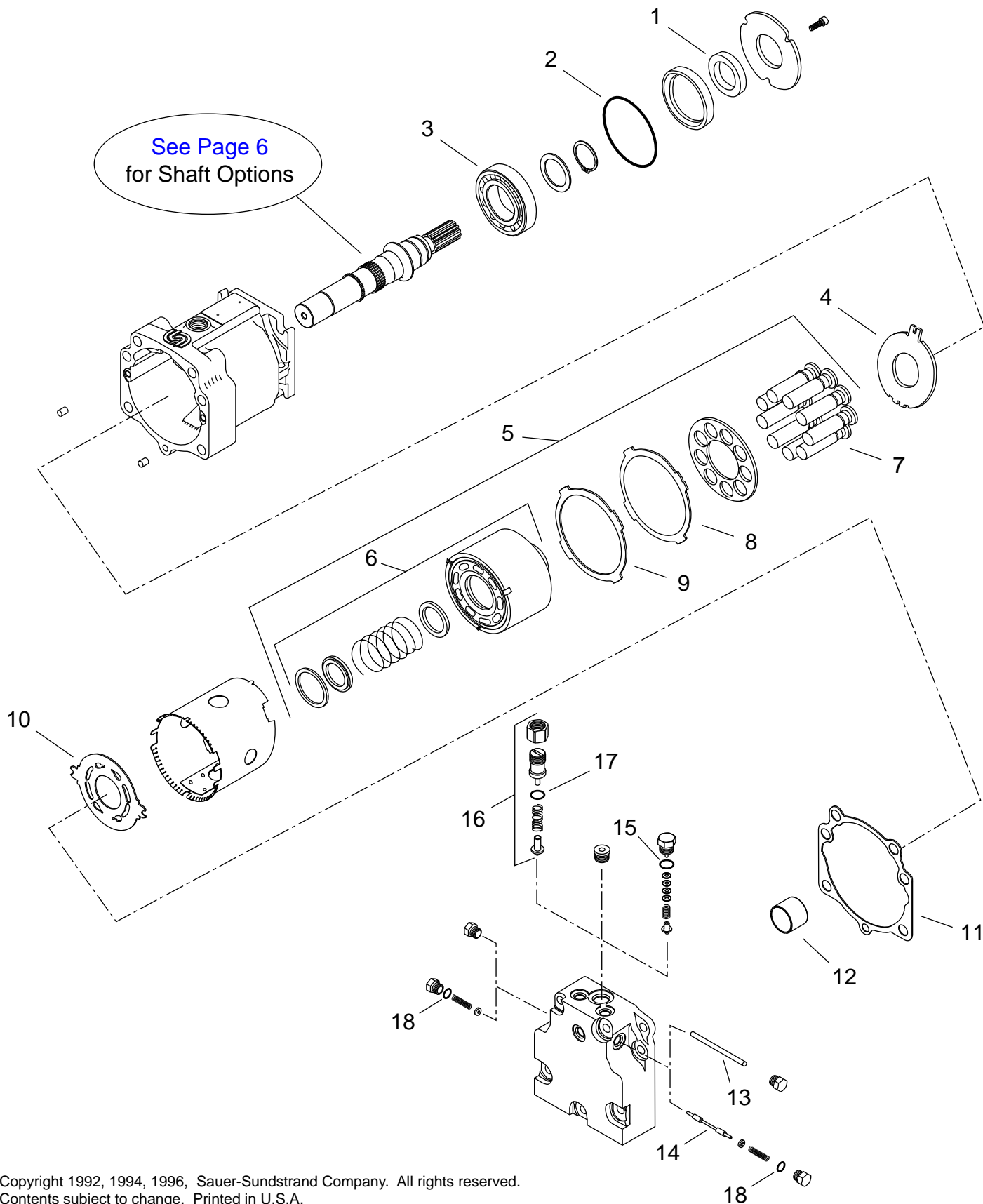


42 cc thru 130 cc

Fixed Displacement Motor

Quick Reference

Service Parts Manual

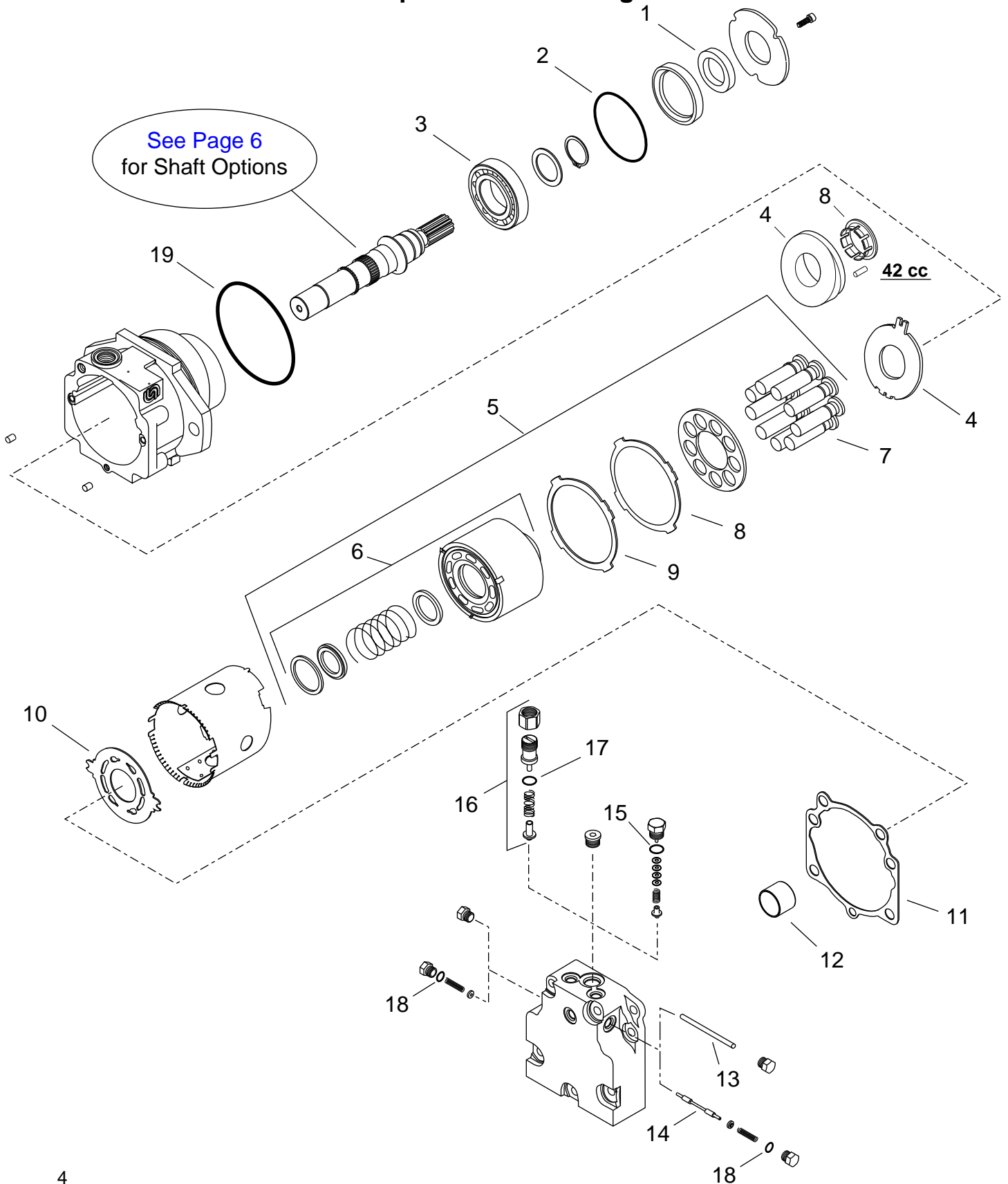


Fixed Displacement Motors

Item #	Description	55 cc	75 cc	100 cc	130 cc
	Overhaul Gasket/Seal Kit	80030S30	81030S30	82030S30	83030S30
1	Shaft Lip Seal	9008000-0118	9008000-0115	9008000-0114	9008000-0114
2	O-ring	9004104-1510	9004104-1530	9004104-1540	353961
3	Front Shaft Bearing	314567	684076	683722	304857
4	Thrust Plate	8000374	8100156	8200167	505364
5	Cylinder Block Kit	80030S07	81030S07	82030S07	83030S07
6	Cylinder Block Assembly	8000128	8100267	8200124	302851
	Cyl. Block Assy. w/ speed ring	8000336	8100525	8200277	503753
7	Piston/Slipper Assembly	367672	708230	364000	727750
8	Slipper Guide Retainer	8000072	8100271	8200128	500445
9	Slipper Guide Retainer Shim	8000073	8100272	8200129	505369
10	Valve Plate	8000132	8100278	8200134	502190
11	End Cap Gasket	8000167	8100311	8200102	304311
12	Journal Bearing	8700018	8700013	8700030	303693
13	Loop Flushing Defeated Spool	8800668	8800668	8800668	334565
14	Shuttle Spool	8800550	8800550	8800550	304287
15	O-ring	9004201-5000	9004201-5000	9004201-5000	-
16	Adjustable Charge Relief Valve	8510012	8510012	8510012	-
17	O-ring	9004201-6200	9004201-6200	9004201-6200	9004201-6200
18	O-ring	9004201-3700	9004201-3700	9004201-3700	9004201-5000

Warning: These part numbers are for current production units

Fixed Displacement Cartridge Motor





Fixed Displacement Cartridge Motor

Item #	Description	42 cc	55 cc	75 cc
	Overhaul Gasket/Seal Kit	8510072	80030S30	81030S30
1	Shaft Lip Seal	656280	9008000-0118	9008000-0115
2	O-ring	9004104-0350	9004104-1510	9004104-1520
3	Front Shaft Bearing	690305	314567	684076
4	Thrust Plate	500956	8000088	8100156
5	Cylinder Block Kit	-	80030S07	81030S07
6	Cylinder Block Assembly	647974	8000128	8100267
	Cyl. Block Assy. w/ speed ring	-	8000336	8100525
7	Piston/Slipper Assembly	706101	367672	708230
8	Slipper Guide Retainer	504758	8000072	8100271
9	Slipper Guide Retainer Shim	-	8000073	8100272
10	Valve Plate	502186	8000132	8100278
11	End Cap Gasket	723569	8000167	8100311
12	Journal Bearing	343830	8700018	8700013
13	Loop Flushing Defeated Spool	8800668	8800668	8800668
14	Shuttle Spool	8800550	8800550	8800550
15	O-ring	-	9004201-5000	9004201-5000
16	Adjustable Charge Relief Valve	8510012	8510012	8510012
17	O-ring	9004201-6200	9004201-6200	9004201-6200
18	O-ring	9004201-3700	9004201-3700	9004201-3700
19	O-ring	729319	729319	502205

Warning: These part numbers are for current production units



Fixed Displacement Motor Drive Shafts

Code	Description	42 cc	55 cc	75 cc	100 cc	130 cc
C4	Shaft, 15 t, 16/32 pitch spline	755801				
C6	Shaft, 21 t, 16/32 pitch spline		8000122	8100304	350132	83030S30
C7	Shaft, 23 t, 16/32 pitch spline			8100257	8200111	9008000-0114
C8	Shaft, 27 t, 16/32 pitch spline					304238
F1	Shaft, 13 t, 8/16 pitch spline				8200109	310458
F2	Shaft, 27 t, special length				8200204	
K1	Shaft, straight key, 1.375 O.D.		8000176			
	Key, 5/16 x 5/16 x 1 1/2		9003261-3124			
K2	Shaft, straight key, 1.5 O.D.			8100309		
	Key, 3/8 x 3/8 x 1 1/2			9003261-3724		
K3	Shaft, straight key, 1.75 O.D.				8200165	
	Key, 3/8 x 3/8 x 1 1/2				9003261-3724	
S1	Shaft, 14 t, 12/24 pitch spline		8000113	8100256	8200206	
S3	Shaft, 16 t, 12/24 pitch spline			8100239	8200110	
S5	Shaft, 17 t, 12/24 pitch spline				8200311	
S6	Shaft, 20 t, 12/24 pitch spline					310441
T1	Tapered, 1.375 nominal dia		8000209			
	Key		9003310-3724			
T2	Tapered, 1.5 nominal dia			8100415	8200201	
	Key			9003310-3724	9003310-3724	

Warning: These part numbers are for current production units

ALABAMA

None-see Berendsen- Marietta, GA
(770)419-3430

ALASKA

ANCHORAGE
ALASKA HYDRAULICS, INC.
(907)562-2217

ARIZONA

PHOENIX
AIR DRAULICS COMPANY
(602)254-8414

TUCSON

AIR DRAULICS COMPANY
(602)747-3070

ARKANSAS

LITTLE ROCK
BERENDSEN FLUID POWER, INC.
(501)490-0222

CALIFORNIA

BAKERSFIELD
BERENDSEN FLUID POWER, INC.
(805)393-1191

HAYWARD (San Francisco)
ZEMARC CORPORATION
(510)783-3964

LOS ANGELES
ZEMARC CORPORATION
(213)721-5598

SAN DIEGO
BERENDSEN FLUID POWER, INC.
(619)578-1910

SAN LEANDRO (San Francisco)
BERENDSEN FLUID POWER, INC.
(510)635-0500

SAN MARCOS (San Diego)
ZEMARC CORPORATION
(619)471-0901

W. SACRAMENTO
BERENDSEN FLUID POWER, INC.
(916)372-0550

WHITTIER (Los Angeles)
BERENDSEN FLUID POWER, INC.
(310)692-6912

YUBA CITY
BERENDSEN FLUID POWER, INC.
(916)674-3754

COLORADO

DENVER
BERENDSEN FLUID POWER, INC.
(303)373-4840

CONNECTICUT

NORTH HAVEN
HYDRO AIR OF CONNECTICUT
(203)248-8863

DELAWARE

None-see Fauver-Linthicum, MD
(410)636-9380

DISTRICT OF COLUMBIA

None-see Fauver-Linthicum, MD
(410)636-9380

FLORIDA

MIAMI
ACTION HYDRAULICS, INC.
(305)591-7273

ORLANDO
BERENDSEN FLUID POWER
(407)888-3577

WEST PALM BEACH
ACTION HYDRAULICS, INC.
(407)640-6066

GEORGIA

LAWRENCEVILLE
ADVANCED FLUID SYSTEMS
(770)963-6164

MARIETTA (Atlanta)
BERENDSEN FLUID POWER, INC.
(770)419-3430

HAWAII

HONOLULU
HAWAIIAN FLUID POWER
(808)833-4516

KAHULUI
HAWAIIAN FLUID POWER
(808)877-6881

IDAHO

BOISE
BERENDSEN FLUID POWER, INC.
(208)377-4822

LEWISTON
BERENDSEN FLUID POWER, INC.
(208)746-9677

POCATELLO
BERENDSEN FLUID POWER, INC.
(208) 232-6110

ILLINOIS

BLOOMINGTON
BERENDSEN FLUID POWER, INC.
(630)663-7070

ELMHURST (Chicago)
FAUVER COMPANY
(708)682-5010

LAKE FOREST (Chicago)
BERENDSEN FLUID POWER, INC.
(847)680-0050

ST. LOUIS, MO
BERENDSEN FLUID POWER, INC.
(314)469-9100

INDIANA

INDIANAPOLIS
FAUVER COMPANY
(317)387-4300

INDIANAPOLIS
FAUVER COMPANY
(317)875-8282

IOWA

CEDAR RAPIDS
FAUVER COMPANY
(319)366-6437

KANSAS

KANSAS CITY, MO 64120
BERENDSEN FLUID POWER, INC.
(816)483-3388

WICHITA
BERENDSEN FLUID POWER, INC.
(316)945-4455

KENTUCKY

LOUISVILLE
FAUVER COMPANY
(502)267-7461

LOUISIANA

HARAHAN (New Orleans)
BERENDSEN FLUID POWER, INC.
(504)734-0270

MAINE

PALERMO
HYDREPAIR, INC.
(207)993-2360

MARYLAND

LINTHICUM (Baltimore)
FAUVER COMPANY
(410)636-9380

MASSACHUSETTS

WESTBOROUGH
HYDRO AIR OF CONNECTICUT
(508)366-0895

MICHIGAN

FLINT
FAUVER COMPANY
(313)235-2501

GRAND RAPIDS
BERENDSEN FLUID POWER, INC.
(616)452-4560

KENTWOOD
FAUVER COMPANY
(616)957-5177

MADISON HEIGHTS
FAUVER COMPANY
(810)585-5252

SAGINAW
FAUVER COMPANY
(517)753-0474

TROY
FAUVER COMPANY
(810)649-6054

MINNESOTA

DULUTH
FAUVER COMPANY
(218)729-5241

EDEN PRAIRIE (Minneapolis)
FAUVER COMPANY
(612)943-1644

MISSISSIPPI

None-see Berendsen-Harahan, LA
(504)734-0270

MISSOURI

KANSAS CITY
FAUVER COMPANY
(816)452-4444

MARYLAND HEIGHTS (St. Louis)
FAUVER COMPANY
(314)993-6688

MONTANA

MISSOULA
BERENDSEN FLUID POWER, INC.
(406)549-4181

NEBRASKA

OMAHA
FAUVER COMPANY
(402)331-5240

NEVADA

SPARKS (Reno)
RENO HYDRAULIC & REBUILD, INC.
(702)356-2703

NEW HAMPSHIRE

None-Hydro-Air-North Haven, CT;
(203)248-8863

Hydrepair-Palermo, ME
(203)248-8863

NEW JERSEY

FAIRFIELD
HYDRO AIR, INC.
(201)575-0935

MAHWAH
POWER TECH HYDRAULICS
(201)934-9354

NEW MEXICO

ALBUQUERQUE
AIR DRAULICS COMPANY
(505)821-2899

NEW YORK

CLARENCE
FITZSIMMONS HYDRAULICS CO.
(716)759-8389

NORTH CAROLINA

CHARLOTTE
BERENDSEN FLUID POWER, INC.
(704)588-7723

NORTH DAKOTA

FARGO
FAUVER COMPANY
(701)280-1185

OHIO

CINCINNATI
FAUVER COMPANY
(513)247-9900

CLEVELAND
KRAFT FLUID SYSTEMS
(216)238-5545

HILLIARD (Columbus)
FAUVER COMPANY
(614)876-1261

NORTHWOOD (Toledo)
FAUVER COMPANY
(419)666-3404

STOW (Akron)
FAUVER COMPANY
(216)923-8855

OKLAHOMA

OKLAHOMA CITY
BERENDSEN FLUID POWER, INC.
(405)236-8065

TULSA
BERENDSEN FLUID POWER, INC.
(918)622-3781

OREGON

EUGENE
BERENDSEN FLUID POWER, INC.
(503)342-1804

PORTLAND
BERENDSEN FLUID POWER, INC.
(503)288-6061

PENNSYLVANIA

BELLE VERNON
KRAFT FLUID SYSTEMS
(412)872-6600

HORSHAM (Philadelphia)
HYDRO AIR OF PENNSYLVANIA
(215)675-3222

JOHNSTOWN
WEST PENN HYDRAULICS, INC.
(814)269-4994

MOUNT JOY
DONEGAL HYDRAULICS
(717)653-2298

PUERTO RICO

TOA BAJA
H & D CARIBBEAN, INC.
(809)251-1865

RHODE ISLAND

None-Hydro-Air-North Haven, CT
(203)248-8863

SOUTH CAROLINA

None-Berendsen-Charlotte, NC
(704)588-7723

SOUTH DAKOTA

None-see Fauver-Fargo, ND
(701)280-1185

TENNESSEE

MEMPHIS
BERENDSEN FLUID POWER, INC.
(901)332-0761

TEXAS

ARLINGTON (Dallas)
HYDRAQUIP CORPORATION
(214)660-7230

FARMERS BRANCH (Dallas)
BERENDSEN FLUID POWER, INC.
(214)401-3010

HOUSTON
HYDRAQUIP CORPORATION
(713)680-1951

HOUSTON
BERENDSEN FLUID POWER, INC.
(713)987-2117

HOUSTON
BERENDSEN FLUID POWER, INC.
(713)442-2800

LONGVIEW
HYDRAQUIP CORPORATION
(903)297-5812

SAN ANTONIO
HYDRAQUIP CORPORATION
(210)341-8896

UTAH

SALT LAKE CITY
BERENDSEN FLUID POWER, INC.
(801)977-0123

VERMONT

None-see Hydro-Air-North Haven, CT
(203)248-8863

Hydrepair-Palermo, ME (ASC Only)
(207)993-2360

VIRGINIA

RICHMOND
BERENDSEN FLUID POWER, INC.
(804)271-1909

WASHINGTON

BELLEVUE (Seattle)
HYDRAULIC COMPONENTS
(206)747-0927

SEATTLE
BERENDSEN FLUID POWER, INC.
(206)575-3736

SPOKANE
BERENDSEN FLUID POWER, INC.
(509)535-4281

WEST VIRGINIA

CHARLESTON
FAUVER COMPANY
(304)766-6206

WISCONSIN

MILWAUKEE
FAUVER COMPANY
(414)536-4001

WYOMING

None-see Berendsen-Denver, CO
(303)373-4840

CANADA**ALBERTA**

CALGARY
BERENDSEN FLUID POWER, LTD.
(403)243-4533

EDMONTON
BERENDSEN FLUID POWER, LTD.
(403)465-7536

BRITISH COLUMBIA

DELTA (Vancouver)
INDUSTRIAL EQUIPMENT CO. LTD.
(604)946-1675

DELTA (Vancouver)
BERENDSEN FLUID POWER, LTD.
(604)520-6386

MANITOBA

WINNIPEG
MIDWEST HYDRAULICS, INC.
(204)783-2277

WINNIPEG

BERENDSEN FLUID POWER, LTD.
(204)786-7436

NEW BRUNSWICK

MONCTON
ROUSSEAU CONTROLS, INC.
(506)859-8992

NOVA SCOTIA

DARTMOUTH
BERENDSEN FLUID POWER, LTD.

ONTARIO

LIVELY (Sudbury)
BERENDSEN FLUID POWER, LTD.
(705)692-1873

LONDON

BERENDSEN FLUID POWER, LTD.
(519)681-3350

MARKHAM (Toronto)

BERENDSEN FLUID POWER, LTD.
(905)475-8770

MISSISSAUGA (Toronto)

J. N. FAUVER CANADA
(905)821-4230

NORTH BAY

FELDCAMP EQUIPMENT, LTD.
(705)472-5885

OAKVILLE (Toronto)

ITER-WEST TRADE SUPPLY INC.
905-825-2218

OLDCASTLE

J. N. FAUVER CANADA
(519)737-6925

STONEY CREEK

BERENDSEN FLUID POWER, LTD.
(905)560-6216

TIMMINS

BERENDSEN FLUID POWER, LTD.
705-268-4433

WINDSOR

BERENDSEN FLUID POWER, LTD.
(519)737-6993

QUEBEC

POINTE CLAIRE
ROUSSEAU CONTROLS, INC.
(514)695-1240

QUEBEC CITY

ENGRENAGE PROVINCIAL GEAR
(418)683-2745

QUEBEC CITY

ROUSSEAU CONTROLS, INC.
(418)871-7555

ST. LAURENT

BERENDSEN FLUID POWER, LTD.
(514)337-9412

ST. MALO

S. HUOT INC.
(418)681-0291

SASKATCHEWAN

REGINA
BERENDSEN FLUID POWER, LTD.
(306)721-2277

SASKATOON

BERENDSEN FLUID POWER, LTD.
(306)244-2011