



The **new** Luminia F82 bi-fold door

[F82.aluk.com](https://www.f82.aluk.com)

Experts in Aluminium

ALUK[®]





Innovation, not imitation

The Luminia F82 bi-fold door has been designed with style and performance front of mind. It cleverly combines the intimacy of inside spaces with the freedom of outside living, without ever compromising on performance safety or security.

And like all AluK aluminium façade systems, it continues to push the industry forward by delivering unrivalled innovation and installation simplicity.

For starters, it delivers an industry-best 1.3 U-value thermal performance for double glazed units and 0.9 U-value for triple glazed. Larger glazing panels, faster fabrication and installation thanks to fewer parts and profiles. While panel size options of up to 3000mm* provide complete project flexibility.

As ever, we believe the highest levels of safety and security should be as standard, not an aspiration. It is why the F82 conforms to the latest British Standards and Building Regulations such as Document Q and L including PAS24**.

The F82 bi-fold is available exclusively through our Luminia Select Partner Network to our most valued and trusted customers.

LUMINIA

SELECT PARTNER

ALUK

Intelligently **simple**

We have a passion for innovation at AluK. The Luminia F82 bi-fold continues the trend.

To speed up fabrication, we've reduced the number of parts and profiles without compromising on the ease of installation.

It boasts all-new contemporary flush hardware, while the new elegant slimmer symmetrical sightlines of the frame and panels provide larger glazing area than others on the market. Flooding the home with more natural light.



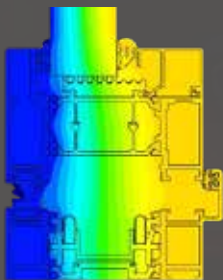


Typically unique

As the experts for designing and engineering aluminium window, door and bi-fold systems, we're famous for delivering industry firsts. It's why we've pushed ourselves to ensure the Luminia F82 equally leads the way.

Designed and engineered to withstand all that the British weather can throw at it, from exceptional performance for Air, Wind and Water resistance. Our Patent Applied F82 bi-fold door has been designed to ensure the best performance and durability throughout its life.

It has unrivalled thermal performance of 1.3 W/m²K with a double glazed unit and 0.9 W/m²K with a triple glazed unit. Which help to reduce heating bills, while keeping the warmth in longer.



LUMINIA F82 ISOTHERM

The thermal improvement design encompasses an improved in line and uniformed thermal break.

Heat transfer is optimised throughout the centre of the system resulting in market leading U-value performance





Impossibly **effortless**

Everything about the Luminia F82 has been developed with homeowner demands and ease of use front of mind.

The system is designed with heavy duty slim stainless steel rollers as standard and also boasts a unique gearbox for smoother operation.

While the all-new, unique flush pop-out T-handle provides ease of operation, removing the need for additional unsightly handles as well as delivering stand out design from the crowd.



LOW THRESHOLD OPTION

Maximises ease of accessibility
without compromising thermal efficiency

Born performer

To ensure total peace of mind, the F82 has been put through its paces to ensure it conforms to all the latest British Standard and Building Regulations for thermal, security and safety including PAS24**

For added security, the Luminia F82 features shootbolts top and bottom of the interlock along with a dedicated bottom bogey guide. For greater stability, there's also the double track threshold.

And for extra safety, magnetic catches that hold the doors in place whilst being operated. As well as an anti-finger trap system, using gaskets, to prevent fingers getting trapped when the doors are closing.



Clear choice

We understand every project is different, which is why the Luminia F82 is available with panels up to 3000mm* and weights of 150Kg. We also offer glazing add-ons and the option for both internal and external glazing.

PERFORMANCE AND ACCREDITATION

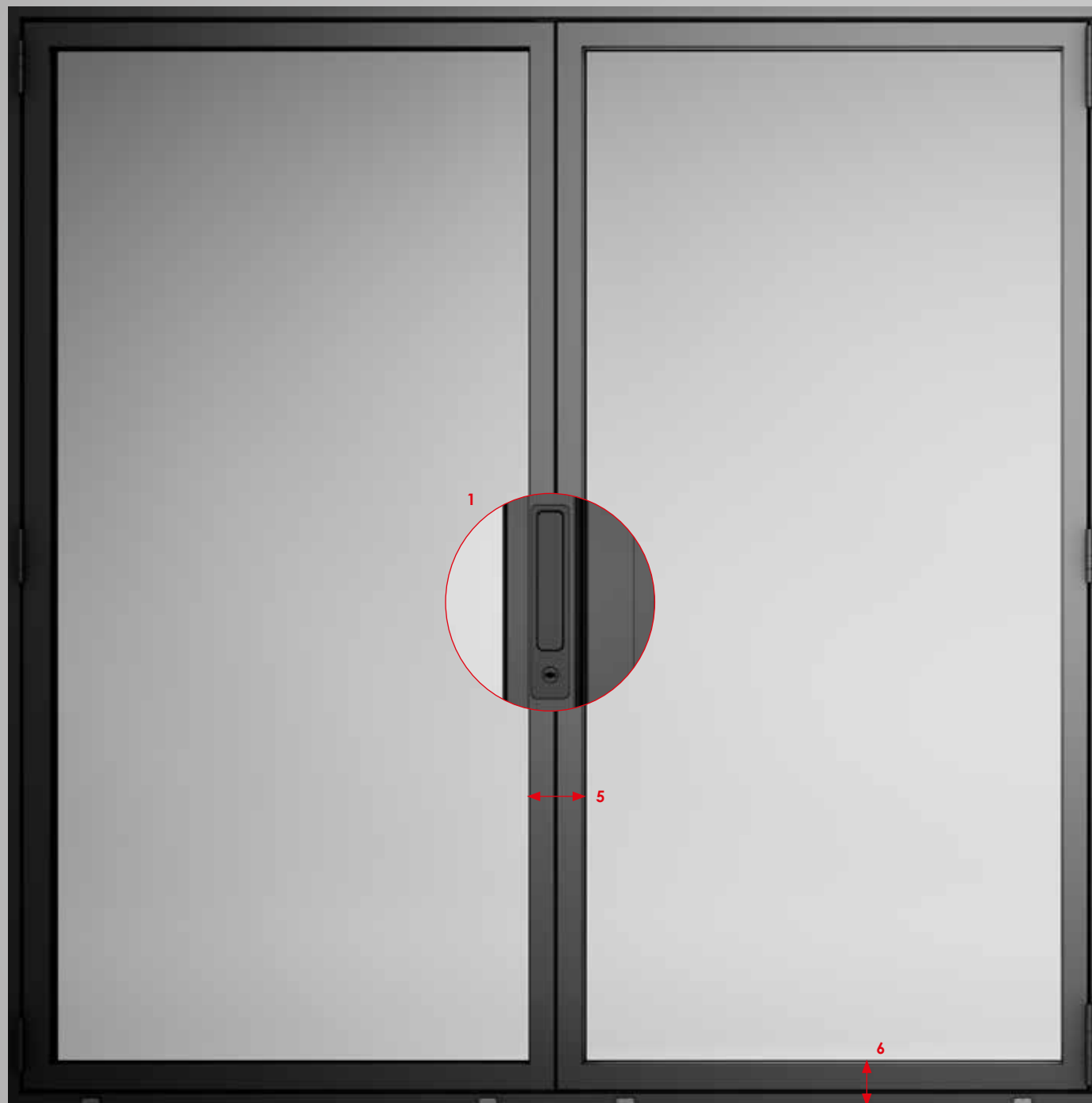
*U-value (double glazing)	1.3 W/m²K
†U-value (triple glazing) (Ug:0.5 W/m²K)	0.9 W/m²K
Air tightness (Pa) (standard threshold)	Class 4 (600pa)**
Water tightness (Pa) (standard threshold)	Class 9a (600pa)**
Wind load (Pa)	Class 5 (2000pa)**
Security	PAS 24**

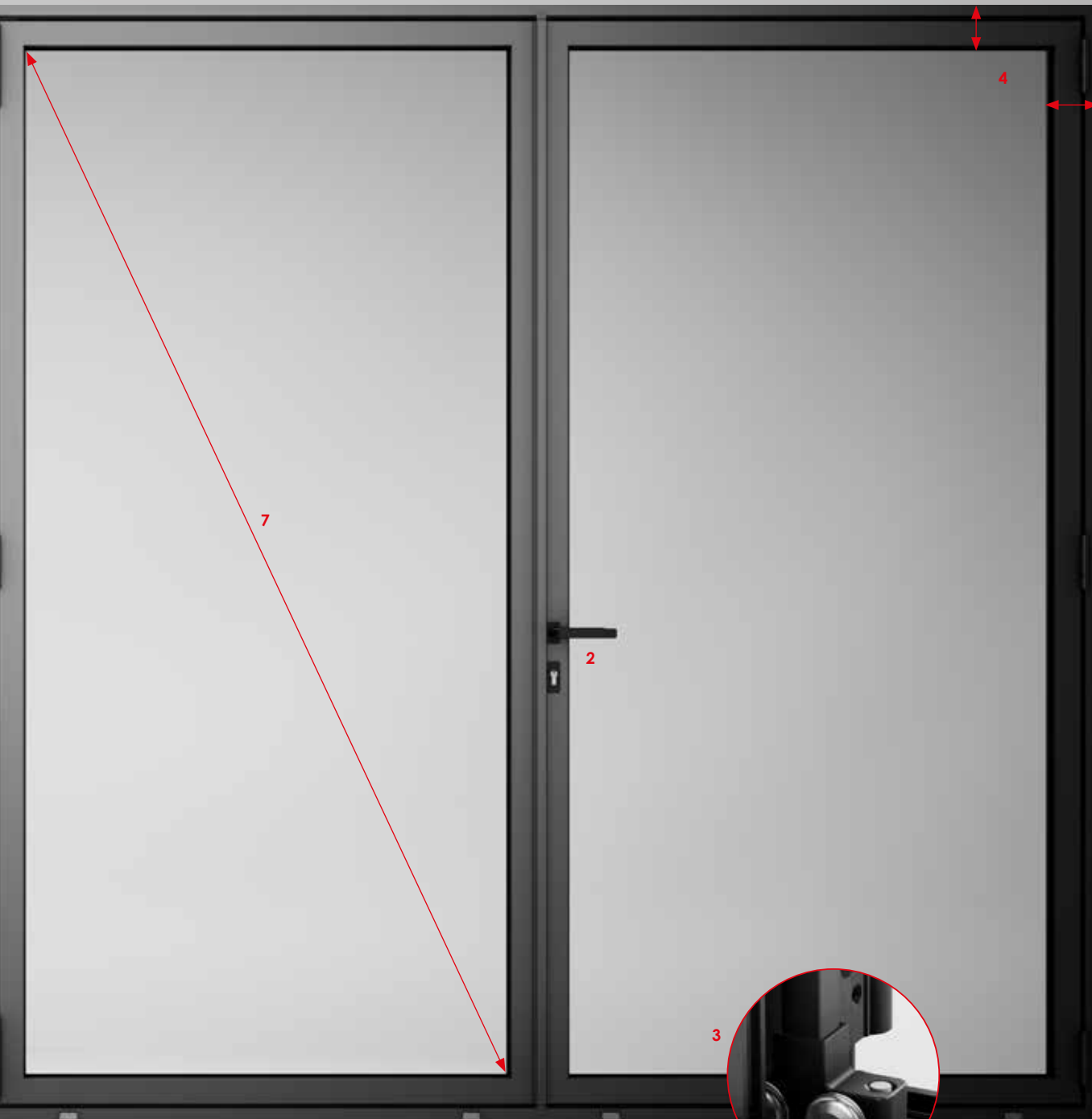
DESIGN DETAILS

Max vent weight	150Kg
Sightline (Head)	97mm
Sightline (Cill)	97mm
Sightline (Jamb)	97mm
Sightline (Meeting Stile)	122mm
Maximum leaf height	2500mm std > 3000*mm
Maximum leaf width	1200mm

SYSTEM FEATURES

Frame depth	82mm
Dual colour option	✓
Multi-point locking	✓
Glazing options	Internal and external beaded
Glazing thickness	28mm – 44mm





Visibly different

We understand the desire for slimmer sightlines, which is why the Luminia F82 has been designed with reduced outer frame rebates that are symmetrical.

Combined with a 122mm meeting style and a frame to glass sightline of 97mm the F82 boasts greater glazing areas flooding the room with more natural light than ever before.

DESIGN FEATURES

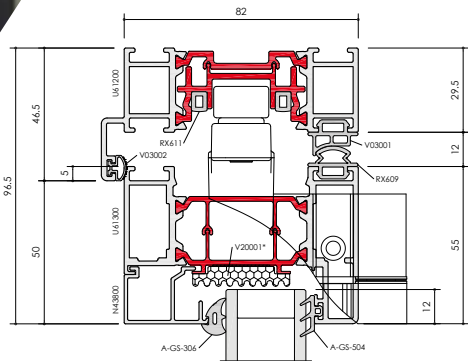
- 1 / Unique flush pop-out handle for ease of operation, removing the need for additional unsightly handles
- 2 / Unique traffic door handle
- 3 / Heavy duty compact rollers as standard
- 4 / Both frame and sill sightlines of 97mm
- 5 / 122mm Slimline interlock
- 6 / Low threshold
- 7 / Larger glazing area

OPTIONS

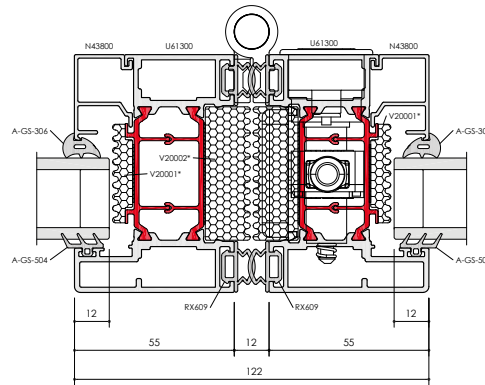
- Square bead
- Glazing 28mm – 44mm
- Available in a range of opening configurations
- Available in a range of single or dual colour and anodised finishes
- All configurations available open in and open out



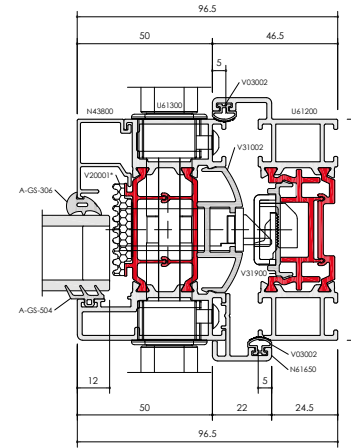
CAD Cross Sections



F82 HEAD / A

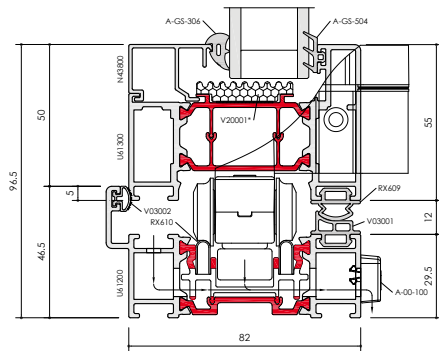
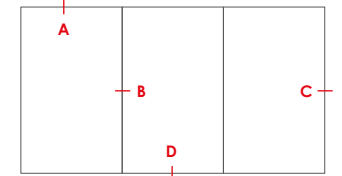


F82 MEETING STYLE / B

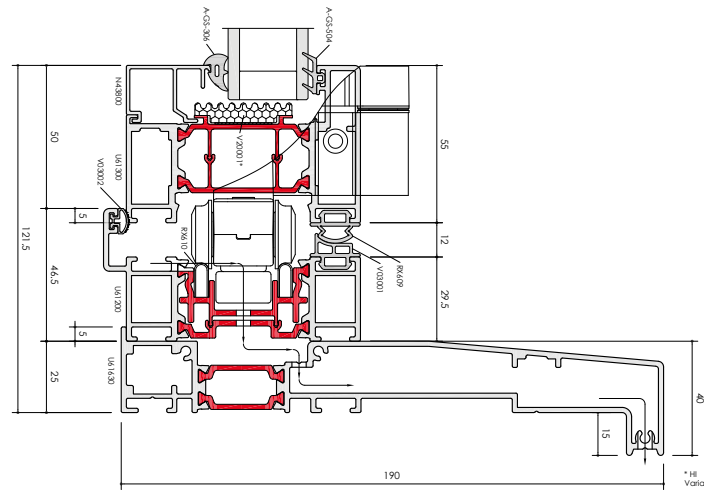


F82 LOCKING JAMB / C

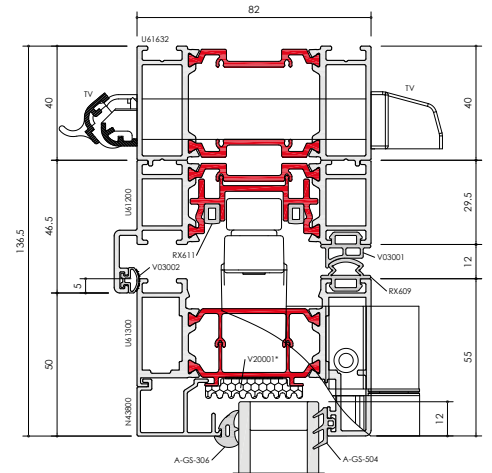
CROSS SECTION ELEVATION



F82 WITH FACE DRAINAGE / D1



F82 CILL AND SUBCILL / D

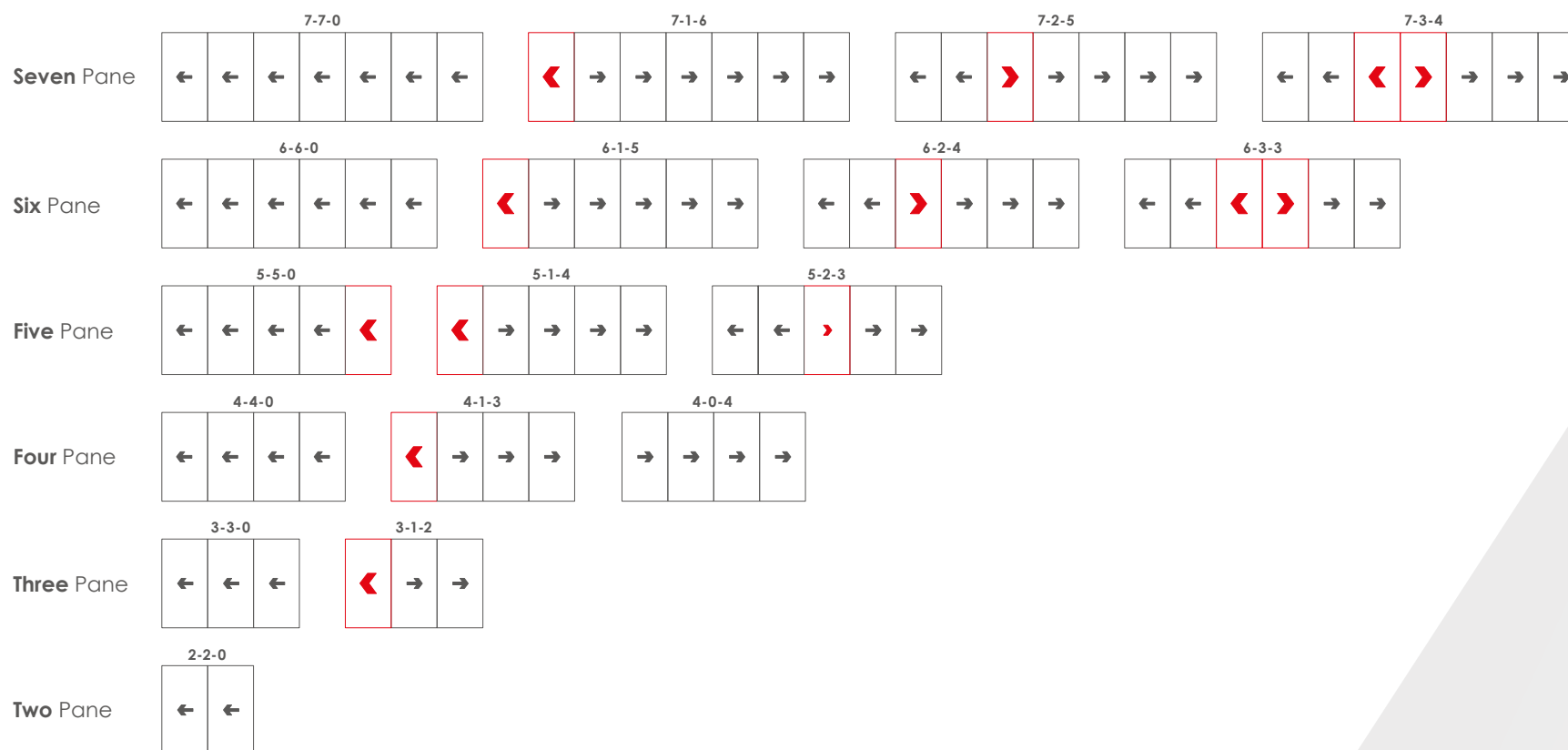


F82 HEAD WITH 40MM
ADDON FOR TRICKLE VENT / A1

Beautifully organised

As with all AluK aluminium system, you'll find an extensive choice of configurations available to choose from. And as ever, all are available as open in and open out for added homeowner choice.

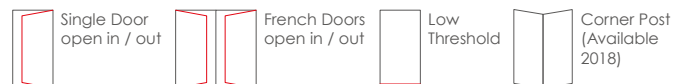
TYPICAL CONFIGURATIONS



KEY



OTHER OPTIONS AVAILABLE



1 / SINGLE DOOR SIZE LIMITS (OPEN IN & OPEN OUT)

Leaf Dimension				Max Weight (Kg)
LB*		AB*		
Min	Max	Min	Max	
550	1200	1540	2600	150

2 / DOUBLE DOOR SIZE LIMITS (OPEN IN & OPEN OUT)

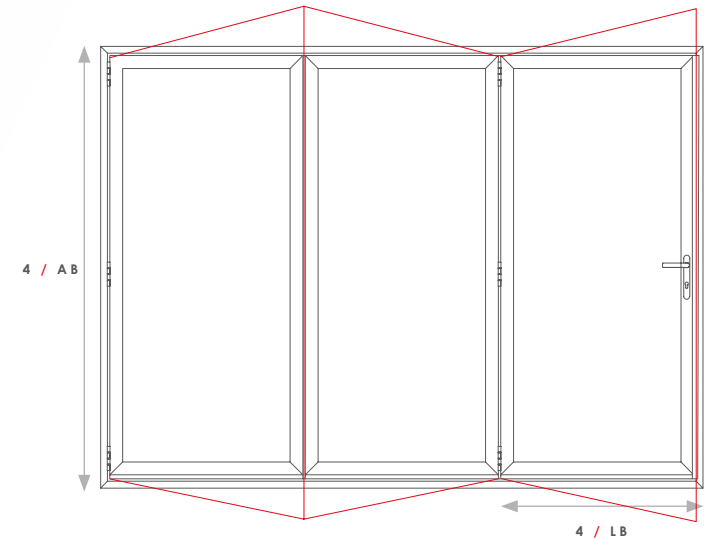
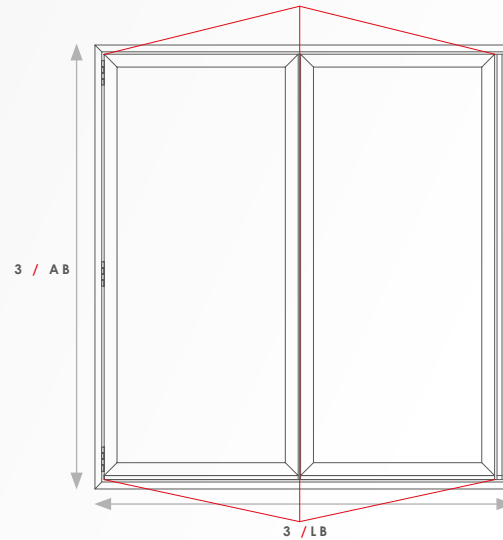
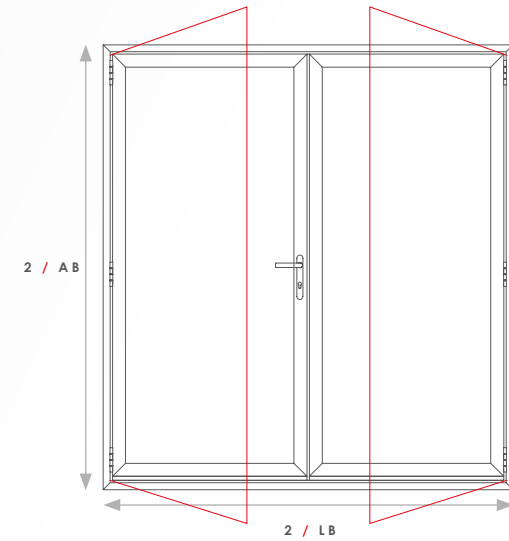
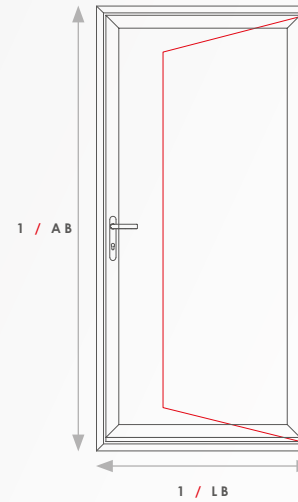
Leaf Dimension				Max Weight (Kg)
LB*		AB*		
Min	Max	Min	Max	
550	1200	1540	2500	150

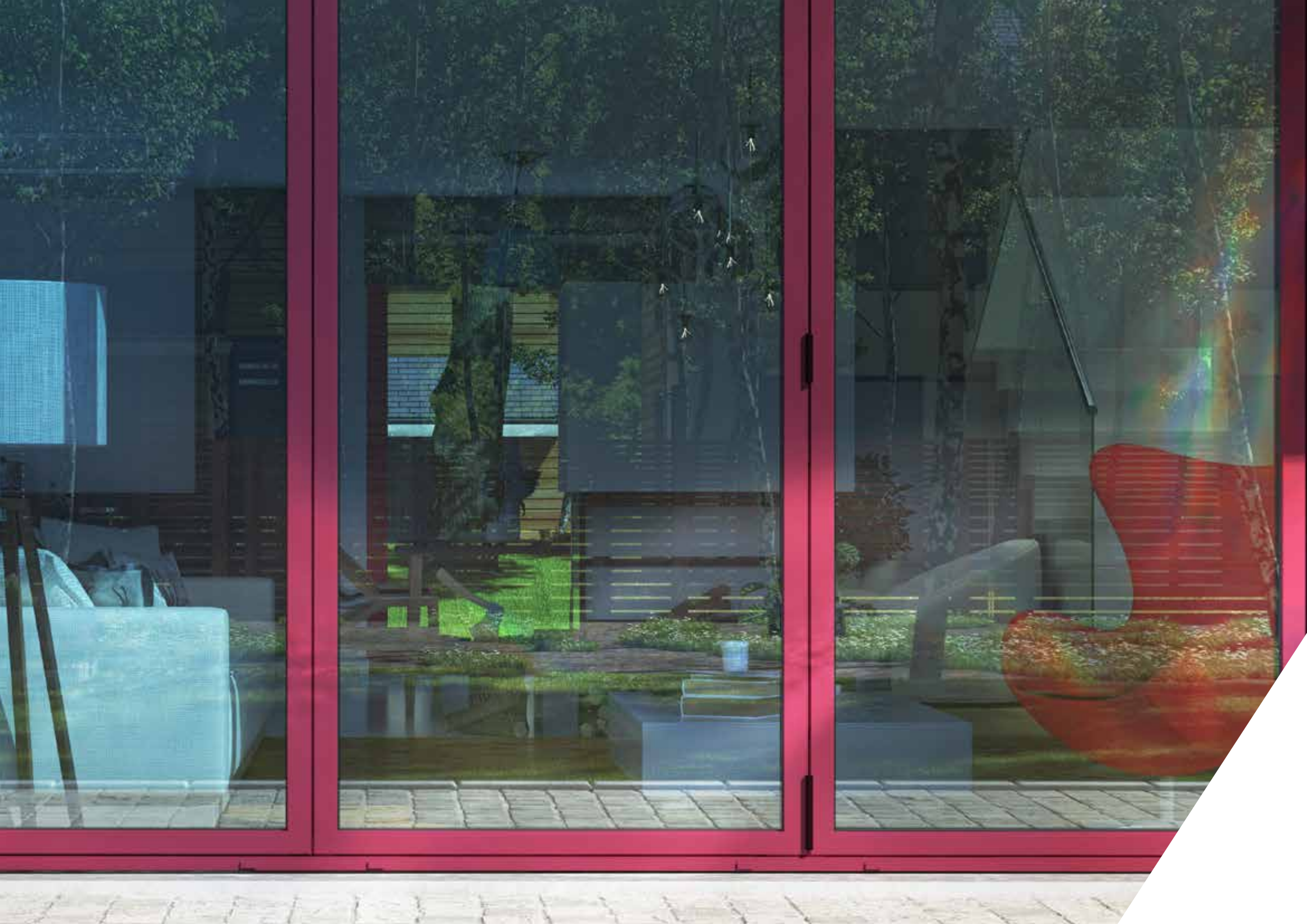
3 / DOOR SIZE LIMITS - NO TRAFFIC DOOR (OPEN IN & OPEN OUT)

Leaf Dimension				Max Weight (Kg)
LB*		AB*		
Min	Max	Min	Max	
700	1200	1000	2600	150

4 / DOOR SIZE LIMITS (OPEN IN & OPEN OUT)

Leaf Dimension				Max Weight (Kg)
LB*		AB*		
Min	Max	Min	Max	
550	1200	1540	2500	150





Colourful choices

If there's one thing architects, specifiers and homeowners all have in common, it's the desire for choice. That's why we offer an extensive range of colours and finishes to bring any project vibrantly alive.

It offers customers the freedom to let their imagination fly while providing installers with the quick turnaround and clear delivery schedules they demand.

So whether it's a standard single or dual colour, or one of the many vibrant RAL Colours available, the tone is set for service excellence.

STANDARD COLOURS

Hipca White 9910HG	Anthracite Grey 7016M
Chocolate Brown 8017M	Deep Black 9005M

STANDARD DUAL COLOURS

External Anthracite Grey 7016M	External Deep Black 9005M
Internal Hipca WhiteHG 9910HG	Internal Hipca WhiteHG 9910HG

POPULAR RAL COLOURS

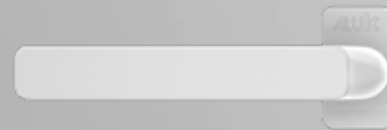
1013M	1015M	7044M	9001M
7034M	1019M	6021M	7032M
3005M	9010M	6003M	7021M

CUSTOM RAL COLOURS AVAILABLE



Finishing touches

The Luminia F82 bi-fold hardware is available in a range of colours and includes a unique traffic door handle, flush pop-out T-handle; as well as improved heavy duty rollers and gearing that doesn't compromise on safety and security.



White



Silver



Black





*Available on special applications ** Pending certification

T: 01291 639 739
E: info.uk@aluk.com

Registered Office:
AluK (GB) Ltd
Newhouse Farm Ind Est
Chepstow
NP16 6UD

Registered Number:
02881320

aluk.co.uk

Experts in Aluminium

ALUK[®]