

Technical Guide H

# Swinging Terrace & French Terrace Doors



## Product Features

### Styles

Traditional, French, Cambertop, Quarter Round, Full Radius.

### Standard Features

- Natural Douglas Fir interior (no visible finger joints)
- Full Jamb – 6 9/16 (166 mm) construction is an option
- 4 mm Low E insulated tempered glazing
- Multi-point locking hardware, complete with solid brass core handle set, escutcheon and dead bolt
- Extruded aluminum cladding in a variety of standard colors, primed wood or clear fir exterior
- Flexible weatherstrip system

### Hardware

Multiple hardware type and finish choices are available.

See hardware finish options in section A for more information.

### Glazing

LowE Double, LowE Triple and StormForce™. StormForce™

is not available on all products.

### Simulated Divided Lites (SDL)

Ogee Profile – 3/4" (19 mm), 1 1/8" (30 mm), 2" (51 mm)

Putty Profile – 5/8" (16 mm), 7/8" (22 mm), 1 1/8" (30 mm), 2" (51 mm)

Square Profile (interior only) – 3/4" (19 mm), 7/8" (22 mm), 1 1/8" (30 mm), 2" (51 mm)

### Casing

Wood: 2" (51 mm) Brickmould, 3 1/2" (89 mm) Flat, 5 1/2" (139 mm) Flat, Adams and Williamsburg.

Metal Clad: 2" (51 mm) Brickmould, 3 1/2" (89 mm) Flat, 2" clad frame extension, Nose & Cove, Adams, Williamsburg and Kerf.

### Metal Clad Color Spectrum

All Palette colors, including anodized finishes. Available in Cyprium Collection (see Section N).



Terrace



French Terrace



Half Round Terrace  
Available in wood exterior only.



Half Round French Terrace

HARDWARE STYLES	Swinging Terrace	Swinging French Terrace
Multi-point Handle	●	●
Verona Handle	●	●
Meran Handle	●	●
Shropshire Handle	○	○
Churchill Handle	○	○
Athinia Handle	○	○
Rodos Operator	○	○

● Standard ○ Optional

Finish Options: Refer to Section A.

VARIABLES	Swinging Terrace	Swinging French Terrace
<b>Function</b>		
Use for Egress	●	●
Multi-point Hardware	●	●
<b>Durability</b>		
Low Maintenance Metal Clad Exterior	●	●
Clear Douglas Fir Exterior Finish	○	○
Clear Mahogany Exterior Finish	○	○
Primed Exterior Finish	○	○
Cyprium Collection	○	○
<b>Performance</b>		
LowE Double	●	●
LowE Triple	○	○
StormForce™	○	○
<b>Appearance</b>		
SDL	○	○
Vertical Grain Fir Panel	●	●

## Specifications

### Standards

Most individual units have been tested by an independent laboratory for air and water infiltration, structural performance and thermal performance requirements.

### Panel & Frame

Manufactured with Coastal Douglas Fir. Bronze anodized aluminum door sill with bronze vinyl extruded thermal break.

All exterior wood components are factory primed unless specified as clear exterior. Minor scratches or abrasions are not considered defects.

### Alternate Species

The entire Loewen product line is also available in optional Mahogany. Preservative Treated

### Preservative Treated

All wood parts are dipped in approved preservative.

### Glazing

With countless glazing configurations and glazing coatings options, we ensure that you can choose the perfect blend of protection and comfort.

### Insulating Glass

Double or triple glass configurations with 1/2" (13 mm) airspace.

### LowE Systems

LowE best describes the benefits of the product that incorporates glazing coatings and Argon gas. LowE systems help reduce heating and cooling costs, providing superior energy efficiency.

### Simulated Divided Lites (SDL)

Standard SDL complete with airspace grilles. Grille bars are permanently applied to the interior and exterior.

### Metal Cladding

Heavy duty exterior metal cladding comprised of extruded aluminum is available in a variety of Palette colors, including anodized and Cyprium (copper and bronze cladding). Interior of window can be natural wood (unfinished) or primed. Metal clad units are supplied ready-to-install complete with integral metal nailing flange.

### Hardware

Multipoint locking hardware – complete with brass handle set and escutcheon – and dead bolt are standard on all Terrace Doors. Optional keyed alike locks are available. Standard concealed bearing hinges in a variety of finishes are available.

**Note:** French doors with handle activated shoot bolts on inactive panel.

### Weatherstripping

High grade weatherstripping runs the full perimeter of the panel/frame interface and provides a tight seal to the exterior elements. Side and head jamb weatherstrip are comprised of a bulb and fin dual seal design.

### Door Swings

Traditional Terrace Door: Hinged in the middle so that one panel is fixed, while the other opens/closes. These doors can be configured as a single door, or as a series of fixed, operating, left hinged or right hinged panels.

**French Terrace Doors:** Hinged on the jambs to allow both doors to open/close from the middle.

**Note:** Outswinging versions of both door styles are available as options.

Visit the Loewen Photo Gallery online at [www.loewen.com](http://www.loewen.com) for a large collection of Loewen product and elevation photography.

Numerous custom window configuration opportunities exist – please contact your Authorized Loewen Dealer.

Specifications and technical information are subject to change without notice. Imperial and metric measurements are converted accurately. However, in some cases, industry standards cause a 1 mm variance. (Example: 3/4" is shown as 19 mm for all glass measurements.) Cad Download: [www.loewen.com/architect](http://www.loewen.com/architect) | Installation Instructions: [www.loewen.com](http://www.loewen.com)

## Loewen Narrow Stile Terrace Door

### Features

- Narrower stiles and rails compared to standard Terrace Door panels
- Incorporates standard Terrace Door frame and sill
- Available as inswing, outswing, and fixed Terrace Doors
- Available for BiFold
- Metal Clad only in all current finishes with the exception of Cyprium
- Not available in shaped units, rectangle only

### Sizes

- Maximum sizes for a single Terrace Door (TD1) is a width of 36" (924mm) and a height of 106 5/16" (2700mm) or a width of 40 5/16" (1024mm) and a height of 94 1/2" (2400mm)
  - Rough Opening and OSM remains the same as a standard Terrace Door, refer to TD1-0927 and TD1-1024 in the Loewen Technical Guide
- Maximum sizes for a French Door (FD2) is a width of 72" (1829mm) and a height of 106 5/16" (2700mm) or a width of 79" (2029mm) and a height of 94 1/2" (2400mm)
  - Rough Opening and OSM remains the same as a standard Terrace Door, refer to FD2-1827 and FD2-2024 in the Loewen Technical Guide



### Options

- Optional 7" bottom rail to align with other Terrace Door / French Door units on the job
- Ogee, Putty, Square interior glazing stops are all available along with complementary SDL bars
- All current Terrace Door handle sets are available, including the new Dallas handle set



Out-Swing



In-Swing

## Loewen Outswing 2.25" Terrace Door

### New Thicker Panel

Loewen Windows and Doors is pleased to introduce our newest addition to the swinging door Family of products, the 2 1/4" Door. This new option of door has been designed to meet the demands of the luxury market. The thicker, more robust panel provides the valued element of mass which equates to a higher quality experience while using the product. The narrow stile elevation along with the new thicker panel makes for a great contemporary design solution.

### Simple Design, Elaborate Performance

**Minimal 3" profile and high-performance triple glazing.**

Our 2 1/4" door brings with it a new level of robust design that you can hear and feel.

Triple glazing is easily executed giving you better thermal and sound performance. However, one can't overlook the simple benefits of interacting with a door this substantial. You can see the strength before you lay a hand on it. However, feeling the weight, hearing the contact of door to frame is the real experience.

### Specifications

- Panel is a 2 3/8" thick rabbeted panel
- Allows for "True Triple" high performance glazing with 1/2" airspace
- Standard configuration - stile (4 5/16") and bottom rail (7 7/8")
- Optional 3" narrow stile configuration - stile (3") and bottom rail (4 5/16")
- Optional ADA flat sill with 10" tall bottom rail
- Optional midrail and both flat and raised panels
- Fixed Sidelites only
- Sightlines of transom will align with door below
  - Transom sash and door panel align - are on the same plane.



### Features

- All of the below features are available or remain unaffected from the standard (1 3/4") Terrace Door.
- Wood Type (Vertical Grain Douglas Fir or Mahogany)
- Glazing, Glazing Stop, and SDL Options
- Architectural Casings
- Hardware
- Standard Frame sizes and size limitations
- Composite splash guard

### Performance Data

- All NFRC as well as NAFS (Air/Water/Structural) performance values remain consistent with existing 1 3/4" product option.
- Impact performance and certification remains unchanged from the existing 1 3/4" product option.

## Narrow Stile Terrace Door 1 Wide Sizes

					Width											
Rough Opening Inswing with Jamb Extension <sup>1</sup>					19 1/8 [485]	25 [635]	31 7/8 [809]	35 1/8 [892]	37 3/4 [959]	41 11/16 [1059]						
					Rough Opening <sup>2</sup>					18 7/16 [469]	24 3/8 [619]	31 1/4 [793]	34 1/2 [876]	37 1/8 [943]	41 1/16 [1043]	
					Frame					17 11/16 [450]	23 5/8 [600]	30 1/2 [774]	33 3/4 [857]	36 3/8 [924]	40 5/16 [1024]	
					Panel					15 13/16 [402]	21 3/4 [552]	28 9/16 [726]	31 7/8 [809]	34 1/2 [876]	38 7/16 [976]	
					Visible Glass						7 3/16 [182]	13 1/16 [332]	19 15/16 [506]	23 3/16 [589]	25 13/16 [656]	29 3/4 [756]
					TRANSOM											
16 5/8 [422]	16 5/16 [415]	15 3/4 [400]	13 7/8 [352]	9 11/16 [246]	* TDT1 0404	* TDT1 0604	* TDT1 0704	* TDT1 0804	* TDT1 0904	* TDT1 1004						
24 1/2 [622]	24 3/16 [615]	23 5/8 [600]	21 3/4 [552]	17 9/16 [446]	* TDT1 0406	* TDT1 0606	* TDT1 0706	* TDT1 0806	* TDT1 0906	* TDT1 1006						
					VENTING SIDELITE		DOORS									
80 3/8 [2042]	80 1/8 [2035]	79 1/2 [2020]	76 7/16 [1942]	63 7/8 [1623]	~ TD1 0420	~ TD1 0620	TD1 0720	TD1 0820	TD1 0920	TD1 1020						
82 3/16 [2087]	81 7/8 [2080]	81 5/16 [2065]	78 1/4 [1987]	65 11/16 [1668]	~ TD1 0421	~ TD1 0621	TD1 0721	TD1 0821	TD1 0921	TD1 1021						
86 7/8 [2206]	86 9/16 [2199]	86 [2184]	82 15/16 [2106]	70 3/8 [1787]	~ TD1 0470	~ TD1 0670	TD1 0770	TD1 0870	TD1 0970	TD1 1070						
95 3/8 [2422]	95 1/16 [2415]	94 1/2 [2400]	91 7/16 [2322]	78 7/8 [2003]	~ TD1 0424	~ TD1 0624	TD1 0724	TD1 0824	TD1 0924	TD1 1024						
98 1/4 [2496]	98 [2489]	97 3/8 [2474]	94 5/16 [2396]	81 3/4 [2077]			TD1 0780	TD1 0880	TD1 0980							
99 15/16 [2538]	99 5/8 [2531]	99 1/16 [2516]	96 [2438]	83 7/16 [2119]			TD1 0725	TD1 0825	TD1 0925							
107 3/16 [2722]	106 7/8 [2715]	106 5/16 [2700]	103 1/4 [2622]	90 11/16 [2303]			TD1 0727	TD1 0827	TD1 0927							
Product Code																

Glass Size = Visible Glass + 15/16" (24 mm)

Standard sizes shown. Additional sizes may be available. Custom sizes can be ordered.

- Note:
- SDL/Grille patterns are dependent on SDL/Grille type and window size. Please verify SDL/Grille patterns before confirming your order.
  - Half round doors are available in wood exterior.
    - \* Transom units.
    - ~ Venting or Fixed Sidelite.
  - 1 Inswing doors with jamb extensions (other than 4 9/16" (116 mm) & 6 9/16" (166 mm) full jamb).
  - 2 Outswing doors (all) and inswing doors without jamb extensions (4 9/16" (116 mm) & 6 9/16" (166 mm) full jamb).

## Narrow Stile Terrace Door 2 Wide Door Sizes

					Width								
Rough Opening Inswing with Jamb Extension <sup>1</sup>					60 7/16" [1535]	66 15/16" [1701]	72 1/4" [1835]	80 1/8" [2035]					
					Rough Opening <sup>2</sup>					59 13/16" [1519]	66 5/16" [1685]	71 5/8" [1819]	79 1/2" [2019]
					Frame					59 1/16" [1500]	65 9/16" [1666]	70 7/8" [1800]	78 3/4" [2000]
					Panel					28 9/16" [726]	31 7/8" [809]	34 1/2" [876]	38 7/16" [976]
					Visible Glass				22 11/16" [576]	25 15/16" [659]	28 9/16" [726]	32 1/2" [826]	
					TRANSOM								
16 5/8 [422]	16 5/16 [415]	15 3/4 [400]	13 7/8 [352]	9 11/16 [246]	* TDT2 1504	* TDT2 1604	* TDT2 1804	* TDT2 2004					
24 1/2 [622]	24 3/16 [615]	23 5/8 [600]	21 3/4 [552]	17 9/16 [446]	* TDT2 1506	* TDT2 1606	* TDT2 1806	* TDT2 2006					
					DOORS								
80 3/8 [2042]	80 1/8 [2035]	79 1/2 [2020]	76 7/16 [1942]	68 13/16 [1748]	TD2 1520	TD2 1620	TD2 1820	TD2 2020					
82 3/16 [2087]	81 7/8 [2080]	81 5/16 [2065]	78 1/4 [1987]	70 9/16 [1793]	TD2 1521	TD2 1621	TD2 1821	TD2 2021					
86 7/8 [2206]	86 9/16 [2199]	86 [2184]	82 15/16 [2106]	75 1/4 [1912]	TD2 1570	TD2 1670	TD2 1870	TD2 2070					
95 3/8 [2422]	95 1/16 [2415]	94 1/2 [2400]	91 7/16 [2322]	83 3/4 [2128]	TD2 1524	TD2 1624	TD2 1824	TD2 2024					
98 1/4 [2496]	98 [2489]	97 3/8 [2474]	94 5/16 [2396]	86 11/16 [2202]	TD2 1580	TD2 1680	TD2 1880						
99 15/16 [2538]	99 5/8 [2531]	99 1/16 [2516]	96 [2438]	88 3/8 [2244]	TD2 1525	TD2 1625	TD2 1825						
107 3/16 [2722]	106 7/8 [2715]	106 5/16 [2700]	103 1/4 [2622]	95 9/16 [2428]	TD2 1527	TD2 1627	TD2 1827						
Product Code													

Glass Size = Visible Glass + 15/16" (24 mm)

Standard sizes shown. Additional sizes may be available. Custom sizes can be ordered.

- Note:
- SDL/Grille patterns are dependent on SDL/Grille type and window size. Please verify SDL/Grille patterns before confirming your order.
  - Half round doors are available in wood exterior.
    - \* Transom units.
    - ~ Venting or Fixed Sidelite.
  - 1 Inswing doors with jamb extensions (other than 4 9/16" (116 mm) & 6 9/16" (166 mm) full jamb).
  - 2 Outswing doors (all) and inswing doors without jamb extensions (4 9/16" (116 mm) & 6 9/16" (166 mm) full jamb).

## Narrow Stile Terrace Door 3 Wide Door Sizes

					Width			
<b>Rough Opening Inswing with Jamb Extension<sup>1</sup></b>					89" [2261]	98 13/16" [2510]	106 3/4" [2711]	118 9/16" [3011]
<b>Rough Opening<sup>2</sup></b>					88 3/8" [2245]	98 3/16" [2494]	106 1/16" [2695]	117 7/8" [2995]
<b>Frame</b>					87 5/8" [2226]	97 7/16" [2475]	105 5/16" [2676]	117 1/8" [2976]
<b>Panel</b>					28 9/16" [726]	31 7/8" [809]	34 1/2" [876]	38 7/16" [976]
<b>Visible Glass</b>					22 11/16" [576]	25 15/16" [659]	28 9/16" [726]	32 1/2" [826]
					TRANSOM			
16 5/8 [422]	16 5/16 [415]	15 3/4 [400]	13 7/8 [352]	9 11/16 [246]	* TDT3 2204	* TDT3 2404	* TDT3 2704	* TDT3 3004
24 1/2 [622]	24 3/16 [615]	23 5/8 [600]	21 3/4 [552]	17 9/16 [446]	* TDT3 2206	* TDT3 2406	* TDT3 2706	* TDT3 3006
					DOORS			
80 3/8 [2042]	80 1/8 [2035]	79 1/2 [2020]	76 7/16 [1942]	68 13/16 [1748]	TD3 2220	TD3 2420	TD3 2720	TD3 3020
82 3/16 [2087]	81 7/8 [2080]	81 5/16 [2065]	78 1/4 [1987]	70 9/16 [1793]	TD3 2221	TD3 2421	TD3 2721	TD3 3021
86 7/8 [2206]	86 9/16 [2199]	86 [2184]	82 15/16 [2106]	75 1/4 [1912]	TD3 2270	TD3 2470	TD3 2770	TD3 3070
95 3/8 [2422]	95 1/16 [2415]	94 1/2 [2400]	91 7/16 [2322]	83 3/4 [2128]	TD3 2224	TD3 2424	TD3 2724	TD3 3024
98 1/4 [2496]	98 [2489]	97 3/8 [2474]	94 5/16 [2396]	86 11/16 [2202]	TD3 2280	TD3 2480	TD3 2780	
99 15/16 [2538]	99 5/8 [2531]	99 1/16 [2516]	96 [2438]	88 3/8 [2244]	TD3 2225	TD3 2425	TD3 2725	
107 3/16 [2722]	106 7/8 [2715]	106 5/16 [2700]	103 1/4 [2622]	95 9/16 [2428]	TD3 2227	TD3 2427	TD3 2727	
					Product Code			

Glass Size = Visible Glass + 15/16" (24 mm)

Standard sizes Shown. Additional sizes may be available. Custom sizes can be ordered.

- Note:
- SDL/Grille patterns are dependent on SDL/Grille type and window size. Please verify SDL/Grille patterns before confirming your order.
  - Half round doors are available in wood exterior.
    - \* Transom units.
    - 1 Inswing doors with jamb extensions (other than 4 9/16" (116 mm) & 6 9/16" (166 mm) full jamb).
    - 2 Outswing doors (all) and inswing doors without jamb extensions (4 9/16" (116 mm) & 6 9/16" (166 mm) full jamb).

## Narrow Stile Terrace Door 4 Wide Door Sizes

					Width			
<b>Rough Opening Inswing with Jamb Extension<sup>1</sup></b>					117 5/8" [2988]	130 11/16" [3320]	141 1/4" [3588]	157" [3988]
<b>Rough Opening<sup>2</sup></b>					117" [2972]	130 1/16" [3304]	140 5/8" [3572]	156 3/8" [3972]
<b>Frame</b>					116 1/4" [2953]	129 5/16" [3285]	139 7/8" [3553]	155 5/8" [3953]
<b>Panel</b>					28 9/16" [726]	31 7/8" [809]	34 1/2" [876]	38 7/16" [976]
<b>Visible Glass</b>					22 11/16" [576]	25 15/16" [659]	28 9/16" [726]	32 1/2" [826]
					TRANSOM			
16 5/8 [422]	16 5/16 [415]	15 3/4 [400]	13 7/8 [352]	9 11/16 [246]	* TDT4 3004	* TDT4 3204	* TDT4 3604	* TDT4 4004
24 1/2 [622]	24 3/16 [615]	23 5/8 [600]	21 3/4 [552]	17 9/16 [446]	* TDT4 3006	* TDT4 3206	* TDT4 3606	* TDT4 4006
					DOORS			
80 3/8 [2042]	80 1/8 [2035]	79 1/2 [2020]	76 7/16 [1942]	63 7/8 [1623]	TD4 3020	TD4 3220	TD4 3620	TD4 4020
82 3/16 [2087]	81 7/8 [2080]	81 5/16 [2065]	78 1/4 [1987]	65 11/16 [1668]	TD4 3021	TD4 3221	TD4 3621	TD4 4021
86 7/8 [2206]	86 9/16 [2199]	86 [2184]	82 15/16 [2106]	70 3/8 [1787]	TD4 3070	TD4 3270	TD4 3670	TD4 4070
95 3/8 [2422]	95 1/16 [2415]	94 1/2 [2400]	91 7/16 [2322]	78 7/8 [2003]	TD4 3024	TD4 3224	TD4 3624	TD4 4024
98 1/4 [2496]	98 [2489]	97 3/8 [2474]	94 5/16 [2396]	81 3/4 [2077]	TD4 3080	TD4 3280	TD4 3680	
99 15/16 [2538]	99 5/8 [2531]	99 1/16 [2516]	96 [2438]	83 7/16 [2119]	TD4 3025	TD4 3225	TD4 3625	
107 3/16 [2722]	106 7/8 [2715]	106 5/16 [2700]	103 1/4 [2622]	90 11/16 [2303]	TD4 3027	TD4 3227	TD4 3627	
					Product Code			

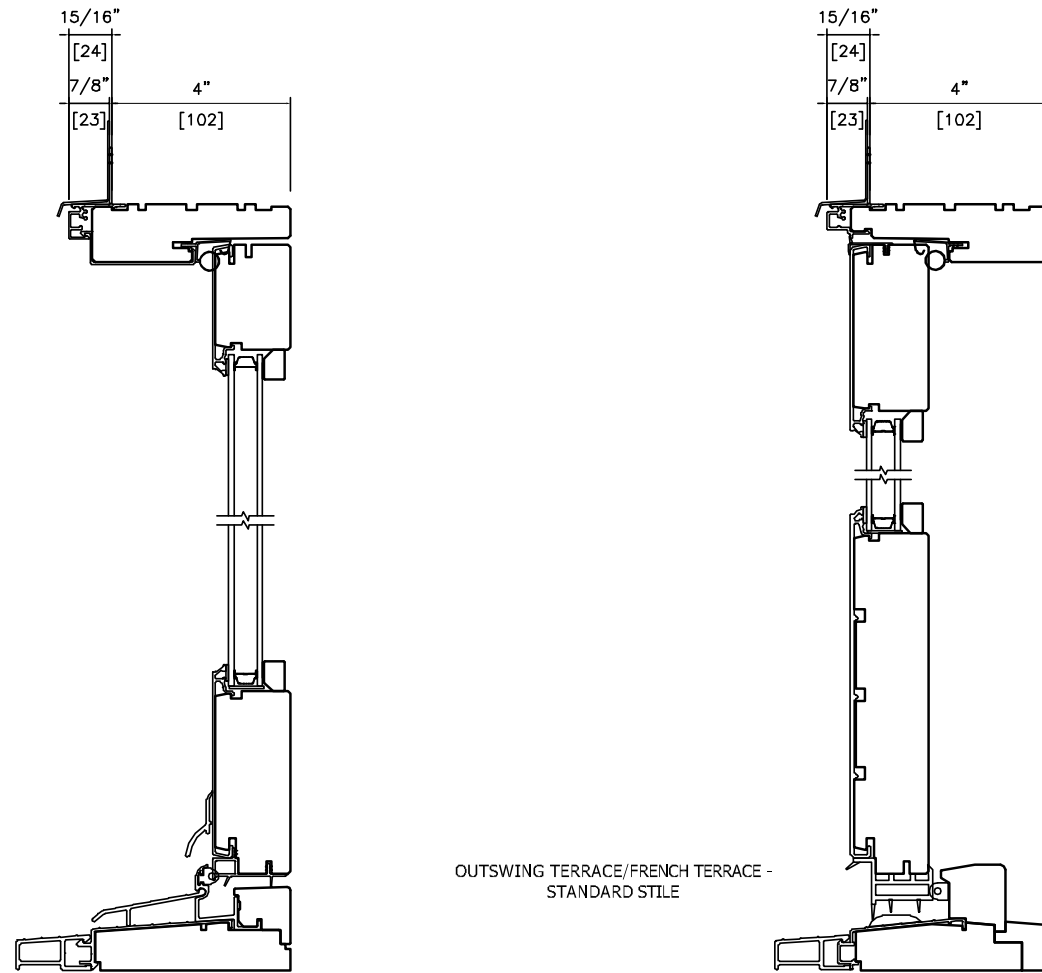
Glass Size = Visible Glass + 15/16" (24 mm)

Standard sizes Shown. Additional sizes may be available. Custom sizes can be ordered.

- Note:
- SDL/Grille patterns are dependent on SDL/Grille type and window size. Please verify SDL/Grille patterns before confirming your order.
  - Half round doors are available in wood exterior.
    - \* Transom units.
    - 1 Inswing doors with jamb extensions (other than 4 9/16" (116 mm) & 6 9/16" (166 mm) full jamb).
    - 2 Outswing doors (all) and inswing doors without jamb extensions (4 9/16" (116 mm) & 6 9/16" (166 mm) full jamb).

# Contemporary Frame Cladding Detail

## Head & Sill Detail



INSWING TERRACE/FRENCH TERRACE - NARROW STILE

OUTSWING TERRACE/FRENCH TERRACE - STANDARD STILE

## Casing

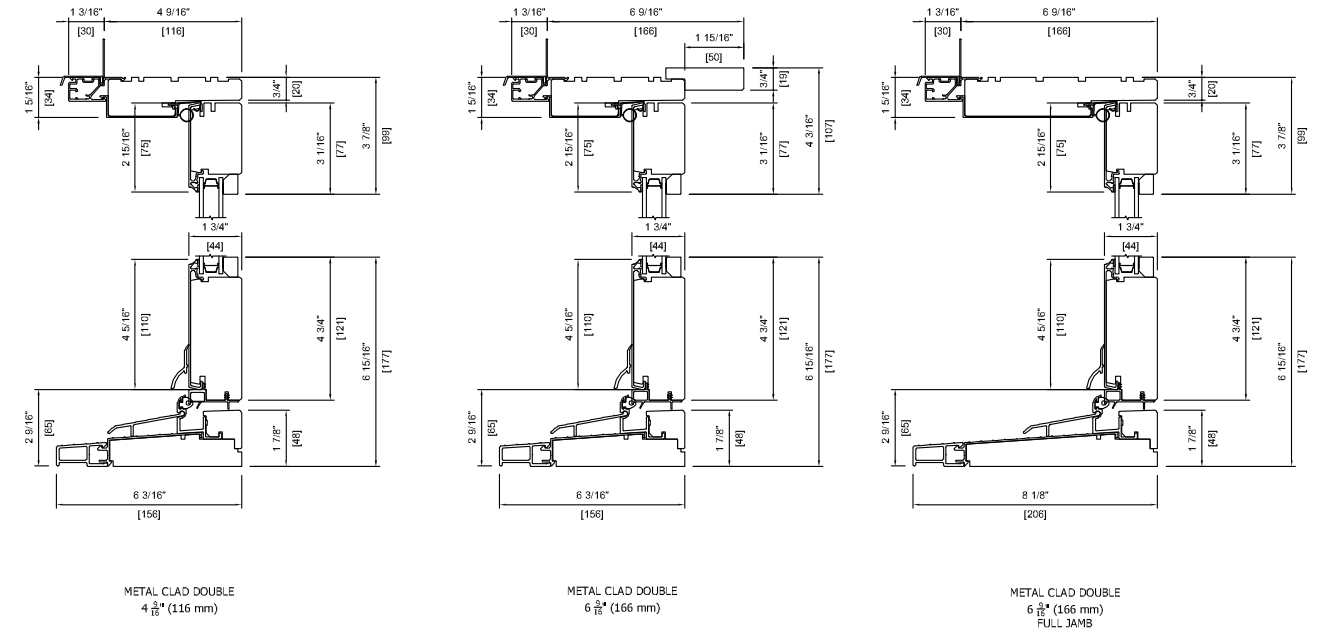


INSWING TERRACE/FRENCH TERRACE

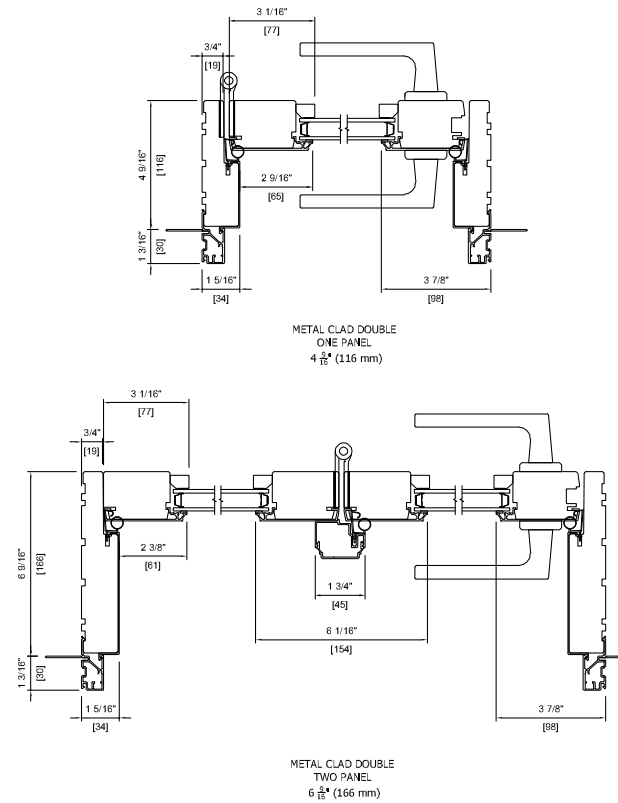
OUTSWING TERRACE/FRENCH TERRACE -

# Inswing 3" Narrow Stile Terrace Door Detail

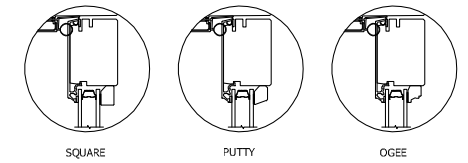
## Head & Sill Detail



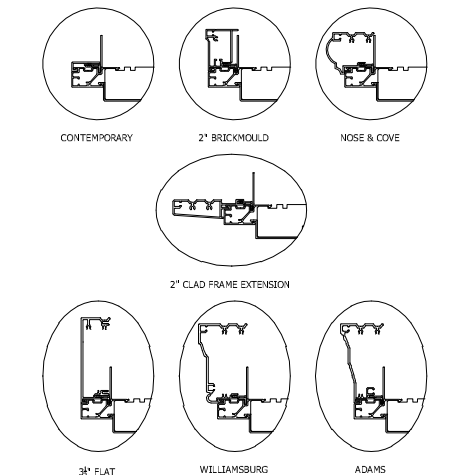
## Plan View



## Glazing Stop Profiles



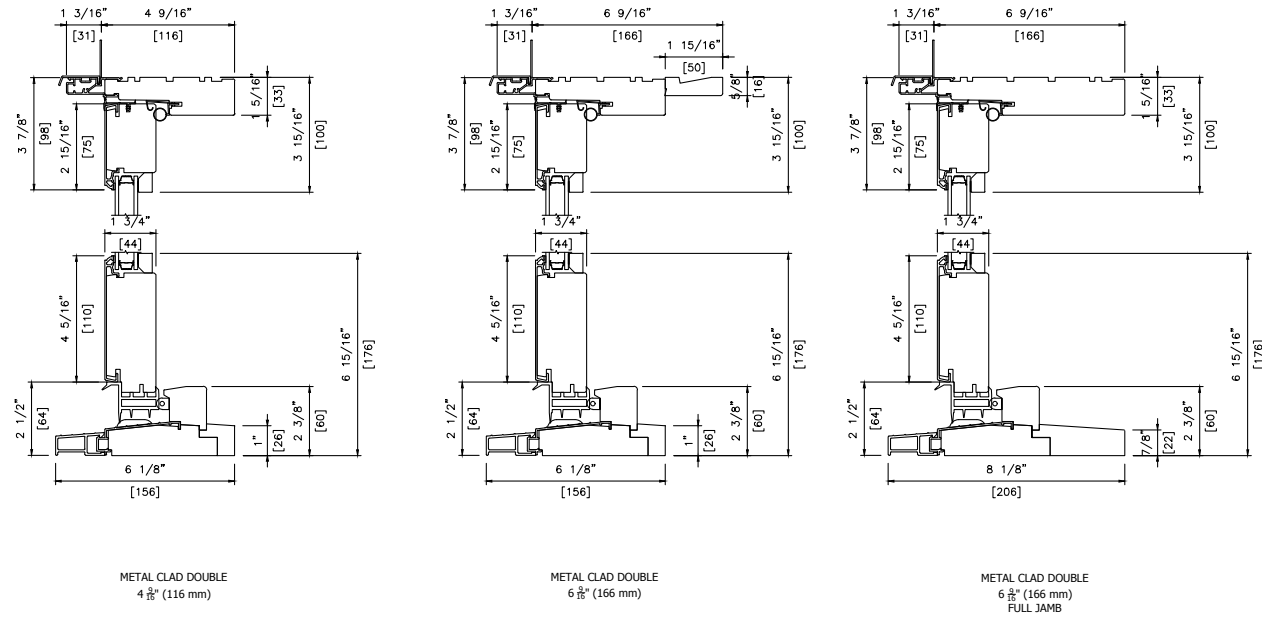
## Casing



Note: • Other jamb widths available.  
• All dimensions to have +/- 1/16" (2mm) tolerance.

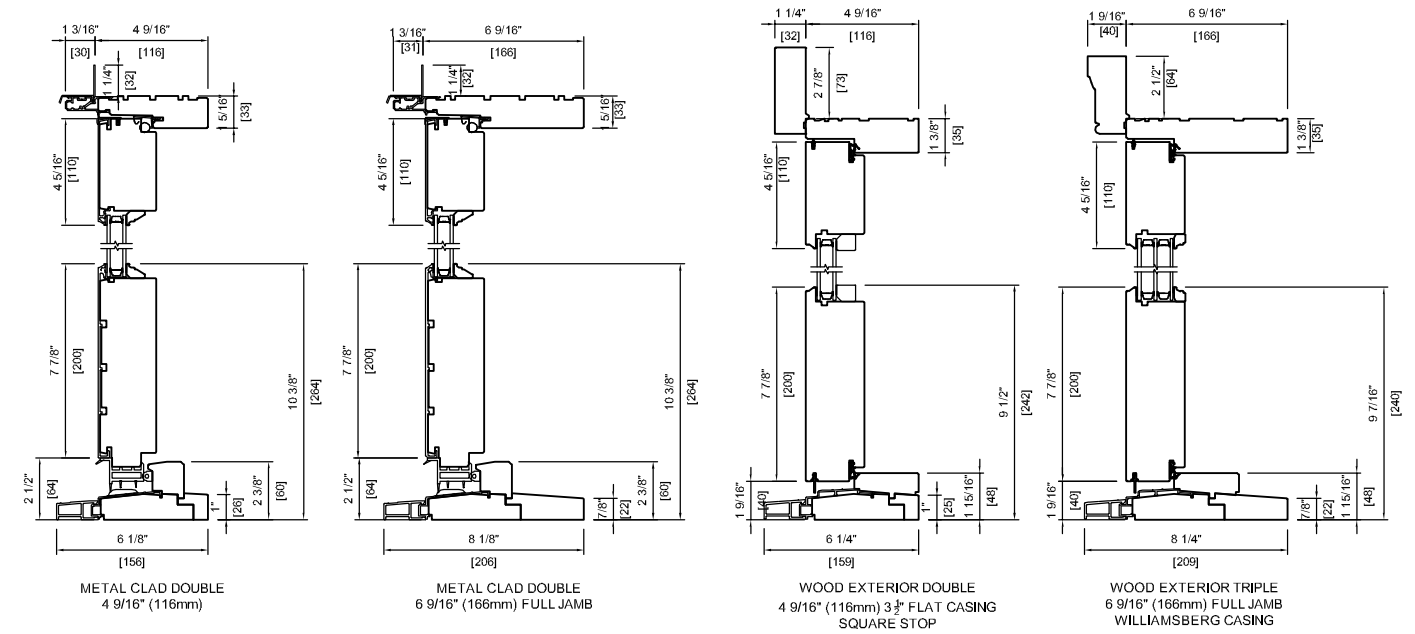
# Outswing 3" Narrow Stile Terrace Door Detail

## Head & Sill Detail

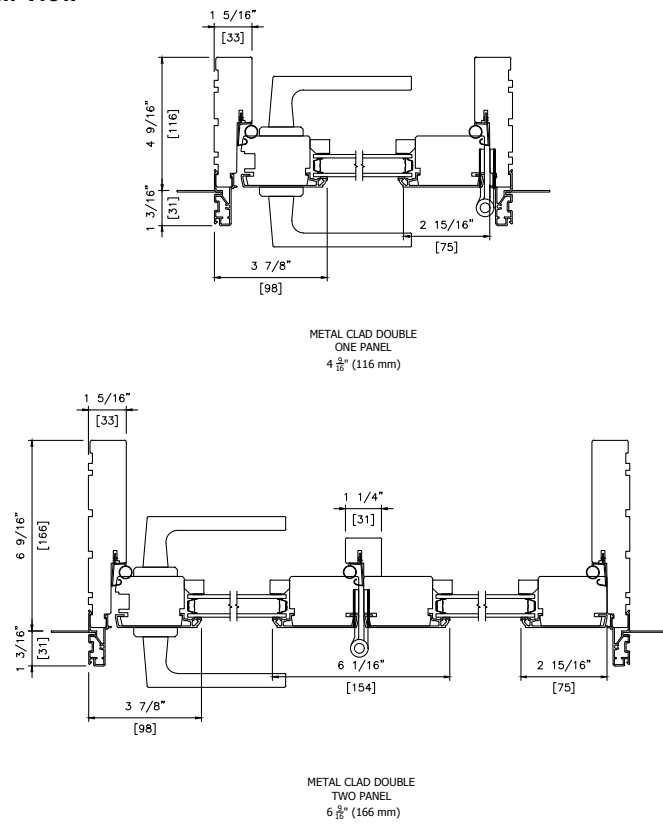


# Outswing 2 1/4" Standard Stile Terrace/French Terrace Door Detail

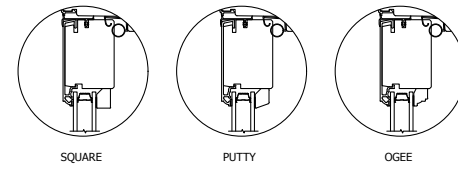
## Head & Sill Detail



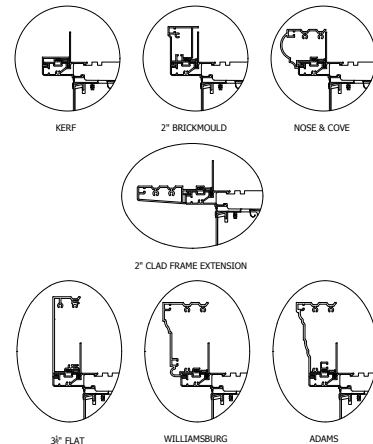
## Plan View



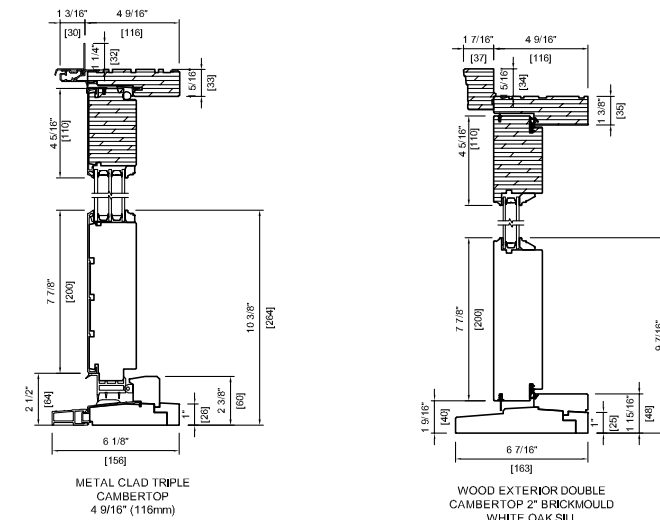
## Glazing Stop Profiles



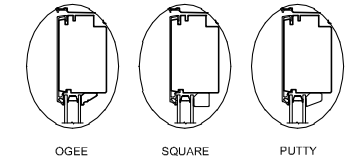
## Casing



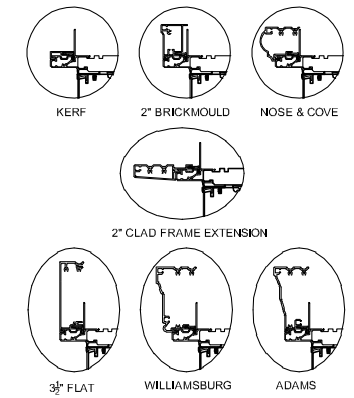
## Head & Sill Details



## Glazing Stop Profiles



## Casing

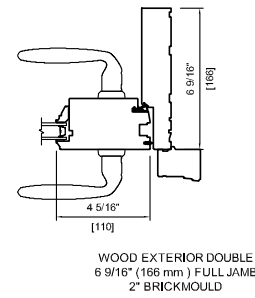
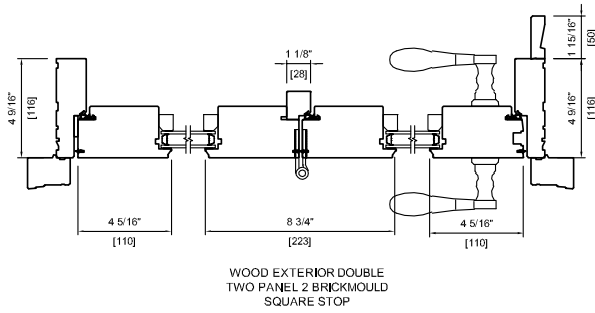
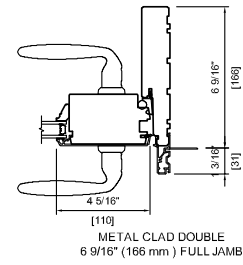
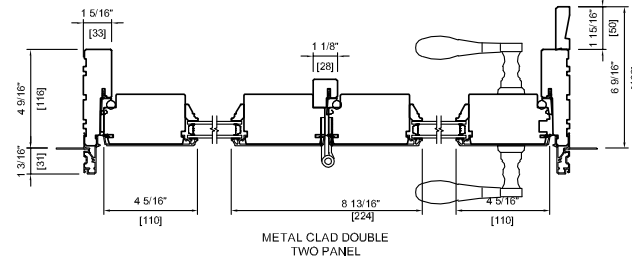


**Note:**

- Other jamb widths available.
- All dimensions to have +/- 1/16" (2mm) tolerance.

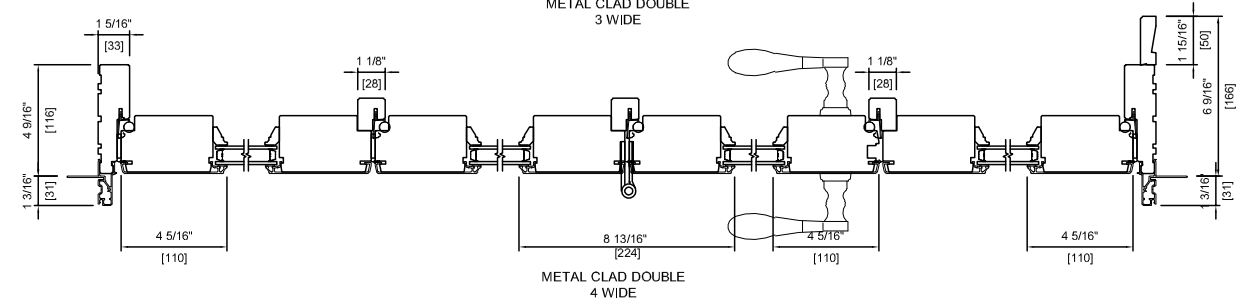
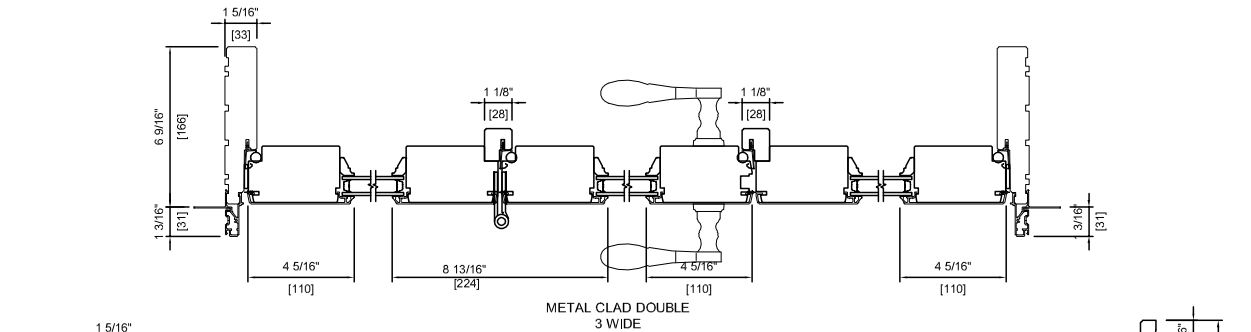
## Outswing 2 1/4" Standard Stile Terrace Door Detail

### Plan View

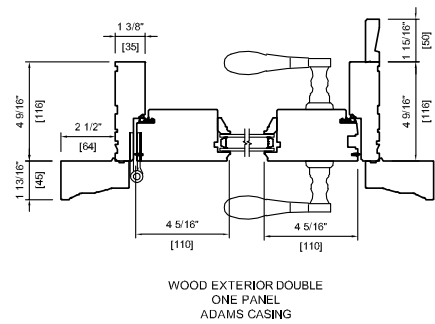
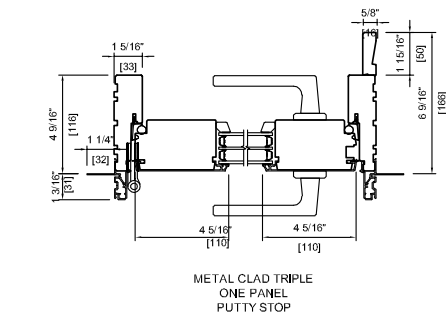


## Outswing 2 1/4" Standard Stile Terrace Door 3 & 4 Wide Detail

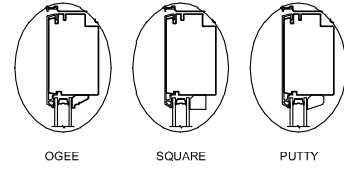
### Plan View



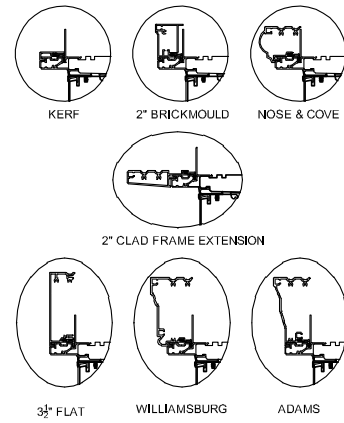
### Plan View



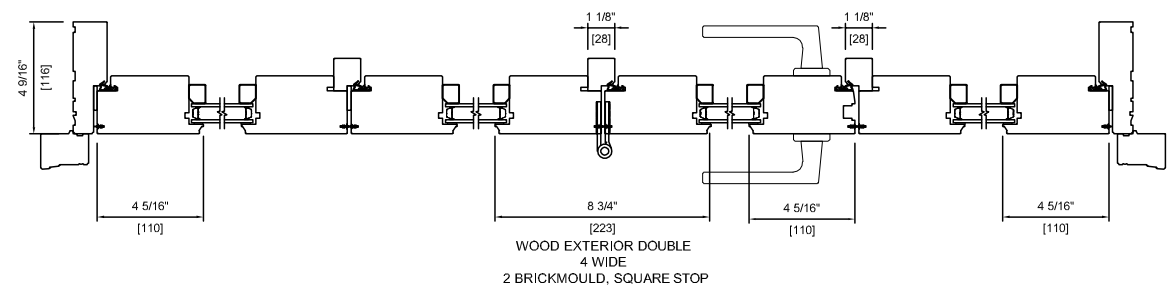
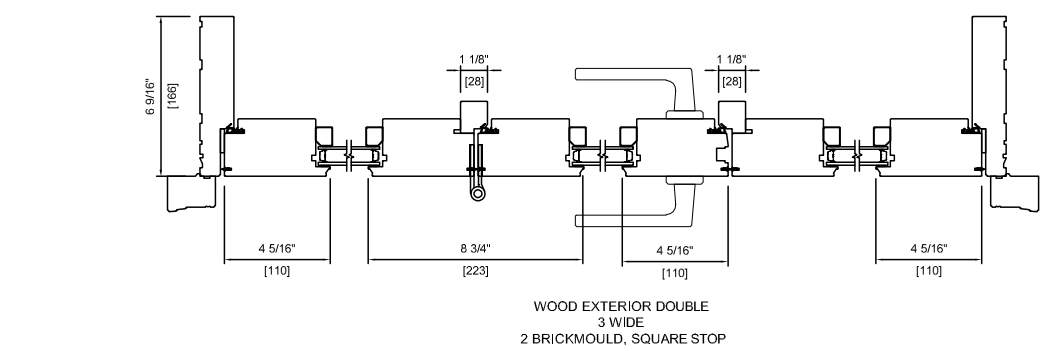
### Glazing Stop Profiles



### Casing



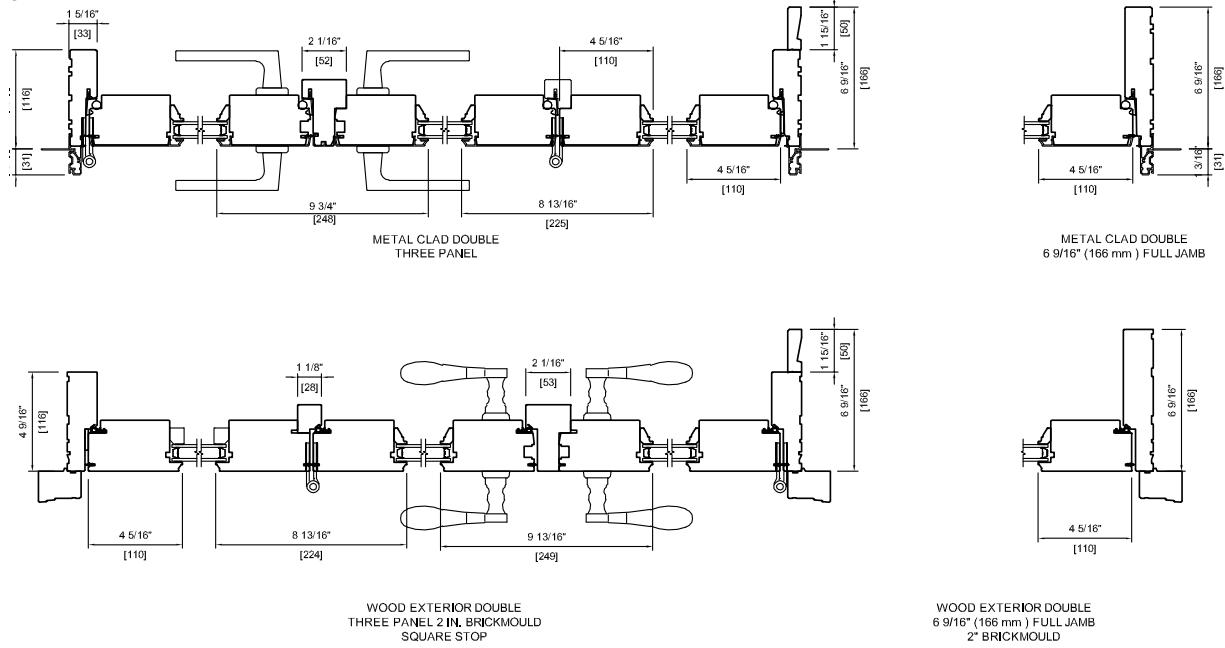
### Plan View





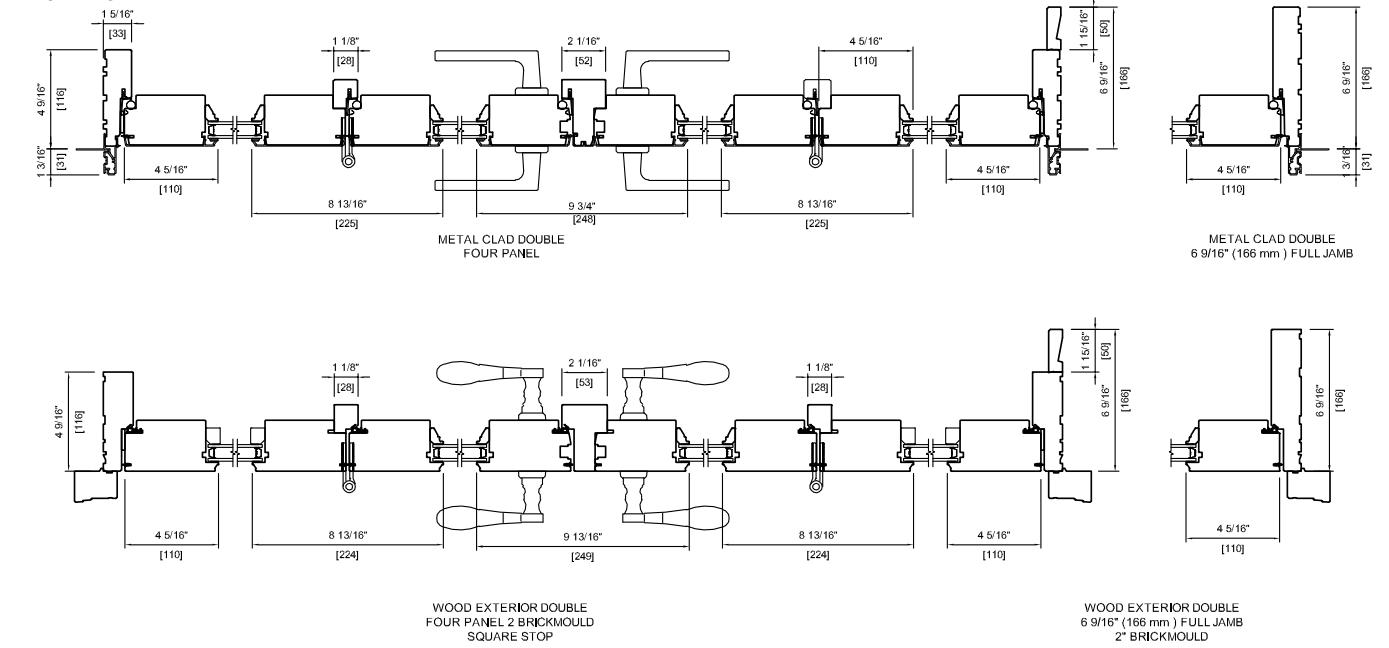
# Outswing 2 1/4" Standard Stile French Terrace Door Detail

## Plan View

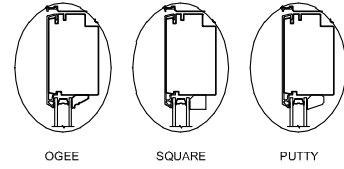


# Outswing 2 1/4" Standard Stile French Terrace Door Detail

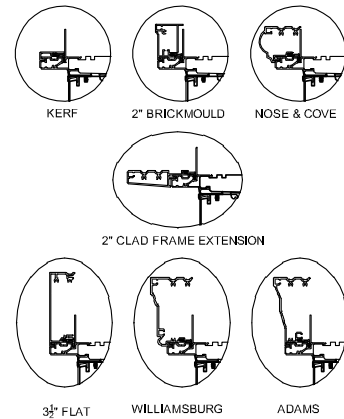
## Plan View



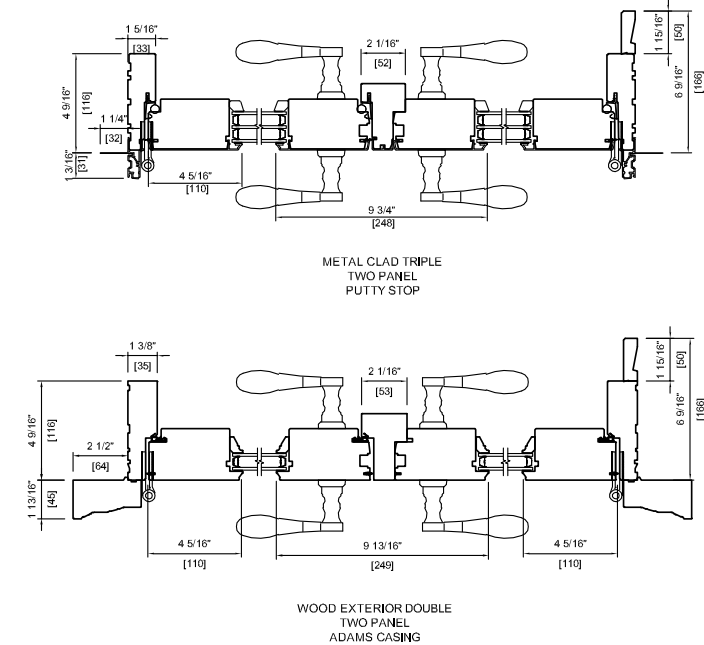
## Glazing Stop Profiles



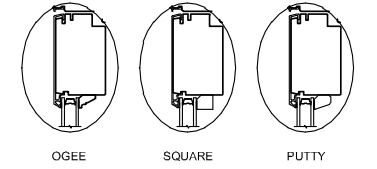
## Casing



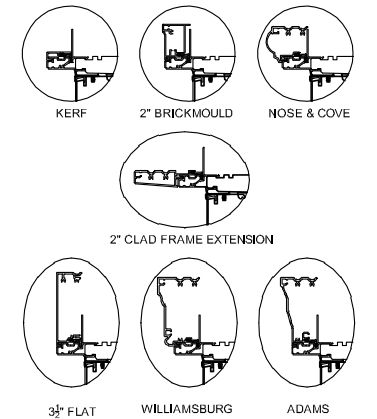
## Plan View



## Glazing Stop Profiles

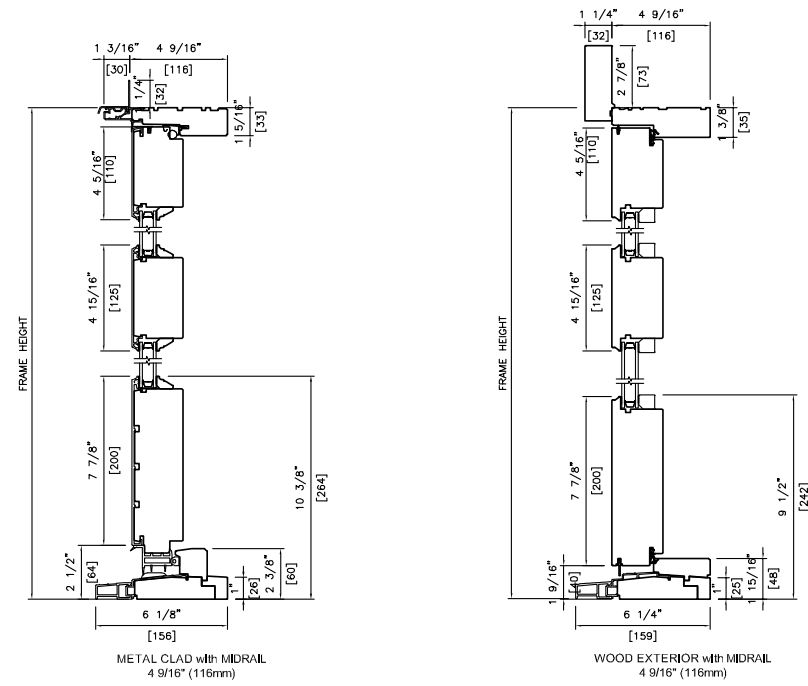


## Casing

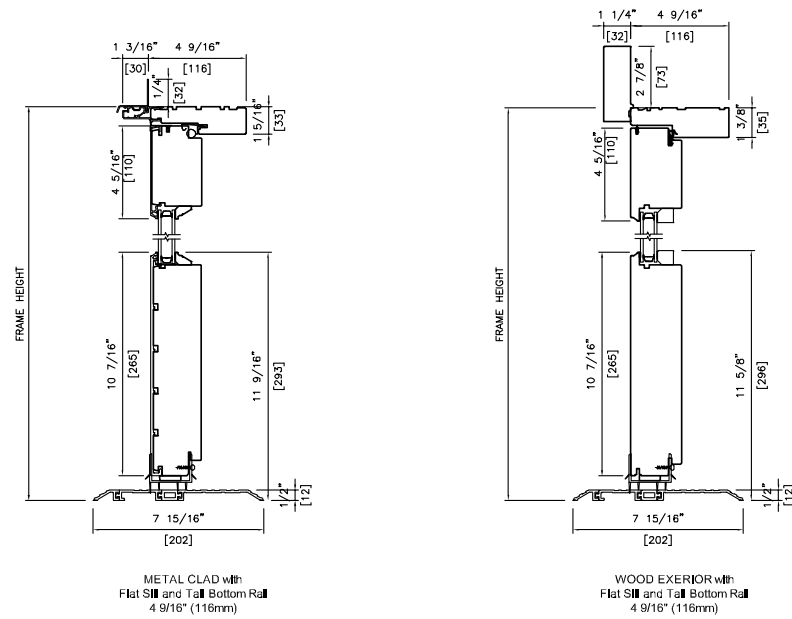


## Outswing 2 1/4" Standard Stile Terrace/French Terrace Door Detail (Midrail)

### Plan View

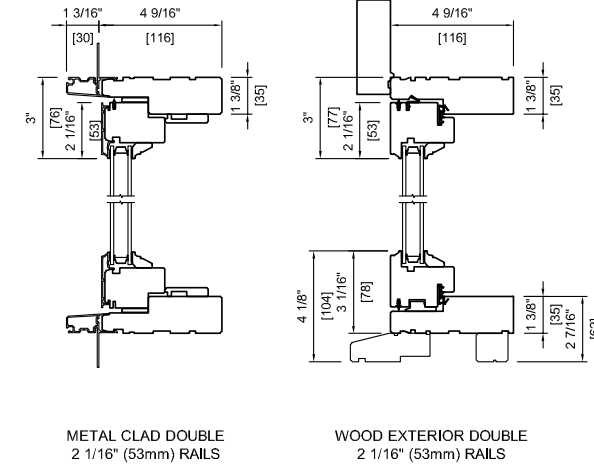


### Plan View

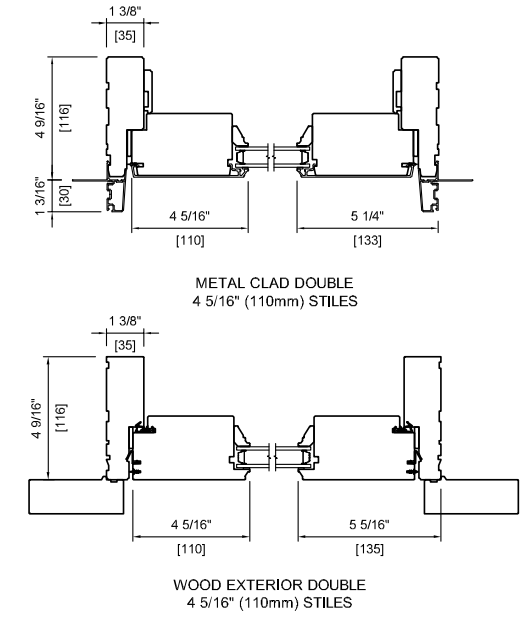


## Outswing 2 1/4" Standard Stile Terrace Door Transom Detail

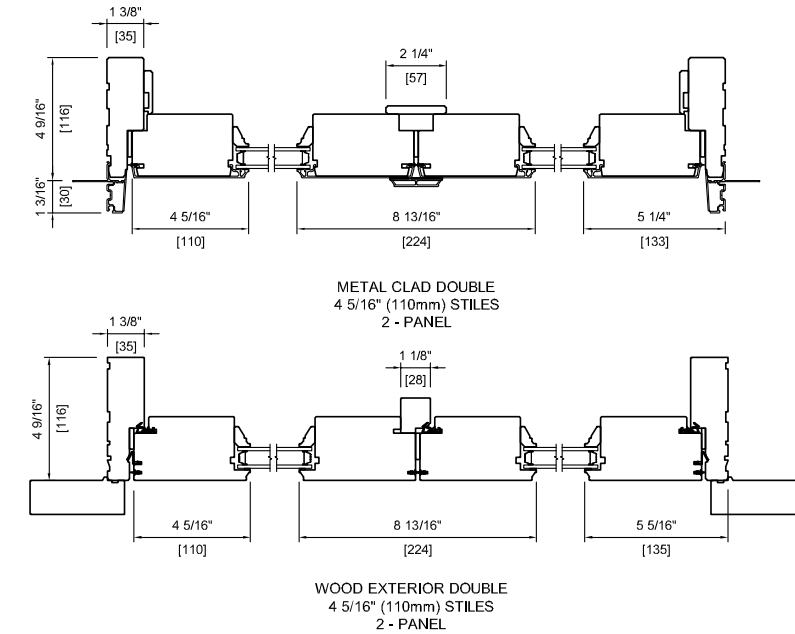
### Head & Sill



### Plan View

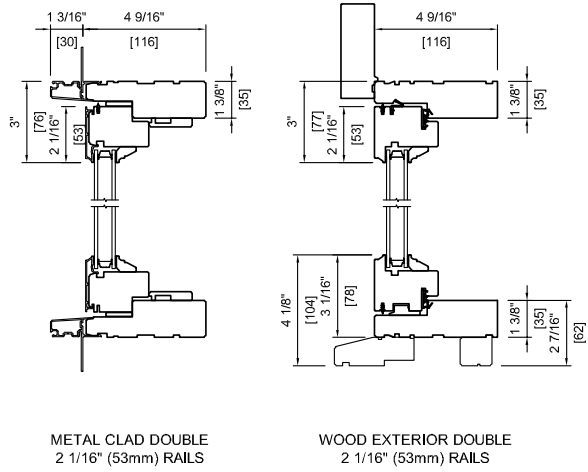


### Plan View



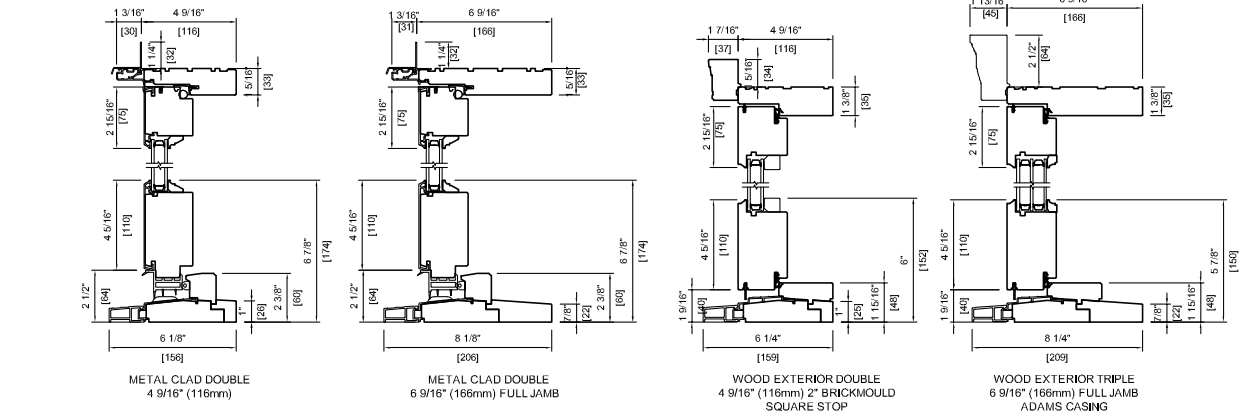
# Outswing 2 1/4" Standard Stile French Terrace Door Transom Detail

## Head & Sill

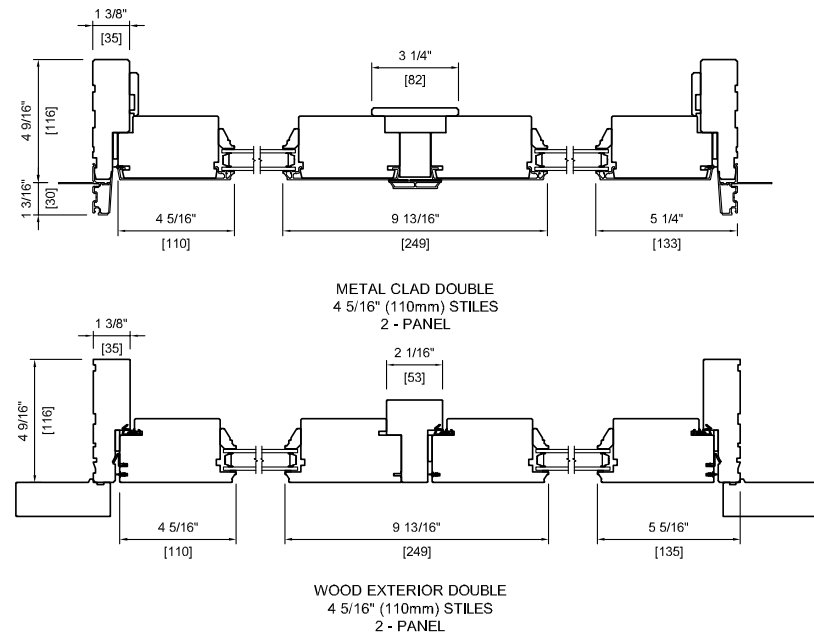


# Outswing 2 1/4" Narrow Stile Terrace/French Terrace Door Detail

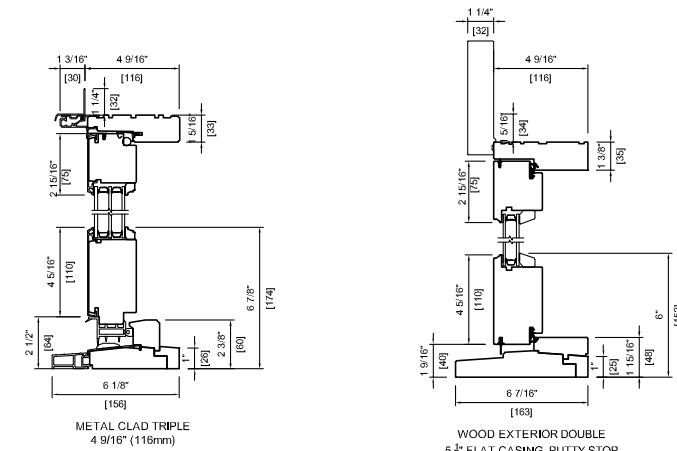
## Head & Sill Detail



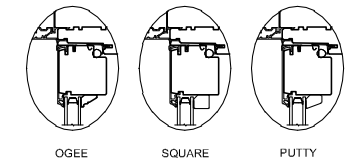
## Plan View



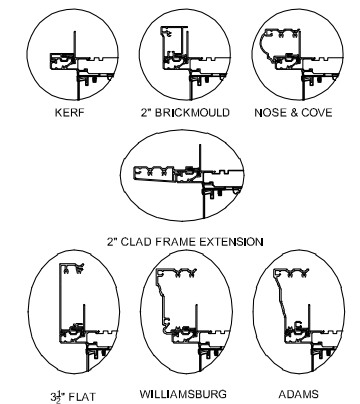
## Head & Sill Details



## Glazing Stop Profiles

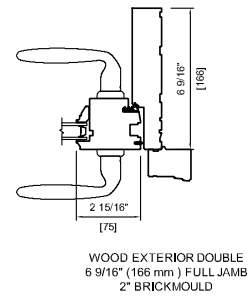
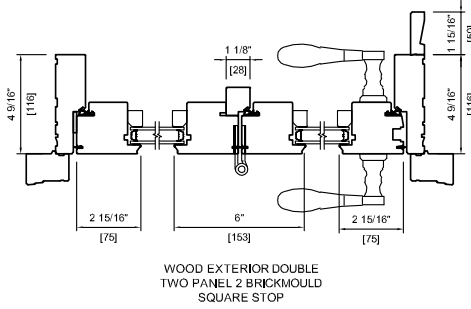
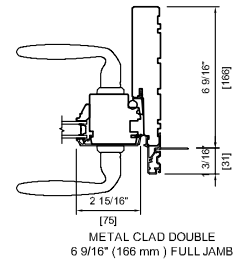
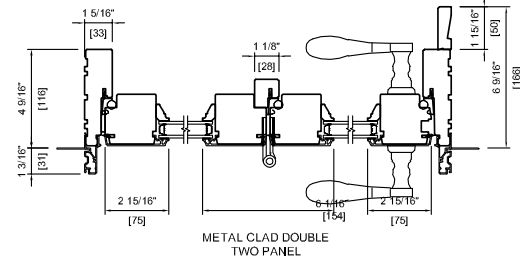


## Casing



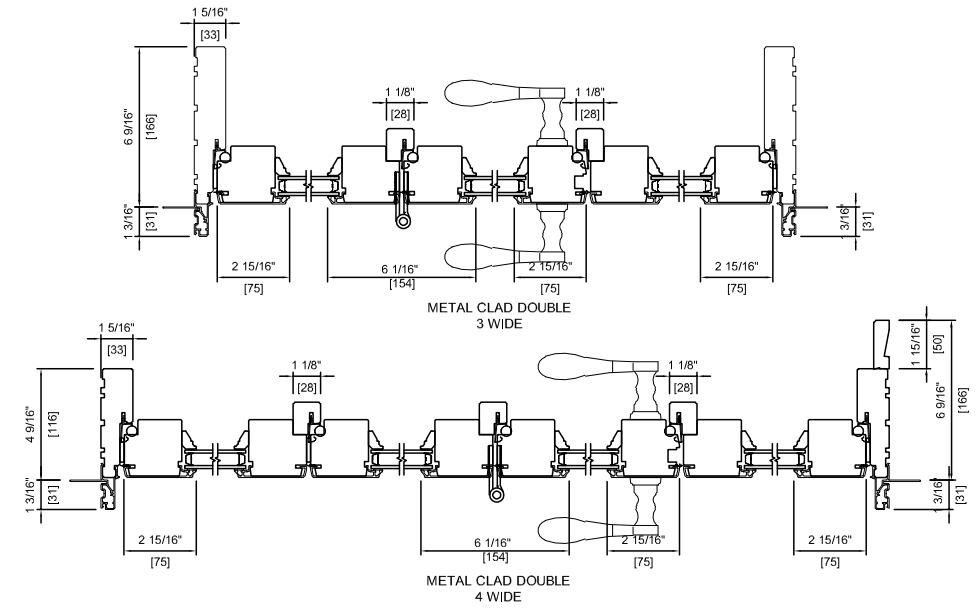
## Outswing 2 1/4" Narrow Stile Terrace Door Detail

### Plan View

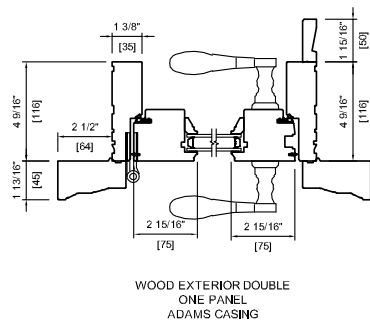
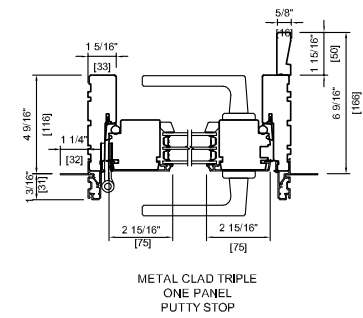


## Outswing 2 1/4" Narrow Stile Terrace Door 3 & 4 Wide Detail

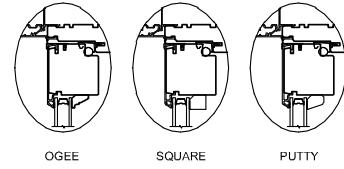
### Plan View



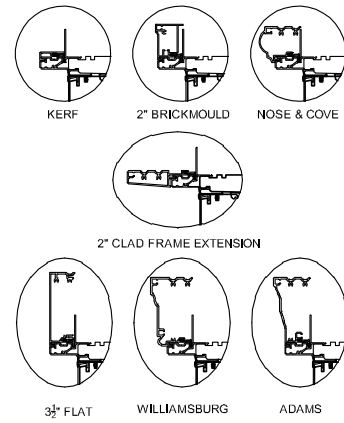
### Plan View



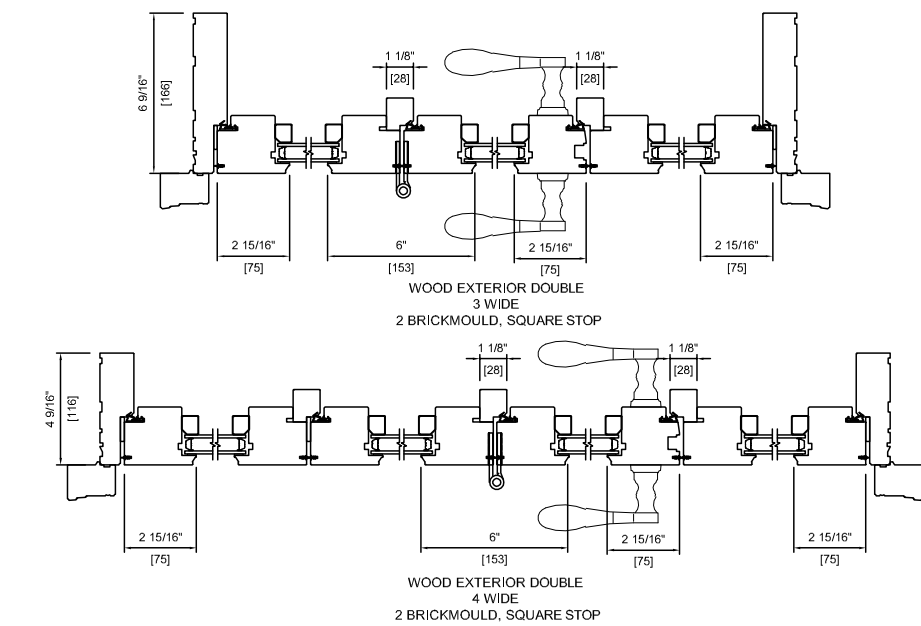
### Glazing Stop Profiles



### Casing

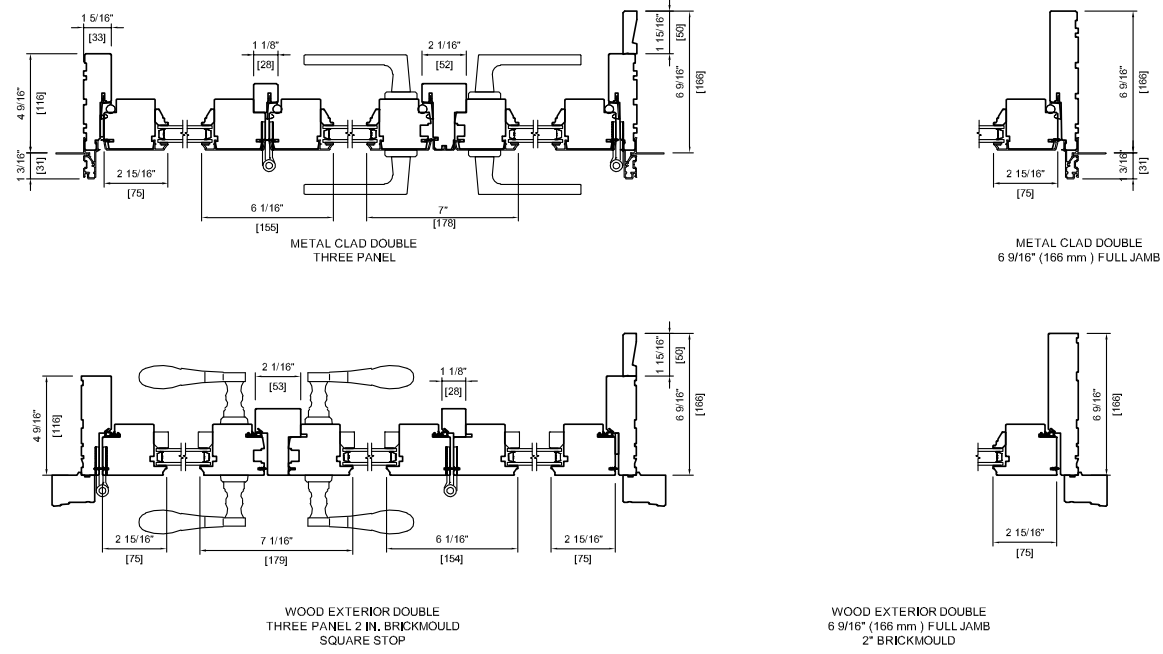


### Plan View



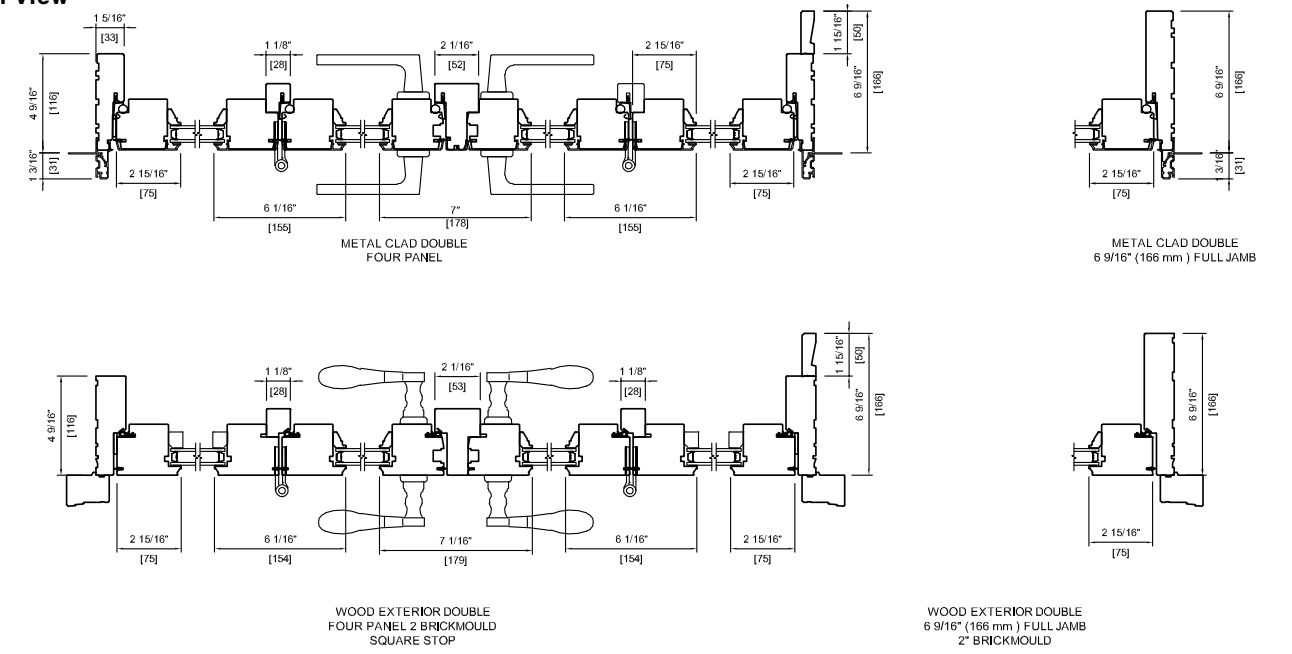
# Outswing 2 1/4" Narrow Stile French Terrace Door Detail

## Plan View

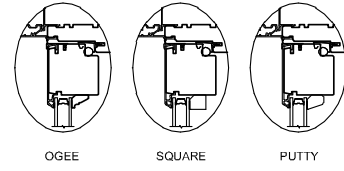


# Outswing 2 1/4" Narrow Stile French Terrace Door Detail

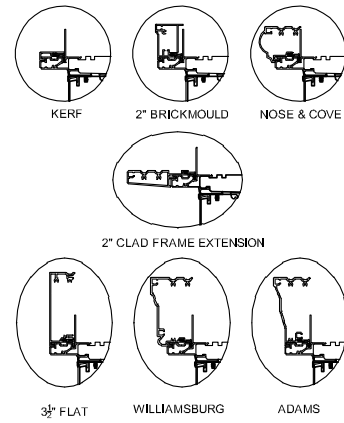
## Plan View



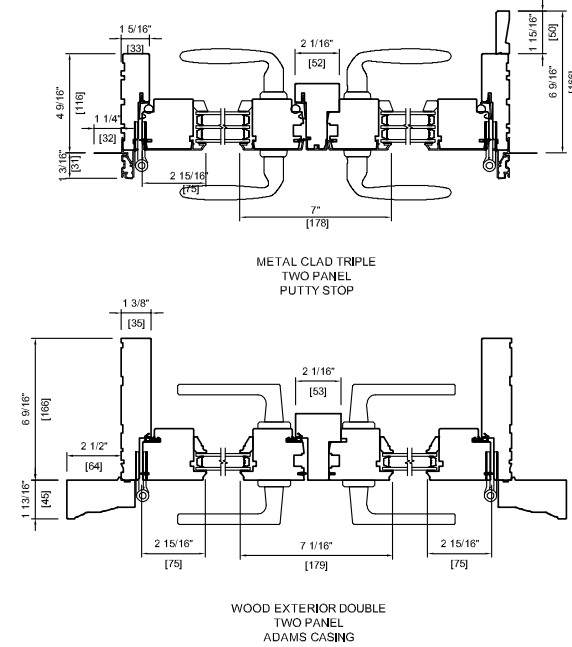
### Glazing Stop Profiles



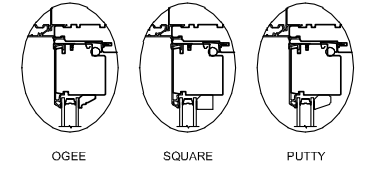
### Casing



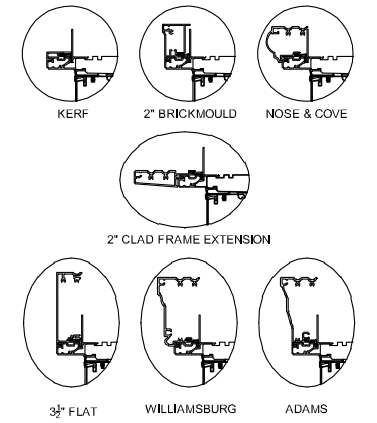
### Plan View



### Glazing Stop Profiles

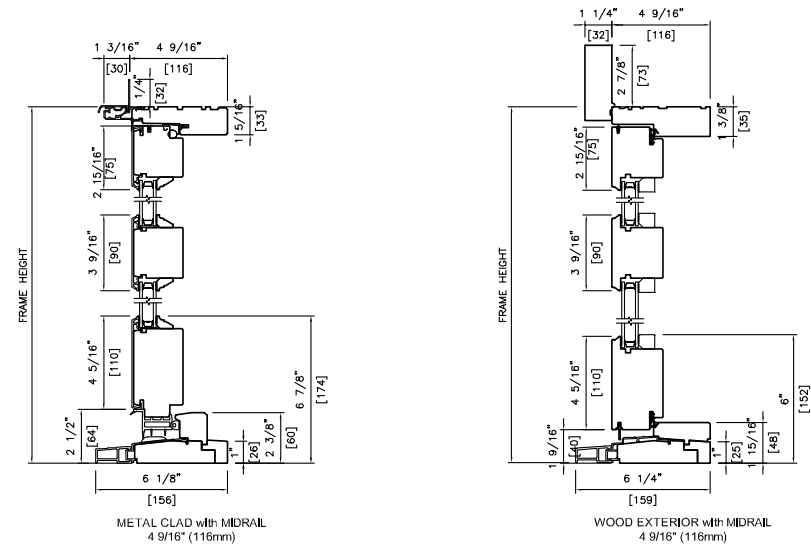


### Casing

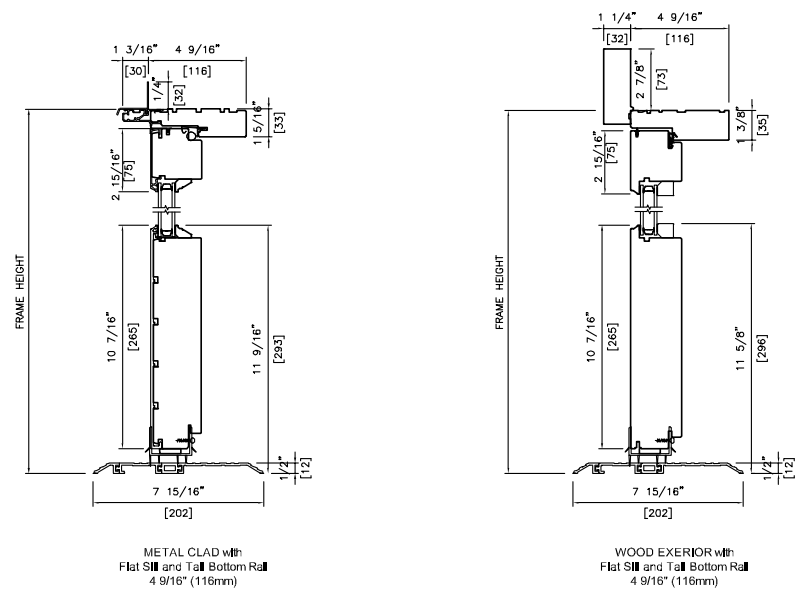


# Outswing 2 1/4" Narrow Stile Terrace/French Terrace Door Detail (Midrail)

## Plan View

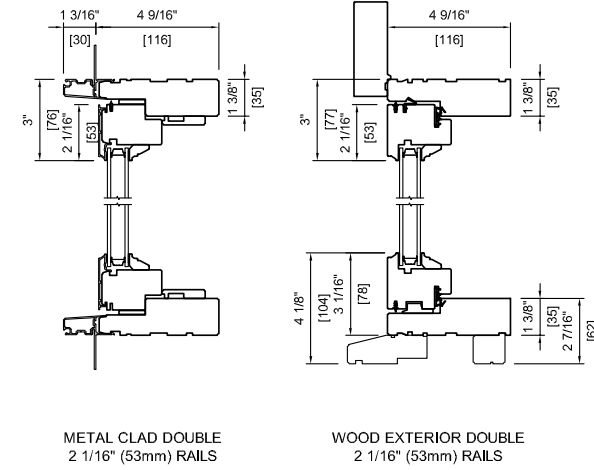


## Plan View

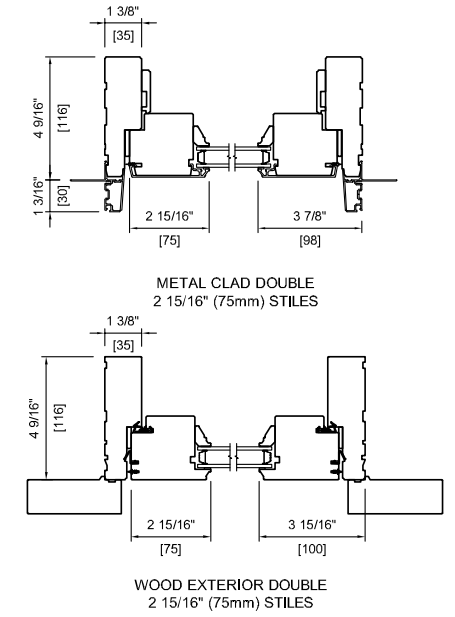


# Outswing 2 1/4" Narrow Stile Terrace Door Transom Detail

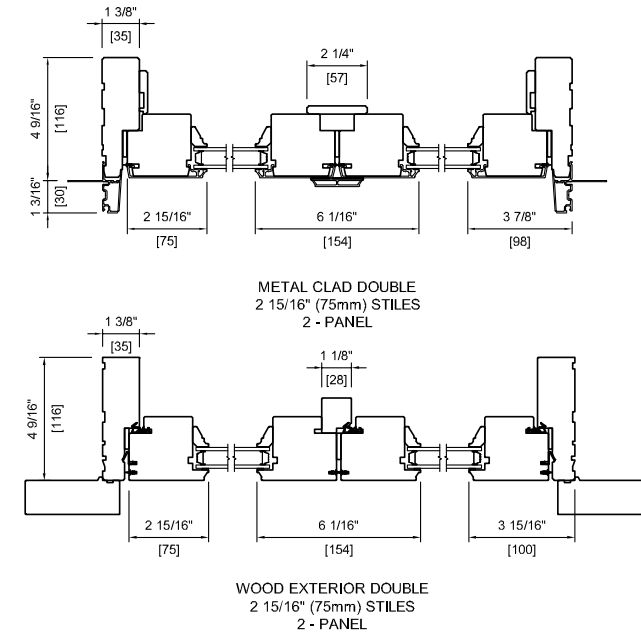
## Head & Sill



## Plan View

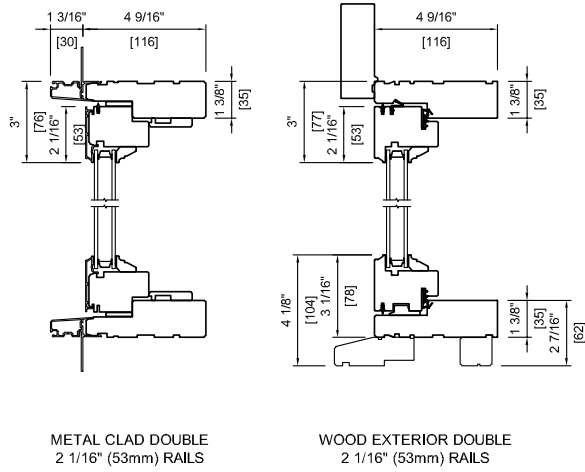


## Plan View

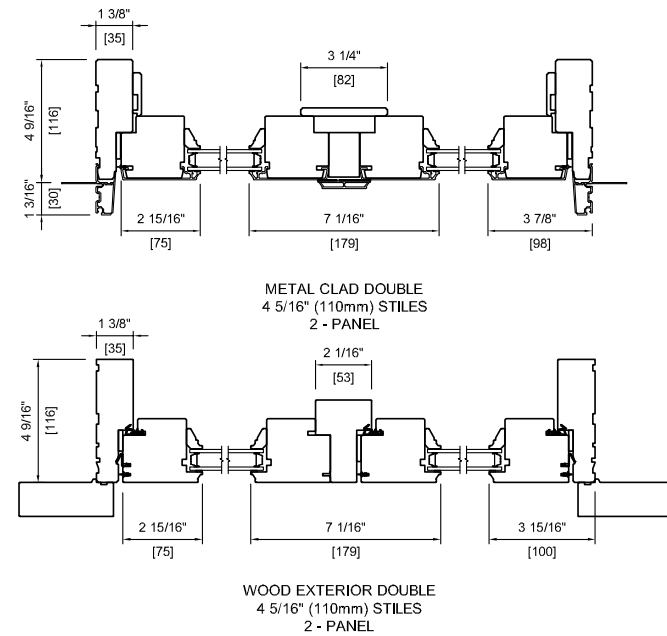


## Outswing 2 1/4" Narrow Stile French Terrace Door Transom Detail

### Head & Sill



### Plan View



## Narrow Stile French Terrace Door 2 Wide Sizes

					Width			
Rough Opening Inswing with Jamb Extension <sup>1</sup>					61 9/16 [1564]	68 1/8 [1730]	73 3/8 [1864]	81 1/4 [2064]
Rough Opening <sup>2</sup>					60 15/16 [1548]	67 1/2 [1714]	72 3/4 [1848]	80 5/8 [2048]
Frame					60 3/16 [1529]	66 3/4 [1695]	72 [1829]	79 7/8 [2029]
Panel					28 9/16 [726]	31 7/8 [809]	34 1/2 [876]	38 7/16 [976]
Visible Glass					22 11/16 [576]	25 15/16 [659]	28 9/16 [726]	32 1/2 [826]
					TRANSOM			
16 5/8 [422]	16 5/16 [415]	15 3/4 [400]	13 7/8 [352]	9 11/16 [246]	*FDT2 1504	*FDT2 1604	*FDT2 1804	*FDT2 2004
24 1/2 [622]	24 3/16 [615]	23 5/8 [600]	21 3/4 [552]	17 9/16 [446]	*FDT2 1506	*FDT2 1606	*FDT2 1806	*FDT2 2006
					DOORS			
80 3/8 [2042]	80 1/8 [2035]	79 1/2 [2020]	76 7/16 [1942]	68 13/16 [1748]	FD2 1520	FD2 1620	FD2 1820	FD2 2020
82 3/16 [2087]	81 7/8 [2080]	81 5/16 [2065]	78 1/4 [1987]	70 9/16 [1793]	FD2 1521	FD2 1621	FD2 1821	FD2 2021
86 7/8 [2206]	86 9/16 [2199]	86 [2184]	82 15/16 [2106]	75 1/4 [1912]	FD2 1570	FD2 1670	FD2 1870	FD2 2070
95 3/8 [2422]	95 1/16 [2415]	94 1/2 [2400]	91 7/16 [2322]	83 3/4 [2128]	FD2 1524	FD2 1624	FD2 1824	FD2 2024
98 1/4 [2496]	98 [2489]	97 3/8 [2474]	94 5/16 [2396]	86 11/16 [2202]	FD2 1580	FD2 1680	FD2 1880	
99 15/16 [2538]	99 5/8 [2531]	99 1/16 [2516]	96 [2438]	88 3/8 [2244]	FD2 1525	FD2 1625	FD2 1825	
107 3/16 [2722]	106 7/8 [2715]	106 5/16 [2700]	103 1/4 [2622]	95 9/16 [2428]	FD2 1527	FD2 1627	FD2 1827	

Height

Product Code

Glass Size = Visible Glass + 15/16" (24 mm)

Standard sizes shown. Additional sizes may be available. Custom sizes can be ordered.

- Note:
- SDL/Grille patterns are dependent on SDL/Grille type and window size. Please verify SDL/Grille patterns before confirming your order.
  - Half round doors are available in wood exterior.
  - \* Transom units.
  - 1 Inswing doors with jamb extensions (other than 4 9/16" (116 mm) & 6 9/16" (166 mm) full jamb).
  - 2 Outswing doors (all) and inswing doors without jamb extensions (4 9/16" (116 mm) & 6 9/16" (166 mm) full jamb).

## Narrow Stile French Terrace Door 3 Wide Sizes

					Width					
<b>Rough Opening Inswing with Jamb Extension<sup>1</sup></b> <div style="border: 1px solid black; padding: 5px; margin: 5px;"> <b>Rough Opening<sup>2</sup></b>  <div style="border: 1px solid black; padding: 5px; margin: 5px;"> <b>Frame</b>  <div style="border: 1px solid black; padding: 5px; margin: 5px;"> <b>Panel</b>  <div style="border: 1px solid black; padding: 5px; margin: 5px;"> <b>Visible Glass</b> </div> </div> </div> </div>					90 3/16 [2290]	100 [2539]	107 7/8 [2740]			
					89 1/2 [2274]	99 5/16 [2523]	107 1/4 [2724]			
					88 3/4 [2255]	98 9/16 [2504]	106 1/2 [2705]			
					28 9/16 [726]	31 7/8 [809]	34 1/2 [876]			
			22 11/16 [576]	25 15/16 [659]	28 9/16 [726]					
					TRANSOM					
16 5/8 [422]	16 5/16 [415]	15 3/4 [400]	13 7/8 [352]	9 11/16 [246]	*FDT3 2204	*FDT3 2404	*FDT3 2704			
24 1/2 [622]	24 3/16 [615]	23 5/8 [600]	21 3/4 [552]	17 9/16 [446]	*FDT3 2206	*FDT3 2406	*FDT3 2706			
					DOORS					
80 3/8 [2042]	80 1/8 [2035]	79 1/2 [2020]	76 7/16 [1942]	68 13/16 [1748]	FD3 2220	FD3 2420	FD3 2720			
82 3/16 [2087]	81 7/8 [2080]	81 5/16 [2065]	78 1/4 [1987]	70 9/16 [1793]	FD3 2221	FD3 2421	FD3 2721			
86 7/8 [2206]	86 9/16 [2199]	86 [2184]	82 15/16 [2106]	75 1/4 [1912]	FD3 2270	FD3 2470	FD3 2770			
95 3/8 [2422]	95 1/16 [2415]	94 1/2 [2400]	91 7/16 [2322]	83 3/4 [2128]	FD3 2224	FD3 2424	FD3 2724			
98 1/4 [2496]	98 [2489]	97 3/8 [2474]	94 5/16 [2396]	86 11/16 [2202]	FD3 2280	FD3 2480	FD3 2780			
99 15/16 [2538]	99 5/8 [2531]	99 1/16 [2516]	96 [2438]	88 3/8 [2244]	FD3 2225	FD3 2425	FD3 2725			
107 3/16 [2722]	106 7/8 [2715]	106 5/16 [2700]	103 1/4 [2622]	95 9/16 [2428]	FD3 2227	FD3 2427	FD3 2727			
					Product Code					

Glass Size = Visible Glass + 15/16" (24 mm)

Standard sizes Shown. Additional sizes may be available. Custom sizes can be ordered.

- Note:**
- SDL/Grille patterns are dependent on SDL/Grille type and window size. Please verify SDL/Grille patterns before confirming your order.
  - Half round doors are available in wood exterior.
    - \* Transom units.
    - 1 Inswing doors with jamb extensions (other than 4 9/16" (116 mm) & 6 9/16" (166 mm) full jamb).
    - 2 Outswing doors (all) and inswing doors without jamb extensions (4 9/16" (116 mm) & 6 9/16" (166 mm) full jamb).

## Narrow Stile French Terrace Door 4 Wide Sizes

					Width							
<b>Rough Opening Inswing with Jamb Extension<sup>1</sup></b> <div style="border: 1px solid black; padding: 5px; margin: 5px;"> <b>Rough Opening<sup>2</sup></b>  <div style="border: 1px solid black; padding: 5px; margin: 5px;"> <b>Frame</b>  <div style="border: 1px solid black; padding: 5px; margin: 5px;"> <b>Panel</b>  <div style="border: 1px solid black; padding: 5px; margin: 5px;"> <b>Visible Glass</b> </div> </div> </div> </div>					118 3/4 [3016]	131 13/16 [3348]	142 3/8 [3616]	158 1/8 [4016]				
					118 1/8 [3000]	131 3/16 [3332]	141 3/4 [3600]	157 1/2 [4000]				
					117 3/8 [2981]	130 7/16 [3313]	141 [3581]	156 3/4 [3981]				
					28 9/16 [726]	31 7/8 [809]	34 1/2 [876]	38 7/16 [976]				
				22 11/16 [576]	25 15/16 [659]	28 9/16 [726]	32 1/2 [826]					
					TRANSOM							
16 5/8 [422]	16 5/16 [415]	15 3/4 [400]	13 7/8 [352]	9 11/16 [246]	*FDT4 3004	*FDT4 3304	*FDT4 3604	*FDT4 4004				
24 1/2 [622]	24 3/16 [615]	23 5/8 [600]	21 3/4 [552]	17 9/16 [446]	*FDT4 3006	*FDT4 3306	*FDT4 3606	*FDT4 4006				
					DOORS							
80 3/8 [2042]	80 1/8 [2035]	79 1/2 [2020]	76 7/16 [1942]	68 13/16 [1748]	FD4 3020	FD4 3320	FD4 3620	FD4 4020				
82 3/16 [2087]	81 7/8 [2080]	81 5/16 [2065]	78 1/4 [1987]	70 9/16 [1793]	FD4 3021	FD4 3321	FD4 3621	FD4 4021				
86 7/8 [2206]	86 9/16 [2199]	86 [2184]	82 15/16 [2106]	75 1/4 [1912]	FD4 3070	FD4 3370	FD4 3670	FD4 4070				
95 3/8 [2422]	95 1/16 [2415]	94 1/2 [2400]	91 7/16 [2322]	83 3/4 [2128]	FD4 3024	FD4 3324	FD4 3624	FD4 4024				
98 1/4 [2496]	98 [2489]	97 3/8 [2474]	94 5/16 [2396]	86 11/16 [2202]	FD4 3080	FD4 3380	FD4 3680					
99 15/16 [2538]	99 5/8 [2531]	99 1/16 [2516]	96 [2438]	88 3/8 [2244]	FD4 3025	FD4 3325	FD4 3625					
107 3/16 [2722]	106 7/8 [2715]	106 5/16 [2700]	103 1/4 [2622]	95 9/16 [2428]	FD4 30027	FD4 3327	FD4 3627					
					Product Code							

Glass Size = Visible Glass + 15/16" (24 mm)

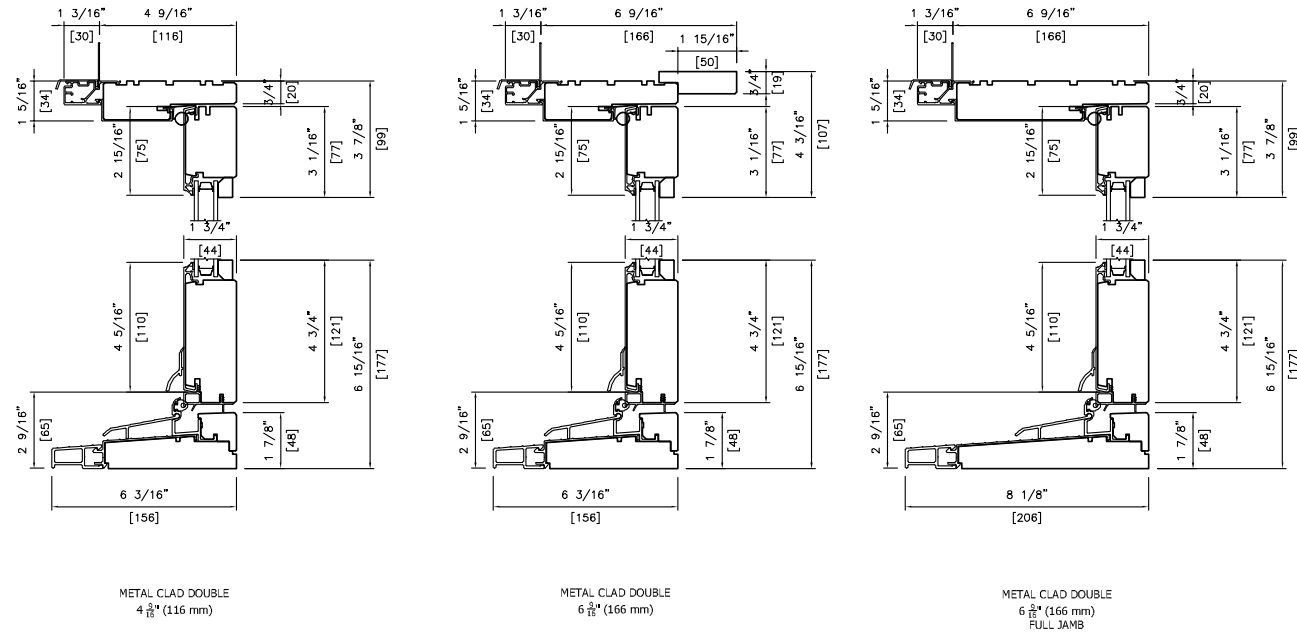
Standard sizes Shown. Additional sizes may be available. Custom sizes can be ordered.

- Note:**
- SDL/Grille patterns are dependent on SDL/Grille type and window size. Please verify SDL/Grille patterns before confirming your order.
  - Half round doors are available in wood exterior.
    - \* Transom units.
    - 1 Inswing doors with jamb extensions (other than 4 9/16" (116 mm) & 6 9/16" (166 mm) full jamb).
    - 2 Outswing doors (all) and inswing doors without jamb extensions (4 9/16" (116 mm) & 6 9/16" (166 mm) full jamb).

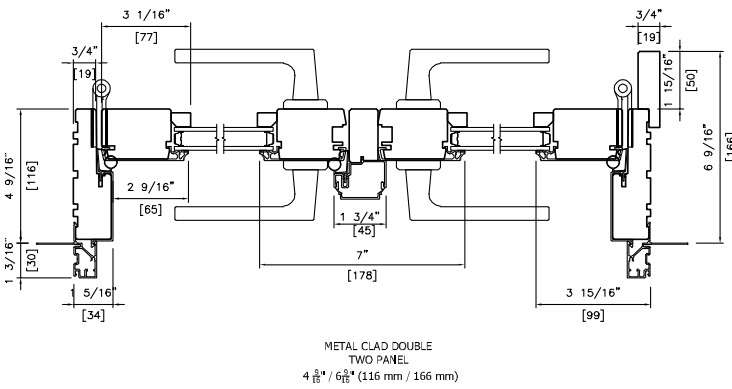


# Inswing 3" Narrow Stile French Terrace Door Detail

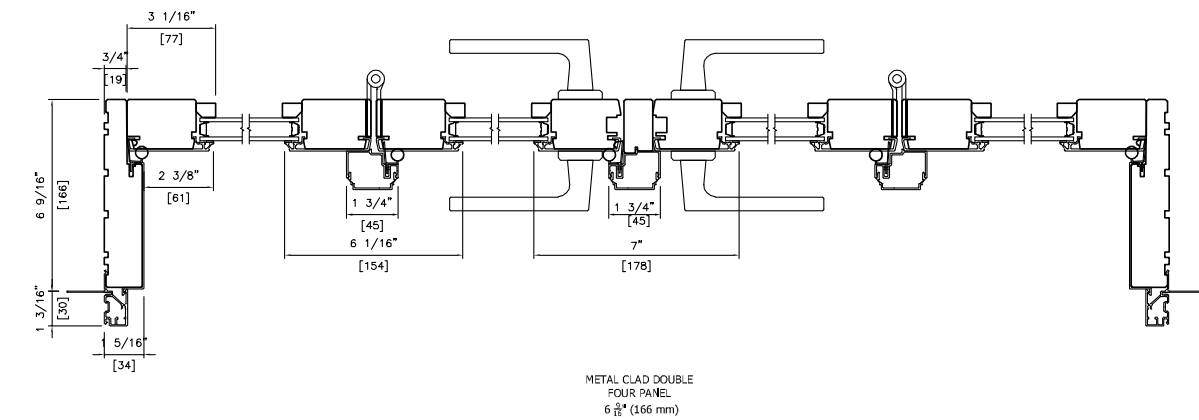
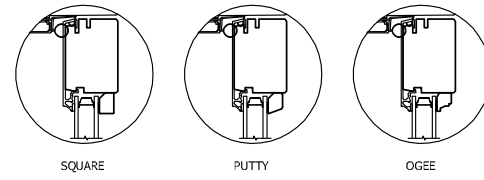
## Head & Sill Detail



## Plan View



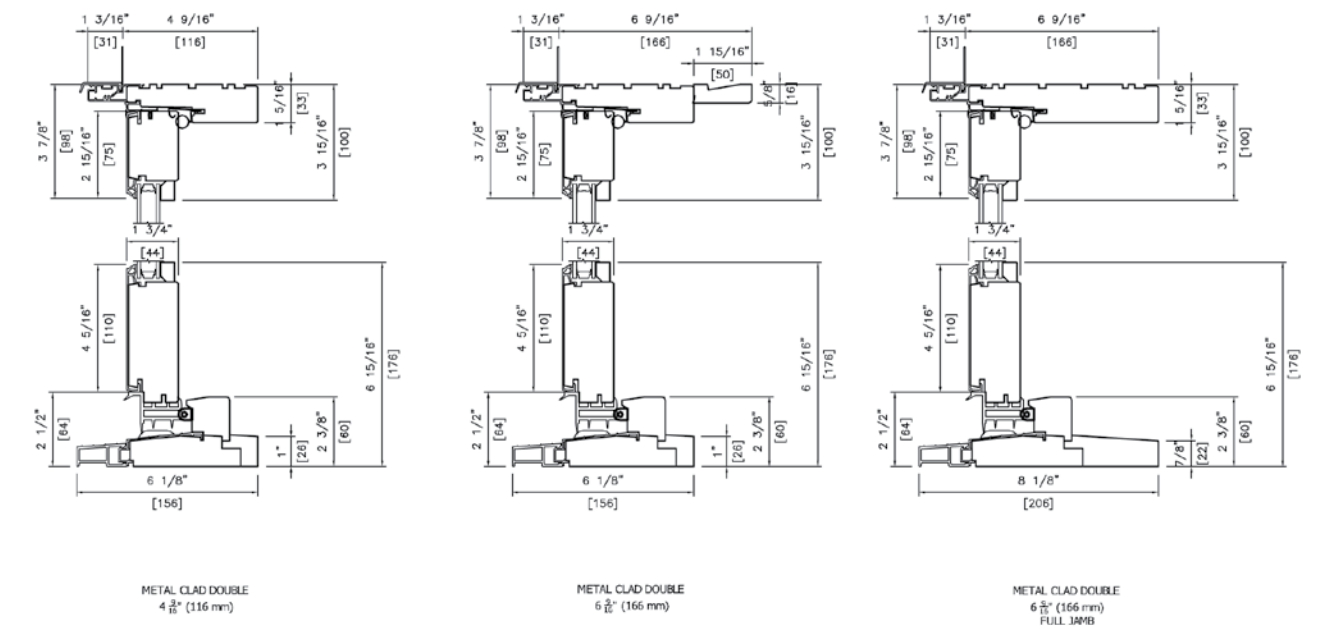
## Glazing Stop Profiles



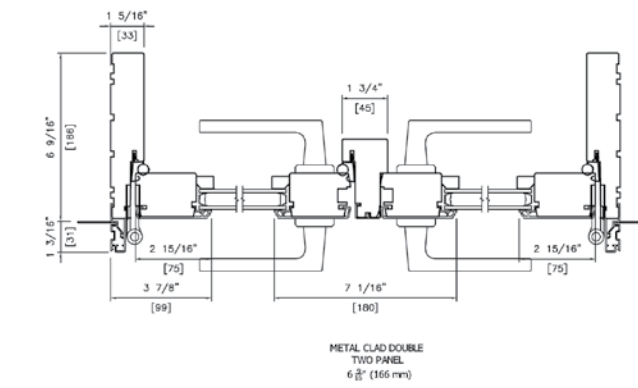
Note: • Other jamb widths available.  
• All dimensions to have +/- 1/16" (2mm) tolerance.

# Outswing 3" Narrow Stile French Terrace Door Detail

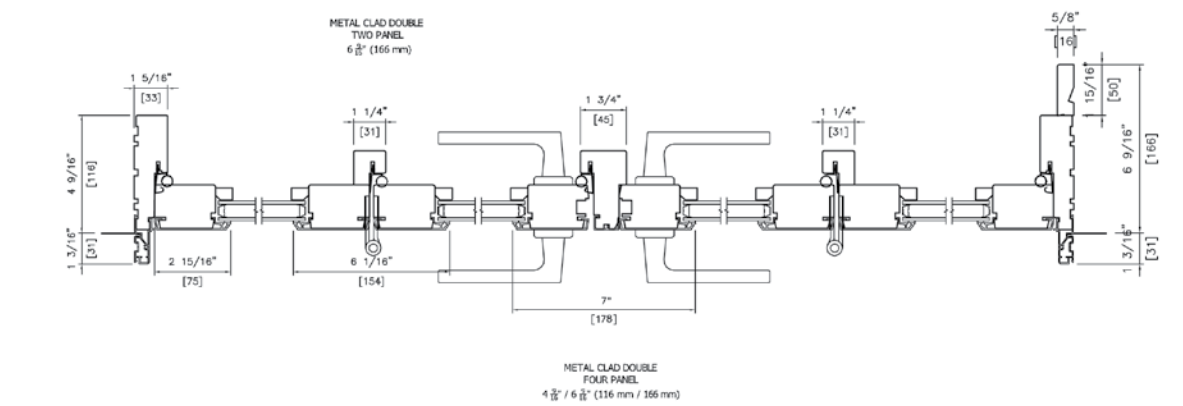
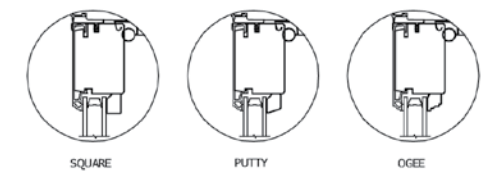
## Head & Sill Detail



## Plan View



## Glazing Stop Profiles



Note: • Other jamb widths available.  
• All dimensions to have +/- 1/16" (2mm) tolerance.

## Terrace Door & Transom 1 Wide Door Sizes

Width																
Rough Opening Inswing with Jamb Extension <sup>1</sup>					19 1/8 [485]	25 [635]	31 7/8 [809]	35 1/8 [892]	37 3/4 [959]	41 11/16 [1059]	45 1/4 [1150]					
					Rough Opening <sup>2</sup>					18 7/16 [469]	24 3/8 [619]	31 1/4 [793]	34 1/2 [876]	37 1/8 [943]	41 1/16 [1043]	44 5/8 [1134]
					Frame					17 11/16 [450]	23 5/8 [600]	30 1/2 [774]	33 3/4 [857]	36 3/8 [924]	40 5/16 [1024]	43 7/8 [1115]
					Panel					15 13/16 [402]	21 3/4 [552]	28 9/16 [726]	31 7/8 [809]	34 1/2 [876]	38 7/16 [976]	42 [1067]
					Visible Glass					7 3/16 [182]	13 1/16 [332]	19 15/16 [506]	23 3/16 [589]	25 13/16 [656]	29 3/4 [756]	33 3/8 [847]
TRANSOM																
16 5/8 [422]	16 5/16 [415]	15 3/4 [400]	13 7/8 [352]	9 11/16 [246]	* TDT1 0404	* TDT1 0604	* TDT1 0704	* TDT1 0804	* TDT1 0904	* TDT1 1004	* TDT1 1104					
24 1/2 [622]	24 3/16 [615]	23 5/8 [600]	21 3/4 [552]	17 9/16 [446]	* TDT1 0406	* TDT1 0606	* TDT1 0706	* TDT1 0806	* TDT1 0906	* TDT1 1006	* TDT1 1106					
					VENTING SIDELITES			DOORS								
80 3/8 [2042]	80 1/8 [2035]	79 1/2 [2020]	76 7/16 [1942]	63 7/8 [1623]	^ VTD1 0420	^ VTD1 0620	TD1 0720	TD1 0820	TD1 0920	TD1 1020	TD1 1120					
82 3/16 [2087]	81 7/8 [2080]	81 5/16 [2065]	78 1/4 [1987]	65 11/16 [1668]	^ VTD1 0421	^ VTD1 0621	TD1 0721	TD1 0821	TD1 0921	TD1 1021	TD1 1121					
86 7/8 [2206]	86 9/16 [2199]	86 [2184]	82 15/16 [2106]	70 3/8 [1787]	^ VTD1 0470	^ VTD1 0670	TD1 0770	TD1 0870	TD1 0970	TD1 1070	TD1 1170					
95 3/8 [2422]	95 1/16 [2415]	94 1/2 [2400]	91 7/16 [2322]	78 7/8 [2003]	^ VTD1 0424	^ VTD1 0624	TD1 0724	TD1 0824	TD1 0924	TD1 1024	TD1 1124					
98 1/4 [2496]	98 [2489]	97 3/8 [2474]	94 5/16 [2396]	81 3/4 [2077]	^ VTD1 0480	^ VTD1 0680	TD1 0780	TD1 0880	TD1 0980	TD1 1080	TD1 1180					
99 15/16 [2538]	99 5/8 [2531]	99 1/16 [2516]	96 [2438]	83 7/16 [2119]	^ VTD1 0425	^ VTD1 0625	TD1 0725	TD1 0825	TD1 0925	TD1 1025	TD1 1125					
107 3/16 [2722]	106 7/8 [2715]	106 5/16 [2700]	103 1/4 [2622]	90 11/16 [2303]	^ VTD1 0427	^ VTD1 0627	TD1 0727	TD1 0827	TD1 0927	TD1 1027	TD1 1127					
Product Code																

Glass Size = Visible Glass + 15/16" (24 mm)

Standard sizes Shown. Additional sizes may be available. Custom sizes can be ordered.

- Note:
- SDL/Grille patterns are dependent on SDL/Grille type and window size. Please verify SDL/Grille patterns before confirming your order.
  - Half round doors are available in wood exterior.
    - Transom units.
    - Venting or Fixed.
  - 1 Inswing doors with jamb extensions (other than 4 9/16" (116 mm) & 6 9/16" (166 mm) full jamb).
  - 2 Outswing doors (all) and inswing doors without jamb extensions (4 9/16" (116 mm) & 6 9/16" (166 mm) full jamb).

## Terrace Door & Transom 2 Wide Door Sizes

Width															
Rough Opening Inswing with Jamb Extension <sup>1</sup>					46 3/4" [1187]	60 7/16" [1535]	66 15/16" [1701]	72 1/4" [1835]	80 1/8" [2035]	87 5/16" [2217]					
					Rough Opening <sup>2</sup>					46 1/8" [1171]	59 13/16" [1519]	66 5/16" [1685]	71 5/8" [1819]	79 1/2" [2019]	86 5/8" [2201]
					Frame					45 3/8" [1152]	59 1/16" [1500]	65 9/16" [1666]	70 7/8" [1800]	78 3/4" [2000]	85 7/8" [2182]
					Panel					21 3/4" [552]	28 9/16" [726]	31 7/8" [809]	34 1/2" [876]	38 7/16" [976]	42" [1067]
					Visible Glass					13 1/16" [332]	19 15/16" [506]	23 3/16" [589]	25 13/16" [656]	29 3/4" [756]	33 3/8" [847]
TRANSOM															
16 5/8 [422]	16 5/16 [415]	15 3/4 [400]	13 7/8 [352]	9 11/16 [246]	* TDT2 1204	* TDT2 1504	* TDT2 1604	* TDT2 1804	* TDT2 2004	* TDT2 2204					
24 1/2 [622]	24 3/16 [615]	23 5/8 [600]	21 3/4 [552]	17 9/16 [446]	* TDT2 1206	* TDT2 1506	* TDT2 1606	* TDT2 1806	* TDT2 2006	* TDT2 2206					
					DOORS										
80 3/8 [2042]	80 1/8 [2035]	79 1/2 [2020]	76 7/16 [1942]	63 7/8 [1623]	TD2 1220	TD2 1520	TD2 1620	TD2 1820	TD2 2020	TD2 2220					
82 3/16 [2087]	81 7/8 [2080]	81 5/16 [2065]	78 1/4 [1987]	65 11/16 [1668]	TD2 1221	TD2 1521	TD2 1621	TD2 1821	TD2 2021	TD2 2221					
86 7/8 [2206]	86 9/16 [2199]	86 [2184]	82 15/16 [2106]	70 3/8 [1787]	TD2 1270	TD2 1570	TD2 1670	TD2 1870	TD2 2070	TD2 2270					
95 3/8 [2422]	95 1/16 [2415]	94 1/2 [2400]	91 7/16 [2322]	78 7/8 [2003]	TD2 1224	TD2 1524	TD2 1624	TD2 1824	TD2 2024	TD2 2224					
98 1/4 [2496]	98 [2489]	97 3/8 [2474]	94 5/16 [2396]	81 3/4 [2077]	TD2 1280	TD2 1580	TD2 1680	TD2 1880	TD2 2080	TD2 2280					
99 15/16 [2538]	99 5/8 [2531]	99 1/16 [2516]	96 [2438]	83 7/16 [2119]	TD2 1225	TD2 1525	TD2 1625	TD2 1825	TD2 2025	TD2 2225					
107 3/16 [2722]	106 7/8 [2715]	106 5/16 [2700]	103 1/4 [2622]	90 11/16 [2303]	TD2 1227	TD2 1527	TD2 1627	TD2 1827	TD2 2027	TD2 2227					
Product Code															

Glass Size = Visible Glass + 15/16" (24 mm)

Standard sizes Shown. Additional sizes may be available. Custom sizes can be ordered.

- Note:
- SDL/Grille patterns are dependent on SDL/Grille type and window size. Please verify SDL/Grille patterns before confirming your order.
  - Half round doors are available in wood exterior.
    - Transom units.
    - Venting or Fixed.
  - 1 Inswing doors with jamb extensions (other than 4 9/16" (116 mm) & 6 9/16" (166 mm) full jamb).
  - 2 Outswing doors (all) and inswing doors without jamb extensions (4 9/16" (116 mm) & 6 9/16" (166 mm) full jamb).

## Terrace Door & Transom 3 Wide Door Sizes

					Width									
<b>Rough Opening Inswing with Jamb Extension<sup>1</sup></b>					89"	98 13/16"	106 3/4"	118 9/16"	129 5/8"					
					[2261]	[2510]	[2711]	[3011]	[3293]					
					<b>Rough Opening<sup>2</sup></b>					88 3/8"	98 3/16"	106 1/16"	117 7/8"	129"
										[2245]	[2494]	[2695]	[2995]	[3277]
					<b>Frame</b>					87 5/8"	97 7/16"	105 5/16"	117 1/8"	128 1/4"
					[2226]	[2475]	[2676]	[2976]	[3258]					
<b>Panel</b>					28 9/16"	31 7/8"	34 1/2"	38 7/16"	42"					
					[726]	[809]	[876]	[976]	[1067]					
<b>Visible Glass</b>					19 15/16"	23 3/16"	25 13/16"	29 3/4"	33 3/8"					
					[506]	[589]	[656]	[756]	[847]					
					TRANSOM									
16 5/8	16 5/16	15 3/4	13 7/8	9 11/16	* TDT3	* TDT3	* TDT3	* TDT3	* TDT3					
[422]	[415]	[400]	[352]	[246]	2204	2404	2704	3004	3204					
24 1/2	24 3/16	23 5/8	21 3/4	17 9/16	* TDT3	* TDT3	* TDT3	* TDT3	* TDT3					
[622]	[615]	[600]	[552]	[446]	2206	2406	2706	3006	3206					
					DOORS									
80 3/8	80 1/8	79 1/2	76 7/16	63 7/8	TD3	TD3	TD3	TD3	TD3					
[2042]	[2035]	[2020]	[1942]	[1623]	2220	2420	2720	3020	3220					
82 3/16	81 7/8	81 5/16	78 1/4	65 11/16	TD3	TD3	TD3	TD3	TD3					
[2087]	[2080]	[2065]	[1987]	[1668]	2221	2421	2721	3021	3221					
86 7/8	86 9/16	86	82 15/16	70 3/8	TD3	TD3	TD3	TD3	TD3					
[2206]	[2199]	[2184]	[2106]	[1787]	2270	2470	2770	3070	3270					
95 3/8	95 1/16	94 1/2	91 7/16	78 7/8	TD3	TD3	TD3	TD3	TD3					
[2422]	[2415]	[2400]	[2322]	[2003]	2224	2424	2724	3024	3224					
98 1/4	98	97 3/8	94 5/16	81 3/4	TD3	TD3	TD3	TD3	TD3					
[2496]	[2489]	[2474]	[2396]	[2077]	2280	2480	2780	3080	3280					
99 15/16	99 5/8	99 1/16	96	83 7/16	TD3	TD3	TD3	TD3	TD3					
[2538]	[2531]	[2516]	[2438]	[2119]	2225	2425	2725	3025	3225					
107 3/16	106 7/8	106 5/16	103 1/4	90 11/16	TD3	TD3	TD3	TD3	TD3					
[2722]	[2715]	[2700]	[2622]	[2303]	2227	2427	2727	3027	3227					
					Product Code									

Glass Size = Visible Glass + 15/16" (24 mm)

Standard sizes Shown. Additional sizes may be available. Custom sizes can be ordered.

- Note:**
- SDL/Grille patterns are dependent on SDL/Grille type and window size. Please verify SDL/Grille patterns before confirming your order.
  - Half round doors are available in wood exterior.
    - Transom units.
    - Venting or Fixed.
  - 1 Inswing doors with jamb extensions (other than 4 9/16" (116 mm) & 6 9/16" (166 mm) full jamb).
  - 2 Outswing doors (all) and inswing doors without jamb extensions (4 9/16" (116 mm) & 6 9/16" (166 mm) full jamb).

## Terrace Door & Transom 4 Wide Door Sizes

					Width									
<b>Rough Opening Inswing with Jamb Extension<sup>1</sup></b>					117 5/8"	130 11/16"	141 1/4"	157"	171 5/16"					
					[2988]	[3320]	[3588]	[3988]	[4352]					
					<b>Rough Opening<sup>2</sup></b>					117"	130 1/16"	140 5/8"	156 3/8"	170 11/16"
										[2972]	[3304]	[3572]	[3972]	[4336]
					<b>Frame</b>					116 1/4"	129 5/16"	139 7/8"	155 5/8"	169 15/16"
					[2953]	[3285]	[3553]	[3953]	[4317]					
<b>Panel</b>					28 9/16"	31 7/8"	34 1/2"	38 7/16"	42"					
					[726]	[809]	[876]	[976]	[1067]					
<b>Visible Glass</b>					19 15/16"	23 3/16"	25 13/16"	29 3/4"	33 3/8"					
					[506]	[589]	[656]	[756]	[847]					
					TRANSOM									
16 5/8	16 5/16	15 3/4	13 7/8	9 11/16	* TDT4	* TDT4	* TDT4	* TDT4	* TDT4					
[422]	[415]	[400]	[352]	[246]	3004	3204	3604	4004	4304					
24 1/2	24 3/16	23 5/8	21 3/4	17 9/16	* TDT4	* TDT4	* TDT4	* TDT4	* TDT4					
[622]	[615]	[600]	[552]	[446]	3006	3206	3606	4006	4306					
					DOORS									
80 3/8	80 1/8	79 1/2	76 7/16	63 7/8	TD4	TD4	TD4	TD4	TD4					
[2042]	[2035]	[2020]	[1942]	[1623]	3020	3220	3620	4020	4320					
82 3/16	81 7/8	81 5/16	78 1/4	65 11/16	TD4	TD4	TD4	TD4	TD4					
[2087]	[2080]	[2065]	[1987]	[1668]	3021	3221	3621	4021	4321					
86 7/8	86 9/16	86	82 15/16	70 3/8	TD4	TD4	TD4	TD4	TD4					
[2206]	[2199]	[2184]	[2106]	[1787]	3070	3270	3670	4070	4370					
95 3/8	95 1/16	94 1/2	91 7/16	78 7/8	TD4	TD4	TD4	TD4	TD4					
[2422]	[2415]	[2400]	[2322]	[2003]	3024	3224	3624	4024	4324					
98 1/4	98	97 3/8	94 5/16	81 3/4	TD4	TD4	TD4	TD4	TD4					
[2496]	[2489]	[2474]	[2396]	[2077]	3080	3280	3680	4080	4380					
99 15/16	99 5/8	99 1/16	96	83 7/16	TD4	TD4	TD4	TD4	TD4					
[2538]	[2531]	[2516]	[2438]	[2119]	3025	3225	3625	4025	4325					
107 3/16	106 7/8	106 5/16	103 1/4	90 11/16	TD4	TD4	TD4	TD4	TD4					
[2722]	[2715]	[2700]	[2622]	[2303]	3027	3227	3627	4027	4327					
					Product Code									

Glass Size = Visible Glass + 15/16" (24 mm)

Standard sizes Shown. Additional sizes may be available. Custom sizes can be ordered.

- Note:**
- SDL/Grille patterns are dependent on SDL/Grille type and window size. Please verify SDL/Grille patterns before confirming your order.
  - Half round doors are available in wood exterior.
    - Transom units.
    - Venting or Fixed.
  - 1 Inswing doors with jamb extensions (other than 4 9/16" (116 mm) & 6 9/16" (166 mm) full jamb).
  - 2 Outswing doors (all) and inswing doors without jamb extensions (4 9/16" (116 mm) & 6 9/16" (166 mm) full jamb).

## Cambertop Terrace Door 1 Wide Door Sizes

		Width										
Rough Opening Inswing with Jamb Extension <sup>1</sup>		31 7/8 [809]	35 1/8 <sup>2</sup> [892]	37 3/4 [959]	41 11/16 [1059]	45 1/4 [1150]						
		Rough Opening <sup>2</sup>			Frame		Panel		Visible Glass			
		31 1/4 [793]	34 1/2 [876]	37 1/8 [943]	41 1/16 [1043]	44 5/8 [1134]	30 1/2 [774]	33 3/4 [857]	36 3/8 [924]	40 5/16 [1024]	43 7/8 [1115]	
		Frame		Panel		Visible Glass						
		30 1/2 [774]	33 3/4 [857]	36 3/8 [924]	40 5/16 [1024]	43 7/8 [1115]	28 9/16 [726]	31 7/8 [809]	34 1/2 [876]	38 7/16 [976]	42 [1067]	
		Panel		Visible Glass								
		28 9/16 [726]	31 7/8 [809]	34 1/2 [876]	38 7/16 [976]	42 [1067]	19 15/16 [506]	23 3/16 [589]	25 13/16 [656]	29 3/4 [756]	33 3/8 [847]	
		Visible Glass										
		19 15/16 [506]	23 3/16 [589]	25 13/16 [656]	29 3/4 [756]	33 3/8 [847]						
Height	80 3/8 [2042]	80 1/8 [2035]	79 1/2 [2020]	76 7/16 [1942]	63 15/16 [1624]	CTTD1 0720	CTTD1 0820	CTTD1 0920	CTTD1 1020	CTTD1 1120		
	82 3/16 [2087]	81 7/8 [2080]	81 5/16 [2065]	78 1/4 [1987]	65 11/16 [1668]	CTTD1 0721	CTTD1 0821	CTTD1 0921	CTTD1 1021	CTTD1 1121		
	86 7/8 [2206]	86 9/16 [2199]	86 [2184]	82 15/16 [2106]	70 3/8 [1787]	CTTD1 0770	CTTD1 0870	CTTD1 0970	CTTD1 1070	CTTD1 1170		
	95 3/8 [2422]	95 1/16 [2415]	94 1/2 [2400]	91 7/16 [2322]	78 7/8 [2003]	CTTD1 0724	CTTD1 0824	CTTD1 0924	CTTD1 1024	CTTD1 1124		
	98 1/4 [2496]	98 [2489]	97 3/8 [2474]	94 5/16 [2396]	81 3/4 [2077]	CTTD1 0780	CTTD1 0880	CTTD1 0980	CTTD1 1080	CTTD1 1180		
	99 15/16 [2538]	99 5/8 [2531]	99 1/16 [2516]	96 [2438]	83 7/16 [2119]	CTTD1 0725	CTTD1 0825	CTTD1 0925				
	107 3/16 [2722]	106 7/8 [2715]	106 5/16 [2700]	103 1/4 [2622]	90 11/16 [2303]	CTTD1 0727	CTTD1 0827	CTTD1 0927				
Product Code												

Glass Size = Visible Glass + 15/16" (24 mm)

## Cambertop Terrace Door 2 Wide Door Sizes

		Width												
Rough Opening Inswing with Jamb Extension <sup>1</sup>		46 3/4 [1187]	60 7/16 [1535]	66 15/16 [1701]	72 1/4 [1835]	80 1/8 [2035]	87 5/16 [2217]							
		Rough Opening <sup>2</sup>			Frame		Panel		Visible Glass					
		46 1/8 [1171]	59 13/16 [1519]	66 5/16 [1685]	70 5/8 [1819]	79 1/2 [2019]	86 5/8 [2201]	45 3/8 [1152]	59 1/16 [1500]	65 9/16 [1666]	70 7/8 [1800]	78 3/4 [2000]	85 7/8 [2182]	
		Frame		Panel		Visible Glass								
		45 3/8 [1152]	59 1/16 [1500]	65 9/16 [1666]	70 7/8 [1800]	78 3/4 [2000]	85 7/8 [2182]	21 3/4 [552]	28 9/16 [726]	31 7/8 [809]	34 1/2 [876]	38 7/16 [976]	42 [1067]	
		Panel		Visible Glass										
		21 3/4 [552]	28 9/16 [726]	31 7/8 [809]	34 1/2 [876]	38 7/16 [976]	42 [1067]	13 1/16 [332]	19 15/16 [506]	23 3/16 [589]	25 13/16 [656]	29 3/4 [756]	33 3/8 [847]	
		Visible Glass												
		13 1/16 [332]	19 15/16 [506]	23 3/16 [589]	25 13/16 [656]	29 3/4 [756]	33 3/8 [847]							
Height	80 3/8 [2042]	80 1/8 [2035]	79 1/2 [2020]	76 7/16 [1942]	63 3/4 [1619]	CTTD2 1220	CTTD2 1520	CTTD2 1620	CTTD2 1820	CTTD2 2020	CTTD2 2220			
	82 3/16 [2087]	81 7/8 [2080]	81 5/16 [2065]	78 1/4 [1987]	65 1/2 [1664]	CTTD2 1221	CTTD2 1521	CTTD2 1621	CTTD2 1821	CTTD2 2021	CTTD2 2221			
	86 7/8 [2206]	86 9/16 [2199]	86 [2184]	82 15/16 [2106]	70 3/16 [1783]	CTTD2 1270	CTTD2 1570	CTTD2 1670	CTTD2 1870	CTTD2 2070	CTTD2 2270			
	95 3/8 [2422]	95 1/16 [2415]	94 1/2 [2400]	91 7/16 [2322]	78 3/4 [1999]	CTTD2 1224	CTTD2 1524	CTTD2 1624	CTTD2 1824	CTTD2 2024	CTTD2 2224			
	98 1/4 [2496]	98 [2489]	97 3/8 [2474]	94 5/16 [2396]	81 3/4 [2077]	CTTD2 1280	CTTD2 1580	CTTD2 1680	CTTD2 1880	CTTD2 2080	CTTD2 2280			
	99 15/16 [2538]	99 5/8 [2531]	99 1/16 [2516]	96 [2438]	83 5/16 [2115]	CTTD2 1225	CTTD2 1525	CTTD2 1625	CTTD2 1825					
	107 3/16 [2722]	106 7/8 [2715]	106 5/16 [2700]	103 1/4 [2622]	90 1/2 [2299]	CTTD2 1227	CTTD2 1527	CTTD2 1627	CTTD2 1827					
Product Code														

Glass Size = Visible Glass + 15/16" (24 mm)

### Standard sizes Shown. Additional sizes may be available. Custom sizes can be ordered.

- Note:
- SDL/Grille patterns are dependent on SDL/Grille type and window size. Please verify SDL/Grille patterns before confirming your order.
  - 59 1/16" (1500 mm) radius.
    - 1 Inswing doors with jamb extensions (other than 4 9/16" (116 mm) & 6 9/16" (166 mm) full jamb).
    - 2 Outswing doors (all) and inswing doors without jamb extensions (4 9/16" (116 mm) & 6 9/16" (166 mm) full jamb).

### Standard sizes Shown. Additional sizes may be available. Custom sizes can be ordered.

- Note:
- SDL/Grille patterns are dependent on SDL/Grille type and window size. Please verify SDL/Grille patterns before confirming your order.
  - 96 7/16" (2450 mm) radius.
    - 1 Inswing doors with jamb extensions (other than 4 9/16" (116 mm) & 6 9/16" (166 mm) full jamb).
    - 2 Outswing doors (all) and inswing doors without jamb extensions (4 9/16" (116 mm) & 6 9/16" (166 mm) full jamb).

## Quarter Round Terrace Door 1 Wide Door Sizes

		Width					
Rough Opening Inswing with Jamb Extension <sup>1</sup>		31 7/8 [809]	35 1/82 [892]	37 3/4 [959]			
		Rough Opening <sup>2</sup>					
		Frame					
		Panel					
		Visible Glass					
80 3/8 [2042]	80 1/8 [2035]	79 1/2 [2020]	76 7/16 [1942]	63 3/8 [1610]	CTTD1 0720	CTTD1 0820	
82 3/16 [2087]	81 7/8 [2080]	81 5/16 [2065]	78 1/4 [1987]	65 3/16 [1655]	CTTD1 0721	CTTD1 0821	CTTD1 0921
86 7/8 [2206]	86 9/16 [2199]	86 [2184]	82 15/16 [2106]	69 7/8 [1774]	CTTD1 0770	CTTD1 0870	CTTD1 0970
95 3/8 [2422]	95 1/16 [2415]	94 1/2 [2400]	91 7/16 [2322]	78 3/8 [1990]	CTTD1 0724	CTTD1 0824	CTTD1 0924
98 1/4 [2496]	98 [2489]	97 3/8 [2474]	94 5/16 [2396]	81 3/4 [2077]	CTTD1 0780	CTTD1 0880	CTTD1 0980
99 15/16 [2538]	99 5/8 [2531]	99 1/16 [2516]	96 [2438]	82 15/16 [2106]	CTTD1 0725	CTTD1 0825	CTTD1 0925
107 3/16 [2722]	106 7/8 [2715]	106 5/16 [2700]	103 1/4 [2622]	90 3/16 [2290]	CTTD1 0727	CTTD1 0827	CTTD1 0927

Glass Size = Visible Glass + 15/16" (24 mm)

\* Availability of half/quarter round doors in metal clad may be limited. Consult your Authorized Loewen Dealer

### Standard sizes Shown. Additional sizes may be available. Custom sizes can be ordered.

- Note:
- SDL/Grille patterns are dependent on SDL/Grille type and window size. Please verify SDL/Grille patterns before confirming your order.
  - Half round doors are available in wood exterior.
    - 1 Inswing doors with jamb extensions (other than 4 9/16" (116 mm) & 6 9/16" (166 mm) full jamb).
    - 2 Outswing doors (all) and inswing doors without jamb extensions (4 9/16" (116 mm) & 6 9/16" (166 mm) full jamb).

## Quarter Round Terrace Door 2 Wide Door Sizes

		Width					
Rough Opening Inswing with Jamb Extension <sup>1</sup>		60 7/16 [1535]	66 15/16 [1701]	72 1/4 [1835]			
		Rough Opening <sup>2</sup>					
		Frame					
		Panel					
		Visible Glass					
80 3/8 [2042]	80 1/8 [2035]	79 1/2 [2020]	76 7/16 [1942]	63 3/8 [1610]	CTTD2 1520	CTTD2 1620	
82 3/16 [2087]	81 7/8 [2080]	81 5/16 [2065]	78 1/4 [1987]	65 3/16 [1655]	CTTD2 1521	CTTD2 1621	CTTD2 1821
86 7/8 [2206]	86 9/16 [2199]	86 [2184]	82 15/16 [2106]	69 7/8 [1774]	CTTD2 1570	CTTD2 1670	CTTD2 1870
95 3/8 [2422]	95 1/16 [2415]	94 1/2 [2400]	91 7/16 [2322]	78 3/8 [1990]	CTTD2 1524	CTTD2 1624	CTTD2 1824
98 1/4 [2496]	98 [2489]	97 3/8 [2474]	94 5/16 [2396]	81 3/4 [2077]	CTTD2 1580	CTTD2 1680	CTTD2 1880
99 15/16 [2538]	99 5/8 [2531]	99 1/16 [2516]	96 [2438]	82 15/16 [2106]	CTTD2 1525	CTTD2 1625	CTTD2 1825
107 3/16 [2722]	106 7/8 [2715]	106 5/16 [2700]	103 1/4 [2622]	90 3/16 [2290]	CTTD2 1527	CTTD2 1627	CTTD2 1827

Glass Size = Visible Glass + 15/16" (24 mm)

\* Availability of half/quarter round doors in metal clad may be limited. Consult your Authorized Loewen Dealer

### Standard sizes Shown. Additional sizes may be available. Custom sizes can be ordered.

- Note:
- SDL/Grille patterns are dependent on SDL/Grille type and window size. Please verify SDL/Grille patterns before confirming your order.
  - Half round doors are available in wood exterior.
    - 1 Inswing doors with jamb extensions (other than 4 9/16" (116 mm) & 6 9/16" (166 mm) full jamb).
    - 2 Outswing doors (all) and inswing doors without jamb extensions (4 9/16" (116 mm) & 6 9/16" (166 mm) full jamb).

# Half Round Terrace Door 1 Wide Door Sizes (Non-Clad Only)

					Width		
Rough Opening Inswing with Jamb Extension <sup>1</sup>					31 7/8 [809]	35 1/82 [892]	37 3/4 [959]
Rough Opening <sup>2</sup>					31 1/4 [793]	34 1/2 [876]	37 1/8 [943]
Frame					30 1/2 [774]	33 3/4 [857]	36 3/8 [924]
Panel					28 9/16 [726]	31 7/8 [809]	34 1/2 [876]
Visible Glass					19 15/16 [506]	23 3/16 [589]	25 13/16 [656]
80 3/8 [2042]	80 1/8 [2035]	79 1/2 [2020]	76 7/16 [1942]	63 15/16 [1624]	CTTD1 0720	CTTD1 0820	
82 3/16 [2087]	81 7/8 [2080]	81 5/16 [2065]	78 1/4 [1987]	65 11/16 [1668]	CTTD1 0721	CTTD1 0821	CTTD1 0921
86 7/8 [2206]	86 9/16 [2199]	86 [2184]	82 15/16 [2106]	70 3/8 [1787]	CTTD1 0770	CTTD1 0870	CTTD1 0970
95 3/8 [2422]	95 1/16 [2415]	94 1/2 [2400]	91 7/16 [2322]	78 7/8 [2003]	CTTD1 0724	CTTD1 0824	CTTD1 0924
98 1/4 [2496]	98 [2489]	97 3/8 [2474]	94 5/16 [2396]	81 3/4 [2077]	CTTD1 0780	CTTD1 0880	CTTD1 0980
99 15/16 [2538]	99 5/8 [2531]	99 1/16 [2516]	96 [2438]	83 7/16 [2119]	CTTD1 0725	CTTD1 0825	CTTD1 0925
107 3/16 [2722]	106 7/8 [2715]	106 5/16 [2700]	103 1/4 [2622]	90 11/16 [2303]	CTTD1 0727	CTTD1 0827	

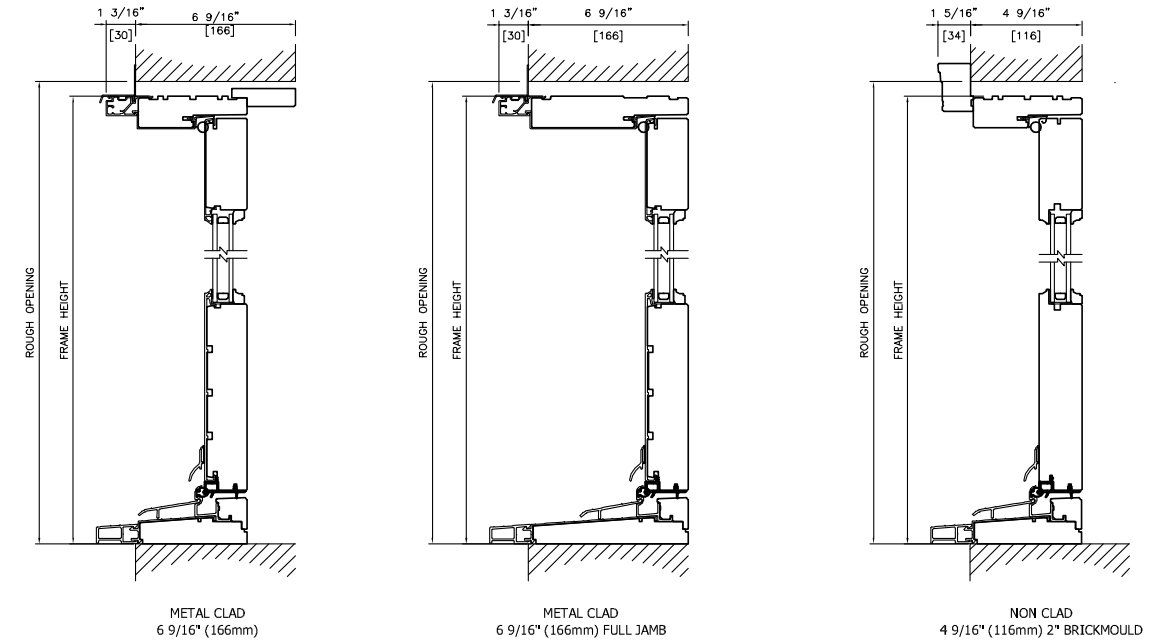
Height

Product Code

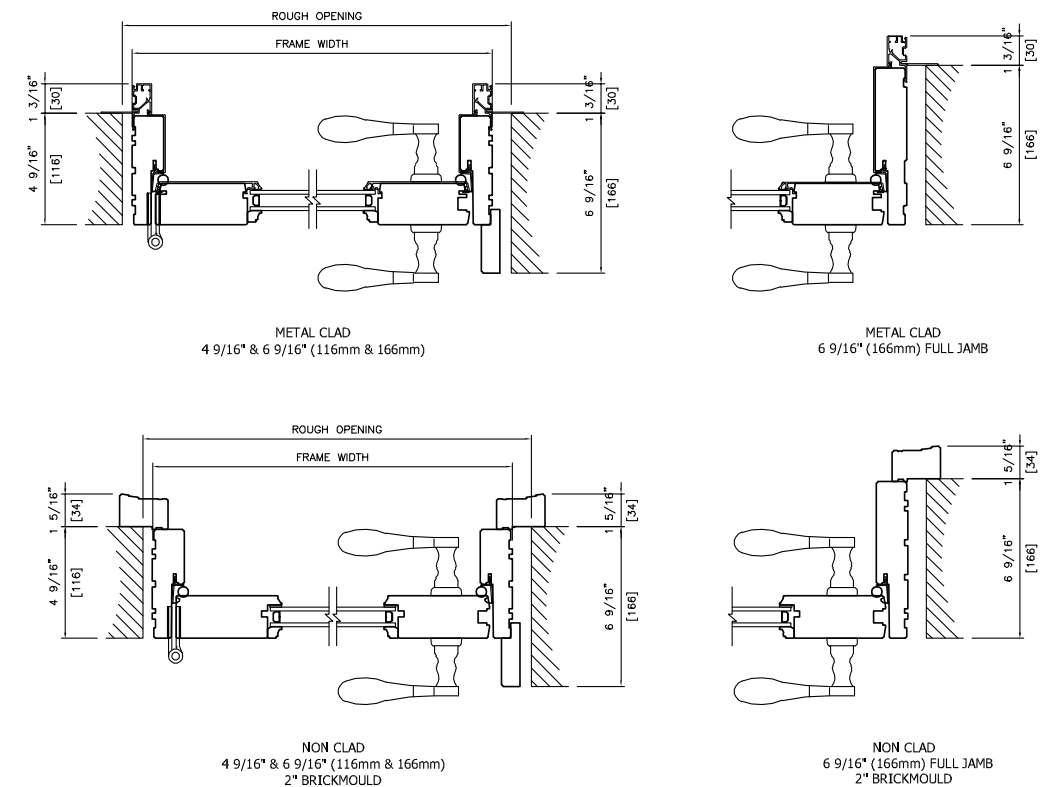
Glass Size = Visible Glass + 15/16" (24 mm)

# Inswing Terrace Door Wall Connection Detail

## Head & Sill Detail



## Plan View



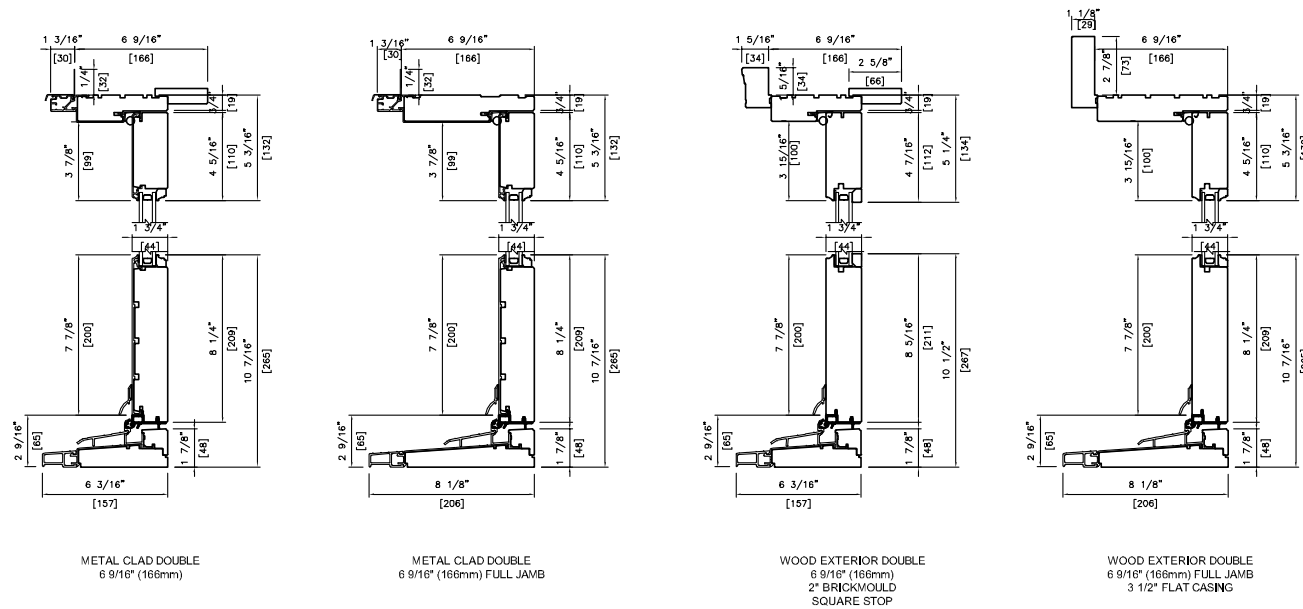
Standard sizes shown. Additional sizes may be available. Custom sizes can be ordered.

- Note:
- SDL/Grille patterns are dependent on SDL/Grille type and window size. Please verify SDL/Grille patterns before confirming your order.
  - 1 Inswing doors with jamb extensions (other than 4 9/16" (116 mm) & 6 9/16" (166 mm) full jamb).
  - 2 Outswing doors (all) and inswing doors without jamb extensions (4 9/16" (116 mm) & 6 9/16" (166 mm) full jamb).

- Note:
- Other jamb widths available.
  - All dimensions to have +/- 1/16" (2mm) tolerance.

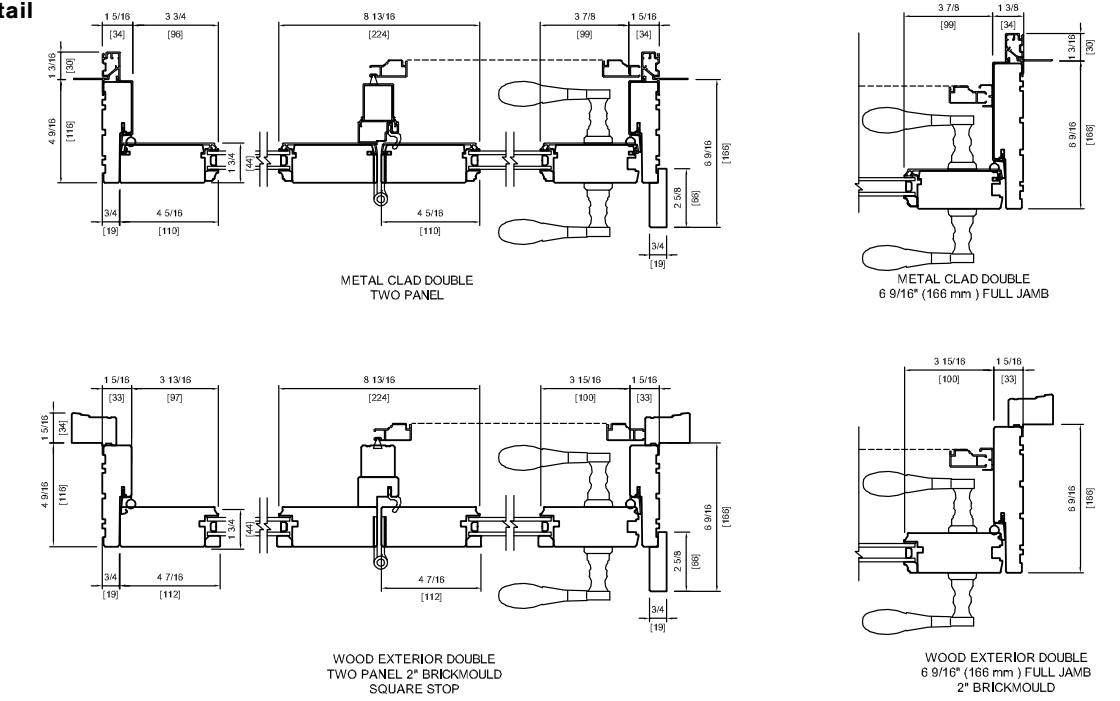
# Inswing Terrace Door Detail

## Head & Sill Detail

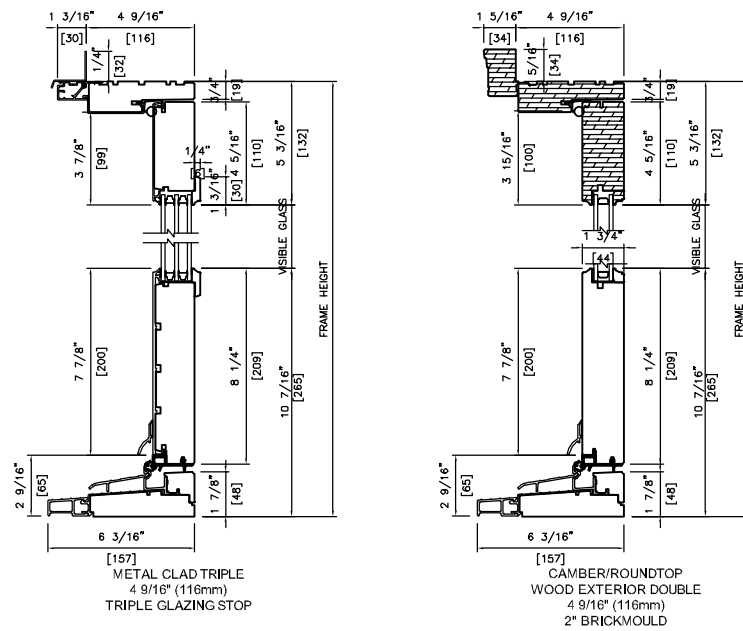


# Inswing Terrace Door Detail

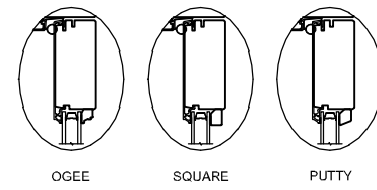
## Head & Sill Detail



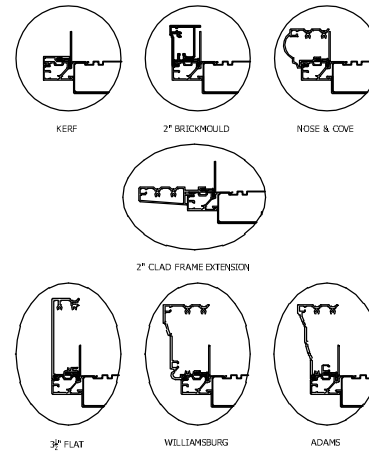
## Head & Sill Detail



## Glazing Stop Profiles

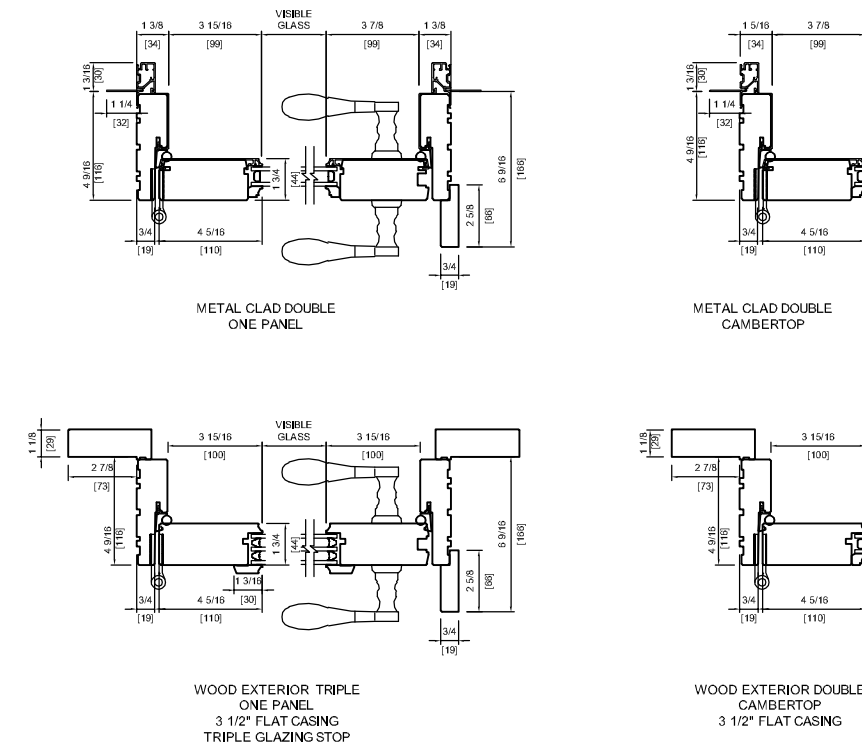


## Casing

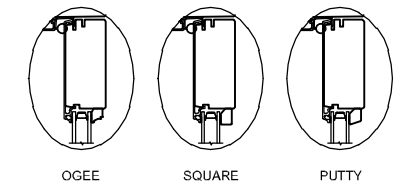


Note: • Other jamb widths available.  
• All dimensions to have +/- 1/16" (2mm) tolerance.

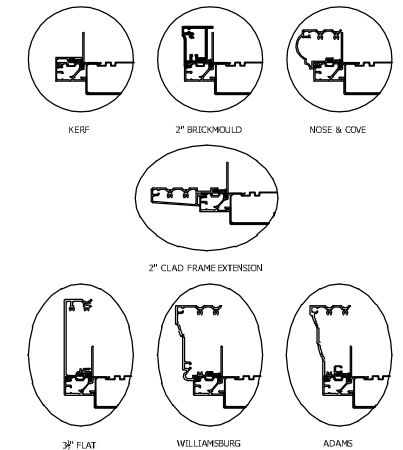
## Head & Sill Detail



## Glazing Stop Profiles



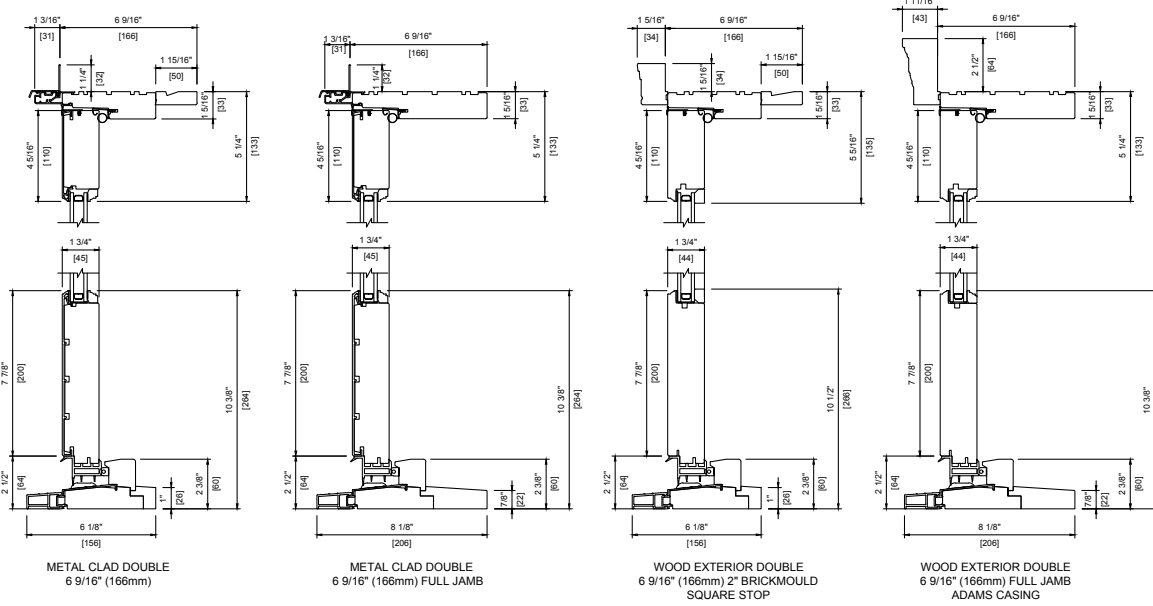
## Casing



Note: • Other jamb widths available.  
• All dimensions to have +/- 1/16" (2mm) tolerance.

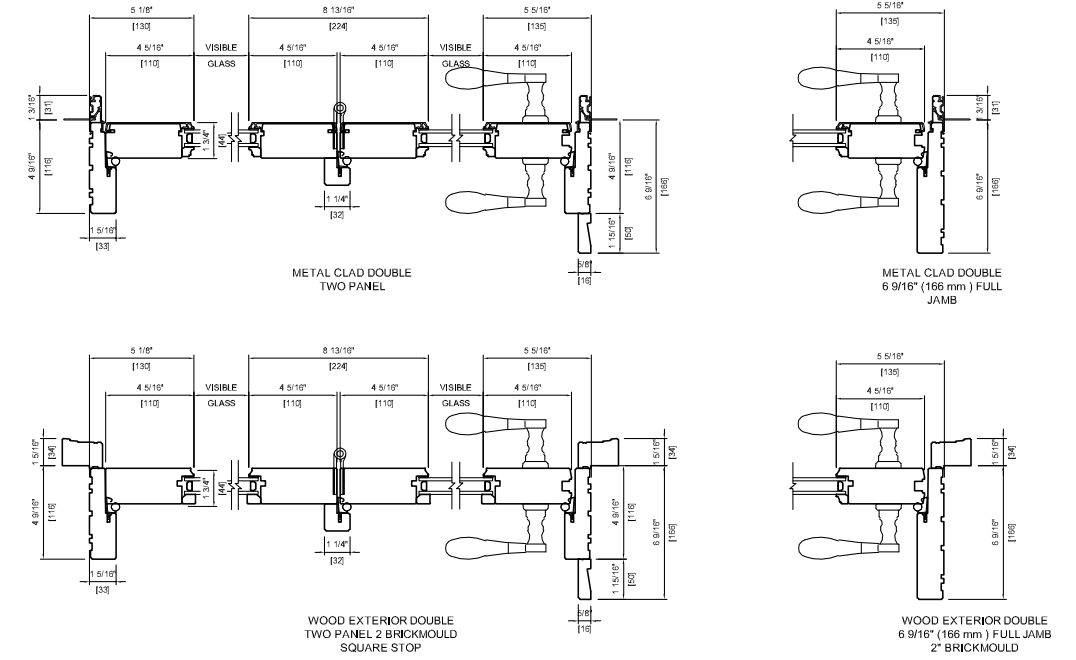
# Outswing Terrace Door Detail

## Head & Sill Detail

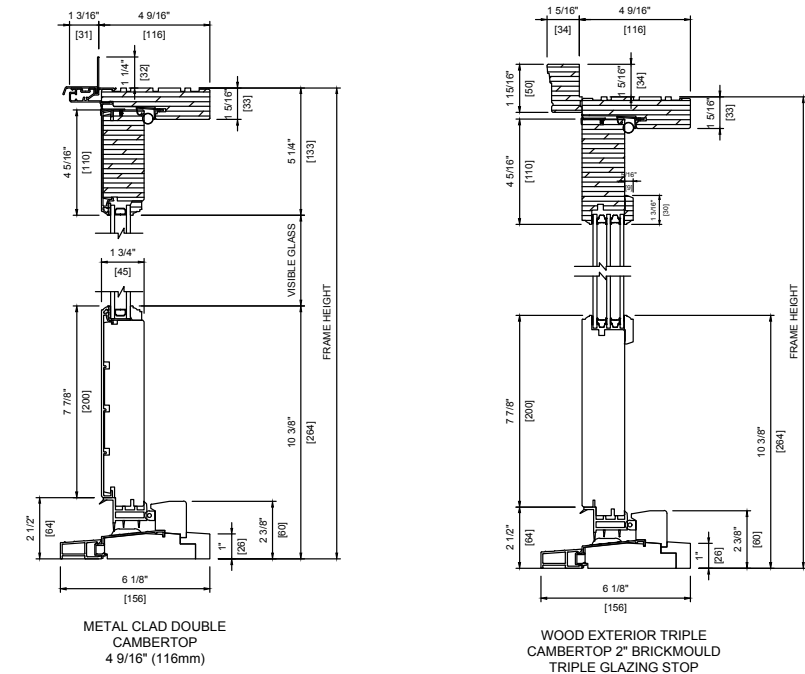


# Outswing Terrace Door Detail

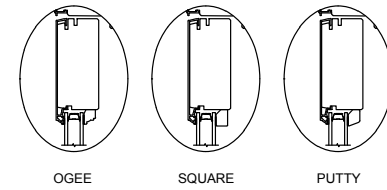
## Head & Sill Detail



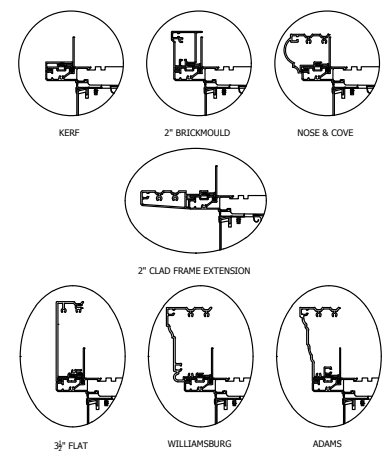
## Head & Sill Detail



## Glazing Stop Profiles

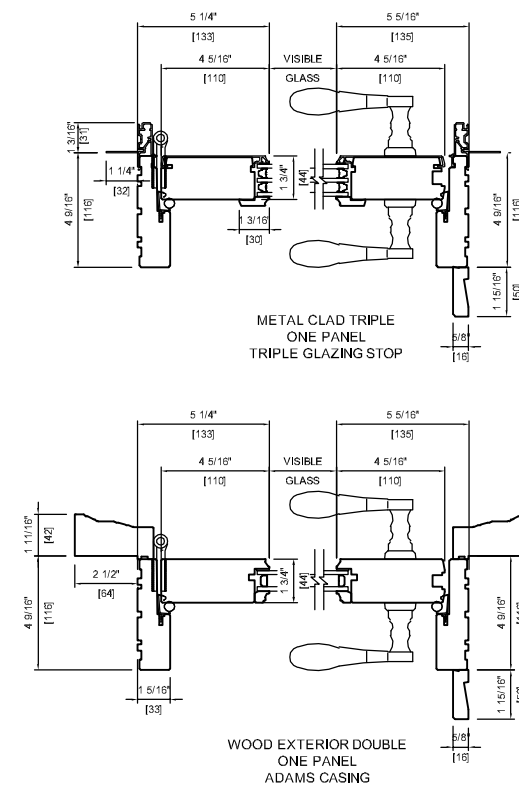


## Casing

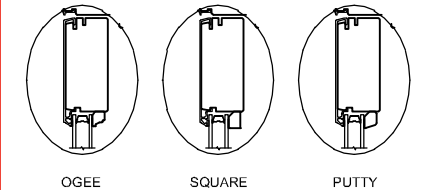


Note: • Other jamb widths available.  
• All dimensions to have +/- 1/16" (2mm) tolerance.

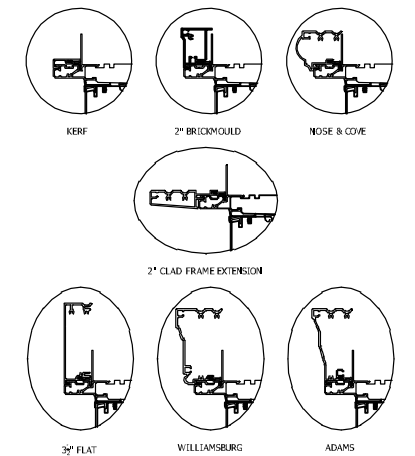
## Head & Sill Detail



## Glazing Stop Profiles



## Casing



Note: • Other jamb widths available.  
• All dimensions to have +/- 1/16" (2mm) tolerance.

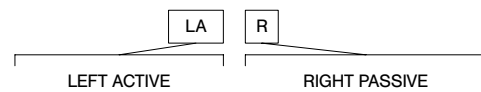


## French Terrace Door & Transom 2 Wide Door Sizes

						Width																	
Rough Opening Inswing with Jamb Extension <sup>1</sup>						47 7/8	61 9/16	68 1/8	73 3/8	81 1/4	88 7/16												
						Rough Opening <sup>2</sup>						47 1/4	60 15/16	67 1/2	72 3/4	80 5/8	87 13/16						
						Frame						46 1/2	60 3/16	66 3/4	72	79 7/8	87 1/16						
						Panel						21 3/4	28 9/16	31 7/8	34 1/2	38 7/16	42						
						Visible Glass						13 1/16	19 15/16	23 3/16	25 13/16	29 3/4	33 3/8						
						TRANSOM																	
16 5/8	16 5/16	15 3/4	13 7/8	9 11/16	*FDT2	*FDT2	*FDT2	*FDT2	*FDT2	*FDT2	*FDT2												
[422]	[415]	[400]	[352]	[246]	1204	1504	1604	1804	2004	2204	2204												
24 1/2	24 3/16	23 5/8	21 3/4	17 9/16	*FDT2	*FDT2	*FDT2	*FDT2	*FDT2	*FDT2	*FDT2												
[622]	[615]	[600]	[552]	[446]	1206	1506	1606	1806	2006	2206	2206												
						DOORS																	
80 3/8	80 1/8	79 1/2	76 7/16	63 7/8	FD2	FD2	FD2	FD2	FD2	FD2	FD2												
[2042]	[2035]	[2020]	[1942]	[1623]	1220	1520	1620	1820	2020	2220	2220												
82 3/16	81 7/8	81 5/16	78 1/4	65 11/16	FD2	FD2	FD2	FD2	FD2	FD2	FD2												
[2087]	[2080]	[2065]	[1987]	[1668]	1221	1521	1621	1821	2021	2221	2221												
86 7/8	86 9/16	86	82 15/16	70 3/8	FD2	FD2	FD2	FD2	FD2	FD2	FD2												
[2206]	[2199]	[2184]	[2106]	[1787]	1270	1570	1670	1870	2070	2270	2270												
95 3/8	95 1/16	94 1/2	91 7/16	78 7/8	FD2	FD2	FD2	FD2	FD2	FD2	FD2												
[2422]	[2415]	[2400]	[2322]	[2003]	1224	1524	1624	1824	2024	2224	2224												
98 1/4	98	97 3/8	94 5/16	81 3/4	FD2	FD2	FD2	FD2	FD2	FD2	FD2												
[2496]	[2489]	[2474]	[2396]	[2077]	128	1580	1680	1880	2080	2280	2280												
99 15/16	99 5/8	99 1/16	96	83 7/16	FD2	FD2	FD2	FD2	FD2	FD2	FD2												
[2538]	[2531]	[2516]	[2438]	[2119]	1225	1525	1625	1825	2025	2225	2225												
107 3/16	106 7/8	106 5/16	103 1/4	90 11/16	FD2	FD2	FD2	FD2															
[2722]	[2715]	[2700]	[2622]	[2303]	1227	1527	1627	1827															

Product Code

Glass Size = Visible Glass + 15/16" (24 mm)



Standard sizes Shown. Additional sizes may be available. Custom sizes can be ordered.

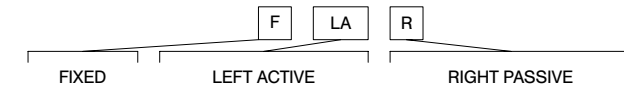
Note: • SDL/Grille patterns are dependent on SDL/Grille type and window size. Please verify SDL/Grille patterns before confirming your order.  
 1 Inswing doors with jamb extensions (other than 4 9/16" (116 mm) & 6 9/16" (166 mm) full jamb).  
 2 Outswing doors (all) and inswing doors without jamb extensions (4 9/16" (116 mm) & 6 9/16" (166 mm) full jamb).

## French Terrace Door & Transom 3 Wide Door Sizes

						Width														
Rough Opening Inswing with Jamb Extension <sup>1</sup>						90 3/16	100	107 7/8												
						Rough Opening <sup>2</sup>						89 1/2	99 5/16	107 1/4						
						Frame						88 3/4	98 9/16	106 1/2						
						Panel						28 9/16	31 7/8	34 1/2						
						Visible Glass						19 15/16	23 3/16	25 13/16						
						TRANSOM														
16 5/8	16 5/16	15 3/4	13 7/8	9 11/16	*FDT3	*FDT3	*FDT3	*FDT3	*FDT3	*FDT3	*FDT3									
[422]	[415]	[400]	[352]	[246]	2204	2404	2604	2804	3004	3204	3204									
24 1/2	24 3/16	23 5/8	21 3/4	17 9/16	*FDT3	*FDT3	*FDT3	*FDT3	*FDT3	*FDT3	*FDT3									
[622]	[615]	[600]	[552]	[446]	2206	2406	2606	2806	3006	3206	3206									
						DOORS														
80 3/8	80 1/8	79 1/2	76 7/16	63 7/8	FD3	FD3	FD3	FD3	FD3	FD3	FD3									
[2042]	[2035]	[2020]	[1942]	[1623]	2220	2420	2620	2820	3020	3220	3220									
82 3/16	81 7/8	81 5/16	78 1/4	65 11/16	FD3	FD3	FD3	FD3	FD3	FD3	FD3									
[2087]	[2080]	[2065]	[1987]	[1668]	2221	2421	2621	2821	3021	3221	3221									
86 7/8	86 9/16	86	82 15/16	70 3/8	FD3	FD3	FD3	FD3	FD3	FD3	FD3									
[2206]	[2199]	[2184]	[2106]	[1787]	2270	2470	2670	2870	3070	3270	3270									
95 3/8	95 1/16	94 1/2	91 7/16	78 7/8	FD3	FD3	FD3	FD3	FD3	FD3	FD3									
[2422]	[2415]	[2400]	[2322]	[2003]	2224	2424	2624	2824	3024	3224	3224									
98 1/4	98	97 3/8	94 5/16	81 3/4	FD3	FD3	FD3	FD3	FD3	FD3	FD3									
[2496]	[2489]	[2474]	[2396]	[2077]	2280	2480	2680	2880	3080	3280	3280									
99 15/16	99 5/8	99 1/16	96	83 7/16	FD3	FD3	FD3	FD3	FD3	FD3	FD3									
[2538]	[2531]	[2516]	[2438]	[2119]	2225	2425	2625	2825	3025	3225	3225									
107 3/16	106 7/8	106 5/16	103 1/4	90 11/16	FD3	FD3	FD3	FD3												
[2722]	[2715]	[2700]	[2622]	[2303]	2227	2427	2627	2827												

Product Code

Glass Size = Visible Glass + 15/16" (24 mm)



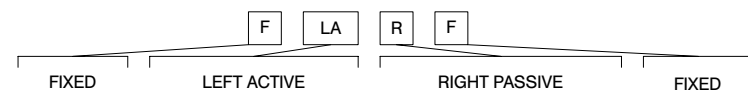
Standard sizes Shown. Additional sizes may be available. Custom sizes can be ordered.

Note: • SDL/Grille patterns are dependent on SDL/Grille type and window size. Please verify SDL/Grille patterns before confirming your order.  
 1 Inswing doors with jamb extensions (other than 4 9/16" (116 mm) & 6 9/16" (166 mm) full jamb).  
 2 Outswing doors (all) and inswing doors without jamb extensions (4 9/16" (116 mm) & 6 9/16" (166 mm) full jamb).

## French Terrace Door & Transom 4 Wide Door Sizes

					Width						
Rough Opening Inswing with Jamb Extension <sup>1</sup>					91 5/16 [2320]	118 3/4 [3016]	131 13/16 [3348]	142 3/8 [3616]	158 1/8 [4016]	172 7/16 [4380]	
Rough Opening <sup>2</sup>					90 11/16 [2304]	118 1/8 [3000]	131 3/16 [3332]	141 3/4 [3600]	157 1/2 [4000]	171 13/16 [4364]	
Frame					89 15/16 [2285]	117 3/8 [2981]	130 7/16 [3313]	141 [3581]	156 3/4 [3981]	171 1/16 [4345]	
Panel					21 3/4 [552]	28 9/16 [726]	31 7/8 [809]	34 1/2 [876]	38 7/16 [976]	42 [1067]	
Visible Glass					13 1/16 [332]	19 15/16 [506]	23 3/16 [589]	25 13/16 [656]	29 3/4 [756]	33 3/8 [847]	
					TRANSOM						
16 5/8 [422]	16 5/16 [415]	15 3/4 [400]	13 7/8 [352]	9 11/16 [246]	*FDT4 2304	*FDT4 3004	*FDT4 3304	*FDT4 3604	*FDT4 4004	*FDT4 4304	
24 1/2 [622]	24 3/16 [615]	23 5/8 [600]	21 3/4 [552]	17 9/16 [446]	*FDT4 2306	*FDT4 3006	*FDT4 3306	*FDT4 3606	*FDT4 4006	*FDT4 4306	
					DOORS						
80 3/8 [2042]	80 1/8 [2035]	79 1/2 [2020]	76 7/16 [1942]	63 7/8 [1623]	FD4 2320	FD4 3020	FD4 3320	FD4 3620	FD4 4020	FD4 4320	
82 3/16 [2087]	81 7/8 [2080]	81 5/16 [2065]	78 1/4 [1987]	65 11/16 [1668]	FD4 2321	FD4 3021	FD4 3321	FD4 3621	FD4 4021	FD4 4321	
86 7/8 [2206]	86 9/16 [2199]	86 [2184]	82 15/16 [2106]	70 3/8 [1787]	FD4 2370	FD4 3070	FD4 3370	FD4 3670	FD4 4070	FD4 4370	
95 3/8 [2422]	95 1/16 [2415]	94 1/2 [2400]	91 7/16 [2322]	78 7/8 [2003]	FD4 2324	FD4 3024	FD4 3324	FD4 3624	FD4 4024	FD4 4324	
98 1/4 [2496]	98 [2489]	97 3/8 [2474]	94 5/16 [2396]	81 3/4 [2077]	FD4 2380	FD4 3080	FD4 3380	FD4 3680	FD4 4080	FD4 4380	
99 15/16 [2538]	99 5/8 [2531]	99 1/16 [2516]	96 [2438]	83 7/16 [2119]	FD4 2325	FD4 3025	FD4 3325	FD4 3625	FD4 4025	FD4 4325	
107 3/16 [2722]	106 7/8 [2715]	106 5/16 [2700]	103 1/4 [2622]	90 11/16 [2303]	FD4 2327	FD4 30027	FD4 3327	FD4 3627			
					Product Code						

Glass Size = Visible Glass + 15/16" (24 mm)



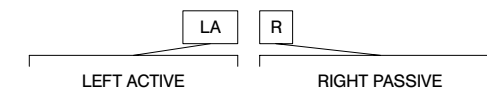
Standard sizes Shown. Additional sizes may be available. Custom sizes can be ordered.

- Note:
- SDL/Grille patterns are dependent on SDL/Grille type and window size. Please verify SDL/Grille patterns before confirming your order.
  - Transom units.
    - 1 Inswing doors with jamb extensions (other than 4 9/16" (116 mm) & 6 9/16" (166 mm) full jamb).
    - 2 Outswing doors (all) and inswing doors without jamb extensions (4 9/16" (116 mm) & 6 9/16" (166 mm) full jamb).

## Cambertop French Terrace Door 2 Wide Sizes

					Width						
Rough Opening Inswing with Jamb Extension <sup>1</sup>					47 7/8 [1216]	61 9/16 [1564]	68 1/8 [1730]	73 3/8 [1864]	81 1/4 [2064]	88 7/16 [2246]	
Rough Opening <sup>2</sup>					47 1/4 [1200]	60 15/16 [1548]	67 1/2 [1714]	72 3/4 [1848]	80 5/8 [2048]	87 13/16 [2230]	
Frame					46 1/2 [1181]	60 3/16 [1529]	66 3/4 [1695]	72 [1829]	79 7/8 [2029]	87 1/16 [2211]	
Panel					21 3/4 [552]	28 9/16 [726]	31 7/8 [809]	34 1/2 [876]	38 7/16 [976]	42 [1067]	
Visible Glass					13 1/16 [332]	19 15/16 [506]	23 3/16 [589]	25 13/16 [656]	29 3/4 [756]	33 3/8 [847]	
80 3/8 [2042]	80 1/8 [2035]	79 1/2 [2020]	76 7/16 [1942]	63 7/8 [1623]	FD2 1220	FD2 1520	FD2 1620	FD2 1820	FD2 2020	FD2 2220	
82 3/16 [2087]	81 7/8 [2080]	81 5/16 [2065]	78 1/4 [1987]	65 11/16 [1668]	FD2 1221	FD2 1521	FD2 1621	FD2 1821	FD2 2021	FD2 2221	
86 7/8 [2206]	86 9/16 [2199]	86 [2184]	82 15/16 [2106]	70 3/8 [1787]	FD2 1270	FD2 1570	FD2 1670	FD2 1870	FD2 2070	FD2 2270	
95 3/8 [2422]	95 1/16 [2415]	94 1/2 [2400]	91 7/16 [2322]	78 7/8 [2003]	FD2 1224	FD2 1524	FD2 1624	FD2 1824	FD2 2024	FD2 2224	
98 1/4 [2496]	98 [2489]	97 3/8 [2474]	94 5/16 [2396]	81 3/4 [2077]	FD2 1280	FD2 1580	FD2 1680	FD2 1880	FD2 2080	FD2 2280	
99 15/16 [2538]	99 5/8 [2531]	99 1/16 [2516]	96 [2438]	83 7/16 [2119]	FD2 1225	FD2 1525	FD2 1625	FD2 1825			
107 3/16 [2722]	106 7/8 [2715]	106 5/16 [2700]	103 1/4 [2622]	90 11/16 [2303]	FD2 1227	FD2 1527	FD2 1627	FD2 1827			
					Product Code						

Glass Size = Visible Glass + 15/16" (24 mm)



Standard sizes Shown. Additional sizes may be available. Custom sizes can be ordered.

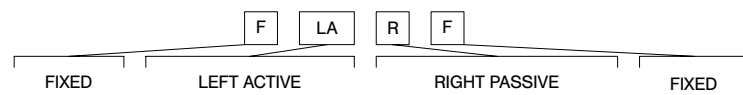
- Note:
- SDL/Grille patterns are dependent on SDL/Grille type and window size. Please verify SDL/Grille patterns before confirming your order.
  - 96 7/16" (2450 mm) radius.
    - 1 Inswing doors with jamb extensions (other than 4 9/16" (116 mm) & 6 9/16" (166 mm) full jamb).
    - 2 Outswing doors (all) and inswing doors without jamb extensions (4 9/16" (116 mm) & 6 9/16" (166 mm) full jamb).

# Cambertop French Terrace Door 4 Wide Sizes

		Width								
Rough Opening Inswing with Jamb Extension <sup>1</sup>		91 5/16 [2320]	118 3/4 [3016]	131 13/16 [3348]	142 3/8 [3616]	158 1/8 [4016]	172 7/16 [4380]			
Rough Opening <sup>2</sup>		90 11/16 [2304]	118 1/8 [3000]	131 3/16 [3332]	141 3/4 [3600]	157 1/2 [4000]	171 13/16 [4364]			
Frame		89 15/16 [2285]	117 3/8 [2981]	130 7/16 [3313]	141 [3581]	156 3/4 [3981]	171 1/16 [4345]			
Panel		21 3/4 [552]	28 9/16 [726]	31 7/8 [809]	34 1/2 [876]	38 7/16 [976]	42 [1067]			
Visible Glass		13 1/16 [332]	19 15/16 [506]	23 3/16 [589]	25 13/16 [656]	29 3/4 [756]	33 3/8 [847]			
80 3/8 [2042]	80 1/8 [2035]	79 1/2 [2020]	76 7/16 [1942]	63 7/8 [1623]	FD4 2320	FD4 3020	FD4 3320	FD4 3620	FD4 4020	FD4 4320
82 3/16 [2087]	81 7/8 [2080]	81 5/16 [2065]	78 1/4 [1987]	65 11/16 [1668]	FD4 2321	FD4 3021	FD4 3321	FD4 3621	FD4 4021	FD4 4321
86 7/8 [2206]	86 9/16 [2199]	86 [2184]	82 15/16 [2106]	70 3/8 [1787]	FD4 2370	FD4 3070	FD4 3370	FD4 3670	FD4 4070	FD4 4370
95 3/8 [2422]	95 1/16 [2415]	94 1/2 [2400]	91 7/16 [2322]	78 7/8 [2003]	FD4 2324	FD4 3024	FD4 3324	FD4 3624	FD4 4024	FD4 4324
98 1/4 [2496]	98 [2489]	97 3/8 [2474]	94 5/16 [2396]	81 3/4 [2077]	FD4 2380	FD4 3080	FD4 3380	FD4 3680	FD4 4080	FD4 4380
99 15/16 [2538]	99 5/8 [2531]	99 1/16 [2516]	96 [2438]	83 7/16 [2119]	FD4 2325	FD4 3025	FD4 3325	FD4 3625		
107 3/16 [2722]	106 7/8 [2715]	106 5/16 [2700]	103 1/4 [2622]	90 11/16 [2303]	FD4 2327	FD4 3027	FD4 3327	FD4 3627		

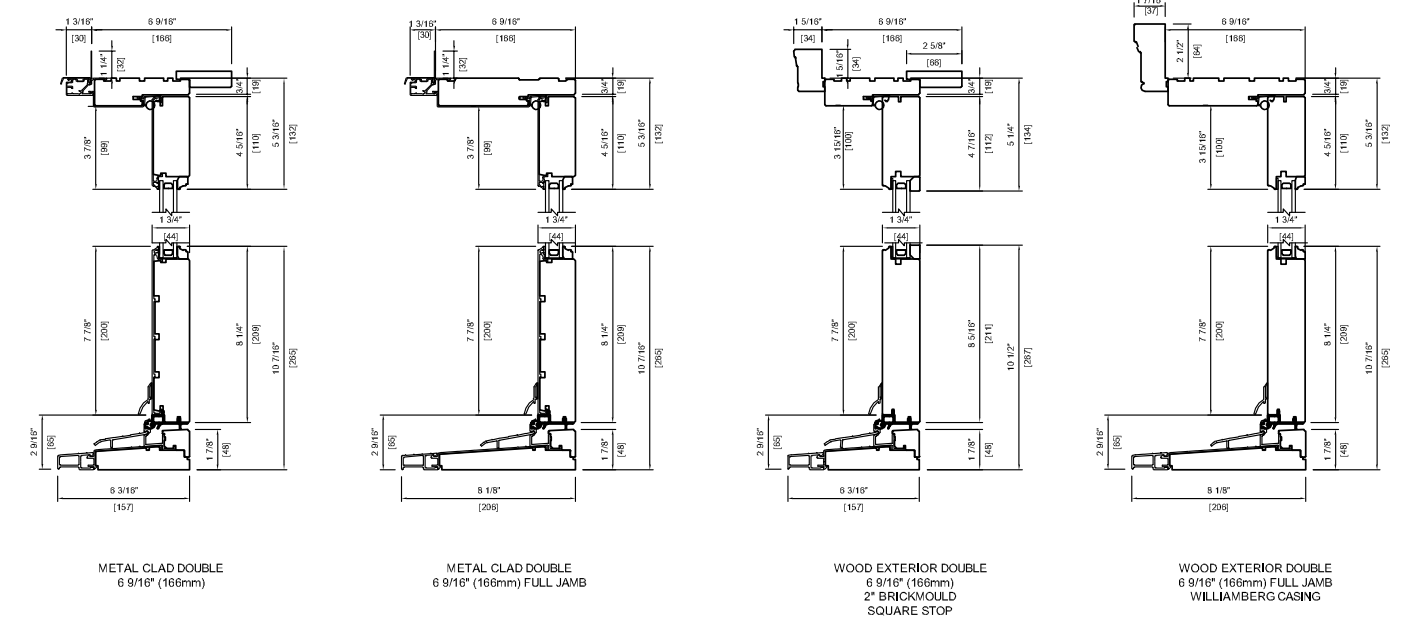
Product Code

Glass Size = Visible Glass + 15/16" (24 mm)

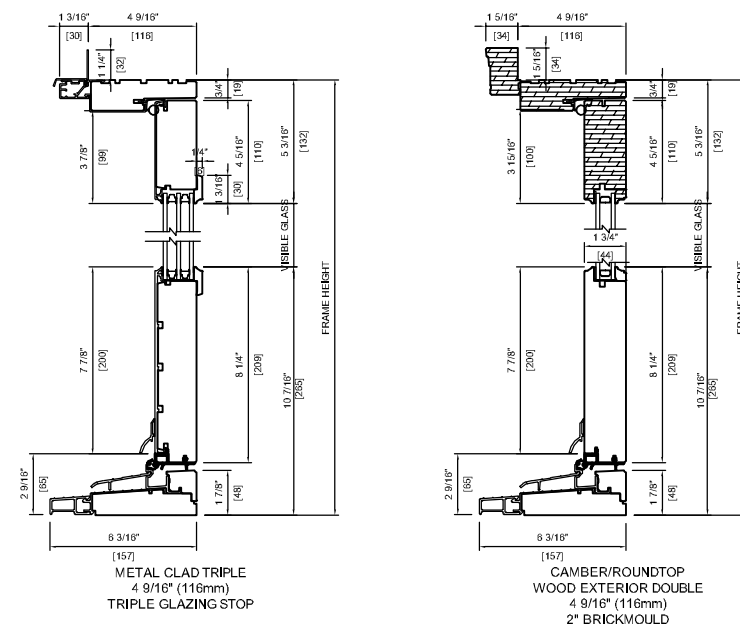


# Inswing French Terrace Door Detail

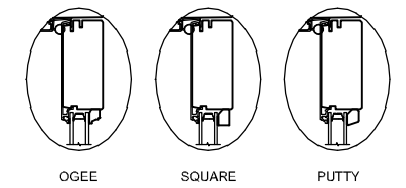
## Head & Sill Detail



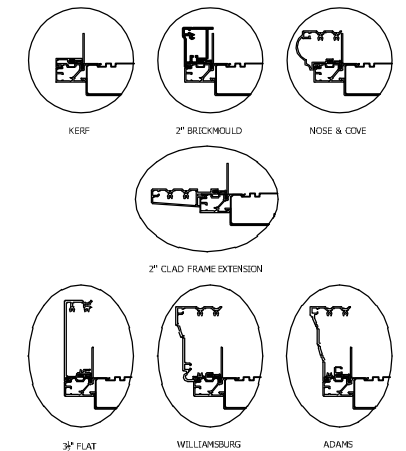
## Head & Sill Detail



## Glazing Stop Profiles



## Casing



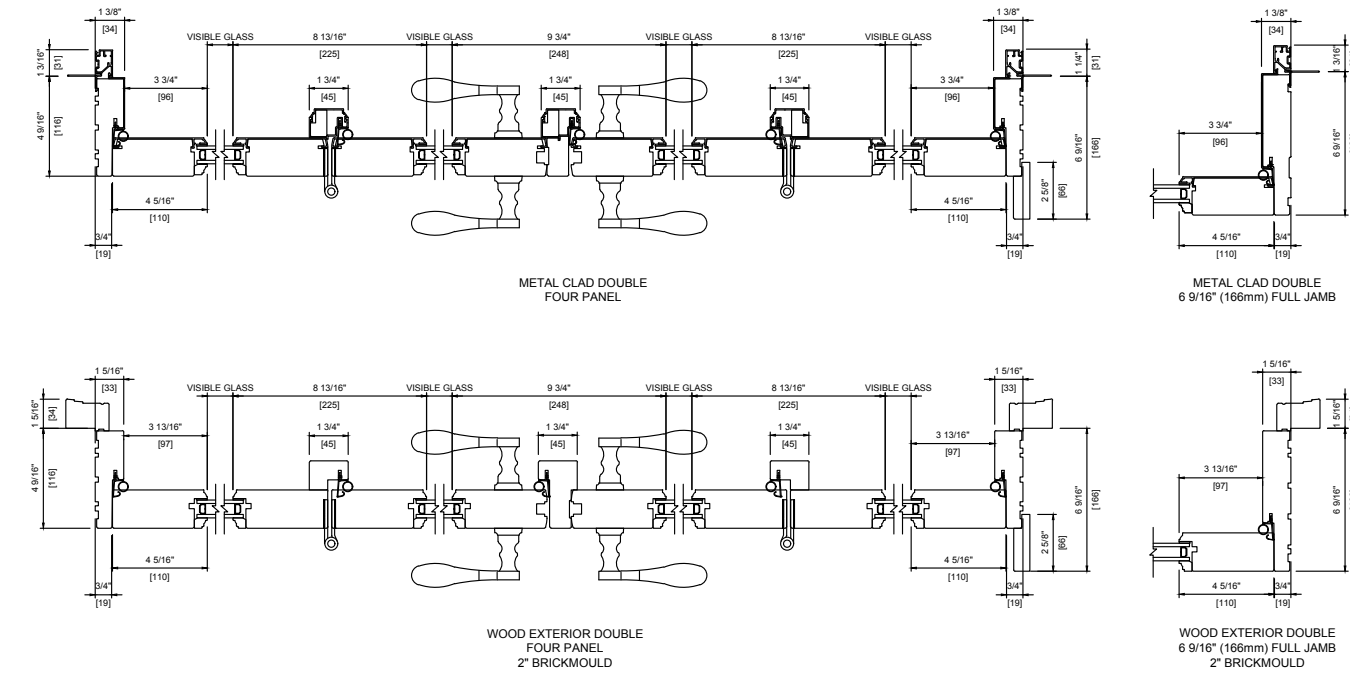
Standard sizes shown. Additional sizes may be available. Custom sizes can be ordered.

- Note:
- SDL/Grille patterns are dependent on SDL/Grille type and window size. Please verify SDL/Grille patterns before confirming your order.
  - 200 13/16" (5100 mm) radius.
    - 1 Inswing doors with jamb extensions (other than 4 9/16" (116 mm) & 6 9/16" (166 mm) full jamb).
    - 2 Outswing doors (all) and inswing doors without jamb extensions (4 9/16" (116 mm) & 6 9/16" (166 mm) full jamb).

- Note:
- Other jamb widths available.
  - All dimensions to have +/- 1/16" (2mm) tolerance.

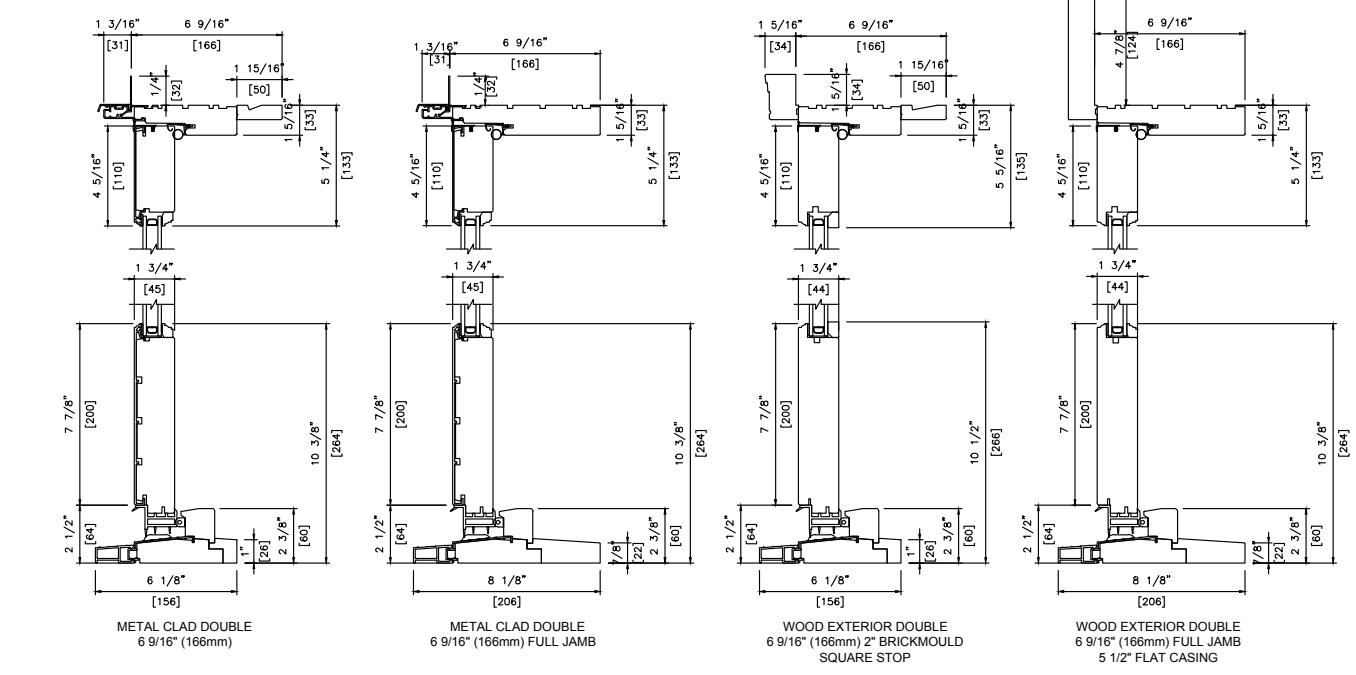
# Inswing French Terrace Door Detail

## Plan View

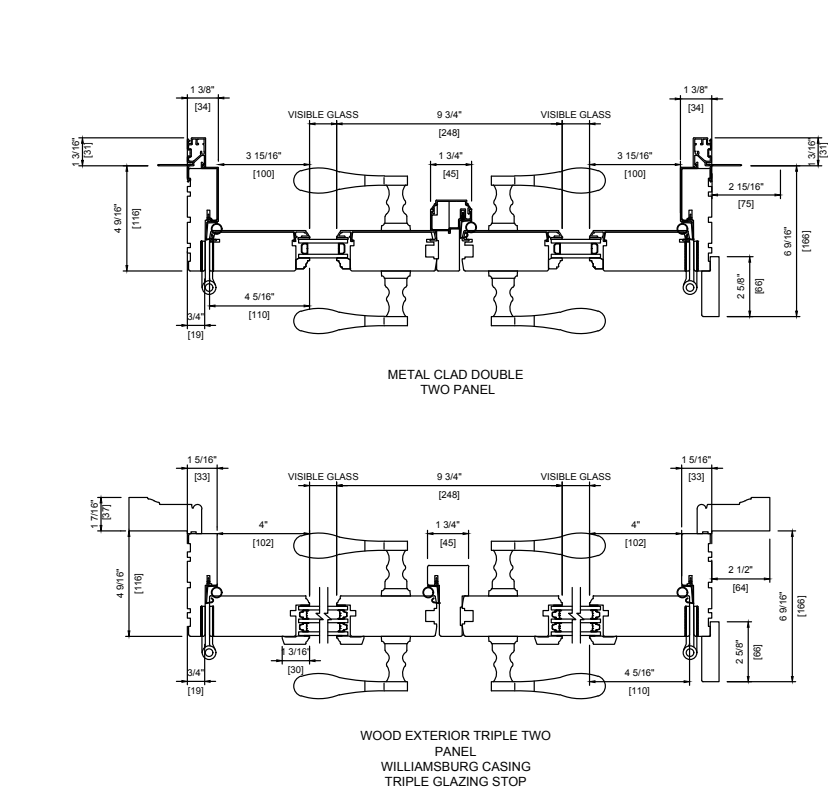


# Outswing French Terrace Door Detail

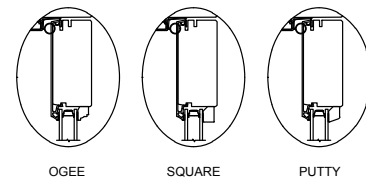
## Head & Sill Detail



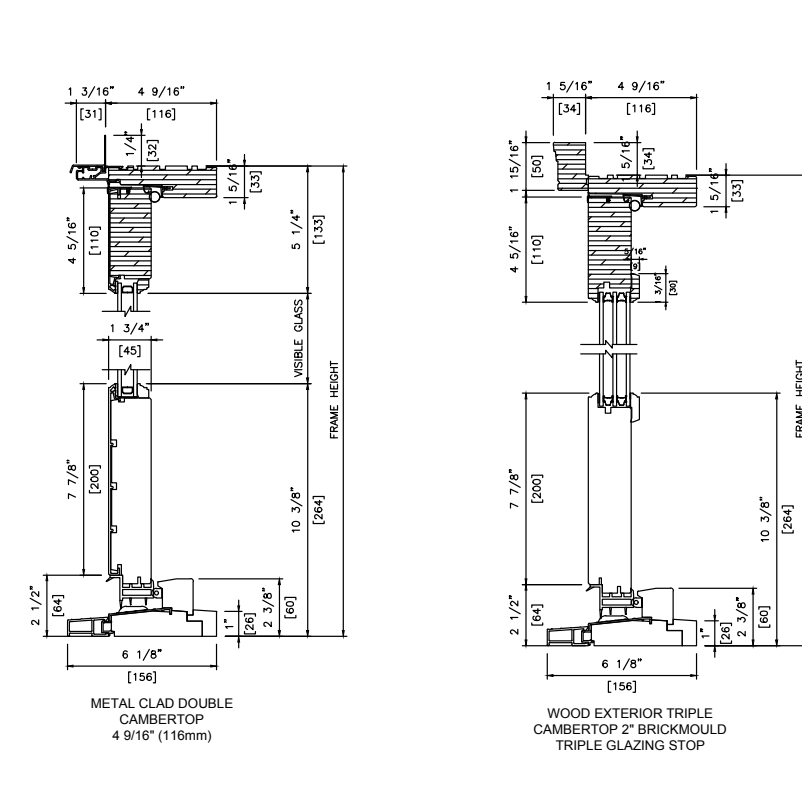
## Plan View



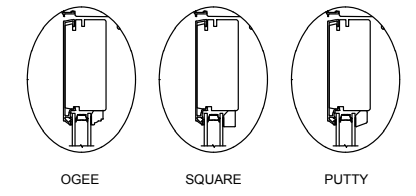
## Glazing Stop Profiles



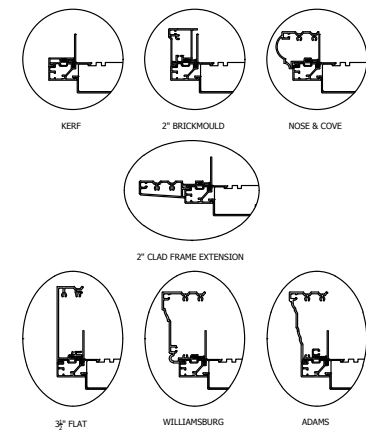
## Head & Sill Detail



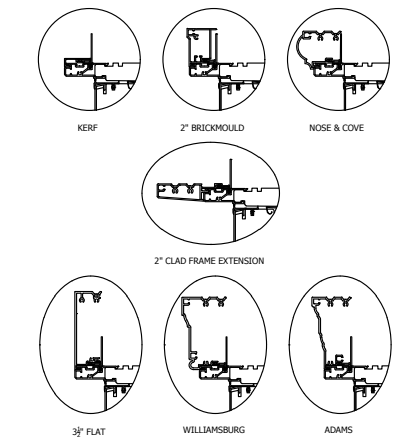
## Glazing Stop Profiles



## Casing



## Casing

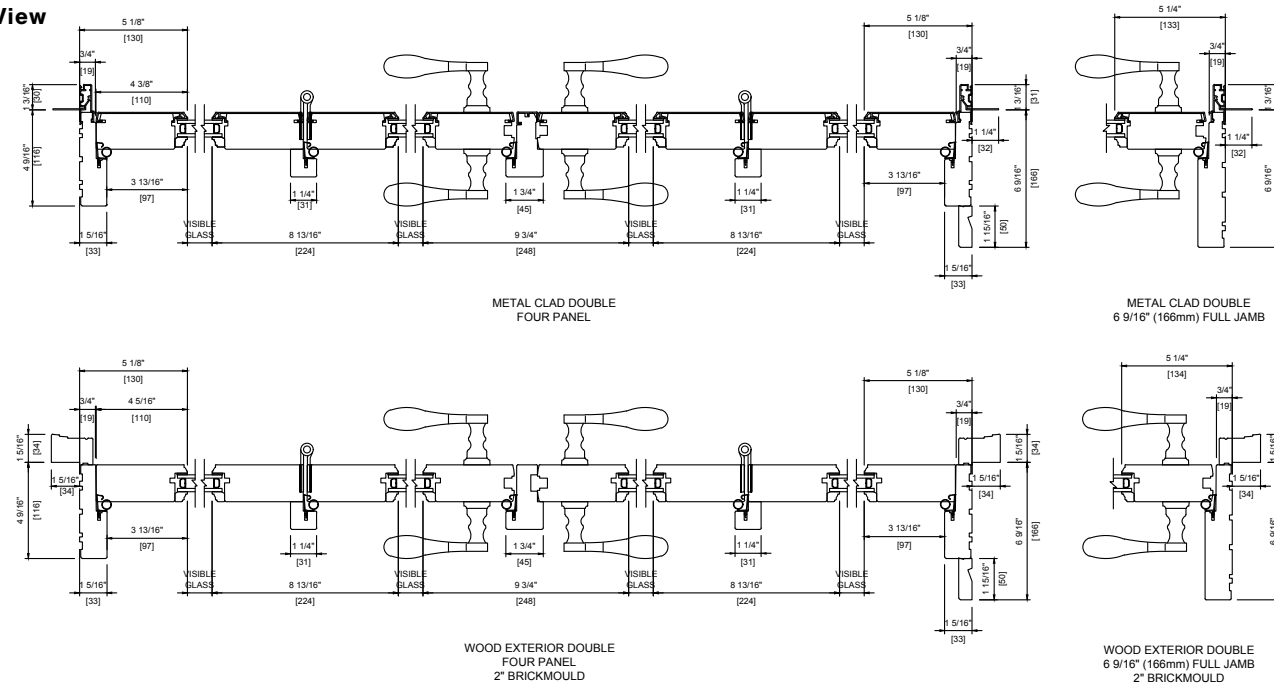


**Note:** • Other jamb widths available.  
• All dimensions to have +/- 1/16" (2mm) tolerance.

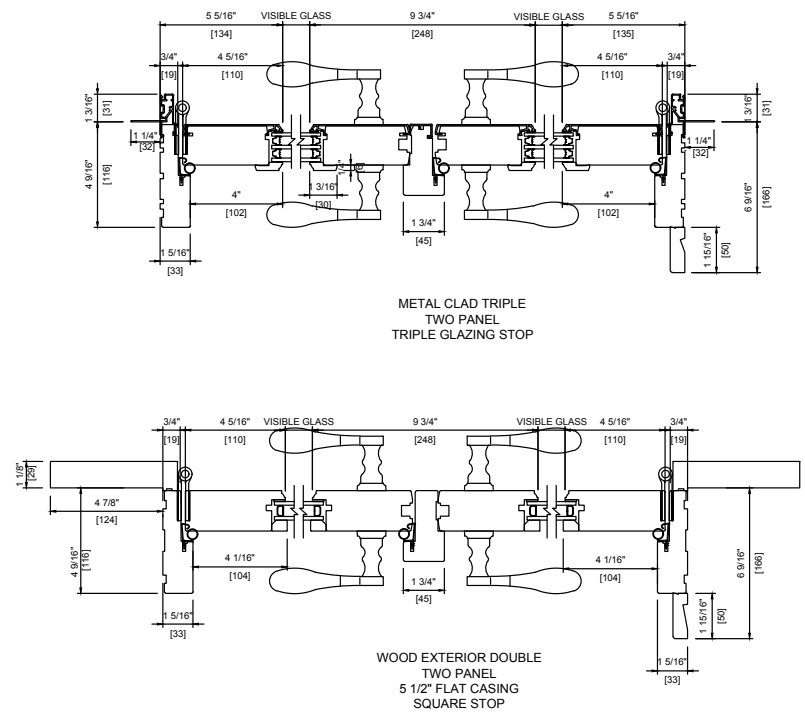
**Note:** • Other jamb widths available.  
• All dimensions to have +/- 1/16" (2mm) tolerance.

# Outswing French Terrace Door Detail

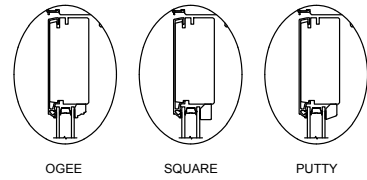
## Plan View



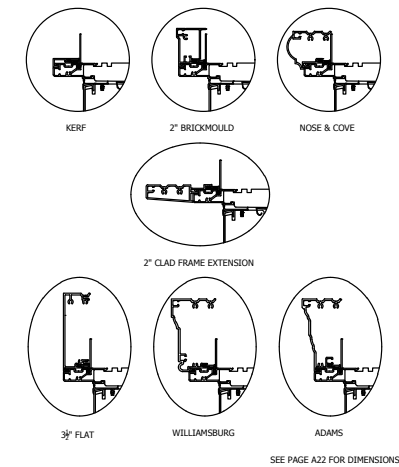
## Plan View



## Glazing Stop Profiles



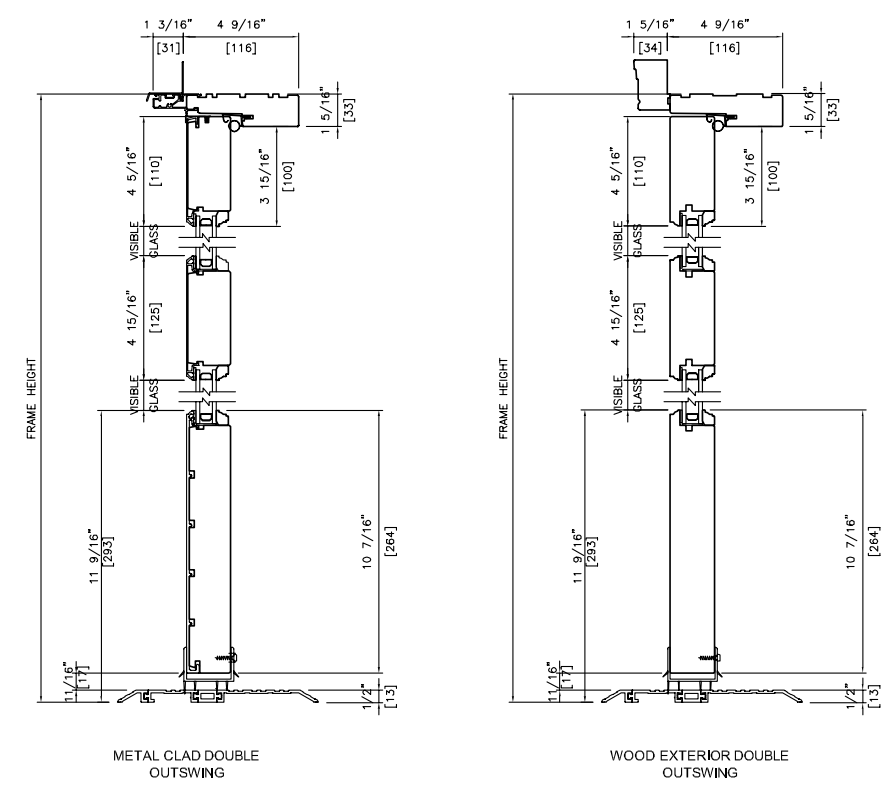
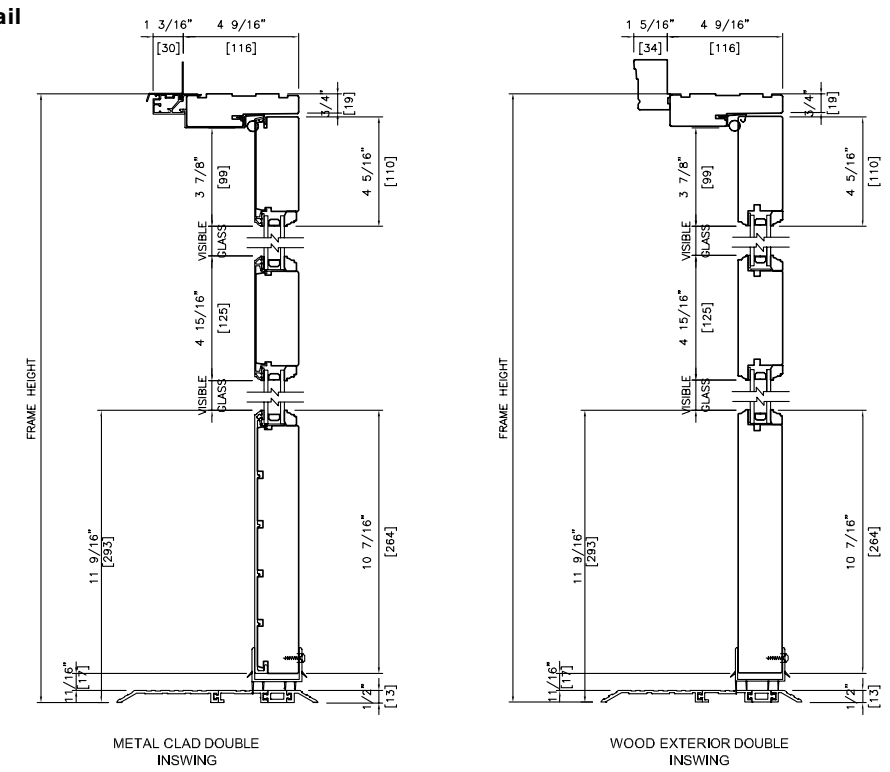
## Casing



Note: • Other jamb widths available.  
• All dimensions to have +/- 1/16" (2mm) tolerance.

# Terrace/French Terrace Door Low Profile & Midrail Detail, Wide Bottom Rail

## Head & Sill Detail

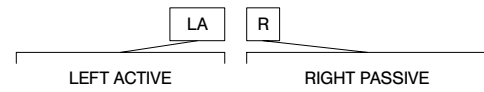


Note: • Other jamb widths available.  
• All dimensions to have +/- 1/16" (2mm) tolerance.

# 10' Terrace/French Terrace Door 1 & 2 Wide Sizes

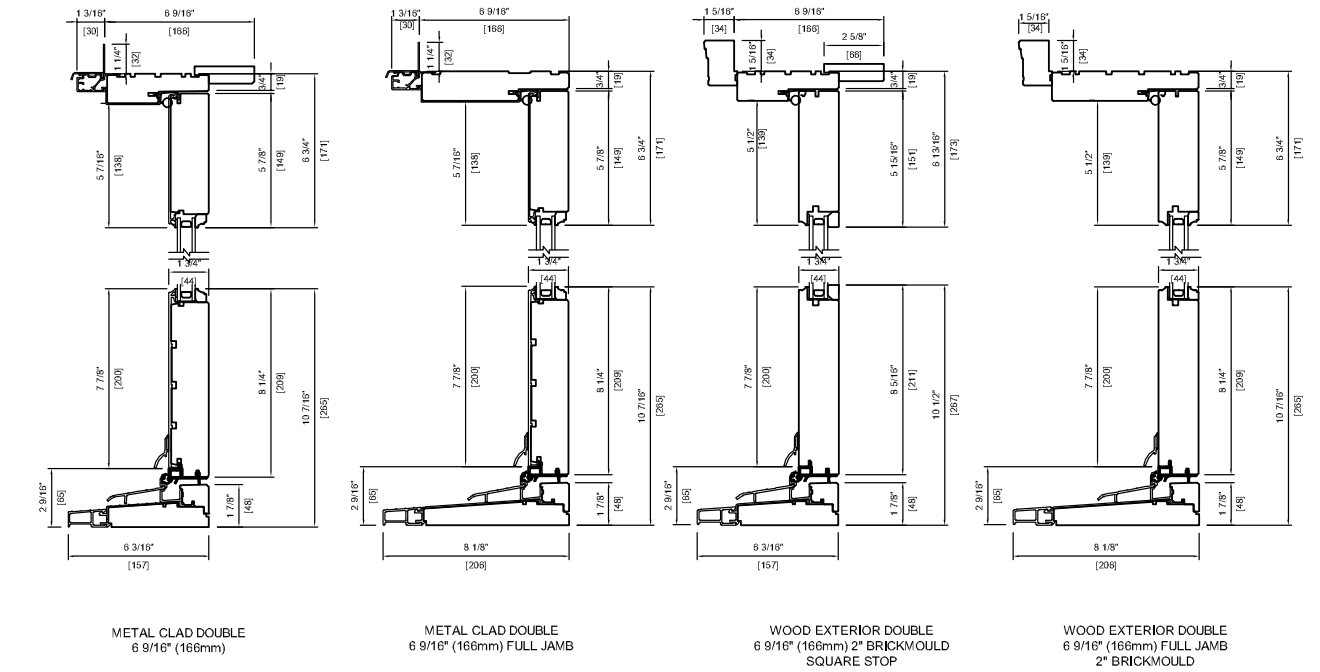
		Width									
Rough Opening Inswing with Jamb Extension <sup>1</sup>		39 1/4 [997]	43 1/4 [1099]	45 1/4 [1150]	75 1/4 [1911]	83 1/4 [2115]	87 5/16 [2217]	76 3/8 [1940]	84 7/16 [2144]	88 7/16 [2246]	
Rough Opening <sup>2</sup>		38 5/8 [981]	42 5/8 [1083]	44 5/8 [1134]	74 5/8 [1895]	82 5/8 [2099]	86 5/8 [2201]	75 3/4 [1924]	83 3/4 [2128]	87 13/16 [2230]	
Frame		37 7/8 [962]	41 7/8 [1064]	43 7/8 [1115]	73 7/8 [1876]	81 7/8 [2080]	85 7/8 [2182]	75 [1905]	83 1/16 [2109]	87 1/16 [2211]	
Panel		34 1/2 [876]	38 7/16 [976]	42 [1067]	34 1/2 [876]	38 7/16 [976]	42 [1067]	34 1/2 [876]	38 7/16 [976]	42 [1067]	
Visible Glass		24 1/4 [616]	28 1/4 [718]	30 1/4 [769]	24 1/4 [616]	28 1/4 [718]	30 1/4 [769]	24 1/4 [616]	28 1/4 [718]	30 1/4 [769]	
Height	124 5/16 [3157]	124 [3150]	123 7/16 [3135]	120 3/8 [3057]	106 1/4 [2699]	TD1 0932	TD1 1032	TD1 1132			
	124 5/16 [3157]	124 [3150]	123 7/16 [3135]	120 3/8 [3057]	106 1/4 [2699]				TD2 1832	TD2 2032	TD2 2232
	124 5/16 [3157]	124 [3150]	123 7/16 [3135]	120 3/8 [3057]	106 1/4 [2699]					FD2 1832	FD2 2032
		<b>Product Code</b>									

Glass Size = Visible Glass + 15/16" (24 mm)

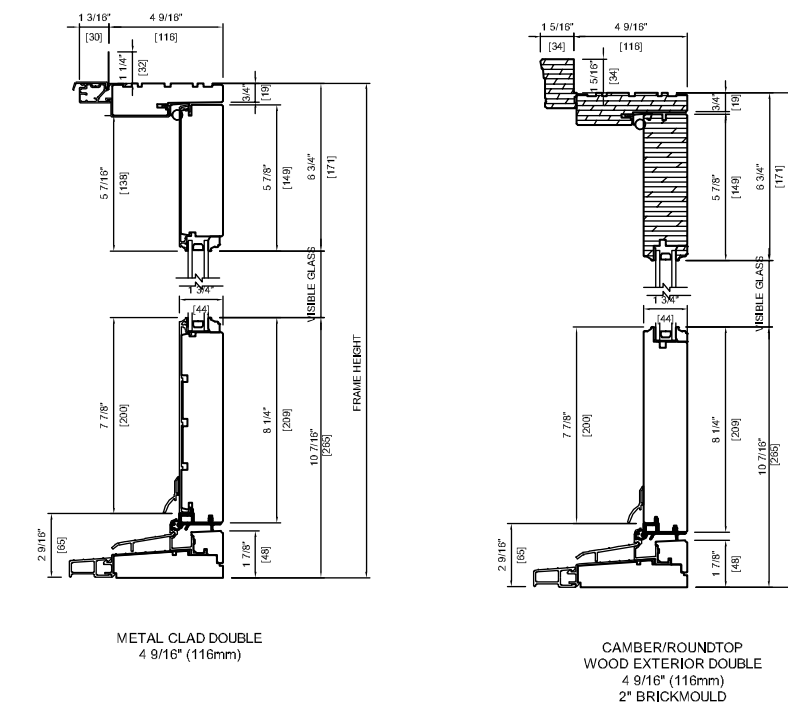


# 10' Inswing Terrace/French Terrace Door Detail

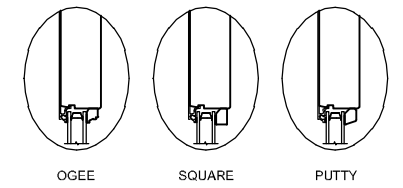
## Head & Sill Detail



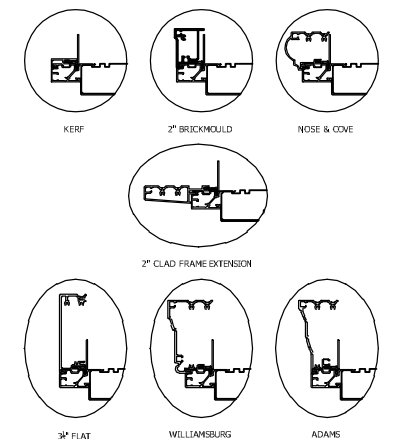
## Head & Sill Detail



## Glazing Stop Profiles



## Casing



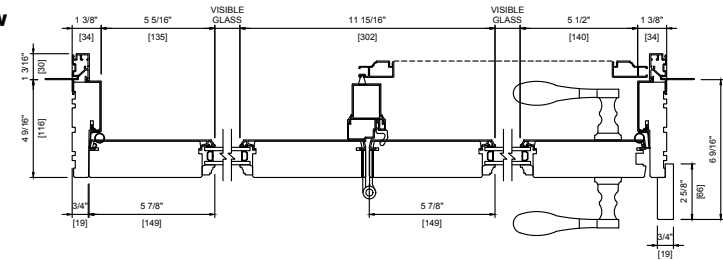
Standard sizes shown. Additional sizes may be available. Custom sizes can be ordered.

- Note:
- SDL/Grille patterns are dependent on SDL/Grille type and window size. Please verify SDL/Grille patterns before confirming your order.
  - 1 Inswing doors with jamb extensions (other than 4 9/16" (116 mm) & 6 9/16" (166 mm) full jamb).
  - 2 Outswing doors (all) and inswing doors without jamb extensions (4 9/16" (116 mm) & 6 9/16" (166 mm) full jamb).

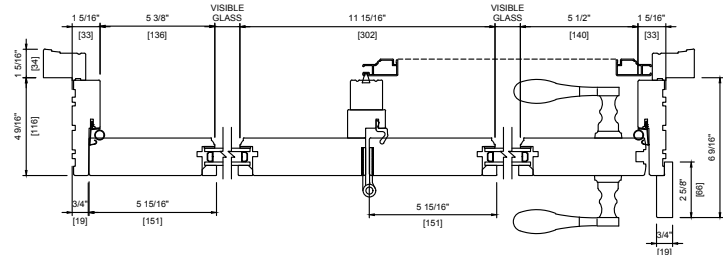
- Note:
- Other jamb widths available.
  - All dimensions to have +/- 1/16" (2mm) tolerance.

# 10' Inswing Terrace Door Detail

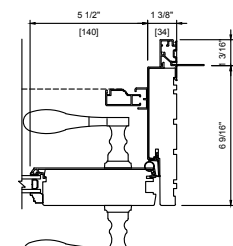
## Plan View



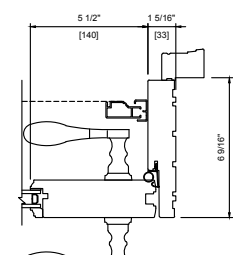
METAL CLAD DOUBLE  
TWO PANEL



WOOD EXTERIOR DOUBLE  
TWO PANEL 2\"/>



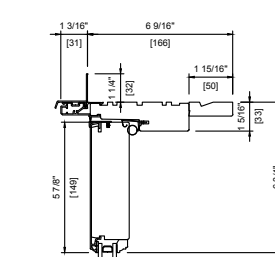
METAL CLAD DOUBLE  
6 9/16\"/>



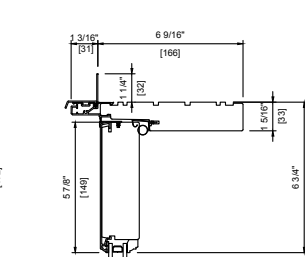
WOOD EXTERIOR DOUBLE  
6 9/16\"/>

# 10' Outswing Terrace/French Terrace Door Detail

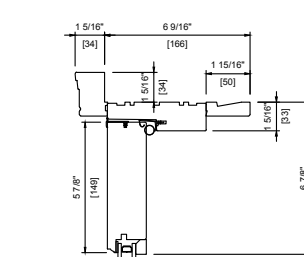
## Head & Sill Detail



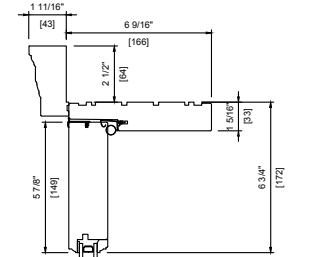
METAL CLAD DOUBLE  
6 9/16\"/>



METAL CLAD DOUBLE  
6 9/16\"/>

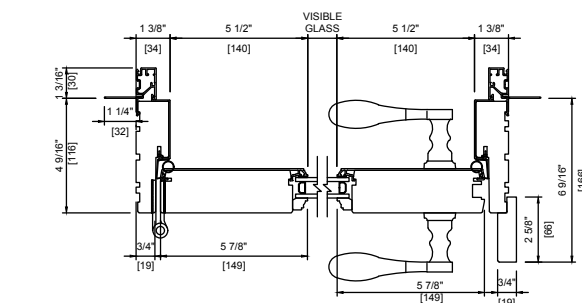


WOOD EXTERIOR DOUBLE  
6 9/16\"/>

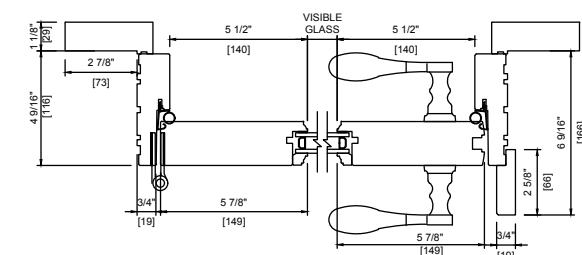


WOOD EXTERIOR DOUBLE  
6 9/16\"/>

## Plan View

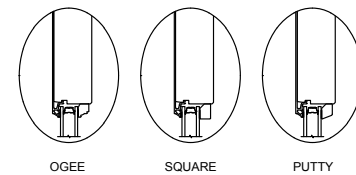


METAL CLAD DOUBLE  
ONE PANEL



NON CLAD DOUBLE  
ONE PANEL  
3 1/2\"/>

## Glazing Stop Profiles

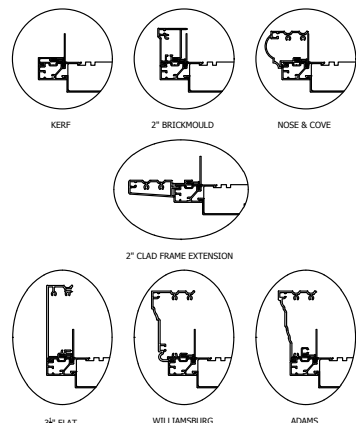


OGEE

SQUARE

PUTTY

## Casing



KERF

2\"/>

NOSE & COVE

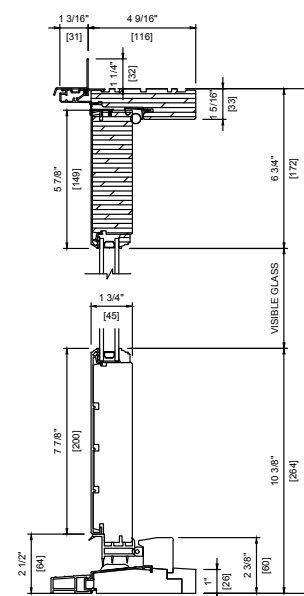
2\"/>

3\"/>

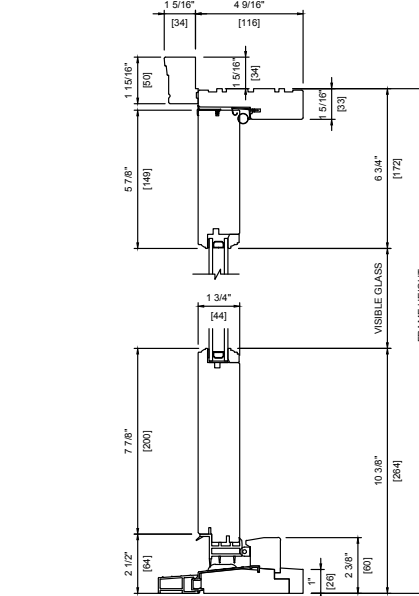
WILLIAMSBURG

ADAMS

## Head & Sill Detail

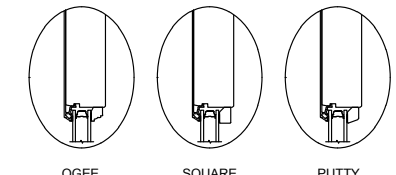


CAMBERTOP  
METAL CLAD DOUBLE  
4 9/16\"/>



WOOD EXTERIOR DOUBLE  
4 9/16\"/>

## Glazing Stop Profiles

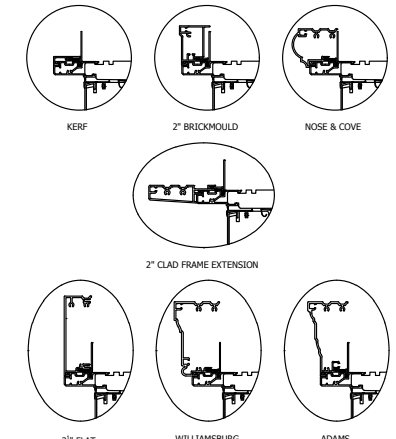


OGEE

SQUARE

PUTTY

## Casing



KERF

2\"/>

NOSE & COVE

2\"/>

3\"/>

WILLIAMSBURG

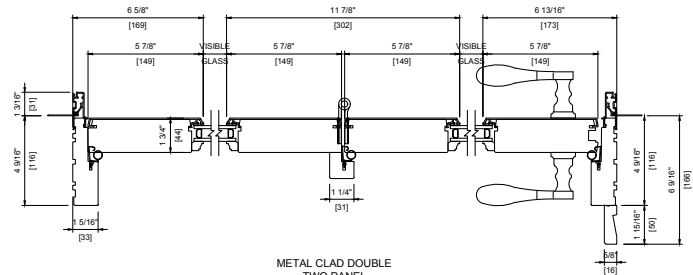
ADAMS

Note: • Other jamb widths available.  
• All dimensions to have +/- 1/16" (2mm) tolerance.

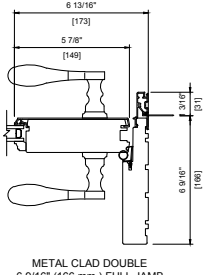
Note: • Other jamb widths available.  
• All dimensions to have +/- 1/16" (2mm) tolerance.

# 10' Outswing Terrace Door Detail

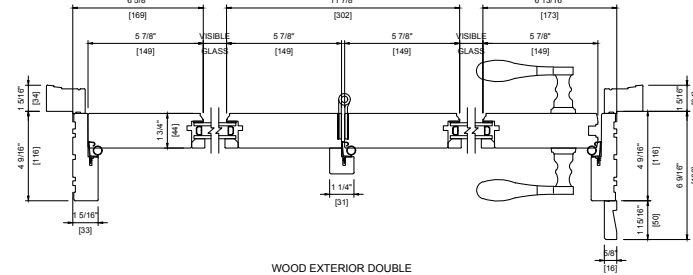
## Plan View



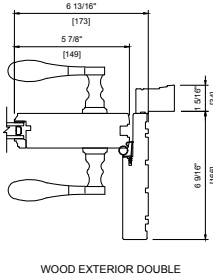
METAL CLAD DOUBLE TWO PANEL



METAL CLAD DOUBLE 6 9/16\"/>



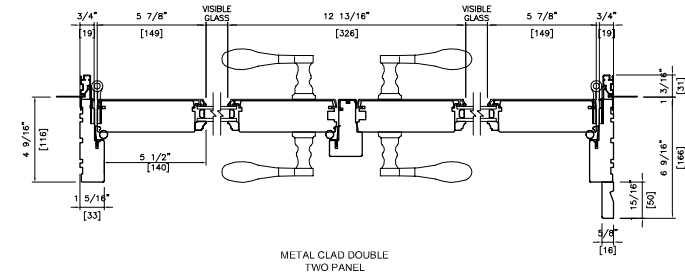
WOOD EXTERIOR DOUBLE TWO PANEL 2\"/>



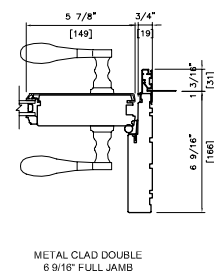
WOOD EXTERIOR DOUBLE 6 9/16\"/>

# 10' Outswing & Inswing Terrace/French Terrace Door Detail

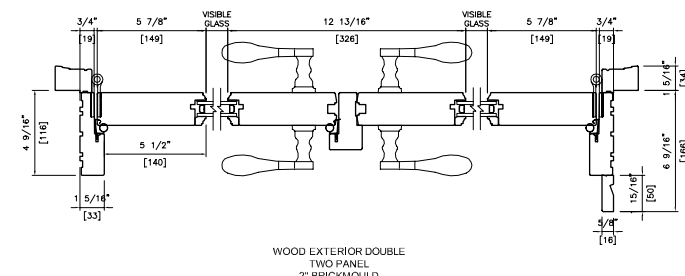
## Plan View Outswing



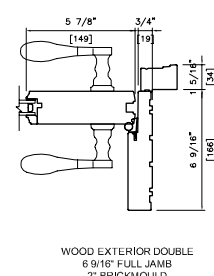
METAL CLAD DOUBLE TWO PANEL



METAL CLAD DOUBLE 6 9/16\"/>

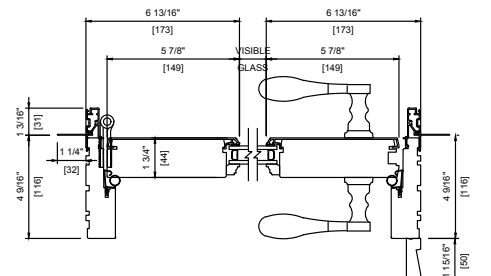


WOOD EXTERIOR DOUBLE TWO PANEL 2\"/>

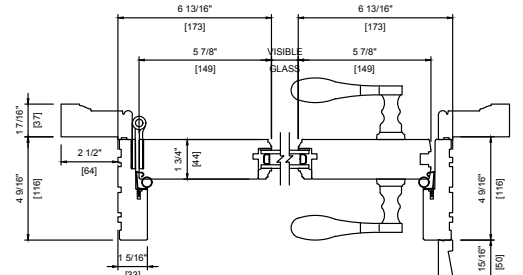


WOOD EXTERIOR DOUBLE 6 9/16\"/>

## Plan View

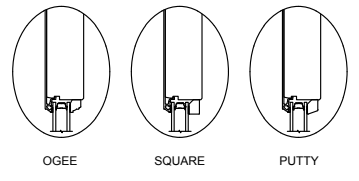


METAL CLAD DOUBLE ONE PANEL

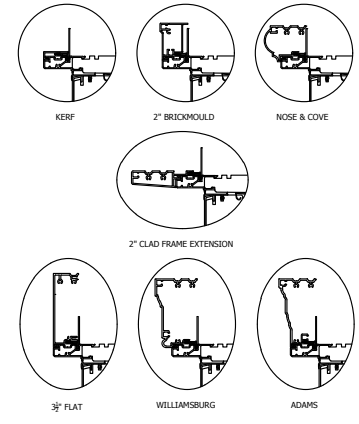


WOOD EXTERIOR DOUBLE ONE PANEL WILLIAMSBURG CASING

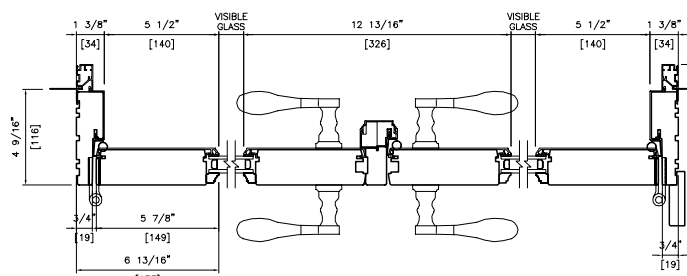
## Glazing Stop Profiles



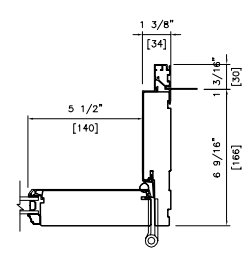
## Casing



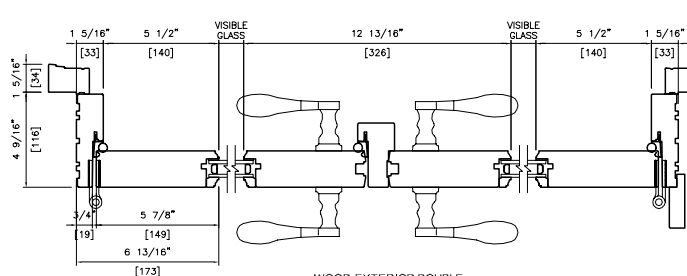
## Plan View Inswing



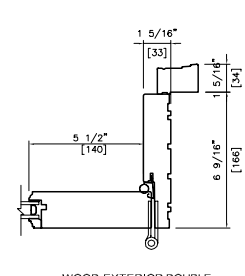
METAL CLAD DOUBLE TWO PANEL



METAL CLAD DOUBLE 6 9/16\"/>



WOOD EXTERIOR DOUBLE TWO PANEL 2\"/>



WOOD EXTERIOR DOUBLE 6 9/16\"/>

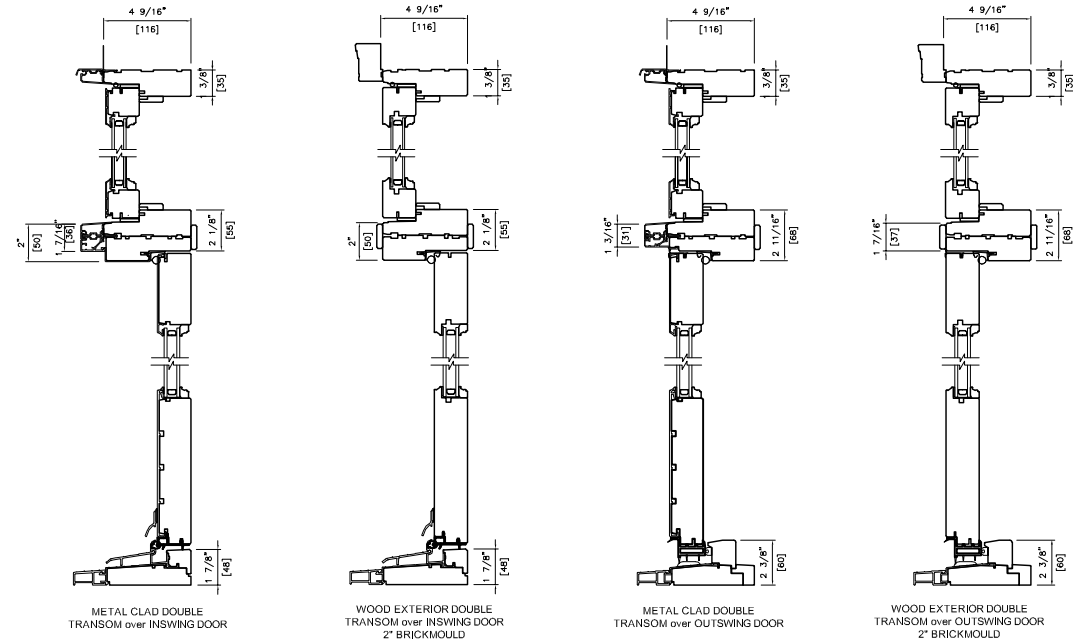
Note: • Other jamb widths available.  
• All dimensions to have +/- 1/16\"/>

Note: • Other jamb widths available.  
• All dimensions to have +/- 1/16\"/>



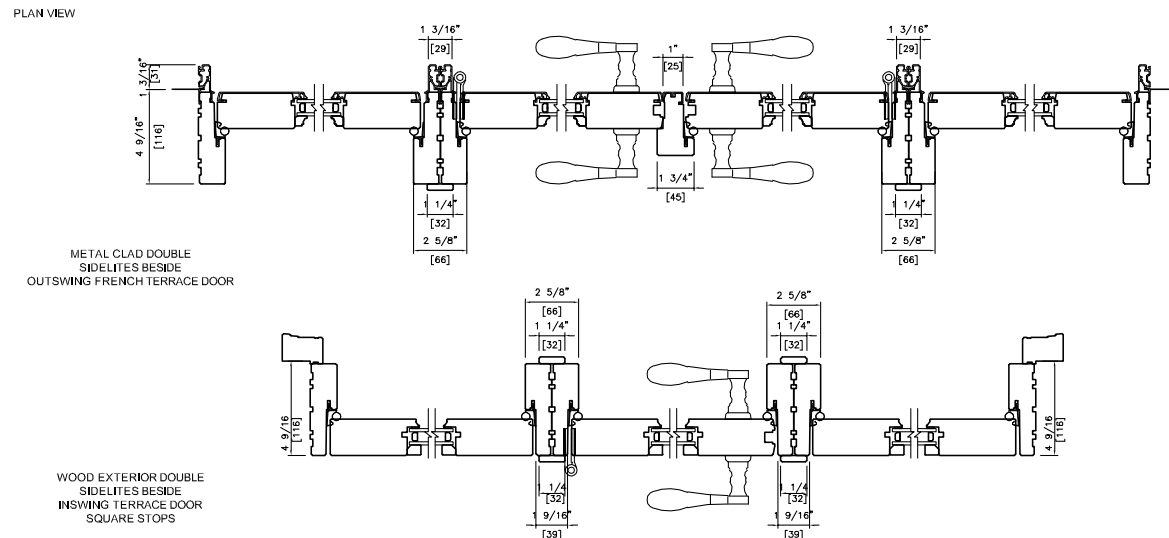
## Terrace/French Terrace Door & Transom Mull Detail

### Head & Sill Detail



## Terrace/French Terrace Door & Sidelite Mull Detail

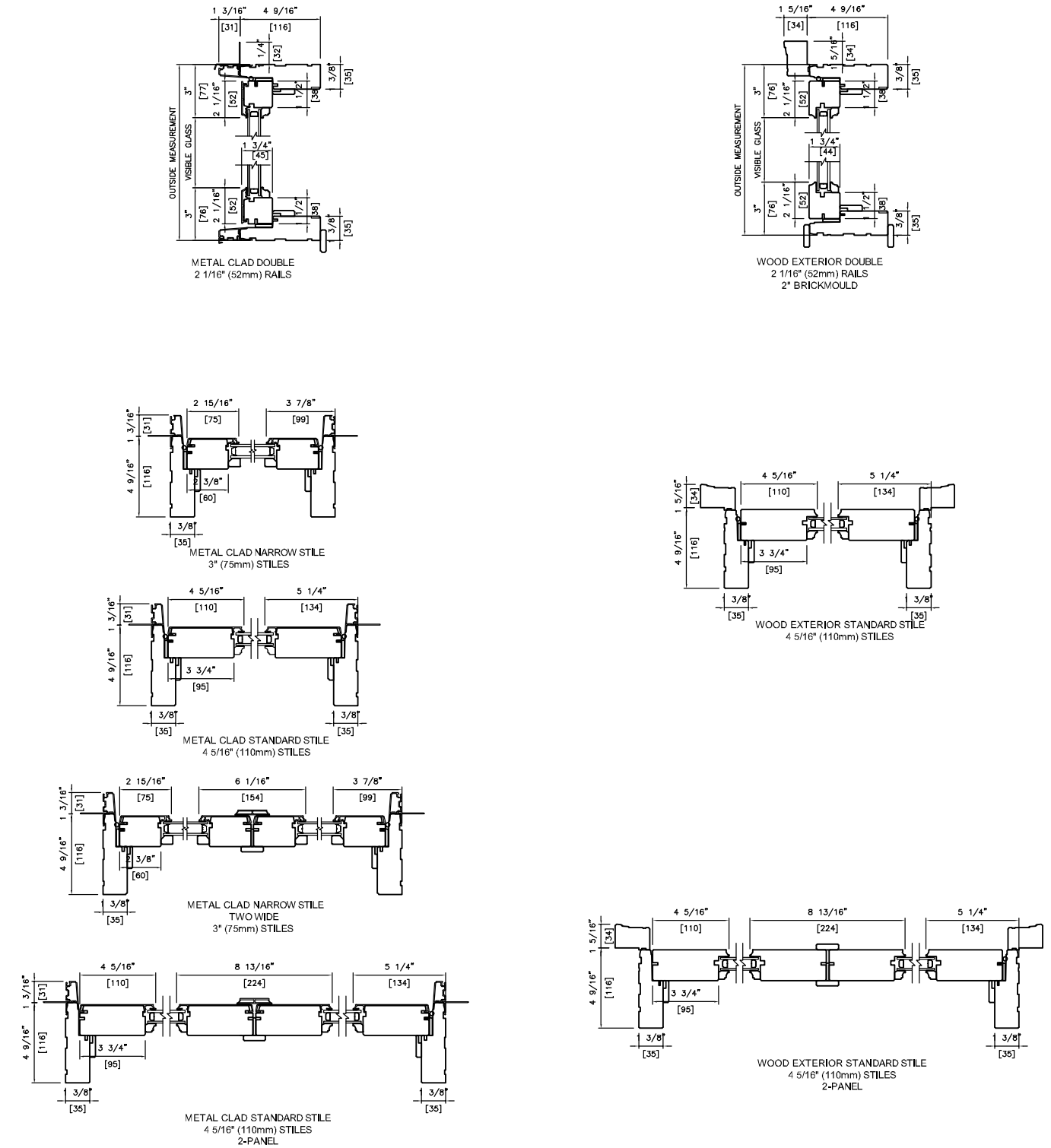
### Plan View



Note: • Other jamb widths available.  
• All dimensions to have +/- 1/16" (2mm) tolerance.

## Terrace/French Terrace Door Transom Rail Detail

### Head & Sill Detail



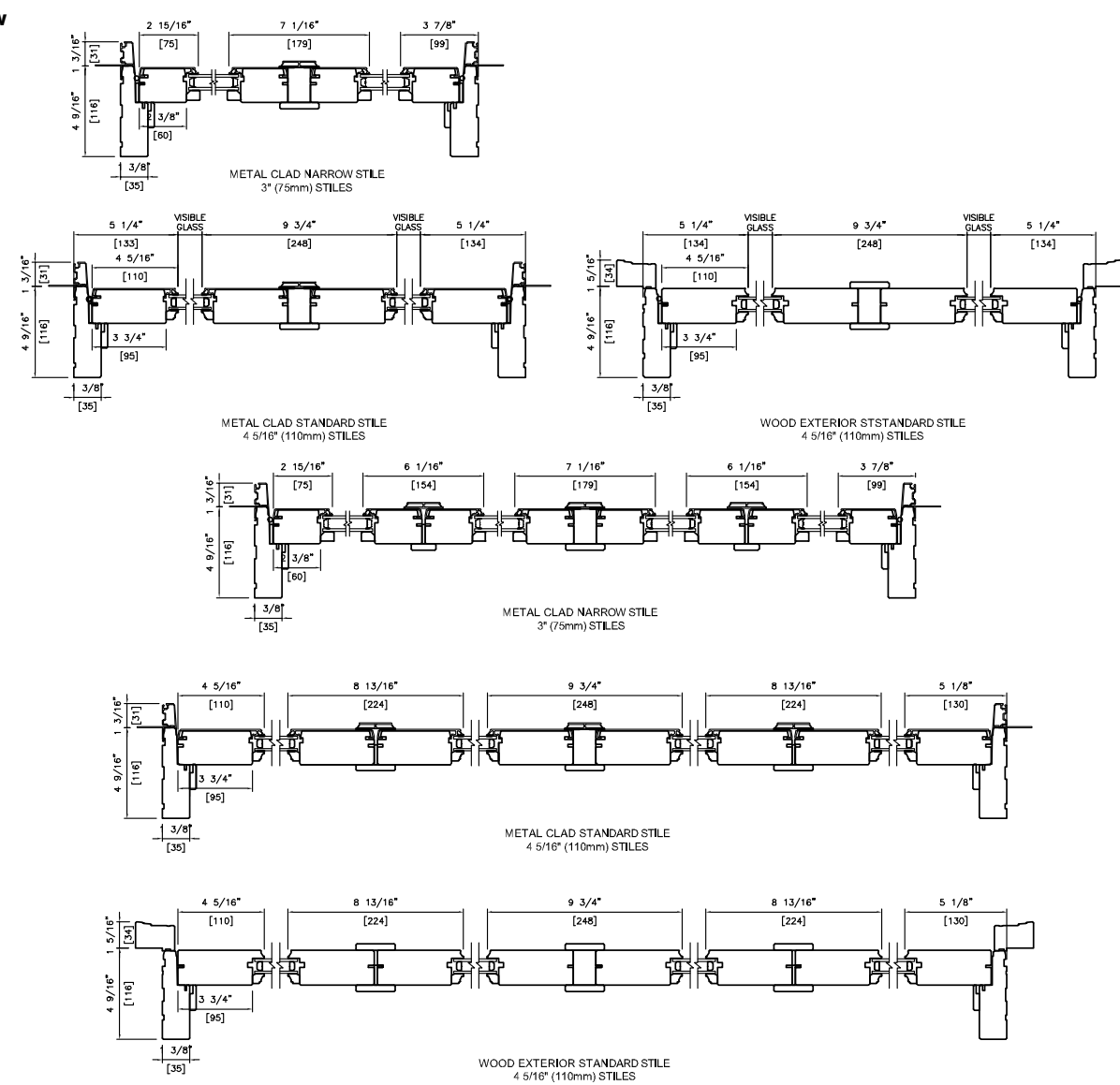
Note: • Other jamb widths available.  
• All dimensions to have +/- 1/16" (2mm) tolerance.

## Terrace/French Terrace Door & Transom Mull Detail

### Head & Sill Detail



### Plan View

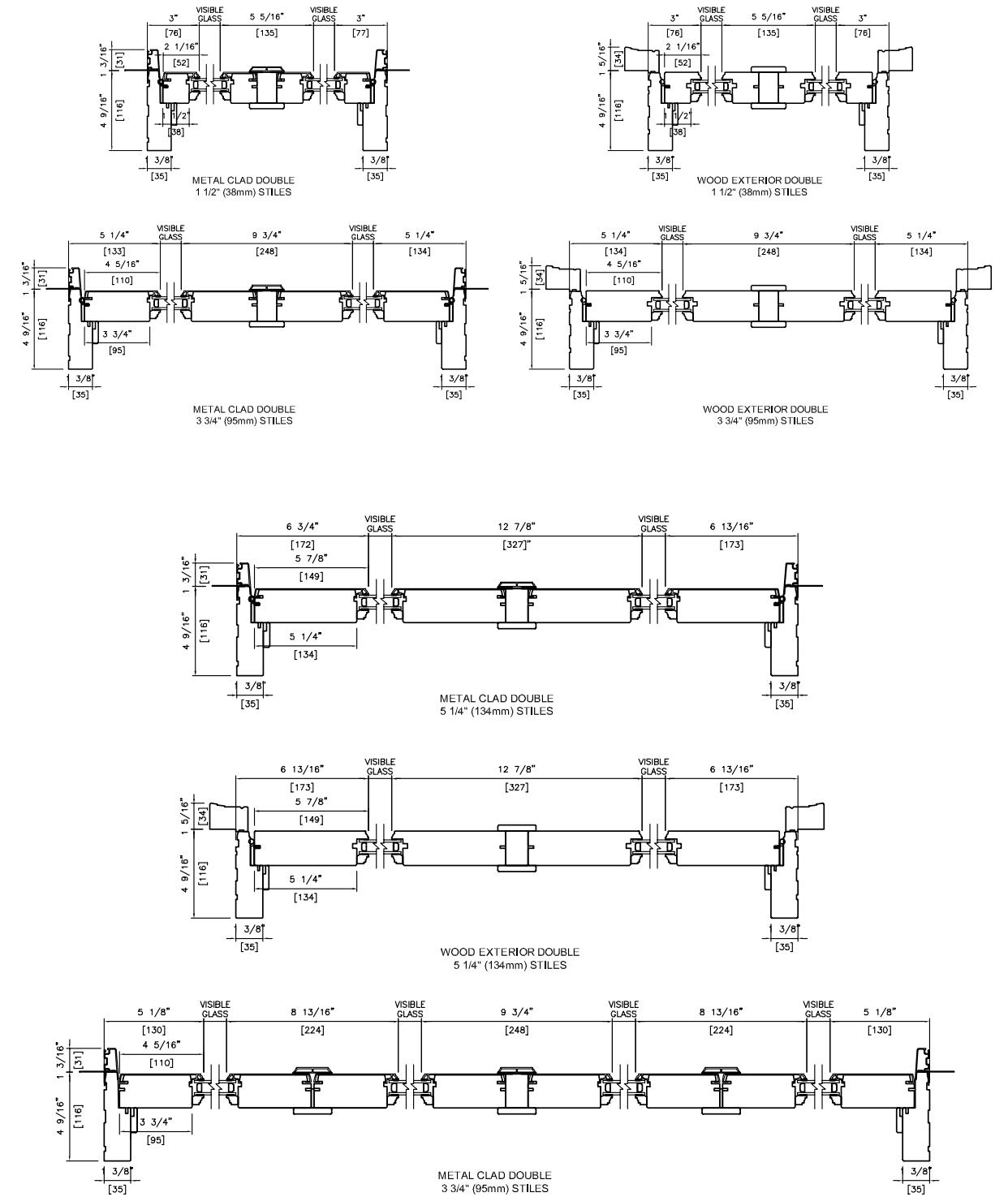


**Note:**

- Other jamb widths available.
- All dimensions to have +/- 1/16" (2mm) tolerance.

## Terrace/French Terrace Door Transom Rail Detail

### Plan View



**Note:**

- Other jamb widths available.
- All dimensions to have +/- 1/16" (2mm) tolerance.

