

Technical Guide C

Awning Windows



Product Features

Styles

Traditional, Push Out and Mission® options.

Standard Features

- Natural, clear Douglas Fir interior (no visible finger joints)
- 4 9/16" (116 mm) jamb construction
- LowE insulated glazing with 1/2" (13 mm) airspace
- Roto gear operator and concealed sash locks
- Extruded aluminum cladding in a variety of standard colors, primed wood or clear fir exterior
- Flexible continuous weatherstrip system
- Insect screens
- Metal handle, cover and locks

Hardware

Multiple hardware type and finish choices are available. See the Hardware in section A for more information.

Glazing

LowE Double, LowE Triple and StormForce™. StormForce is not available on all products.

Simulated Divided Lites (SDL)

Ogee Profile – 3/4" (19 mm), 1 1/8" (30 mm), 2" (51 mm)

Putty Profile – 5/8" (16 mm), 7/8" (22 mm), 1 1/8" (30 mm), 2" (51 mm)

Square Profile (interior only) – 3/4" (19 mm), 7/8" (22 mm), 1 1/8" (30 mm), 2" (51 mm)

Casing

Wood: 2" (51 mm) Brickmould, 3 1/2" (89 mm) Flat, 5 1/2" (139 mm) Flat, Adams and Williamsburg.

Metal Clad: 2" (51 mm) Brickmould, 3 1/2" (89 mm) Flat, 2" clad frame extension, Nose & Cove, Adams, Williamsburg and Kerf.

Metal Clad Color Spectrum

All Palette colors, including anodized finishes. Available in Cyprium Collection.



Awning



Push Out Awning

	Awning	Push Out Awning
HARDWARE STYLES		
Folding Crank Handle	●	
Push Out Handle		●
Multipoint Lock	●	○
Electric Operator	○	

● Standard ○ Optional

Finish Options: Refer to Section A.

	Awning	Push Out Awning
VARIABLES		
Function		
Use for Egress		●
Available with Screen	●	●
Concealed Hardware	●	
Durability		
Low Maintenance Metal Clad Exterior	●	●
Clear Douglas Fir Exterior Finish	○	○
Clear Mahogany Exterior Finish	○	○
Primed Exterior Finish	○	○
Cyprium Collection	○	○
Performance		
LowE Double	●	●
LowE Triple	○	○
StormForce™	○	●
Appearance		
SDL	○	○

Specifications

Standards

Most units have been tested by an independent laboratory for air and water infiltration, structural performance, and thermal performance requirements.

Frame & Sash

Manufactured from Coastal Douglas Fir kiln-dried lumber with frame construction designed for 4 9/16" (116 mm) jamb. All wood exterior components are factory primed unless specified as clear exterior. Minor scratches or abrasions in the wood surface or primer are not considered defects.

Alternate Species

The entire Loewen product line is also available in optional Mahogany.

Preservative Treated

All wood parts are dipped in approved preservative.

Glazing

With countless glazing configurations and LowE coating options, we ensure that you can choose the perfect blend of protection and comfort.

Insulating Glass

Double or triple glass configurations with 1/2" (13 mm) airspace.

LowE Systems

LowE best describes the benefits of the product that incorporates glazing coatings and Argon gas. LowE systems help reduce heating and cooling costs, providing superior energy efficiency.

Simulated Divided Lites (SDL)

Standard SDL complete with airspace grilles, where available. Grille bars are permanently applied to the interior and exterior.

Hardware Option

Operator and sash locks are available in a variety of finishes. See section A.

Metal Cladding

Heavy duty exterior metal cladding comprised of extruded aluminum is available in a variety of Palette colors, including anodized and Cyprium (copper and bronze cladding). Interior of window can be natural wood (unfinished) or primed. Metal clad units are supplied ready-to-install complete with integral metal nailing flange.

Hardware

Standard awning operator detaches at the sash allowing it to open out to 90 degrees for ease of cleaning. The roto gear operator will hold the sash at any position in its operating radius. The sash is supported by concealed heavy-duty hinges. All awning units are supplied with dual sash locks for added security and tighter seal. All steel components are coated for superior corrosion protection.

Double Weatherstrip

The combination of a continuous, flexible foam weatherstrip and a flexible automotive type bulb weatherstrip ensures maximum energy efficiency and protection against air and water infiltration.

Screen

Screens available in bronze, linen, Tuscany brown, brushed aluminum or black aluminum frame, screened with anti-glare fiberglass cloth. Wood-framed screens and High Transparency mesh available. Optional Retractable Screen and Swinging Screen available. Swinging Screen available on Push Out models only.

Egress

Consult local building codes for confirmation of size requirements for your area. Special egress hardware is available for Casement windows, which enables some sizes to meet egress codes, eliminating the need to go to the next larger size window. Consult your Authorized Loewen Dealer for more details.

Visit the Loewen Photo Gallery online at www.loewen.com for a large collection of Loewen product and elevation photography. Numerous custom window configuration opportunities exist – please contact your Authorized Loewen Dealer. Specifications and technical information are subject to change without notice. Imperial and metric measurements are converted accurately. However, in some cases, industry standards cause a 1 mm variance. (Example: 3/4" is shown as 19 mm for all glass measurements.) Cad Download: www.loewen.com/architect | Installation Instructions: www.loewen.com

Awning 1 Wide Window Sizes

Width

Rough Opening	Width																
	Wood Exterior	Metal Clad	Frame	Visible Glass	20	24	28	30	32	36	40	42	48	55	59	63	71
					7/16	3/8	5/16	1/4	1/4	3/16	1/8	[1067]	[1219]	7/8	13/16	3/4	5/8
17 3/16	16 1/2	15 3/4	9 1/2	AW1	AW1	AW1	AW1	AW1	AW1	AW1	AW1	AW1	AW1	AW1	AW1	AW1	AW1
21 1/8	20	19	13	AW1	AW1	AW1	AW1	AW1	AW1	AW1	AW1	AW1	AW1	AW1	AW1	AW1	AW1
25 1/16	24 3/8	23 5/8	17 3/8	AW1	AW1	AW1	AW1	AW1	AW1	AW1	AW1	AW1	AW1	AW1	AW1	AW1	AW1
29	28	27	21	AW1	AW1	AW1	AW1	AW1	AW1	AW1	AW1	AW1	AW1	AW1	AW1	AW1*	AW1*
30	30 1/4	29 1/2	23	AW1	AW1	AW1	AW1	AW1	AW1	AW1	AW1	AW1	AW1	AW1	AW1	AW1*	AW1*
32	32 1/4	31 1/2	25 1/4	AW1	AW1	AW1	AW1	AW1	AW1	AW1	AW1	AW1	AW1	AW1	AW1	AW1*	AW1*
36 7/8	36	35	29	AW1	AW1	AW1	AW1	AW1	AW1	AW1	AW1	AW1	AW1	AW1	AW1	AW1*	AW1*
40	40 1/8	39 3/8	33 1/8	AW1	AW1	AW1	AW1	AW1	AW1	AW1	AW1	AW1	AW1	AW1	AW1	AW1	AW1
42	42	41 1/4	35	AW1	AW1	AW1	AW1	AW1	AW1	AW1	AW1	AW1	AW1	AW1	AW1	AW1	AW1
48	48	47 1/4	41	AW1	AW1	AW1	AW1	AW1	AW1	AW1	AW1	AW1	AW1	AW1	AW1	AW1*	AW1*
56 9/16	55 7/8	55 1/8	48 7/8	AW1*	AW1*	AW1*	AW1*	AW1*	AW1*	AW1*	AW1*	AW1*	AW1*	AW1*	AW1*	AW1*	AW1*
60 1/2	59	59	52	AW1*	AW1*	AW1*	AW1*	AW1*	AW1*	AW1*	AW1*	AW1*	AW1*	AW1*	AW1*	AW1*	AW1*
64 7/16	63 3/4	63	56 3/4	AW1*	AW1*	AW1*	AW1*	AW1*	AW1*	AW1*	AW1*	AW1*	AW1*	AW1*	AW1*	AW1*	AW1*
75 5/16	71 5/8	70 7/8	64 5/8	AW1*	AW1*	AW1*	AW1*	AW1*	AW1*	AW1*	AW1*	AW1*	AW1*	AW1*	AW1*	AW1*	AW1*

Product Code

Glass Size = Visible Glass + 15/16" (24 mm)

Standard sizes Shown. Additional sizes may be available. Custom sizes can be ordered.

- Note:**
- Available with Mission sash. For a unit with a Mission sash, subtract 13/16" (21 mm) from the vertical visible glass measurement.
 - SDL/Grille patterns are dependent on SDL/Grille type and window size. Please verify SDL/Grille patterns before confirming your order.
 - Available with Push Out hardware.
 - For Masonry opening information see page A24-A29.
 - Sizes are shown as double glazing, not all sizes may be available in triple glazing.
 - Egress calculations are based on the unit being opened at 70° for washability hinge, 80° for egress hinge, and having minimum clear openings of:
 - Meets US Egress: 20" in width, 24" in height, with a total egress area of 5.7 Sq Ft (Push Out Only)
 - Meets Canadian Egress: 15" in width, 15" in height, with a total egress area of 3.8 Sq Ft
 - Please check your local building codes for any variation in Egress Standards from those stated above. For egress information, contact your Authorized Loewen Dealer.

Awning 2 Wide Window Sizes

Width

Rough Opening	Width																							
	Wood Exterior	Metal Clad	Frame	Visible Glass	40	48	55	59	63	71	79	83	95	111	118	126	142							
					1/8	[1219]	7/8	13/16	3/4	5/8	1/2	1/4	2/3	1/2	1/8	3/4	1/2	1/2	1/2	1/2	1/2			
17 3/16	16 1/2	15 3/4	9 1/2	AW2	AW2	AW2	AW2	AW2	AW2	AW2	AW2	AW2	AW2	AW2	AW2	AW2	AW2							
21 1/8	20 7/16	19	13 7/16	AW2	AW2	AW2	AW2	AW2	AW2	AW2	AW2	AW2	AW2	AW2	AW2	AW2	AW2							
25 1/16	24 3/8	23 5/8	17 3/8	AW2	AW2	AW2	AW2	AW2	AW2	AW2	AW2	AW2	AW2	AW2	AW2	AW2	AW2							
29	28 5/16	27 9/16	21 5/16	AW2	AW2	AW2	AW2	AW2	AW2	AW2	AW2	AW2	AW2	AW2	AW2	AW2	AW2							
30	30 1/4	29 1/2	23 5/16	AW2	AW2	AW2	AW2	AW2	AW2	AW2	AW2	AW2	AW2	AW2	AW2	AW2	AW2							
32	32 1/4	31 1/2	25 1/4	AW2	AW2	AW2	AW2	AW2	AW2	AW2	AW2	AW2	AW2	AW2	AW2	AW2	AW2							
36 7/8	36 3/16	35 7/16	29 3/16	AW2	AW2	AW2	AW2	AW2	AW2	AW2	AW2	AW2	AW2	AW2	AW2	AW2	AW2							
40	40 1/8	39 3/8	33 1/8	AW2	AW2	AW2	AW2	AW2	AW2	AW2	AW2	AW2	AW2	AW2	AW2	AW2	AW2							
42	42	41 1/4	35 1/16	AW2	AW2	AW2	AW2	AW2	AW2	AW2	AW2	AW2	AW2	AW2	AW2	AW2	AW2							
48	48	47 1/4	41	AW2	AW2	AW2	AW2	AW2	AW2	AW2	AW2	AW2	AW2	AW2	AW2	AW2	AW2							
56 9/16	55 7/8	55 1/8	48 7/8	AW2*	AW2*	AW2*	AW2*	AW2*	AW2*	AW2*	AW2*	AW2*	AW2*	AW2*	AW2*	AW2*	AW2*							
60 1/2	59	59	52	AW2*	AW2*	AW2*	AW2*	AW2*	AW2*	AW2*	AW2*	AW2*	AW2*	AW2*	AW2*	AW2*	AW2*							
64 7/16	63 3/4	63	56 3/4	AW2*	AW2*	AW2*	AW2*	AW2*	AW2*	AW2*	AW2*	AW2*	AW2*	AW2*	AW2*	AW2*	AW2*							
72 5/16	71 5/8	70 7/8	64 5/8	AW2*	AW2*	AW2*	AW2*	AW2*	AW2*	AW2*	AW2*	AW2*	AW2*	AW2*	AW2*	AW2*	AW2*							

Product Code

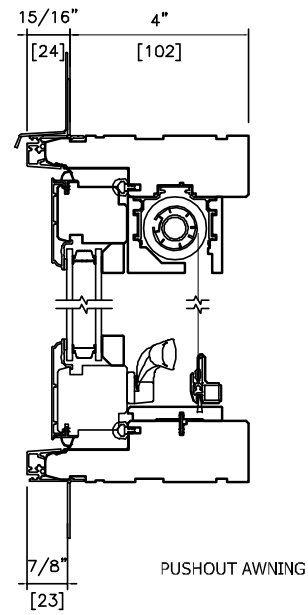
Glass Size = Visible Glass + 15/16" (24 mm)

Standard sizes Shown. Additional sizes may be available. Custom sizes can be ordered.

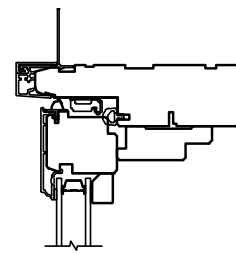
- Note:**
- Available with Mission sash. For a unit with a Mission sash, subtract 13/16" (21 mm) from the vertical visible glass measurement.
 - SDL/Grille patterns are dependent on SDL/Grille type and window size. Please verify SDL/Grille patterns before confirming your order.
 - Available with Push Out hardware.
 - For Masonry opening information see page A24-A29.
 - Sizes are shown as double glazing, not all sizes may be available in triple glazing.
 - Egress calculations are based on the unit being opened at 70° for washability hinge, 80° for egress hinge, and having minimum clear openings of:
 - Meets US Egress: 20" in width, 24" in height, with a total egress area of 5.7 Sq Ft (Push Out Only)
 - Meets Canadian Egress: 15" in width, 15" in height, with a total egress area of 3.8 Sq Ft
 - Please check your local building codes for any variation in Egress Standards from those stated above. For egress information, contact your Authorized Loewen Dealer.

Contemporary Frame Cladding Detail

Head & Sill Detail



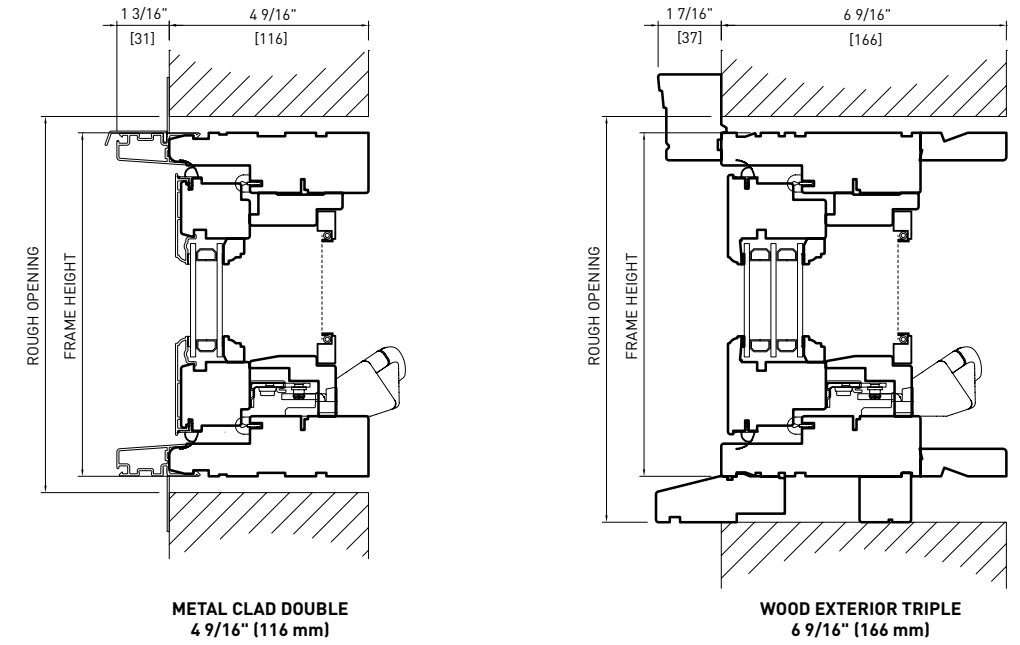
Casing



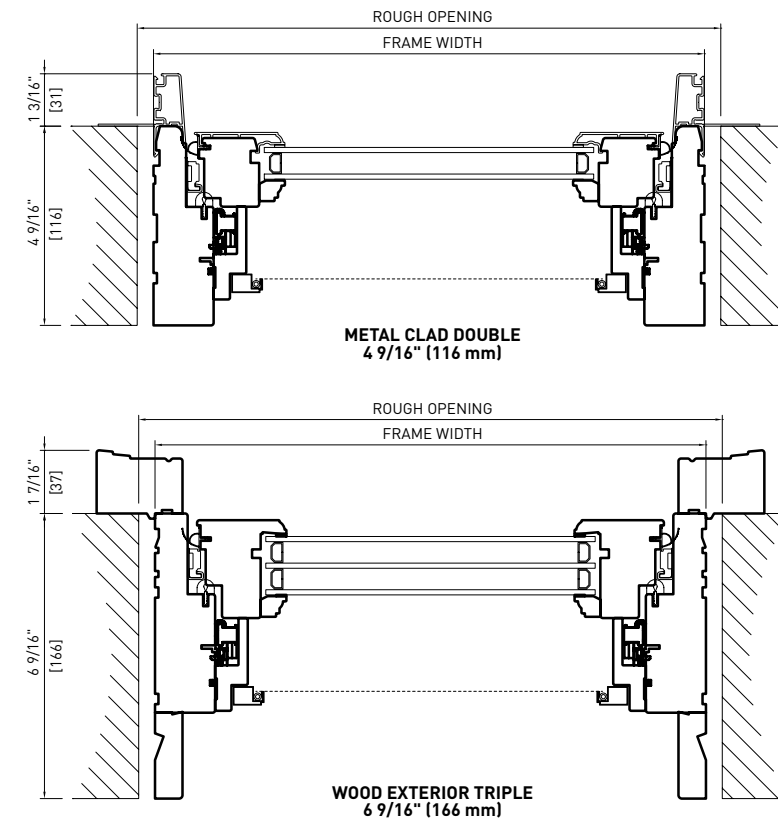
AWNING/CASEMENT

Awning Window Wall Connection Detail

Head & Sill Detail



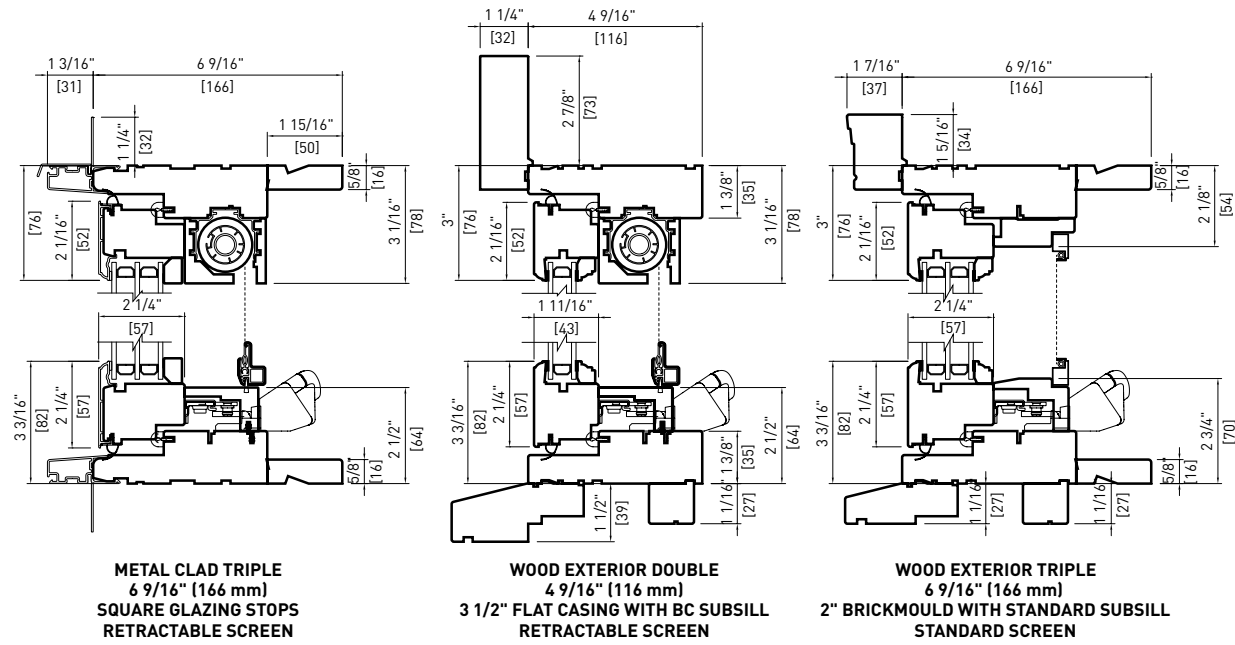
Plan View



Note: • Other jamb widths available.
• All dimensions to have +/- 1/16" (2mm) tolerance.

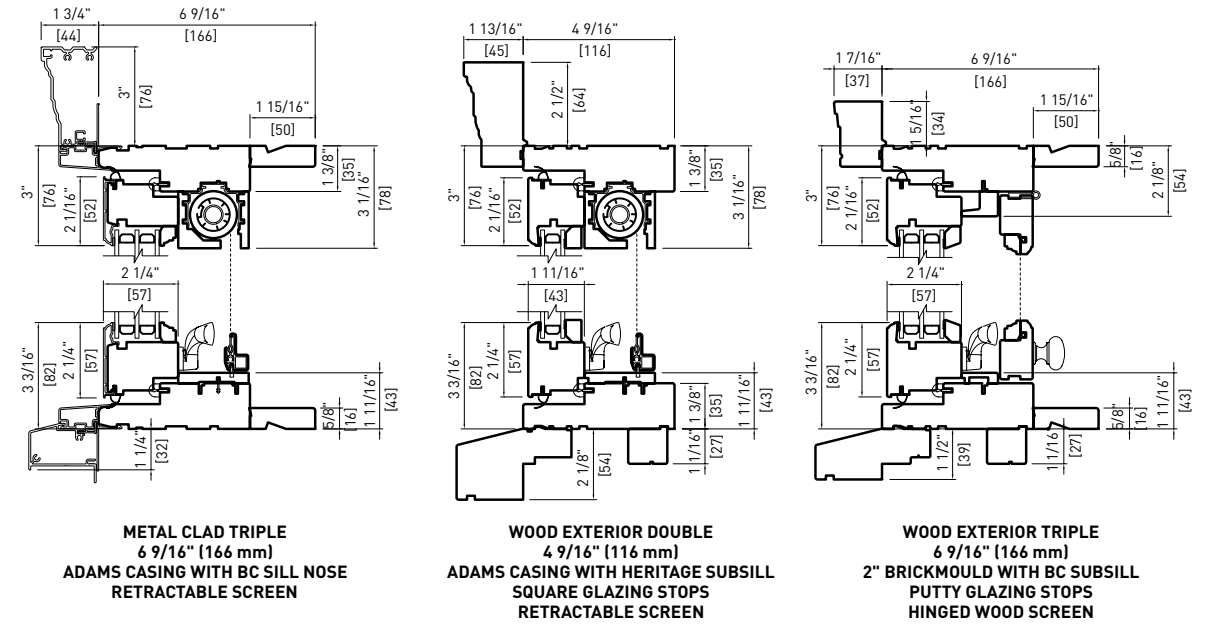
Awning Window Detail

Head & Sill Detail

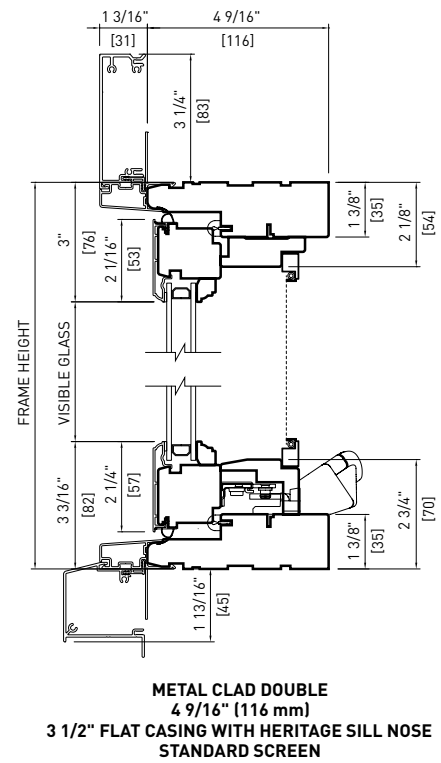


Push Out Awning Window Detail

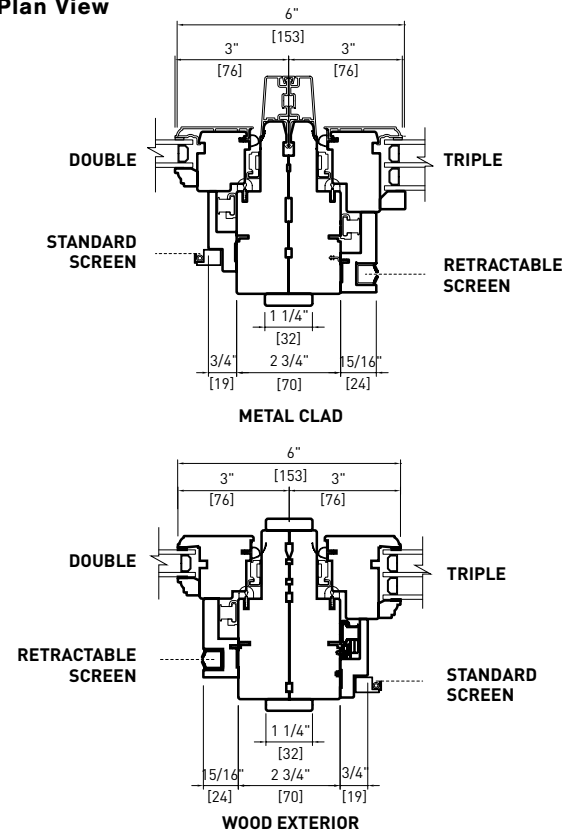
Head & Sill Detail



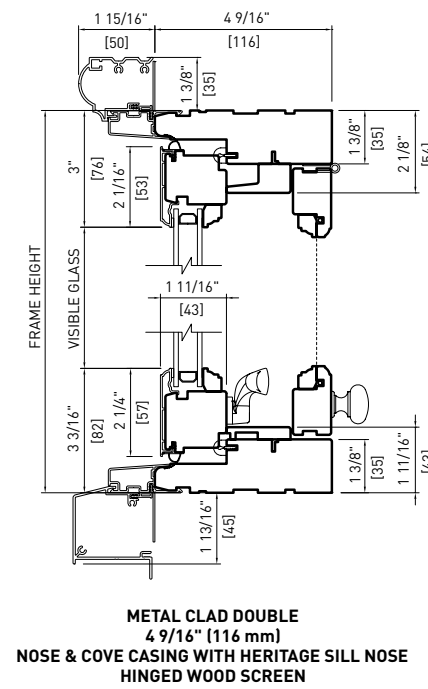
Head & Sill Detail



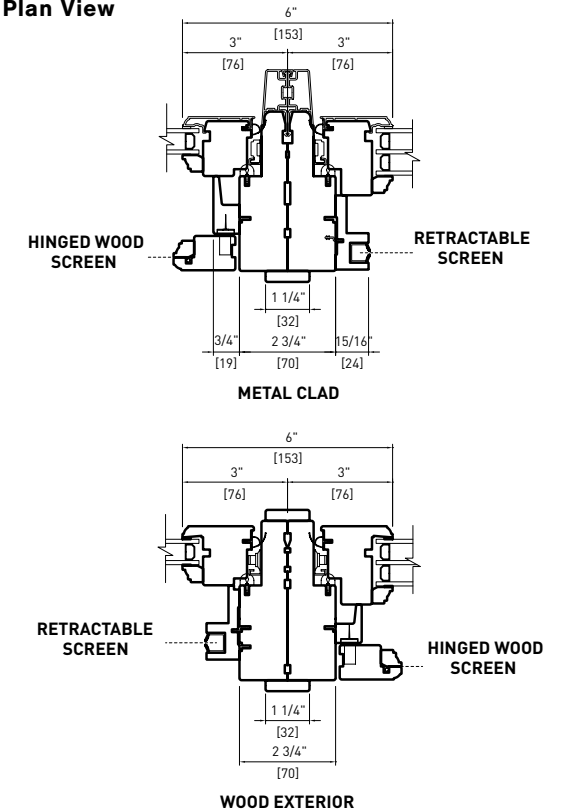
Plan View



Head & Sill Detail



Plan View

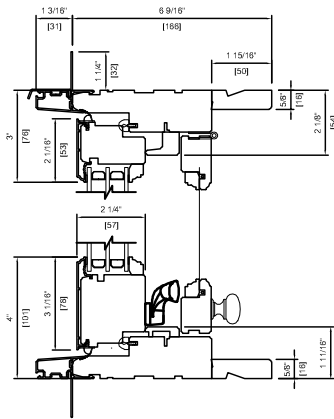


Note: • Other jamb widths available.
• All dimensions to have +/- 1/16" (2mm) tolerance.

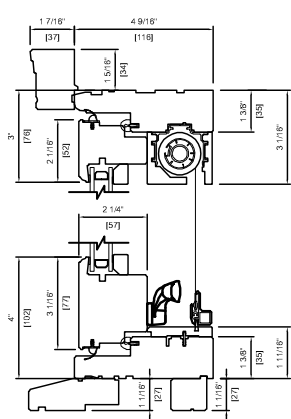
Note: • Other jamb widths available.
• All dimensions to have +/- 1/16" (2mm) tolerance.

Mission Awning Window Detail

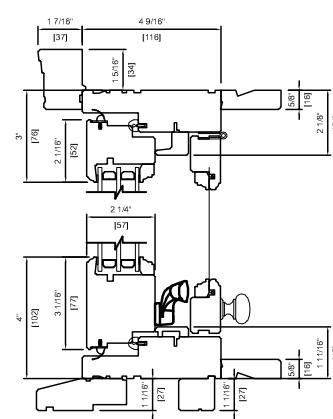
Head & Sill Detail



METAL CLAD TRIPLE
6 9/16" (166mm)
HINGED WOOD SCREEN



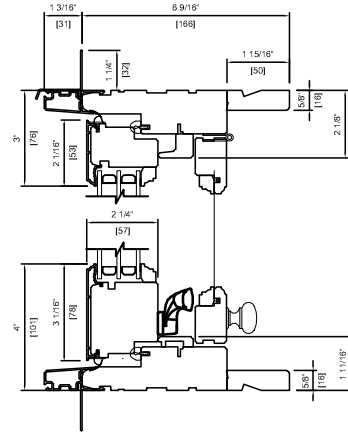
NON CLAD DOUBLE
4 9/16" (116mm)
SQUARE GLAZING STOPS
RETRACTABLE SCREEN
2" BRICKMOULD STANDARD SUBSILL



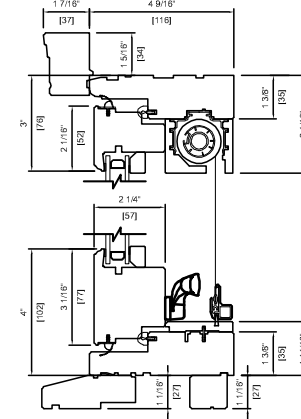
NON CLAD TRIPLE
6 9/16" (166mm)
HINGED WOOD SCREEN
2" BRICKMOULD STANDARD SUBSILL

Push Out Mission Awning Window Detail

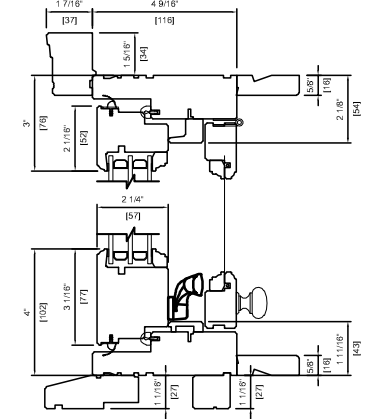
Head & Sill Detail



METAL CLAD TRIPLE
6 9/16" (166mm)
HINGED WOOD SCREEN

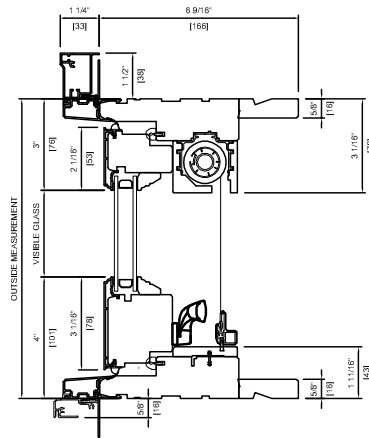


NON CLAD DOUBLE
4 9/16" (116mm)
SQUARE GLAZING STOPS
RETRACTABLE SCREEN
2" BRICKMOULD STANDARD SUBSILL



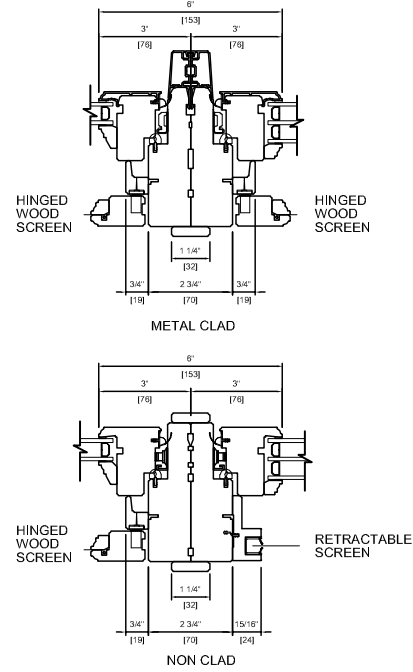
NON CLAD TRIPLE
6 9/16" (166mm)
HINGED WOOD SCREEN
2" BRICKMOULD STANDARD SUBSILL

Head & Sill Detail

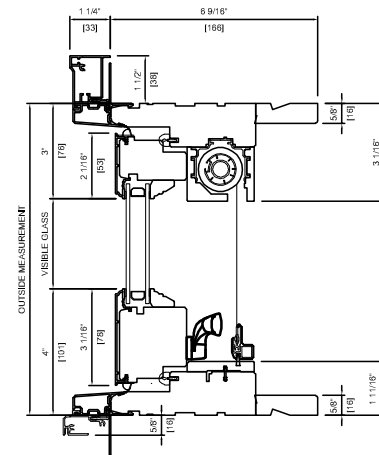


METAL CLAD DOUBLE
6 9/16" (166mm)
2" BRICKMOULD STANDARD SILL NOSE
RETRACTABLE SCREEN

Plan View

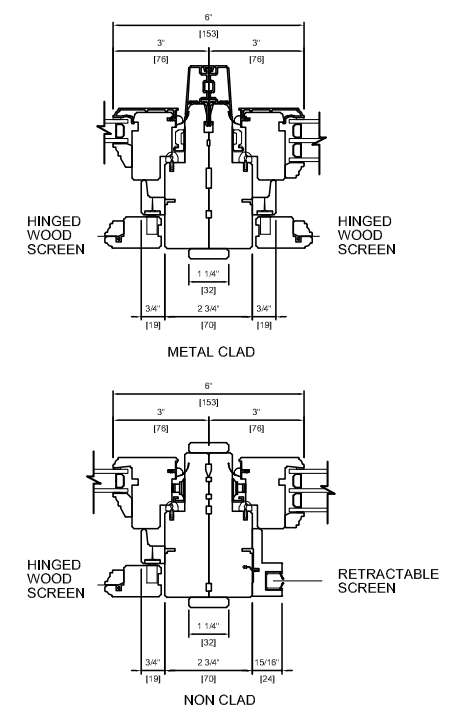


Head & Sill Detail



METAL CLAD DOUBLE
6 9/16" (166mm)
2" BRICKMOULD STANDARD SILL NOSE
RETRACTABLE SCREEN

Plan View



Note: • Other jamb widths available.
• All dimensions to have +/- 1/16" (2mm) tolerance.

Note: • Other jamb widths available.
• All dimensions to have +/- 1/16" (2mm) tolerance.

