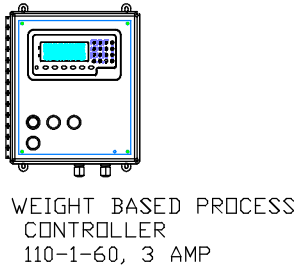
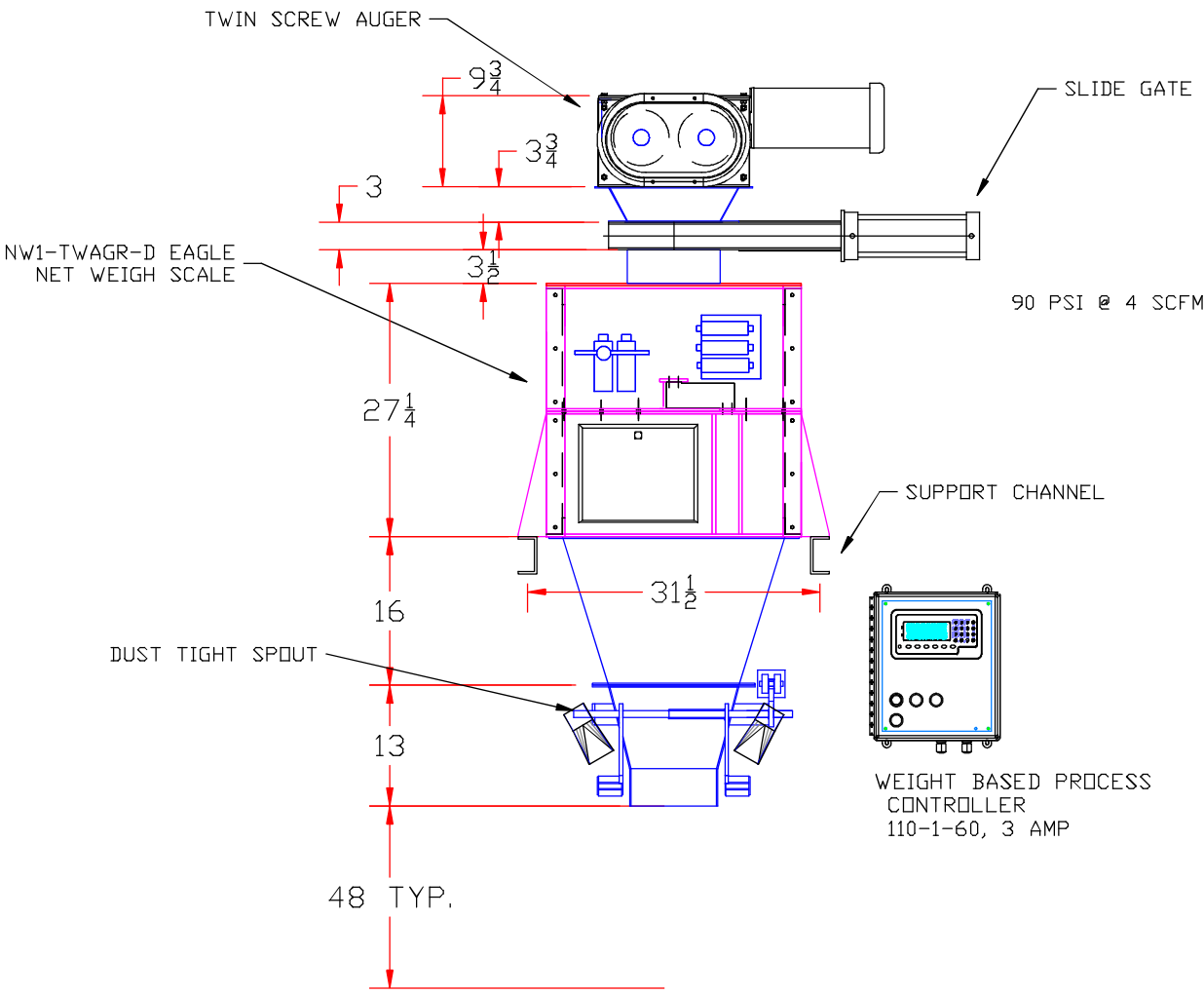
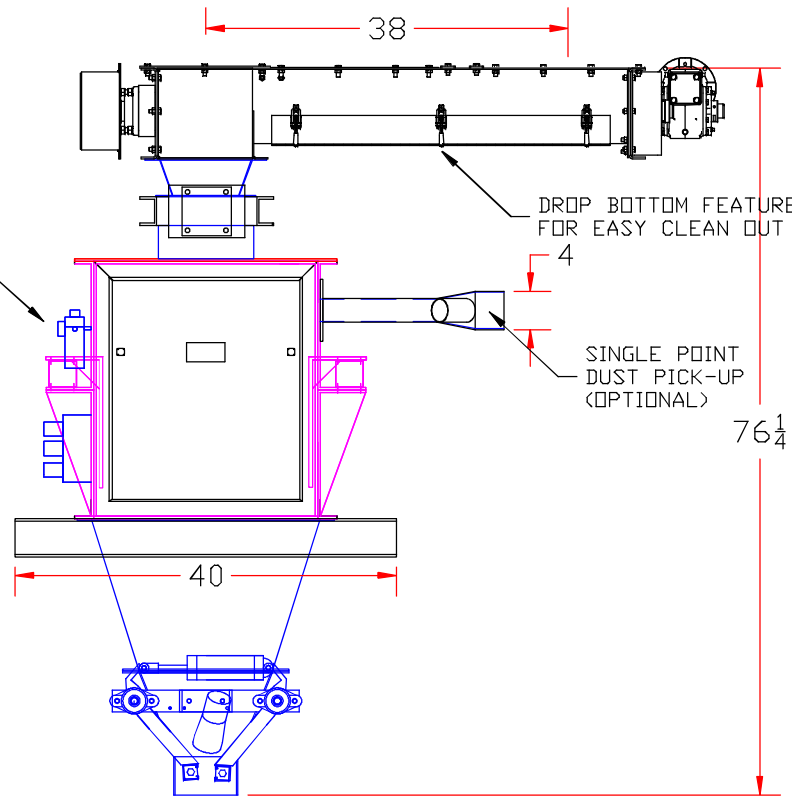
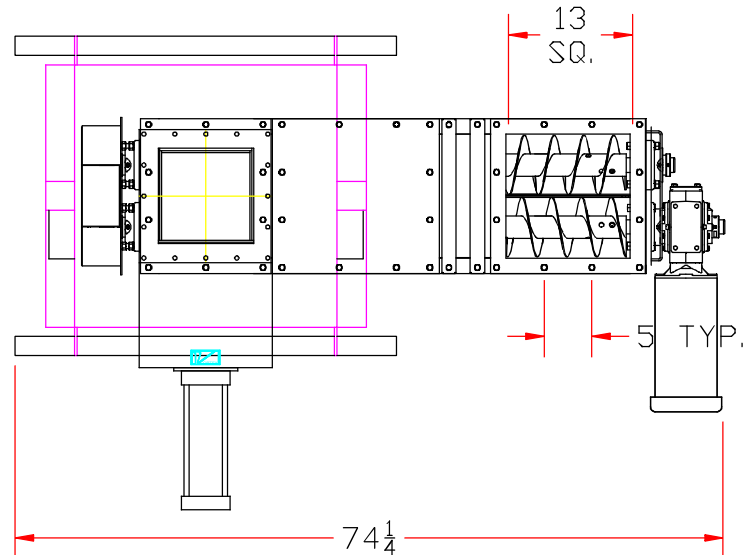


REV. A	<b>JEM INTERNATIONAL, INC.</b>			
REV. B	6873 MARTINDALE SHAWNEE, KANSAS 66218 (913) 441-4788			
REV. C	NAME NW1-TWAGR-D EAGLE NET WEIGH SCALE DUST TIGHT SPOUT, DUST COLLECTION PORTS			
REV. D	FOR			
REV. E				
REV. F	TOLERANCE	MATERIAL	SCALE D.N.S.	PART NUMBER S.S.
REV. G	DRAWING NUMBER NW1-AUG-DUST	DRAWN BY COUGHLIN	DATE 01-14-15	PART NUMBER M.S.



DROP BOTTOM FEATURE FOR EASY CLEAN OUT  
4  
SINGLE POINT DUST PICK-UP (OPTIONAL)