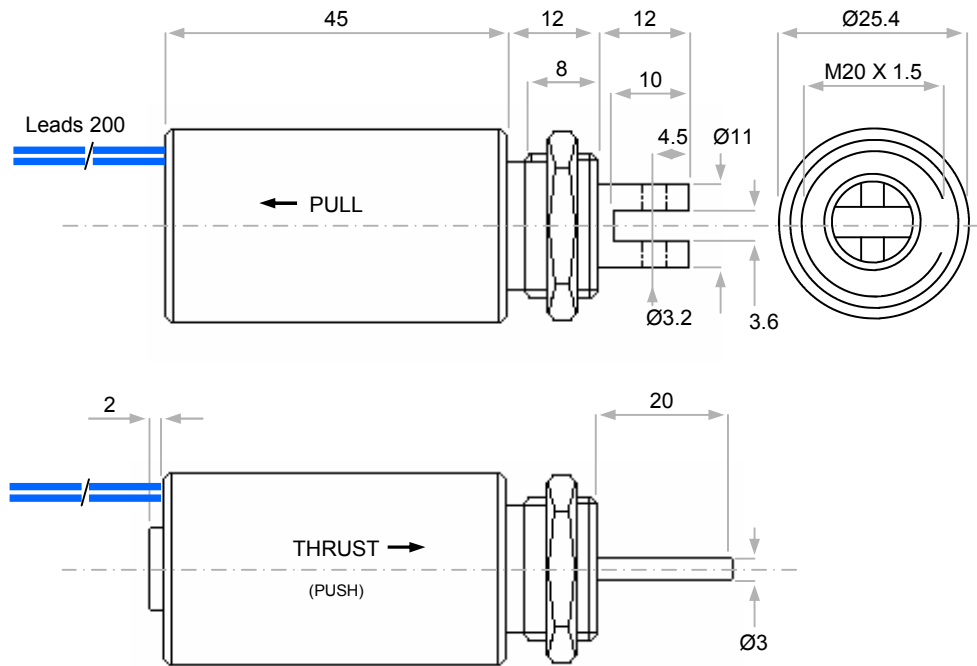


# CLP254-45 DC TUBULAR SOLENOID



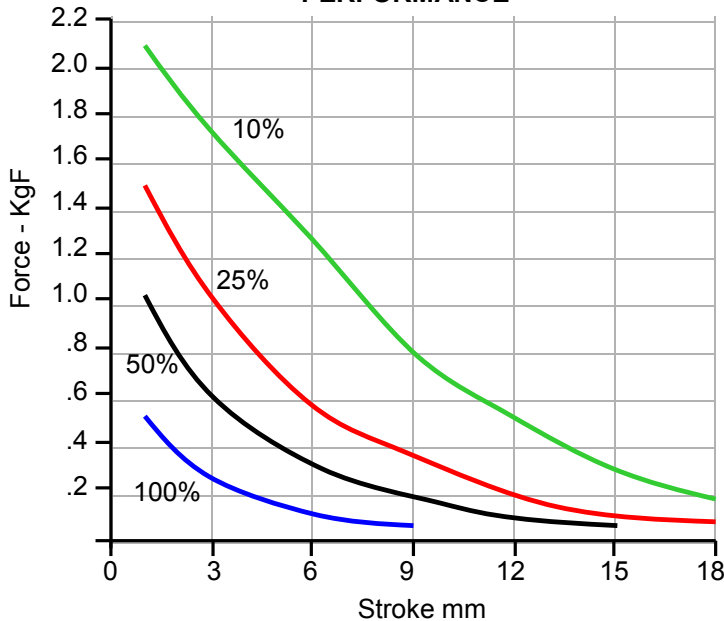
Dimensions in mm(s)

**Availability**  
For DC only.  
PULL - THRUST  
PULL & THRUST

**Solenoid shown in energised position**

Weight complete 160g  
Plunger weight 37g max

## PERFORMANCE



Forces shown are at working temperature  
Cold forces are higher

## DC Watts

100% Rtg = 5W

50% Rtg = 10W

25% Rtg = 20W

10% Rtg = 50W

Standard Codes

CLP254-45						
ACTION	PULL	P				
	THRUST (PUSH)	T				
	PULL & THRUST	PT				
COIL	12VDC		100%	50%	25%	10%
	24VDC		01	02	03	04
			05	06	07	08

ie CLP254-45 / P / 01

\*\* Please note: Plunger coupling, thrust rods and lead length can all be customised \*\*

We reserve the right to alter or amend designs without prior notice.

**HE & BS Benson Ltd**

1 Laureate Industrial Estate, Exning Road, Newmarket, Suffolk UK CB8 0AR

T. +44(0)1638 663535 – 663130 F. +44(0)1638 667434 E. sales@hebsbenson.co.uk www.hebsbenson.co.uk