

ASMT SERIES MINIATURE PRESSURE & TEMPERATURE TRANSDUCER (LOW RANGE)



The ASMT Series feature both Pressure and Temperature Sensors within a single transducer package. These High Temperature Transducers are ideal for high precision data acquisition or control systems found on Automotive and Motorsport applications.

Offering a high level of reliability and endurance, the ASMT is protected against the high vibration, shock and high temperatures found in harsh environments.

Using a modular construction and programmable amplifier provides a fast delivery time for standard and custom configurations.

Pressure ranges are available between 1 and 35 Bar in either Absolute or Sealed Gauge reference. The industry standard 3-wire electrical connections for the Pressure and 2-wire for the Temperature allow configuration with most common ECU's and data logging systems.

TECHNICAL SPECIFICATIONS

Pressure Reference	Absolute and Sealed Gauge
Standard Pressure Ranges (Bar)	1, 2, 5, 10, 15, 20, 35
Proof Pressure (Over range)	300% of Range
Burst Pressure	>1000% of Range
Accuracy	±0.08% FS Combined Linearity & Hysteresis (CNLH)
Thermal Accuracy (Total Error Band)	<±0.25% FS TEB within Compensated Range
Outputs	Press: 0.5V to 4.5V (±0.5%) Temp: NTC, 2-Wire 10KΩ@25°C or 2-Wire PT1000
Supply	5V (±0.5V) Ratiometric or 8-16Vdc (<20mA)
Operating Temperature Range	-20°C to +150°C
Compensated Temperature Range	0°C to +125°C
Construction	Stainless Steel
Electrical Connection	26AWG, 55 Spec Wire + DR25 Sleeve
Process Connection (Thread Size)	Please see Part Number Configurator
Protection Class	IP67
EMC Protection & Vibration	EN E50082-1 and Mil-Std-810C, Curve L, 20G
Weight	29g (Including Cable)
Options	Cable Spec, Connector Fitted, Labelling & Thread Size

Ka Sensors adopts a continuous development program which sometimes necessitates specification changes without notice.

Sensors For Motorsport

Features

- Built-In Temp. Sensor
- Miniature Size
- 1 to 35 Bar Range
- 150°C Operation
- Amplified Output
- ±0.08% Accuracy

Applications

- Coolant
- Brakes
- Water
- Boost
- Fuel
- Oil

kasensors.com

sales@kasensors.com

+44(0)1476 568057

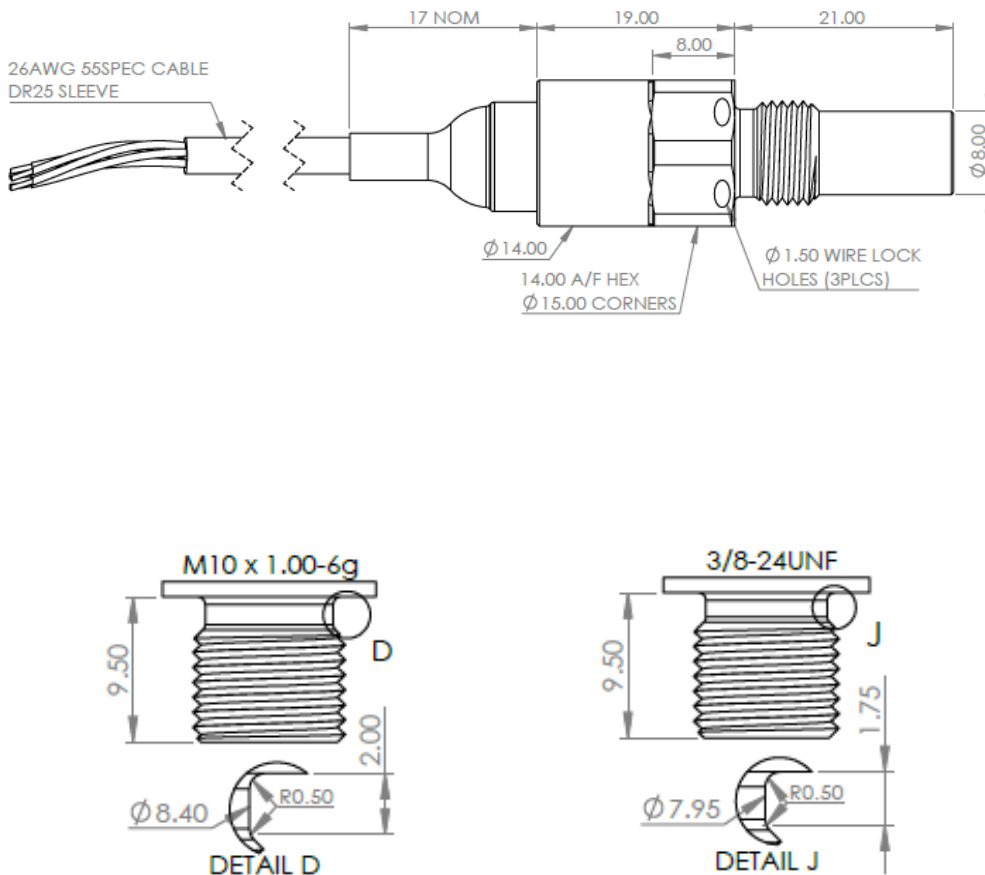
ASMT LOW 10.19

PART NUMBER CONFIGURATOR

	ASMT								
Pressure Reference	Absolute Sealed Gauge	A	S						
Pressure Range	1 Bar	2 Bar	5 Bar	10 Bar	15 Bar	20 Bar	35 Bar		
		1000	2000	5000	1002	1502	2002	3502	
Supply Voltage	5V Ratiometric	8-16V							
			4	5					
Accuracy (CNLH)	±0.08% FS Combined Linearity & Hysteresis (CNLH)			A					
Accuracy (Thermal Shift)	<±0.25% FS TEB within Compensated Range			1					
Electrical Connection	26AWG, 55 Spec Wire +DR25 Sleeve				A				
Process Connection	M10 x 1 Male (ISO 6149-2)					D			
	3/8 Inch 24 UNF - No Cone (SAE J1926-2)					J			
Temperature Sensor Type	NTC, 2-Wire 10KΩ@25°C						F		
	PT1000, 2-Wire ClassA						H		
Cable Length	50cm							050	
Special Code	None								000

The KA configuration tool is used to specify a standard KA Sensor, other options are available.

MECHANICAL DETAILS



*Sense
Analyse
Control*

Services for:

- Data Logging
- Telemetry
- Controls
- Wiring

Contact us

KA Sensors Ltd
Unit 14 & 15
The Old Malthouse
Springfield Road
Grantham
Lincolnshire
United Kingdom
NG31 7BG

kasensors.com
sales@kasensors.com
+44(0)1476 568057

ASMT LOW 10.19

PART NUMBER CONFIGURATOR

	NTC10K Ω	PT1000
Temp $^{\circ}$ C	Output Ω	Output Ω
-30	120370.00	882.200
-20	71668.00	921.600
-10	44087.00	960.900
0	27936.00	1000.000
10	18187.00	1039.000
20	12136.00	1077.900
25	10000.00	1097.300
30	8284.50	1116.700
40	5774.20	1155.400
50	4120.60	1194.000
60	2967.30	1232.400
70	2181.70	1270.800
80	1628.80	1309.000
90	1233.50	1347.100
100	946.59	1385.100
110	735.47	1422.900
120	578.10	1460.700
130	459.36	1498.300
140	368.75	1535.800
150	298.86	1573.300

CONNECTION DETAILS

+Ve Supply	0V Supply	Output (P)	Output (T)	Output (T)
Red	Black	White	Blue	Green

Sense
Analyse
Control

Services for:

- Data Logging
- Telemetry
- Controls
- Wiring

Contact us

KA Sensors Ltd
Unit 14 & 15
The Old Malthouse
Springfield Road
Grantham
Lincolnshire
United Kingdom
NG31 7BG

kasensors.com
sales@kasensors.com
+44(0)1476 568057

ASMT LOW 10.19