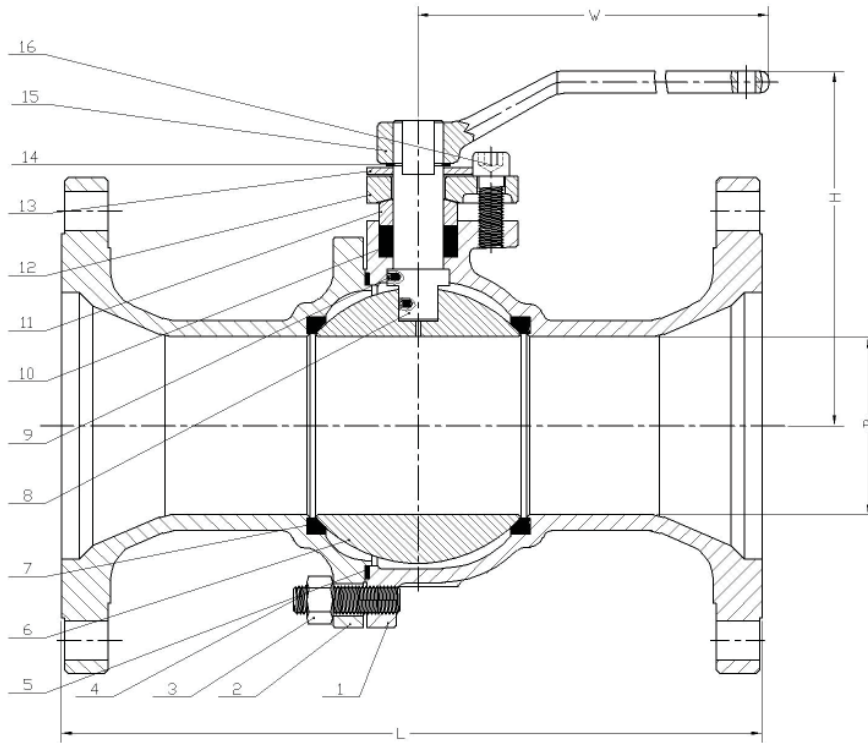




**FLOATING AND
TRUNNION
BALL VALVES
TECHNICAL DATA**



4S1 Series Cast Steel Ball Valve Standard Port



DESIGN:

API 6D
API 607/API 6FA
ASME B16.34

TESTING:

API 598

PRESSURE CLASS:

FLANGED – 150

CONNECTIONS:

FLANGED – ASME B16.5
ASME B16.10

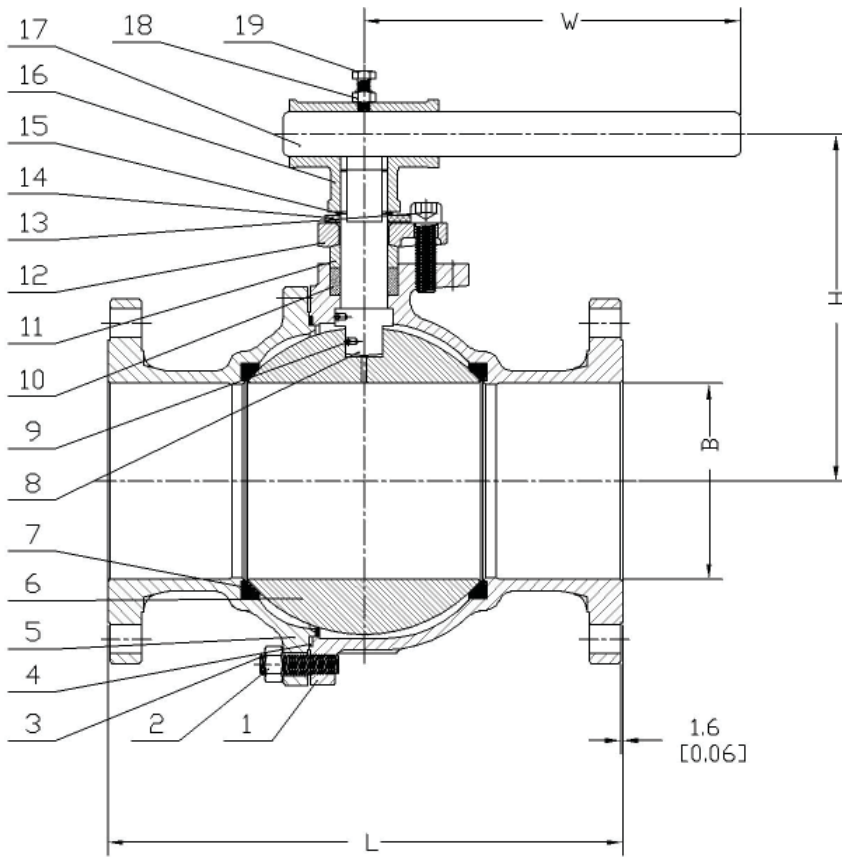
DIMENSIONS						
SIZE		L	B	H	W	Weight Lbs/Kg
2	Inch	7.00	2.00	5.20	7.50	20.9
	mm	178	51	132	190.0	9.5
3	Inch	8.00	1.97	4.28	9.25	41.9
	mm	203	50.0	108.7	234	19
4	Inch	9.00	3.00	6.89	6.40	72.8
	mm	229	76.0	175	162.5	33
6	Inch	15.50	3.94	7.85	8.75	127.9
	mm	394	100.0	199.5	222.0	58
8	Inch	18.00	5.91	12.37	29.0	205.0
	mm	457.0	150.0	314	738.0	93
10	Inch	21.00	7.87	N/A	GO	352.7
	mm	533	200	N/A	GO	160

MATERIAL SPECIFICATIONS				
NO.	Part Name	Carbon Steel/304	Stainless Steel/316	LCC/304
1	Body	A216 Gr. WCB	A 351 Gr. CF8M	A351 Gr. LCC
2	Retainer	A216 Gr. WCB	A 351 Gr. CF8M	A351 Gr. LCC
3	Body Nut	A194 Gr. 2H	A194 Gr. 8A	A194 Gr. 4
4	Body Stud	A193 Gr. B7	A320 Gr. B8M	A320 Gr. L7M
5	Gasket	304/Graphite	316/Graphite	316/Graphite
6	Ball	A182 Gr. F304	A182 Gr. F316	A182 Gr. F304
7	Seat	P.T.F.E.	P.T.F.E.	P.T.F.E.
8	Stem	A182 Gr. F304	A182 Gr. F316	A182 Gr. F304
9	Anti-Static Device	A182 Gr. F316	A182 Gr. F316	A182 Gr. F304
10	Packing	Graphite	Graphite	Graphite
11	Gland	A276 Gr. 304	A276 Gr. 316	A276 Gr. 304
12	Gland Plate	A216 Gr. WCB	A 351 Gr. CF8M	A216 Gr. WCB
13	Stop Plate	A570	A570	A570
14	Washer	AISI SS304	AISI SS304	AISI SS304
15	Handle	A216 Gr. WCB	A216 Gr. WCB	A216 Gr. WCB
16	Screw	A193 Gr. B7	A320 Gr. B8M	A320 Gr. L7

NOTE:
COMPONENTS MAY CHANGE ACCORDING TO VALVE SIZE.
CONTACT BERIC FOR CERTIFIED DRAWINGS.

ADDITIONAL VALVE BODY AND TRIM MATERIALS
AVAILABLE.

4F1 Series Cast Steel Ball Valve Full Port



PRESSURE CLASS:
FLANGED – 150

CONNECTIONS:
FLANGED – ASME B16.5
ASME B16.10

STANDARDS DESIGN:
API 6D, API 608
API 607/API 6FA
ASME B16.34

TESTING:
API 598

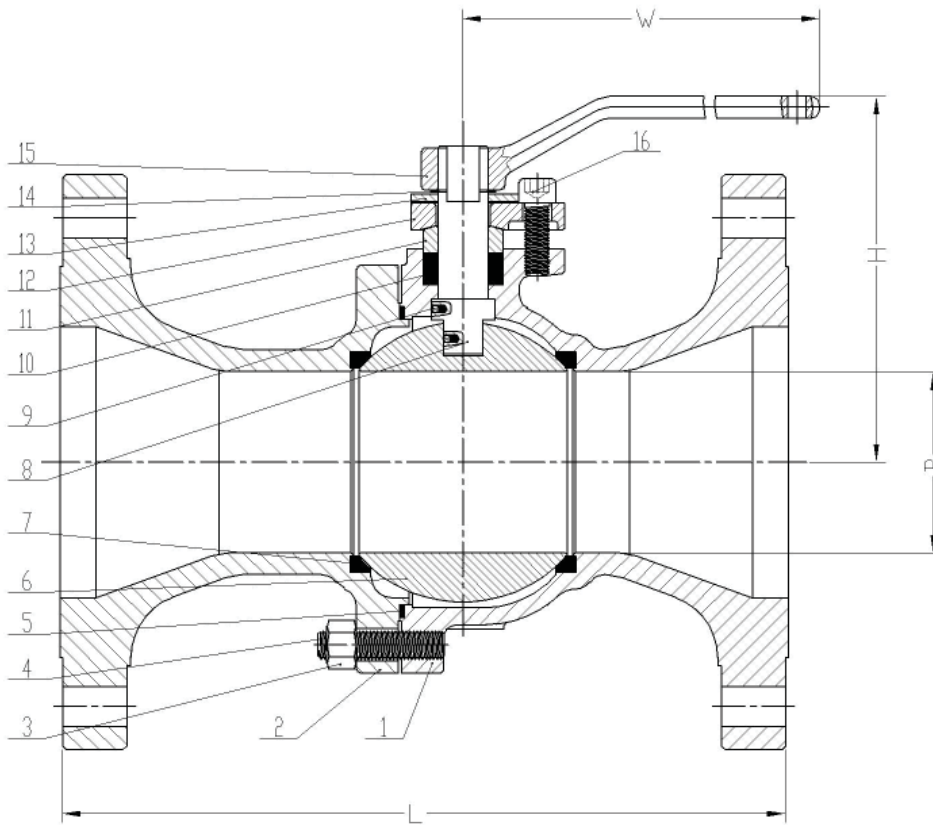
SIZE	DIMENSIONS					Weight Lbs/Kg
		L	B	H	W	
2	Inch	7.00	1.97	4.5	9.18	20.9
	mm	178	50	114.3	233.2	9.5
3	Inch	8.00	3.00	6.40	10.50	41.9
	mm	203	76	162.5	266.7	19
4	Inch	9.00	3.94	7.87	8.87	72.8
	mm	229	100.1	200	225	33
6	Inch	15.50	5.94	10.44	31.50	172.0
	mm	394	150.9	265.4	800	78
8	Inch	18.00	7.94	13.62	GO	286.6
	mm	457	201.7	345	GO	130

MATERIAL SPECIFICATIONS				
NO.	Part Name	Carbon Steel/304	Stainless Steel/316	LCC/304
1	Body	A216 Gr. WCB	A 351 Gr. CF8M	A351 Gr. LCC
2	Body Nut	A194 Gr. 2H	A194 Gr. 8M	A194 Gr. 4
3	Body Stud	A193 Gr. B7	A193 Gr. B8	A193 Gr. L7M
4	Body Stud	A193 Gr. B7	A193 Gr. B8	A193 Gr. B7
5	Retainer	A216 Gr. WCB	A 351 Gr. CF8M	A351 Gr. LCC
6	Ball	A276 Gr. 304	A276 Gr. 316	A276 Gr. 304
7	Seat	P.T.F.E.	P.T.F.E.	P.T.F.E.
8	Stem	A182 Gr. F304	A182 Gr. F316	A182 Gr. F304
9	Anti-Static Device	304 SST	316 SST	304 SST
10	Packing	Graphite	Graphite	Graphite
11	Gland	A276 Gr. 304	A276 Gr. 316	A276 Gr. 304
12	Gland Plate	A216 Gr. WCB	A 351 Gr. CF8M	A351 Gr. WCB
13	Screw	A193 Gr. B7	A193 Gr. B8	A193 Gr. B7
14	Stop Plate	ASTM A570	ASTM A570	ASTM A570
15	Washer	304 SST	316 SST	304 SST
16	Handle Adaptor	A216 Gr. WCB	A216 Gr. WCB	A216 Gr. WCB
17	Handle	ASTM A570	ASTM A570	ASTM A570
18	Nut	A194 Gr. 2H	A194 Gr. 8M	A194 Gr. 2H
19	Bolt	A193 Gr. B7	A193 Gr. B8	A193 Gr. B7

NOTE:
COMPONENTS MAY CHANGE ACCORDING TO VALVE SIZE. CONTACT
BERIC FOR CERTIFIED DRAWINGS.

ADDITIONAL VALVE BODY AND TRIM MATERIALS AVAILABLE.

4S3 Series Cast Steel Ball Valve Standard Port



STANDARDS

DESIGN:

API 6D
API 607/API 6FA
ASME B16.34

TESTING:

API 598

PRESSURE CLASS:

FLANGED - 300

CONNECTIONS:

FLANGED - ASME B16.5
ASME B16.10

DIMENSIONS						
SIZE		L	B	H	W	Weight Lbs/Kg
2	Inch	8.50	1.50	4.30	9.25	32.0
	mm	216.0	38.0	109.0	234.0	14.5
3	Inch	11.00	1.97	5.25	10.62	66.1
	mm	282.0	50.0	132.5	270.0	30
4	Inch	12.00	2.99	6.62	11.41	121.3
	mm	305.0	76.0	168.0	290.0	55
6	Inch	15.75	3.94	8.00	16.41	205.0
	mm	400.0	100.0	203.0	417.0	93
8	Inch	19.75	5.91	12.37	29.00	260.1
	mm	502.0	150.0	313.0	738.0	118
10	Inch	22.36	7.87	N/A	GO	440.9
	mm	568.0	200.0	N/A	GO	200

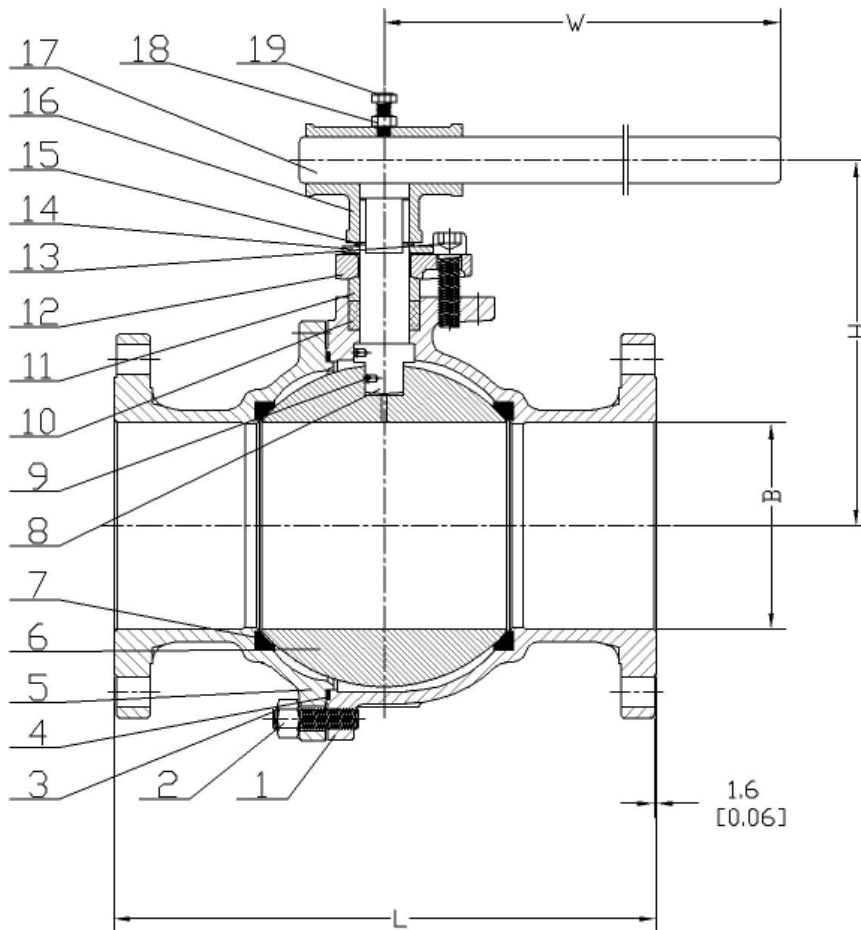
MATERIAL SPECIFICATIONS				
NO.	Part Name	Carbon Steel/304	Stainless Steel/316	LCC/304
1	Body	A216 Gr. WCB	A 351 Gr. CF8M	A351 Gr. LCC
2	Retainer	A216 Gr. WCB	A 351 Gr. CF8M	A351 Gr. LCC
3	Body Nut	A194 Gr. 2H	A194 Gr. 8A	A194 Gr. 4
4	Body Stud	A193 Gr. B7	A320 Gr. B8M	A320 Gr. L7M
5	Gasket	304/Graphite	316/Graphite	304/Graphite
6	Ball	A182 Gr. F304	A182 Gr. F316	A182 Gr. F304
7	Seat	P.T.F.E.	P.T.F.E.	P.T.F.E.
8	Stem	A182 Gr. F304	A182 Gr. F316	A182 Gr. F304
9	Anti-Static Device	A182 Gr. F316	A182 Gr. F316	A182 Gr. F304
10	Packing	Graphite	Graphite	Graphite
11	Gland	A276 Gr. 304	A276 Gr. 316	A276 Gr. 304
12	Gland Plate	A216 Gr. WCB	A 351 Gr. CF8M	A216 Gr. WCB
13	Stop Plate	A570	A570	A570
14	Washer	AISI SS304	AISI SS304	AISI SS304
15	Handle	A216 Gr. WCB	A216 Gr. WCB	A216 Gr. WCB
16	Screw	A193 Gr. B7	A320 Gr. B8M	A320 Gr. L7

NOTE:

COMPONENTS MAY CHANGE ACCORDING TO VALVE SIZE.
CONTACT BERIC FOR CERTIFIED DRAWINGS.

ADDITIONAL VALVE BODY AND TRIM MATERIALS AVAILABLE.

4F3 Series Cast Steel Ball Valve Full Port



STANDARDS

DESIGN:

API 6D, API 608
API 607/API 6FA
ASME B16.34

TESTING:

API 598

PRESSURE CLASS:

FLANGED - 300

CONNECTIONS:

FLANGED - ASME B16.5
ASME B16.10

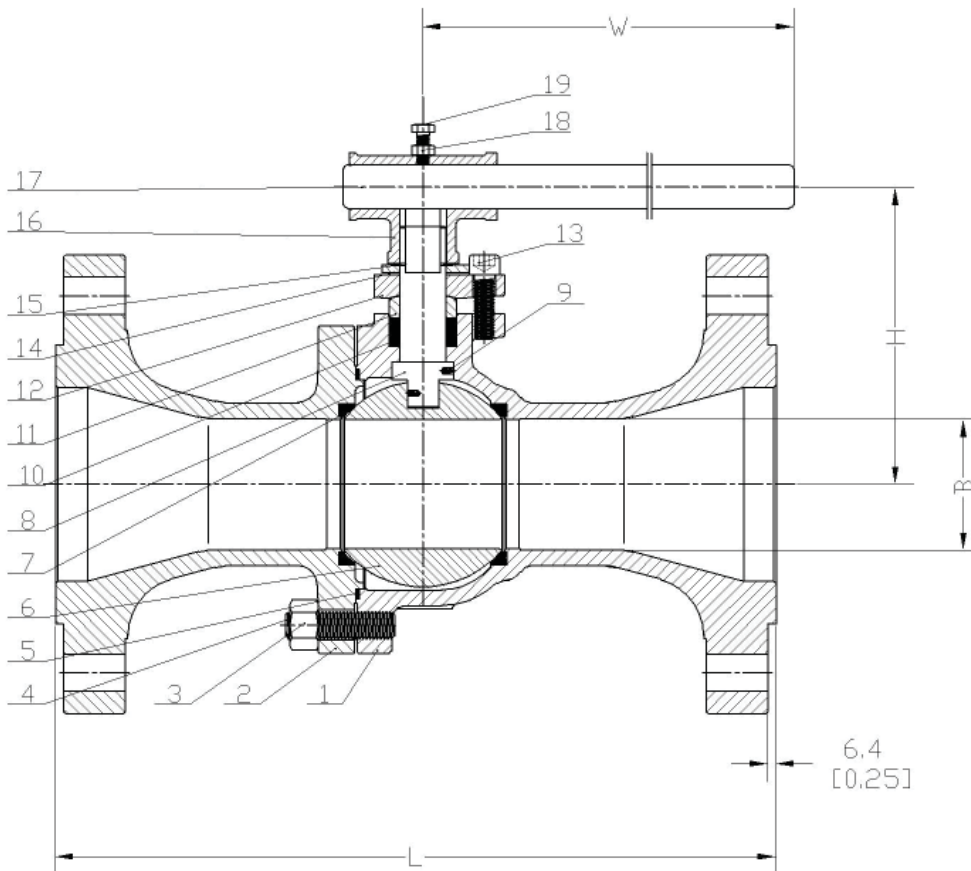
SIZE	DIMENSIONS					Weight Lbs/Kg
		L	B	H	W	
2	Inch	8.50	1.97	5.43	15.75	33.10
	mm	216	50	138	400	15
3	Inch	11.12	3.00	6.89	17.72	77.2
	mm	282	76	175	450	35
4	Inch	12.00	3.94	7.87	17.72	123.5
	mm	305	100	200	500	56
6	Inch	15.88	5.98	9.06	19.68	220.5
	mm	403	152	230	300	100
8	Inch	19.75	8.00	11.42	15.75	352.7
	mm	502	203	290	400	160

NOTE:
COMPONENTS MAY CHANGE ACCORDING TO VALVE SIZE.
CONTACT BERIC FOR CERTIFIED DRAWINGS.

ADDITIONAL VALVE BODY AND TRIM MATERIALS AVAILABLE.

MATERIAL SPECIFICATIONS				
NO.	Part Name	Carbon Steel/304	Stainless Steel/316	LCC/304
1	Body	A216 Gr. WCB	A 351 Gr. CF8M	A351 Gr. LCC
2	Body Nut	A194 Gr. 2H	A194 Gr. 8A	A194 Gr.4
3	Body Bolt	A193 Gr. B7	A193 Gr. B8M	A193 Gr. L7M
4	Gasket	304/Graphite	316/Graphite	304/Graphite
5	Retainer	A216 Gr. WCB	A 351 Gr. CF8M	A351 Gr. LCC
6	Ball	A276 Gr. 304	A276 Gr. 316	A276 Gr. 304
7	Seat	PTFE	PTFE	PTFE
8	Stem	A276 Gr. 304	A276 Gr. 316	A276 Gr. 304
9	Anti Static Device	304SS	304SS	304SS
10	Packing	Graphite	Graphite	Graphite
11	Gland	A276 Gr. 304	A276 Gr. 316	A276 Gr. 304
12	Gland Plate	A216 Gr. WCB	A 351 Gr. CF8M	A216 Gr. WCB
13	Bolt	A193 Gr. B7	A193 Gr. B8M	A193 Gr. B7
14	Stop Plate	A570 Gr. 45	316SS	A570 Gr. 45
15	Washer	304SS	316SS	304SS
16	Handle Adaptor	A216 Gr. WCB	A216 Gr. WCB	A216 Gr. WCB
17	Handle	A570	A570	A570
18	Nut	A194 Gr. 2H	A194 Gr. 8A	A194 Gr. 2H
19	Bolt	A193 Gr. B7	A193 Gr. B8M	A193 Gr. B7

4S6 Series Cast Steel Ball Valve Standard Port



STANDARDS

DESIGN:

API 6D, API 608
API 607/API 6FA
ASME B16.34

TESTING:

API 598

PRESSURE CLASS:

FLANGED - 600

CONNECTIONS:

FLANGED - ASME B16.5
ASME B16.10

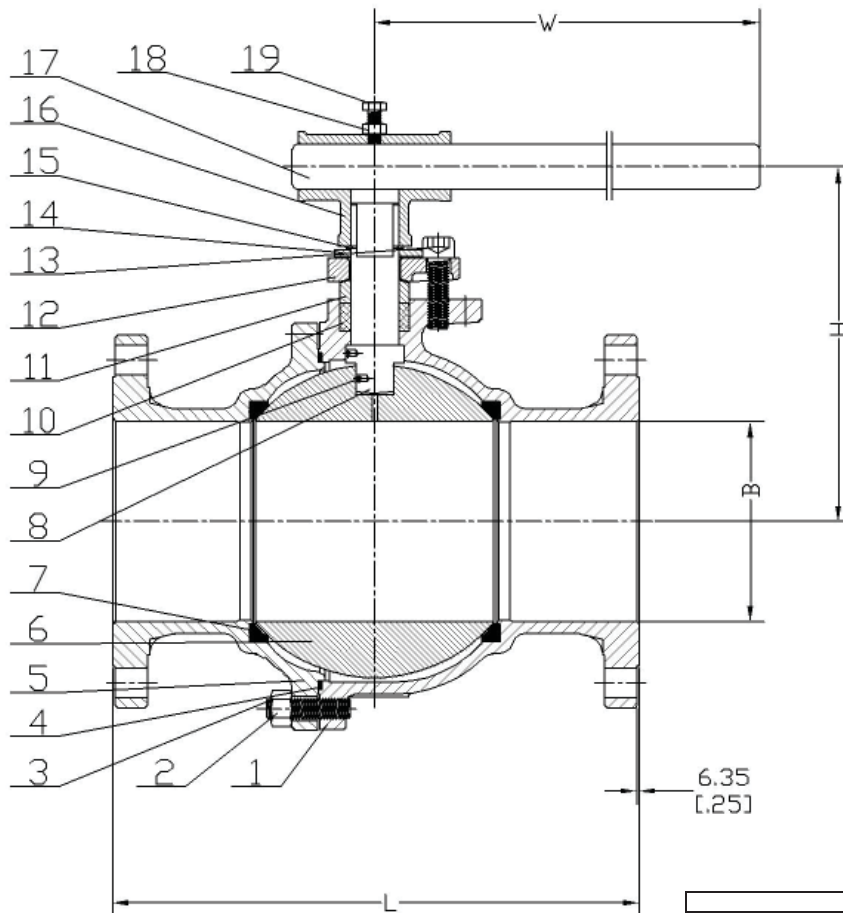
DIMENSIONS						
SIZE		L	B	H	W	Weight Lbs/Kg
3	Inch	14.00	1.97	5.68	18.00	
	mm	356.0	500.0	144.0	457.0	
4	Inch	17.00	3.00	6.78	16.50	
	mm	432.0	76.0	172.0	417.0	
6	Inch	22.00	4.02	9.12	21.00	
	mm	559.0	102.0	231.0	534.0	

NOTE:
COMPONENTS MAY CHANGE ACCORDING TO VALVE SIZE.
CONTACT BERIC FOR CERTIFIED DRAWINGS.

ADDITIONAL VALVE BODY AND TRIM MATERIALS
AVAILABLE.

MATERIAL SPECIFICATIONS				
NO.	Part Name	Carbon Steel/304	Stainless Steel/316	LCC/304
1	Body	A216 Gr. WCB	A 351 Gr. CF8M	A351 Gr. LCC
2	Body Nut	A194 Gr. 2H	A194 Gr. 8A	A194 Gr. 4
3	Body Bolt	A193 Gr. B7	A193 Gr. B8M	A193 Gr. L7M
4	Retainer	A216 Gr. WCB	A 351 Gr. CF8M	A351 Gr. LCC
5	Gasket	304/Graphite	316/Graphite	304/Graphite
6	Ball	A276 Gr. 304	A276 Gr. 316	A276 Gr. 304
7	Seat	PTFE	PTFE	PTFE
8	Stem	A276 Gr. 304	A276 Gr. 316	A276 Gr. 304
9	Anti Static Device	304SS	304SS	304SS
10	Packing	Graphite	Graphite	Graphite
11	Gland	A276 Gr. 304	A276 Gr. 316	A276 Gr. 304
12	Gland Plate	A216 Gr. WCB	A 351 Gr. CF8M	A216 Gr. WCB
13	Bolt	A193 Gr. B7	A193 Gr. B8M	A193 Gr. B7
14	Stop Plate	A570 Gr. 45	316SS	A570 Gr. 45
15	Washer	304SS	316SS	304SS
16	Handle Adaptor	A216 Gr. WCB	A216 Gr. WCB	A216 Gr. WCB
17	Handle	A570	A570	A570
18	Nut	A194 Gr. 2H	A194 Gr. 8A	A194 Gr. 2H
19	Bolt	A193 Gr. B7	A193 Gr. B8M	A193 Gr. B7

4F6 Series Cast Steel Ball Valve Full Port



STANDARDS

DESIGN:

API 6D, API 608
API 607/API 6FA
ASME B16.34

TESTING:

API 598

PRESSURE CLASS:

FLANGED - 600

CONNECTIONS:

FLANGED - ASME B16.5
ASME B16.10

DIMENSIONS						
SIZE		L	B	H	W	Weight Lbs/Kg
2	Inch	11.50	1.97	5.70	17.70	58.4
	mm	292	50	145	450	26.5
3	Inch	14.00	3.00	5.90	17.70	112.4
	mm	356	76	150	450	51
4	Inch	17.00	3.94	9.10	21.30	165.3
	mm	432	100	230	540	75

NOTE:

COMPONENTS MAY CHANGE ACCORDING TO VALVE SIZE.
CONTACT BERIC FOR CERTIFIED DRAWINGS.

ADDITIONAL VALVE BODY AND TRIM MATERIALS
AVAILABLE.

MATERIAL SPECIFICATIONS				
NO.	Part Name	Carbon Steel/304	Stainless Steel/316	LCC/304
1	Body	A216 Gr. WCB	A 351 Gr. CF8M	A351 Gr. LCC
2	Body Nut	A194 Gr. 2H	A194 Gr. 8A	A194 Gr. 4
3	Body Bolt	A193 Gr. B7	A193 Gr. B8M	A193 Gr. L7M
4	Gasket	304/Graphite	316/Graphite	304/Graphite
5	Retainer	A216 Gr. WCB	A 351 Gr. CF8M	A351 Gr. LCC
6	Ball	A276 Gr. 304	A276 Gr. 316	A276 Gr. 304
7	Seat	PTFE	PTFE	PTFE
8	Stem	A276 Gr. 304	A276 Gr. 316	A276 Gr. 304
9	Anti Static Device	304SS	304SS	304SS
10	Packiner	Graphite	Graphite	Graphite
11	Gland	A276 Gr. 304	A276 Gr. 316	A276 Gr. 304
12	Gland Plate	A216 Gr. WCB	A 351 Gr. CF8M	A216 Gr. WCB
13	Bolt	A193 Gr. B7	A193 Gr. B8M	A193 Gr. B7
14	Stop Plate	A570 Gr. 45	316SS	A570 Gr. 45
15	Washer	304SS	316SS	304SS
16	Handle Adaptor	A216 Gr. WCB	A216 Gr. WCB	A216 Gr. WCB
17	Handle	A570	A570	A570
18	Nut	A194 Gr. 2H	A194 Gr. 8A	A194 Gr. 2H
19	Bolt	A193 Gr. B7	A193 Gr. B8M	A193 Gr. B7

8F1 Series Cast Steel Ball Valve

Full Port - Trunnion Mount

STANDARDS

DESIGN:

API 6D, API 608
API 607/API 6FA
ASME B16.34

TESTING:

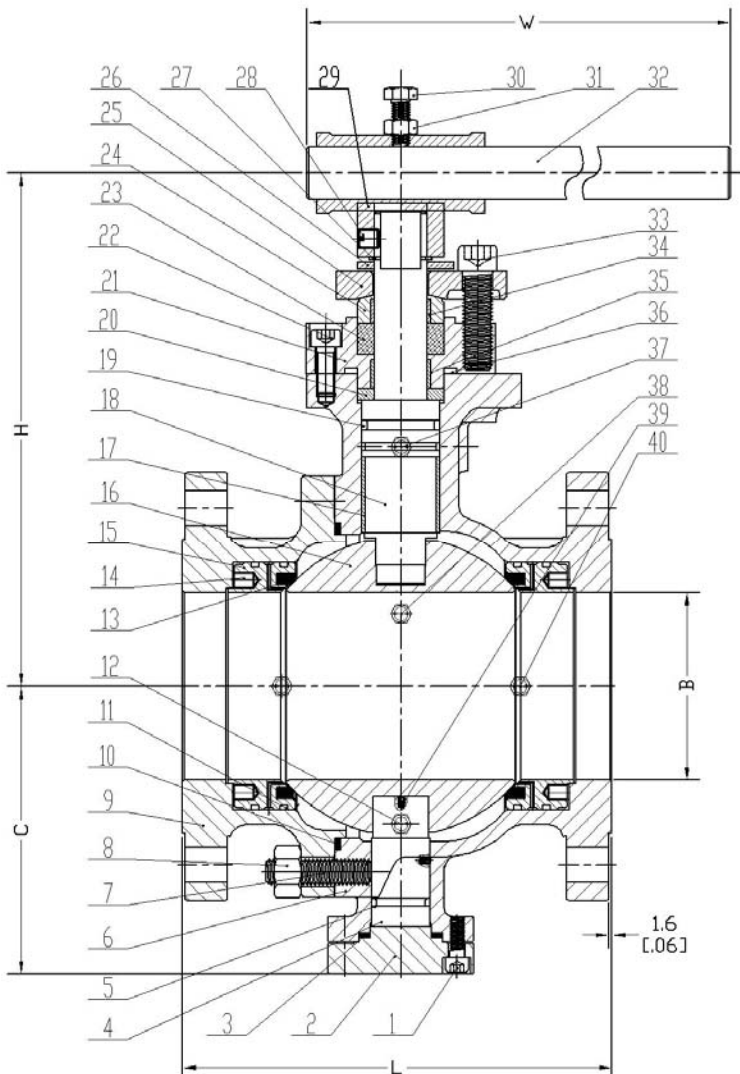
API 598

PRESSURE CLASS:

FLANGED - 150

CONNECTIONS:

FLANGED - ASME B16.5
ASME B16.10



NOTE:
COMPONENTS MAY CHANGE ACCORDING TO VALVE SIZE.
CONTACT BERIC FOR CERTIFIED DRAWINGS.

ADDITIONAL VALVE BODY AND TRIM MATERIALS
AVAILABLE.

MATERIAL SPECIFICATIONS

NO.	Part Name	Carbon Steel/304	Stainless Steel/316	LCC/304
1	Screw	A193 Gr. B7	A193 Gr. B8	A193 Gr. B7
2	End Cap	A105N	A182 Gr. F316	A350 Gr. LF2
3	Gasket	316/Graphite	316/Graphite	316/Graphite
4	Bottom Stem	A182 Gr. F304	A182 Gr. F316	A182 Gr. F304
5	O-Ring	Viton	Viton	Viton
6	Body	A216 Gr. WCB	A 351 Gr. CF8M	A351 Gr. LCC
7	Body Stud	A193 Gr. B7	A193 Gr. B8	A193 Gr. L7M
8	Body Nut	A194 Gr. 2H	A194 Gr. 8M	A194 Gr. 4
9	Retainer	A216 Gr. WCB	A 351 Gr. CF8M	A351 Gr. LCC
10	Gasket	316/Graphite	316/Graphite	316/Graphite
11	O-Ring	Viton	Viton	Viton
12	Plug	Carbon Steel	316 SST	Carbon Steel
13	Seal Ring	PTFE	PTFE	PTFE
14	Spring	Inconel X-750	Inconel X-750	Inconel X-750
15	Pressure Plate	A182 Gr. F304	A182 Gr. F316	A182 Gr. F304
16	Ball	A182 Gr. F304	A182 Gr. F316	A182 Gr. F304
17	Bearing	316/PTFE	316/PTFE	316/PTFE
18	Stem	A182 Gr. F304	A182 Gr. F316	A182 Gr. F304
19	O-Ring	Viton	Viton	Viton
20	Washer	A182 Gr. F304	A182 Gr. F316	A182 Gr. F304
21	Packing Chamber	A182 Gr. F304	A182 Gr. F316	A182 Gr. F304
22	Screw	A193 Gr. B7	A193 Gr. B8	A193 Gr. B7
23	Packing	Graphite	Graphite	Graphite
24	Gland	A276 Gr. 304	A276 Gr. 316	A276 Gr. 304
25	Gland Flange	A216 Gr. WCB	A216 Gr. WCB	A216 Gr. WCB
26	Stop Plate	304 SST	316 SST	304 SST
27	Washer	304 SST	316 SST	304 SST
28	Screw	A193 Gr. B7	A193 Gr. B8	A193 Gr. B7
29	Handle Adaptor	A216 Gr. WCB	A 351 Gr. CF8M	A216 Gr. WCB
30	Screw	A193 Gr. B7	A193 Gr. B8	A193 Gr. B7
31	Nut	A194 Gr. 2H	A194 Gr. 8M	A194 Gr. 2H
32	Handle	A570 Gr. A	A570 Gr. A	A570 Gr. A
33	Screw	A193 Gr. B7	A193 Gr. B8	A193 Gr. B7
34	Bearing	316/PTFE	316/PTFE	316/PTFE
35	Bearing	316/PTFE	316/PTFE	316/PTFE
36	Gasket	304/Graphite	316/Graphite	304/Graphite
37	Grease Fitting	Carbon Steel	316 SST	Carbon Steel
38	Vent Fitting	Carbon Steel	316 SST	Carbon Steel
39	Anti-Static Device	304 SST	316 SST	304 SST
40	Grease Fitting	Carbon Steel	316 SST	Carbon Steel

DIMENSIONS

SIZE		L	B	C	H	W	Weight Lbs/Kg
2	Inch	7.00	1.97	3.94	7.09	10.63	66.1
	mm	178	50.0	100.0	180.0	270.0	30
3	Inch	8.00	3.00	5.10	7.90	10.63	110.2
	mm	203	76.0	130	200	270.0	50
4	Inch	9.00	3.94	6.06	9.96	17.72	198.4
	mm	229	100.1	154.0	253.0	450.0	90
6	Inch	15.50	5.94	8.00	20.55	GO	447.5
	mm	394	150.9	203.3	522.0	GO	203
8	Inch	18.00	7.94	9.10	13.40	GO	637.1
	mm	457	201.7	230	340	GO	289
10	Inch	21.00	9.92	12.02	28.92	GO	992.1
	mm	533	252.0	305.3	734.6	GO	450
12	Inch	24.00	11.93	13.99	24.00	GO	1296.3
	mm	610	303.0	353.3	609.4	GO	588

8F1 Series Forged Steel Ball Valve

Full Port - Trunnion Mount

STANDARDS

DESIGN:

API 6D, API 608
API 607/API 6FA
ASME B16.34

TESTING:

API 598

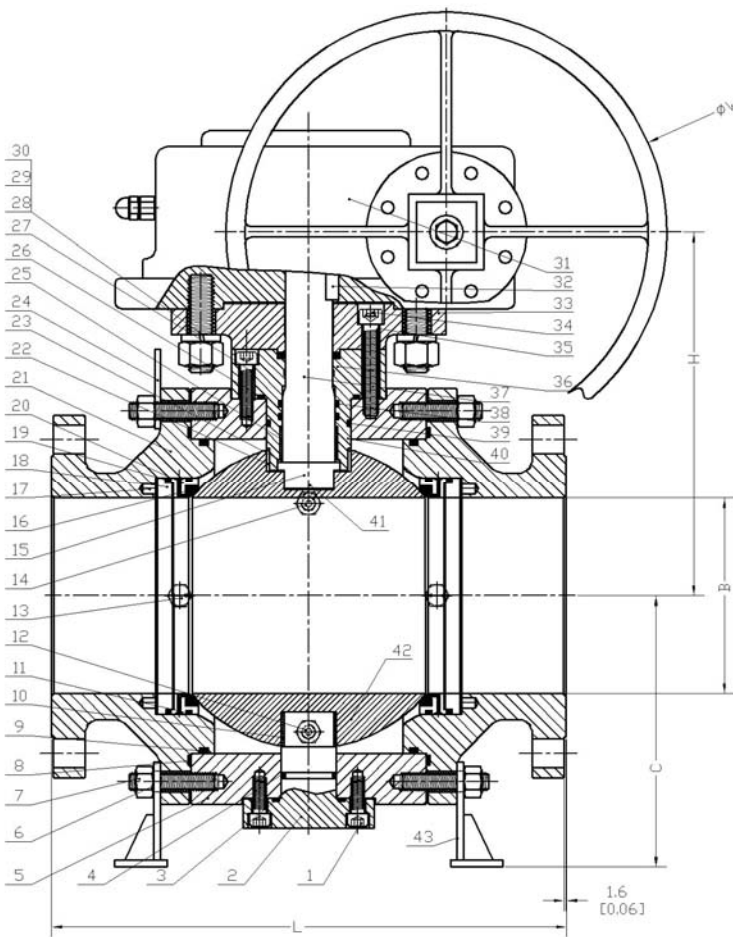
PRESSURE CLASS:

FLANGED – 150

CONNECTIONS:

FLANGED – ASME
B16.5

ASME B16.10



NOTE:
COMPONENTS MAY CHANGE ACCORDING TO VALVE SIZE.
CONTACT BERIC FOR CERTIFIED DRAWINGS.
ADDITIONAL VALVE BODY AND TRIM MATERIALS
AVAILABLE.

MATERIAL SPECIFICATIONS				
NO.	Part Name	Carbon Steel/304	Stainless Steel/316	LF2/304
1	Screw	A193 Gr. B7	A193 Gr. B8	A193 Gr. B7
2	Bottom Cover	A105N/ENP	A182 Gr. F316	A350 Gr. LF2
3	Gasket	304/Graphite	316/Graphite	304/Graphite
4	O-Ring	Viton	Viton	Viton
5	Body	A105N	A182 Gr. F316	A350 Gr. LF2
6	Nut	A194 Gr. 2H	A194 Gr. 8M	A194 Gr. 4
7	Body Stud	A193 Gr. B7	A193 Gr. B8	A193 Gr. L7M
8	Gasket	304/Graphite	316/Graphite	304/Graphite
9	O-Ring	Viton	Viton	Viton
10	Bearing	316/PTFE	316/PTFE	316/PTFE
11	O-Ring	Viton	Viton	Viton
12	Drain Valve	Carbon Steel	316 SST	Carbon Steel
13	Grease Fitting	Carbon Steel	316 SST	Carbon Steel
14	Vent Valve	Carbon Steel	316 SST	Carbon Steel
15	Stem	A182 Gr. F304	A182 Gr. F316	A182 Gr. F304
16	Seat	PTFE	PTE	PTFE
17	Spring	Inconel X-750	Inconel X-750	Inconel X-750
18	Pressure Plate	A182 Gr. F304	A182 Gr. F316	A182 Gr. F304
19	Seal Ring	Graphite	Graphite	Graphite
20	Seat Holder	A182 Gr. F304	A182 Gr. F316	A182 Gr. F304
21	Retainer	A105N	A182 Gr. F316	A350 Gr. LF2
22	Bearing	316/PTFE	316/PTFE	316/PTFE
23	Washer	PTFE	PTE	PTFE
24	Lifting Eye	Carbon Steel	316 SST	Carbon Steel
25	Bearing	316/PTFE	316/PTFE	316/PTFE
26	Gasket	304/Graphite	316/Graphite	316/Graphite
27	Screw	A193 Gr. B7	A193 Gr. B8	A193 Gr. B7
28	Nut	A194 Gr. 2H	A194 Gr. 8M	A194 Gr. 2H
29	Bolt	A193 Gr. B7	A193 Gr. B8	A193 Gr. B7
30	Spring Washer	AISI 1066	AISI 316	ASI 1066
31	Gear Operator			
32	Key	1045	1045	1045
33	Stop Pad	A105N	A182 Gr. F316	A105N
34	Straight Pin	304	316	316
35	Screw	A193 Gr. B7	A193 Gr. B8	A193 Gr. B7
36	Packing	Graphite	Graphite	Graphite
37	Grease Fitting	316 SST	316 SST	316 SST
38	O-Ring	Viton	Viton	Viton
39	O-Ring	Viton	Viton	Viton
40	Stem Retainer	A105N	A182 Gr. F316	A350 Gr. LF2
41	Anti-Static Device	SS316	SS316	SS316
42	Ball	A182 Gr. F304	A182 Gr. F316	A182 Gr. F304
43	Support Foot	ASTM A570	ASTM A570	ASTM A570

DIMENSIONS							
SIZE		L	B	C	H	W	Weight Lbs/Kg
2	Inch	7.00	1.97	3.94	7.09	10.63	66.1
	mm	178	50.0	100.0	180.0	270.0	30
3	Inch	8.00	3.00	5.10	7.90	10.63	110.2
	mm	203	76.0	130	200	270.0	50
4	Inch	9.00	3.94	6.06	9.96	17.72	216.0
	mm	229	100.1	154.0	253.0	450.0	98
6	Inch	15.50	5.91	8.00	20.55	GO	447.5
	mm	394	150	203.3	522.0	GO	203
8	Inch	18.00	7.94	9.10	13.40	GO	637.1
	mm	457	201.0	230	340	GO	289
10	Inch	21.00	9.92	12.02	28.92	GO	992.1
	mm	533	252.0	305.3	734.6	GO	450
12	Inch	24.00	11.93	13.99	24.00	GO	1296.3
	mm	610	303.0	355.3	609.4	GO	588

8F3 Series Cast Steel Ball Valve Full Port - Trunnion Mount

STANDARDS

DESIGN:

API 6D, API 608
API 607/API 6FA
ASME B16.34

PRESSURE CLASS:

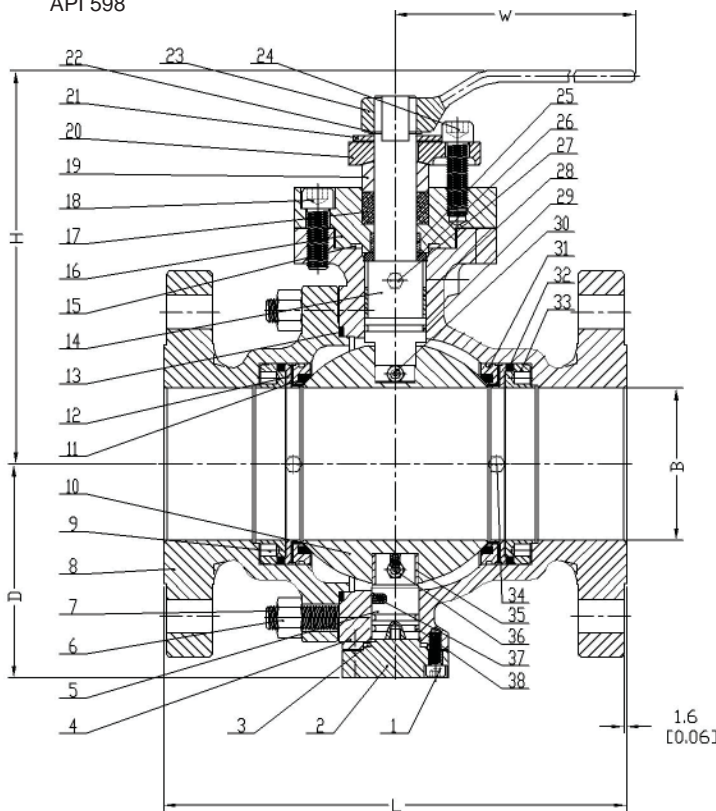
FLANGED - 300

TESTING:

API 598

CONNECTIONS:

FLANGED - ASME B16.5
ASME B16.10



SIZE	DIMENSIONS						Weight Lbs/Kg
		L	B	D	H	W	
2	Inch	8.50	1.97	4.33	7.50	10.62	70.5
	mm	216	50	110	190	270	32
3	Inch	11.12	2.97	5.10	7.90	11.80	114.6
	mm	282	75	130	200	300	52
4	Inch	12.00	3.94	5.50	10.19	16.5	213.8
	mm	305	100	140	259	420	97
6	Inch	15.87	5.94	7.40	13.75	GO	463.0
	mm	403	150.9	188	348	GO	210
8	Inch	18.00	7.94	10.24	17.00	GO	710.0
	mm	502	201.7	260	432	GO	322
10	Inch	22.38	19.93	11.35	23.15	GO	1179.5
	mm	568	252	288	588	GO	535
12	Inch	25.50	12.00	4.58	27.00	GO	1708.6
	mm	648	305	370	685	GO	775

MATERIAL SPECIFICATIONS				
NO.	Part Name	Carbon Steel/304	Stainless Steel/316	LCC/304
1	Screw	A193 Gr. B7m	A193 Gr. B8	A193 Gr. B7M
2	Cap	A105	A182 Gr. F316	A105
3	Spiral Wound Gasket	304/Graphite	316/Graphite	304/Graphite
4	Body	A216 Gr. WCB	A 351 Gr. CF8M	A351 Gr. LCC
5	Bottom Stem	A276 Gr. F304	A276 Gr. F316	A276 Gr. F304
6	Body Nut	A194 Gr. 2HM	A194 Gr. 8M	A194 Gr. 4
7	Body Stud	A193 Gr. B7M	A193 Gr. B8	A193 Gr. L7M
8	Retainer	A216 Gr. WCB	A 351 Gr. CF8M	A351 Gr. LCC
9	Spring	Inconel X-750	Inconel X-750	Inconel X-750
10	Ball	A276 Gr. 304	A276 Gr. 316	A276 Gr. 304
11	Seat	P.T.F.E.	P.T.F.E.	P.T.F.E.
12	Seat Holder	A276 Gr. 304	A276 Gr. 316	A276 Gr. 304
13	Spiral Wound Gasket	316/Graphite	316/Graphite	316/Graphite
14	Stem	A276 Gr. F304	A276 Gr. F316	A276 Gr. F304
15	Spiral Wound Gasket	304/Graphite	316/Graphite	304/Graphite
16	Packing Chamber	A105	A182 Gr. F316	A351 Gr. LCC
17	Packing	Graphite	Graphite	Graphite
18	Screw	A193 Gr. B7m	A193 Gr. B8	A193 Gr. B7M
19	Gland	A276 Gr. 304	A276 Gr. 316	A276 Gr. 304
20	Gland Flange	A216 Gr. WCB	A216 Gr. WCB	A216 Gr. WCB
21	Stop Plate	A570 Gr. A	A570 Gr. A	A570 Gr. A
22	Washer	AISI 1066	AISI 1066	AISI 1066
23	Lever	A216 Gr. WCB	A216 Gr. WCB	A216 Gr. WCB
24	Screw	A193 Gr. B7m	A193 Gr. B8	A193 Gr. B7M
25	Bearing	316 SS/PTFE	316 SS/PTFE	316 SS/PTFE
26	Washer	A276 Gr. 316	A276 Gr. 316	A276 Gr. 316
27	Grease Fitting	Carbon Steel	316 SS	Carbon Steel
28	Bearing	316 SS/PTFE	316 SS/PTFE	316 SS/PTFE
29	O-RING	Viton	Viton	Viton
30	Vent Valve	Carbon Steel	316 SS	Carbon Steel
31	O-RING	Viton	Viton	Viton
32	Seal Ring	Graphite	Graphite	Graphite
33	Pressure Ring	A276 Gr. 304	A276 Gr. 316	A276 Gr. 304
34	Grease Fitting	Carbon Steel	316 SS	Carbon Steel
35	Bearing	316 SS/PTFE	316 SS/PTFE	316 SS/PTFE
36	Purge Valve	Carbon Steel	316 SS	Carbon Steel
37	Anti-Static Device	316 SS	316 SS	316 SS
38	O-RING	Viton	Viton	Viton

NOTE:

COMPONENTS MAY CHANGE ACCORDING TO VALVE SIZE.
CONTACT BERIC FOR CERTIFIED DRAWINGS.

ADDITIONAL VALVE BODY AND TRIM MATERIALS AVAILABLE.

8F3 Series Forged Steel Ball Valve Full Port - Trunnion Mount

STANDARDS

DESIGN:

API 6D, API 608
API 607/API 6FA
ASME B16.34

PRESSURE CLASS:

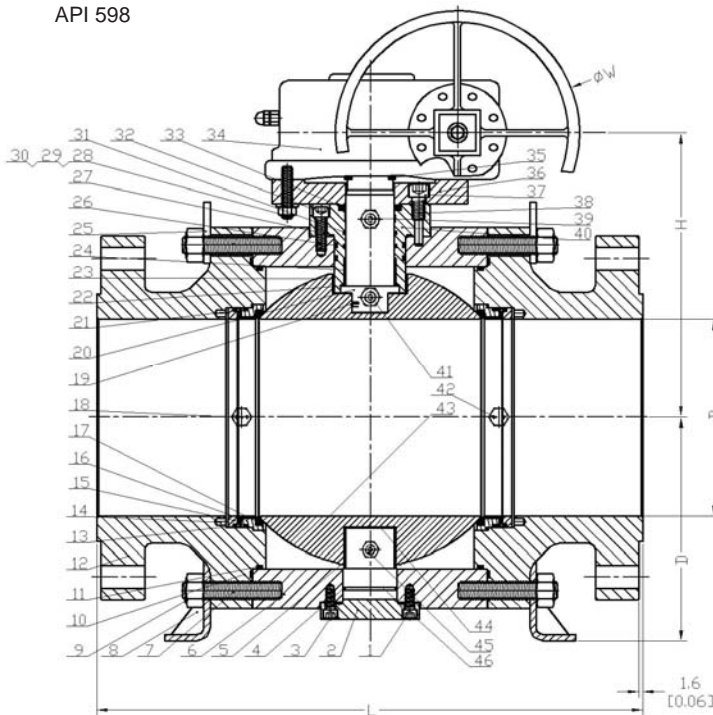
FLANGED - 300

TESTING:

API 598

CONNECTIONS:

FLANGED - ASME B16.5
ASME B16.10



SIZE	DIMENSIONS						Weight Lbs/Kg
		L	B	D	H	W	
2	Inch	8.50	1.97	4.33	7.50	10.62	70.5
	mm	216	50	110	190	270	32
3	Inch	11.12	2.97	5.10	7.90	11.80	114.6
	mm	282	75	130	200	300	52
4	Inch	12.00	3.94	5.50	10.19	16.5	213.8
	mm	305	100	140	259	420	97
6	Inch	15.87	5.94	7.40	13.75	GO	463.0
	mm	403	150.9	188	348	GO	210
8	Inch	18.00	7.94	10.24	17.00	GO	710.0
	mm	502	201.7	260	432	GO	322
10	Inch	22.38	19.93	11.35	23.15	GO	1179.5
	mm	568	252	288	588	GO	535
12	Inch	25.50	12.00	4.58	27.00	GO	1708.6
	mm	648	305	370	685	GO	775

MATERIAL SPECIFICATIONS				
NO.	Part Name	Carbon Steel/304	Stainless Steel/316	LF2/304
1	Screw	A193 Gr. B7	A193 Gr. B8	A193 Gr. B7
2	Bottom Cover	A105N/ENP	A182 Gr. F316	A350 Gr. LF2
3	Gasket	304/Graphite	316/Graphite	304/Graphite
4	O-Ring	Viton	Viton	Viton
5	Body	A105N	A182 Gr. F316	A350 Gr. LF2
6	Nut	A194 Gr. 2H	A194 Gr. 8M	A194 Gr. 4
7	Body Stud	A193 Gr. B7	A193 Gr. B8	A193 Gr. L7M
8	Gasket	304/Graphite	316/Graphite	304/Graphite
9	O-Ring	Viton	Viton	Viton
10	Bearing	316/PTFE	316/PTFE	316/PTFE
11	O-Ring	Viton	Viton	Viton
12	Drain Valve	Carbon Steel	316 SST	Carbon Steel
13	Grease Fitting	Carbon Steel	316 SST	Carbon Steel
14	Vent Valve	Carbon Steel	316 SST	Carbon Steel
15	Stem	A182 Gr. F304	A182 Gr. F316	A182 Gr. F304
16	Seat	PTFE	PTE	PTFE
17	Spring	Inconel X-750	Inconel X-750	Inconel X-750
18	Pressure Plate	A182 Gr. F304	A182 Gr. F316	A182 Gr. F304
19	Seal Ring	Graphite	Graphite	Graphite
20	Seat Holder	A182 Gr. F304	A182 Gr. F316	A182 Gr. F304
21	Retainer	A105N	A182 Gr. F316	A350 Gr. LF2
22	Bearing	316/PTFE	316/PTFE	316/PTFE
23	Washer	PTFE	PTE	PTFE
24	Lifting Eye	Carbon Steel	316 SST	Carbon Steel
25	Bearing	316/PTFE	316/PTFE	316/PTFE
26	Gasket	304/Graphite	316/Graphite	316/Graphite
27	Screw	A193 Gr. B7	A193 Gr. B8	A193 Gr. B7
28	Nut	A194 Gr. 2H	A194 Gr. 8M	A194 Gr. 2H
29	Bolt	A193 Gr. B7	A193 Gr. B8	A193 Gr. B7
30	Spring Washer	AISI 1066	AISI 316	ASI 1066
31	Gear Operator			
32	Key	1045	1045	1045
33	Stop Pad	A105N	A182 Gr. F316	A105N
34	Straight Pin	304	316	304
35	Screw	A193 Gr. B7	A193 Gr. B8	A193 Gr. B7
36	Packing	Graphite	Graphite	Graphite
37	Grease Fitting	316 SST	316 SST	316 SST
38	O-Ring	Viton	Viton	Viton
39	O-Ring	Viton	Viton	Viton
40	Stem Retainer	A105N	A182 Gr. F316	A350 Gr. LF2
41	Anti-Static Device	SS316	SS316	SS316
42	Ball	A182 Gr. F304	A182 Gr. F316	A182 Gr. F304
43	Support Foot	ASTM A570	ASTM A570	ASTM A570

NOTE:

COMPONENTS MAY CHANGE ACCORDING TO VALVE SIZE.
CONTACT BERIC FOR CERTIFIED DRAWINGS.

ADDITIONAL VALVE BODY AND TRIM MATERIALS AVAILABLE.

8F6 Series Cast Steel Ball Valve Full Port - Trunnion Mount

STANDARDS

DESIGN:

API 6D, API 608
API 607/API 6FA
ASME B16.34

PRESSURE CLASS:

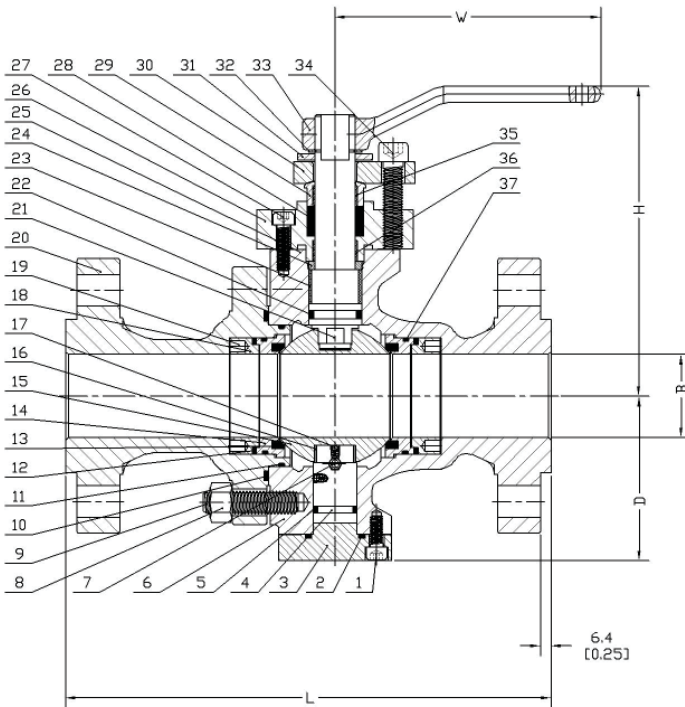
FLANGED - 600

TESTING:

API 598

CONNECTIONS:

FLANGED - ASME B16.5
ASME B16.10



SIZE	DIMENSIONS						Weight Lbs/Kg
	L	B	D	H	W		
2	Inch	11.50	1.97	3.89	7.34	10.50	70.5
	mm	292	50	99	186.4	267	32
4	Inch	17.00	3.94	7.22	12.06	21.38	233.7
	mm	432	100	183	306.0	543	106
6	Inch	22.0	5.91	8.25	18.00	GO	573.2
	mm	559	150	208	457.6	GO	260
8	Inch	26.0	7.91	10.43	19.68	GO	1047.2
	mm	660	201	265	499	GO	475

NO.	Part Name	MATERIAL SPECIFICATIONS		
		Carbon Steel/304	Stainless Steel/316	LCC/304
1	Screw	A193 Gr. B7M	A193 Gr. B8	A193 Gr. B7M
2	Spiral Wound Gasket	304/Graphite	316/Graphite	316/Graphite
3	Cap	A105	A182 Gr. F316	A105
4	Bottom Stem	A276 Gr. F304	A276 Gr. F316	A276 Gr. F304
5	O-RING	Viton	Viton	Viton
6	Body	A216 Gr. WCB	A 351 Gr. CF8M	A351 Gr. LCC
7	Drain Plug	Carbon Steel	316 SS	Carbon Steel
8	Body Nut	A194 Gr. 2HM	A194 Gr. 8M	A194 Gr. 4
9	Body Stud	A193 Gr. B7M	A193 Gr. B8	A193 Gr. L7M
10	Spiral Wound Gasket	304/Graphite	316/Graphite	304/Graphite
11	O-RING	Viton	Viton	Viton
12	Seal Ring	Graphite	Graphite	Graphite
13	Seat	Nylon	Nylon	Nylon
14	Seat Holder	A276 Gr. F304	A276 Gr. F316	A276 Gr. F304
15	Ball	A276 Gr. 304	A276 Gr. 316	A276 Gr. 304
16	Bearing	316/P.T.F.E.	316/P.T.F.E.	316/P.T.F.E.
17	Anti-Static Device	316 SS	316 SS	316 SS
18	Pressure Ring	A276 Gr. 304	A276 Gr. 316	A276 Gr. 304
19	Spring	Inconel X-750	Inconel X-750	Inconel X-750
20	Retainer	A216 Gr. WCB	A 351 Gr. CF8M	A351 Gr. LCC
21	Stem	A276 Gr. F304	A276 Gr. F316	A276 Gr. F304
22	O-RING	Viton	Viton	Viton
23	Bearing	316/P.T.F.E.	316/P.T.F.E.	316/P.T.F.E.
24	Washer	A276 Gr. F304	A276 Gr. F316	A276 Gr. F304
25	Spiral Wound Gasket	316/Graphite	316/Graphite	304/Graphite
26	Packing Chamber	A105	A182 Gr. F316	A105
27	Screw	A193 Gr. B7M	A193 Gr. B8	A193 Gr. B7M
28	Packing	Graphite	Graphite	Graphite
29	Gland	A276 Gr. 304	A276 Gr. 316	A276 Gr. 304
30	Gland Flange	A216 Gr. WCB	A216 Gr. WCB	A216 Gr. WCB
31	Stop Plate	A570 Gr. A	A570 Gr. A	A570 Gr. A
32	Washer	AISI 1066	AISI 1066	AISI 1066
33	Lever	A216 Gr. WCB	A216 Gr. WCB	A216 Gr. WCB
34	Screw	A193 Gr. B7M	A193 Gr. B8	A193 Gr. B7M
35	Bearing	316 SS/PTFE	316 SS/PTFE	316 SS/PTFE
36	Bearing	316/P.T.F.E.	316/P.T.F.E.	316/P.T.F.E.
37	O-RING	Viton	Viton	Viton

NOTE:

COMPONENTS MAY CHANGE ACCORDING TO VALVE SIZE.
CONTACT BERIC FOR CERTIFIED DRAWINGS.

ADDITIONAL VALVE BODY AND TRIM MATERIALS AVAILABLE.

8F6 Series Forged Steel Ball Valve

Full Port - Trunnion Mount

STANDARDS

DESIGN:

API 6D, API 608
API 607/API 6FA
ASME B16.34

TESTING:

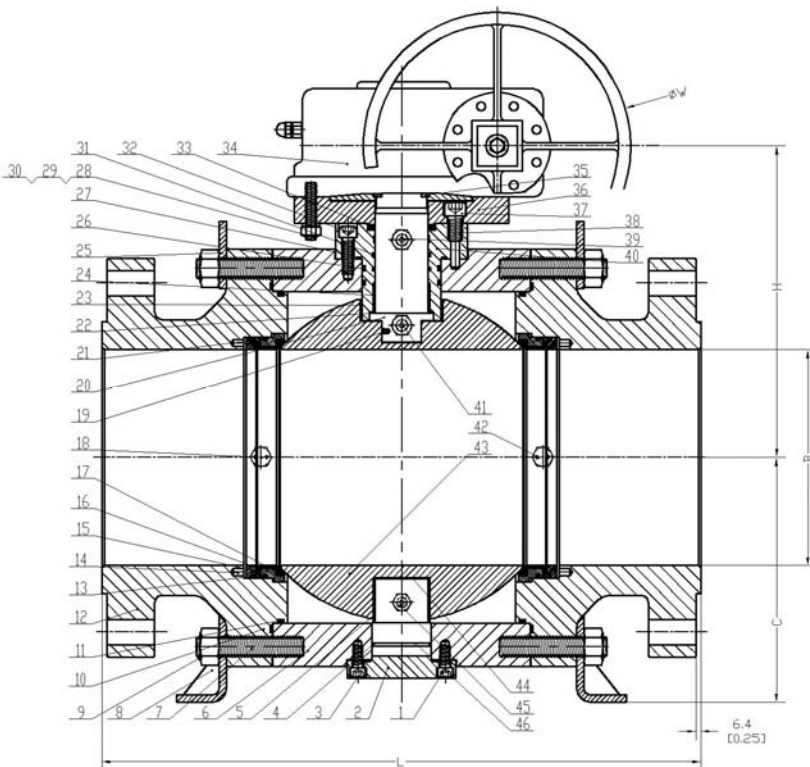
API 598

PRESSURE CLASS:

FLANGED - 600

CONNECTIONS:

FLANGED - ASME B16.5
ASME B16.10



SIZE	DIMENSIONS					Weight Lbs/Kg
		L	B	C	H	
2	Inch	11.50	1.97	4.41	6.12	
	mm	292.0	50.0	112.0	155.0	
3	Inch	14.37	3.00	5.71	8.09	
	mm	356.0	76.0	145.0	205.0	
4	Inch	17.00	3.94	6.31	9.45	
	mm	432.0	100.0	160.0	240.0	
6	Inch	22.0	5.91	7.87	9.41	
	mm	559.0	150.0	200.0	239.0	
8	Inch	26.0	7.91	11.81	14.33	
	mm	660.0	201.0	300.0	364.0	
10	Inch	31.00	9.92	12.80	16.56	
	mm	787.0	252.0	325.0	420.0	
12	Inch	33.00	11.93	13.94	18.68	
	mm	838.0	303.0	354.0	474.0	
14	Inch	35.00	13.26	17.00	19.69	
	mm	889.0	337.0	432.0	500.0	
16	Inch	39.00	15.16	17.32	21.03	
	mm	991.0	385.0	440.0	534.0	

MATERIAL SPECIFICATIONS

NO.	Part Name	Carbon Steel/304	Stainless Steel/316	LF2/304
1	Screw	A193 Gr. B7	A193 Gr. B8	A193 Gr. B7
2	Bottom Cover	A105N/ENP	A182 Gr. F316	A350 Gr. LF2
3	Gasket	304/Graphite	316/Graphite	304/Graphite
4	O-Ring	Viton	Viton	Viton
5	Bearing	316/PTFE	316/PTFE	316/PTFE
6	Body	A105N	A182 Gr. F316	A350 Gr. LF2
7	Body Stud	A193 Gr. B7	A193 Gr. B8	A193 Gr. L7M
8	Support Foot	ASTM A570	ASTM A570	ASTM A570
9	Nut	A194 Gr. 2H	A194 Gr. 8M	A194 Gr. 4
10	Gasket	304/Graphite	316/Graphite	316/Graphite
11	O-Ring	Viton	Viton	Viton
12	Retainer	A105N	A182 Gr. F316	A350 Gr. LF2
13	Seal Ring	Graphite	Graphite	Graphite
14	Spring	Inconel X-750	Inconel X-750	Inconel X-750
15	Pressure Plate	A182 Gr. F304	A182 Gr. F316	A182 Gr. F304
16	Seat Holder	A182 Gr. F304	A182 Gr. F316	A182 Gr. F304
17	Seat	PTFE	PTE	PTFE
18	Grease Fitting	Carbon Steel	316 SST	Carbon Steel
19	Anti-Static Device	SS316	SS316	SS316
20	Stem	A182 Gr. F304	A182 Gr. F316	A182 Gr. F304
21	O-Ring	Viton	Viton	Viton
22	Gasket	PTFE	PTE	PTFE
23	Bearing	316/PTFE	316/PTFE	316/PTFE
24	Bearing	316/PTFE	316/PTFE	316/PTFE
25	Lifting Eye	Carbon Steel	316 SST	Carbon Steel
26	O-Ring	Viton	Viton	Viton
27	Gasket	304/Graphite	316/Graphite	304/Graphite
28	Bolt	A193 Gr. B7	A193 Gr. B8	A193 Gr. L7M
29	Lock Washer	AISI 1066	AISI 316	ASI 1066
30	Nut	A194 Gr. 2H	A194 Gr. 8M	A194 Gr. 2H
31	O-Ring	Viton	Viton	Viton
32	Screw	A193 Gr. B7	A193 Gr. B8	A193 Gr. B7
33	Packing	Graphite	Graphite	Graphite
34	Gear Operator			
35	Key	1045	1045	1045
36	Mounting Plate	A105N	A182 Gr. F316	A350 Gr. LF2
37	Screw	A193 Gr. B7	A193 Gr. B8	A193 Gr. B7
38	Straight Pin	304	316	304
39	Grease Fitting	Carbon Steel	316 SST	Carbon Steel
40	Stem Retainer	A105N/ENP	A182 Gr. F316	A350 Gr. LF2
41	Vent Valve	Carbon Steel	316 SST	Carbon Steel
42	Check Valve	Carbon Steel	316 SST	Carbon Steel
43	Ball	A182 Gr. F304	A182 Gr. F316	A182 Gr. F304
44	Gasket	PTFE	PTE	PTFE
45	Relief Valve	Carbon Steel	316 SST	Carbon Steel
46	Lower Stem	A182 Gr. F304	A182 Gr. F316	A182 Gr. F304

NOTE:
COMPONENTS MAY CHANGE ACCORDING TO VALVE SIZE.
CONTACT BERIC FOR CERTIFIED DRAWINGS.

ADDITIONAL VALVE BODY AND TRIM MATERIALS AVAILABLE.

8F9 Series Forged Steel Ball Valve Full Port - Trunnion Mount

STANDARDS

DESIGN:

API 6D, API 608
API 607/API 6FA
ASME B16.34

PRESSURE CLASS:

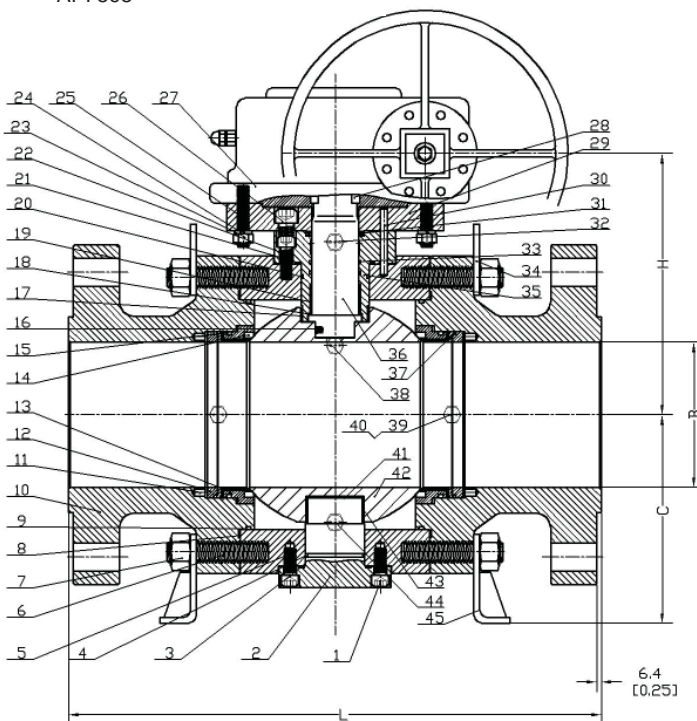
FLANGED - 900

TESTING:

API 598

CONNECTIONS:

FLANGED - ASME B16.5
ASME B16.10



DIMENSIONS						
SIZE		L	B	C	H	Weight Lbs/Kg
2	Inch	14.50	1.93	4.30	6.93	
	mm	368.0	49.0	109.0	176.0	
3	Inch	15.00	3.00	4.90	8.11	
	mm	381.0	76.0	124.5	206.0	
4	Inch	18.00	3.94	6.14	9.84	
	mm	457.0	100.0	156.0	250.0	
6	Inch	24.00	5.91	7.68	12.36	
	mm	610.0	150.0	195.0	314.0	
8	Inch	29.00	7.91	11.36	14.25	
	mm	737.0	201.0	288.5	362.0	
10	Inch	33.00	9.84	14.53	16.25	
	mm	838.0	250.0	369.0	412.0	
12	Inch	38.00	11.93	12.84	18.19	
	mm	965.0	303.0	326.0	462.0	
14	Inch	40.50	12.68	13.70	19.68	
	mm	1029.0	322.0	348.0	500.0	
16	Inch	44.50	14.69	16.54	23.23	
	mm	1130.0	373.0	420.0	590.0	

MATERIAL SPECIFICATIONS				
NO.	Part Name	Carbon Steel/304	Stainless Steel/316	LF2/304
1	Screw	A193 Gr. B7	A193 Gr. B8M	A193 Gr. L7
2	Lower Stem	A182 Gr. F304	A182 Gr. F316	A182 Gr. F304
3	Gasket	304/Graphite	316/Graphite	304/Graphite
4	O-Ring	Viton	Viton	Viton
5	Body	A105N	A182 Gr. F316	A350 Gr. LF2
6	Body Stud	A193 Gr. B7	A193 Gr. B8	A193 Gr. L7M
7	Nut	A194 Gr. 2H	A194 Gr. 8M	A194 Gr. 4
8	Gasket	304/Graphite	316/Graphite	304/Graphite
9	O-Ring	Viton	Viton	Viton
10	Retainer	A105N	A182 Gr. F316	A350 Gr. LF2
11	Spring	Inconel X-750	Inconel X-750	Inconel X-750
12	Pressure Plate	A182 Gr. F304L	A182 Gr. F316	A182 Gr. F304L
13	Seat Ring	A182 Gr. F304L	A182 Gr. F316	A182 Gr. F304L
14	Seat	Devlon	Devlon	Devlon
15	O-Ring	Viton	Viton	Viton
16	Antistatic Device	SS316	SS316	SS316
17	Bearing	304/PTFE	316/PTFE	316/PTFE
18	Gasket	304/Graphite	316/Graphite	304/Graphite
19	Bearing	304/PTFE	316/PTFE	304/PTFE
20	O-Ring	Viton	Viton	Viton
21	Gasket	304/Graphite	316/Graphite	304/Graphite
22	Screw	A193 Gr. B7	A193 Gr. 8M	A193 Gr. L7M
23	Screw	A193 Gr. B7	A193 Gr. 8M	A193 Gr. L7M
24	Lock Washer	AISI 1566	AISI 1566	AISI 1566
25	Bolt	A193 Gr. B7	A193 Gr. 8M	A193 Gr. L7M
26	Screw	A193 Gr. B7	A193 Gr. 8M	A193 Gr. L7M
27	Gear Operator			
28	Key	1045	1045	1045
29	Mounting Plate	A105N	A182 Gr. F316	A350 Gr. LF2
30	Stop Pin	SS304	316 SST	SS304
31	Seal Ring	Graphite	Graphite	Graphite
32	Grease Fitting	316 SST	316 SST	316 SST
33	O-Ring	Viton	Viton	Viton
34	Lifting Eye	Carbon Steel	316 SST	Carbon Steel
35	Stem Retainer	A105N	A182 Gr. F316	A350 Gr. LF2
36	Stem	A182 Gr. F304	A182 Gr. F316	A182 Gr. F304
37	Seal Ring	Graphite	Graphite	Graphite
38	Vent Valve	SS304	316 SST	SS304
39	Grease Fitting	316 SST	316 SST	316 SST
40	Check Valve	SS304	SS316	SS316
41	Bearing	304/PTFE	316/PTFE	304/PTFE
42	Ball	A182 Gr. F304	A182 Gr. F316	A182 Gr. F304
43	Bearing	304/PTFE	316/PTFE	304/PTFE
44	Vent Valve	SS304	316 SST	SS304
45	Support Foot	ASTM A570	ASTM A570	ASTM A570

NOTE:

COMPONENTS MAY CHANGE ACCORDING TO VALVE SIZE.
CONTACT BERIC FOR CERTIFIED DRAWINGS.

ADDITIONAL VALVE BODY AND TRIM MATERIALS AVAILABLE.

8F15 Series Forged Steel Ball Valve Full Port - Trunnion Mount

STANDARDS

DESIGN:

API 6D, API 608
API 607/API 6FA
ASME B16.34

PRESSURE CLASS:

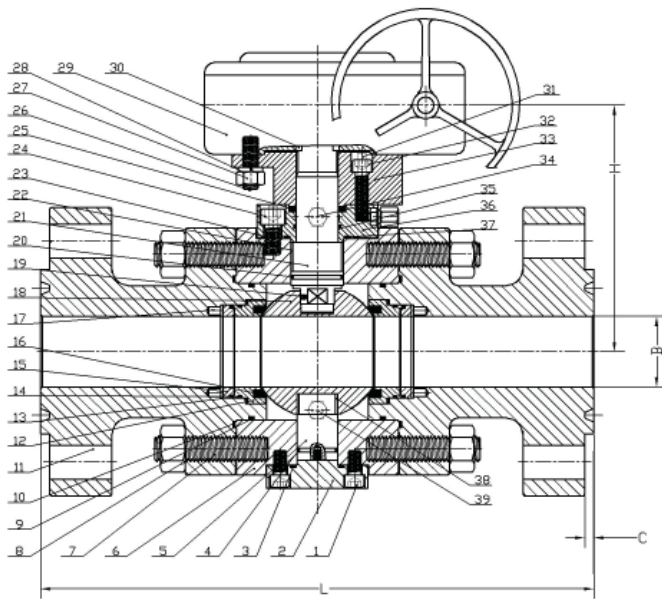
FLANGED - 1500

TESTING:

API 598

CONNECTIONS:

FLANGED - ASME B16.5
ASME B16.10



SIZE	DIMENSIONS					Weight Lbs/Kg
		L	B	C	H	
2	Inch	14.56	1.93	0.31	6.93	
	mm	370.0	49.0	7.92	176.0	
3	Inch	18.63	3.00	0.31	8.86	
	mm	473.0	76.0	7.92	225.0	
4	Inch	21.63	3.94	0.31	9.56	
	mm	549.0	100.0	7.92	243.0	
6	Inch	28.00	5.75	0.37	12.36	
	mm	711.0	146.0	9.52	314.0	
8	Inch	33.12	7.56	0.43	14.96	
	mm	841.0	192.0	11.13	380.0	
10	Inch	39.37	9.41	0.43	18.12	
	mm	1000.0	239.0	11.13	460.0	
12	Inch	45.12	11.30	0.56	20.00	
	mm	1146.0	287.0	14.27	508.0	
14	Inch	50.25	12.40	0.63	23.70	
	mm	1276.0	315.0	15.88	602.0	
16	Inch	55.38	14.18	0.68	24.80	
	mm	1407.0	360.0	17.48	630.0	

MATERIAL SPECIFICATIONS				
NO.	Part Name	Carbon Steel/304	Stainless Steel/316	LF2/304
1	Screw	A193 Gr. B7	A193 Gr. B8	A193 Gr. B7
2	Bottom Cover	A105N/ENP	A182 Gr. F316	A350 Gr. LF2
3	Gasket	304/Graphite	316/Graphite	304/Graphite
4	O-Ring	Viton	Viton	Viton
5	Body	A105N	A182 Gr. F316	A350 Gr. LF2
6	Nut	A194 Gr. 2H	A194 Gr. 8M	A194 Gr. 4
7	Body Stud	A193 Gr. B7	A193 Gr. B8	A193 Gr. L7M
8	Gasket	304/Graphite	316/Graphite	304/Graphite
9	O-Ring	Viton	Viton	Viton
10	Bearing	316/PTFE	316/PTFE	316/PTFE
11	O-Ring	Viton	Viton	Viton
12	Drain Valve	Carbon Steel	316 SST	Carbon Steel
13	Grease Fitting	Carbon Steel	316 SST	Carbon Steel
14	Vent Valve	Carbon Steel	316 SST	Carbon Steel
15	Stem	A182 Gr. F304	A182 Gr. F316	A182 Gr. F304
16	Seat	PTFE	PTE	PTFE
17	Spring	Inconel X-750	Inconel X-750	Inconel X-750
18	Pressure Plate	A182 Gr. F304	A182 Gr. F316	A182 Gr. F304
19	Seal Ring	Graphite	Graphite	Graphite
20	Seat Holder	A182 Gr. F304	A182 Gr. F316	A182 Gr. F304
21	Retainer	A105N	A182 Gr. F316	A350 Gr. LF2
22	Bearing	316/PTFE	316/PTFE	316/PTFE
23	Washer	PTFE	PTE	PTFE
24	Lifting Eye	Carbon Steel	316 SST	Carbon Steel
25	Bearing	316/PTFE	316/PTFE	316/PTFE
26	Gasket	304/Graphite	316/Graphite	316/Graphite
27	Screw	A193 Gr. B7	A193 Gr. B8	A193 Gr. B7
28	Nut	A194 Gr. 2H	A194 Gr. 8M	A194 Gr. 2H
29	Bolt	A193 Gr. B7	A193 Gr. B8	A193 Gr. B7
30	Spring Washer	AISI 1066	AISI 316	ASI 1066
31	Gear Operator			
32	Key	1045	1045	1045
33	Stop Pad	A105N	A182 Gr. F316	A105N
34	Straight Pin	304	316	316
35	Screw	A193 Gr. B7	A193 Gr. B8	A193 Gr. B7
36	Packing	Graphite	Graphite	Graphite
37	Grease Fitting	316 SST	316 SST	316 SST
38	O-Ring	Viton	Viton	Viton
39	O-Ring	Viton	Viton	Viton
40	Stem Retainer	A105N	A182 Gr. F316	A350 Gr. LF2
41	Anti-Static Device	SS316	SS316	SS316
42	Ball	A182 Gr. F304	A182 Gr. F316	A182 Gr. F304
43	Support Foot	ASTM A570	ASTM A570	ASTM A570

NOTE:
COMPONENTS MAY CHANGE ACCORDING TO VALVE SIZE.
CONTACT BERIC FOR CERTIFIED DRAWINGS.

ADDITIONAL VALVE BODY AND TRIM MATERIALS AVAILABLE.

8F25 Series Forged Steel Ball Valve Full Port - Trunnion Mount

STANDARDS

DESIGN:

API 6D, API 608
API 607/API 6FA
ASME B16.34

TESTING:

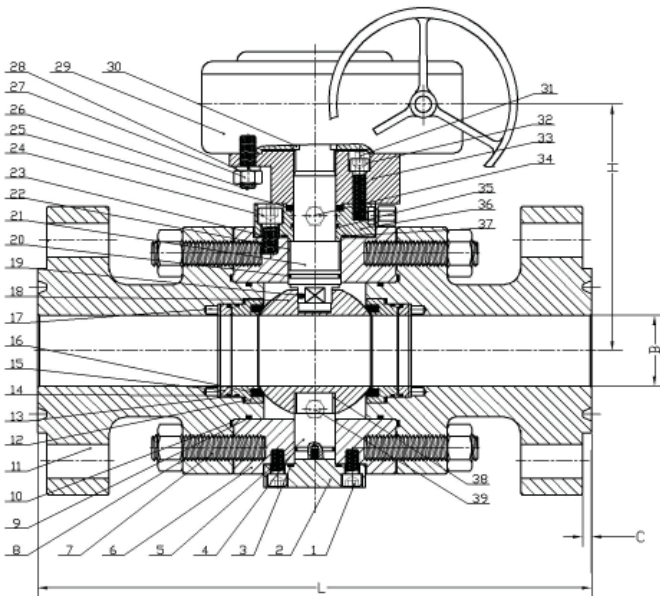
API 598

PRESSURE CLASS:

FLANGED – 2500

CONNECTIONS:

FLANGED – ASME B16.5
ASME B16.10



SIZE	DIMENSIONS					Weight Lbs/Kg
		L	B	C	H	
2	Inch	17.87	1.65	0.31	7.16	
	mm	454.0	42.0	7.92	182.0	
3	Inch	23.00	2.44	0.37	9.37	
	mm	584.0	62.0	9.52	238.0	
4	Inch	26.89	3.43	0.44	12.00	
	mm	683.0	87.0	11.1	304.5	
6	Inch	36.50	5.16	0.50	13.94	
	mm	927.0	131.0	12.7	354.0	

MATERIAL SPECIFICATIONS				
NO.	Part Name	Carbon Steel/304	Stainless Steel/316	LCC/304
1	Screw	A193 Gr. B7M	A193 Gr. B8	A193 Gr. B7M
2	Spiral Wound Gasket	304/Graphite	316/Graphite	304/Graphite
3	Cap	A105	A182 Gr. F316	A105
4	Bottom Stem	A276 Gr. F304	A276 Gr. F316	A276 Gr. F304
5	O-RING	Viton	Viton	Viton
6	Body	A216 Gr. WCB	A 351 Gr. CF8M	A351 Gr. LCC
7	Drain Plug	Carbon Steel	316 SS	Carbon Steel
8	Body Nut	A194 Gr. 2HM	A194 Gr. 8M	A194 Gr. 4
9	Body Stud	A193 Gr. B7M	A193 Gr. B8	A193 Gr. L7M
10	Spiral Wound Gasket	304/Graphite	316/Graphite	304/Graphite
11	O-RING	Viton	Viton	Viton
12	Seal Ring	Graphite	Graphite	Graphite
13	Seat	Nylon	Nylon	Nylon
14	Seat Holder	A276 Gr. F304	A276 Gr. F316	A276 Gr. F304
15	Ball	A276 Gr. 304	A276 Gr. 316	A276 Gr. 304
16	Bearing	316/P.T.F.E.	316/P.T.F.E.	316/P.T.F.E.
17	Anti-Static Device	316 SS	316 SS	316 SS
18	Pressure Ring	A276 Gr. 304	A276 Gr. 316	A276 Gr. 304
19	Spring	Inconel X-750	Inconel X-750	Inconel X-750
20	Retainer	A216 Gr. WCB	A 351 Gr. CF8M	A351 Gr. LCC
21	Stem	A276 Gr. F304	A276 Gr. F316	A276 Gr. F304
22	O-RING	Viton	Viton	Viton
23	Bearing	316/P.T.F.E.	316/P.T.F.E.	316/P.T.F.E.
24	Washer	A276 Gr. F304	A276 Gr. F316	A276 Gr. F304
25	Spiral Wound Gasket	304/Graphite	316/Graphite	304/Graphite
26	Packing Chamber	A105	A182 Gr. F316	A105
27	Screw	A193 Gr. B7M	A193 Gr. B8	A193 Gr. B7M
28	Packing	Graphite	Graphite	Graphite
29	Gland	A276 Gr. 304	A276 Gr. 316	A276 Gr. 304
30	Gland Flange	A216 Gr. WCB	A216 Gr. WCB	A216 Gr. WCB
31	Stop Plate	A570 Gr. A	A570 Gr. A	A570 Gr. A
32	Washer	AISI 1066	AISI 1066	AISI 1066
33	Lever	A216 Gr. WCB	A216 Gr. WCB	A216 Gr. WCB
34	Screw	A193 Gr. B7M	A193 Gr. B8	A193 Gr. B7M
35	Bearing	316 SS/PTFE	316 SS/PTFE	316 SS/PTFE
36	Bearing	316/P.T.F.E.	316/P.T.F.E.	316/P.T.F.E.
37	O-RING	Viton	Viton	Viton

NOTE:
COMPONENTS MAY CHANGE ACCORDING TO VALVE SIZE.
CONTACT BERIC FOR CERTIFIED DRAWINGS.

ADDITIONAL VALVE BODY AND TRIM MATERIALS AVAILABLE.

8S1 Series Forged Steel Ball Valve Standard Port - Trunnion Mount

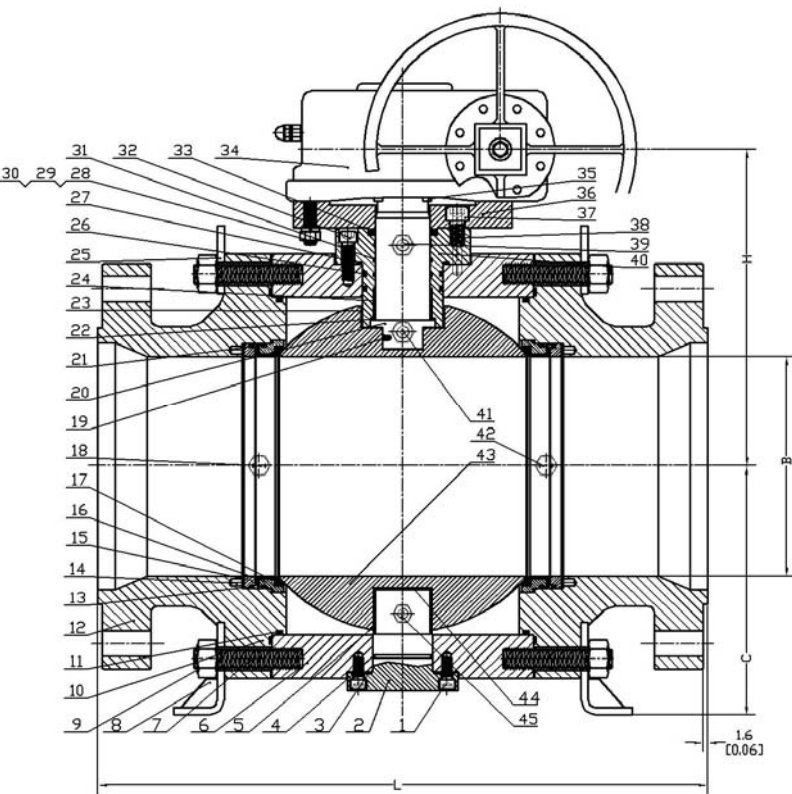
PRESSURE CLASS:
FLANGED - 150

CONNECTIONS:
FLANGED - ASME B16.5
ASME B16.10

STANDARDS

DESIGN:
API 6D, API 608
API 607/API 6FA
ASME B16.34

TESTING:
API 598



DIMENSIONS						
SIZE		L	B	C	H	Weight Lbs/Kg
2	Inch	7.00	1.50	3.00	5.00	62.0
	mm	178.0	38.0	76.2	127.0	28.0
3	Inch	8.00	1.97	3.25	5.37	77.0
	mm	203.0	50.0	83.0	136.0	35.0
4	Inch	9.00	3.00	4.34	6.87	125.5
	mm	229.0	76.0	110.0	174.0	57.0
6	Inch	15.50	3.94	5.31	8.06	233.2
	mm	394.0	100.0	135.0	205.0	106.0
8	Inch	18.00	5.91	7.00	10.81	484.0
	mm	457.0	150.0	178.0	275.0	220.0
10	Inch	21.00	7.88	10.25	12.43	754.5
	mm	533.0	200.0	260.0	315.0	343.0
12	Inch	24.00	9.92	12.62	11.03	1126.5
	mm	610.0	252.0	320.0	380.0	512.0
16	Inch	30.00	11.93	13.38	16.56	1529.0
	mm	762.0	303.0	340.0	420.0	695.0

MATERIAL SPECIFICATIONS				
NO.	Part Name	Carbon Steel/304	Stainless Steel/316	LF2/304
1	Screw	A193 Gr. B7	A193 Gr. B8	A193 Gr. B7
2	Bottom Stem	4140/ENP	A182 Gr. F316	A350 Gr. LF2
3	Gasket	304/Graphite	316/Graphite	304/Graphite
4	O-Ring	Viton	Viton	Viton
5	Bearing	316/PTFE	316/PTFE	316/PTFE
6	Body	A105N	A182 Gr. F316	A350 Gr. LF2
7	Body Stud	A193 Gr. B7	A193 Gr. B8	A193 Gr. L7M
8	Support Foot	ASTM A570	ASTM A570	ASTM A570
9	Nut	A194 Gr. 2H	A194 Gr. 8M	A194 Gr. 2H
10	Gasket	304/Graphite	316/Graphite	304/Graphite
11	O-Ring	Viton	Viton	Viton
12	End Piece	A105N	A182 Gr. F316	A350 Gr. LF2
13	Seal	Graphite	Graphite	Graphite
14	Spring	Inconel X-750	Inconel X-750	Inconel X-750
15	Pressure Plate	A182 Gr. F304	A182 Gr. F316	A182 Gr. F304
16	Seat Holder	A182 Gr. F304	A182 Gr. F316	A182 Gr. F304
17	Seat	PTFE	PTFE	PTFE
18	Grease Fitting	Carbon Steel/Zn	316SS	Carbon Steel/Zn
19	Anti-Static Device	SS316	SS316	SS316
20	Stem	17-4PH	17-4PH	17-4PH
21	O-Ring	Viton	Viton	Viton
22	Gasket	PTFE	PTFE	PTFE
23	Bearing	316/PTFE	316/PTFE	316/PTFE
24	Bearing	316/PTFE	316/PTFE	316/PTFE
25	Lifting Eye	Carbon Steel	316 SST	Carbon Steel
26	O-Ring	Viton	Viton	Viton
27	Gasket	304/Graphite	316/Graphite	304/Graphite
28	Bolt	A193 Gr. B7	A193 Gr. B8	A193 Gr. B7
29	Spring Washer	AISI 1066	AISI 316	ASI 1066
30	Nut	A194 Gr. 2H	A194 Gr. 8M	A194 Gr. 2H
31	O-Ring	Viton	Viton	Viton
32	Screw	A193 Gr. B7	A193 Gr. B8	A193 Gr. B7
33	Packing	Graphite	Graphite	Graphite
34	Gear			
35	Key	AISI 1045	AISI 1045	AISI 1045
36	Mounting Plate	AISI 1025	AISI 1025	AISI 1025
37	Screw	A193 Gr. B7	A193 Gr. B8	A193 Gr. B7
38	Straight Pin	304	316	316
39	Grease Fitting	Carbon Steel/Zn	316SS	Carbon Steel/Zn
40	Stem Box	A105N	A182 Gr. F316	A350 Gr. LF2
41	Relief Valve	Carbon Steel/Zn	316SS	Carbon Steel/Zn
42	Check Valve	Carbon Steel/Zn	316SS	Carbon Steel/Zn
43	Ball	A182 Gr. F304	A182 Gr. F316	A182 Gr. F304
44	Gasket	PTFE	PTFE	PTFE
45	Relief Valve	Carbon Steel/Zn	316SS	Carbon Steel/Zn

NOTE:
COMPONENTS MAY CHANGE ACCORDING TO VALVE SIZE.
CONTACT BERIC FOR CERTIFIED DRAWINGS.

ADDITIONAL VALVE BODY AND TRIM MATERIALS AVAILABLE.

8S3 Series Forged Steel Ball Valve Standard Port - Trunnion Mount

STANDARDS

DESIGN:

API 6D, API 608
API 607/API 6FA
ASME B16.34

TESTING:

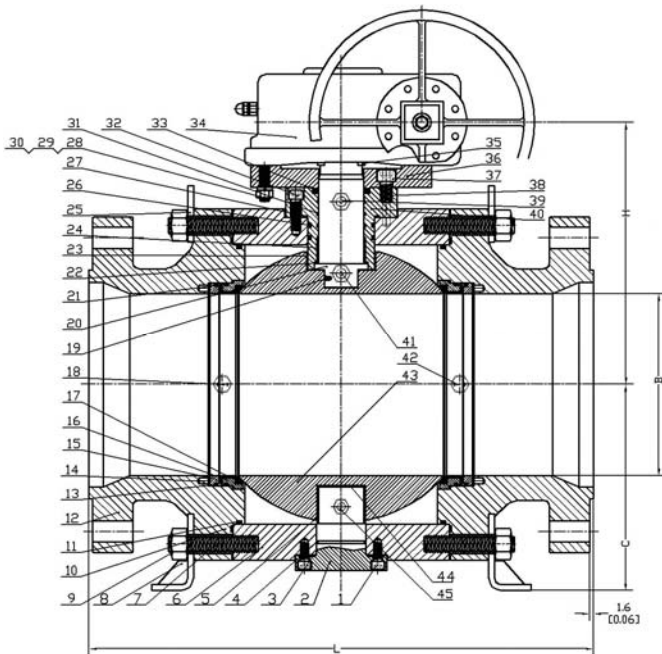
API 598

PRESSURE CLASS:

FLANGED - 300

CONNECTIONS:

FLANGED - ASME B16.5
ASME B16.10



DIMENSIONS						
SIZE		L	B	C	H	Weight Lbs/Kg
2	Inch	8.50	1.50	2.75	4.75	65.0
	mm	216.0	38.0	70.0	120.5	29.5
3	Inch	11.12	1.97	3.26	5.35	83.8
	mm	282.0	50.0	83.0	136.0	38.0
4	Inch	12.00	3.00	4.33	6.85	132.3
	mm	305.0	76.0	110.0	174.0	60.0
6	Inch	15.88	3.94	5.31	8.06	246.9
	mm	403.0	100.0	135.0	205.0	112.0
8	Inch	19.75	5.91	7.00	10.81	533.5
	mm	502.0	150.0	178.0	275.0	242.0
10	Inch	22.38	7.88	10.25	12.43	817.9
	mm	568.0	200.0	260.0	315.0	371.0
12	Inch	25.50	9.92	12.60	14.96	1311.7
	mm	635.0	252.0	320.0	380.0	595.0
16	Inch	33.00	11.93	13.38	16.53	1849.6
	mm	838.0	303.0	340.0	420.0	839.0

MATERIAL SPECIFICATIONS

NO.	Part Name	Carbon Steel/304	Stainless Steel/316	LF2/304
1	Screw	A193 Gr. B7	A193 Gr. B8	A193 Gr. B7
2	Bottom Stem	4140/ENP	A182 Gr. F316	A350 Gr. LF2
3	Gasket	304/Graphite	316/Graphite	304/Graphite
4	O-Ring	Viton	Viton	Viton
5	Bearing	316/PTFE	316/PTFE	316/PTFE
6	Body	A105N	A182 Gr. F316	A350 Gr. LF2
7	Body Stud	A193 Gr. B7	A193 Gr. B8	A193 Gr. L7M
8	Support Foot	ASTM A570	ASTM A570	ASTM A570
9	Nut	A194 Gr. 2H	A194 Gr. 8M	A194 Gr. 2H
10	Gasket	304/Graphite	316/Graphite	304/Graphite
11	O-Ring	Viton	Viton	Viton
12	End Piece	A105N	A182 Gr. F316	A350 Gr. LF2
13	Seal	Graphite	Graphite	Graphite
14	Spring	Inconel X-750	Inconel X-750	Inconel X-750
15	Pressure Plate	A182 Gr. F304	A182 Gr. F316	A182 Gr. F304
16	Seat Holder	A182 Gr. F304	A182 Gr. F316	A182 Gr. F304
17	Seat	PTFE	PTFE	PTFE
18	Grease Fitting	Carbon Steel/ZN	316SS	Carbon Steel/Zn
19	Anti-Static Device	SS316	SS316	SS316
20	Stem	17-4PH	17-4PH	17-4PH
21	O-Ring	Viton	Viton	Viton
22	Gasket	PTFE	PTFE	PTFE
23	Bearing	316/PTFE	316/PTFE	316/PTFE
24	Bearing	316/PTFE	316/PTFE	316/PTFE
25	Lifting Eye	Carbon Steel	316 SST	Carbon Steel
26	O-Ring	Viton	Viton	Viton
27	Gasket	304/Graphite	316/Graphite	304/Graphite
28	Bolt	A193 Gr. B7	A193 Gr. B8	A193 Gr. B7
29	Spring Washer	AISI 1066	AISI 316	ASI 1066
30	Nut	A194 Gr. 2H	A194 Gr. 8M	A194 Gr. 2H
31	O-Ring	Viton	Viton	Viton
32	Screw	A193 Gr. B7	A193 Gr. B8	A193 Gr. B7
33	Packing	Graphite	Graphite	Graphite
34	Gear			
35	Key	AISI 1045	AISI 1045	AISI 1045
36	Mounting Plate	AISI 1025	AISI 1025	AISI 1025
37	Screw	A193 Gr. B7	A193 Gr. B8	A193 Gr. B7
38	Straight Pin	304	316	316
39	Grease Fitting	Carbon Steel/ZN	316SS	Carbon Steel/Zn
40	Stem Box	A105N	A182 Gr. F316	A350 Gr. LF2
41	Relief Valve	Carbon Steel/ZN	316SS	Carbon Steel/Zn
42	Check Valve	Carbon Steel/ZN	316SS	Carbon Steel/Zn
43	Ball	A182 Gr. F304	A182 Gr. F316	A182 Gr. F304
44	Gasket	PTFE	PTFE	PTFE
45	Relief Valve	Carbon Steel/ZN	316SS	Carbon Steel/Zn

NOTE:

COMPONENTS MAY CHANGE ACCORDING TO VALVE SIZE.
CONTACT BERIC FOR CERTIFIED DRAWINGS.

ADDITIONAL VALVE BODY AND TRIM MATERIALS AVAILABLE.

8S6 Series Forged Steel Ball Valve Standard Port - Trunnion Mount

STANDARDS

DESIGN:

API 6D, API 608
API 607/API 6FA
ASME B16.34

PRESSURE CLASS:

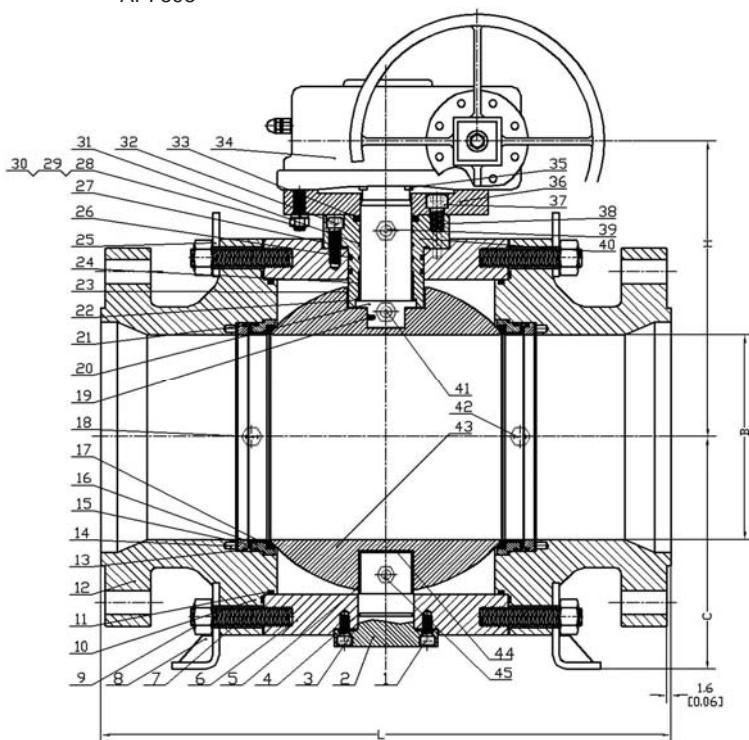
FLANGED - 600

TESTING:

API 598

CONNECTIONS:

FLANGED - ASME B16.5
ASME B16.10



DIMENSIONS						
SIZE		L	B	C	H	Weight Lbs/Kg
2	Inch	11.50	1.50	3.25	5.00	80.0
	mm	292.0	38.0	82.5	127.0	36.2
3	Inch	14.00	1.97	3.78	6.06	92.5
	mm	356.0	50.0	96.0	154.0	42.0
4	Inch	17.00	3.00	4.88	7.75	154.0
	mm	432.0	76.0	124.0	197.0	70.0
6	Inch	22.00	3.94	5.56	8.98	297.0
	mm	559.0	100.0	141.0	228.0	135.0
8	Inch	26.00	5.91	7.06	11.18	655.5
	mm	660.0	150.0	179.0	284.0	298.0
10	Inch	31.00	7.88	10.68	14.34	1238.5
	mm	787.0	200.0	271.0	364.0	563.0
12	Inch	33.00	9.92	12.53	14.97	1795.2
	mm	838.0	252.0	318.0	380.0	816.0
16	Inch	43.00	11.93	13.78	16.93	2677.5
	mm	991.0	303.0	350.0	430.0	1217.0

MATERIAL SPECIFICATIONS				
NO.	Part Name	Carbon Steel/304	Stainless Steel/316	LF2/304
1	Screw	A193 Gr. B7	A193 Gr. B8	A193 Gr. B7
2	Bottom Stem	4140/ENP	A182 Gr. F316	A350 Gr. LF2
3	Gasket	304/Graphite	316/Graphite	304/Graphite
4	O-Ring	Viton	Viton	Viton
5	Bearing	316/PTFE	316/PTFE	316/PTFE
6	Body	A105N	A182 Gr. F316	A350 Gr. LF2
7	Body Stud	A193 Gr. B7	A193 Gr. B8	A193 Gr. L7M
8	Support Foot	ASTM A570	ASTM A570	ASTM A570
9	Nut	A194 Gr. 2H	A194 Gr. 8M	A194 Gr. 2H
10	Gasket	304/Graphite	316/Graphite	304/Graphite
11	O-Ring	Viton	Viton	Viton
12	End Piece	A105N	A182 Gr. F316	A350 Gr. LF2
13	Seal	Graphite	Graphite	Graphite
14	Spring	Inconel X-750	Inconel X-750	Inconel X-750
15	Pressure Plate	A182 Gr. F304	A182 Gr. F316	A182 Gr. F304
16	Seat Holder	A182 Gr. F304	A182 Gr. F316	A182 Gr. F304
17	Seat	PTFE	PTFE	PTFE
18	Grease Fitting	Carbon Steel/Zn	316SS	Carbon Steel/Zn
19	Anti-Static Device	SS316	SS316	SS316
20	Stem	17-4PH	17-4PH	17-4PH
21	O-Ring	Viton	Viton	Viton
22	Gasket	PTFE	PTFE	PTFE
23	Bearing	316/PTFE	316/PTFE	316/PTFE
24	Bearing	316/PTFE	316/PTFE	316/PTFE
25	Lifting Eye	Carbon Steel	316 SST	Carbon Steel
26	O-Ring	Viton	Viton	Viton
27	Gasket	304/Graphite	316/Graphite	304/Graphite
28	Bolt	A193 Gr. B7	A193 Gr. B8	A193 Gr. B7
29	Spring Washer	AISI 1066	AISI 316	ASI 1066
30	Nut	A194 Gr. 2H	A194 Gr. 8M	A194 Gr. 2H
31	O-Ring	Viton	Viton	Viton
32	Screw	A193 Gr. B7	A193 Gr. B8	A193 Gr. B7
33	Packing	Graphite	Graphite	Graphite
34	Gear			
35	Key	AISI 1045	AISI 1045	AISI 1045
36	Mounting Plate	AISI 1025	AISI 1025	AISI 1025
37	Screw	A193 Gr. B7	A193 Gr. B8	A193 Gr. B7
38	Straight Pin	304	316	316
39	Grease Fitting	Carbon Steel/Zn	316SS	Carbon Steel/Zn
40	Stem Box	A105N	A182 Gr. F316	A350 Gr. LF2
41	Relief Valve	Carbon Steel/Zn	316SS	Carbon Steel/Zn
42	Check Valve	Carbon Steel/Zn	316SS	Carbon Steel/Zn
43	Ball	A182 Gr. F304	A182 Gr. F316	A182 Gr. F304
44	Gasket	PTFE	PTFE	PTFE
45	Relief Valve	Carbon Steel/Zn	316SS	Carbon Steel/Zn

NOTE:
COMPONENTS MAY CHANGE ACCORDING TO VALVE SIZE.
CONTACT BERIC FOR CERTIFIED DRAWINGS.

ADDITIONAL VALVE BODY AND TRIM MATERIALS AVAILABLE.

8S9 Series Forged Steel Ball Valve Standard Port - Trunnion Mount

STANDARDS

DESIGN:

API 6D, API 608
API 607/API 6FA
ASME B16.34

TESTING:

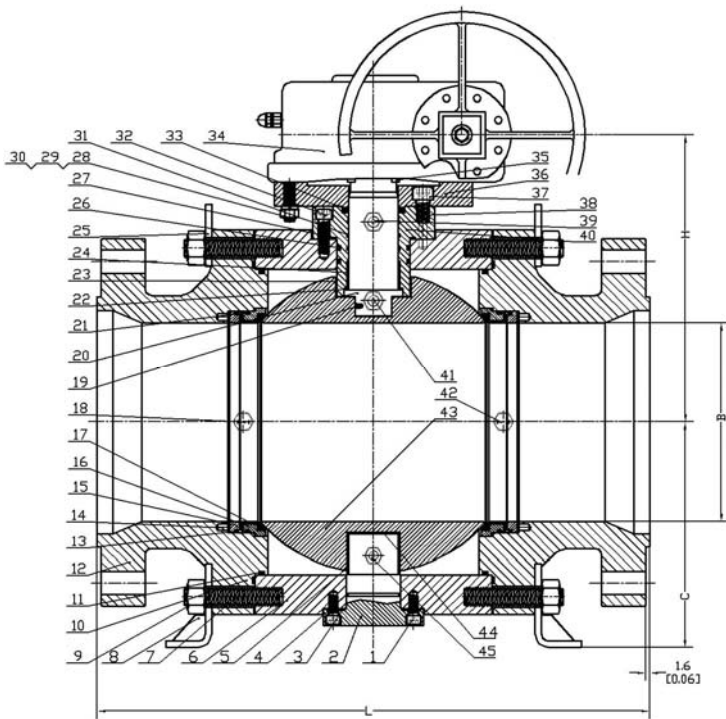
API 598

PRESSURE CLASS:

FLANGED - 900

CONNECTIONS:

FLANGED - ASME B16.5
ASME B16.10



DIMENSIONS						
SIZE		L	B	C	H	Weight Lbs/Kg
2	Inch	14.50	1.50	4.28	6.50	125.0
	mm	368.0	38.0	109.0	165.0	56.7
3	Inch	15.00	1.97	4.28	7.12	147.5
	mm	381.0	50.0	109.0	181.0	67.0
4	Inch	18.00	3.00	4.93	7.96	224.5
	mm	457.0	76.0	125.0	202.0	102.0
6	Inch	24.00	3.94	6.12	10.03	358.5
	mm	610.0	100.0	155.0	255.0	163.0
8	Inch	29.00	5.91	7.68	12.50	801.0
	mm	737.0	150.0	195.0	317.0	364.0
10	Inch	33.00	7.88	11.43	14.09	1458.5
	mm	838.0	200.0	290.0	358.0	663.0
12	Inch	38.00	9.92	14.53	16.21	2184.5
	mm	965.0	252.0	369.0	412.0	993.0
16	Inch	44.50	11.93	16.06	18.38	3126.2
	mm	1130.0	303.0	408.0	467.0	1421.0

MATERIAL SPECIFICATIONS				
NO.	Part Name	Carbon Steel/304	Stainless Steel/316	LF2/304
1	Screw	A193 Gr. B7	A193 Gr. B8	A193 Gr. B7
2	Bottom Stem	4140/ENP	A182 Gr. F316	A350 Gr. LF2
3	Gasket	304/Graphite	316/Graphite	304/Graphite
4	O-Ring	Viton	Viton	Viton
5	Bearing	316/PTFE	316/PTFE	316/PTFE
6	Body	A105N	A182 Gr. F316	A350 Gr. LF2
7	Body Stud	A193 Gr. B7	A193 Gr. B8	A193 Gr. L7M
8	Support Foot	ASTM A570	ASTM A570	ASTM A570
9	Nut	A194 Gr. 2H	A194 Gr. 8M	A194 Gr. 2H
10	Gasket	304/Graphite	316/Graphite	304/Graphite
11	O-Ring	Viton	Viton	Viton
12	End Piece	A105N	A182 Gr. F316	A350 Gr. LF2
13	Seal	Graphite	Graphite	Graphite
14	Spring	Inconel X-750	Inconel X-750	Inconel X-750
15	Pressure Plate	A182 Gr. F304	A182 Gr. F316	A182 Gr. F304
16	Seat Holder	A182 Gr. F304	A182 Gr. F316	A182 Gr. F304
17	Seat	PTFE	PTFE	PTFE
18	Grease Fitting	Carbon Steel/Zn	316SS	Carbon Steel/Zn
19	Anti-Static Device	SS316	SS316	SS316
20	Stem	17-4PH	17-4PH	17-4PH
21	O-Ring	Viton	Viton	Viton
22	Gasket	PTFE	PTFE	PTFE
23	Bearing	316/PTFE	316/PTFE	316/PTFE
24	Bearing	316/PTFE	316/PTFE	316/PTFE
25	Lifting Eye	Carbon Steel	316 SST	Carbon Steel
26	O-Ring	Viton	Viton	Viton
27	Gasket	304/Graphite	316/Graphite	304/Graphite
28	Bolt	A193 Gr. B7	A193 Gr. B8	A193 Gr. B7
29	Spring Washer	AISI 1066	AISI 316	ASI 1066
30	Nut	A194 Gr. 2H	A194 Gr. 8M	A194 Gr. 2H
31	O-Ring	Viton	Viton	Viton
32	Screw	A193 Gr. B7	A193 Gr. B8	A193 Gr. B7
33	Packing	Graphite	Graphite	Graphite
34	Gear			
35	Key	AISI 1045	AISI 1045	AISI 1045
36	Mounting Plate	AISI 1025	AISI 1025	AISI 1025
37	Screw	A193 Gr. B7	A193 Gr. B8	A193 Gr. B7
38	Straight Pin	304	316	316
39	Grease Fitting	Carbon Steel/Zn	316SS	Carbon Steel/Zn
40	Stem Box	A105N	A182 Gr. F316	A350 Gr. LF2
41	Relief Valve	Carbon Steel/Zn	316SS	Carbon Steel/Zn
42	Check Valve	Carbon Steel/Zn	316SS	Carbon Steel/Zn
43	Ball	A182 Gr. F304	A182 Gr. F316	A182 Gr. F304
44	Gasket	PTFE	PTFE	PTFE
45	Relief Valve	Carbon Steel/Zn	316SS	Carbon Steel/Zn

NOTE:

COMPONENTS MAY CHANGE ACCORDING TO VALVE SIZE.
CONTACT BERIC FOR CERTIFIED DRAWINGS.

ADDITIONAL VALVE BODY AND TRIM MATERIALS AVAILABLE.

8S15 Series Forged Steel Ball Valve Standard Port - Trunnion Mount

STANDARDS

DESIGN:

API 6D, API 608
API 607/API 6FA
ASME B16.34

TESTING:

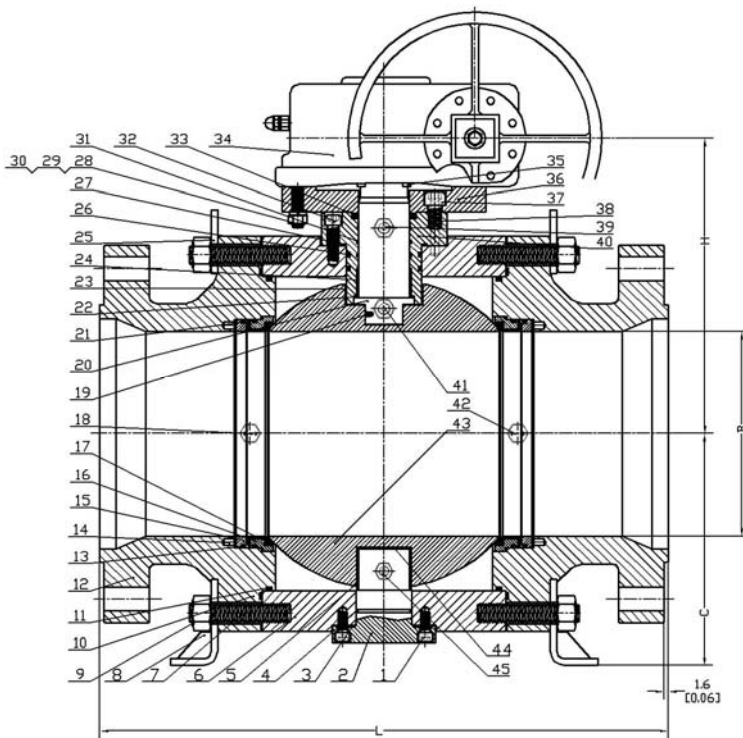
API 598

PRESSURE CLASS:

FLANGED - 900

CONNECTIONS:

FLANGED - ASME B16.5
ASME B16.10



DIMENSIONS						
SIZE		L	B	C	H	Weight Lbs/Kg
2	Inch	14.50	1.50	4.28	6.50	132.0
	mm	368.0	38.0	109.0	165.0	60.0
3	Inch	18.50	1.97	4.28	7.12	167.2
	mm	470.0	50.0	109.0	181.0	76.0
4	Inch	21.50	3.00	5.34	8.58	297.0
	mm	546.0	76.0	136.0	218.0	135.0
6	Inch	27.75	3.94	6.18	10.18	534.5
	mm	705.0	100.0	157.0	258.0	243.0
8	Inch	32.75	5.67	8.06	13.34	1238.5
	mm	832.0	144.0	205.0	339.0	563.0
10	Inch	39.00	7.56	12.53	14.81	1916.2
	mm	991.0	192.0	318.0	376.0	871.0
12	Inch	44.50	9.41	15.75	18.12	3240.5
	mm	1130.0	239.0	400.0	460.0	1473.0
16	Inch	54.50	11.30	17.5	19.46	4752.0
	mm	1384.0	287.0	442.0	494.0	2160.0

MATERIAL SPECIFICATIONS

NO.	Part Name	Carbon Steel/304	Stainless Steel/316	LF2/304
1	Screw	A193 Gr. B7	A193 Gr. B8	A193 Gr. B7
2	Bottom Stem	4140/ENP	A182 Gr. F316	A350 Gr. LF2
3	Gasket	304/Graphite	316/Graphite	304/Graphite
4	O-Ring	Viton	Viton	Viton
5	Bearing	316/PTFE	316/PTFE	316/PTFE
6	Body	A105N	A182 Gr. F316	A350 Gr. LF2
7	Body Stud	A193 Gr. B7	A193 Gr. B8	A193 Gr. L7M
8	Support Foot	ASTM A570	ASTM A570	ASTM A570
9	Nut	A194 Gr. 2H	A194 Gr. 8M	A194 Gr. 2H
10	Gasket	304/Graphite	316/Graphite	304/Graphite
11	O-Ring	Viton	Viton	Viton
12	End Piece	A105N	A182 Gr. F316	A350 Gr. LF2
13	Seal	Graphite	Graphite	Graphite
14	Spring	Inconel X-750	Inconel X-750	Inconel X-750
15	Pressure Plate	A182 Gr. F304	A182 Gr. F316	A182 Gr. F304
16	Seat Holder	A182 Gr. F304	A182 Gr. F316	A182 Gr. F304
17	Seat	PTFE	PTFE	PTFE
18	Grease Fitting	Carbon Steel/ZN	316SS	Carbon Steel/Zn
19	Anti-Static Device	SS316	SS316	SS316
20	Stem	17-4PH	17-4PH	17-4PH
21	O-Ring	Viton	Viton	Viton
22	Gasket	PTFE	PTFE	PTFE
23	Bearing	316/PTFE	316/PTFE	316/PTFE
24	Bearing	316/PTFE	316/PTFE	316/PTFE
25	Lifting Eye	Carbon Steel	316 SST	Carbon Steel
26	O-Ring	Viton	Viton	Viton
27	Gasket	304/Graphite	316/Graphite	304/Graphite
28	Bolt	A193 Gr. B7	A193 Gr. B8	A193 Gr. B7
29	Spring Washer	AISI 1066	AISI 316	ASI 1066
30	Nut	A194 Gr. 2H	A194 Gr. 8M	A194 Gr. 2H
31	O-Ring	Viton	Viton	Viton
32	Screw	A193 Gr. B7	A193 Gr. B8	A193 Gr. B7
33	Packing	Graphite	Graphite	Graphite
34	Gear			
35	Key	AISI 1045	AISI 1045	AISI 1045
36	Mounting Plate	AISI 1025	AISI 1025	AISI 1025
37	Screw	A193 Gr. B7	A193 Gr. B8	A193 Gr. B7
38	Straight Pin	304	316	316
39	Grease Fitting	Carbon Steel/ZN	316SS	Carbon Steel/Zn
40	Stem Box	A105N	A182 Gr. F316	A350 Gr. LF2
41	Relief Valve	Carbon Steel/ZN	316SS	Carbon Steel/Zn
42	Check Valve	Carbon Steel/ZN	316SS	Carbon Steel/Zn
43	Ball	A182 Gr. F304	A182 Gr. F316	A182 Gr. F304
44	Gasket	PTFE	PTFE	PTFE
45	Relief Valve	Carbon Steel/ZN	316SS	Carbon Steel/Zn

NOTE:

COMPONENTS MAY CHANGE ACCORDING TO VALVE SIZE.
CONTACT BERIC FOR CERTIFIED DRAWINGS.

ADDITIONAL VALVE BODY AND TRIM MATERIALS AVAILABLE.

8S25 Series Forged Steel Ball Valve Standard Port - Trunnion Mount

STANDARDS

DESIGN:

API 6D, API 608
API 607/API 6FA
ASME B16.34

PRESSURE CLASS:

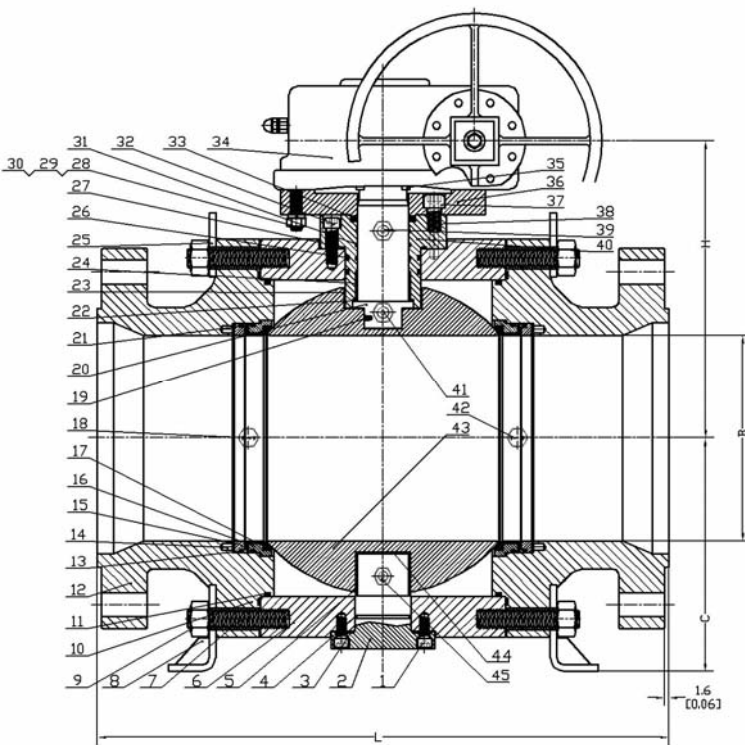
FLANGED – 900

TESTING:

API 598

CONNECTIONS:

FLANGED – ASME B16.5
ASME B16.10



SIZE	DIMENSIONS					Weight Lbs/Kg
	L	B	C	H		
2	Inch	17.75	1.50	4.63	7.00	181.0
	mm	451.0	38.0	117.5	178.0	82.0
3	Inch	22.75	1.65	4.63	7.50	277.2
	mm	578.0	42.0	117.5	190.0	126.0
4	Inch	26.50	2.44	6.00	9.03	580.8
	mm	673.0	62.0	152.5	229.0	264.0
6	Inch	36.00	3.43	7.00	12.06	974.5
	mm	914.0	87.0	178.0	306.0	443.0
8	Inch	40.25	5.16	9.50	13.87	2490.5
	mm	1022.0	131.0	241.5	352.0	1132.0
10	Inch	50.00	7.05	14.00	17.38	3810.5
	mm	1270.0	179.0	355.0	442.0	1732.0
12	Inch	56.00	8.78	17.25	21.00	6960.8
	mm	1422.0	223.0	438.0	533.0	3164.0

MATERIAL SPECIFICATIONS				
NO.	Part Name	Carbon Steel/304	Stainless Steel/316	LF2/304
1	Screw	A193 Gr. B7	A193 Gr. B8	A193 Gr. B7
2	Bottom Stem	4140/ENP	A182 Gr. F316	A350 Gr. LF2
3	Gasket	304/Graphite	316/Graphite	304/Graphite
4	O-Ring	Viton	Viton	Viton
5	Bearing	316/PTFE	316/PTFE	316/PTFE
6	Body	A105N	A182 Gr. F316	A350 Gr. LF2
7	Body Stud	A193 Gr. B7	A193 Gr. B8	A193 Gr. L7M
8	Support Foot	ASTM A570	ASTM A570	ASTM A570
9	Nut	A194 Gr. 2H	A194 Gr. 8M	A194 Gr. 2H
10	Gasket	304/Graphite	316/Graphite	304/Graphite
11	O-Ring	Viton	Viton	Viton
12	End Piece	A105N	A182 Gr. F316	A350 Gr. LF2
13	Seal	Graphite	Graphite	Graphite
14	Spring	Inconel X-750	Inconel X-750	Inconel X-750
15	Pressure Plate	A182 Gr. F304	A182 Gr. F316	A182 Gr. F304
16	Seat Holder	A182 Gr. F304	A182 Gr. F316	A182 Gr. F304
17	Seat	PTFE	PTFE	PTFE
18	Grease Fitting	Carbon Steel/Zn	316SS	Carbon Steel/Zn
19	Anti-Static Device	SS316	SS316	SS316
20	Stem	17-4PH	17-4PH	17-4PH
21	O-Ring	Viton	Viton	Viton
22	Gasket	PTFE	PTFE	PTFE
23	Bearing	316/PTFE	316/PTFE	316/PTFE
24	Bearing	316/PTFE	316/PTFE	316/PTFE
25	Lifting Eye	Carbon Steel	316 SST	Carbon Steel
26	O-Ring	Viton	Viton	Viton
27	Gasket	304/Graphite	316/Graphite	304/Graphite
28	Bolt	A193 Gr. B7	A193 Gr. B8	A193 Gr. B7
29	Spring Washer	AISI 1066	AISI 316	ASI 1066
30	Nut	A194 Gr. 2H	A194 Gr. 8M	A194 Gr. 2H
31	O-Ring	Viton	Viton	Viton
32	Screw	A193 Gr. B7	A193 Gr. B8	A193 Gr. B7
33	Packing	Graphite	Graphite	Graphite
34	Gear			
35	Key	AISI 1045	AISI 1045	AISI 1045
36	Mounting Plate	AISI 1025	AISI 1025	AISI 1025
37	Screw	A193 Gr. B7	A193 Gr. B8	A193 Gr. B7
38	Straight Pin	304	316	316
39	Grease Fitting	Carbon Steel/Zn	316SS	Carbon Steel/Zn
40	Stem Box	A105N	A182 Gr. F316	A350 Gr. LF2
41	Relief Valve	Carbon Steel/Zn	316SS	Carbon Steel/Zn
42	Check Valve	Carbon Steel/Zn	316SS	Carbon Steel/Zn
43	Ball	A182 Gr. F304	A182 Gr. F316	A182 Gr. F304
44	Gasket	PTFE	PTFE	PTFE
45	Relief Valve	Carbon Steel/Zn	316SS	Carbon Steel/Zn

NOTE:

COMPONENTS MAY CHANGE ACCORDING TO VALVE SIZE.
CONTACT BERIC FOR CERTIFIED DRAWINGS.

ADDITIONAL VALVE BODY AND TRIM MATERIALS AVAILABLE.

Cryogenic Service Ball Valve

Standard & Full Port - Floating & Trunnion Mount

STANDARDS

DESIGN:

API 6D, API 608
API 607/API 6FA
ASME B16.34
MSS SP-134

TESTING:

API 598

PRESSURE CLASS:

FLANGED – 150, 300, 600, 900, 1500, & 2500

CONNECTIONS:

FLANGED – ASME B16.5
ASME B16.10

MATERIAL:

CAST VALVES - ASTM A351 Gr. CF8M

FORGED VALVES – ASTM A182 Gr. F316/F316L

SEATS AND SEALS – P.T.F.E.

FEATURES:

AVAILABLE WITH SINGLE OR DOUBLE PISTON SEALS.

EXTENDED BONNETS HAVE SUFFICIENT GAS COLUMN LENGTH TO KEEP THE STEM PACKING AWAY FROM THE COLD FLUID TO IMPROVE FUNCTIONALITY.

CLEANED AND DEGREASED FOR OXYGEN SERVICE.

ANTISTATIC DEVICE

RECOMMENDED FOR USE AT TEMPERATURES BELOW 50°F.

EXTENDED BONNET LENGTH ARE SUPPLIED TO THE LENGTHS SPECIFIED IN MSS SP-134 UNLESS OTHERWISE SPECIFIED.

