



CHILLED WATER CASSETTE UNITS EC Fan Series

Chilled Water Cassette Units 2/4 Pipe EC Fan Series

UNIT FEATURES

1. Unit Body Casing

Made of galvanized steel and both internal and external surface are thermal acoustic insulated preventing the condensate water and ensuring the silent operation.

2. Water Coil

Manufactured with 3/8" copper tubing mechanically bonded to corrugated hydrophilic aluminium fins. Coils shall be factory tested by dried air to 30 bars. The coil connections are provided with air bleed vent and partial water drain vent. The coil connections are attached with connection supporter.

3. Panel Assembly

An attractive and elegant design ABS panel.

4. Air Delivery Louver

The internal surface is treated by electrostatic fibre and with wave shape, efficiently preventing the condensate water blowing into the room.

5. Air Filter

Installed with the air return grille is moveable and washable.

6. Air Venturi

Equipped with a protective grille that impedes access to the moving fan.

7. External Fresh Air

There is one pre-stamped hole on unit body for introducing outside fresh air going through conditioning coils.

8. Deliver Treated Air To Adjacent Room:

There are pre-stamped holes on unit body for delivery of treated air to the adjacent room.

9. Condensate Drain Device

The unit is equipped with a high density polystyrene foam as main condensate drain pan, a float switch, a no return valve and a pump with 70cm max. head.

10. External Auxiliary Drain Pan (OPTIONAL)

For collecting condensate from the valve piping and transporting it to the main condensate drain pan.

11. Fan Blower & Fan Motor

The balanced centrifugal fan blower and fan motor can be accessed through the window of air return grille, easily for service.

12. The 3-Speed Fan Motor (STANDARD)

The unit is standard equipped with 3 speeds motor

13. Control Box

The control box is attached external of the unit body.

14. Optiona Extras

Electric Heating

Electric Controllers

BMS (ModBus)

Unit Selection Software

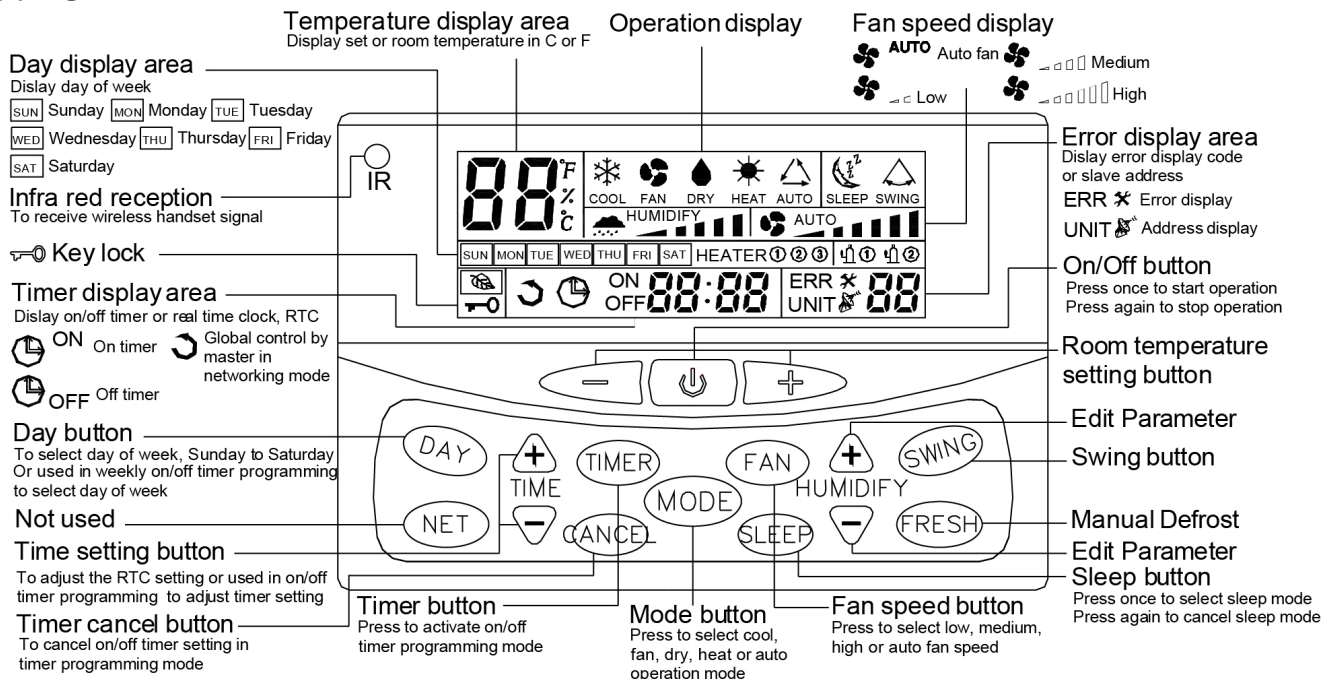
15. Main Parts Of The Unit

- 1 Panel assembly
- 2 Unit body
- 3 Mounting bracket
- 4 Air bleed vent
- 5 Water outlet connection
- 6 Water inlet connection
- 7 Water drain vent
- 8 Control box
- 9 Drain pipe connection
- 10 Air delivery louver
- 11 Air return grille
- 12 Lamp board display

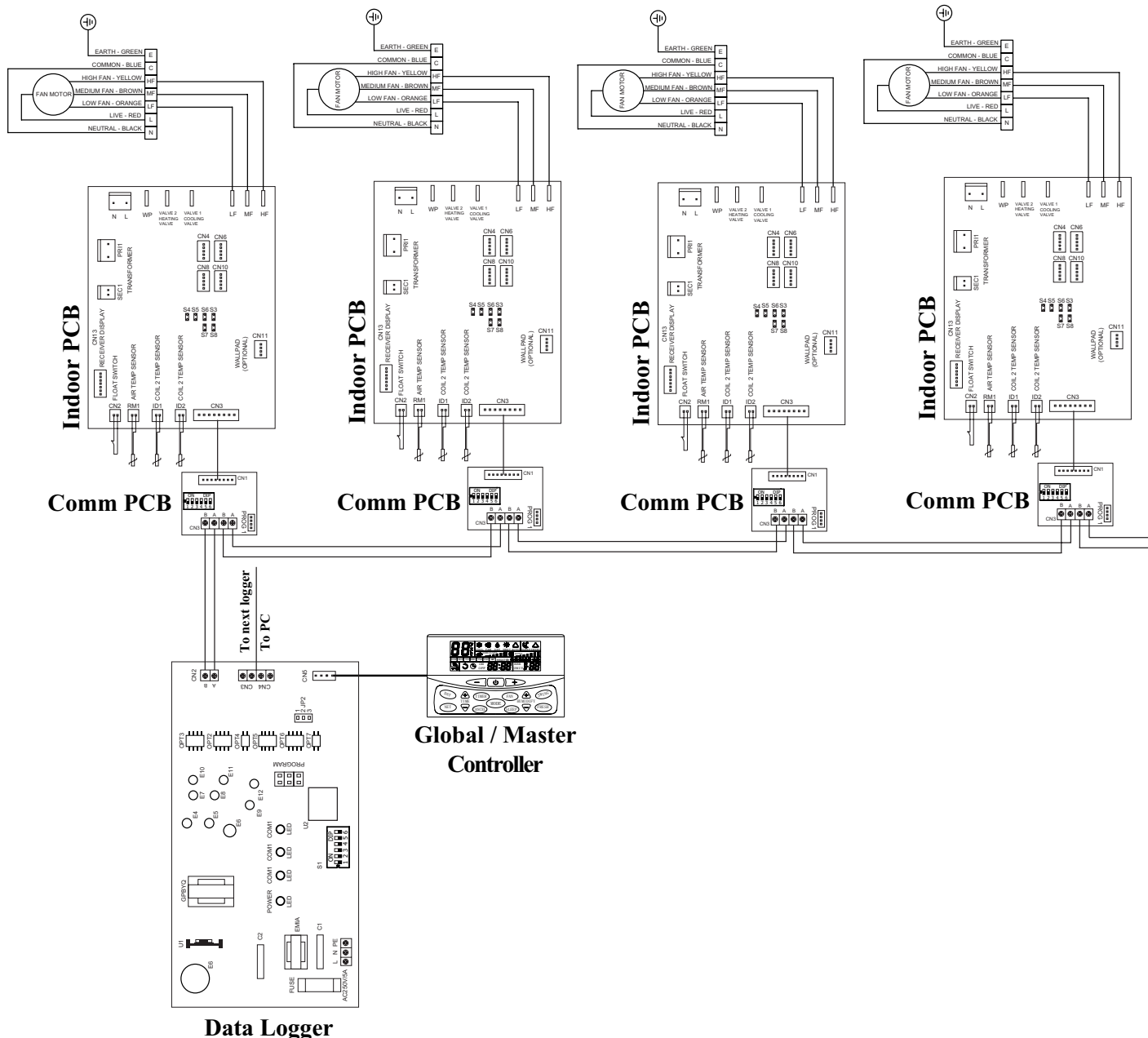


FOR ALL YOUR COMMERCIAL APPLICATIONS:

> Shopping Centers > Restaurants > Offices



Master / Slave Connection for Multiple Indoor Units (Optional)



SPECIFICATIONS



CHILLED WATER 4 WAY CASSETTE UNITS 2 PIPE

Model No. Indoor			EC03S-2	EC04S-2	EC06S-2	EC08S-2	EC09X-2	EC10X-2	EC12X-2	EC16X-2	EC20X-2
Power supply			230V / 1PH / 50Hz								
Total Capacity (H / M / L)	Cooling	W	4010 / 3140 / 2420	5190 / 4010 / 2880	6020 / 4720 / 3320	6360 / 5050 / 3750	7850 / 6210 / 4430	9230 / 7270 / 5270	9610 / 7590 / 5460	10700 / 8460 / 5990	13600 / 10700 / 7440
Sensible Capacity (H / M / L)	Cooling	W	2800 / 2180 / 1670	3640 / 2800 / 1990	4250 / 3310 / 2310	4490 / 3540 / 2620	5600 / 4400 / 3110	6620 / 5150 / 3720	6900 / 5410 / 3850	7590 / 5960 / 4180	9590 / 7480 / 5170
Total Capacity (H / M / L)	Heating	W	3670 / 2890 / 2230	4790 / 3710 / 2670	5610 / 4410 / 3110	5940 / 4720 / 3510	7620 / 6020 / 4290	8720 / 6940 / 4990	9130 / 7210 / 5200	10100 / 8000 / 5670	12800 / 10100 / 7040
Electric Heating (OPTIONAL MAX.)		W	2000	2000	2000	2000	2000	2000	3000	3000	3000
Noise Level (1m) (H / M / L)	Indoor	dB(A)	38 / 35 / 30	39 / 36 / 32	42 / 38 / 35	43 / 40 / 36	44 / 41 / 37	45 / 42 / 39	47 / 44 / 41	49 / 46 / 42	57 / 52 / 48
Air Flow (H / M / L) Cooling		l/s	150 / 113 / 84	203 / 150 / 102	243 / 182 / 121	259 / 197 / 139	327 / 247 / 165	398 / 297 / 203	418 / 314 / 212	437 / 330 / 220	552 / 414 / 271
Air Flow (H / M / L) Heating		l/s	163 / 123 / 92	223 / 165 / 113	269 / 202 / 134	287 / 219 / 155	360 / 273 / 184	442 / 330 / 227	467 / 352 / 238	488 / 370 / 247	619 / 465 / 306
Water Flow Rate (Cooling)		l/s	0.191 / 0.150 / 0.115	0.247 / 0.191 / 0.137	0.287 / 0.225 / 0.158	0.303 / 0.241 / 0.179	0.374 / 0.296 / 0.211	0.440 / 0.345 / 0.251	0.458 / 0.362 / 0.260	0.511 / 0.404 / 0.285	0.648 / 0.509 / 0.355
Water Flow Rate (Heating)		l/s	0.088 / 0.069 / 0.053	0.115 / 0.089 / 0.064	0.134 / 0.106 / 0.075	0.142 / 0.113 / 0.084	0.182 / 0.144 / 0.103	0.209 / 0.164 / 0.119	0.219 / 0.173 / 0.124	0.242 / 0.191 / 0.136	0.306 / 0.241 / 0.168
Water Pressure Drop (Cooling)		kPa	20.70	32.30	41.80	46.00	20.40	27.00	29.00	28.30	49.40
Water Pressure Drop (Heating)		kPa	4.49	7.12	9.37	10.30	19.90	6.19	6.72	6.47	11.30
Fan / Motor	Fan Diameter	mm	315	315	315	315	380	380	380	476	530
	Fan No.	Qty	1	1	1	1	1	1	1	1	1
	Motor No.	Qty	1	1	1	1	1	1	1	1	1
	Power	W	30	30	30	80	80	80	80	80	80
Water Coil	Working Pressure	MPa	1.6								
	Rows	QTY	2								
	Tube Diameter	Inch	3/8"								
Pipe Connection	Water - In	Inch	3/4"								
	Water - Out	Inch	3/4"								
	Drain	Inch	1" (Outer Diameter)								
Unit Dimensions	W x H x D		581 x 581 x 290	581 x 581 x 290	581 x 581 x 290	581 x 581 x 290	701 x 701 x 290	701 x 701 x 290	701 x 701 x 290	811 x 811 x 290	950 x 950 x 290
Panel Dimensions	W x H x D		680 x 680	680 x 680	680 x 680	680 x 680	830 x 830	830 x 830	830 x 830	980 x 980	1140 x 1140
Weight	kg - Net		23.5	23.5	23.5	23.5	31	31	31.5	39.5	52



Unit Selection Software Available - Contact ECO AIRE for more information

SPECIFICATIONS



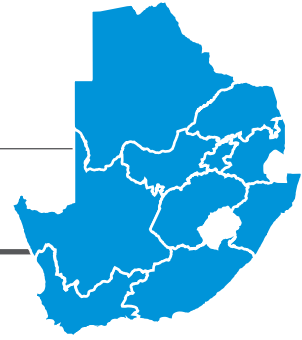
CHILLED WATER 4 WAY CASSETTE UNITS 4 PIPE

Model No. Indoor			EC06S-4	EC08S-4	EC09X-4	EC10X-4	EC12X-4	EC16X-4	EC20X-4
Power supply			230V / 1PH / 50Hz						
Total Capacity (H / M / L)	Cooling	W	4820 / 3810 / 2710	5090 / 4070 / 3050	6770 / 5370 / 3840	7920 / 6230 / 4550	8200 / 6500 / 4700	9190 / 7280 / 5170	11700 / 9200 / 6450
Sensible Capacity (H / M / L)	Cooling	W	3540 / 2770 / 1950	3750 / 2970 / 2200	4890 / 3850 / 2720	5750 / 4490 / 3250	5960 / 4690 / 3350	6590 / 5180 / 3640	8320 / 6510 / 4520
Total Capacity (H / M / L)	Heating	W	660 / 550 / 430	690 / 580 / 470	1010 / 840 / 650	1140 / 940 / 740	1170 / 980 / 760	1520 / 1260 / 960	1960 / 1620 / 1210
Noise Level (1m) (H / M / L)	Indoor	dB(A)	42 / 38 / 35	43 / 40 / 36	44 / 41 / 37	45 / 42 / 39	47 / 44 / 41	49 / 46 / 42	57 / 52 / 48
Air Flow (H / M / L)		l/s	224 / 167 / 110	239 / 181 / 128	302 / 228 / 152	367 / 273 / 187	384 / 288 / 194	401 / 302 / 200	506 / 378 / 248
Water Flow Rate (Cooling)		l/s	0.230 / 0.182 / 0.129	0.243 / 0.194 / 0.146	0.323 / 0.256 / 0.183	0.377 / 0.297 / 0.217	0.391 / 0.310 / 0.224	0.438 / 0.347 / 0.246	0.557 / 0.0439 / 0.307
Water Flow Rate (Heating)		l/s	0.016 / 0.013 / 0.010	0.017 / 0.014 / 0.011	0.024 / 0.020 / 0.016	0.028 / 0.023 / 0.018	0.029 / 0.023 / 0.018	0.036 / 0.030 / 0.023	0.047 / 0.039 / 0.029
Water Pressure Drop (Cooling)		kPa	6.18 / 4.13 / 2.31	6.78 / 4.62 / 2.83	13.80 / 9.25 / 5.21	18.10 / 12.00 / 6.97	19.20 / 12.90 / 7.35	18.90 / 12.70 / 7.03	33.10 / 21.90 / 11.80
Water Pressure Drop (Heating)		kPa	0.027 / 0.022 / 0.017	0.028 / 0.024 / 0.019	0.051 / 0.043 / 0.033	0.059 / 0.048 / 0.038	0.060 / 0.050 / 0.039	0.195 / 0.088 / 0.067	0.350 / 0.252 / 0.098
Fan / Motor	Fan Diameter	mm	315	315	380	380	380	476	530
	Fan No.	Qty	1	1	1	1	1	1	1
	Motor No.	Qty	1	1	1	1	1	1	1
	Power	W	30	80	80	80	80	80	80
Water Coil	Working Pressure	MPa	1.6						
	Rows	QTY	2						
	Tube Diameter	Inch	3/8"						
Pipe Connection	Water - In	Inch	3/4"						
	Water - Out	Inch	3/4"						
	Drain	Inch	1" (Outer Diameter)						
Unit Dimensions	W x H x D	581 x 581 x 290	581 x 581 x 290	701 x 701 x 290	701 x 701 x 290	701 x 701 x 290	811 x 811 x 290	950 x 950 x 290	
Panel Dimensions	W x H x D	680 x 680	680 x 680	830 x 830	830 x 830	830 x 830	980 x 980	1140 x 1140	
Weight	kg - Nett	23	23	30	30	30	38	50	



Unit Selection Software Available - Contact ECO AIRE for more information

ECOAIRE REFERENCES



SHOPPING MALLS



V & A Marina Waterfront
Mall of the North
Soshanguve Crossing
The Grove
Mall @ Middelburg
Northgate Mall
Cradlestone
Mall of the South
Watercrest Mall
Thaba Mall
Canary Walk – Nelspruit
Waterstone – Cape Town
Zevenwacht Mall

HOTELS & ENTERTAINMENT



Westcliff
– Johannesburg
Gold Reef City Casino
– Johannesburg
Grand West Casino
– Cape Town
Emperor's Palace
One & Only
– Cape Town
Tusk Casino
– Empangeni
Radisson Hotel
– Port Elizabeth

EDUCATIONAL



Westville University
UNISA Florida
University of Pretoria
Engineering Department -
Thuto Building -
Mangosuthu Technikon
University of Johannesburg:
Bunter Road

HOSPITALS



3 Military Hospital
Panorama Mediclinic
Civitas Pretoria
Natalspuit Hospital
Netcare Pinehaven
Highveld Eye Hospital
Military Health Base
Mokopane Hospital
Albert Luthuli Academic
Hospital
Addington Hospital
Vryburg Hospital
N1 City Hospital

PUBLIC BUILDINGS



Alice Lane Offices
Choose Life Church
FNB van der Bijl Park
Toyota Midrand
CTM & Italtile
Porche Head Office
– Pretoria
CSIR
BMW
Anglo American

SPECIAL PHARMACEUTICAL SITES



Middelburg Pharmacy
Plascon Test Laboratory
Lea Glen Pharmacy
Phokeng Pathology
Covidien Pharmaceuticals



Eco Aire (Pty) Ltd.

www.ecoaire.com

JHB

t: 011 397 2162 / **e:** sales@ecoaire.com

CAPE TOWN

t: 079 522 0724 / **e:** bradley@ecoaire.com

GARDEN ROUTE

t: 072 533 6747 / **e:** heine@ecoaire.com

KZN

t: 031 701 6114 / **e:** rowland@ecoairekzn.co.za

PORT ELIZABETH

t: 083 625 0462 / **e:** simon@solencosa.co.za