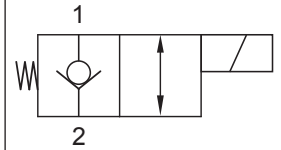


Up to 350 bar - 0.38 lpm

Operation

When de-energised the D-HAS2P blocks flow from (1) to (2). When energised the valve allows flow from (1) to (2).

Symbol

Features

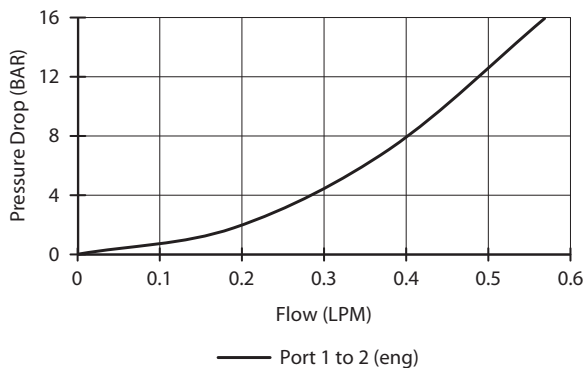
- Hardened parts for long life.
- Efficient wet-armature construction.
- Cartridges are voltage interchangeable.
- Industry common cavity.
- Unitised, molded coil design.
- Continuous duty rated solenoid.
- Optional coil voltages and terminations.



Great for pilot control, low leakage. Flow from port (2) to port (1) will happen once pressure is between 69 and 138 bar.

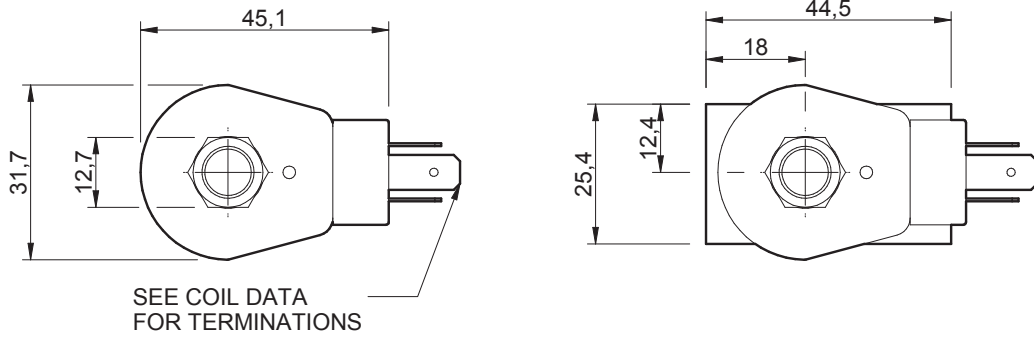
Performance

32 cSt / 38°C.


Specifications

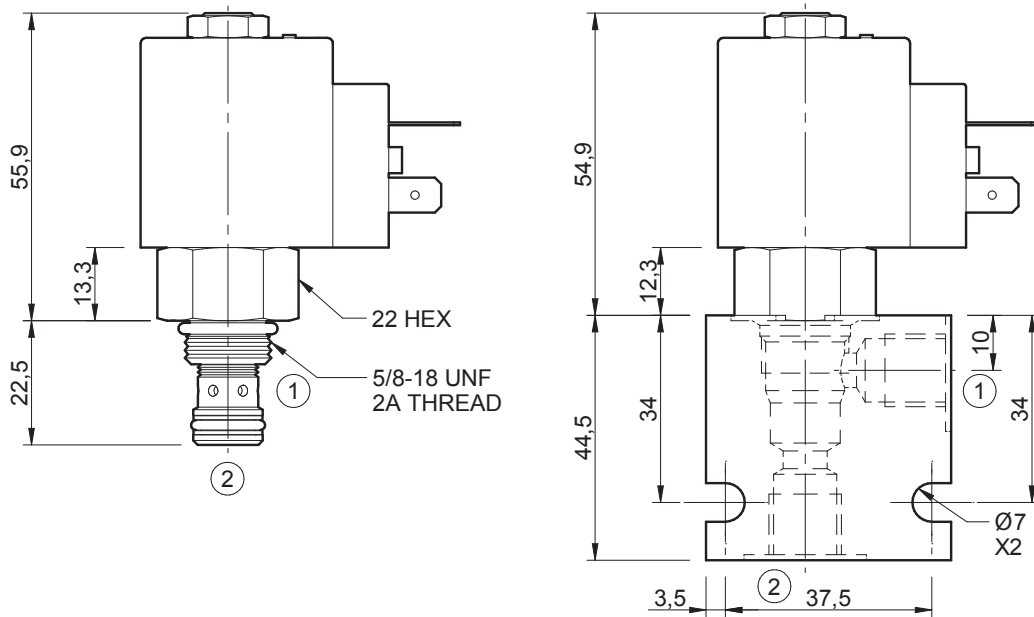
| | |
|----------------------------------|--------------------------------------------------|
| Nom. Flow (lpm) | 0.38 |
| Max. pressure (bar) | 350 |
| Internal Leakage (32 cSt) | 0 to 0.50 cc/min |
| Hydraulic oil | General purpose hydraulic fluid |
| Viscosity Range | 3 to 640 cSt |
| Filtration | ISO 18/16/13 |
| Operating temp. | -40 to 120°C |
| Voltage | DC / AC (see coil data page Coil-M) |
| Cartridge Torque | 20 Nm |
| Coil Nut Torque | 4 to 7 Nm |
| Cavity | MA07-2 (see cavity data page CAV-MA07-2) |
| Spare Seal Kit (Viton) | SK-DMAVHA |
| Weight - Cartridge only | 0.08 kg |
| Weight - Cartridge + Coil | 0.22 kg |
| Weight - Cartridge + Coil + Body | 0.36 kg (alum) 0.61 kg (steel) |

Dimensions
[mm]



SEE COIL DATA FOR TERMINATIONS

Refer to data sheet Coil-M for coil options.



Ordering Code

D-HAS2P

| Options | Coil termination | Voltage | Port size (BSP) | No. of ports | Body material |
|--------------|-------------------------------|---------------------------|--------------------------|--------------------------|---------------------------------------|
| 00 - Nitrile | DL - Double lead | 06 - 6 Vdc | A - 1/4" | 2 - 2 ports | A - Aluminium |
| V0 - Viton | DT - Deutsch on Leads DT04-2P | 12 - 12 Vdc | Options - See page B-DMA | Options - See page B-DMA | S - Steel |
| | ML - Metric-Pack on Leads | 24 - 24 Vdc | | | For pressures over 210 bar use steel. |
| | PL - Packard on Leads | 36 - 36 Vdc | | | |
| | WL - Weatherpack on Leads | 48 - 48 Vdc | | | |
| | SS - Single Spade | 25 - 24 Vac | | | |
| | DS - Double Spade | 11 - 120 Vac | | | |
| | HC - EN 175301-803* (AC&DC) | 22 - 220 Vac | | | |
| | CL - Conduit Lead (AC Only) | 44 - 440 Vac | | | |
| | Options - See page Coil-M | Options - See page Coil-M | | | |
| | Omit if coil is not required | | | | |

*Formerly DIN 43650 Hirschmann connector.