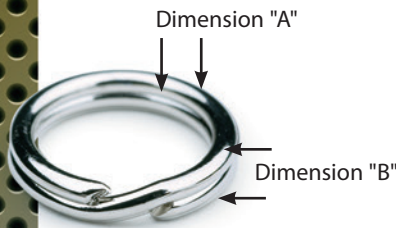
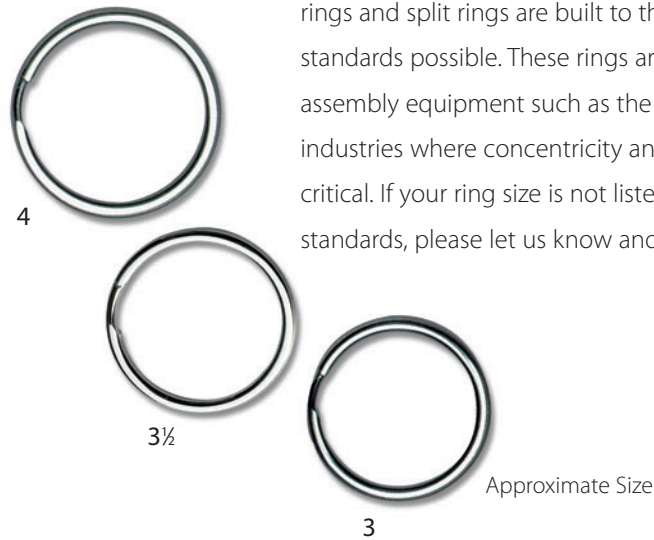


High Tolerance Key Rings

Striving for perfection? These tempered steel High Tolerance key rings and split rings are built to the highest quality and dimensional standards possible. These rings are designed for use in automated assembly equipment such as the automotive and medical industries where concentricity and dimensional demands are critical. If your ring size is not listed and you need it built to these standards, please let us know and we will quote you.



O.D. Tolerances: +.015 - .005
 Note: Inside Diameter and "A" Dimension are for reference only.

High Tolerance Key Rings

Size	3	3 1/2	4
Outside Diameter	.970 in. 24.64 mm	1.010 in. 25.76 mm	1.100 in. 27.94 mm
Approx. Inside Diameter	.826 in. 20.98 mm	.866 in. 22.00 mm	.956 in. 24.28 mm
Approx. "A" Dimension	.072 in. 1.83 mm	.072 in. 1.83 mm	.072 in. 1.83 mm
At "B" +/- .005in./ .13mm	.112 in. 2.67 mm	.112 in. 2.67 mm	.112 in. 2.67 mm
Wire Diameter	.064	.064	.064
Weight Per Thousand (lbs.)	5 lb. 2.27 kg.	5.25 lb. 2.38 kg.	5.25 lb. 2.38 kg.
Nickel-Plated Steel	90853	90813	90704
Cost Per Thousand	\$76.50	\$79.25	\$81.00

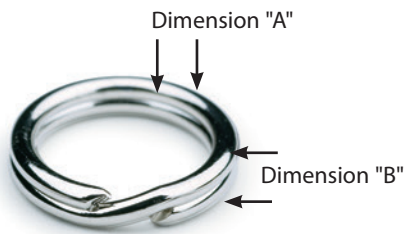
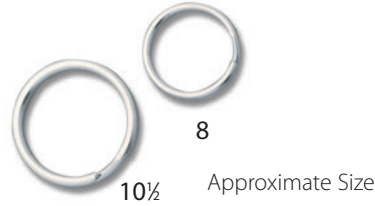
Packaging: Bulk

Quantity Discounts (per size & finish): 5M-9M less 5%, 10M-24M less 10%, 25M-49M less 15%, 50M-99M less 20%
 100M-499M less 25%, 500M-999M less 30%, 1MM-Over less 35%



WARNING: This product can expose you to chemicals including nickel and lead, which are known to the State of California to cause cancer and birth defects or other reproductive harm. For more information, visit www.P65Warnings.ca.gov

High Tolerance Split Rings



O.D. Tolerances: +.015 - .005

Note: Inside Diameter and "A" Dimension are for reference only.

High Tolerance Split Rings

Size	8 Fine	10 $\frac{1}{2}$ Fine	10 $\frac{1}{2}$ Ultra Fine
Outside Diameter	.484 in. 12.29 mm	.630 in. 16.00 mm	.630 in. 16.00 mm
Approx. Inside Diameter	.392 in. 9.96 mm	.516 in. 13.11 mm	.528 in. 13.41 mm
Approx. "A" Dimension	.046 in. 1.17 mm	.057 in. 1.45 mm	.051 in. 1.30 mm
At "B" +/- .005in./1.3mm	.068 in. 1.73 mm	.083 in. 2.11 mm	.074 in. 1.88 mm
Wire Diameter	.040	.051	.045
Weight Per Thousand (lbs.)	.97 lb. .440 kg.	2.01 lb. .910 kg.	1.45 lb. .658 kg.
Nickel-Plated Steel	90708	90710	90735
Cost Per Thousand	\$47.00	\$59.75	\$49.50

Packaging: Bulk

Quantity Discounts (per size & finish): 5M-9M less 5%, 10M-24M less 10%, 25M-49M less 15%, 50M-99M less 20%
100M-499M less 25%, 500M-999M less 30%, 1MM-Over less 35%



WARNING: This product can expose you to chemicals including nickel and lead, which are known to the State of California to cause cancer and birth defects or other reproductive harm. For more information, visit www.P65Warnings.ca.gov

High Tolerance Rings

www.worthco.com

sales@worthco.com