

BUG RIDER

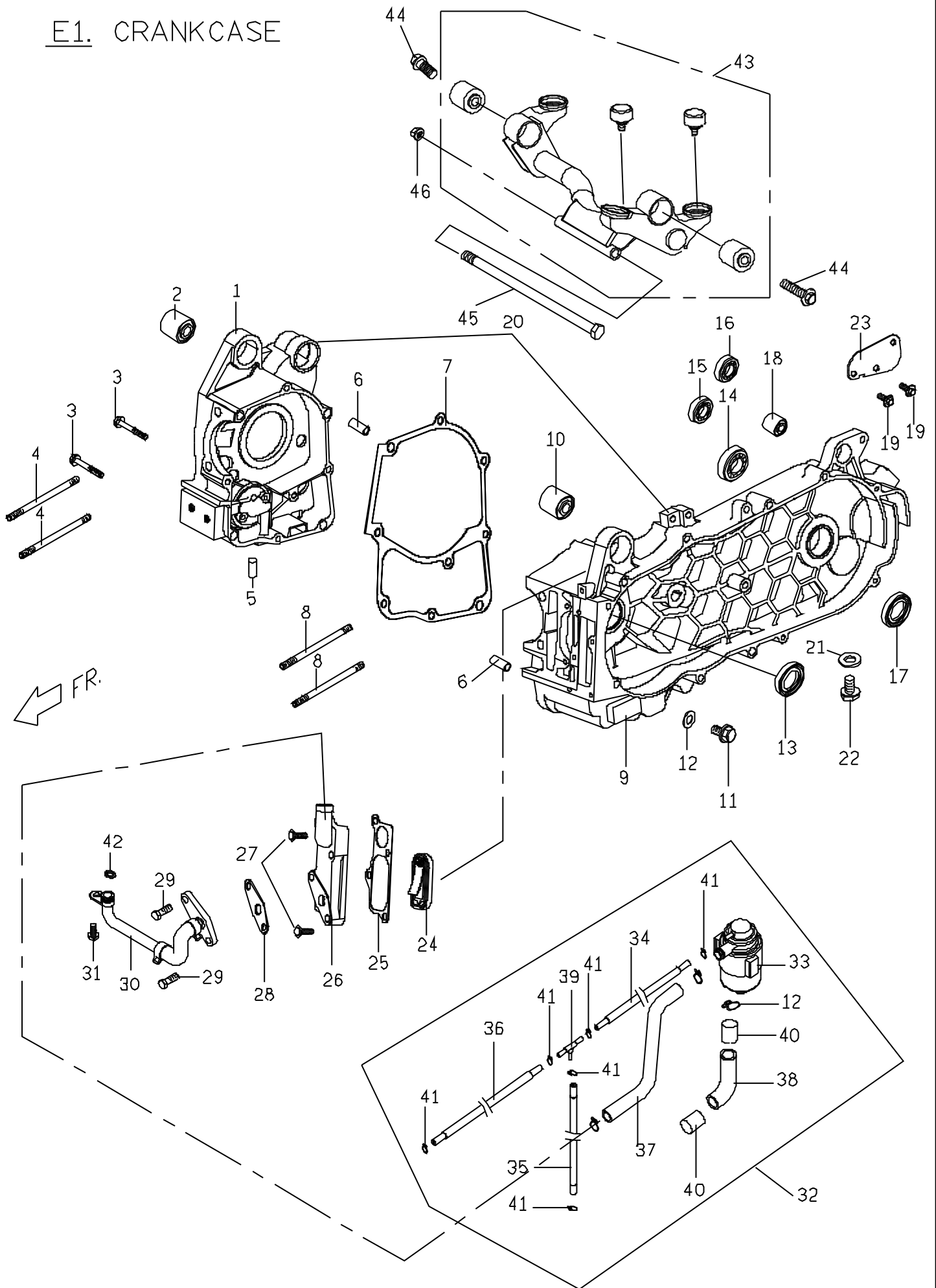
PGO SCOOTERS

PARTS CATALOG ***(BR50 & BR150)***

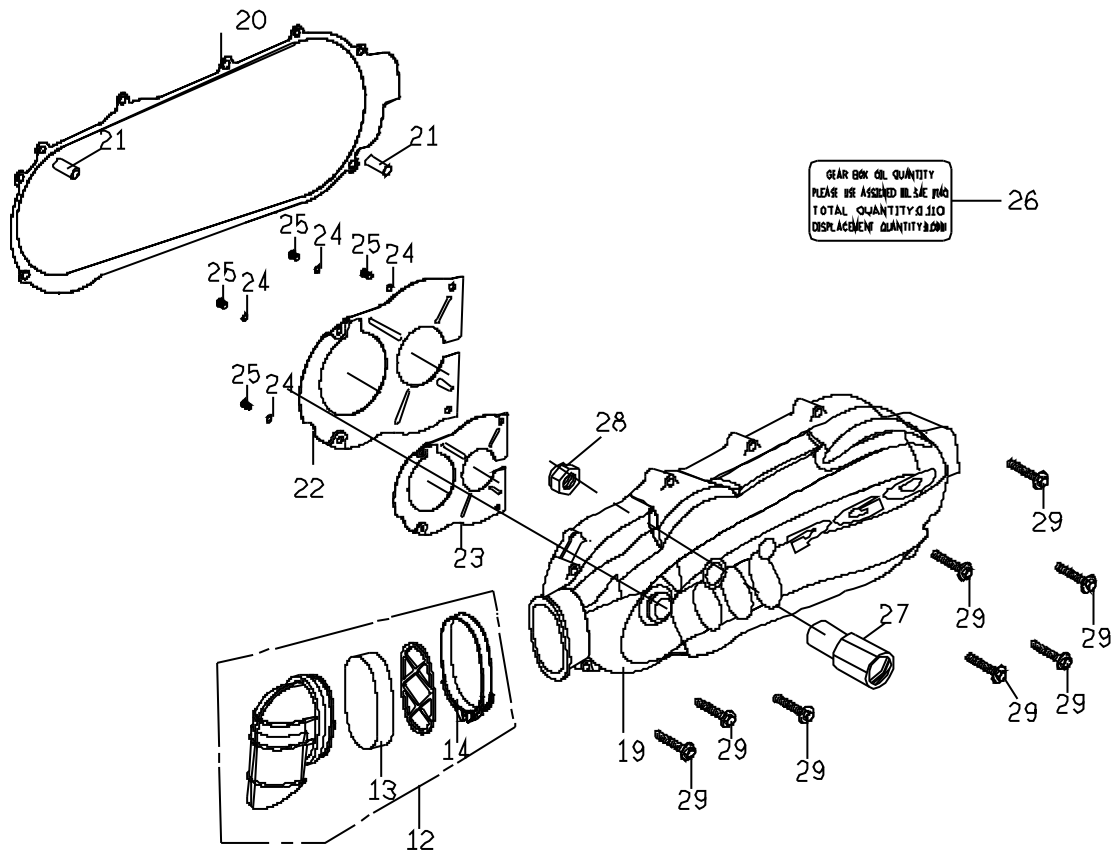
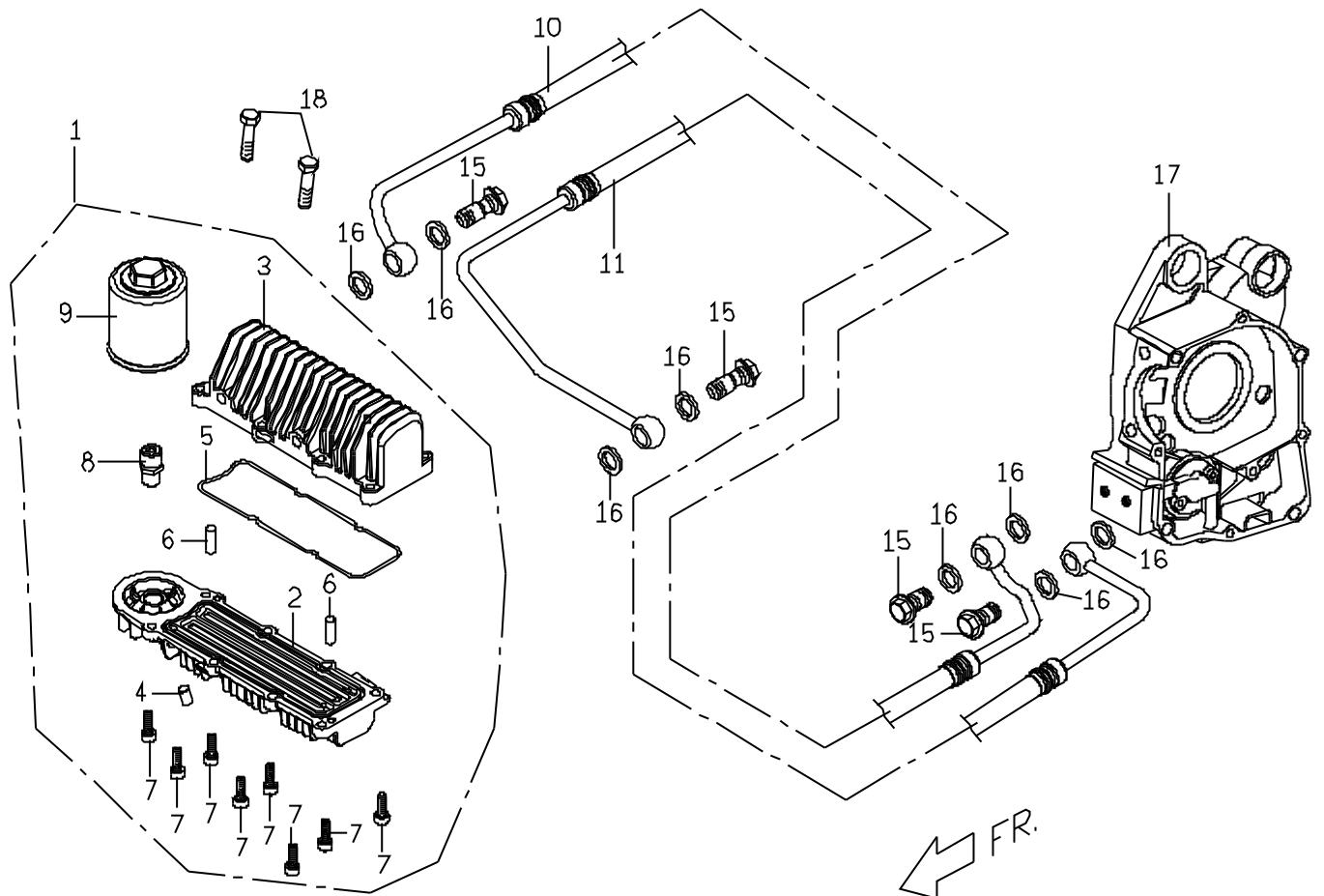


PGO
BUILD 4 FUN

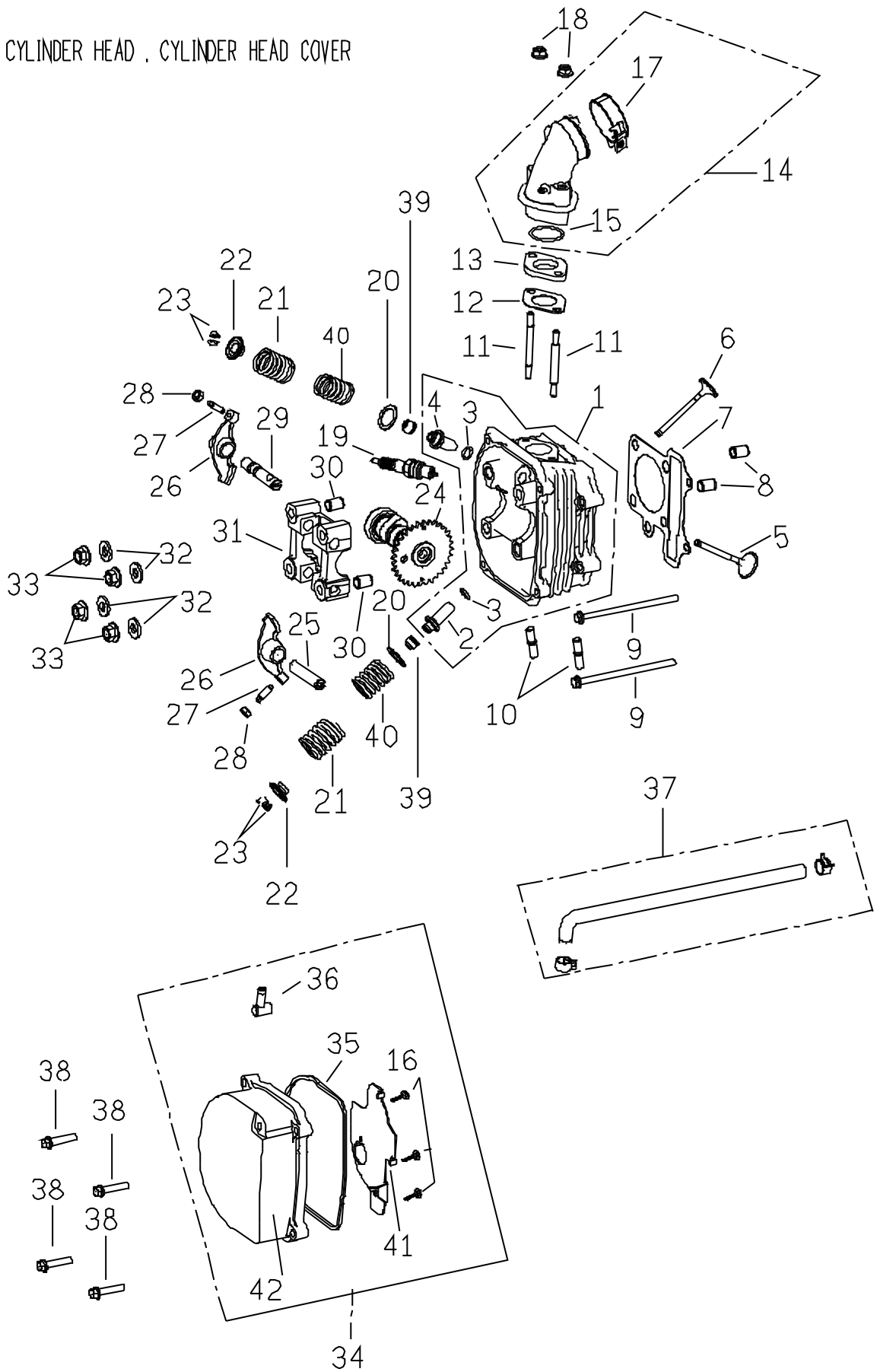
E1. CRANKCASE



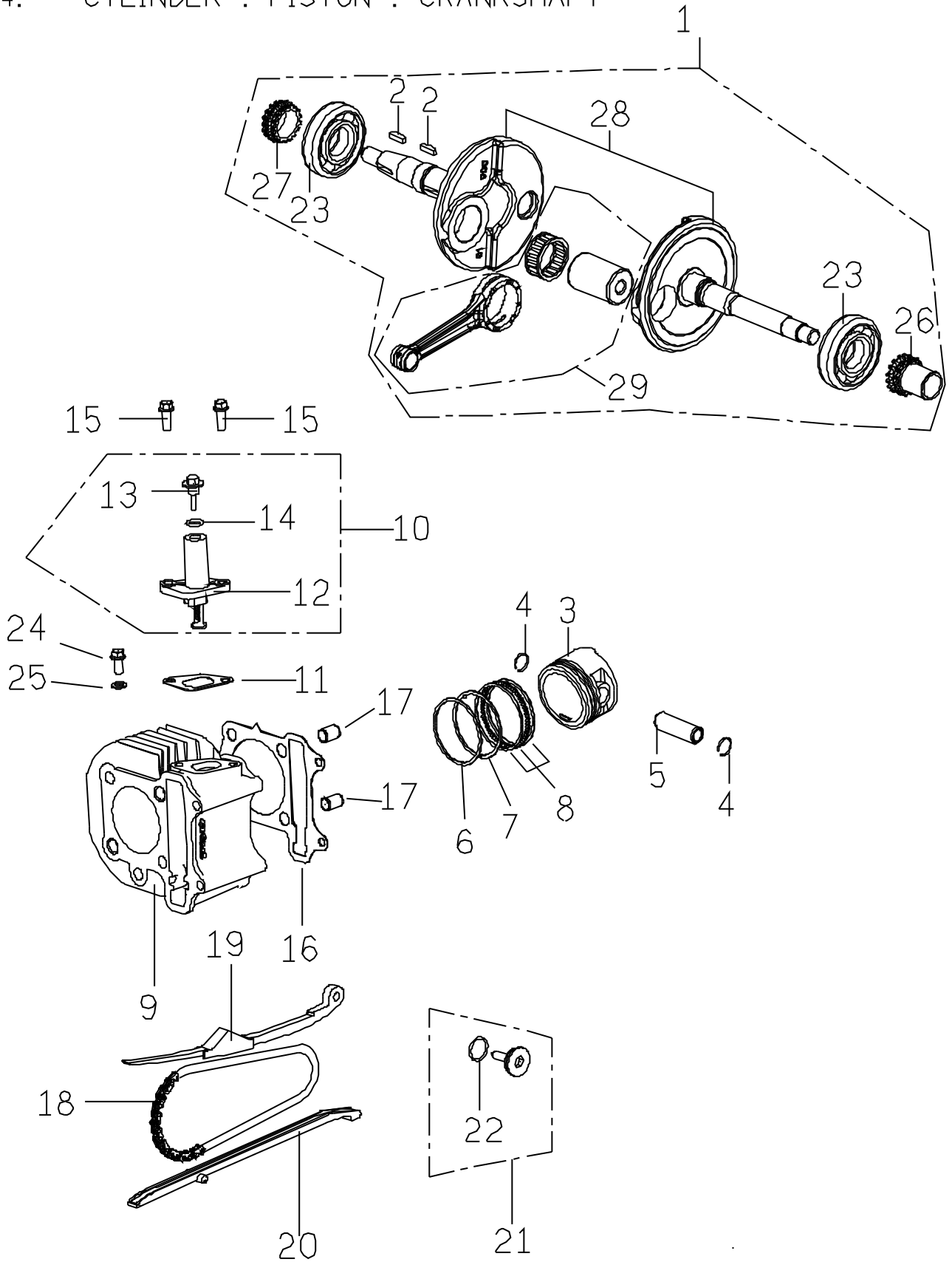
E2. BR150_ OIL COOLER & LH COVER



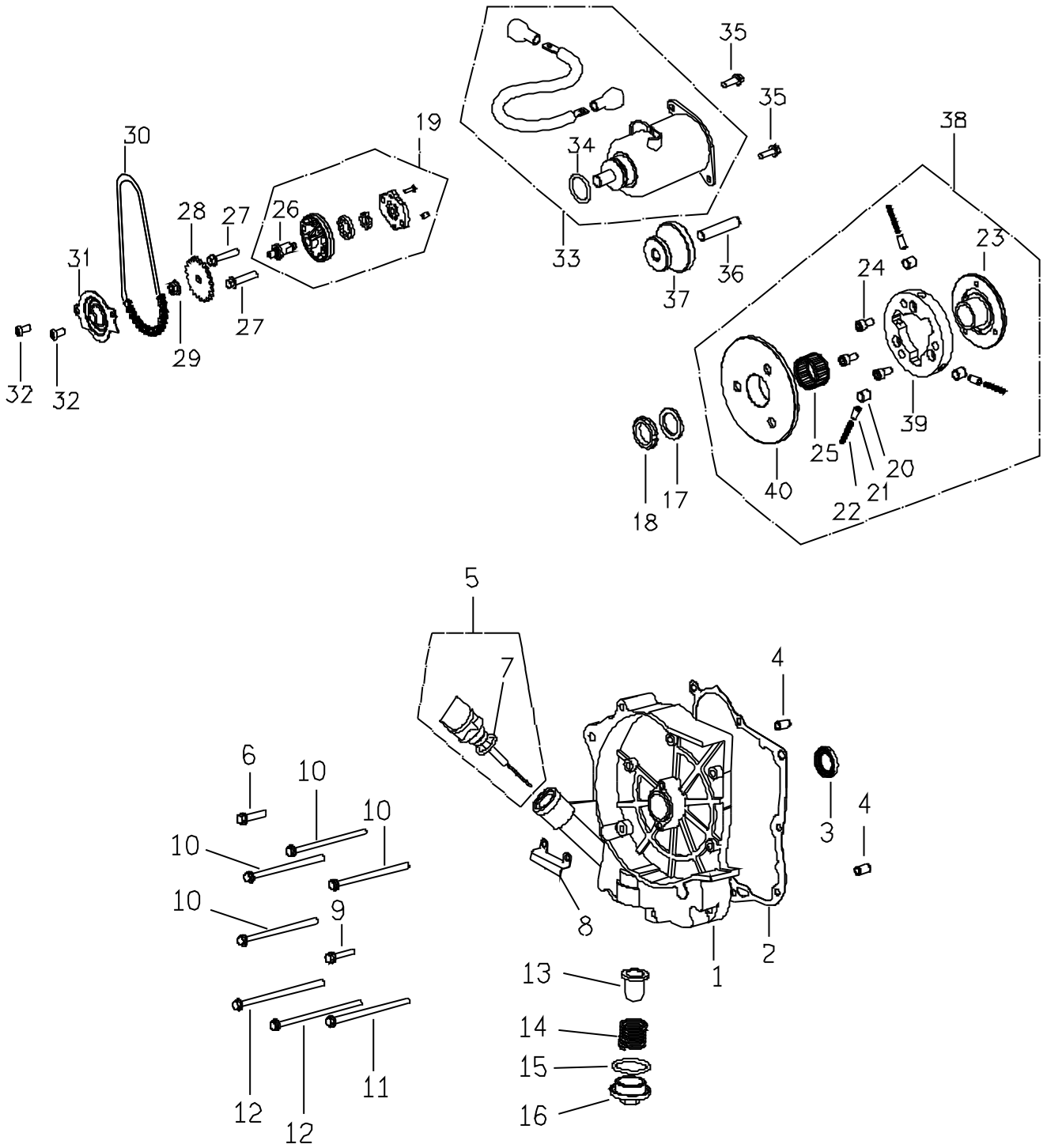
E3. CYLINDER HEAD , CYLINDER HEAD COVER



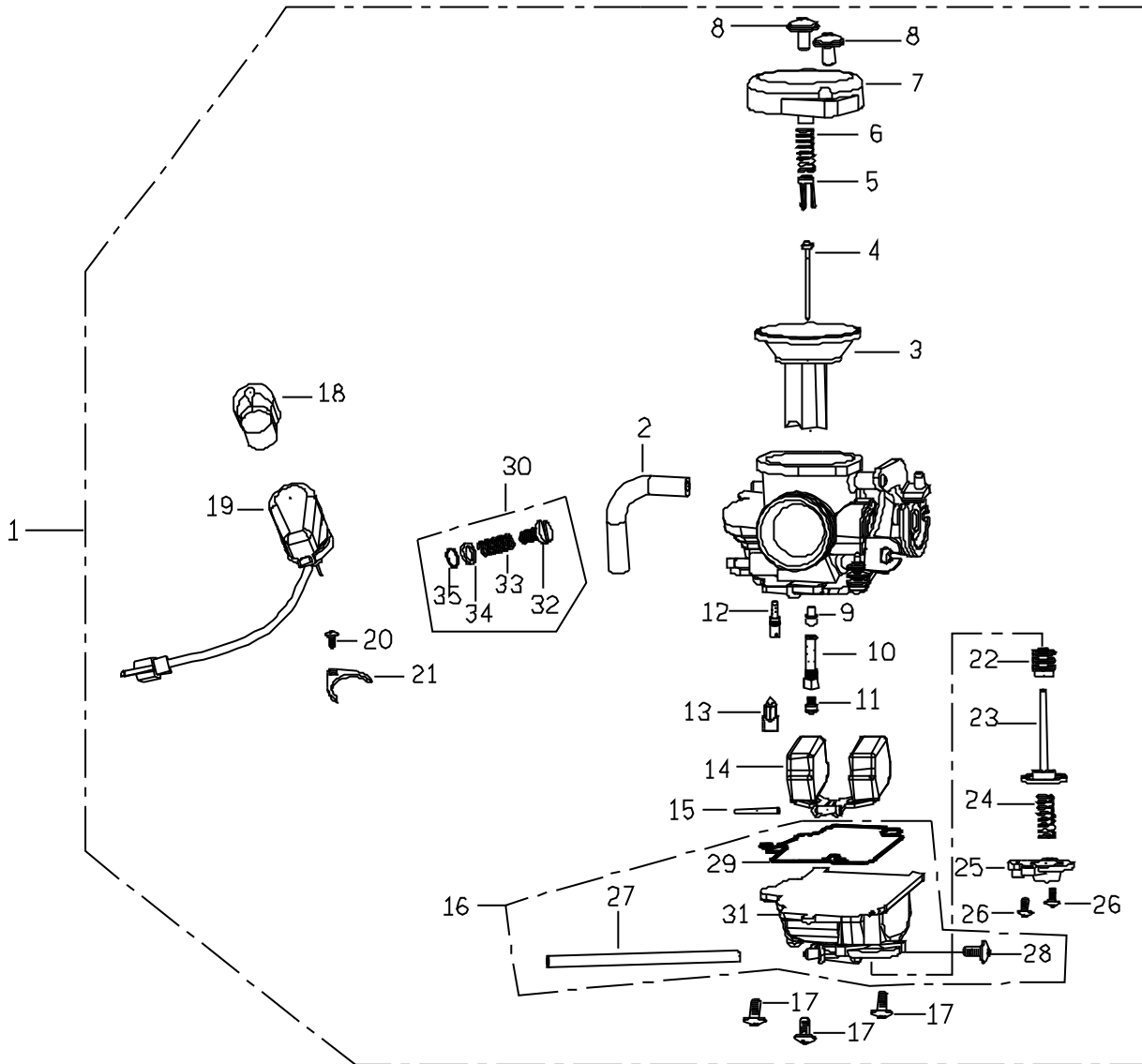
E4. CYLINDER . PISTON . CRANKSHAFT



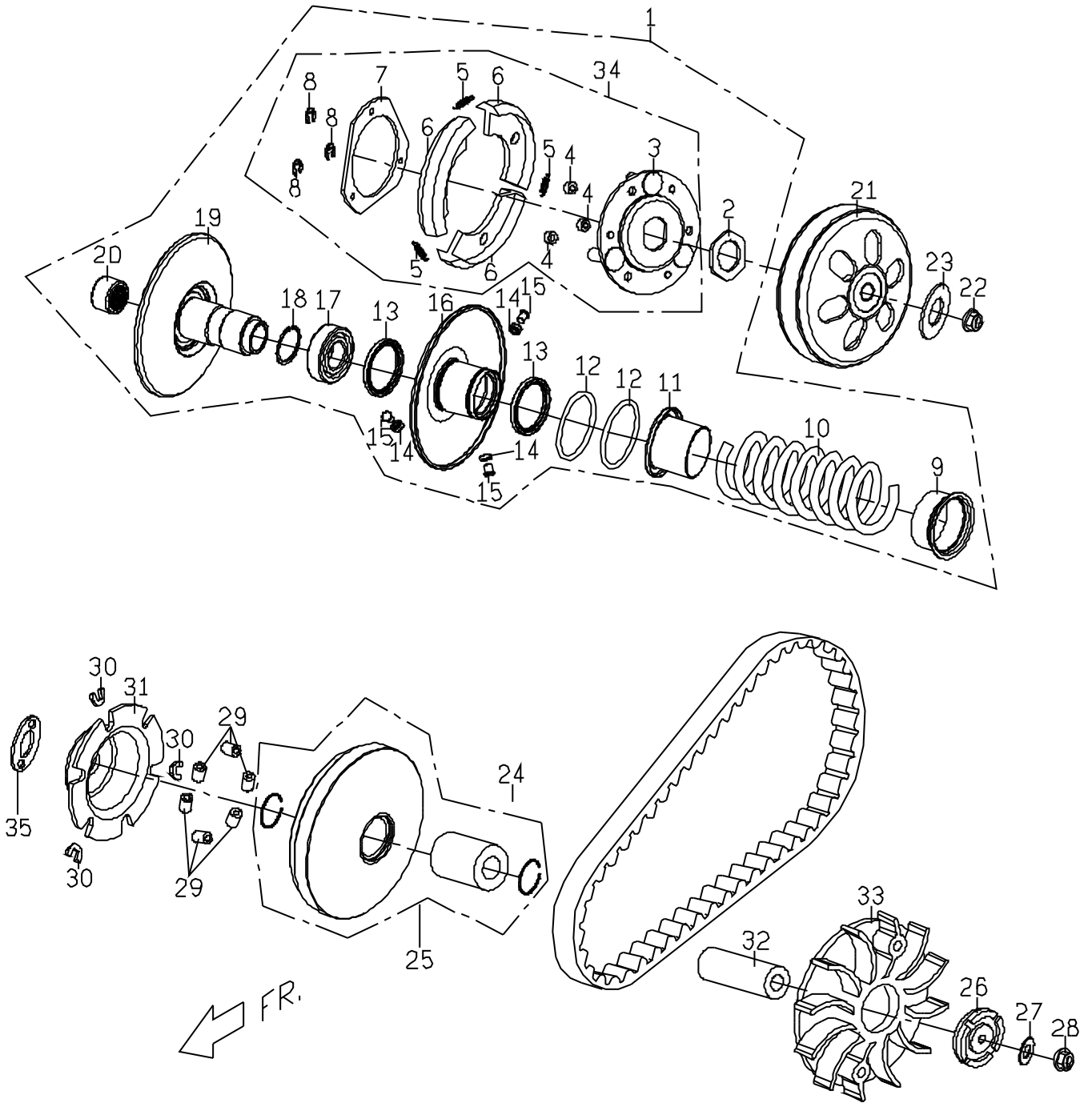
E5 STARTING MOTOR, OIL PUMP



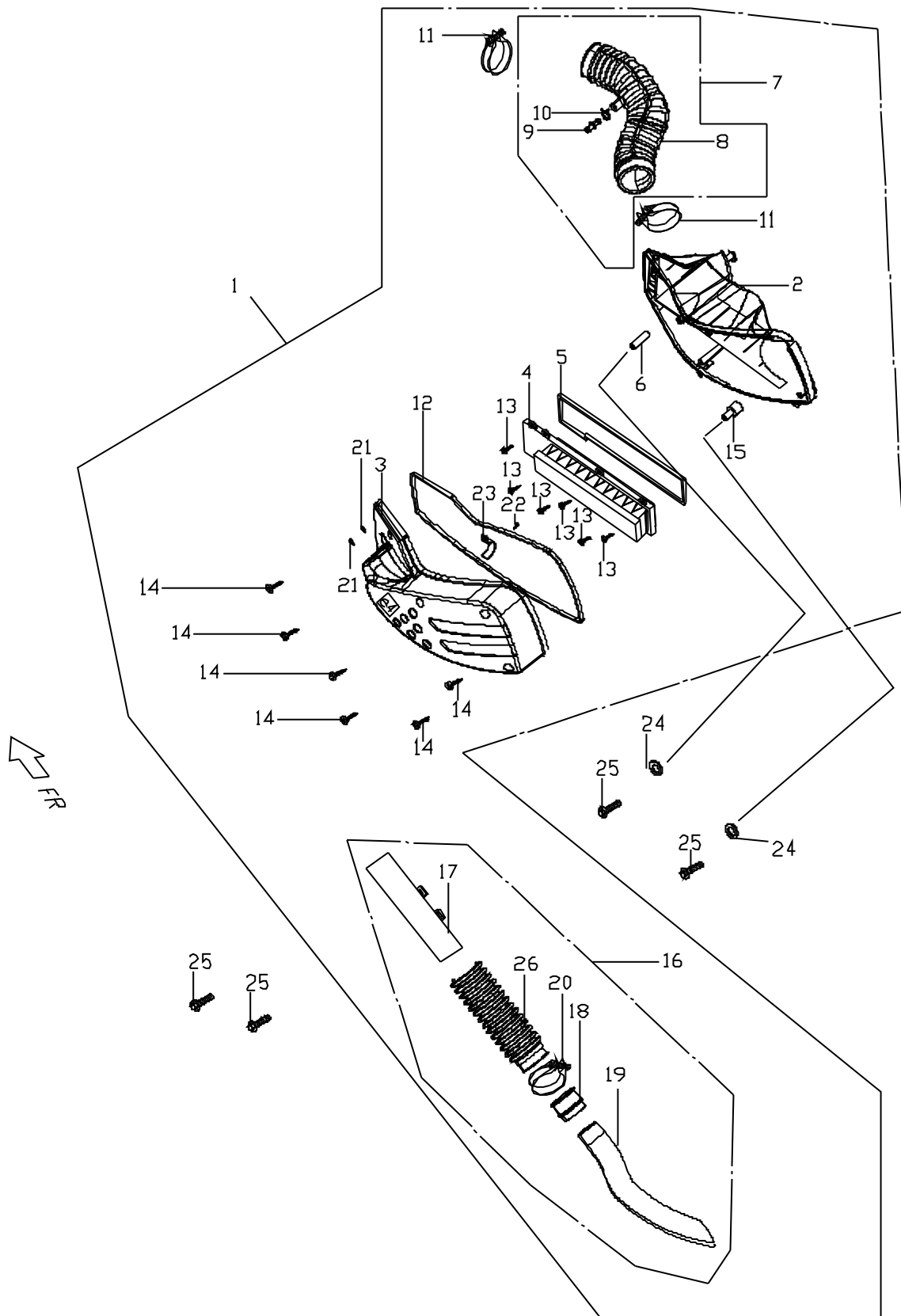
E6 CARBURETOR



E7 DRIVEN PULLEY

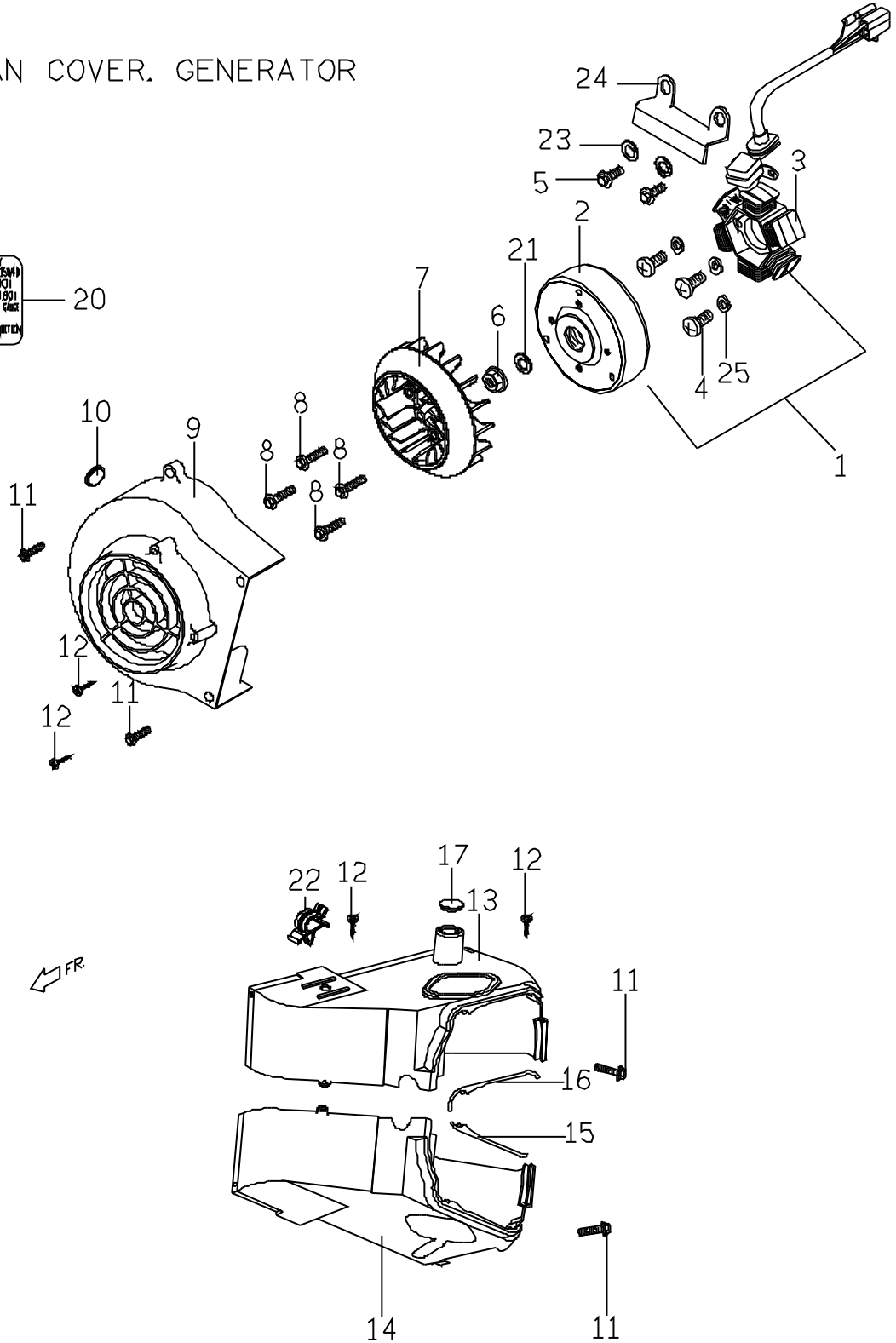


E8 AIR CLEANER COMP.

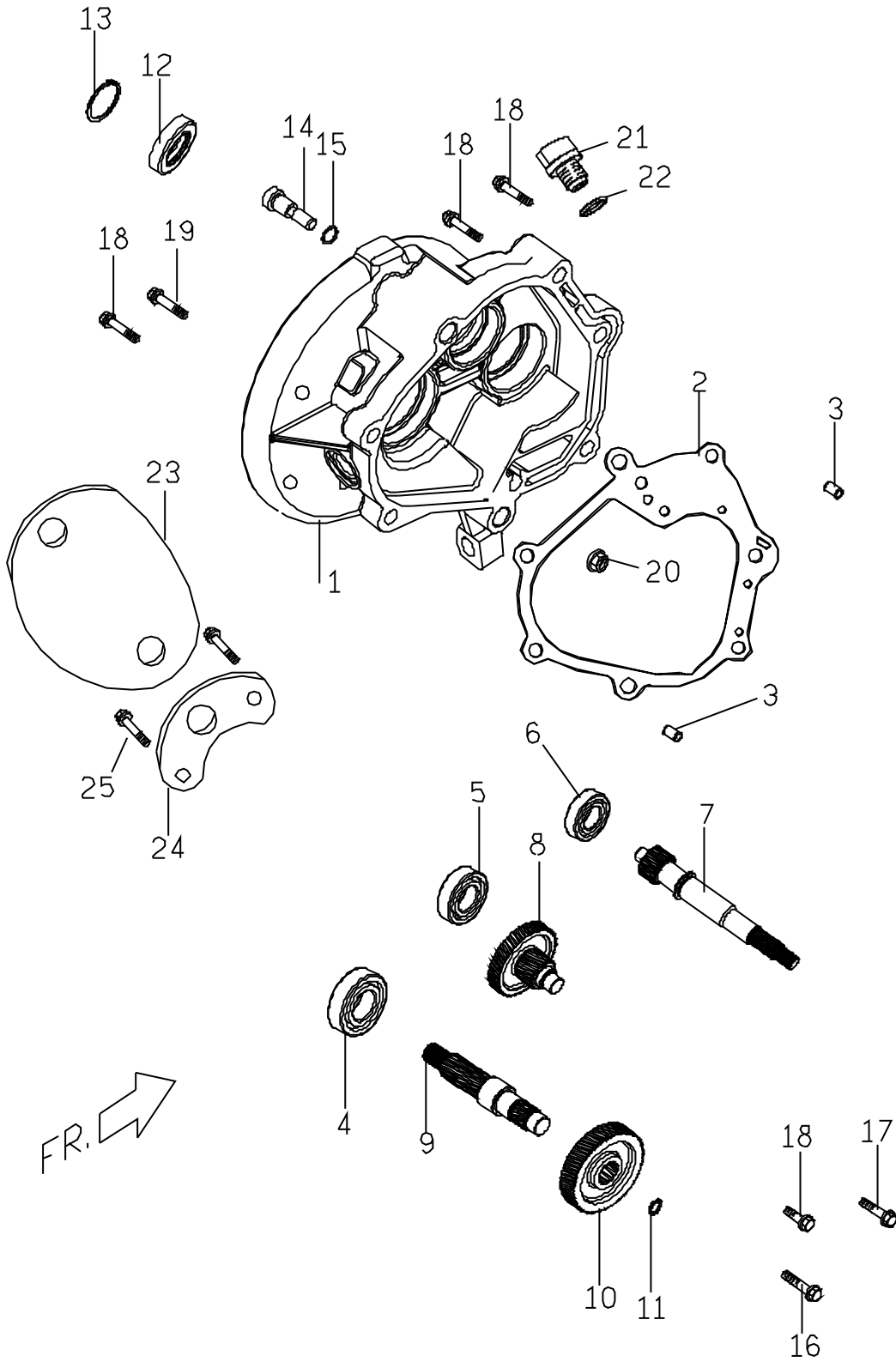


E9 FAN COVER. GENERATOR

ENGINE OIL QUANTITY
PLEASE USE ASSIGNED OIL SAE 15W40
TOTAL QUANTITY:0.90L
DISPLACEMENT QUANTITY:0.80L
AFTER OIL PLACEMENT PLEASE USE OIL LEVEL GAUGE
TO CHECK IF IT IS CORRECT.
CHECK OIL LEVEL IN IDLE WITH ENGINE HOT
EVER 2 MINUTES OF IDLE.

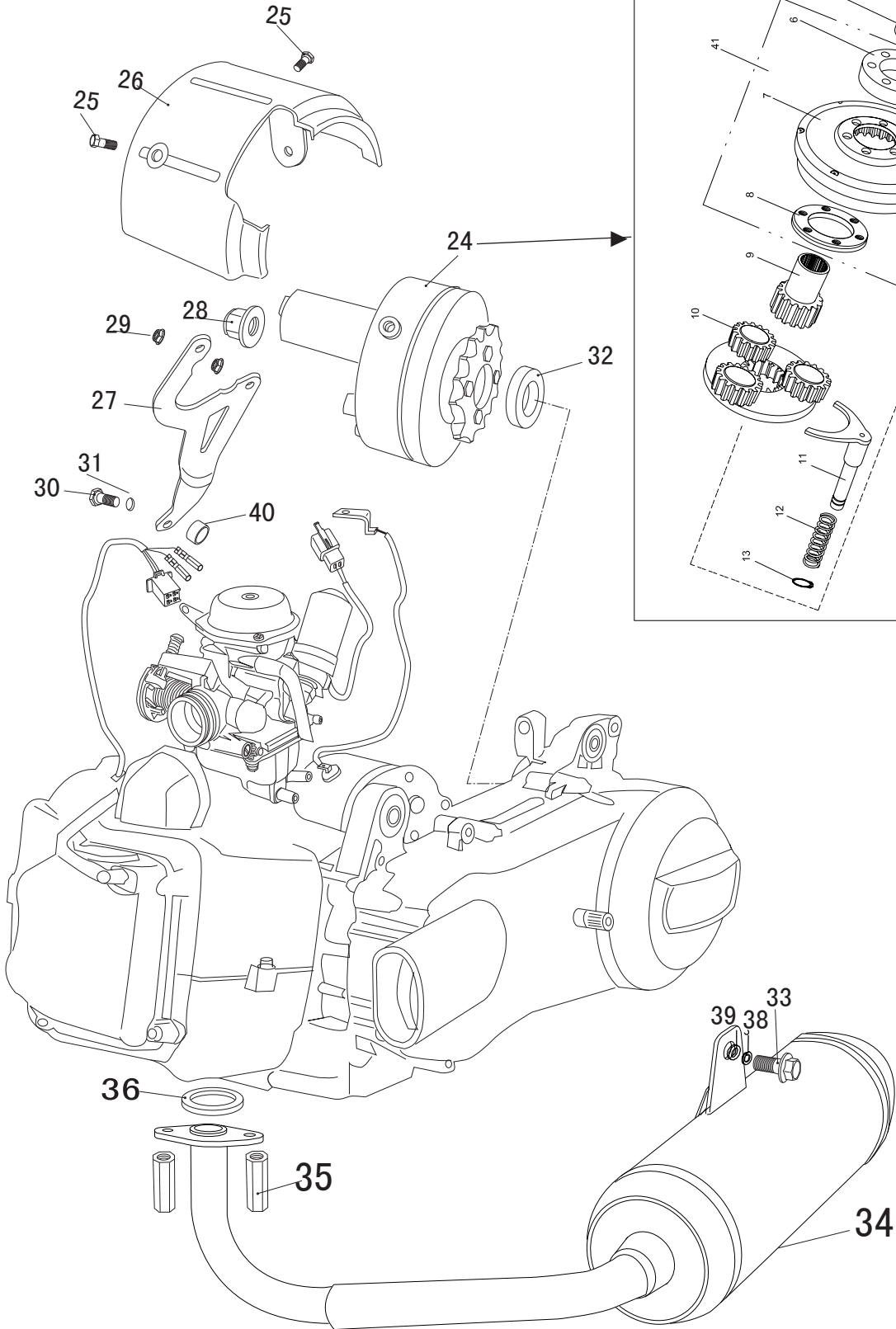


E10 TRANSMISSION



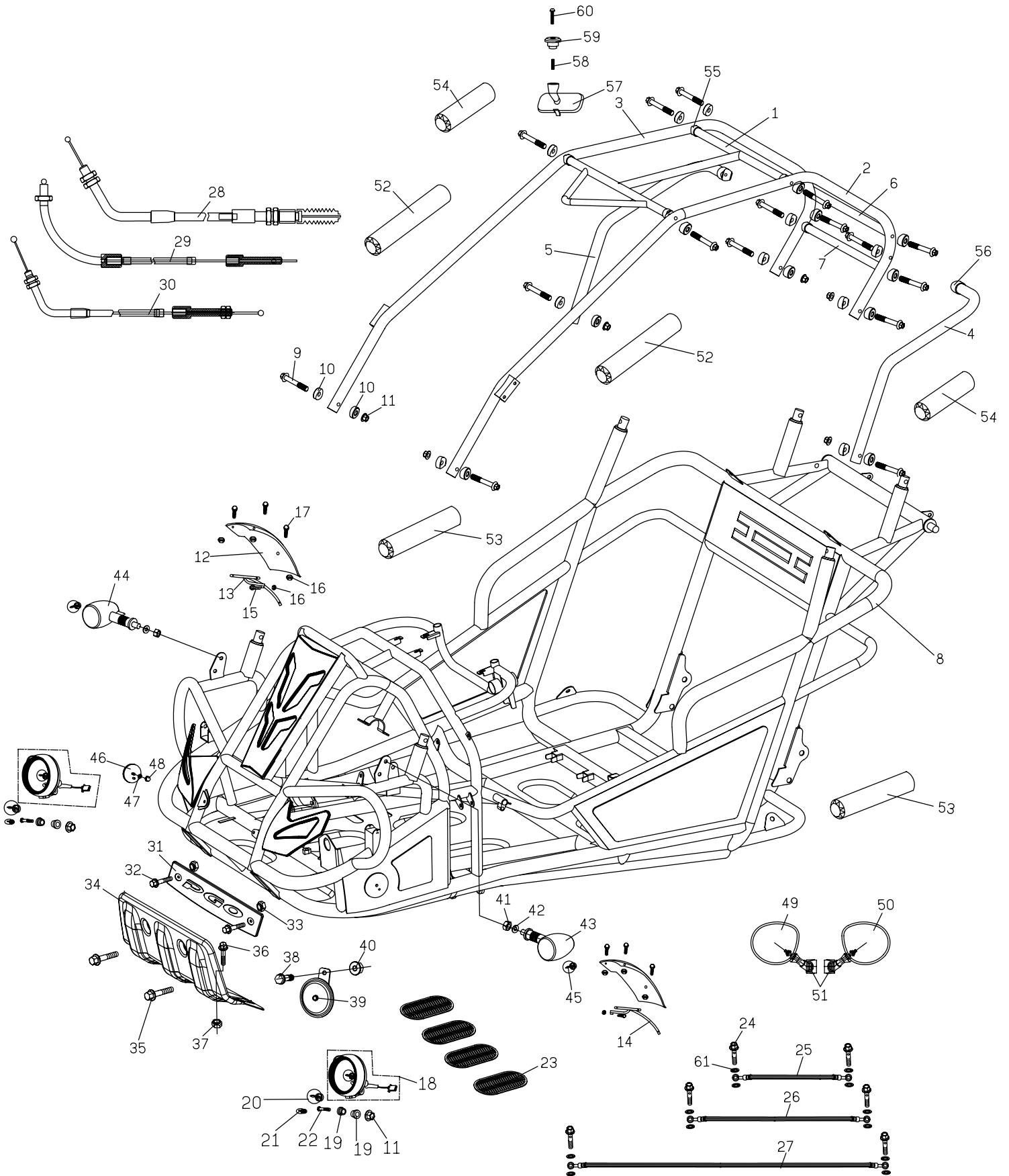
F1.

ENGING/MUFFLER



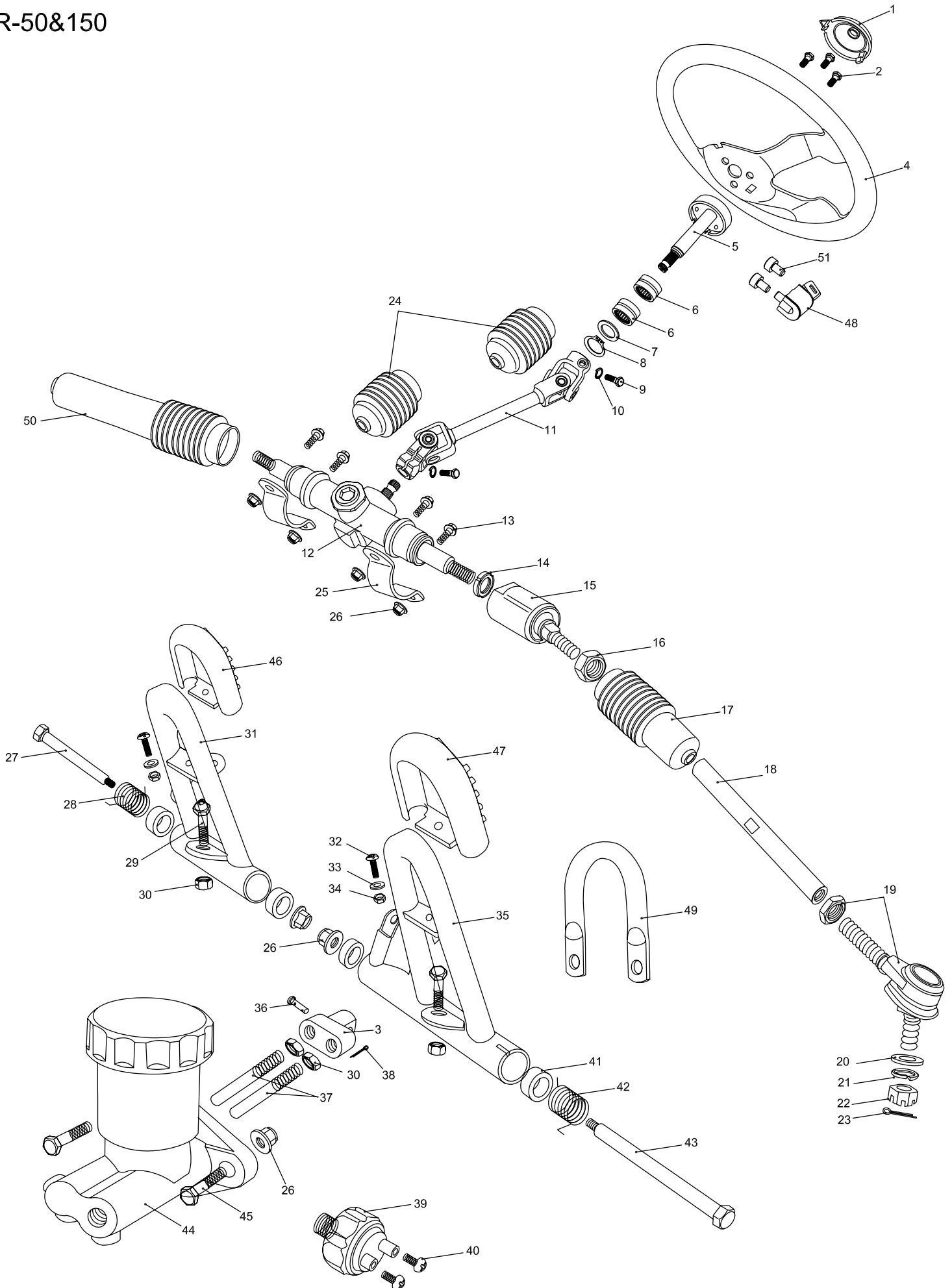
F3.FRAME GROUP

BR150



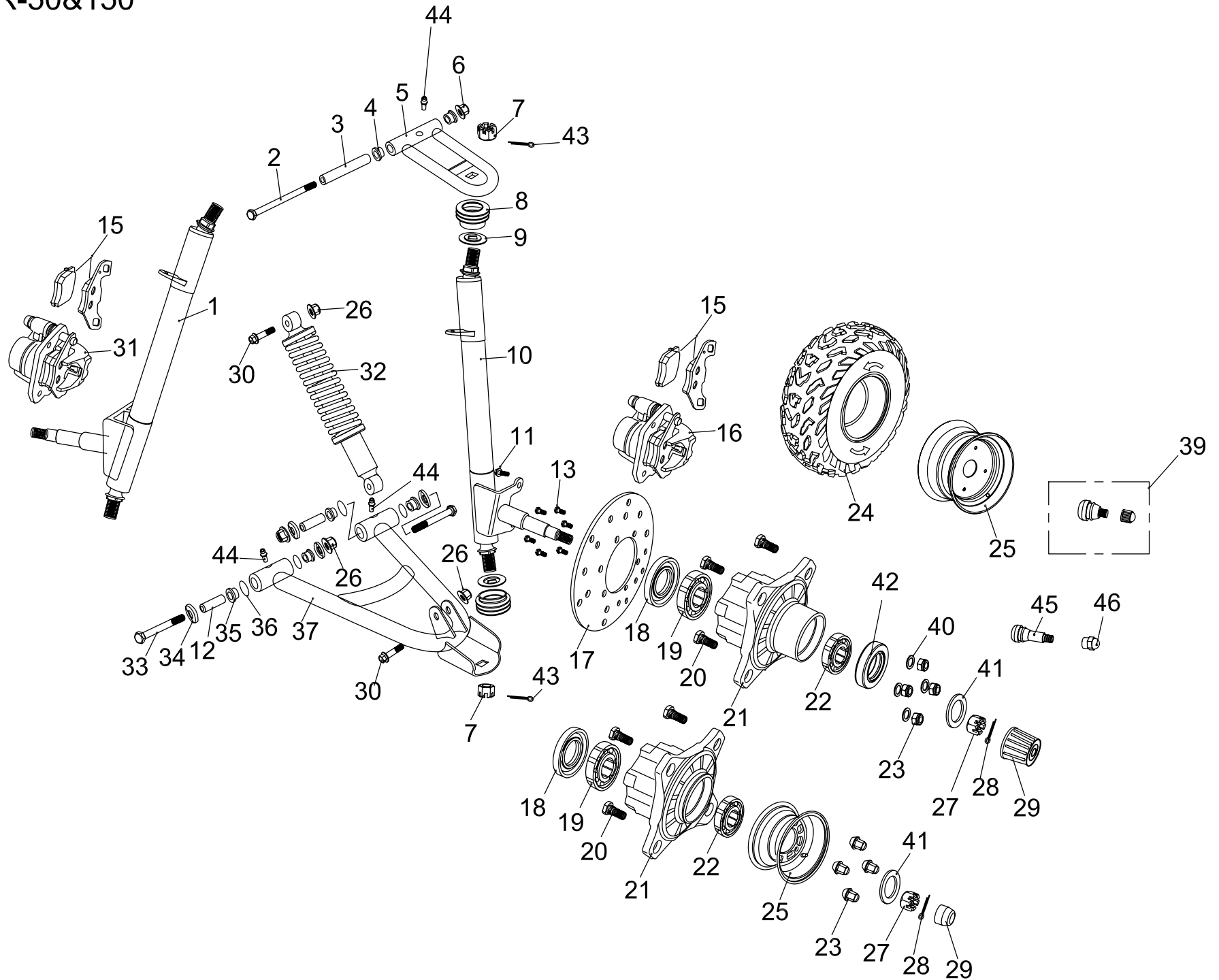
F4. STEERING SHAFT ASSY.

BR-50&150



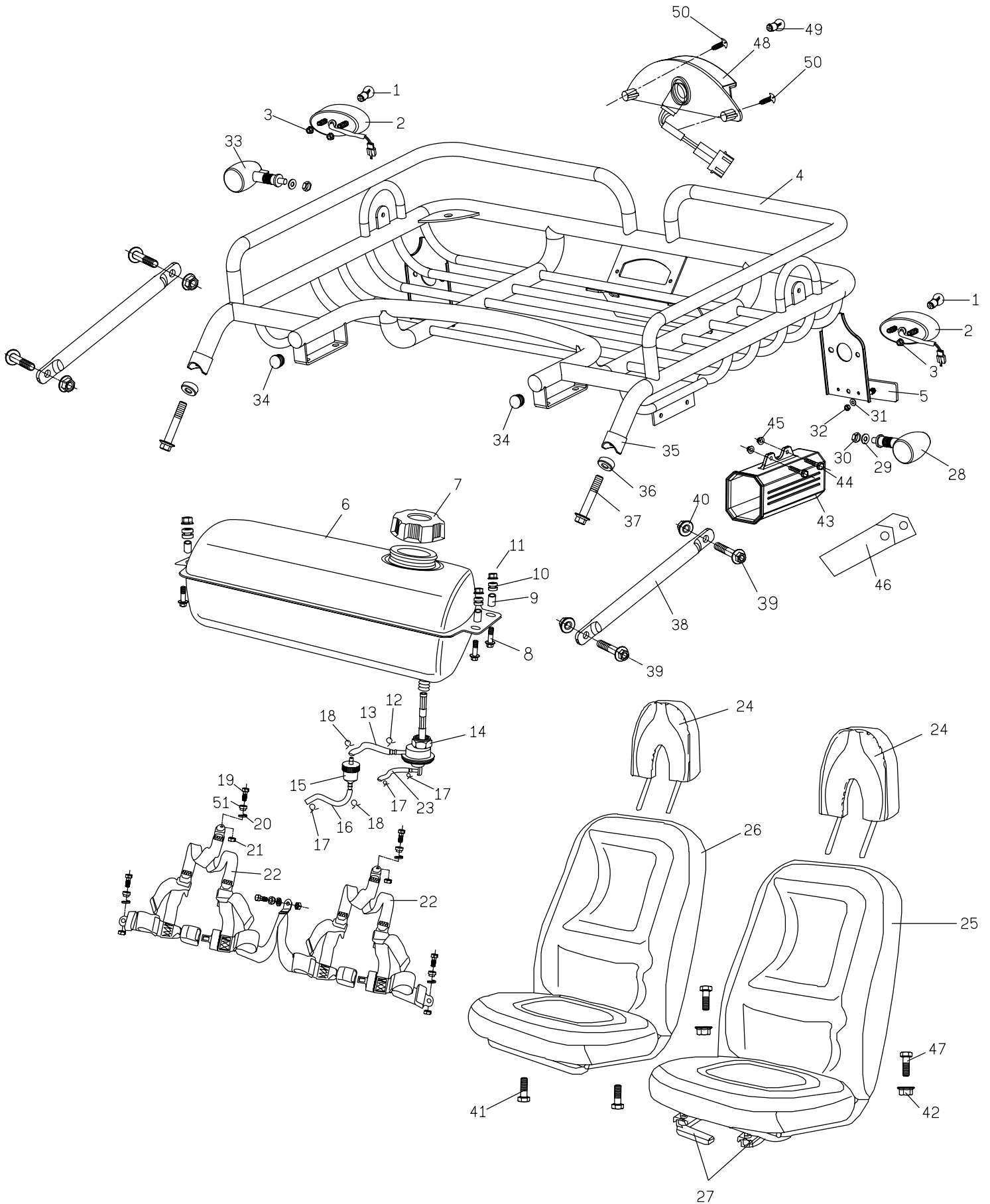
F5.SUSPENSION ARM ASSY.

BR-50&150



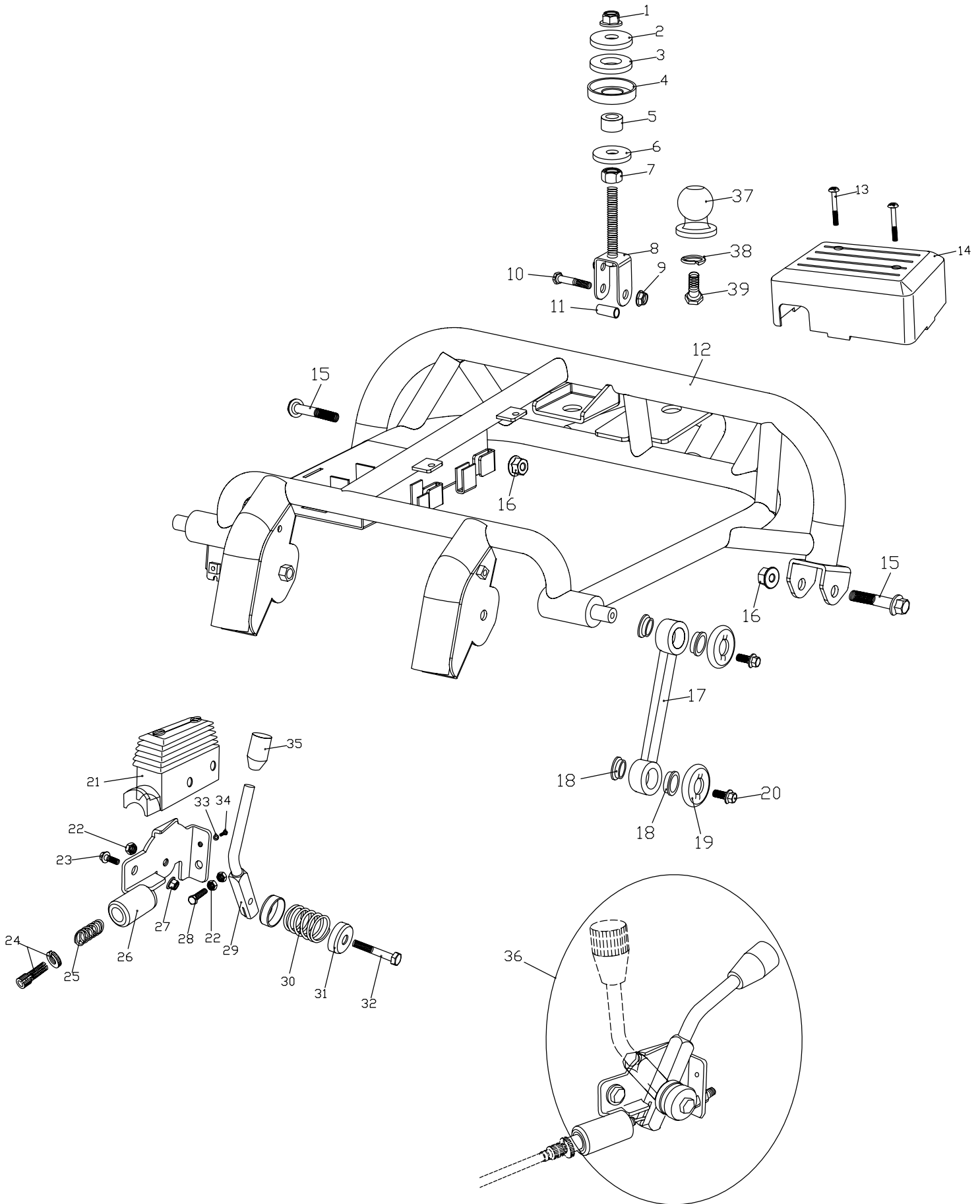
F6.REAR CARGO RACK/SEAT/BELT

BR50&150



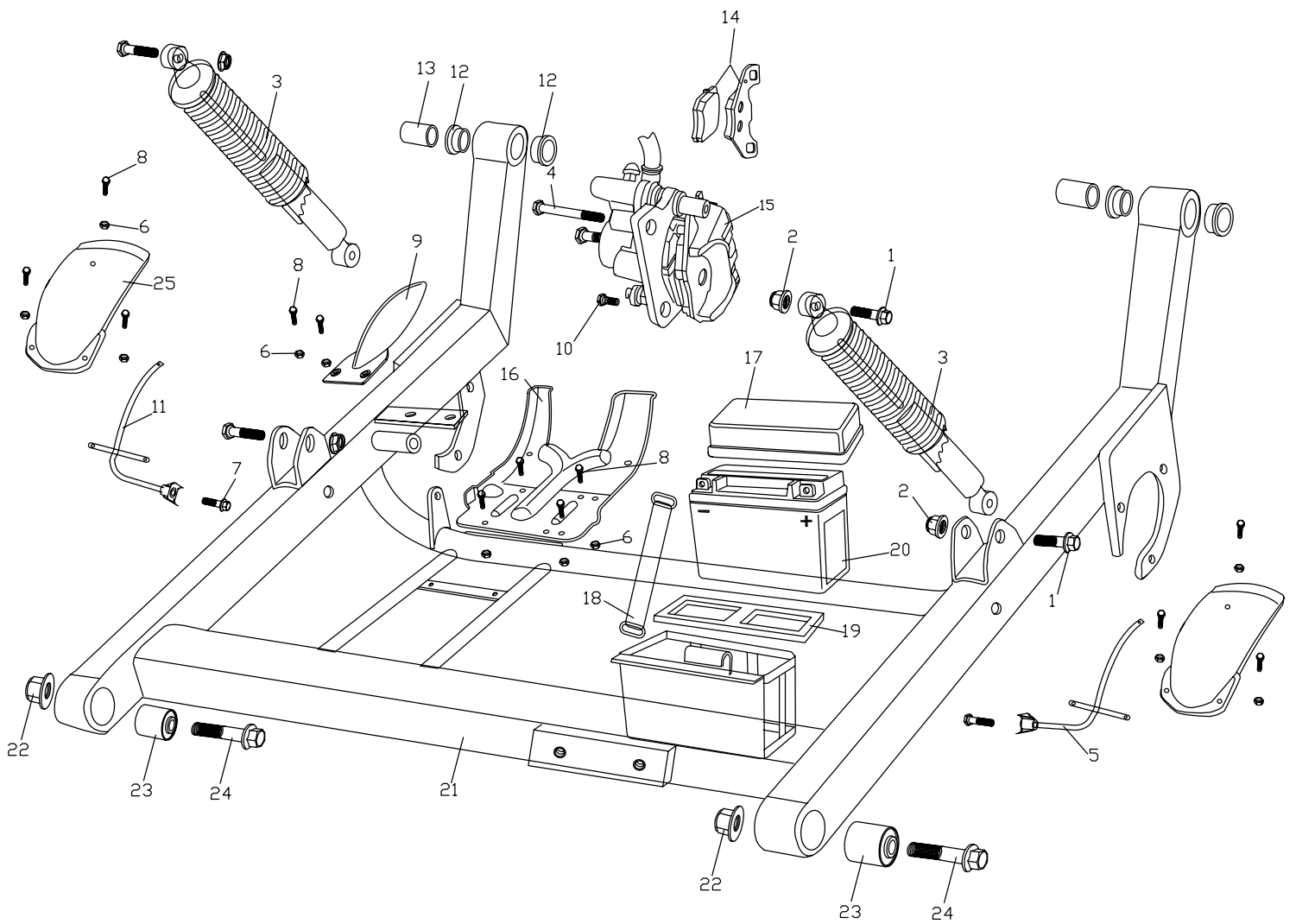
F8.REAR SWING ARM ASSY.UPPER

BR150



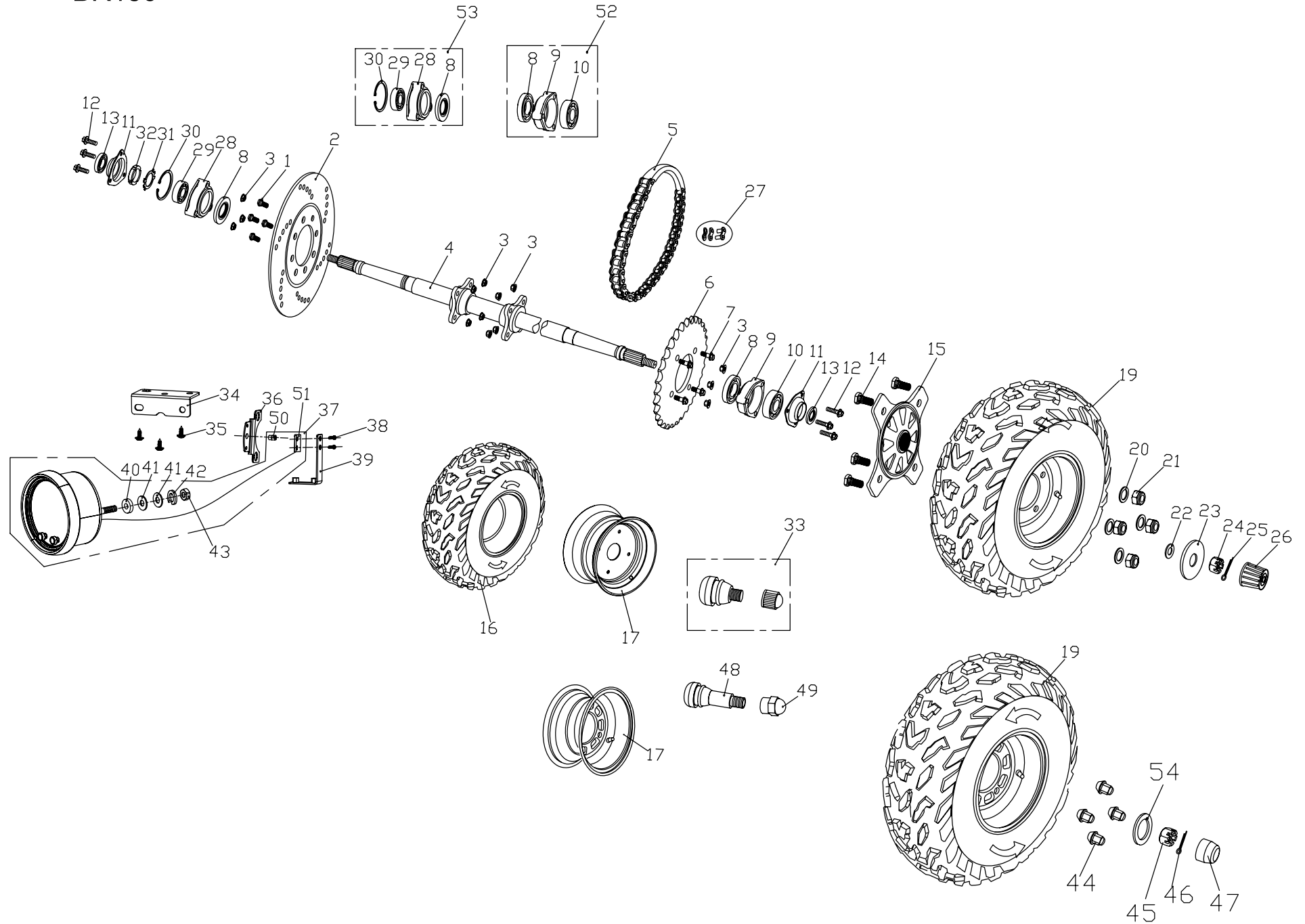
F10.REAR SWING ARM

BR150



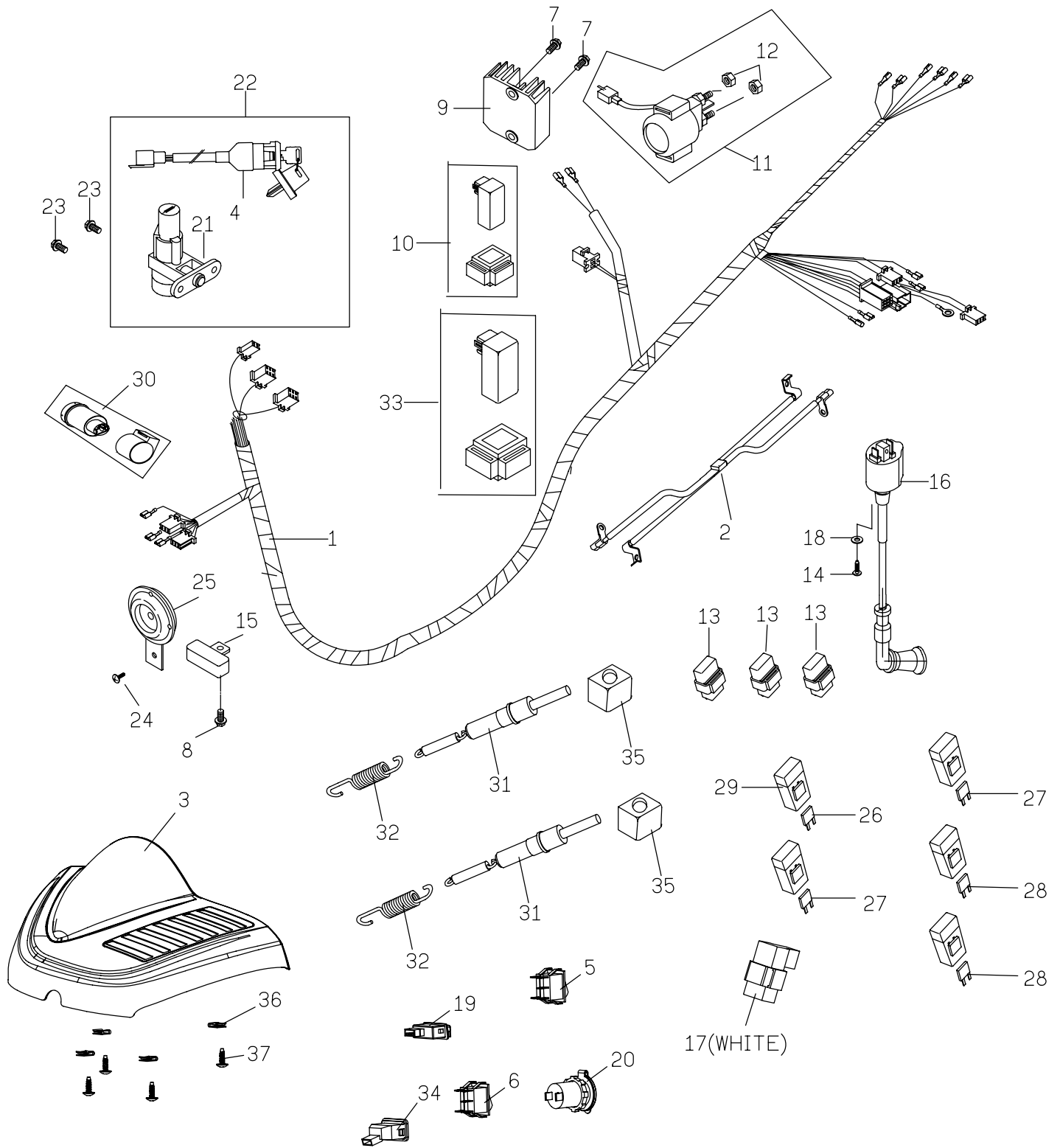
F12.REAR HOUSING

BR150



F14.WIRE HARNESS/ELECTRICAL

BR-150



F16. BR-150 LABELS

