

ACE

TOWER CRANES

Tower Cranes

ACE INDIA'S NO. 1
MOBILE & TOWER CRANE CO.



INDIA'S 70 MOST TRUSTED
POWER
BRANDS

About ACE



Corporate Office

The policy of responding with speed and expertise has been rewarded over the years in the form of repeat business, resulting in constant growth of the company and making us one of the leading companies in the Mobile Cranes, Tower Cranes and Construction Equipment sector in the country.

ACE - Action Construction Equipment Limited is India's largest Mobile Crane and Tower Crane manufacturing company. In addition to Tower Cranes, ACE also offers Mobile Cranes, Loaders, Vibratory Roller, Truck Mounted Cranes, Crawler Cranes, Forklifts, Tractors and other Construction Equipment. ACE has a consolidated presence in all major Infrastructure, Construction, Heavy Engineering and Industrial Projects across the country.



Corporate Office

Another factor driving our growth has been the versatility of our equipment to satisfy a vast range of possible applications. Our equipment has been successfully used in many sectors like Infrastructure Construction, Power, Ports & Shipyards, Dams, Metro Rail, Roads, Mining, Steel, Engineering, Automobile, Railways, Cement, Petroleum, Defence, Chemicals & Fertilizer, Warehousing, Logistics, Building Construction etc., to name a few.



Tower Crane Plant



International Brand Consulting Corp., USA
India's Most Trusted Company 2017



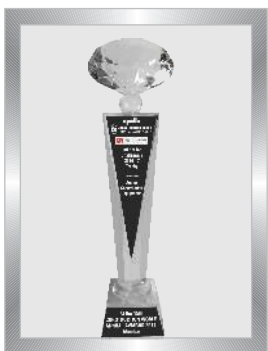
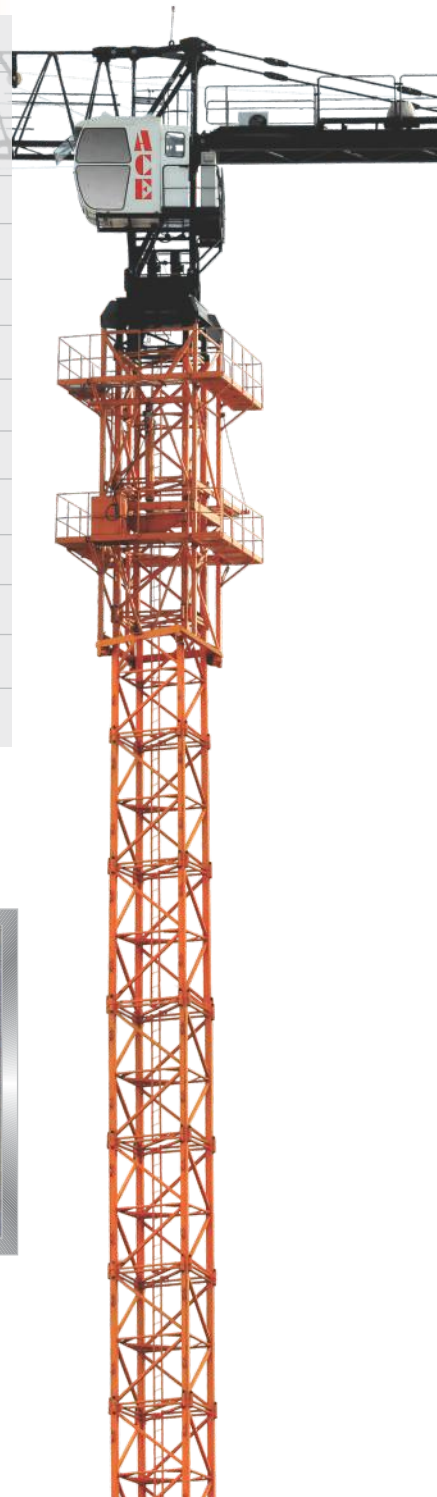
Planman Media
Power Brands India
Super Power Edition 2017-18
India's 70 Most Trusted Power Brands



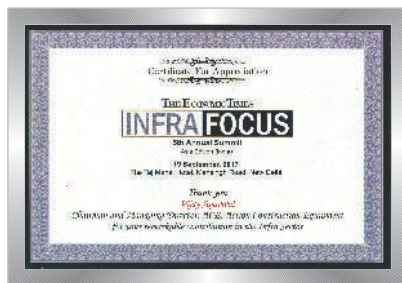
Equipment India
Best Seller in Mobile Cranes 2017

TOWER CRANE RANGE

Model	Maximum Capacity (t)	Free Standing Height (m)	Jib Length (m)	Tip Load (t)	Mast Size L x B x H (m)	Mast Types
TOWER CRANES - SELF ERECTING						
MTC-2418	1.6	24	18	0.55	(-)	
MTC-3625	2.5	36	25	0.80	(-)	
TOWER CRANES - FIXED / INNER CLIMBING / RAIL MOUNTED						
TC 5034	5	34.5	50	1.3	1.2 x 1.2 x 3.0	L12.16
TC 5040	5/6	40.0	50	1.3	1.6 x 1.6 x 2.8	B16.10
TC 5540	5/6	40.0	55	1.0	1.6 x 1.6 x 2.8	B16.10
TC 5040T	5	40.0	50	1.3	1.6 x 1.6 x 2.8	B16.10
TC 5540T	5	40.0	55	1.0	1.6 x 1.6 x 2.8	B16.10
TC 6040	5/6	40.0	60	1.0	1.6 x 1.6 x 2.8	B16.12
TC 6040B	5/6	40.0	60	1.0	1.6 x 1.6 x 2.8	B16.12
TC 6544	6/8	45.0	65	1.3	1.8 x 1.8 x 2.8	B18.12
TC 6552	10	51.3	65	2.0	1.83 x 1.83 x 3.0	B18.14
TC 7052	12	52.0	70	3.0	2.15 x 2.15 x 3.0	B20.16A
TC 7053	16	52.0	70	2.7	2.15 x 2.15 x 3.0	B20.16A
TC 7054	16	52.0	70	3.5	2.15 x 2.15 x 3.0	B20.16B
TC 7059	20	59.0	70	5.2	2.15 x 2.15 x 3.0	B20.16C
TC 7074	25	73.0	70	5.2	2.50 x 2.50 x 5.95	B25.16



Construction Word
 Annual Awards 2017
 India's Top Challengers
 2016-17 Trophy



The Economic Times
 Economic Times
 Infra Focus – 2017

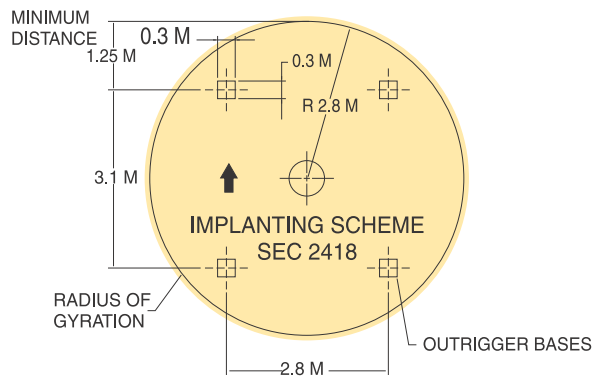
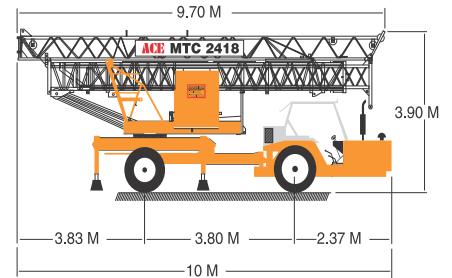
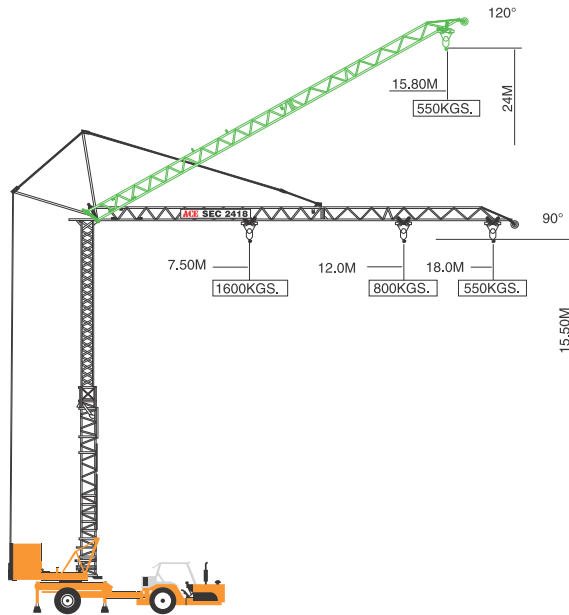


Equipment India
 Best seller in
 Mobile Cranes Category
 2016

MTC 2418 Mobile Tower Crane

1.6 t

- MTC-2418 is an **all-terrain, self propelled** mobile tower crane, with a road speed of 25 km/hr. A differential lock enables it to get out of tough spots.
- MTC-2418 is **self erecting/self-folding**. Operations can be easily affected in a few minutes by a single operator through a remote control pod.
- MTC-2418 is **remote controlled**. It facilitates the operator to position himself in such a way that he can see both picking as well as dumping points for precise load positioning.
- A **built-in generator**, driven by the prime mover's engine makes MTC-2418 totally independent of any outside electric source. The crane only uses a part of the power and the generator can be used to supply other electrical equipment like mixers, vibrators and job site lighting systems.
- An articulated chassis and hydraulic steering system enables a very **short turning radius and easy positioning**.
- Stabilizers are of out and down type and can be retracted into the lower chassis to satisfy **road clearance codes**.



ALL DIMENSIONS IN METRES ±5%

Horizontal jib position	Height	15.5 mtrs.
	Length	7.5 mtrs. 18 mtrs.
	Capacity	1600 Kgs. 550 Kgs.
Raised jib position	Height	24 mtrs.
	Length	7.2 mtrs. 15.8 mtrs.
	Capacity	1600 Kgs. 550 Kgs.
Speed	Trolleying	33m/min.
	Hoisting	15m/min. & 30m/min.
	Slewing	1 RPM
Electrical motors	Trolleying	1.5 H.P.
	Hoisting	7.5 H.P.
	Slewing	2.0 H.P.
Electric Power	10.25 KVA	
Engine (Prime mover)	Four cylinder, water cooled, diesel engine developing 49 BHP at 2300 RPM. Model A498	
Generator Power Developed	20 KVA	
Total weight with Ballast	13500 Kgs.	
Total weight without Ballast	8700 Kgs.	
Transportation Dimensions	Width	2.5 mtrs.
	Length	10 mtrs.
	Height	3.9 mtrs.
Front axle load	5300 Kgs.	
Rear axle load	8200 Kgs.	
Safety device	<ul style="list-style-type: none"> • Circuit breakers • Overload limit switch • Moment limit switch • Hoist limit switch • Trolley limit switch 	
Variant Model	MTC 2418 T Mounted on a towable trailer without prime mover.	

MTC 2418



MTC 2418 T - Mounted on a towable trailer



MTC 3625 Mobile Tower Crane

2.5 t

● MTC-3625 is a **self erecting/self folding** mobile tower crane. Operations can be easily affected by a single operator, through a remote control pod.

● The crane is mounted on a **towable type trailer** with compact dimensions for easy transportation.

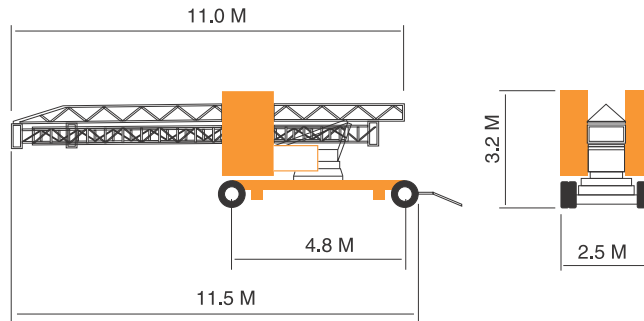
● MTC-3625 is **controlled by a remote**. This facilitates the operator to position himself in such a way that he can see both picking as well as dumping points for precise load positioning.

● To minimise dead weight for long distance transportation, the counter weight box is designed with trap doors to enable **general ballast use as counter weight**.

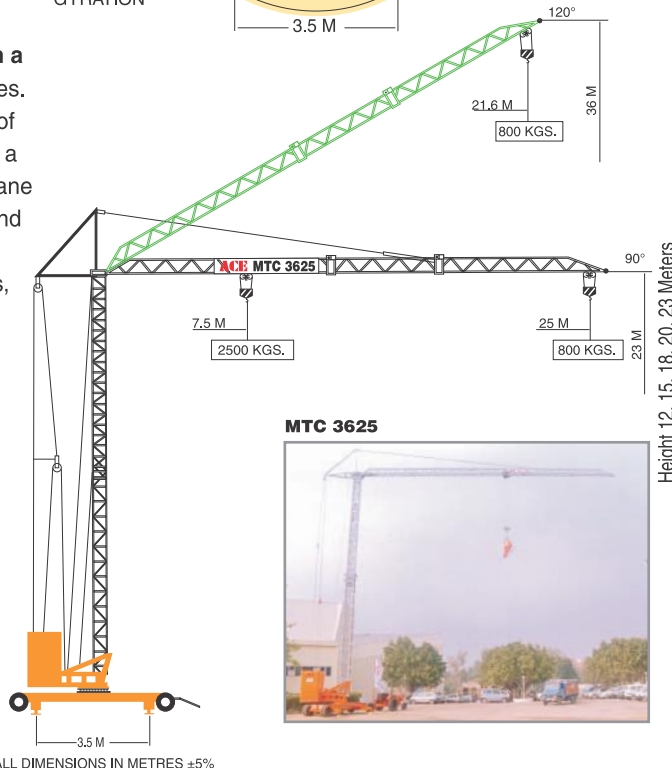
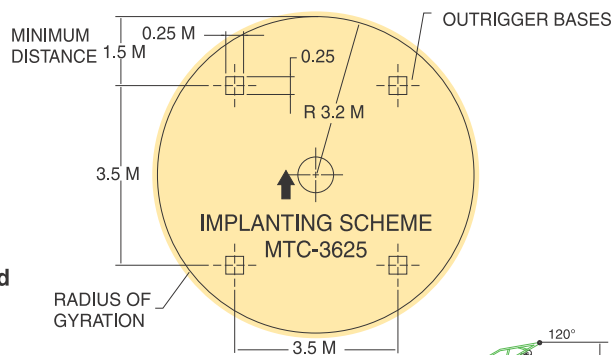
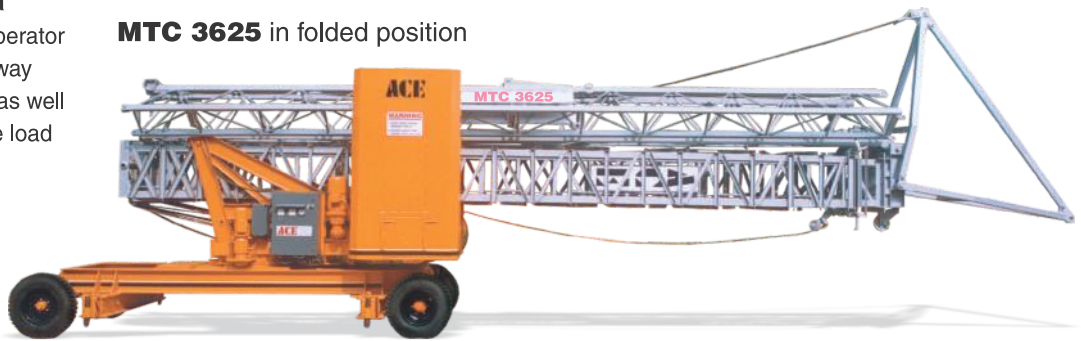
● The chassis design enables a short turning radius and **easy positioning**.

● Stabilizers are out and down type and can be reiterated into the lower chassis to satisfy **road clearance codes**.

● **An optional prime mover with a built-in 25KVA generator**, makes MTC-3625 totally independent of any outside electric source and a separate carrier vehicle. The crane uses only a part of the power and the generator can be used for other site equipment like mixers, vibrators and job site lighting systems.



MTC 3625 in folded position



Horizontal jib position	Height Reach Capacity	23 mtrs. 7.5 mtrs. 25 mtrs. 2500 Kgs. 800 Kgs.
Raised jib position	Height Reach Capacity	36 mtrs. 7.2 mtrs. 21.6 mtrs. 2500 Kgs. 800 Kgs.
Speed	Trolleying Hoisting Slewing	30m/min. 20m/min. & 40m/min. 1 RPM
Electrical motors	Trolleying Hoisting Slewing	1.5 H.P. 10.0 H.P. 2.0 H.P.
Electric Power		12.5 KVA
Total weight with Ballast		17000 Kgs.
Total weight without Ballast		8000 Kgs.
Transportation Dimensions	Width Length Height	2.5 mtrs. 11.5 mtrs. 3.2 mtrs.
Safety device		<ul style="list-style-type: none"> • Vfd • Circuit breakers • Overload limit switch • Moment limit switch • Hoist limit switch • Trolley limit switch
Optional		Prime mover fitted with 49 BHP, water cooled diesel engine and a 25 KVA alternator.

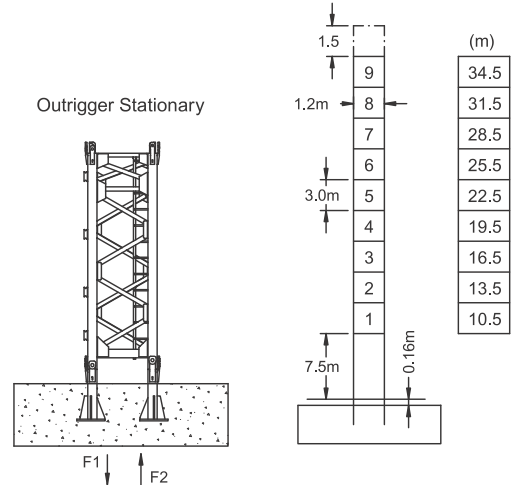
ALL DIMENSIONS IN METRES ±5%

TC 5034 Tower Crane

5 t

Load Capacity

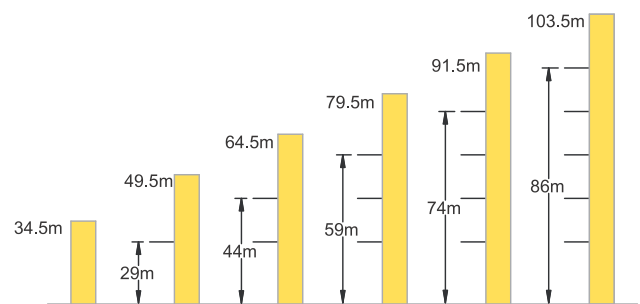
Jib Length	Radius (m)		15	17	20	22	25	28	30	32	35	40	45	50
	50m	Hoisting Load (t)		5.00	4.30	3.60	3.20	2.70	2.50	2.40	2.20	2.00	1.70	1.50
45m	Hoisting Load (t)		2.50						2.40	2.20	2.00	1.70	1.50	1.30
			2.50						2.50	2.40	2.20	1.85	1.59	
40m	Hoisting Load (t)		5.00	4.80	3.90	3.50	3.00	2.50	2.50	2.45	2.20	1.92		
			2.50						2.50	2.45	2.20	1.92		
35m	Hoisting Load (t)		5.00	4.80	3.90	3.50	3.00	2.75	2.50	2.45	2.20			
			2.50						2.50	2.45	2.20			
30m	Hoisting Load (t)		5.00	4.80	3.90	3.50	3.00	2.75	2.50					
			2.50						2.50					
25m	Hoisting Load (t)		5.00	4.80	3.90	3.50	3.10							
			2.50											



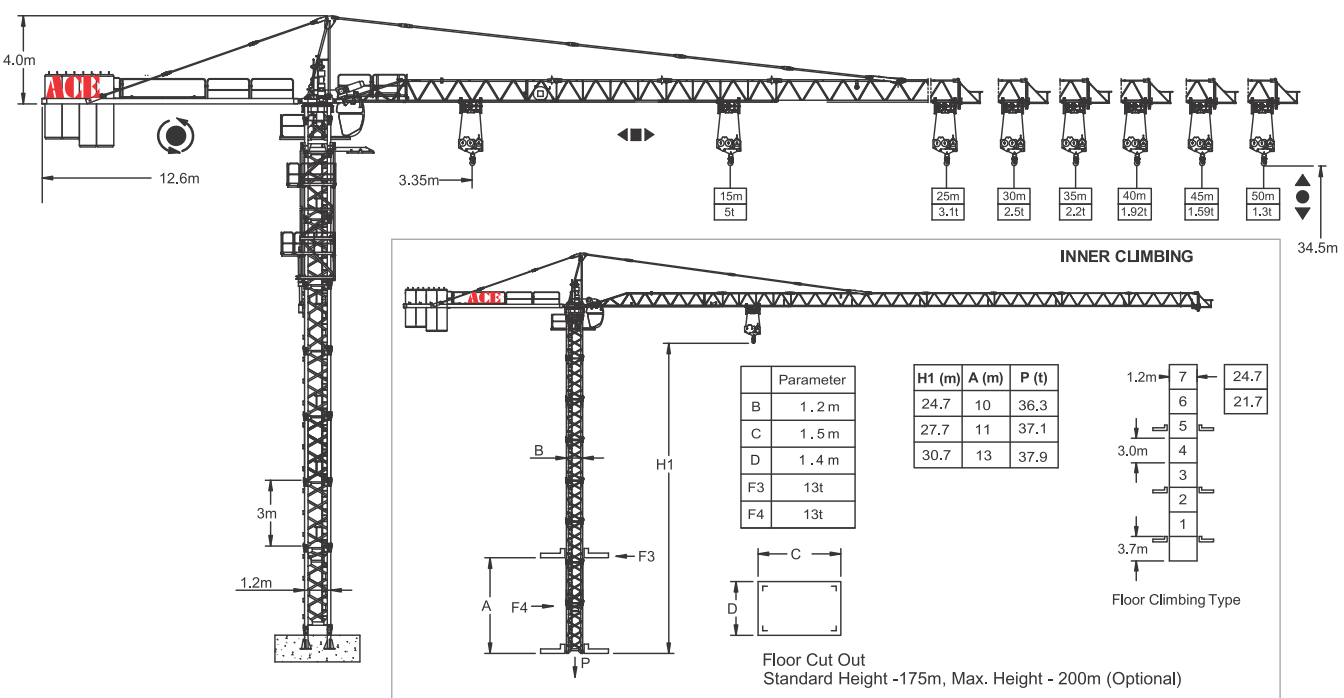
Specifications

Hoisting	No of Falls		
	Speed (m/min)	7 35 70 3.5 17.5 35	
	Hoisting Load (t)	2.6 2.6 1.3 5.0 5.0 2.6	
	Power (kw)	3.5 18.0 18.0 3.5 18.0 18.0	
Slewing	Speed(rpm)	0 ~ 0.8	
	Power(kw)	4	
Trolley	Speed(m/min)	40	20
	Power(kw)	3.3	2.2
Climbing	Speed(m/min)	0.55 - 0.7	
	Power(kw)	5.5	
Main Supply	415V / 50Hz		
Electric Power	25.3 kw (31.7 kVA)		

F1		75t		90t	
F2		55.5t		72.5t	22t



Anchorage Diagram



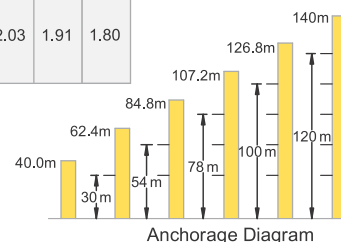
F Reaction In Service Out of Service Dead weight without load and counter weights but with longest jib and free standing height.
P - Vertical load

TC 5040 Tower Crane

5 t

Load Capacity

Jib Length 50m	Radius (m)	2.5~16	18	20	22	24	26	28	30	32	34	36	38	40	42	44	46	48	50
	Hoisting Load (t)	5.00	4.56	4.04	3.62	3.27	2.97	2.72	2.50	2.31	2.15	2.00	1.87	1.75	1.64	1.54	1.46	1.37	1.30
Jib Length 44m	Radius (m)	2.5~18	20	22	24	26	28	30	32	34	36	38	40	42	44				
	Hoisting Load (t)	5.00	4.62	4.14	3.74	3.41	3.13	2.88	2.67	2.48	2.31	2.16	2.03	1.91	1.80				
Jib Length 38m, 32m, 26m	Radius (m)	2.5~18	20	22	24	26	28	30	32	34	36	38							
	Hoisting Load (t)	5.00	4.88	4.38	3.96	3.61	3.31	3.05	2.83	2.63	2.46	2.30							



Note:-

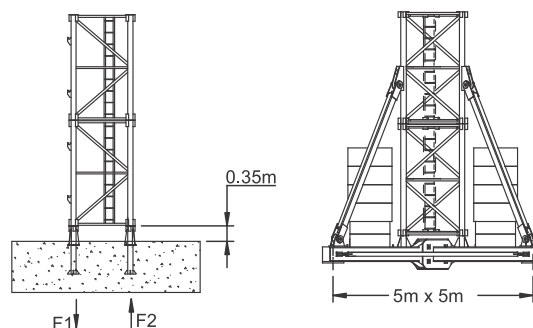
TC 5040 is also available with 32 Mtrs & 26 Mtrs Jib length optionally

Specifications

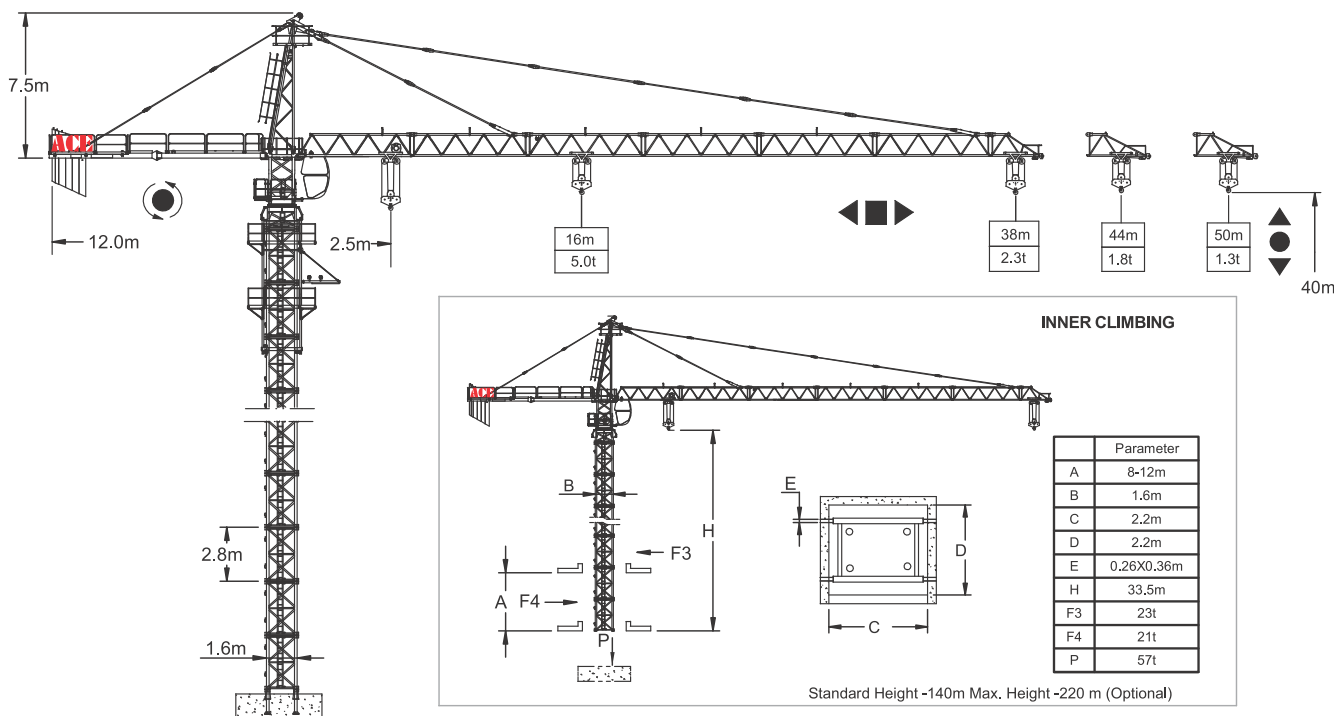
Hoisting	No of Falls						
	Speed (m/min)	11.75	40	80	5.87	20	40
	Hoisting Load (t)	2.5	2.5	1.28	5	5	2.56
	Power (kw)	5	18	18	5	18	18
Slewing	Speed (rpm)	0 ~ 0.6					
	Power (kw)	5.5					
Trolley	Speed (m/min)	40		20			
	Power (kw)	3.3		2.2			
Climbing	Speed (m/min)	0.55 - 0.7					
	Power (kw)	5.5					
Main Supply	415V / 50Hz						
Electric Power	26.8kw (33.5kVA)						
Optional	6 Ton Max. Capacity Mechanism at 14.16m						

Outrigger Stationary

Chassis Stationary/Rail Mounted



F1		68t		86t		31t
F2		46t		71t		



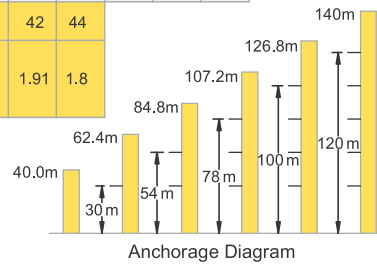
F Reaction In Service Out of Service Dead weight without load and counter weights but wth longest jib and free standing height.
 P - Vertical load

TC 5540 Tower Crane

5 t

Load Capacity

Jib Length	Radius (m)		2.5~13.64	16	18	22	24	26	28	30	32	34	36	38	40	42	44	46	48	50	53	55	
	55m	Hoisting Load (t)	Icon	5.00	4.70	3.90	3.24	2.93	2.66	2.43	2.24	2.06	1.91	1.78	1.66	1.55	1.46	1.37	1.29	1.21	1.15	1.06	1.00
		Icon	2.50																				
Jib Length 50m	Radius (m)		2.5~16	18	22	24	26	28	30	32	34	36	38	40	42	44	46	48	50				
	Hoisting Load (t)	Icon	5.00	4.56	3.62	3.27	2.97	2.72	2.48	2.31	2.15	2.00	1.87	1.75	1.64	1.54	1.46	1.37	1.30				
		Icon	2.50																				
Jib Length 44m	Radius (m)		2.5~18	22	24	26	28	30	32	34	36	38	40	42	44								
	Hoisting Load (t)	Icon	5.00	4.14	3.74	3.43	3.13	2.88	2.67	2.48	2.31	2.16	2.03	1.91	1.8								
		Icon	2.50																				
Jib Length 38m	Radius (m)		2.5~18	22	24	26	28	30	32	34	36	38											
	Hoisting Load (t)	Icon	5.00	4.38	3.96	3.61	3.31	3.05	2.83	2.63	2.46	2.30											
		Icon	2.50																				

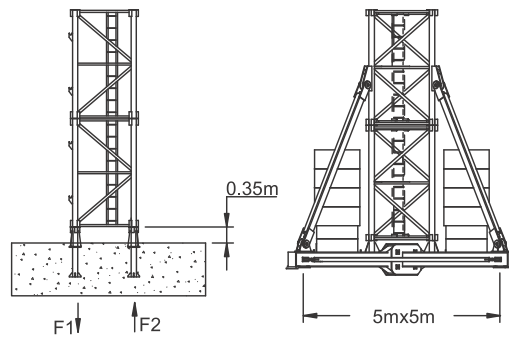


Specifications

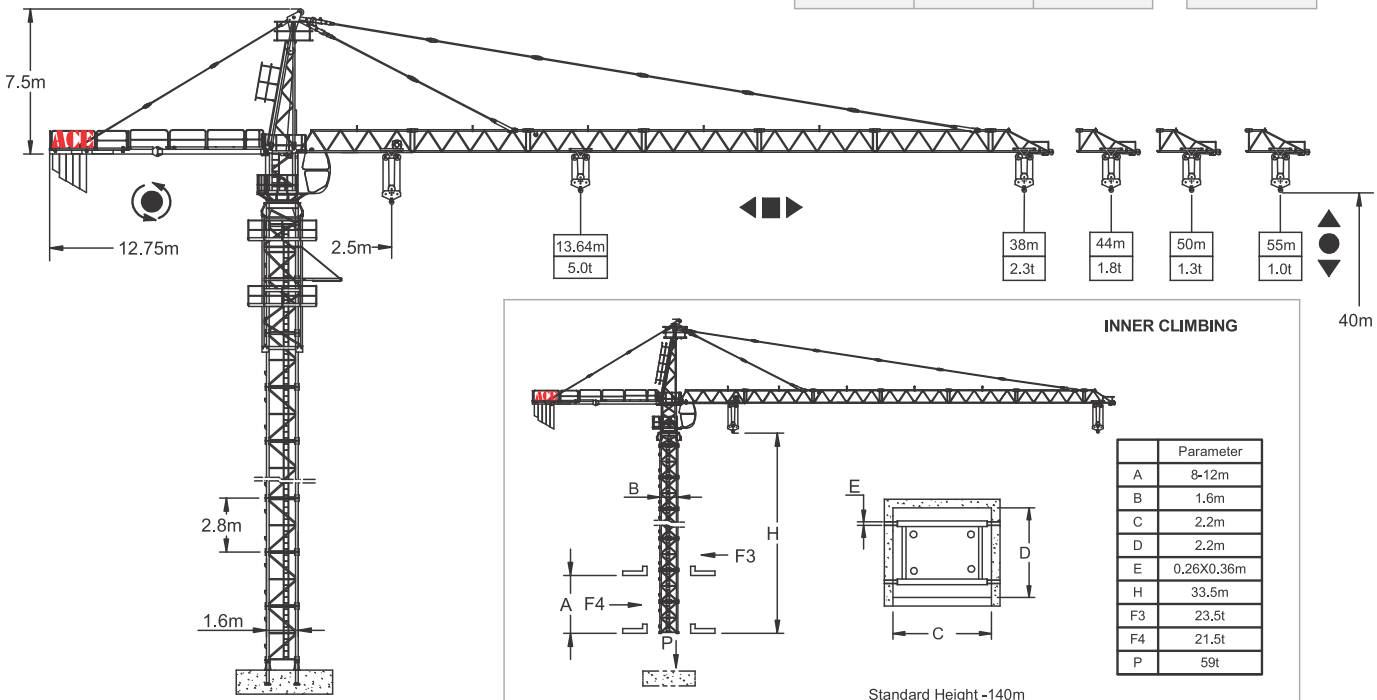
Hoisting	No of Falls	Icon						
	Speed (m/min)	Icon	11.75	40	80	5.87	20	40
	Hoisting Load (t)	Icon	2.5	2.5	1.28	5	5	2.56
	Power (kw)	Icon	5	18	18	5	18	18
Slewing	Speed (rpm)	Icon	0 ~ 0.6					
	Power (kw)	Icon	2 x 2.2					
Trolley	Speed (m/min)	Icon	40		20			
	Power (kw)	Icon	3.3		2.2			
Climbing	Speed (m/min)	Icon	0.55 - 0.7					
	Power (kw)	Icon	5.5					
Main Supply			415V / 50Hz					
Electric Power			25.7kw (32.1 kVA)					
Variant Model			6 Ton Max. Capacity Mechanism at 13.64m					

Outrigger Stationary

Chassis Stationary/Rail Mounted



F1	◇ 72t	△ 86t	Icon
F2	◇ 43t	△ 66t	32 t



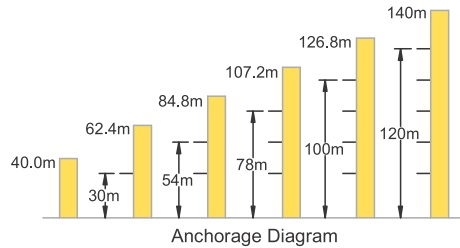
F Reaction ◇ In Service △ Out of Service Icon Dead weight without load and counter weights but with longest jib and free standing height.

P - Vertical Load

TC 5040-T Flat Top Tower Crane 5 t

Load Capacity

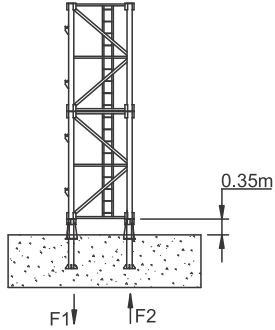
Jib Length 50m	Radius (m)	2.8~15	18	20	22	25	28	30	32	35	38	40	42	45	48	50
	Hoisting Load (t)	5.00	4.51	3.87	3.54	2.98	2.62	2.39	2.21	1.91	1.75	1.66	1.52	1.42	1.30	1.23
Jib Length 45m,40m	Radius (m)	2.8~15	18	20	22	25	28	30	32	35	38	40	42	45		
	Hoisting Load (t)	5.00	4.62	4.12	3.63	3.17	2.70	2.55	2.31	2.11	1.82	1.78	1.60	1.53		
Jib Length 35m	Radius (m)	2.8~18	20	22	25	28	30	32	35							
	Hoisting Load (t)	5.00	4.42	3.91	3.41	3.01	2.75	2.55	2.28							
Jib Length 30m,25m, 20m	Radius (m)	2.8~18	20	22	25	28	30									
	Hoisting Load (t)	5.00	4.70	4.26	3.63	3.21	2.93									



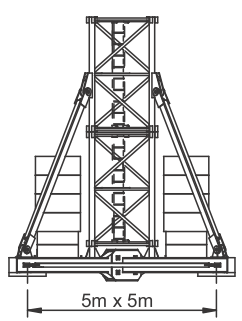
Specifications

Hoisting	No of Falls							
	Speed (m/min)		11.75	40	80	5.87	20	40
	Hoisting Load (t)		2.5	2.5	1.28	5	5	2.56
	Power (kw)		5	18	18	5	18	18
Stewing	Speed(rpm)		0 ~ 0.6					
	Power(kw)		5.5					
Trolley	Speed(m/min)		40		20			
	Power(kw)		3.3		2.2			
Climbing	Speed(m/min)		0.55 - 0.7					
	Power(kw)		5.5					
Main Supply		415V / 50Hz						
Electric Power		26.8kw (33.5 kVA)						
Variant Model		6 Ton Max. Capacity Mechanism at 14.16m						

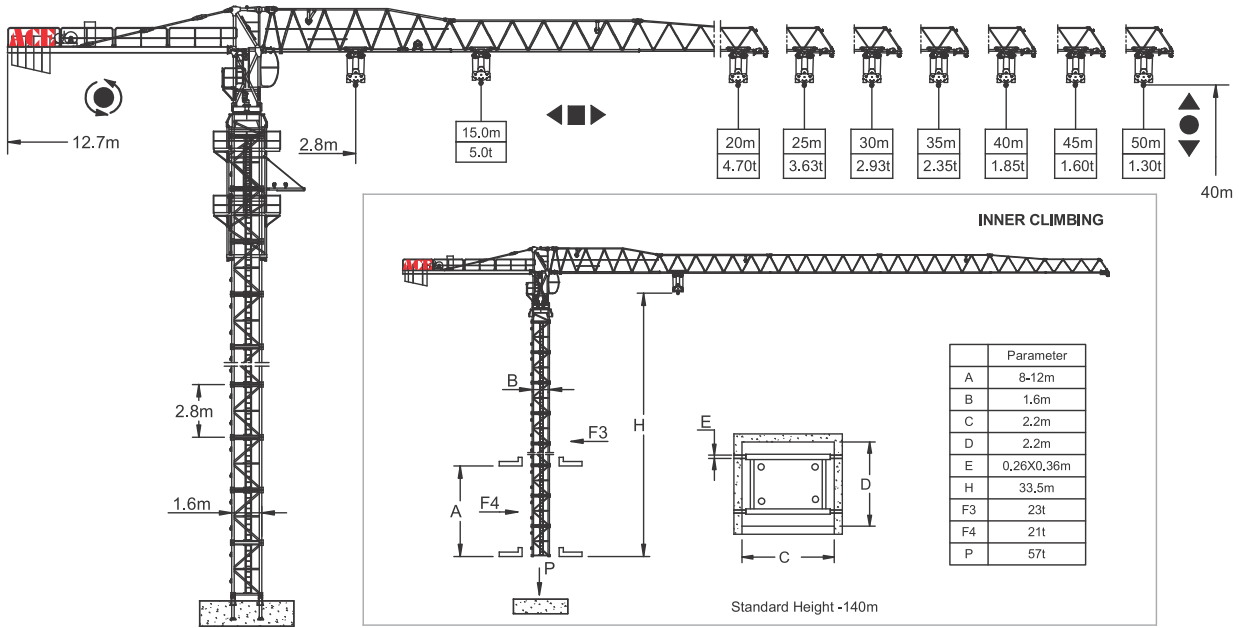
Outrigger Stationary



Chassis Stationary/Rail Mounted



F1		59t		75t		32.0t
F2		81t		97t		



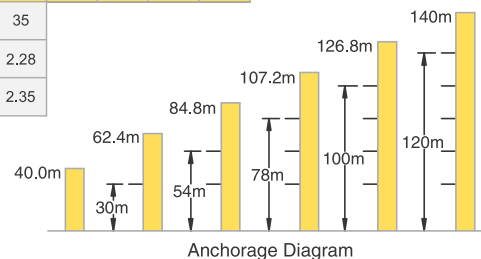
F Reaction In Service Out of Service Dead weight without load and counter weights but with longest jib and free standing height.
P - Vertical Load

TC 5540-T Flat Top Tower Crane

5 t

Load Capacity

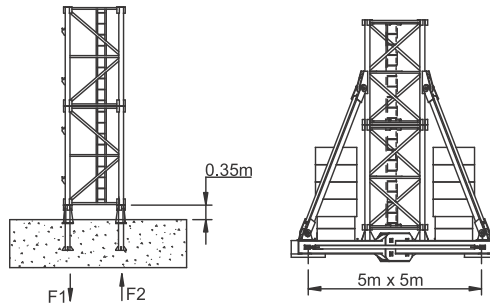
Jib Length	Radius (m)		2.8~15															
	Hoisting Load (t)		18	20	22	25	28	30	32	35	38	40	42	45	48	50	52	55
55m	5.00		4.26	3.67	3.34	2.87	2.46	2.27	2.07	1.85	1.63	1.53	1.41	1.29	1.16	1.09	1.02	0.93
	2.50							2.34	2.14	1.91	1.70	1.60	1.48	1.35	1.23	1.16	1.09	1.00
50m	5.00		4.51	3.87	3.54	2.98	2.62	2.39	2.21	1.91	1.75	1.66	1.52	1.42	1.30	1.23		
	2.50							2.28	1.98	1.82	1.73	1.59	1.49	1.37	1.30			
45m, 40m	5.00		4.62	4.12	3.63	3.17	2.70	2.55	2.31	2.11	1.82	1.78	1.60	1.53				
	2.50							2.38	2.18	1.89	1.85	1.67	1.60					
35m	5.00		4.42	3.91	3.41	3.01	2.75	2.55	2.28									
	2.50							2.35										
30m, 25m, 20m	5.00		4.70	4.26	3.63	3.21	2.93											
	2.50																	



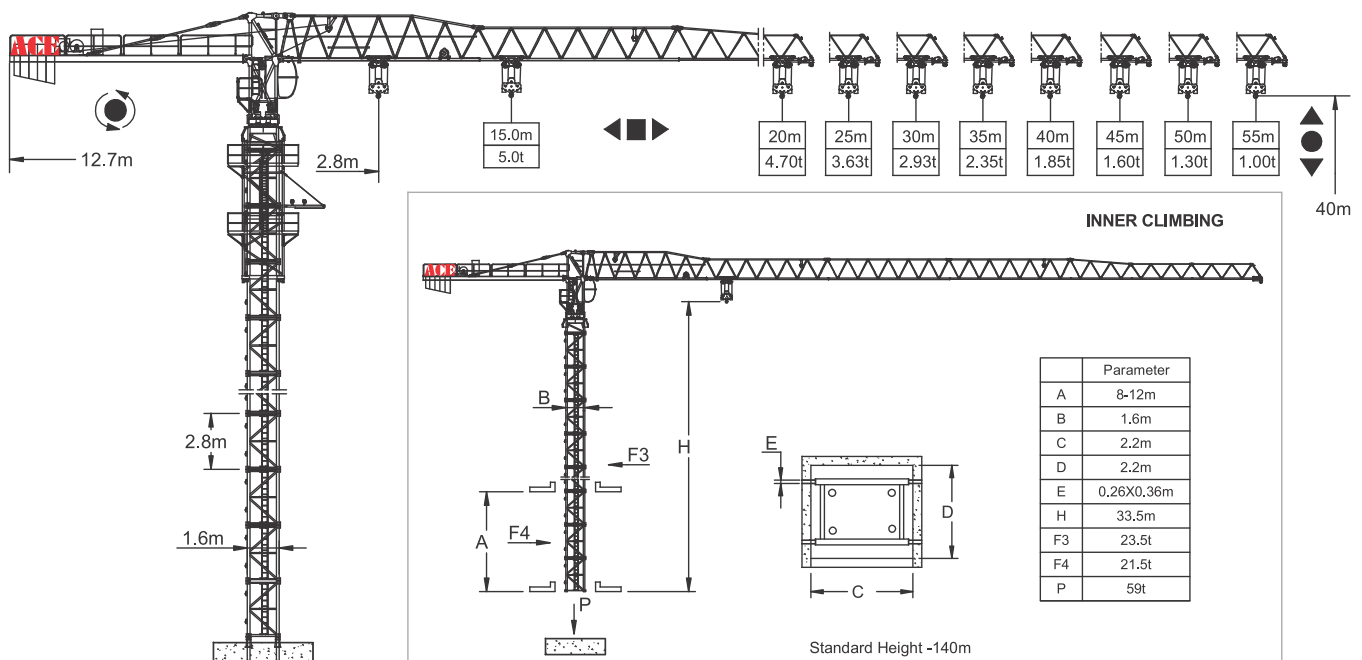
Specifications

Hoisting	No of Falls	4		5			
	Speed (m/min)	11.75	40	80	5.87	20	40
	Hoisting Load (t)	2.5	2.5	1.28	5	5	2.56
Power (kw)		5	18	18	5	18	18
		0 ~ 0.6					
Slewing	Speed(rpm)						
	Power(kw)			2 x 2.2			
Trolley	Speed(m/min)	40		20			
	Power(kw)	3.3		2.2			
Climbing	Speed(m/min)	0.55 - 0.7					
	Power(kw)	5.5					
Main Supply		415V / 50Hz					
Electric Power		25.7kw (32.1 kVA)					
Variant Model		6 Ton Max. Capacity Mechanism at 13.5m					

Outrigger Stationary Chassis Stationary/Rail Mounted



F1	◇ 59t	△ 75t	⊙ 32.9t
F2	◇ 81t	△ 97t	



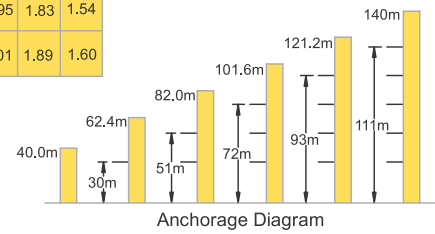
F Reaction ◇ In Service △ Out of Service ⊙ Dead weight without load and counter weights but with longest jib and free standing height.
P - Vertical Load

TC 6040 Tower Crane

5 t

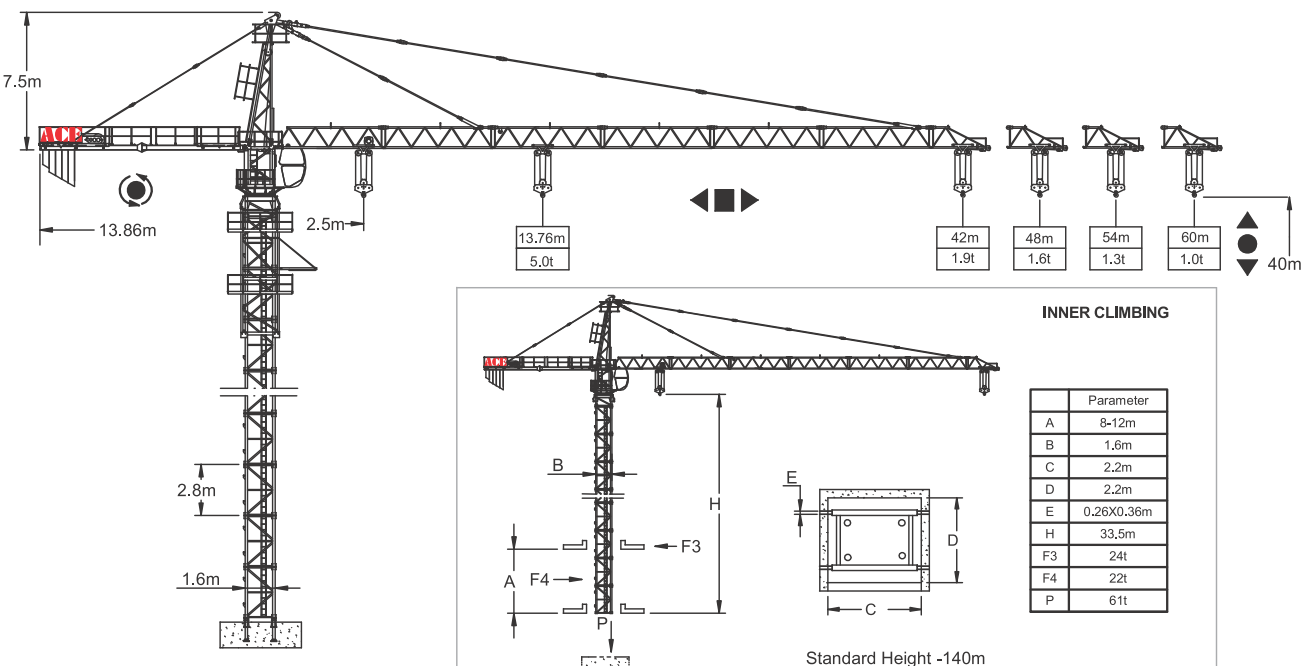
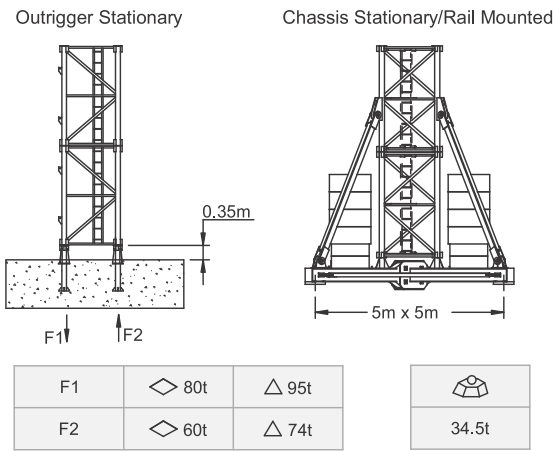
Load Capacity

Jib Length	Radius (m)		2.5~16	18	20	22	24	26	28	30	32	34	36	38	40	42	44	46	48	50	54	56	60	
	60m	Hoisting Load (t)	5.00	4.40	3.90	3.48	3.14	2.85	2.61	2.40	2.21	2.05	1.91	1.78	1.66	1.56	1.46	1.38	1.30	1.23	1.10	1.08	0.94	
		2.50										2.27	2.11	1.97	1.84	1.72	1.62	1.52	1.44	1.36	1.29	1.16	1.14	1.00
Jib Length 54m	Radius (m)		2.5~16	18	20	22	24	26	28	30	32	34	36	38	40	42	44	46	48	54				
	Hoisting Load (t)	5.00	4.83	4.28	3.83	3.46	3.15	2.88	2.65	2.45	2.27	2.12	1.98	1.85	1.74	1.64	1.54	1.46	1.24					
		2.50										2.33	2.18	2.04	1.91	1.80	1.70	1.60	1.52	1.30				
Jib Length 48m	Radius (m)		2.5~18	20	22	24	26	28	30	32	34	36	38	40	42	48								
	Hoisting Load (t)	5.00	4.48	4.01	3.63	3.30	3.02	2.78	2.57	2.39	2.23	2.08	1.95	1.83	1.54									
		2.50										2.29	2.14	2.01	1.89	1.60								
Jib Length 42m	Radius (m)		2.5~18	20	22	24	26	28	30	32	34	36	42											
	Hoisting Load (t)	5.00	4.48	4.01	3.63	3.30	3.02	2.78	2.57	2.39	2.23	1.83												
		2.50										2.29	1.90											



Specifications

Hoisting	No of Falls	5		6			
	Speed (m/min)	11.75	40	80	5.87	20	40
	Hoisting Load (t)	2.5	2.5	1.28	5	5	2.56
	Power (kw)	5	18	18	5	18	18
Slewing	Speed (rpm)	0 ~ 0.6					
	Power (kw)	2 x 2.2					
Trolley	Speed (m/min)	20		40			
	Power (kw)	2.2		3.3			
Climbing	Speed (m/min)	0.55 - 0.7					
	Power (kw)	7.5					
Main Supply	415V / 50Hz						
Electric Power	25.7 kw (32.1kVA)						
Variant Model	6 Ton Max. Capacity Mechanism at 13.76m						



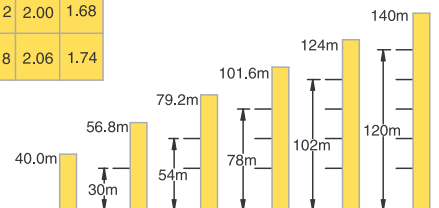
F Reaction ◇ In Service △ Out of Service ⊕ Dead weight without load and counter weights but with longest jib and free standing height.
P - Vertical Load

TC 6040B Tower Crane

5 t

Load Capacity

Jib Length	Radius (m)		Radius (m)																		
	Hoisting Load (t)	Icon	2.5-18	20	22	24	26	28	30	32	34	36	38	40	42	44	46	48	50	54	60
60m	5.00	🏗️	4.51	4.04	3.65	3.32	3.04	2.80	2.59	2.41	2.24	2.10	1.97	1.85	1.74	1.64	1.55	1.47	1.32	1.14	
		🏗️	2.50										2.30	2.16	2.03	1.91	1.80	1.70	1.61	1.53	1.38
54m	5.00	🏗️	4.83	4.33	3.92	3.57	3.27	3.02	2.79	2.60	2.42	2.26	2.12	2.00	1.88	1.78	1.68	1.44			
		🏗️	2.50										2.32	2.18	2.06	1.94	1.84	1.74	1.50		
48m	5.00	🏗️	4.83	4.33	3.92	3.57	3.27	3.02	2.79	2.60	2.42	2.26	2.12	2.00	1.68						
		🏗️	2.50										2.32	2.18	2.06	1.74					
42m, 36m	5.00	🏗️	4.83	4.33	3.92	3.57	3.27	3.02	2.79	2.60	2.42	2.00									
		🏗️	2.50										2.06								

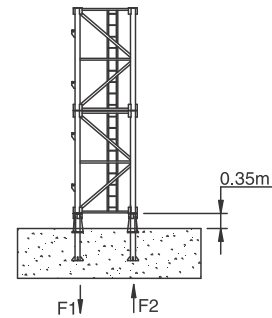


Anchorage Diagram

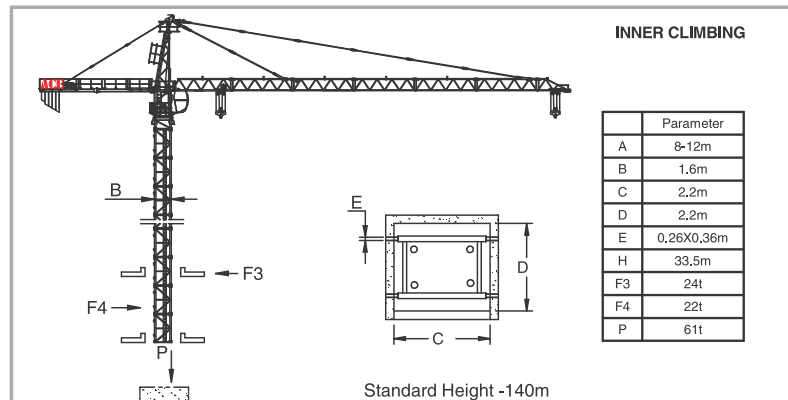
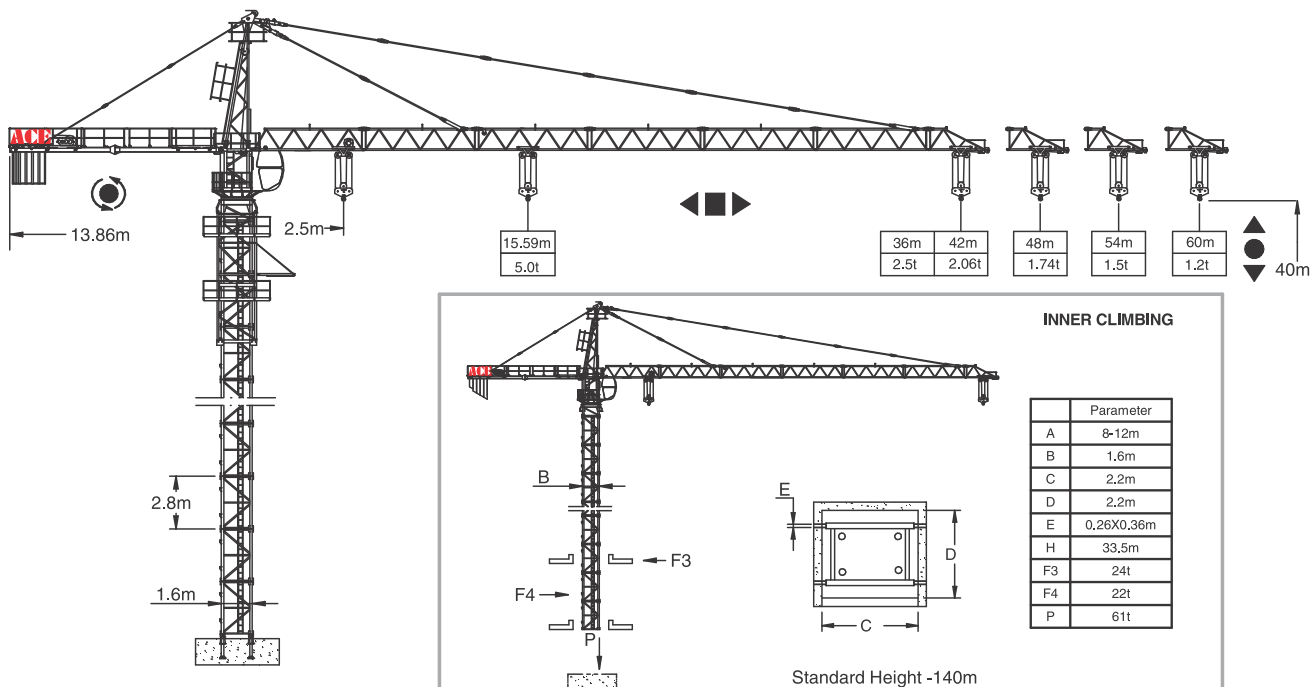
Specifications

Hoisting	No of Falls	🏗️	🏗️				
	Speed (m/min)	11.75	40	80	5.87	20	40
	Hoisting Load (t)	2.5	2.5	1.28	5	5	2.56
	Power (kw)	5	18	18	5	18	18
Slewing	Speed (rpm)	0 ~ 0.6					
	Power (kw)	2 x 2.2					
Trolley	Speed (m/min)	20		40			
	Power (kw)	2.2		3.3			
Climbing	Speed (m/min)	0.55 - 0.7					
	Power (kw)	7.5					
Main Supply	415V / 50Hz						
Electric Power	25.7 kw (32.1kVA)						
Variant Model	6 Ton. Max Capacity Mechanism at 15.53 M						

Outrigger Stationary



F1	◇ 81t	△ 96t	🏗️
F2	◇ 61t	△ 75t	34.8t



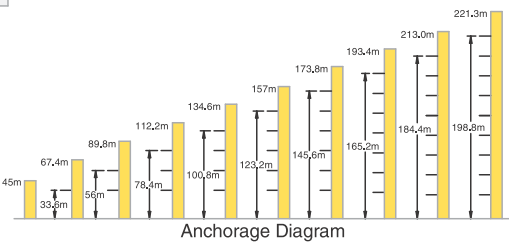
F Reaction ◇ In Service △ Out of Service 🏗️ Dead weight without load and counter weights but with longest jib and free standing height.
P - Vertical Load

TC 6544 Tower Crane

8 t

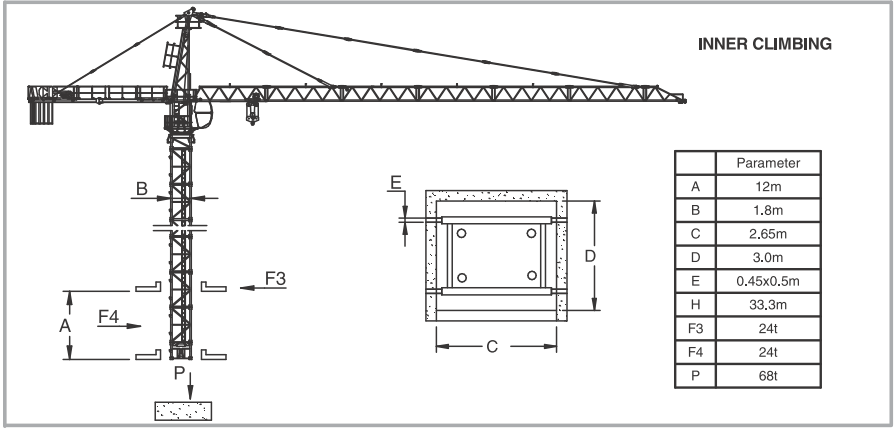
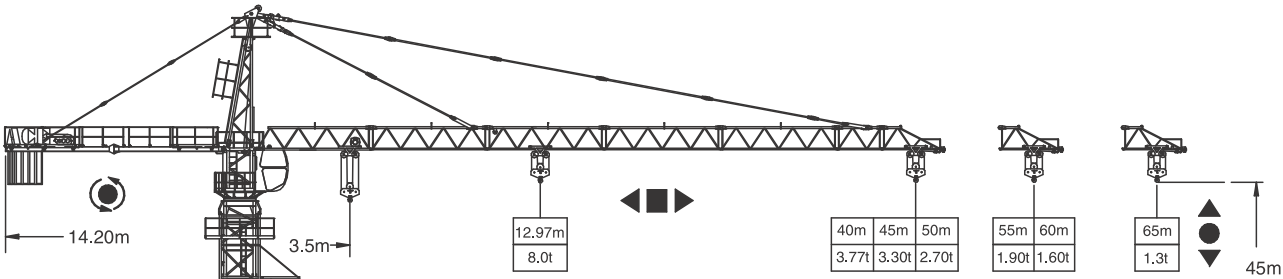
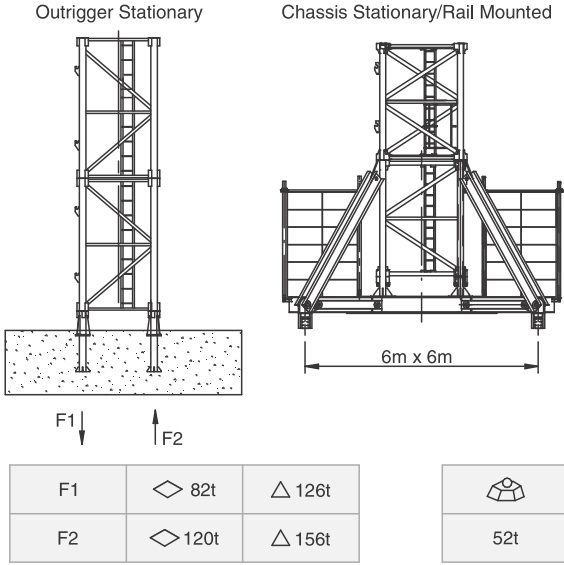
Load Capacity

Jib Length 65m	Radius (m)	3,5 - 12,97	16,44	18	20	24	25	28	30	32	35	38	40	42	45	48	50	52	55	58	60	62	65	
	Hoisting Load (t)	8.00	6.00	5.36	4.71	3.74	3.54	3.05	2.78	2.55	2.25	2.00	1.85	1.71	1.54	1.38	1.29	1.21	1.09	0.99	0.93	0.87	0.79	
		4.00																						
Jib Length 60m	Radius (m)	3,5 - 14,03	17,75	18	20	24	25	28	30	32	35	38	40	42	45	48	50	52	55	58	60			
	Hoisting Load (t)	8.00	6.00	5.92	5.21	4.15	3.94	3.40	3.11	2.85	2.52	2.25	2.09	1.94	1.75	1.59	1.49	1.39	1.27	1.16	1.09			
		4.00																						
Jib Length 55m	Radius (m)	3,5 - 14,75	18,75	20	24	25	28	30	32	35	38	40	42	45	48	50	52	55						
	Hoisting Load (t)	8.00	6.00	5.55	4.43	4.21	3.64	3.33	3.06	2.71	2.42	2.25	2.10	1.90	1.72	1.62	1.52	1.39						
		4.00																						
Jib Length 50m	Radius (m)	3,5 - 17,90	22,81	24	25	28	30	32	35	38	40	42	45	48	50									
	Hoisting Load (t)	8.00	6.00	5.64	5.37	4.68	4.30	3.96	3.53	3.18	2.97	2.78	2.53	2.32	2.19									
		4.00																						
Jib Length 45m	Radius (m)	3,5 - 19,1	24,43	28	30	32	35	38	40	42	45													
	Hoisting Load (t)	8.00	6.00	5.09	4.68	4.32	3.87	3.48	3.26	3.06	2.79													
		4.00																						
Jib Length 40m	Radius (m)	3,5 - 19,1	24,43	28	30	32	35	38	40															
	Hoisting Load (t)	8.00	6.00	5.09	4.68	4.32	3.87	3.48	3.26															
		4.00																						



Specifications

Hoisting	No of Falls	4		4	
	Speed (m/min)	0 - 40	0 - 80	0 - 20	0 - 40
	Hoisting Load (t)	4.0	2.0	8.0	4.0
	Power (kw)	30	30	30	30
Stewing	Speed (rpm)	0 - 0.6			
	Power (kw)	2 x 5.5			
Trolley	Speed (m/min)	56	28	6	
	Power (kw)	5.5			
Climbing	Speed (m/min)	0.56			
	Power (kw)	7.5			
Main Supply	415V / 50Hz				
Electric Power	46.5kW (58.1kVA)				
Variant Model	6 Ton Max. Capacity Mechanism at 16.44 M				



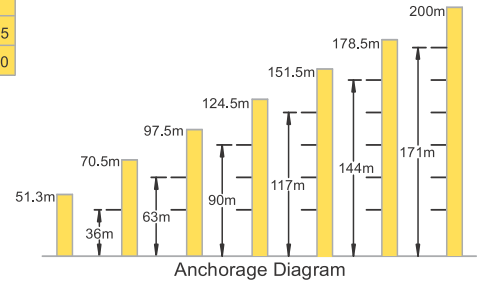
F Reaction ◇ In Service △ Out of Service ⊕ Dead weight without load and counter weights but with longest jib and free standing height.

TC 652 Tower Crane

10 t

Load Capacity

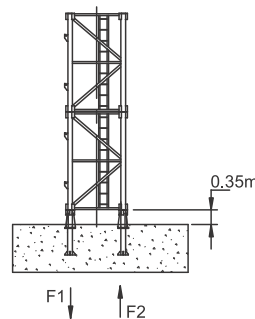
Jib Length	Radius (m)		Hoisting Load (t)																			
	3.2~15.68	18	20	22	25	28	30	32	35	38	40	42	45	48	50	52	55	58	60	63	65	
65m	10.00		8.48	7.47	6.65	5.68	4.92	4.51	4.15	3.68	3.30	3.07	2.87	2.60	2.36	2.22	2.09	1.92	1.76	1.66	1.53	1.45
	5.00								4.70	4.23	3.85	3.62	3.42	3.15	2.91	2.77	2.64	2.47	2.31	2.21	2.08	2.00
60m	10.00		9.48	8.36	7.45	6.38	5.55	5.09	4.69	4.18	3.75	3.50	3.28	2.98	2.72	2.57	2.42	2.23	2.05	1.95		
	5.00								4.73	4.30	4.05	3.83	3.53	3.27	3.12	2.97	2.78	2.60	2.50			
55m	10.00		9.04	8.02	6.70	5.99	5.50	5.07	4.53	4.07	3.81	3.57	3.25	2.97	2.81	2.58	2.45					
	5.00								4.62	4.36	4.12	3.80	3.52	3.36	3.13	3.00						
50m	10.00		9.34	8.35	7.16	6.24	5.74	5.30	4.73	4.26	3.98	3.74	3.41	3.12	2.95							
	5.00								4.81	4.53	4.29	3.96	3.67	3.50								
45m, 40m	10.00		9.55	8.22	7.19	6.61	6.11	5.48	4.95	4.64	4.36	3.95										
	5.00								4.65	4.50												



Specifications

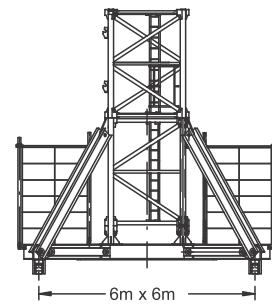
Hoisting	No of Falls	4	4
	Speed (m/min)	0 ~ 45	0 ~ 22.5
	Hoisting Load (t)	5.0	10.0
	Power (kw)	45	45
Slewing	Speed (rpm)	0 ~ 0.6	
	Power (kw)	2 x 5.5	
Trolley	Speed (m/min)	0 ~ 60	
	Power (kw)	5.5	
Climbing	Speed (m/min)	0.6	
	Power (kw)	11	
Main Supply	415V / 50Hz		
Electric Power	61.5kw (76.9kVA)		

Outrigger Stationary

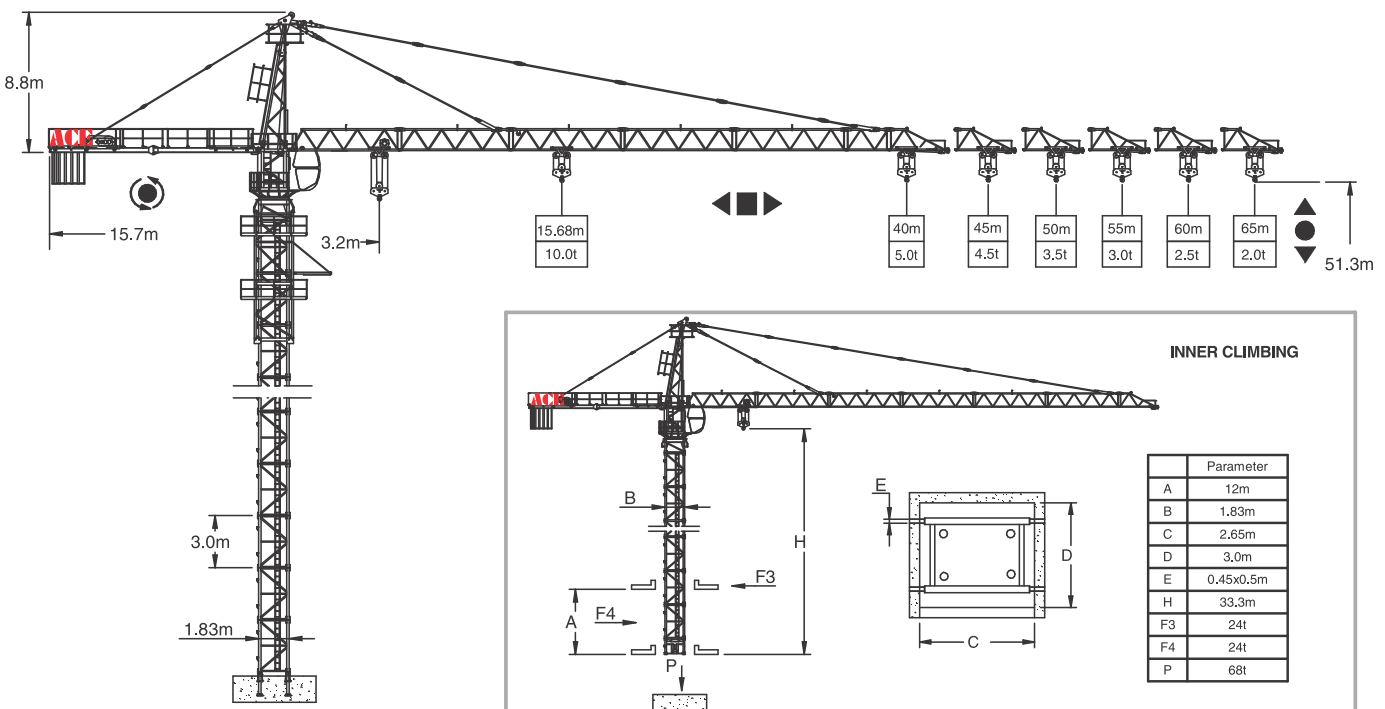


F1	◇ 112t	△ 166t
F2	◇ 66t	△ 86t

Chassis Stationary/Rail Mounted



◇	58t
---	-----



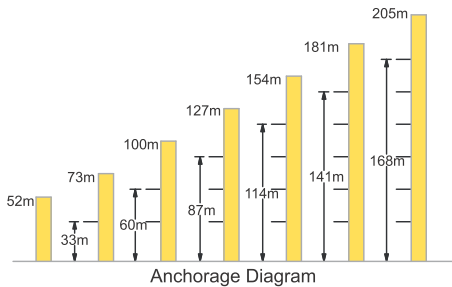
F Reaction ◇ In Service △ Out of Service ⊕ Dead weight without load and counter weights but with longest jib and free standing height.
P Vertical Load

TC 7052 Tower Crane

12 t

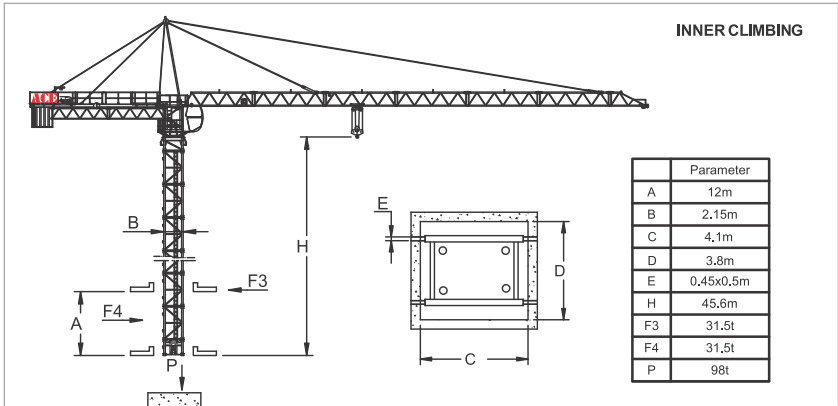
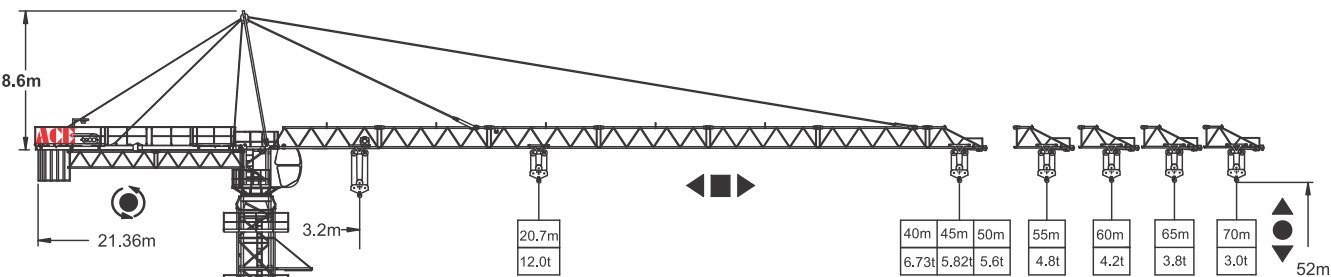
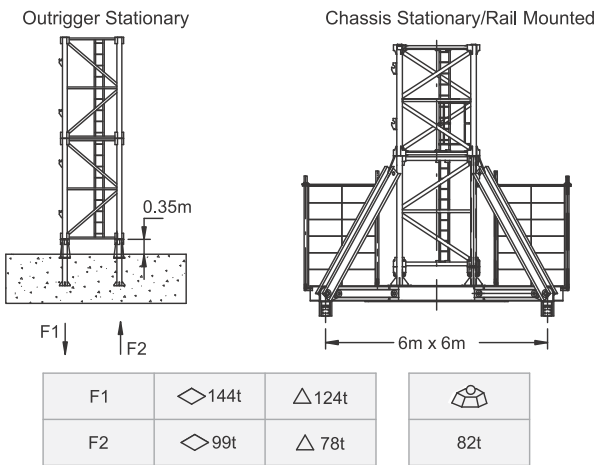
Load Capacity

Jib Length	Radius (m)	3.2~20.70	22	25	28	30	35	38	40	42	45	48	50	52	55	58	60	62	65	68	70
70m	Hoisting Load (t)	12.00	11.20	9.61	8.39	7.72	6.39	5.77	5.40	5.07	4.64	4.26	4.03	3.82	3.54	3.28	3.13	2.98	2.78	2.59	2.49
	Hoisting Load (t)	6.00								5.91	5.58	5.15	4.77	4.54	4.33	4.05	3.79	3.64	3.49	3.29	3.10
65m	Radius (m)	3.2~23.0		25	28	30	35	38	40	42	45	48	50	52	55	58	60	62	65		
	Hoisting Load (t)	12.00	10.96	9.59	8.84	7.34	6.66	6.23	5.58	5.37	4.96	4.69	4.46	4.14	3.86	3.68	3.52	3.29			
60m	Radius (m)	3.2~23.0		25	28	30	35	38	40	42	45	48	50	52	55	58	60				
	Hoisting Load (t)	12.00	10.96	9.59	8.84	7.34	6.67	6.23	5.89	5.38	4.97	4.70	4.48	4.15	3.87	3.69					
55m	Radius (m)	3.2~23.7		25	28	30	35	38	40	42	45	48	50	52	55						
	Hoisting Load (t)	12.00	11.30	9.90	9.12	7.58	6.87	6.44	6.07	5.56	5.12	4.86	4.62	4.29							
50, 45, 40m	Radius (m)	3.2~24.6		25	28	30	35	38	40	42	45	48	50								
	Hoisting Load (t)	12.00	11.80	10.30	9.51	7.91	7.17	6.73	6.34	5.82	5.36	5.09									
	Hoisting Load (t)	6.00								5.87	5.60										



Specifications

Hoisting	No of Falls		
	Speed (m/min)	0 ~ 40	0 ~ 75
	Hoisting Load (t)	6.0	3.0
	Power (kw)	55	55
Slewing	Speed (rpm)	0 ~ 0.8	
	Power (kw)	2 x 9	
Trolley	Speed (m/min)	0 ~ 45	
	Power (kw)	7.5	
Climbing	Speed (m/min)	0.5	
	Power (kw)	11	
Main Supply		415V / 50Hz	
Electric Power		80.5 kw (100.6kVA)	



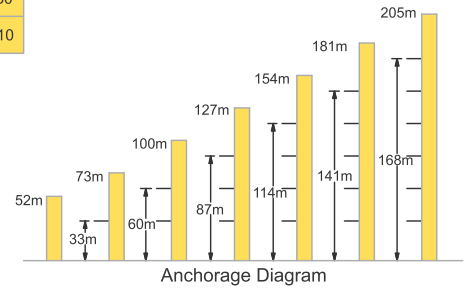
F Reaction In Service Out of Service Dead weight without load and counter weights but with longest jib and free standing height.
P Vertical Load

TC 7053 Tower Crane

16 t

Load Capacity

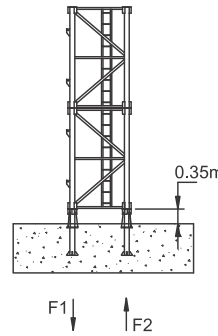
Jib Length 70m	Radius (m)	3.2~14.0	22	25	30	35	40	45	50	55	60	65	70
	Hoisting Load (t)	16.00	11.20	8.00	6.36	5.20	4.34	3.67	3.15	2.72	2.36	2.06	1.80
Jib Length 65m	Radius (m)	3.2~16.4	25	30	35	40	45	50	55	60	65		
	Hoisting Load (t)	16.00	10.30	7.60	6.70	5.20	4.50	3.80	3.40	3.00	2.60		
Jib Length 60m	Radius (m)	3.2~16.4	25	30	35	40	45	50	55	60			
	Hoisting Load (t)	16.00	10.40	8.00	6.80	5.60	4.90	4.25	3.80	3.30			
Jib Length 55m	Radius (m)	3.2~17.7	25	30	35	40	45	50	55				
	Hoisting Load (t)	16.00	10.90	8.90	7.42	6.49	5.64	4.78	4.40				
Jib Length 50m, 45m, 40m	Radius (m)	3.2~17.8	25	30	35	40	45	50					
	Hoisting Load (t)	16.00	11.40	8.95	7.69	6.54	5.90	5.00					



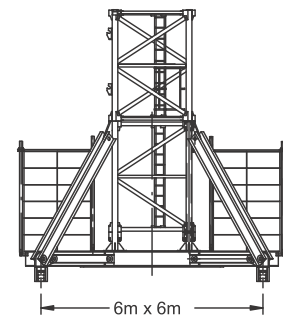
Specifications

Hoisting	No of Falls	3	4
	Speed (m/min)	0 ~ 35	0 ~ 30
	Hoisting Load (t)	8.0	8.0
	Power (kw)	55	55
Slewing	Speed (rpm)	0 ~ 0.8	
	Power (kw)	2 x 9	
Trolley	Speed (m/min)	0 ~ 45	
	Power (kw)	7.5	
Climbing	Speed (m/min)	0.5	
	Power (kw)	11	
Main Supply		415V / 50Hz	
Electric Power		80.5 kw (100.6kVA)	

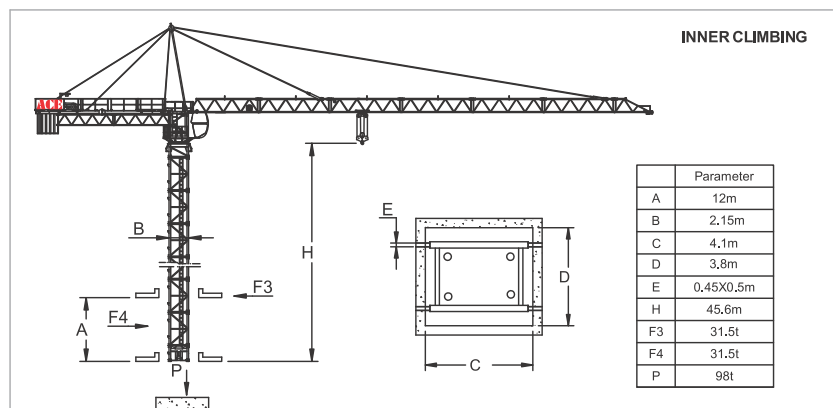
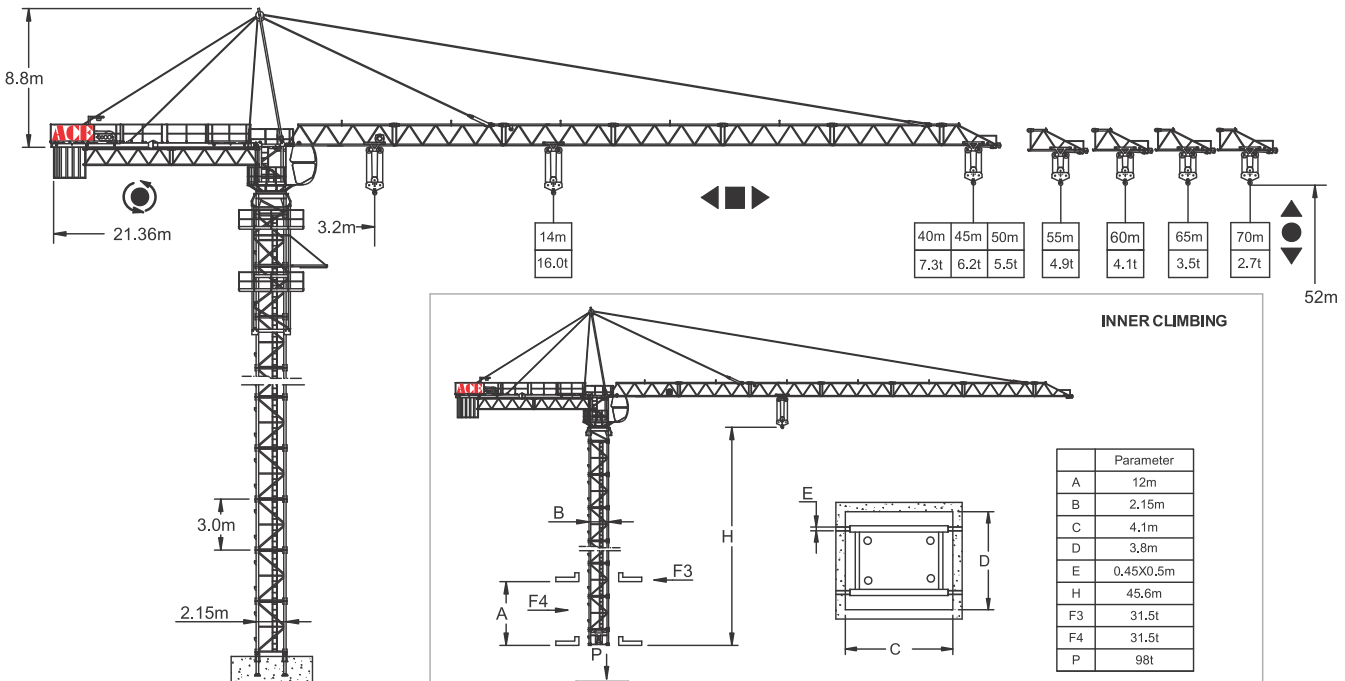
Outrigger Stationary



Chassis Stationary/Rail Mounted



F1	◇ 144t	△ 124t	⊕ 83t
F2	◇ 99t	△ 78t	



Parameter	Value
A	12m
B	2.15m
C	4.1m
D	3.8m
E	0.45X0.5m
H	45.6m
F3	31.5t
F4	31.5t
P	98t

F Reaction ◇ In Service △ Out of Service ⊕ Dead weight without load and counter weights but with longest jib and free standing height.
P Vertical Load

TC 7054 Tower Crane **16 t**

Load Capacity

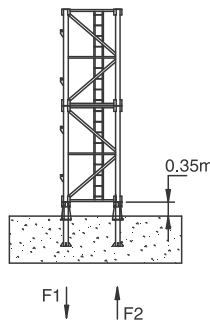
Jib Length 70m	Radius (m)	3.75-18.0	23	25	30	35	40	45	50	55	60	65	70
	Hoisting Load (t)	16.00	12.30	11.20	8.90	7.34	6.16	5.26	4.55	3.95	3.48	3.07	2.72
		8.00						7.60	6.04	5.32	4.74	4.26	3.85
Jib Length 65m	Radius (m)	3.75-19.7	23	25	30	35	40	45	50	55	60	65	
	Hoisting Load (t)	16.00	13.30	12.0	9.67	7.99	6.74	5.77	5.01	4.38	3.86	3.42	
		8.00						7.52	6.55	5.78	5.16	4.64	4.20
Jib Length 60m	Radius (m)	3.75-20.5	23	25	30	35	40	45	50	55	60		
	Hoisting Load (t)	16.00	14.0	12.7	10.2	8.44	7.14	6.13	5.32	4.67	4.12		
		8.00						7.91	6.90	6.10	5.44	4.90	
Jib Length 55m	Radius (m)	3.75-21.3	23	25	30	35	40	45	50	55			
	Hoisting Load (t)	16.00	14.6	13.3	10.7	8.85	7.49	6.44	5.60	4.92			
		8.00						7.22	6.38	5.70			
Jib Length 50m	Radius (m)	3.75-22.2	25	30	35	40	45	50					
	Hoisting Load (t)	16.00	13.9	12.0	9.41	7.89	6.80	5.92					
		8.00						7.57	6.70				
Jib Length 45m	Radius (m)	3.75-23.7	25	30	35	40	45						
	Hoisting Load (t)	16.00	15.10	12.2	10.10	8.60	7.42						
		8.00											
Jib Length 40m	Radius (m)	3.75-24	25	30	35	40							
	Hoisting Load (t)	16.00	15.3	12.3	10.3	8.72							
		8.00											

Note : TC 7054 is also available with 60 FSH with 2.1T x 2.17 x 3 mtr MAST

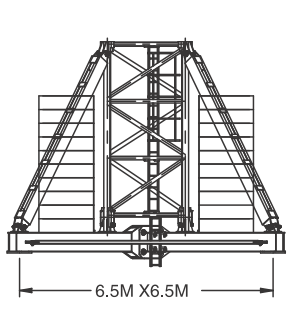
Specifications

Hoisting	No of Falls	2	2	2	2
	Speed (m/min)	0 ~ 37.5	0 ~ 75	0 ~ 18.75	0 ~ 37.5
	Hoisting Load (t)	8.0	3.0	16.0	6.0
	Power (kw)	55	55	55	55
Slewing	Speed (rpm)	0 ~ 0.8			
	Power (kw)	2 x 9			
Trolley	Speed (m/min)	0 ~ 58			
	Power (kw)	7.5			
Climbing	Speed (m/min)	0.5			
	Power (kw)	15			
Main Supply	415V / 50Hz				
Electric Power	80.5 kw (100.6kVA)				

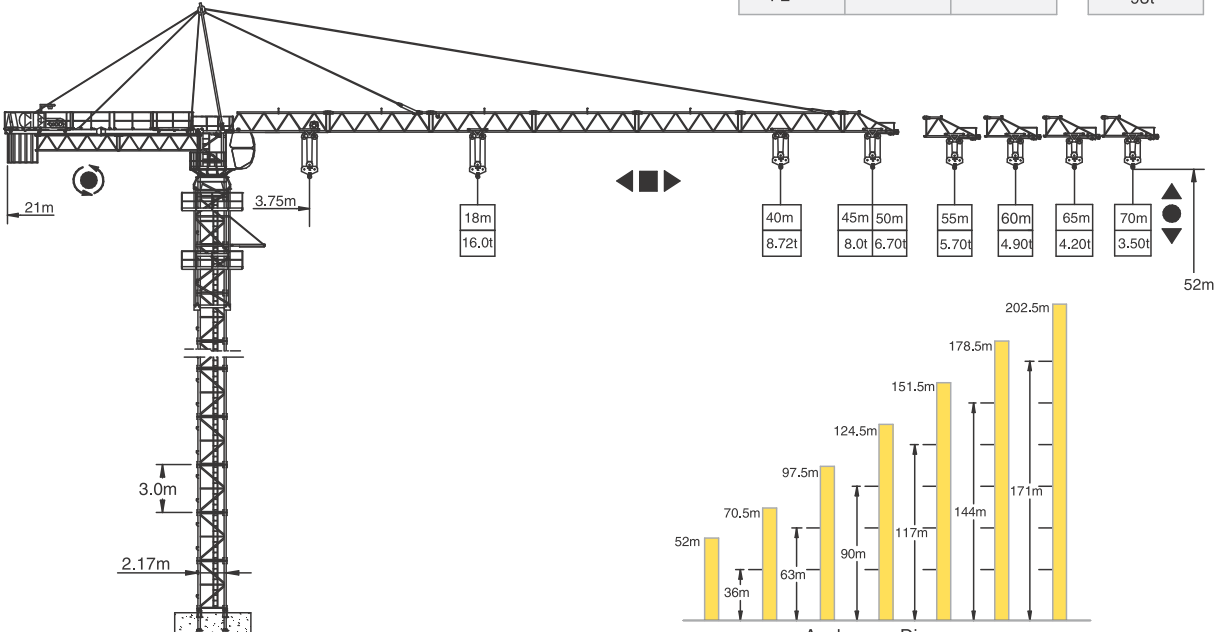
Outrigger Stationary



Chassis Stationary/Rail Mounted



F1	◇ 180t	△ 181t	⊕ 93t
F2	◇ 233t	△ 237t	



F Reaction ◇ In Service △ Out of Service ⊕ Dead weight without load and counter weights but with longest jib and free standing height.
P Vertical Load

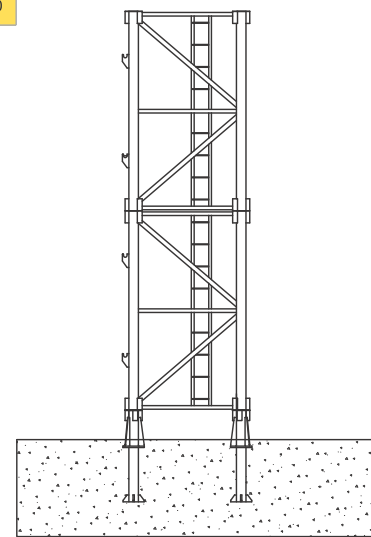
TC 7059 Tower Crane

20 t

Load Capacity

Jib Length	Radius (m)		3.5~21.19	25	30	35	38	40	43	45	48	50	53	55	58	60	63	65	68	70
	70m	Hoisting Load (t)		20.00	16.42	13.16	10.86	9.78	9.15	8.32	7.83	7.17	6.77	6.24	5.92	5.47	5.20	4.83	4.60	4.29
			10.00							9.43	8.94	8.28	7.88	7.35	7.03	6.58	6.31	5.94	5.71	5.40
65m	Radius (m)		3.5~21.72	25	30	35	38	40	43	45	48	50	53	55	58	60	63	65		
	Hoisting Load (t)		20.00	16.92	13.57	11.21	10.10	9.45	8.60	8.10	7.42	7.02	6.47	6.14	5.68	5.41	5.02	4.79		
60m		Radius (m)		3.5~22.46	25	30	35	38	40	43	45	48	50	53	55	58	60			
	Hoisting Load (t)		20.00	17.62	14.15	11.70	10.55	9.88	9.00	8.48	7.78	7.36	6.79	6.45	5.98	5.69				
55m		Radius (m)		3.5~22.80	25	30	35	38	40	43	45	48	50	53	55					
	Hoisting Load (t)		20.00	17.94	14.42	11.93	10.76	10.08	9.18	8.65	7.94	7.52	6.94	6.59						
50,45,40m		Radius (m)		3.5~22.96	25	30	35	38	40	43	45	48	50							
	Hoisting Load (t)		20.00	18.09	14.54	12.04	10.86	10.17	9.27	8.74	8.02	7.59								
40m		Radius (m)		3.5~22.96	25	30	35	38	40	43	45	48	50							
	Hoisting Load (t)		20.00	18.09	14.54	12.04	10.86	10.17	9.27	8.74	8.02	7.59								
40m		Radius (m)		3.5~22.96	25	30	35	38	40	43	45	48	50							
	Hoisting Load (t)		20.00	18.09	14.54	12.04	10.86	10.17	9.27	8.74	8.02	7.59								
40m		Radius (m)		3.5~22.96	25	30	35	38	40	43	45	48	50							
	Hoisting Load (t)		20.00	18.09	14.54	12.04	10.86	10.17	9.27	8.74	8.02	7.59								

Outrigger Stationary

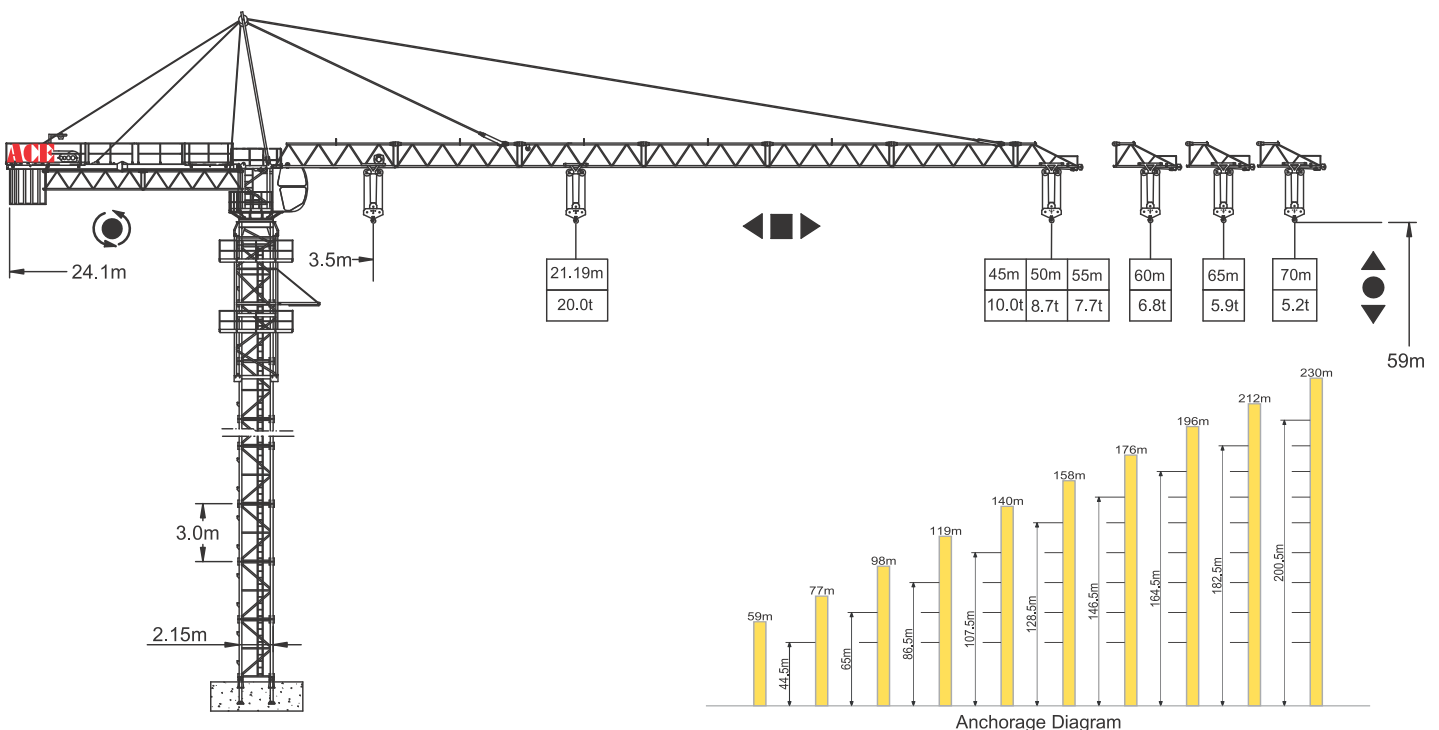


F1 ↓ ↑ F2

F1	◇ 143t	△ 171t	
F2	◇ 240t	△ 256t	141t

Specifications

Hoisting	No of Falls		
	Speed (m/min)	0 ~ 45	0 ~ 96
	Hoisting Load (t)	10.0	5.0
	Power (kw)	90	90
Stewing	Speed(rpm)	0 ~ 0.72	
	Power(kw)	3 x 5.5	
Trolley	Speed(m/min)	0 ~ 100	
	Power(kw)	11	
Climbing	Speed(m/min)	0.46	
	Power(kw)	11	
Main Supply	415V / 50Hz		
Electric Power	117.5 kw (146.9 kVA)		



Anchorage Diagram

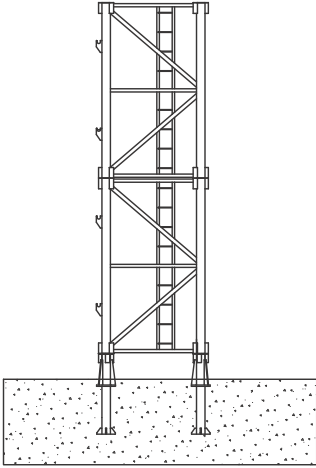
F Reaction ◇ In Service △ Out of Service Dead weight without load and counter weight but with longest jib and free standing height.

TC 7074 Tower Crane **25 t**

Load Capacity

Jib Length 70m	Radius (m)	3.5~17.52	20	25	30	35	38	40	43	45	48	50	53	55	58	60	63	65	68	70
	Hoisting Load (t)	25.00	21.41	16.42	13.16	10.86	9.78	9.15	8.32	7.83	7.17	6.77	6.24	5.92	5.47	5.20	4.83	4.60	4.29	4.09
Jib Length 65m	Radius (m)	3.5~17.95	25	30	35	38	40	43	45	48	50	53	55	58	60	63	65			
	Hoisting Load (t)	25.00	16.92	13.57	11.21	10.10	9.45	8.60	8.10	7.42	7.02	6.47	6.14	5.68	5.41	5.02	4.79			
Jib Length 60m	Radius (m)	3.5~18.56	25	30	35	38	40	43	45	48	50	53	55	58	60					
	Hoisting Load (t)	25.00	17.62	14.15	11.70	10.55	9.88	9.00	8.48	7.78	7.36	6.79	6.45	5.98	5.69					
Jib Length 55m	Radius (m)	3.5~18.85	25	30	35	38	40	43	45	48	50	53	55							
	Hoisting Load (t)	25.00	17.94	14.42	11.93	10.76	10.08	9.18	8.65	7.94	7.52	6.94	6.59							
Jib Length 50,45,40m	Radius (m)	3.5~18.97	25	30	35	38	40	43	45	48	50									
	Hoisting Load (t)	25.00	18.09	14.54	12.04	10.86	10.17	9.27	8.74	8.02	7.59									

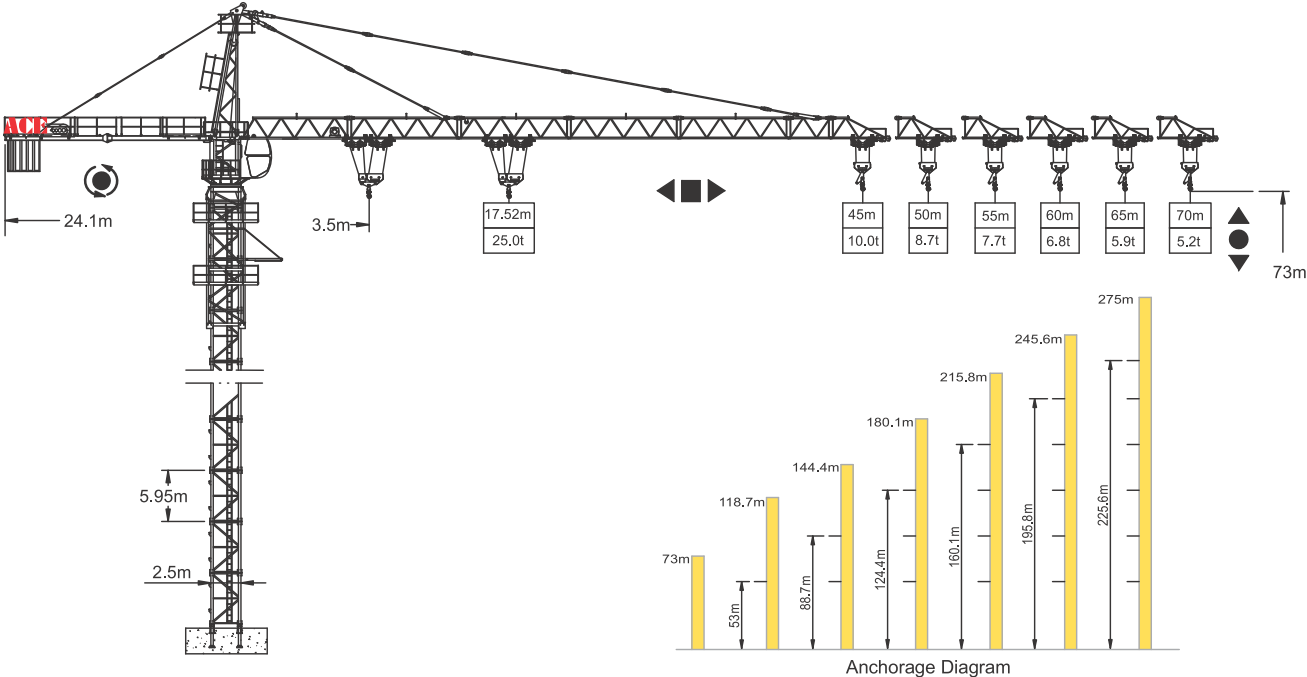
Outrigger Stationary



F1	◇ 143t	△ 171t	⊕ 141t
F2	◇ 240t	△ 256t	141t

Specifications

Hoisting	No of Falls	⊕	⊕		
	Speed (m/min)	0 ~ 45	45 ~ 90	0 ~ 22	22 ~ 45
	Hoisting Load (t)	12.5	6.3	25.0	12.5
	Power (kw)	110	110	110	110
Slewing	Speed(rpm)	0 ~ 0.72			
	Power(kw)	3 x 5.5			
Trolley	Speed(m/min)	0 ~ 100			
	Power(kw)	11			
Climbing	Speed(m/min)	0.46			
	Power(kw)	11			
Main Supply	415V / 50Hz				
Electric Power	110 kw (137.5kVA)				



F Reaction ◇ In Service △ Out of Service ⊕ Dead weight without load and counter weights but with longest jib and free standing height.

LC 85 Luffing Crane

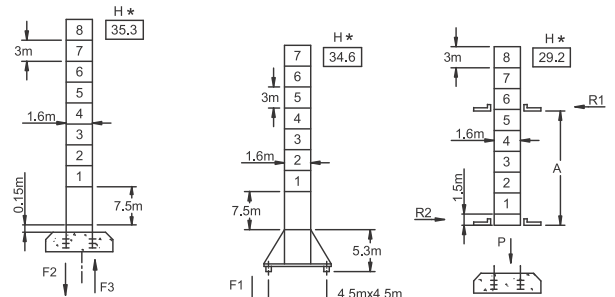
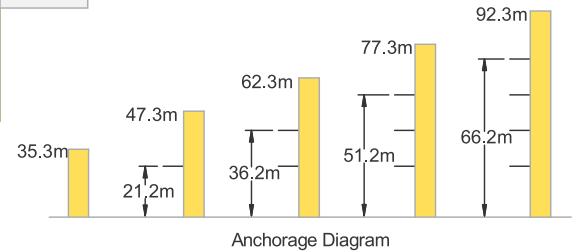
6 t

Load Capacity

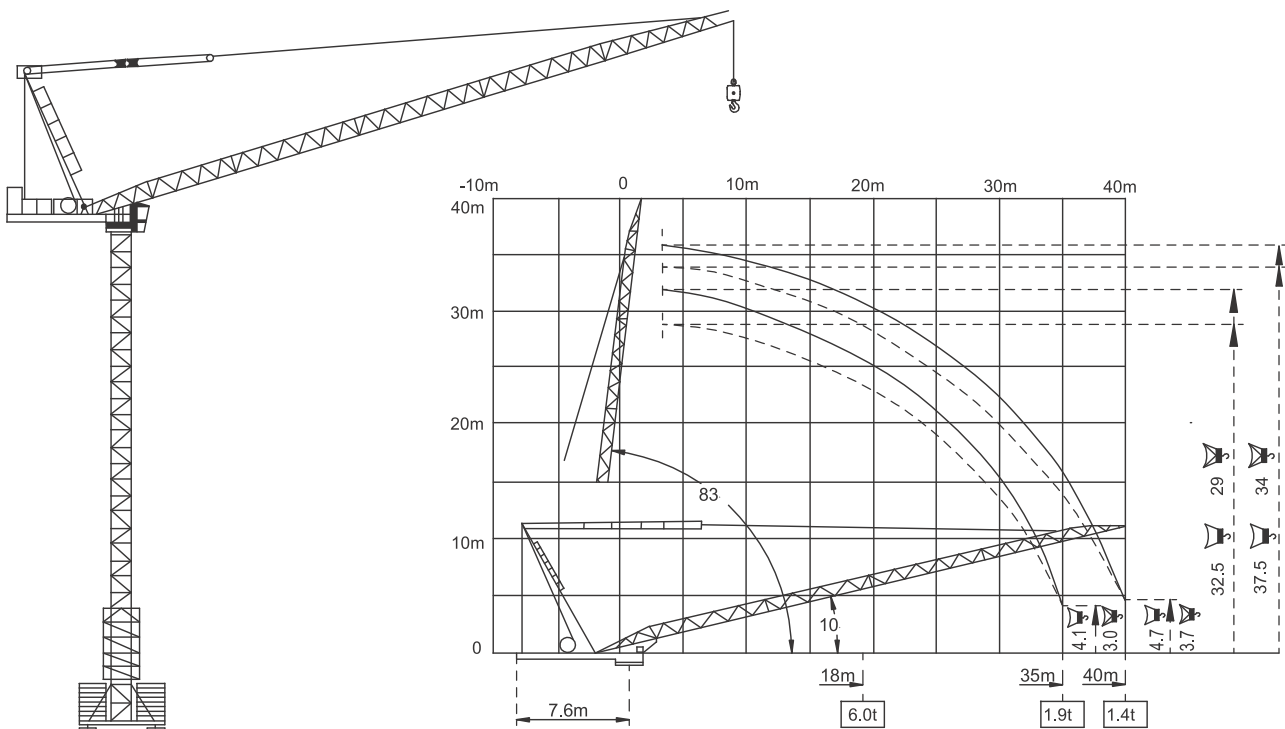
Jib Length	Radius (m)		4~18	20	25	28.5	30	32	35	40
	40m	Hoisting Load (t)		6.0	5.2	3.7	2.9	2.6	2.3	1.9
			3.0					2.7	2.4	2.0
35m	Radius (m)		4~18	20	25	28.5	30	32	35	
	Hoisting Load (t)		6.0	5.2	3.7	2.9	2.6	2.3	1.9	
			3.0					2.7	2.4	2.0

Specifications

Hoisting	No of Falls						
	Speed (m/min)	0 ~ 40	0 ~ 66	0 ~ 80	0 ~ 20	0 ~ 33	0 ~ 40
	Hoisting Load (t)	3.0	1.8	1.5	6.0	3.6	3.0
Power (kw)		24	24	24	24	24	24
Slewing		Speed(rpm)	0 ~ 0.7				
		Power(kw)	6				
Travelling		Speed(rpm)	0 ~ 25				
		Power(kw)	2 x 5.2				
Luffing		Speed(m/min)	≤ 3.0				
		Power(kw)	24				
Main Supply		415V / 50Hz					
Electric Power		54 kw (67.5 kVA)					



F2		90t		142t		38.5t
F3		62t		117t		38.5t
F1		60t		81t		38.5t
A		7m		11m		
R1		23t		15t		
R2		20t		13t		
P		48t		48t		
						37t



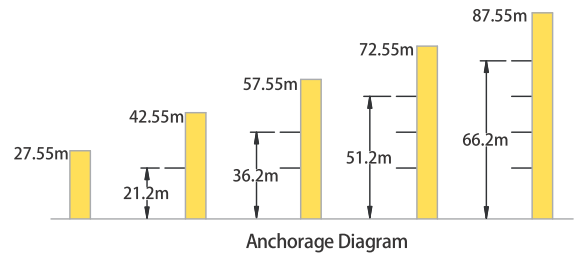
F Reaction In Service Out of Service Dead weight without load and counter weights but with longest jib and free standing height.
 P Vertical Load H Free Standing Height Jib * 40m

LC 120 Luffing Crane

8 t

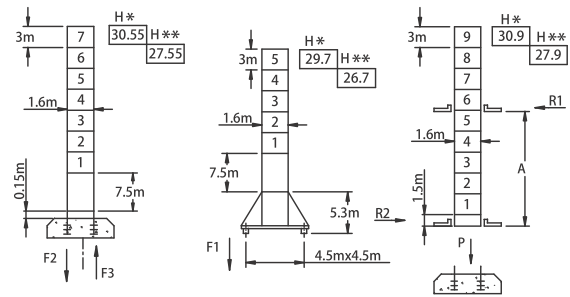
Load Capacity

Jib Length	Radius (m)	Radius (m)							
		3.5~18.6	20	25	30	32	35	40	45
45m	Hoisting Load (t)	8.0	7.3	5.5	4.2	4.0	3.3	2.6	2.2
	Free Standing Height (m)	4.0				3.3			
40m	Radius (m)	3.5~18.6	20	25	30	32	35	40	
	Hoisting Load (t)	8.0	7.3	5.5	4.3	4.0	3.4	2.6	
35m	Radius (m)	3.5~18.6	20	25	30	32	35		
	Hoisting Load (t)	8.0	7.4	5.6	4.4	4.0	3.4		
30m	Radius (m)	3.5~18.6	20	25	30				
	Hoisting Load (t)	8.0	7.4	5.6	4.4	4.0			



Specifications

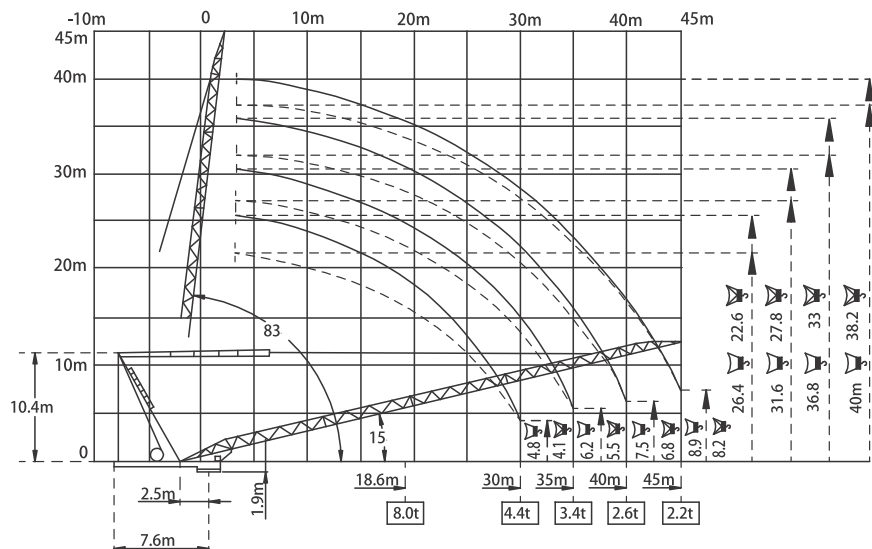
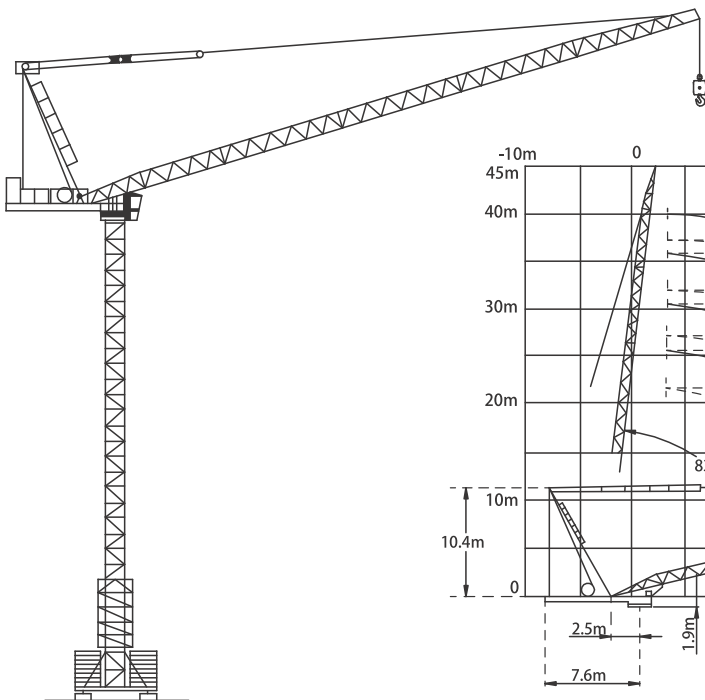
Hoisting	No of Falls	In Service			Out of Service		
	Speed (m/min)	0 ~ 40	0 ~ 66	0 ~ 80	0 ~ 20	0 ~ 33	0 ~ 40
Hoisting Load (t)	4.0	2.4	2.0	8.0	4.8	4.0	
Power (kw)	30	30	30	30	30	30	
Slewing	Speed (rpm)	0 ~ 0.7					
	Power (kw)	2 x 4.5					
Travelling	Speed (rpm)	0 ~ 25					
	Power (kw)	2 x 5.2					
Luffing	Speed (m/min)	≤ 3.5					
	Power (kw)	30					
Main Supply	415V / 50Hz						
Electric Power	69kw (86.3 kVA)						



F2	◇ 100t	△ 119t	⊕ 38.5t
F3	◇ 78t	△ 97t	⊕ 38.5t

F1	◇ 60t	△ 68t
	⊕ 40.5t	

A	7m	11m
R1	24t	16t
R2	20.5t	13.5t
P	50t	50t
	⊕ 42t	



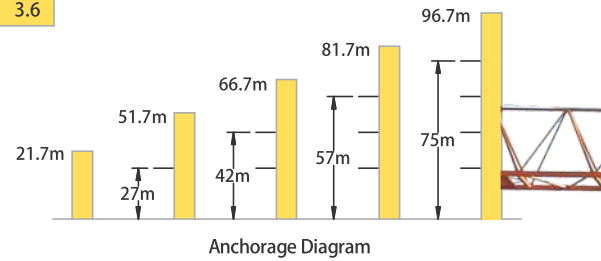
F Reaction ◇ In Service △ Out of Service ⊕ Dead weight without load and counter weights but with longest jib and free standing height.
 P Vertical Load H Free Standing Height Jib *30 - 35m **40 - 45m

LC 160B Luffing Crane

10 t

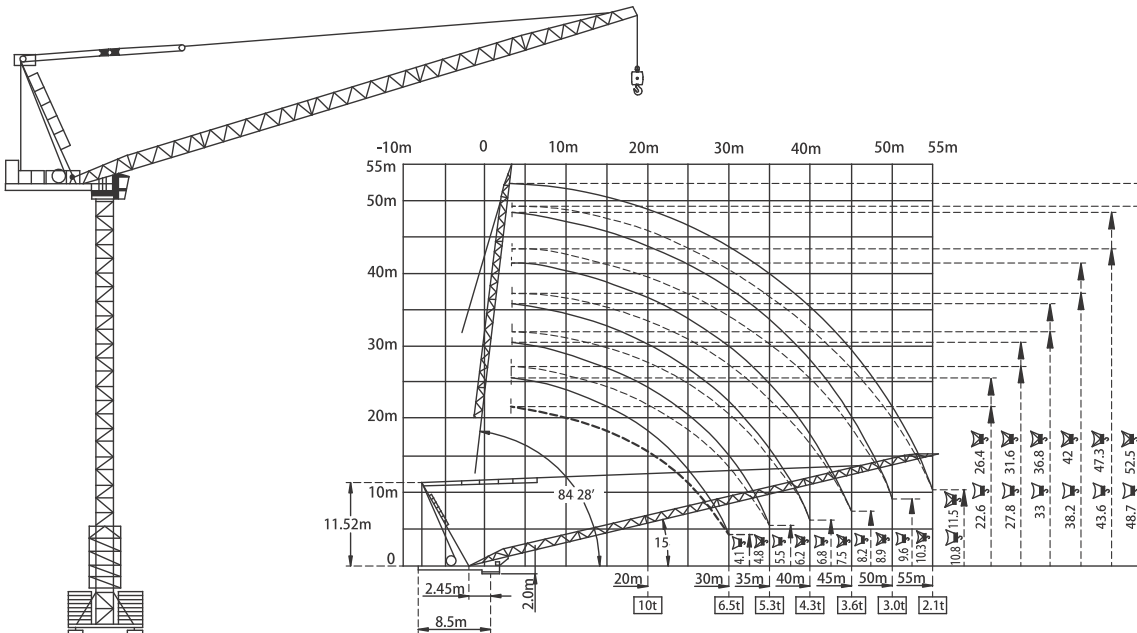
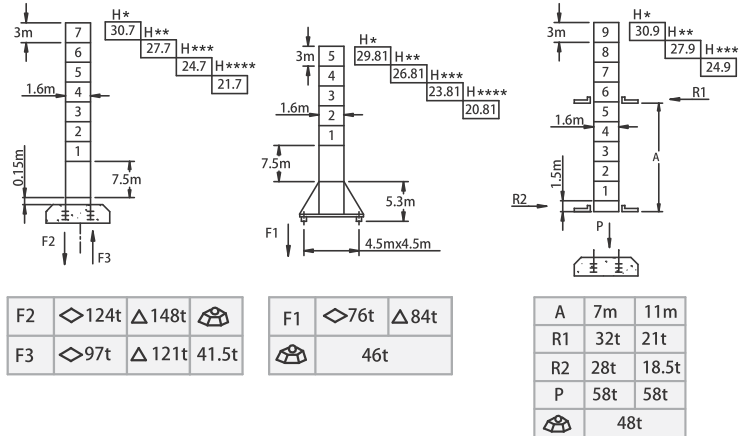
Load Capacity

Jib Length 55m	Radius (m)	3.3~18.0	20	22	25	27	30	32	35	37	40	42	45	47	50	52	55
	Hoisting Load (t)	10.0	8.6	7.6	6.5	5.8	5.0	4.6	4.1	3.8	3.5	3.2	2.9	2.7	2.5	2.3	2.1
		5.0						4.6	4.1	3.8	3.5	3.2	2.9	2.7	2.5	2.3	2.1
Jib Length 50m	Radius (m)	3.3~20.0	22	25	27	30	32	35	37	40	42	45	47	50			
	Hoisting Load (t)	10.0	8.7	7.5	6.8	6.0	5.5	5.0	4.7	4.2	3.8	3.5	3.2	3.0			
		5.0						4.7	4.2	3.8	3.5	3.2	3.0				
Jib Length 45m	Radius (m)	3.3~20.0	22	25	27	30	32	35	37	40	42	45					
	Hoisting Load (t)	10.0	9.0	7.7	7.0	6.2	5.7	5.1	4.7	4.2	4.0	3.6					
		5.0						4.7	4.2	4.0	3.6						
Jib Length 40m	Radius (m)	3.3~20.0	22	25	27	30	32	35	37	40							
	Hoisting Load (t)	10.0	9.1	7.8	7.1	6.2	5.7	5.1	4.8	4.3							
		5.0						4.8	4.3								
Jib Length 35m	Radius (m)	3.3~20.0	22	25	27	30	32	35									
	Hoisting Load (t)	10.0	9.2	8.0	7.2	6.4	5.9	5.3									
		5.0															



Specifications

Hoisting	No of Falls	☞		☞			
	Speed (m/min)	0 ~ 50	0 ~ 75	0 ~ 100	0 ~ 25	0 ~ 37.5	0 ~ 50
	Hoisting Load (t)	5.0	3.0	2.0	10.0	6.0	4.0
	Power (kw)	55	55	55	55	55	55
Slewing	Speed (rpm)	0 ~ 0.7					
	Power (kw)	2 x 9					
Travelling	Speed (m/min)	0 ~ 25					
	Power (kw)	4 x 3.4					
Luffing	Speed (m/min)	≤ 3.0					
	Power (kw)	37					
Main Supply	415V / 50Hz						
Electric Power	110kw (137.5 kVA)						



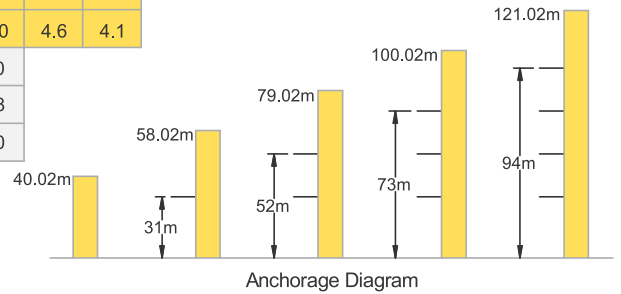
F Reaction ◇ In Service △ Out of Service ☼ Dead weight without load and counter weights but with longest jib and free standing height.
 P Vertical Load H Free Standing Height Jib *30-35m *40-45m *50m ****55m

LC 228B Luffing Crane

12 t

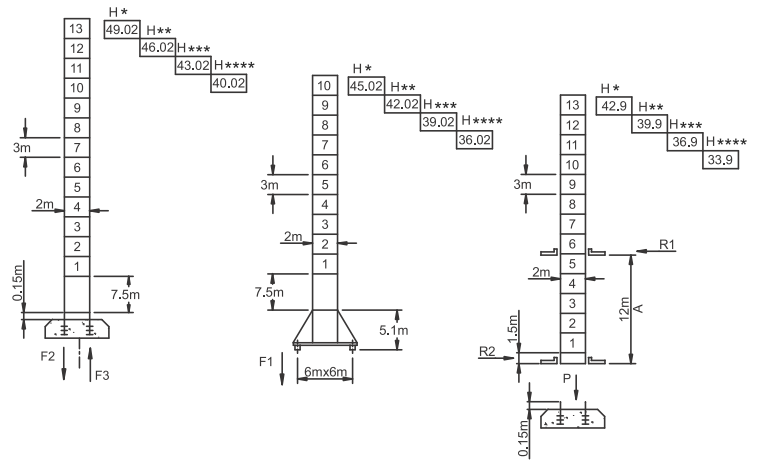
Load Capacity

Jib Length 55m	Radius (m)	3.8~17.6	20	22	25	30	31.8	35	37	40	42	45	47	50	52	55
	Hoisting Load (t)	12.0	10.4	9.4	8.0	6.3	5.8	4.9	4.4	3.9	3.5	3.1	2.9	2.6	2.4	2.3
Jib Length 50m	Radius (m)	3.5~19.6	22	25	27	30	32	34.2	34.8	37	40	42	45	47	50	
	Hoisting Load (t)	12.0	10.0	8.8	8.0	6.8	6.3	6.0	5.8	5.2	4.6	4.2	3.7	3.4	3.05	
Jib Length 45m	Radius (m)	3.5~20.0	22	25	27	30	32	34.4	35	37	40	42	45			
	Hoisting Load (t)	12.0	10.4	9.0	8.1	7.0	6.4	6.0	5.8	5.3	4.8	4.4	3.9			
Jib Length 40m	Radius (m)	3.5~20.2	22	25	27	30	32	34.8	35.4	37	40					
	Hoisting Load (t)	12.0	10.5	9.2	8.2	7.1	6.5	6.0	5.8	5.3	4.8					
Jib Length 35m	Radius (m)	3.5~20.4	22	25	27	30	32	35								
	Hoisting Load (t)	12.0	10.8	9.3	8.3	7.3	6.6	6.1								



Specifications

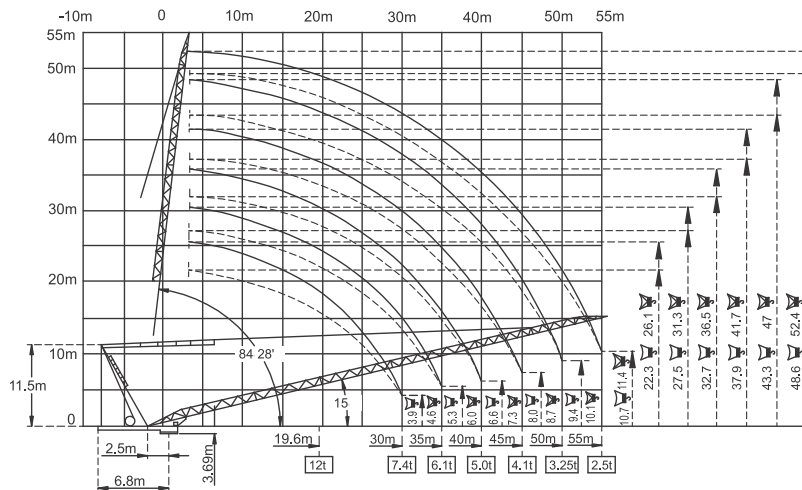
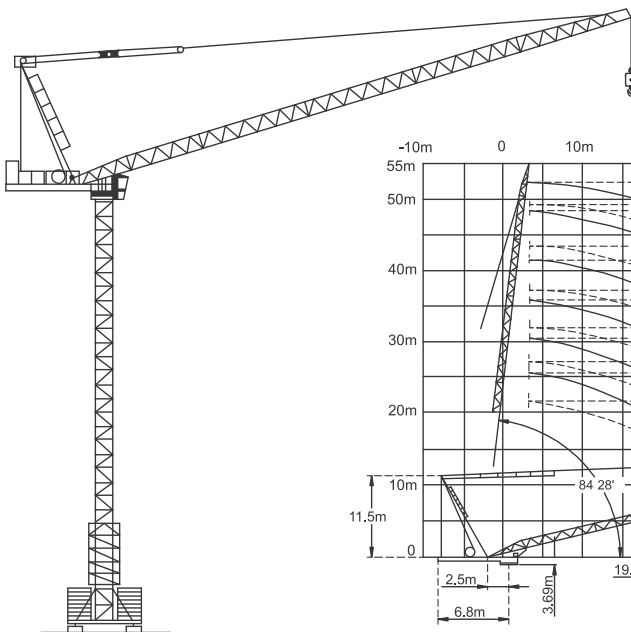
Hoisting	No of Falls	☐		☐			
	Speed (m/min)	0 ~ 40	0 ~ 65	0 ~ 80	0 ~ 20	0 ~ 30	0 ~ 40
	Hoisting Load (t)	6.0	4.0	3.0	12.0	8.0	6.0
	Power (kw)	55	55	55	55	55	55
Slewing	Speed (rpm)	0 ~ 0.7					
	Power (kw)	2 x 9					
Travelling	Speed (m/min)	0 ~ 25					
	Power (kw)	4x3.4					
Luffing	Speed (m/min)	≤ 3.0					
	Power (kw)	45					
Main Supply		415V / 50Hz					
Electric Power		118kw (147.5 kVA)					



F2	◊ 174t	△ 294t	⊕
F3	◊ 111t	△ 237t	87.5t

F1	◊ 118t	△ 134t
	⊕	97t

A	12m	16m
R1	34t	25.5t
R2	29.6t	22.2t
P	101t	101t
	⊕	81.5t

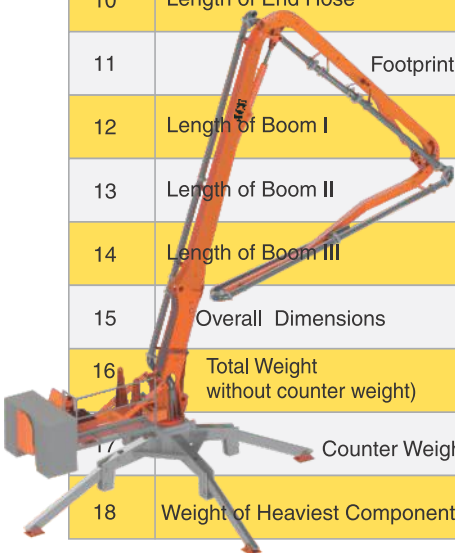


F Reaction ◊ In Service △ Out of Service ⊕ Dead weight without load and counter weights but with longest jib and free standing height.
 P Vertical Load H Free Standing Height Jib * 30 - 35m ** 40 - 45m *** 50m **** 55m

Technical Specifications

ACS Series

S.No.	Description	Units	BHDM 12	BHD 13	BHD 18
1	Max Radius of Placing Boom	m	12	13	18
2	Max. Height Working Reach	m	14.3	15.3	20.5
3	Max. Depth Working Reach	m	5.5	8	10.7
4	Elevation Angle	deg.	90	90	90
5	Slewing Range	deg.	360	360	360
6	Motor Power	kW	4	4	7.5
7	Hydraulic Pressure	MPa	20	26	28
8	Slewing	r/min	0.70	0.70	0.60
9	Delivery Pipeline Diameter	mm	125	125	125
10	Length of End Hose	m	2.5	2.5	3.0
11	Footprint of machine	mxm	3.7 x 3.7	3.7 x 3.7	4.7 x 4.7
12	Length of Boom I	m	6.5	5	7.3
13	Length of Boom II	m	5.5	4	5.4
14	Length of Boom III	m	—	4	5.3
15	Overall Dimensions	m	8.20 x 2.40 x 2.00	8.00 x 2.40 x 2.35	10.80 x 2.45 x 2.35
16	Total Weight (without counter weight)	kg	2200	2960	4450
17	Counter Weight	kg	1240	1215	2500
18	Weight of Heaviest Component	kg	2200	2160	1750



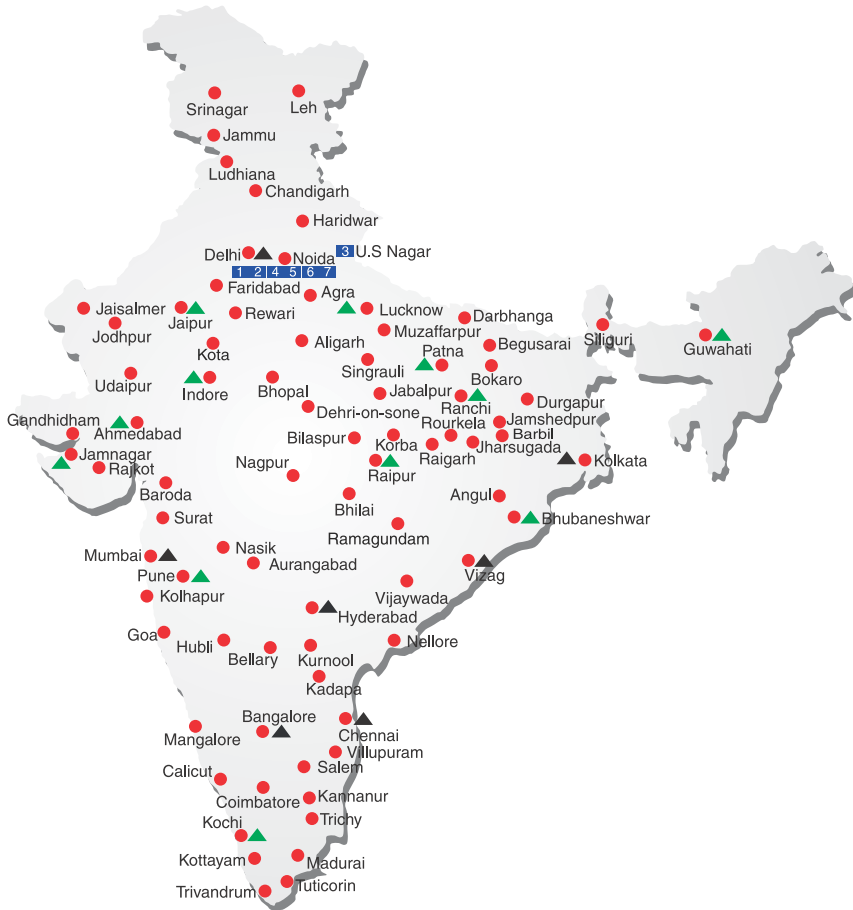
Technical Specifications

ACP Series

	Description	Units	BHD 24	BHD 28	BHD 32 Z	BHD 36	
Performance	Max Radius of Placing Boom	m	24	28	32	36	
	Free Standing Height	m	20.6	20.7	20.7	20.7	
	Slewing Range	deg.	360	360	360	360	
	Total Weight	kgs.	13500	15550	16500	18150	
	Counter Weight	kgs.	no need	no need	no need	no need	
	Weight of Heaviest Component	kgs.	4070	4450	4835	5600	
	Electric Power		415V/50Hz				
Motor	Power	kW	15	18.5	18.5	18.5	
Hydraulic System	System Pressure	MPa	30	30	30	30	
	Oil Tank Capacity	ltrs.	100	180	180	180	
	Controls			Radio Remote Control			
				Manual			
	Section of Tubular Column		(mxm)	0.75 x 0.75			
	Boom Type			Hydraulically Foldable Arm Sections			
	Delivery Pipeline Diameter		mm	125			
	Length of End Hose		m	3-4		4	
	1st Section	Length	m	8.9	8.3	8.8	9.8
		Articulation	deg.	0° - 90°	0° - 90°	0° - 90°	0° - 90°
	2nd Section	Length	m	7.5	6.5	7.9	8.9
		Articulation	deg.	0° - 180°	0° - 180°	0° - 180°	0° - 180°
	3rd Section	Length	m	7.6	6.6	7.8	8.8
		Articulation	deg.	0° - 205°	0° - 246°	0° - 180°	0° - 180°
	4th Section	Length	m	—	6.6	7.5	8.5
		Articulation	deg.	—	0° - 234°	0° - 205°	0° - 205°
	Climbing Type			Hydraulic			
Internal Climbing Step Distance		m	0.60				
Floor Frame			Hole Prepared in Floor				



ALL INDIA NETWORK



SPARE PARTS & SERVICE

ACE has all India Sales and Service network operating out of all the major cities. These outlets are fully equipped to provide genuine spare parts and services by company trained engineers. These outlets are further supported by company officials based at Delhi, Mumbai, Chennai, Kolkatta, Ahmedabad, Surat, Pune, Jaipur, Chandigarh, Ranchi, Raipur, Indore, Bhubneshwar, Lucknow, Jamnagar, Hyderabad, Bangalore, Guwahati, Patna, Vizag & Kochi.

CUSTOMER CARE

TOLL FREE No

1800 1800 004

- WORKS
- ▲ REGIONAL OFFICES
- ▲ AREA OFFICES
- SALES AND SERVICE DEALERS



MARKETING H.Q.

4th Floor, Pinnacle, Surajkund, NCR-121009
Ph.: +91-129-4550000, Fax: +91-129-4550022
E-mail: marketing@ace-cranes.com

REGISTERED OFFICE

Dudhola Link Road, Dudhola, Palwal-121102, Haryana
Ph.: +91-1275-280111, Fax: +91-1275-280133
CIN : L74899HR1995PLC053860

MUMBAI OFFICE

31, "Kalpataru Court", Chembur, Mumbai - 400074
Ph.: +91-22-25206846, 25207070, Fax: +91-22-25207071
E-mail: acemumbai@ace-cranes.com

KOLKATA OFFICE

"Forma Towers" 84-A, Second Floor, AJC Bose Road, Kolkata - 700014. Ph.: +91-33-65012050
E-mail: acekolkata@ace-cranes.com

CHENNAI OFFICE

1st Floor, "Alsa Regency", 165, Eldams Road, Alwar Pet, Chennai - 600018
Ph.: +91-44-24314253, Fax: +91-44-24314252
E-mail: acechennai@ace-cranes.com



ACE

Action Construction Equipment Ltd.

Contact:



ACE reserves the right to alter any specifications without prior notice. Dimensions, weights & capacities mentioned herein are variable by ± 5%. Accessories if shown are not part of the Standard Equipment.

