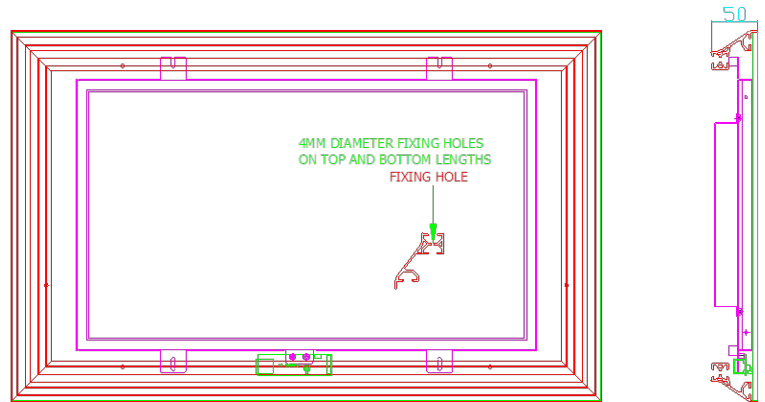


# Silhouette Installation Guide

## Safety

Aquavision recommends installation to be carried out by a qualified installer. Please ensure that the latest wiring and safety regulations are adhered to. If your Aquavision is powered by a low voltage power supply unit, this should be positioned away from any water source. Please observe the safety zones in bathrooms and other wet areas.

**IF IN DOUBT REFER TO A QUALIFIED PERSON. THE FRONT AND BACK PARTS OF THIS APPLIANCE MUST BE EARTHED.**

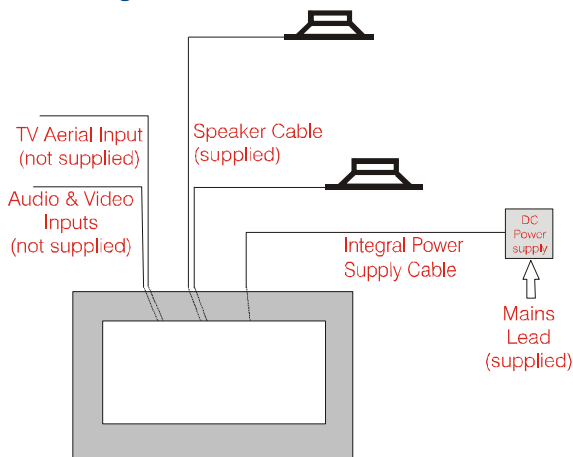


## Installation

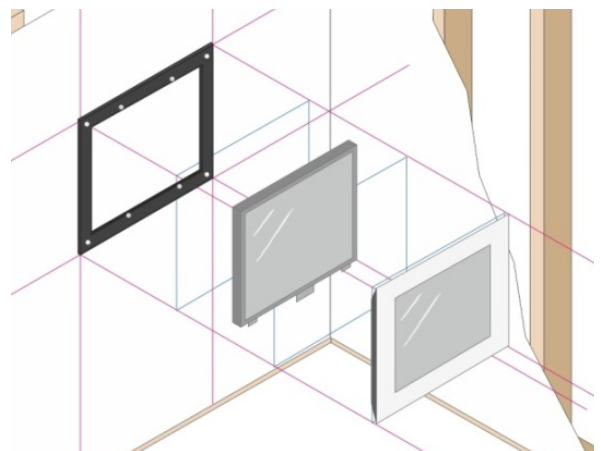
1. When the position has been defined, line the frame up and mark the fixing holes.
2. If you are installing this in a wet environment, apply a bead of silicone all around the back of the frame to create a seal between fixings and wall. *Failure to do this will prevent your TV and wall from being waterproofed fully and may invalidate your warranty due to incorrect installation.*
3. The fixing frame should only be mounted on vertical walls, not on sloping attic surfaces or similar.
4. Using the correct fixings, screw the fixing frame to the wall making sure it is true and square.
5. Run the cables to their positions as shown in Fig. 1, ensuring that there is enough cable slack for connection at the rear of the AQUAVISION. Ensure that the cables are easily available and cannot fall back into a cavity, etc.
6. The back frame is now in position to accommodate the LCD unit and finally the glass. Instructions on fitting these components are supplied with each item respectively.

Screen size	16"	22"	27"	32"	42"	55"	65"	85"
Viewing angle	89° x 89°	89° x 89°	89° x 89°	89° x 89°	89° x 89°	89° x 89°	89° x 89°	89° x 89°
Resolution	FHD	FHD	FHD	FHD	FHD/4K	4K	4K	4K
Overall Size (H x W x D)	374 x 519 x 50 (14 <sup>3</sup> / <sub>8</sub> x 20 <sup>7</sup> / <sub>16</sub> x 2")	395 x 558 x 50 (15 <sup>5</sup> / <sub>8</sub> x 22 x 2")	476 x 706 x 50 (18 <sup>3</sup> / <sub>4</sub> x 27 <sup>7</sup> / <sub>8</sub> x 2")	554 x 837 x 63 (21 <sup>7</sup> / <sub>8</sub> x 33 x 2 <sup>1</sup> / <sub>2</sub> ")	674 x 1032 x 63 (26 <sup>5</sup> / <sub>8</sub> x 40 <sup>5</sup> / <sub>8</sub> x 2 <sup>1</sup> / <sub>2</sub> ")	819.5 x 1304 x 63 (32 <sup>3</sup> / <sub>8</sub> x 51 <sup>1</sup> / <sub>8</sub> x 2 <sup>1</sup> / <sub>2</sub> ")	974 x 1594 x 63 (38 <sup>3</sup> / <sub>8</sub> x 62 <sup>3</sup> / <sub>8</sub> x 2 <sup>1</sup> / <sub>2</sub> ")	2504 x 1229 x 95 98 <sup>3</sup> / <sub>8</sub> x 48 <sup>1</sup> / <sub>2</sub> x 3 <sup>3</sup> / <sub>4</sub> "

## Cabling Schematic



## Installation Schematic



**HEAD OFFICE AND FACTORY**  
Aquavision  
Unit 7 Riverpark, Billet Lane  
Berkhamsted, Hertfordshire  
HP4 1HL  
United Kingdom  
+44 [0]1442 872665

**AMERICAN OFFICE**  
Aquavision, Inc.  
#197  
5 Southside Drive, Suite 11  
Clifton Park, NY 12065  
America  
+1 800 524 1804



sales@aquavision.tv  
sales@aquavision.us

www.aquavision.tv  
www.aquavision.us