

Master Plus HIP

100-600kVA

Three-phase input

Three-phase output

Uninterruptible Power Supply

Main Features

- On-line double conversion
- Static and manual bypass
- Input power factor > 0.99
- Output power factor 0.9
- Input current THDi < 3%
- Flexible solutions
- Galvanic isolation
- Parallel/redundant operation
- LCD screen
- Superior battery management
- 50 or 60Hz operation
- Wide input voltage range
- Programmable output
- Various battery options
- RS-232/USB and contact interface
- SNMP communication options
- Free software



Tel: +44 (0)1920 871077

Fax: +44 (0)1920 871337

Email: sales@cetronicpower.com

Your satisfaction is our motivation

www.cetronicpower.com

SPECIFICATIONS

MODEL	MP HIP 100	MP HIP 120	MP HIP 160	MP HIP 200	MP HIP 250	MP HIP 300	MP HIP 400	MP HIP 500
Rated power (kVA)	100	120	160	200	250	300	400	500
Power (W)	90	108	144	180	225	270	360	450
INPUT								
Nominal voltage	380 – 400 – 415 Vac Three-phase							
Voltage tolerance	400 V +20% / -25%							
Frequency	45 – 65 Hz							
Power factor	> 0.99							
Harmonic current distortion	< 3% THDi							
BATTERIES								
Type	Open lead acid and VRLA AGM / GEL;NiCd							
OUTPUT								
Nominal voltage	380 – 400 – 415 Vac Three-phase + N							
Static stability	±1%							
Dynamic stability	±5% in 10ms							
Voltage distortion	<1% with linear load / <3% with non-linear load							
Crest factor	3:1							
Frequency	50 or 60 Hz (selectable)							
Overload	110% for 1 minute; 125% for 10 seconds; 150% for 1 second							
ADDITIONAL INFO								
Weight	656	700	800	910	1000	1400	1700	2100
Dimensions (hwd) (mm)	1900 x 800 x 850		1900 x 1000 x 850			1900x1500x1000		1900x2100 x1000
Remote signals	volt-free contacts (configurable)							
Communication	Double RS232 + remote contacts + 2 slots for communications interface							
Ambient temperature	0°C / +40°C							
Relative humidity	<95% non-condensing							
Colour	Dark grey RAL 7016							
Noise level at 1m (dBA)	63 - 68					70 - 72		
Protection level	IP20							
Regulations	Safety: EN 62040-1-1 (directive 2006/95/EC); EMC: EN62040-2 (directive 2004/108/EC)							
Classification according to IEC 62040-3	(Voltage Frequency Independent) VFI – SS -111							

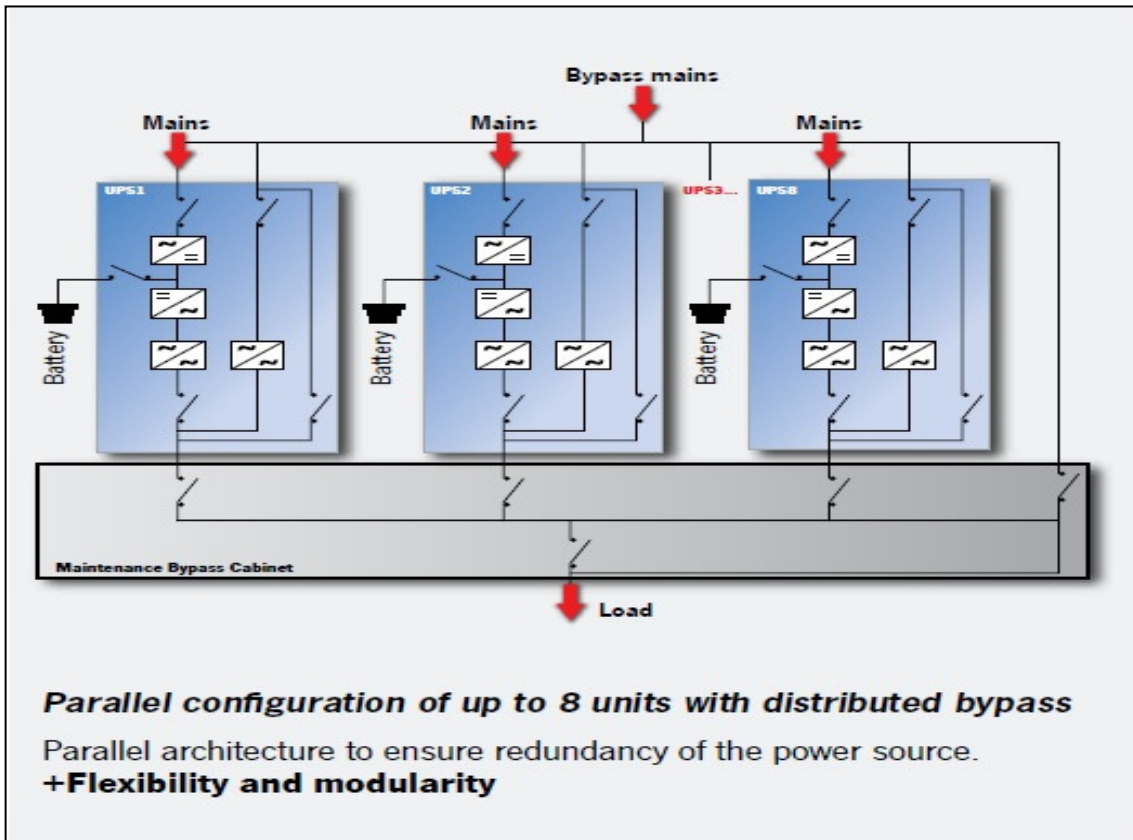
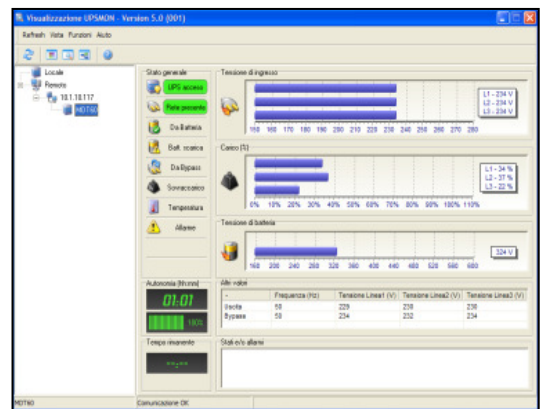
Specifications are subject to change without any prior notice.

Optional Extras

- SNMP Network Interface Card
- Relay Card (Volt-free contacts)
- Parallel Redundant Operation
- Separate Bypass Input Supply
- Galvanic Isolation Transformers
- External Manual Bypass Switch
- Extended Battery Back-Up Times
- Service and Maintenance Plans



Left: Remote Alarm Panel
Right: Screenshot of software.
Below: Parallel UPS diagram



Issue 10/15



Tel: +44 (0)1920 871077
Fax: +44 (0)1920 871337
Email: sales@cetricpower.com



Your satisfaction is our motivation
www.cetricpower.com