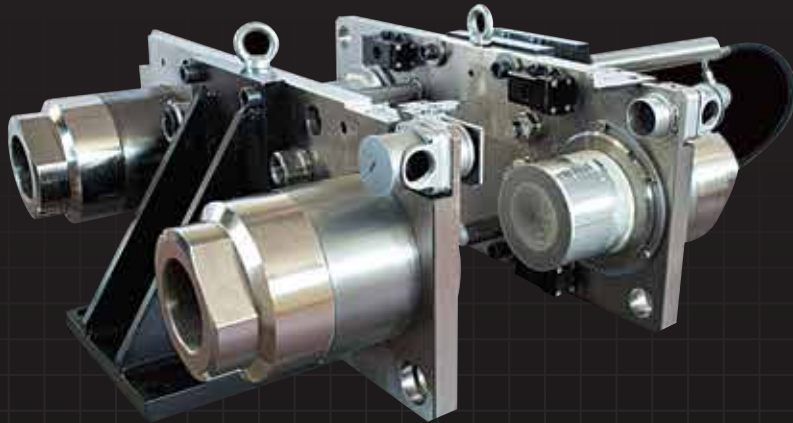
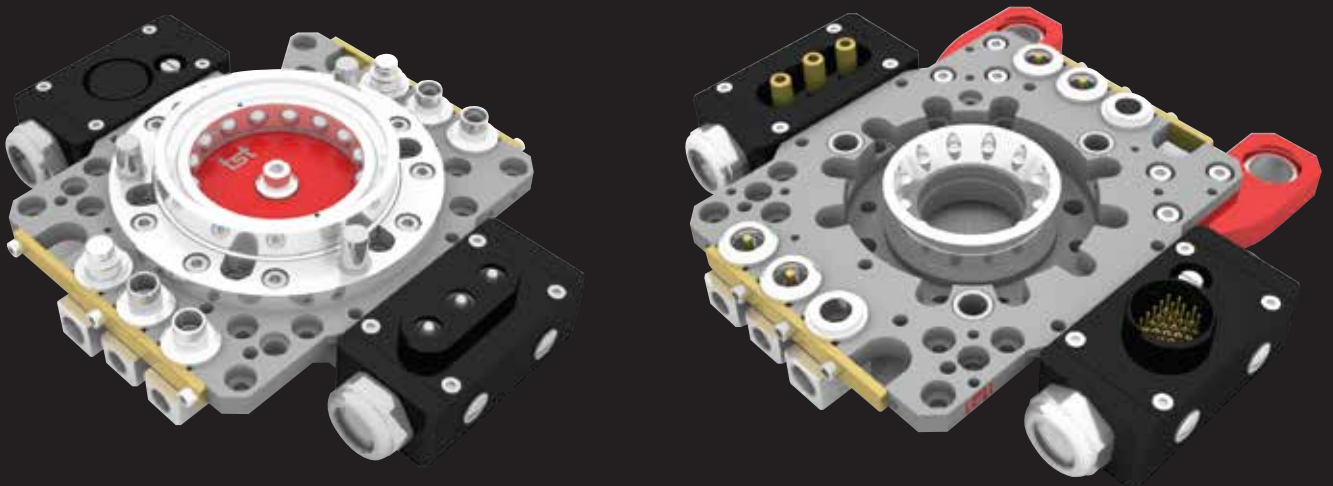




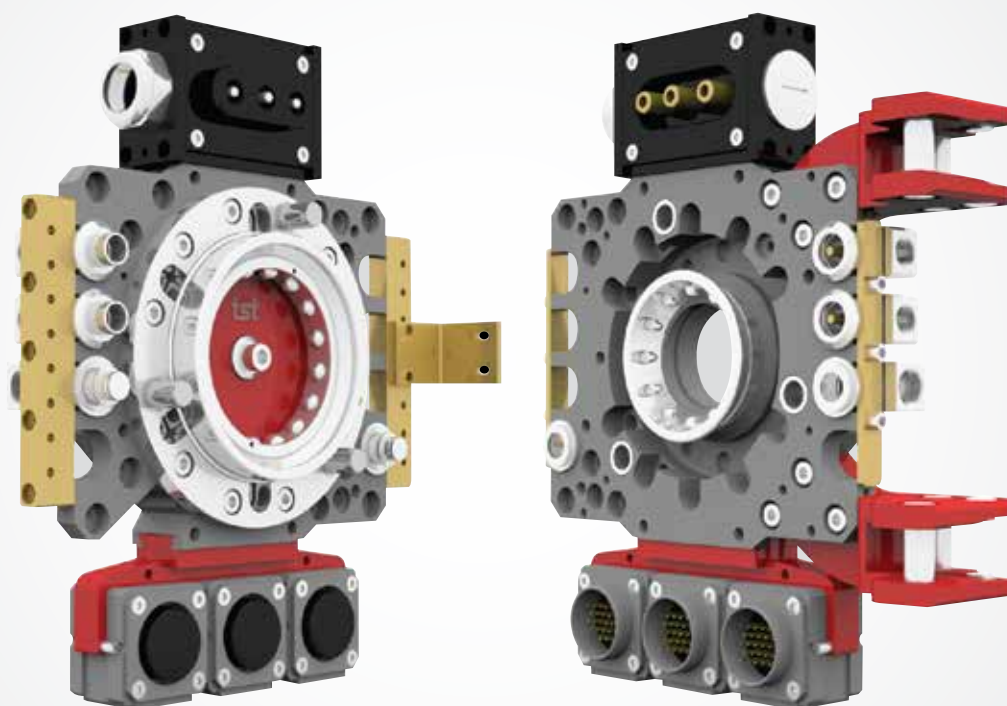
CONNECTOR TECHNOLOGY
AUTOMATION IN ROBOT-DOCKING AND TOOL-CHANGING SYSTEMS



TOOL
CHANGER **218**

tst[®]

www.tst-tamsan.com



TOOL CHANGER

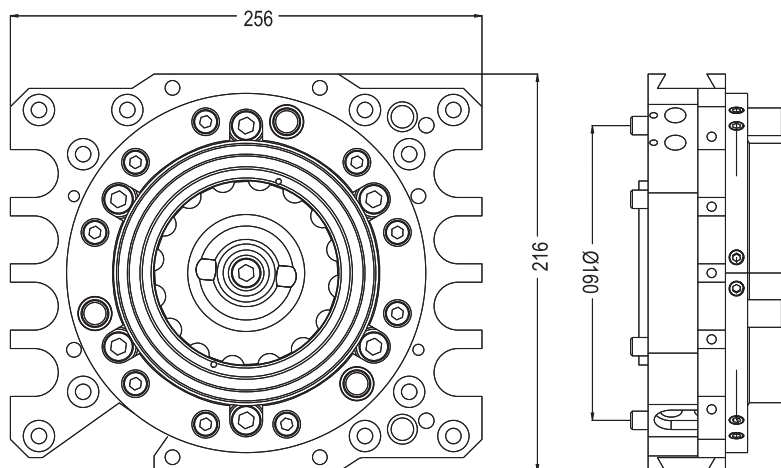
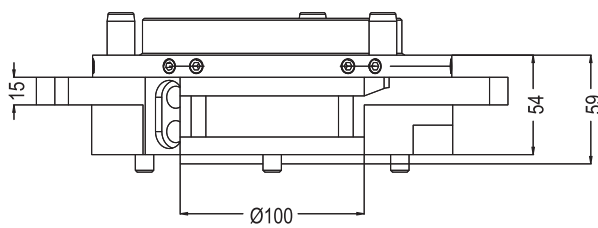
218

SERIE



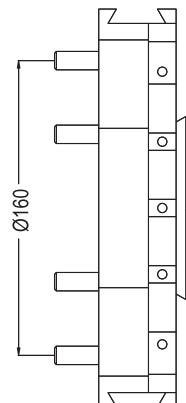
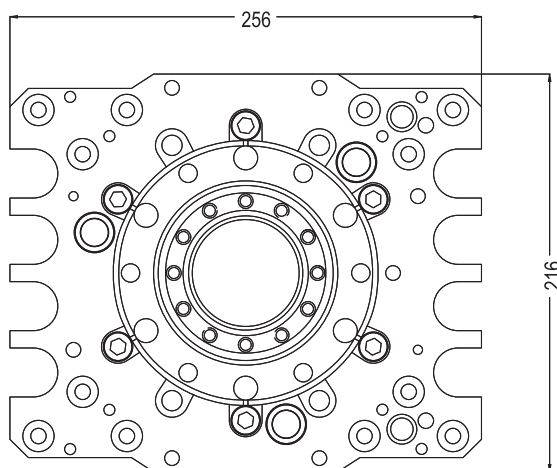
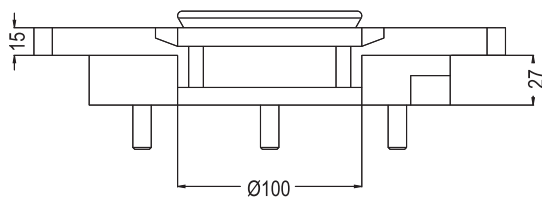


BASIC SERIE
MM218.E00.S000.A00.K0000.04



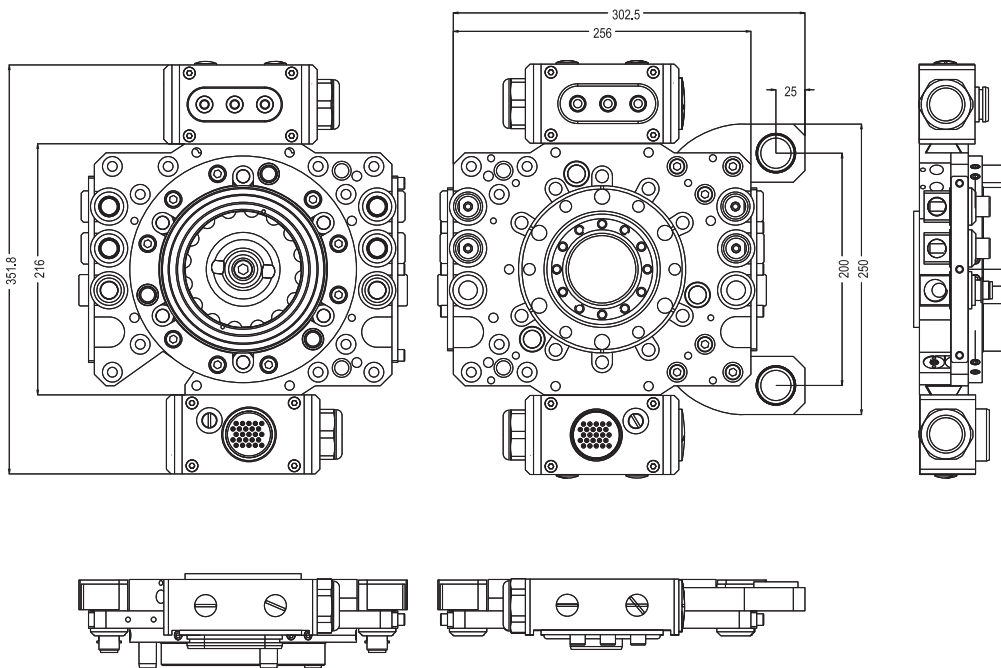


BASIC SERIE
MK218.E00.S000.A00.K0000.04



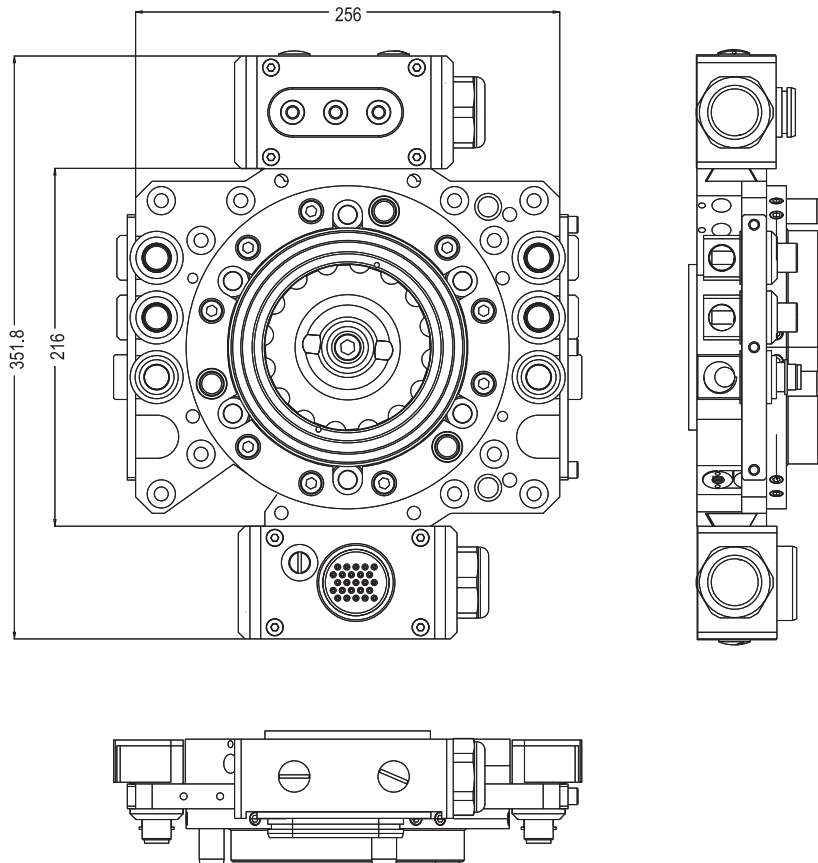


MMK218.E03.S025.A02.K4217.01



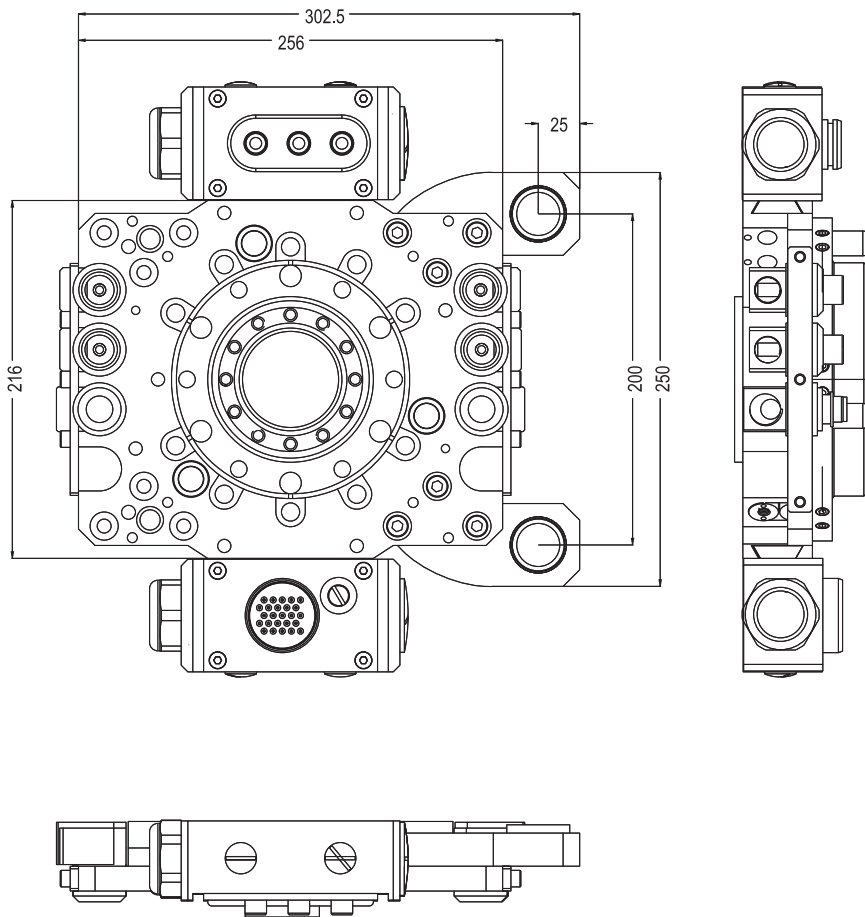


MM218.E03.S025.A00.K4217.02



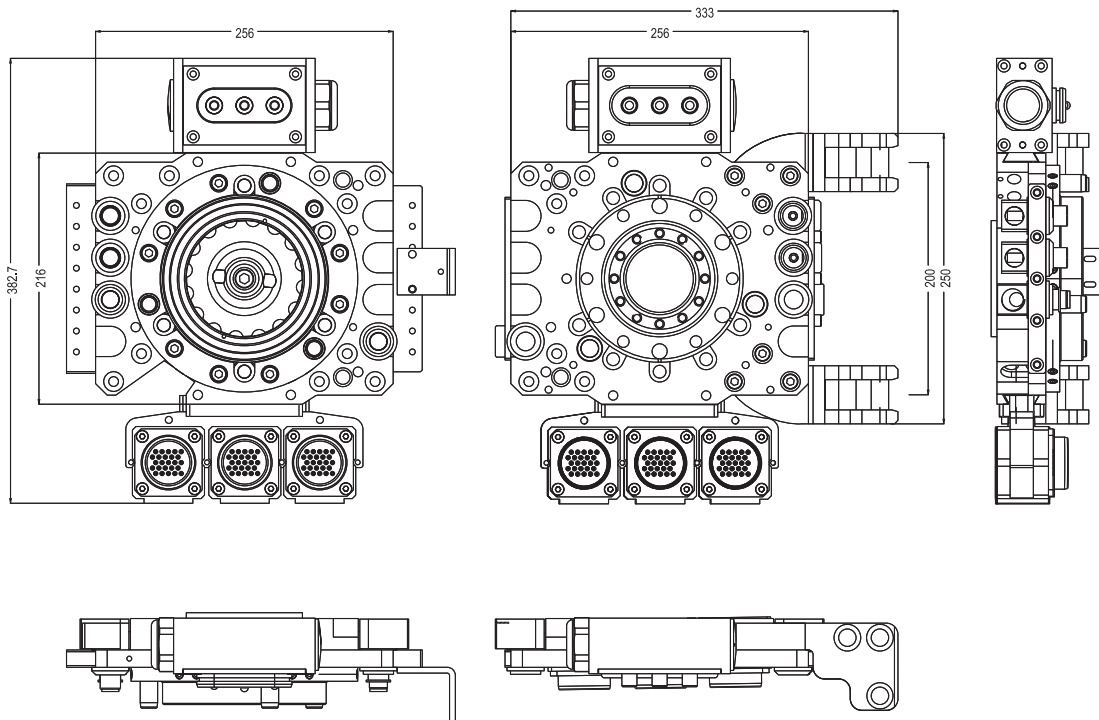


MK218.E03.S025.A02.K4217.03



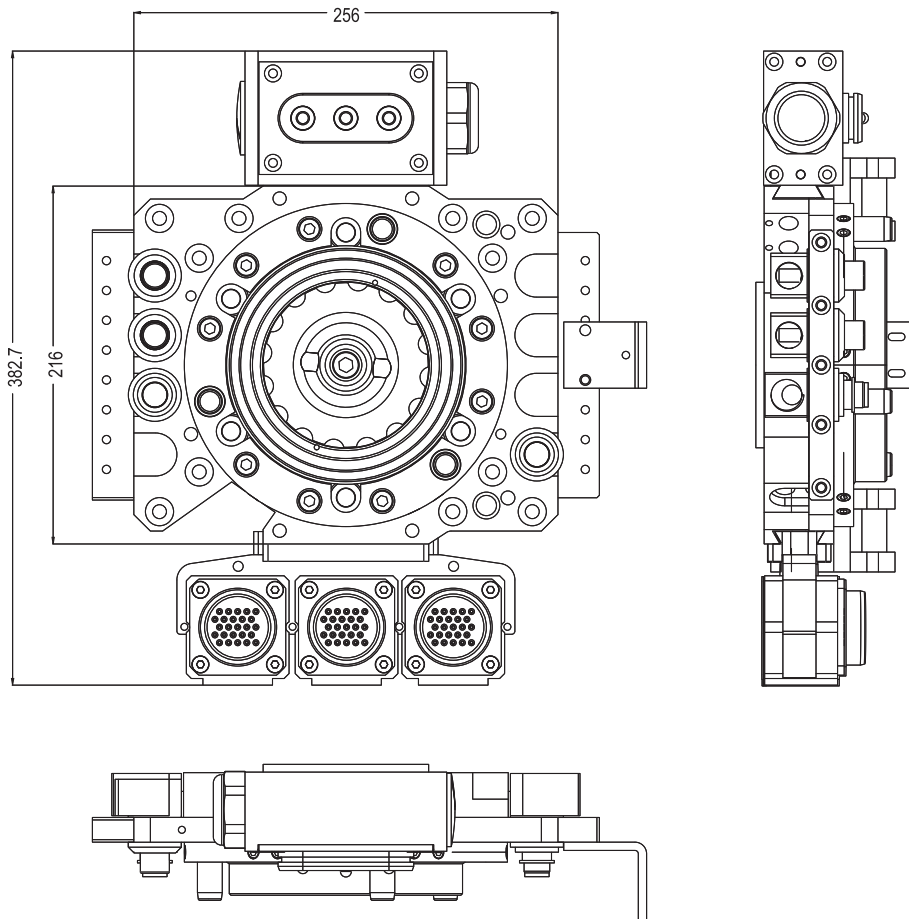


MMK218.E03.S325.A01.K2221.01



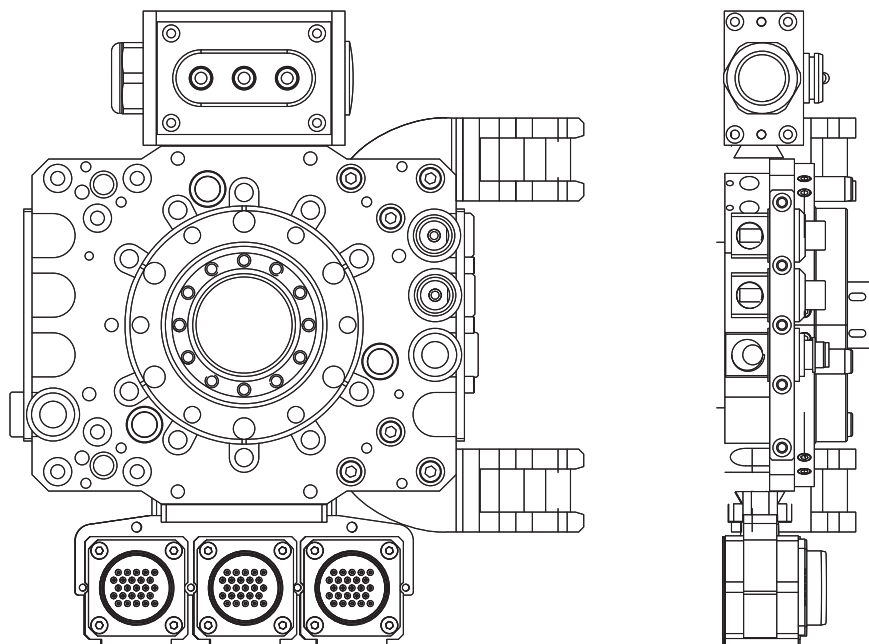


MM218.E03.S325.A00.K2221.02





MK218.E03.S325.A01.K2221.03





MK218 KR 150
Tool side bearing righth



MK218 KL 150
Tool side bearing left



MMK218 ST 210
Assembly group plug girder
(three-way)



MK218 KR 120
Tool side fine bearing righth



MK218 KL 120
Tool side fine bearing left



MM218 DS 003-VBK
Robot side housing with Ø14mm,
2+PE socket contacts



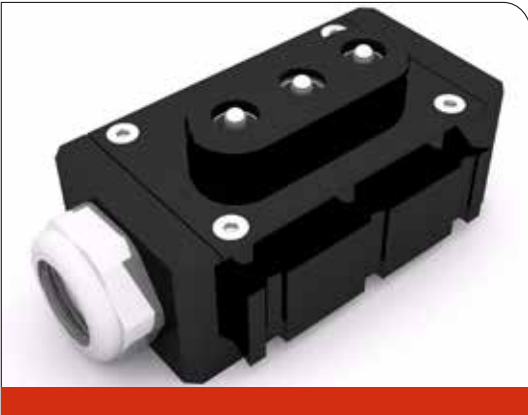
MK218 ES 003-VBK
Tool side housing with Ø14mm,
2+PE pin contacts



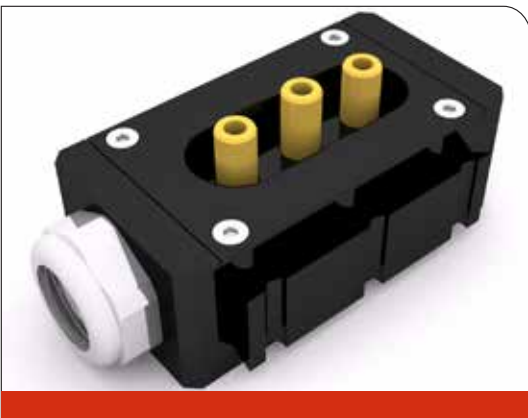
MM218 DSK 003-VBK
Robot side housing without Ø14mm,
2+PE sockets



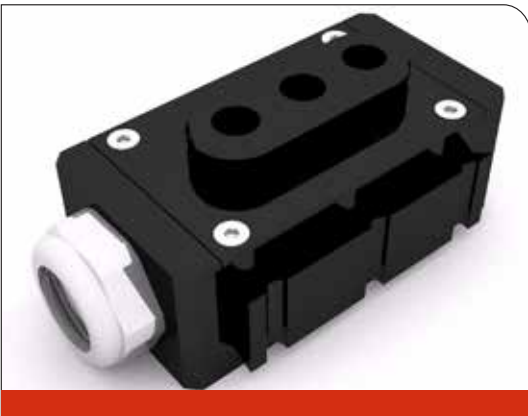
MK218 ESK 003-VBK
Tool side housing without Ø14mm,
2+PE pins



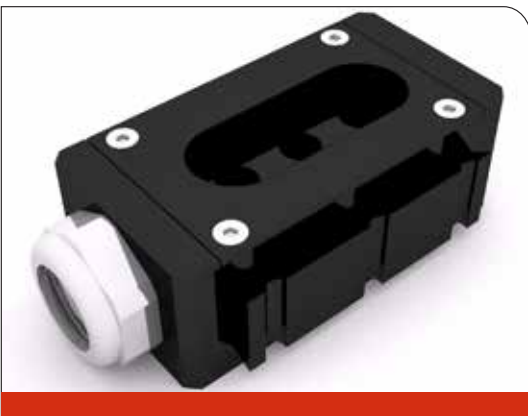
MM218 DS 003
Robot side housing with Ø14mm,
2+PE socket contacts



MK218 ES 003
Tool side housing with Ø14mm,
2+PE pin contacts



MM218 DSK 003
Robot side housing without Ø14mm,
2+PE socket contacts



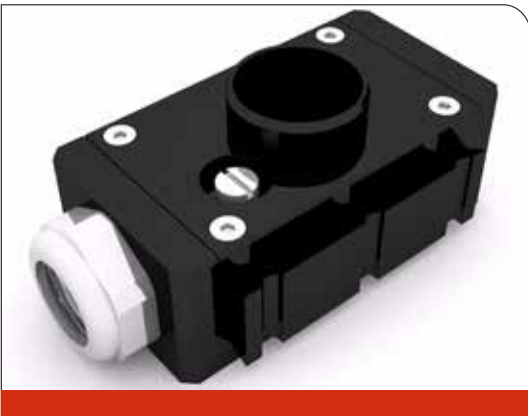
MK218 ESK 003
Tool side housing without Ø14mm,
2+PE pin contacts



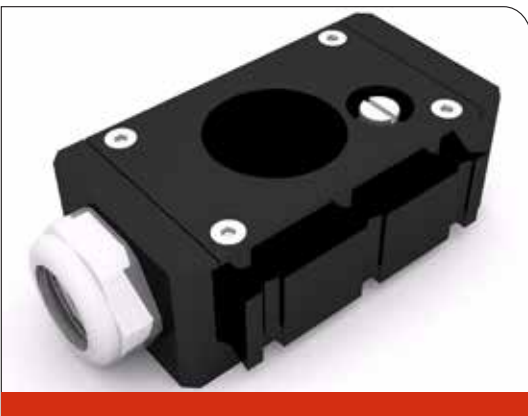
MK218 ES 025
Tool side squarely 24+PE pin contacts



MM218 DS 025
Robot side squarely housing with
24+PE socket contacts



MK218 ESK 025
Tool side squarely housing without
24+PE pin contacts



MM218 DSK 025
Robot side squarely housing without
24+PE socket contacts



MK218 EF 014
Tool side Ø14mm pin contact for power



MM218 ES 014
Robot side Ø14mm socket contact for power



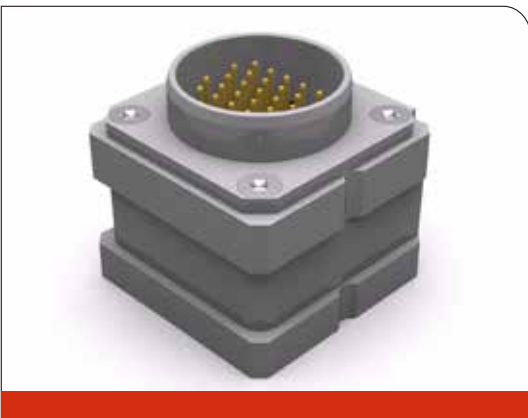
MMK218 EFS 014
Robot & Tool side Ø14mm
pin and socket contact for power



MM218 SKK 000
Robot side 360.06 socket housing protecting cup



MM218 DS 125
Robot side squarely 360.03 socket housing
with 24+PE



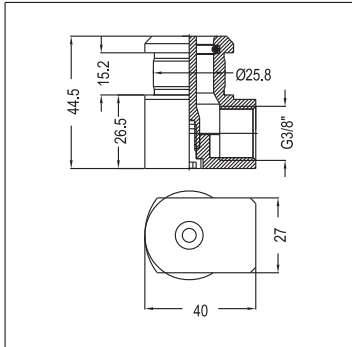
MK218 ES 125
Tool side squarely 360.03 pin housing
with, pins 24+PE



MM218 DSK 125
Robot side squarely 360.03 socket housing



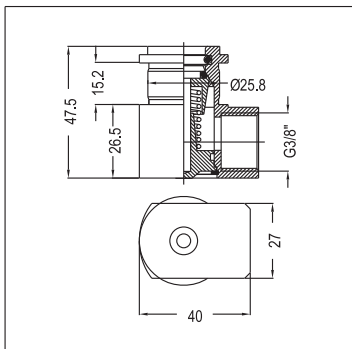
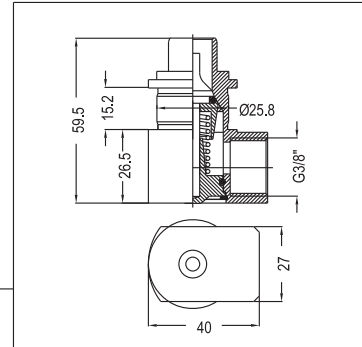
MK218 ESK 125
Side squarely 360.03 pin housing



218.10 DGF 17-90

Female Threaded Air Coupler

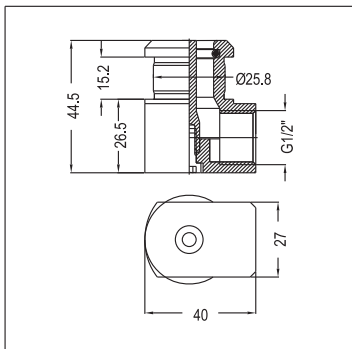
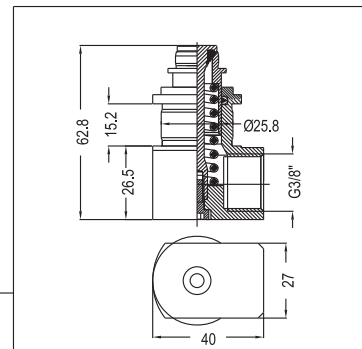
218.10 DUB 17-90



218.10 DUB 17-90-01

Female Threaded Water Coupler

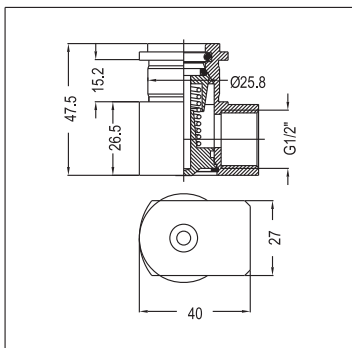
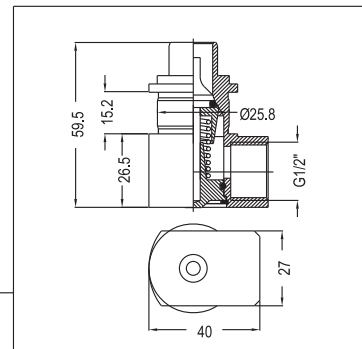
218.10 DGB 17-90



218.10 DGF 21-90

Female Threaded Air Coupler

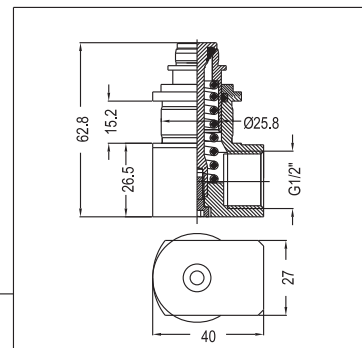
218.10 DUB 21-90



218.10 DUB 21-90-01

Female Threaded Water Coupler

218.10 DGB 21-90



Interchangeability
Walther Robot Couplers DN-10

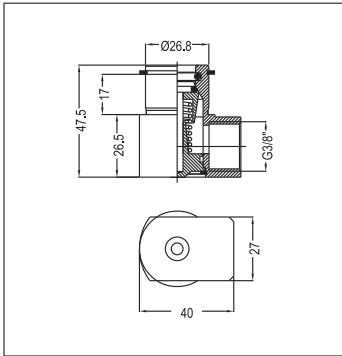
Flow Capacity
NW 10 (78 mm Sq.)

Temperature Range
-10°C, +180°C (+15°F, +356°F)

Water Coupler
Body = AISI-303 SSteel
Spring = Stainless Steel
Seal = FPM (V)
Plug = AISI-303 SSteel

Air Coupler
Body = Alü-Black Coat
Spring = Stainless Steel
Seal = FPM (V)
Plug = Alü-Black Coat

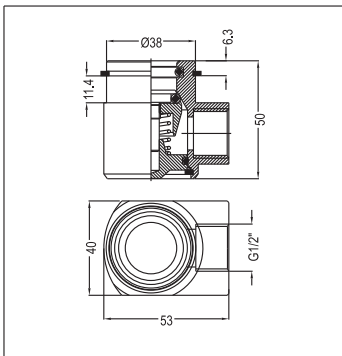
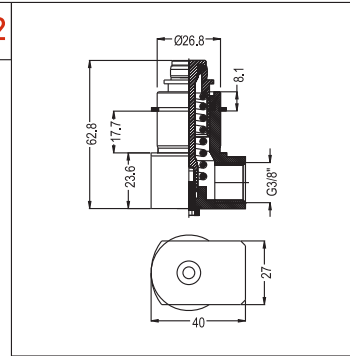
Working Pressure
0-6 Bar, (0-87 PSI)



218.12 DGB 17-90-02

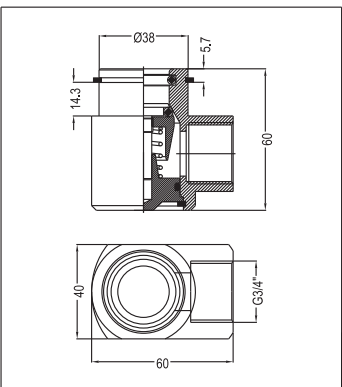
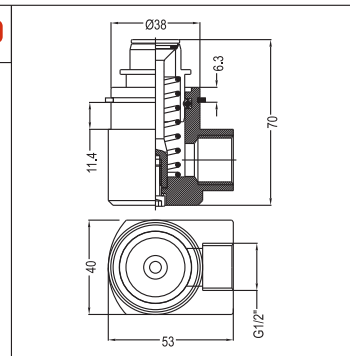
(For OBARA)

218.10 DUB 17-90-02



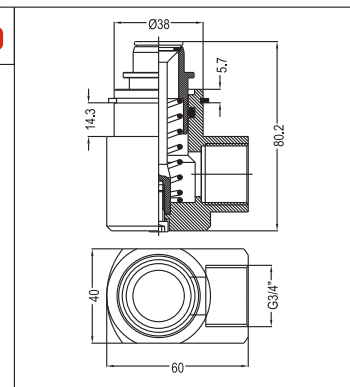
218.12 DGB 21-90

218.12 DUB 21-90



218.16 DUB 26-90

218.16 DUB 26-90



Interchangeability
Walther Robot Couplers DN-10

Flow Capacity
NW 10 (78 mm Sq.)
NW 12 (113 mm Sq.)
NW 16 (200 mm Sq.)

Temperature Range
-10°C, +180°C (+15°F, +356°F)

Water Coupler
Body = AISI-303 SSteel
Spring = Stainless Steel
Seal = FPM (V)
Plug = AISI-303 SSteel

Working Pressure
0-6 Bar, (0-87 PSI)



EK218 BT24-M
Blue Button



EK218 BT24-Y
Green Button

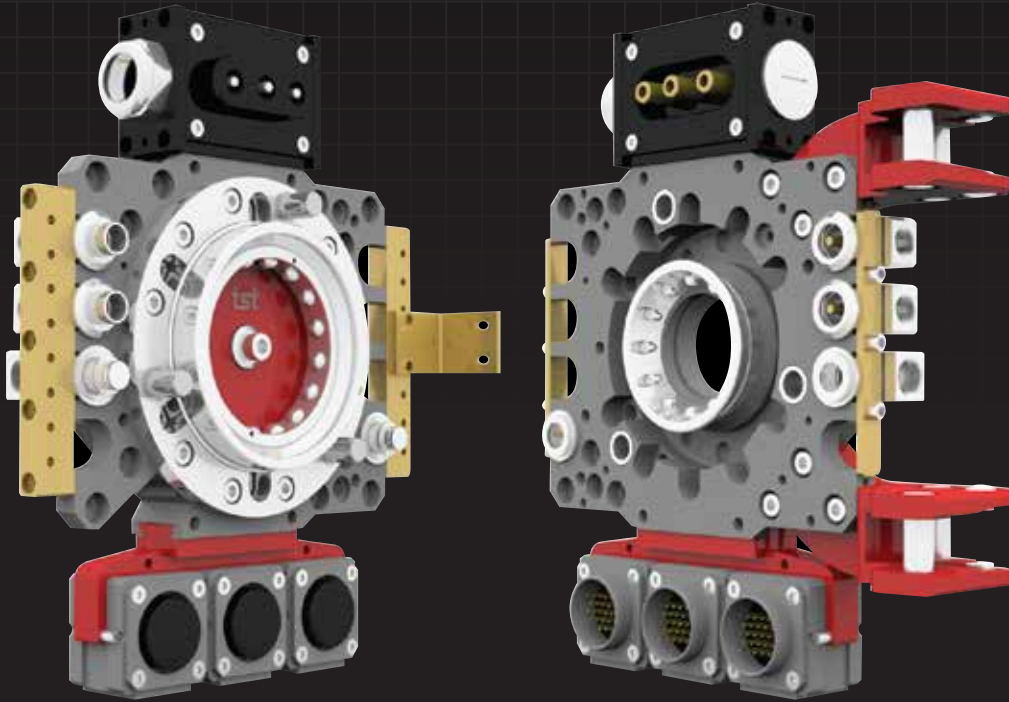


EK218 BT24-S
Black Button



EK218 BT24-K
Red Button

QUICK COUPLINGS
• SCHNELLKUPPLUNGEN •



tst[®]

TAMSAN BAĞLANTI ELEMANLARI A.Ş.
GEPOSB Gebze / Kocaeli TÜRKİYE
Factory Tel: +90 262 751 20 44 Fax: +90 262 751 30 44

EXPORT DEPARTMENT
Tel: +90 262 751 20 25 Fax: +90 262 751 20 50
www.tst-tamsan.com / info@tst-tamsan.com

MADE IN  TÜRKİYE

K-Q
TSE-ISO-EN
9000