



WARNING & SAFETY INSTRUCTIONS

These warning and safety instructions for the Bessertrim Grass Cutting System are not a replacement for the manual for your grass trimmer / brush cutter unit. At all times, you must read these warning and safety instructions in conjunction with the manual for your grass trimmer / brush cutter unit and follow all warnings and safety instructions therein. Failure to do so can result in serious or fatal injury to the operator and / or bystanders.



PHYSICAL CONDITION OF OPERATOR

Do not operate your grass trimmer / brush cutter unit when tired, ill or under the influence of alcohol, drugs or medication. If you get tired, take a break.



EYE PROTECTION

Wear eye protection that complies with ANSI Z87.1 (or your equivalent national standard). In addition, to further reduce the risk of injury, we recommend that the operator wears a face shield.



CLOTHING & FOOTWEAR

A cutting attachment shield (guard) may not fully protect the operator against thrown objects and especially ricochets. Always wear heavy, long pants, boots, gloves, and a long-sleeve shirt. Do not wear loose clothing, jewellery, short pants, sandals or go barefoot. Secure hair so it is above shoulder level.



HEARING PROTECTION

Observe labelling on your grass trimmer / brush cutter unit requiring operator hearing protection.



CONDITION OF UNIT BEFORE USE

Inspect unit before each use as specified in the manual for your grass trimmer / brush cutter unit. Replace damaged parts. Check for fuel leaks. Make sure all fasteners are in place and secure. Retighten all accessible screws and nuts if required. For units equipped with a clutch, ensure that the cutting attachment stops turning when the engine idles. Do not use your unit otherwise. For directions on how to adjust idle speed, refer to your grass trimmer / brush cutter unit's operating manual and / or dealer.



CONDITION OF CUTTER HEAD BEFORE USE

Replace the cutter head if cracked, chipped or damaged in any way. Never try to repair the cutter head by welding, straightening or modifying its shape. Make sure the cutter head and cutters are properly installed and securely fastened in accordance with the assembly instructions contained herein. Be sure the cutting attachment shield is properly attached and in the position recommended by the manufacturer.



PROPER USE

Only use your grass trimmer / brush cutter unit as specified in the manual for your grass trimmer / brush cutter unit.

Never use your grass trimmer / brush cutter unit with a loose cutting attachment. Check the condition of the cutting assembly at regular intervals including that the cutting assembly fixings are properly tightened. If the cutting assembly starts to behave differently, e.g. by vibrating excessively or becomes clogged with debris, cease use immediately and wait for the cutting assembly to stop; then check the

condition of the unit and / or clean the cutting head.

Use only cutters recommended by Bessertrim. Never use, for example, wire or wire-rope, which can break off and become a dangerous projectile.

Loss of control of your grass trimmer / brush cutter unit may result in serious or fatal injury to the operator and bystanders. Ensure the proper use and positioning of your hands, feet, any handlebar(s), any harness(es), and the unit as specified in the manual for your grass trimmer / brush cutter unit. Keep firm footing and balance. Do not over-reach. Keep the cutting assembly below waist level, if possible at ground level and parallel to the ground. Keep all parts of your body away from the cutting assembly. Take special care in difficult conditions such as whilst working on slippery, uneven or sloping terrain.

Never leave your grass trimmer / brush cutter unit unattended. Do not lend or rent your grass trimmer / brush cutter unit without the instruction manual for your grass trimmer / brush cutter unit and these Warning and Safety Instructions.



KICK OUT

Kick out (akin to 'blade thrust') may occur when the spinning cutting attachment contacts an object that it does not immediately cut.



WORK AREA

Clear the area to be cut before each use. Remove all objects such as stones, rocks, broken glass, nails, wire or string, which can be thrown, ricochet or become entangled. Clear the area of children, bystanders and pets. At a minimum, keep all children, bystanders and pets outside a 50 ft (15 m) radius; outside the 50 ft zone, there is still a risk of injury or damage to property (such as vehicles and windows) from thrown objects. Bystanders should be encouraged to wear eye protection. If you are approached, stop the engine and the

cutting assembly. There is the added risk of injury to bystanders from being struck with the cutting assembly in the event of kick out (akin to 'blade thrust') or other unexpected reaction of your grass trimmer / brush cutter unit.

Use of your grass trimmer / brush cutter unit is not recommended in areas containing a lot of stone or gravel.

Use of your grass trimmer / brush cutter unit may cause dust to be thrown up which may be inhaled by the operator or bystanders causing respiratory problems. This may include chemicals such as pesticides or herbicides used to treat the vegetation. Where possible, your grass trimmer / brush cutter unit should be operated so that any prevailing wind directs any dust away from the operator and bystanders. In certain circumstances, use of a mask or respirator by the operator and bystanders may be advisable.

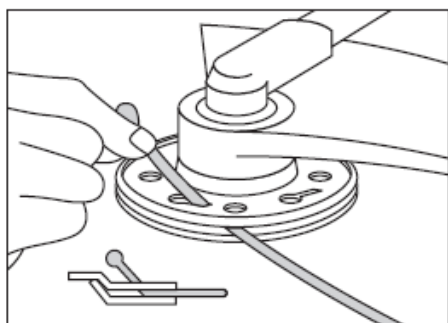


TRANSPORTATION AND STORAGE OF THE UNIT

Note that the cutting attachment may continue to rotate after the throttle is released and / or unit turned off. Make sure the cutting attachment has stopped before the unit is set down. Do not transport your machine when the engine is running or the cutting attachment is moving.

LOADING INSTRUCTIONS

Push the cutter, small end first, into the loading slot so it moves between top and bottom flange on the cutter head (inside to out). Pull it through until the 'ball' locates into the loading slot. Once in place, check the cutter swivels freely.

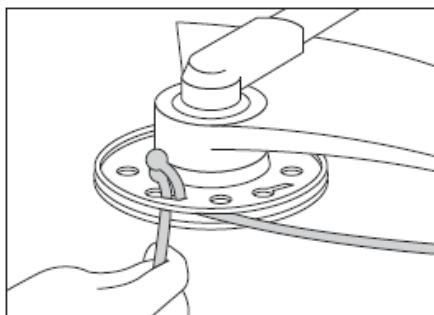


NUMBER AND SIZE OF CUTTERS

Begin by using two cutters and only increase to four if your engine allows. Listen to your engine, if it seems to labour whilst using four cutting lines it is likely that the cutter size being used is too large.

UNLOADING INSTRUCTIONS

To replace the old nylon cutter, push the ball end downwards or upwards out of the loading slot by using the ball end of the replacement cutter, then pull the old cutter out.



'DECIMATOR' CUTTERS

A heavy duty, cable reinforced Nylon cutter for the toughest environments. Only suitable for machines with a cutting radius of 200+ mm. For use with BTHD1.



WEAR OF THE 'DECIMATOR' CUTTERS

'Decimator' cutters will wear during normal use whereby the Nylon in the cutting zone (the last 15mm to 25mm) wears away and the underlying cable starts to fray. Thereafter, the cable wears away and the cutter shortens. Replace the cutter if the wear pattern deviates from this or the Nylon becomes completely worn away. During use, grooves will naturally form in the ball of the cutter.

QUALITY AND SAFETY

Bessertrim are committed to providing high quality, fully tested, fully safe products to market. Where appropriate, all machinery supplied by BesserTrim is CE marked and compliant with the EC 'Machinery' Directive 2006/42/EC together with all relevant ISO and ANSI standards.



CUTTERS

BT35 (50 pack, blue 3.5mm Nylon):



BT40 (50 pack, red 4.0mm Nylon):



BT40D 'Decimator' (10 pack, black 4.0mm, cable reinforced Nylon):



sales@bessertrim.co.uk
www.bessertrim.co.uk