

**Levant**

The Chairlift for straight staircases



**ThyssenKrupp Access**  
Life Uplifted.



**ThyssenKrupp**

# Levant Comfort



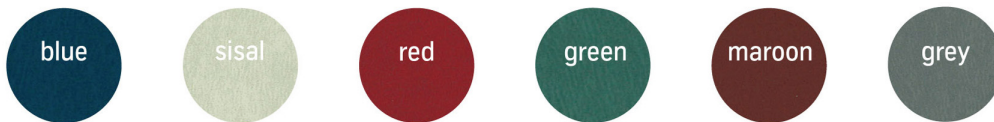
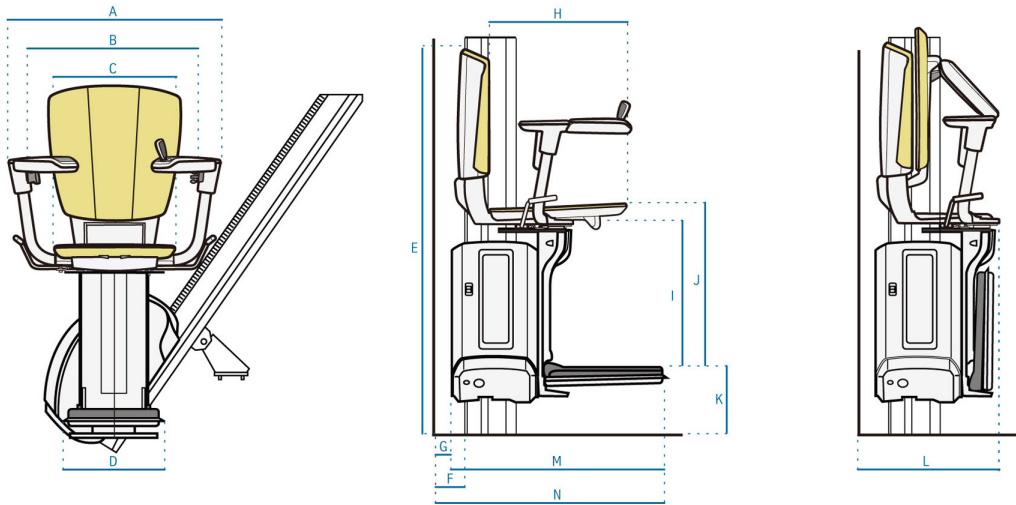
## Ergonomics, design and functionality in one

Working closely with ergo-therapists and international focus groups, Levant is the next generation chairlift.

By consulting ergonomics experts as well as existing chairlift owners the Levant design is simple, sturdy and above all matches your accessibility requirements.

Levant's simplicity allows the chairlift to be installed in your home very quickly.

Fitted directly onto your stairs cleanly and discretely, the chairlift glides swiftly along an aluminium track.

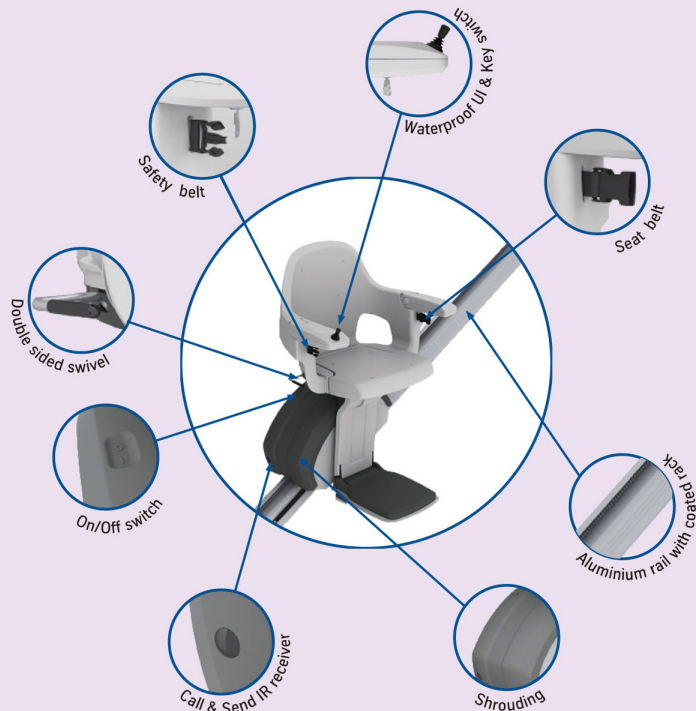


## Spaceclaim

Dimensions in millimeter

A	Total width	584	I	Footrest to bottom of seat	400
B	Width between armrests	467	J	Footrest to top of seat	417.5
C	Folding seat width	320	K	Footrest height	115 (94 - 118)
D	Footrest width	295	L	Chairlift folded	380
E	Height	917 (920 + K)	M	Chairlift unfolded	598
F	Rail from wall	74	N	Chairlift unfolded from wall	632 (M + G)
G	Chairlift from wall	34			(swivelled 680)
H	Seat depth	408			

# Levant Outdoor



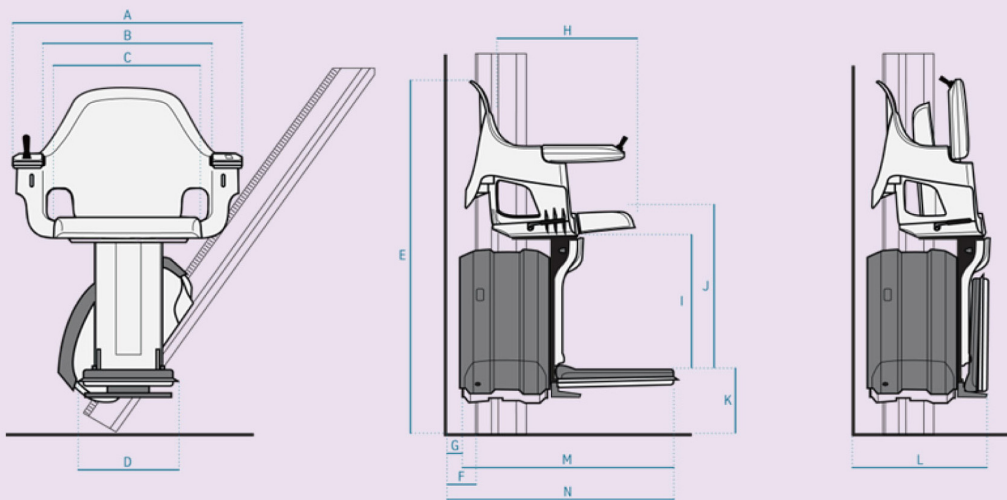
## Seat

The ergonomically designed seat makes the ride smooth and comfortable. Generous seat adds to the comfort. When folded up the seat takes up significantly less space, so the stairs are free for other users.

## Rail

The lightweight aluminium rail gives the Levant a modern look. In addition the aluminium rail is anodised; this keeps the surface clean. The rail supports are powder coated on RAL 7046, that colour fits neatly with aluminium. All the plastic parts on the rail are black (RAL 9011).

This way the cable for charging contacts goes almost unnoticed in the rail.

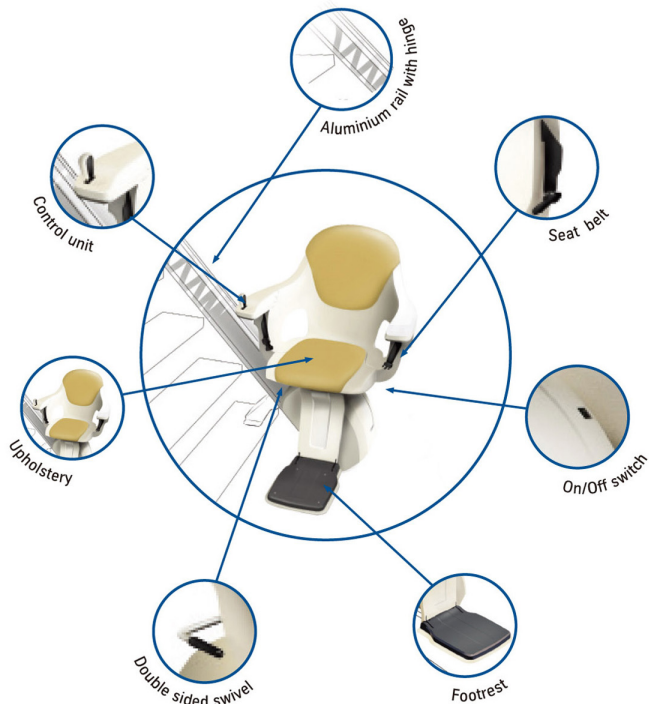


## Spaceclaim

Dimensions in millimeter

A	Total width	655	I	Footrest to bottom of seat	400
B	Width between armrests	485	J	Footrest to top of seat	450
C	Folding seat width	422	K	Footrest height	115
D	Footrest width	295	L	Chairlift folded	94-118
E	Height	963	M	Chairlift unfolded	372
F	Rail from wall	74	N	Chairlift unfolded from wall	602
G	Chairlift from wall	24		Swivelled seat width	636
H	Seat depth	410			684

# Levant



## Safety & Comfort

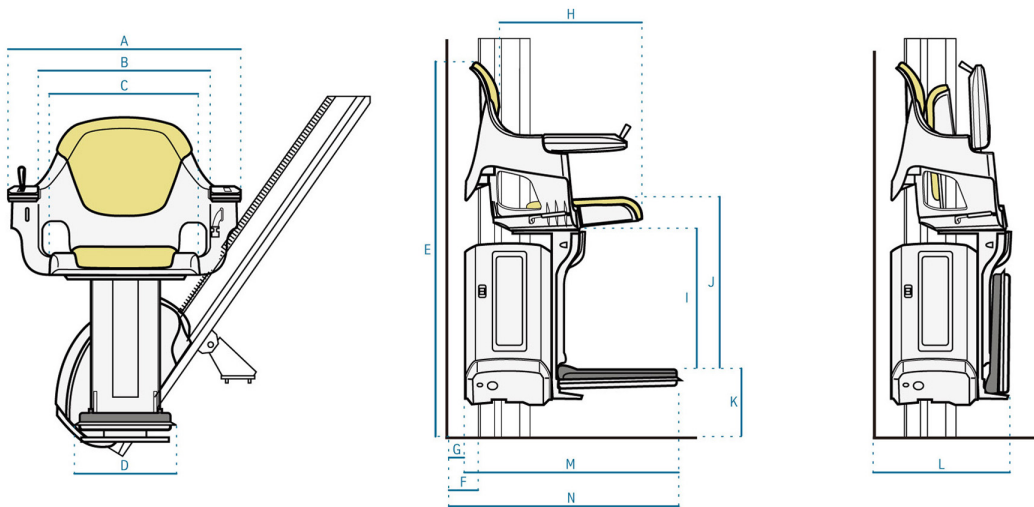
Quality, service and reliability are fundamental to our chairlift design.

Levant adheres to the latest stringent international safety certification, you can be assured of the highest service and quality levels.

Pressure sensitive edging around the chairlift provides extra security in the event of an obstruction on your stairs and the footrest protects against any trapping hazard.

An On/Off switch is fitted as standard, this keeps the batteries charged if you were to go on holiday and unplug the Levant.

With normal use the batteries have a long usage cycle.



## Spaceclaim

Dimensions in millimeter

A	Total width	655	J	Footrest to top of seat	478
B	Width between armrests	485			(450 without upholstery)
C	Folding seat width	422	K	Footrest height	115 (94 - 118)
D	Footrest width	295	L	Chairlift folded	368
E	Height	963 (848 + K)	M	Chairlift unfolded	598
F	Rail from wall	74	N	Chairlift unfolded from wall	632 (M + G)
G	Chairlift from wall	34			(swivelled 680)
H	Seat depth	410			
I	Footrest to bottom of seat	400			

# Technical specifications

## Levant Comfort/Levant

Lifting capacity	:	125 Kg 127-138 Kg (Levant)
Operation	:	Flow2 control unit, joystick operation (Also functions as key). Infra red call and send station with push button.
Drive system	:	Battery (24VDC), rack and pinion drive system.
Rail	:	Anodised aluminium
Inclination	:	28° up to 53°
Speed	:	Max. 0.12 m/s
Technical conformity	:	EN81-40 & EN55022 for CE and ASME18.1 approved.
Standard specification	:	5 meter basic rail with basic chair
Main options	:	Upholstery, call and send stations and hinge rail (Levant Comfort)

## Levant Outdoor

Lifting capacity	:	125 Kg
Operation	:	Joystick operation with key switch. Infra red call and send stations with push button.
Drive system	:	Rack and pinion drive
Rail	:	Anodised aluminium
Inclination	:	28° up to 53°
Speed	:	Max. 0.12 m/s
Standard specification	:	5 meter rail, outdoor drive, protective chair cover.
Main options	:	Call and send stations.



Did we inspire you?



**ThyssenKrupp Access**

3 International Business Park  
#06-01 Nordic European Centre  
Singapore 609927  
Phone: +65 6100 0106  
Email: [info.tkaasia@thyssenkrupp.com](mailto:info.tkaasia@thyssenkrupp.com)  
[www.tkaccessasia.com](http://www.tkaccessasia.com)

