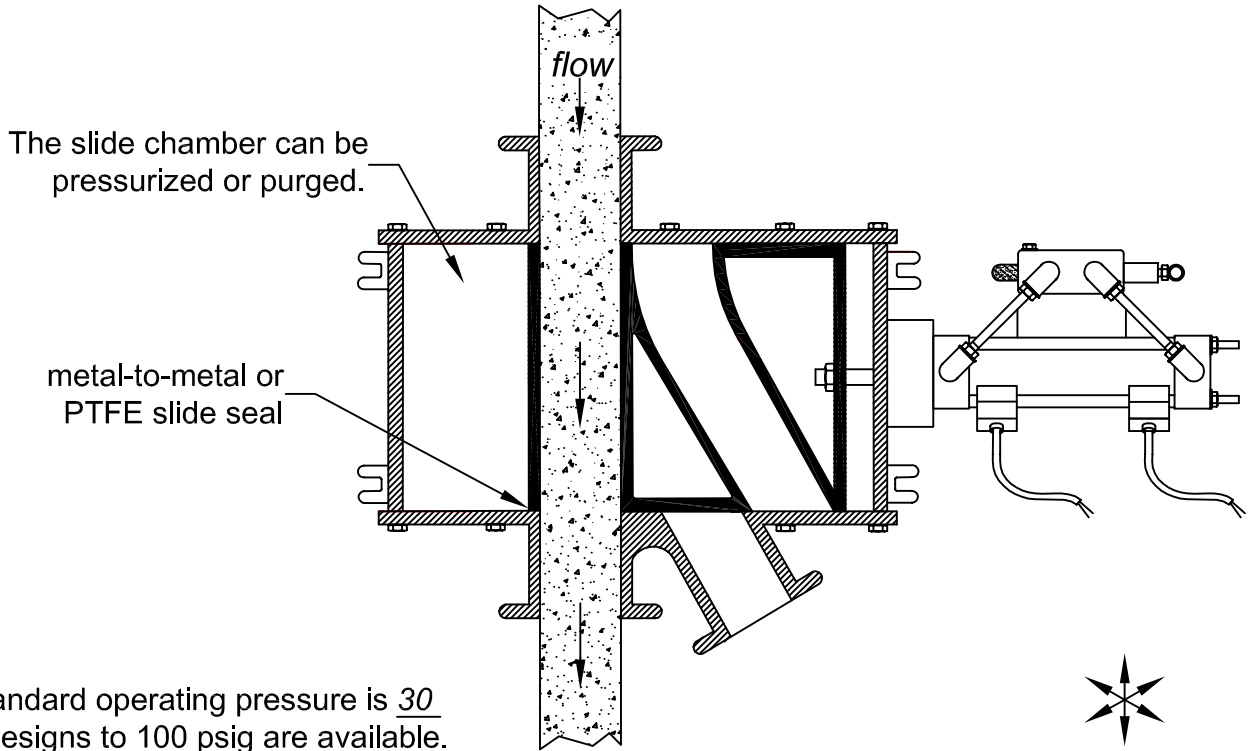
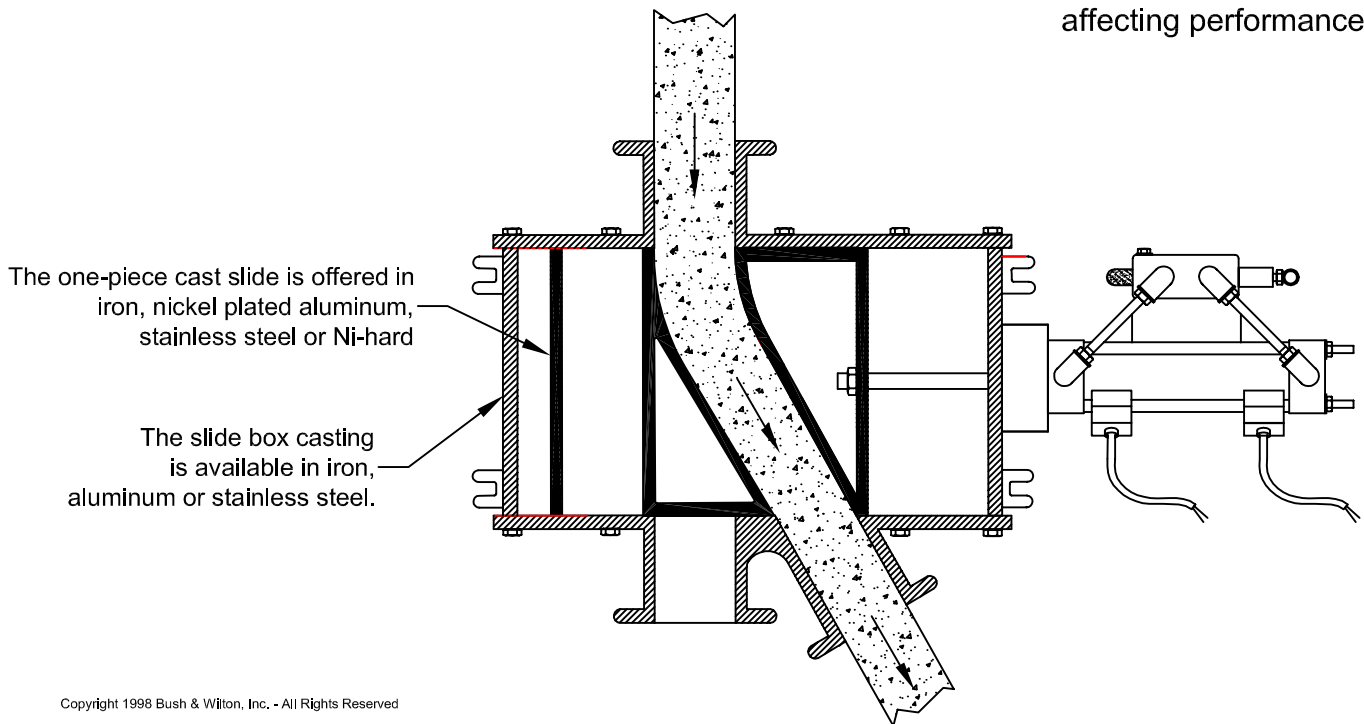


# "DBS" Slide-Box Diverter

Only one moving part, a clean bore and dust-tight box means that this diverter will perform better with friable materials such as tobacco and coffee with less breakage.



The DBS can be installed in any direction without affecting performance.



Copyright 1998 Bush & Wilton, Inc. - All Rights Reserved

## BUSH & WILTON, INC.

P.O. Box 691385 | Charlotte, NC 28227- 7024

Tel: 704.573.6858 | Fax: 704.573.6802

mail@bushandwilton.com

http://www.bushandwilton.com