



## > SAUSAGE FILLERS

THE COMPLETE RANGE FROM AK RAMON

AK Ramon supply a range of Superior stainless steel constructed power fillers. Designed with ease of use in mind, they are made at an ergonomic height and with smooth lines for easy cleaning. All fillers have wheels and a transport handle for easy storage when not in use.



Available to  
buy or rent

## TECHNICAL INFORMATION

- > All models made of stainless steel with fixed cylinders
- > Cover & piston made of anodised aluminium
- > Independent hydraulic oil tank
- > Speed can be changed conveniently and accurately
- > When the pedal is released the piston comes to a near instant stop
- > Equipped with wheels and handle for easy movement.
- > Ideal machine height to work ergonomically.
- > Easy cleaning.
- > Supplied with three stainless steel nozzles Ø 12, 20 and 30 mm.
- > 240v single phase motor

## OPTIONS

- > Stainless steel cover & piston

## ACCESSORIES

### Manual Portioner

- > Built in stainless steel and anodised aluminium
- > Precise, simple and effective system
- > Production can be scaled between 10-500 grams
- > Fully removable for easy cleaning
- > Production can be between 20-40 portions per minute

### Burger Former

- > Built in both steel and plastic suitable for food
- > Suitable for all types of piston fillers
- > Fully removable for easy cleaning
- > Easy change of die set
- Optional :
  - > Round disc with 95mm burger holes for either 100 gram or 80 gram burgers



Speed Controller



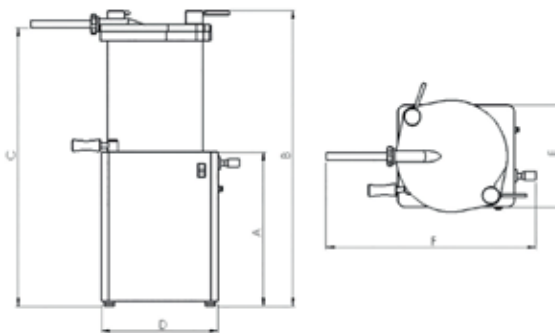
Removing Piston



Manual Portioner



Burger Former



The RAMON company was founded in Spain in 1957 by Mr. Silvestre Ramón Heredia, father of the current General Manager, Mr. Silvestre Ramón García, who has been in charge for the last 20 years.

Ramon is a family business devoted to the design and manufacture of machinery for the food and packaging industries.

After more than 50 years as manufacturers they have grown in the sector, thanks to their values of honesty, responsibility, confidence, quality, dynamism and professionalism.

Model	Size	Weight	Motor	A (mm)	B (mm)	C (mm)	D (mm)	E (mm)	F (mm)
SC-13	13l/26kg	107kg	1 HP/0,75 Kw	650	1195	1110	435	330	765
SC-20	20l/40kg	119kg	1 HP/0,75 Kw	650	1195	1114	435	360	790
SC-25	25l/50kg	137kg	1 HP/0,75 Kw	650	1197	1114	435	360	790
SC-30	30l/60kg	157kg	1 HP/0,75 Kw	650	1275	1192	435	360	815

## About CRS-epos

CRS is a family run business that has been supplying cash registers, EPOS systems, scales & food equipment for over 40 years to businesses throughout Suffolk, North East Essex & South Norfolk.

To find out more

Visit our showroom at :  
94 Rushmere Road,  
Ipswich, IP4 4JY.

T : 01473 723515

E: sales@crs-epos.com

The information given in this leaflet is subject to change without notice and does not represent a commitment on the part of CRS-epos