

Citroën Relay Tipper



Learn more online: www.ingimex.com/tippers


INGIMEX

Citroën Relay Tipper

Suitable for both carrying and tipping loads, the Ingimex tipper is a lightweight, high strength body with a market leading payload and designed to EN12642 XL & EN12640

Designed and tested to the latest European standards, fitted with an array of features as standard, and easily adapted to allow for the addition of optional modifications; the Ingimex tipper is the perfect partner for your Citroën Relay chassis.

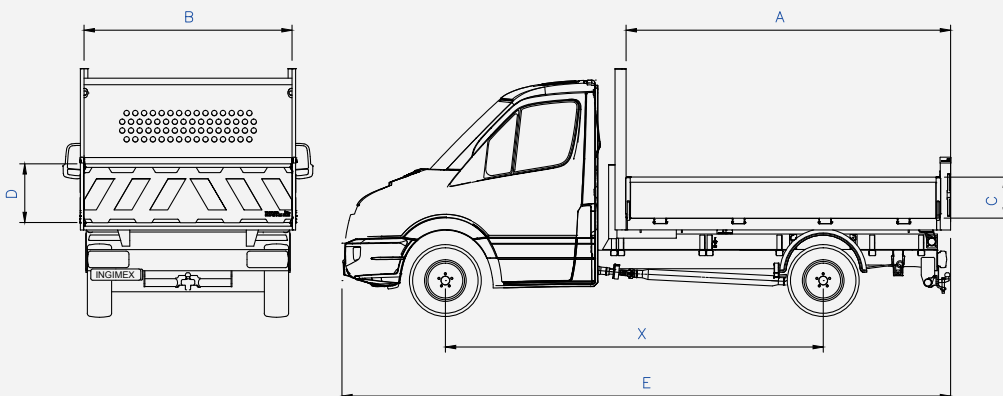


DESIGNED, MANUFACTURED AND TESTED IN THE UK



COMES WITH A 3 YEAR INGIMEX WARRANTY AS STANDARD

Cab Style	Single	Double
Frame length	L2	L3
Rear Wheel	SRW	
(X) Wheelbase (mm)	3450	4035
(A) Internal Length (mm)	2870	2670
(B) Internal Width (mm)	2026	2026
(B) External Width (mm)	2087	2087
(C) Sideboard Height (mm)	400	400
(D) Tail-board Height (mm)	600	600
(E) Overall Length (mm)	5859	6100
Body Weight (kg)	490	470



Learn more online: www.ingimex.com/tippers

Wide range of optional extras available

Our Tipper bodies support a wide range of bolt-on modifications to suit your needs

www.ingimex.com/options



www.ingimex.com ☎ +44 (0) 1952 585 833 ✉ sales@ingimex.com

