

SW-1070



Hybrid Control Panel

Safe & Secure

SW-1070(UK)
**Installation
Manual** 



www.hkc.ie

Security

Contents

	Page
1	SecureWatch Overview..... 1
2	System Hardware..... 3
3	Menu Navigation - Using Menu Keys..... 10
4	SW-1070 Menu Items Explained..... 11
5	Digi with Text / Voice (DTV) 23
6	Troubleshooting..... 28
7	Technical Specifications..... 30
	Appendix..... 31

Centre-page Pull-out; SW-1070 Programming Menu

HKC Ltd.
11-15 Betterton Street
Covent Garden
London
WC2H 9BP

Phone: 0800-1114599

Fax: +353-1-4568332

e-mail: sales@hkc.ie

Web: www.hkc.ie

WARNING


While this system has been designed to the highest standards it does not offer guaranteed protection against burglary or fire. Any alarm system is subject to compromise or failure to activate for a variety of reasons. Therefore, good installation practices and regular maintenance are essential to ensure continuous satisfactory operation of the system. The transmission of text messages is dependent on the SMS service provider. HKC Ltd. cannot guarantee successful messaging. Messages which remain undelivered when the validity period expires are discarded. The validity period is the time the message is submitted plus 12 hours.

COPYRIGHT

© HKC Ltd. All Rights reserved. No part of this publication may be reproduced, transmitted, stored in a retrieval system or translated in another language in any form or by any means - electronic, mechanical or otherwise without the prior written permission of HKC Ltd.

DISCLAIMER

HKC Ltd. makes no representations or warranties with respect to the contents hereof and specifically disclaim any implied warranties of merchantability or fitness for any particular purpose. Further, HKC Ltd. reserve the right to revise this publication and to make changes from time to time in the contents hereof without obligation of HKC Ltd. to notify any person of such revision.

 This marking certifies that this product has been tested in a representative system complying with the requirements laid down in Electromagnetic Compatibility directive 89/336/EEC and Low Voltage Directive 72/23/EEC and subsequent modifications.

1 SecureWatch Overview

The SecureWave 10/70 control panel comes with on-board **SecureWave 2-way wireless technology**. It also has 10 on-board zones which can be expanded to 70 zones by using six 10 zone expanders or 106 wired inputs by using forty point devices. The following features have been included in the panel....

PANEL

Wireless

- Easy to use install menu for wireless (RF) devices
- Devices include wireless... Contact/Inertia Sensor, Quad-PIR, PA Button, Fire Sensor, Internal Siren, External Siren, Key-fob and Repeater
- Up to 70 wireless detectors (Contact/Inertia Sensors, Quad-PIR's, PA Buttons & Fire Sensors)
- Up to 2 wireless Internal Sirens and 2 wireless External Sirens
- Up to 64 wireless Key-fobs
- Up to 2 Repeaters
- Comprehensive RF device status menu (inc. signal strength & battery capacity)

Zones

- All zones analysed
- All panel zones with dedicated alarm & tamper terminals
- Programmable zone descriptions
- Programmable zone wiring types; non EOL, single EOL & dual EOL loops.
- Zones 5, 6, 7 & 8 have ID sensor option

ID zones

- Up to 106 wired zones available with ID sensors, ID modules or ID PIR's
- All ID modules with dedicated alarm & tamper terminals
- Programmable ID zone descriptions
- No DIP switch settings required

Outputs

- 5 programmable outputs on main panel
- of which 3 are high current bell/strobe outputs

Other Features

- Resettable fuses
- Battery current monitoring and load test
- Enhanced engineer log; 999 events
- 8 block areas + 1 common area
- 2 partguard areas per block with programmable descriptions and timers
- 2 serial ports and 1 USB (mini - B) port
- Dual formatted; EN 50131-1 Grade 2 Class II & I.S. 199

KEYPAD (with Proximity tag)

- Supports up to 8 keypads on high speed keypad bus
- Graphics LCD
- Audio word library
- 64 Users; programmable user descriptions
- Built-in panic feature; pressing * and # buttons simultaneously
- No DIP switch settings required

EXPANDER (10 zone)

- All 10 expander zones analysed
- 2 fully programmable changeover relay outputs
- Supports 6 expander cards on high speed keypad bus
- All expander zones with dedicated alarm & tamper terminals
- No DIP switch settings required

PLUG-ON DIGI MODEM with VOICE & TEXT

- Reports to Central Stations on 16 *Fast Format* channels
- Other protocols; *SIA, Extended SIA & Contact ID*
- Can also send voice messages to 4 phones
- Reports to 19 SMS text compatible phones
- Supports *SmartLink7 Professional* and *SmartLink7 Personal Edition* high-speed upload/download

RF-KEYFOB

- Arm/Disarm/Part-arm via dedicated buttons
- Also secure Disarm via User Code
- Dedicated Duress button

MONITORED POWER SUPPLY

- Supports up to 5 monitored power supplies per ID bus (20 in total)
- Each power supply can be associated with particular zones and ID sensors
- 2 fully programmable relay outputs per power supply
- Deep discharge protection
- Fuse, mains & tamper monitoring
- Battery current monitoring and load test
- EN50131-6 (Grade 2, Class II)

OUTPUT CARDS

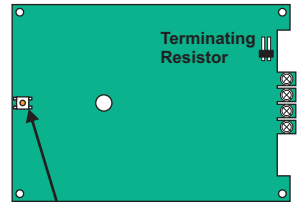
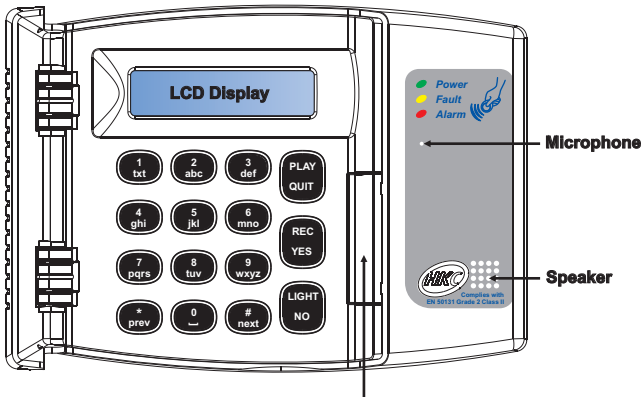
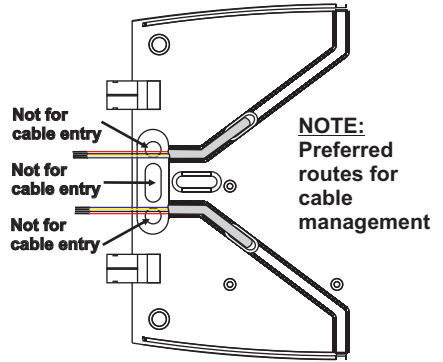
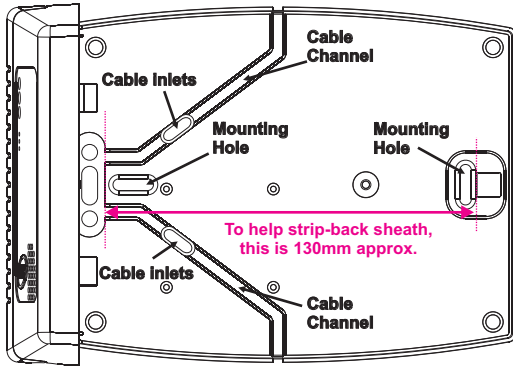
- Supports up to 5 output cards per ID bus (20 in total)
- 8 fully programmable changeover relay outputs per output card
- Open-collector version of output card available

GSM Unit

- Available in plastic or metal housing
- Metal version comes with 1Amp power supply
- Alternative GSM path to monitoring station
- Sends text messages
- Can control system by receiving text commands


2. System Hardware

SecureWatch RKP

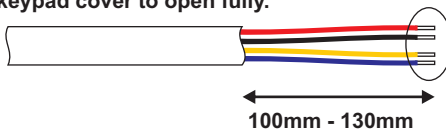


NOTE: The RKP's tamper switch is located here.

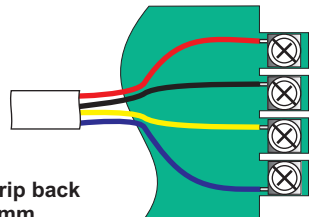
Lid Screw
(behind flap)

 **NOTE:** Do not over-tighten the lid screw.

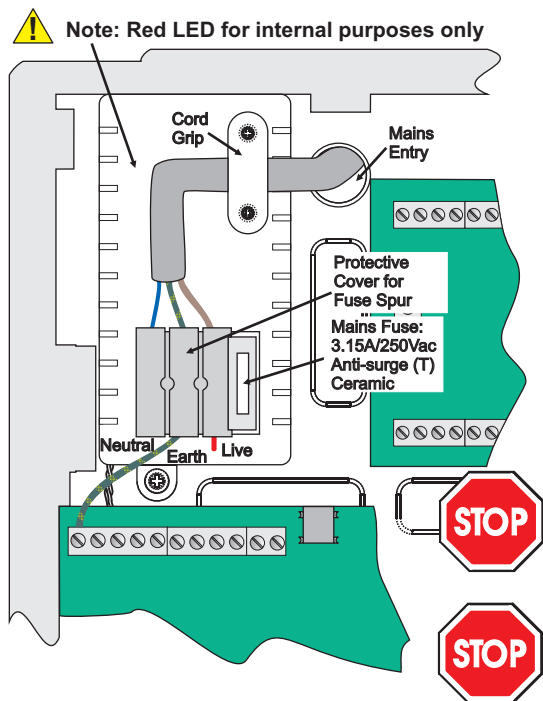
NOTE: When preparing the cable for the keypad, we recommend that the outer sheath be stripped back by 100 - 130mm approx. This will allow the keypad cover to open fully.



Also, strip back about 5mm from each core.



Main Panel



Useful Tips

For ease of installation you may remove lid by pulling out the black plastic hinges.

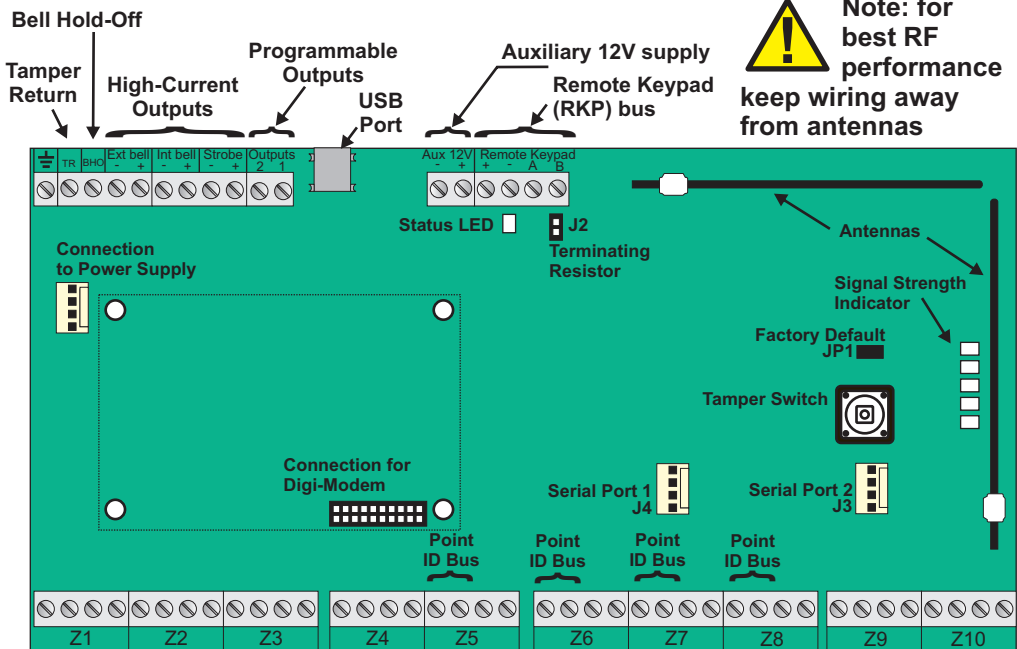
Always replace the mains fuse with the rating indicated.

Always ensure that a good earth is connected to the unit. This is required to ensure compliance with the EMC and LVD directives.

Isolate cables connected to panel from high voltage cables.

Isolate mains before commencing any maintenance on this unit.

After wiring mains, place protective cover on fuse the spur.



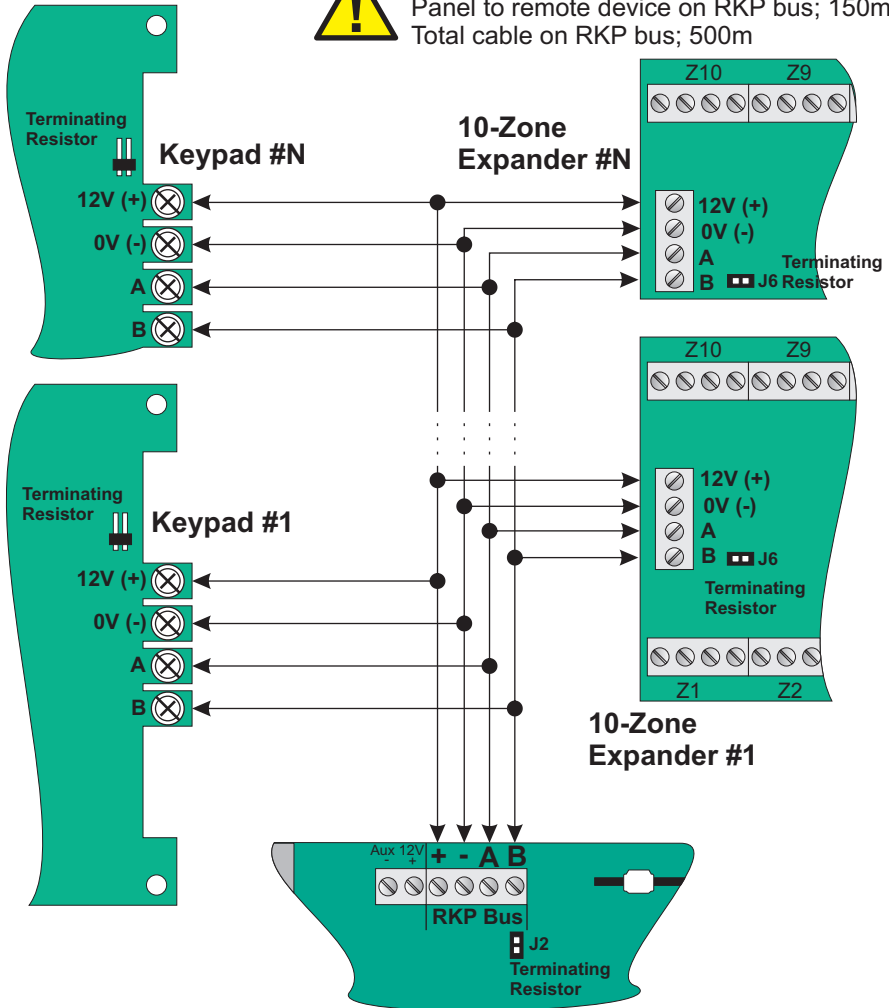
Zone Inputs (Alarm and Tamper) from 1 to 10

Default Eng. Code - 04567 Default User Code - 01234

Wiring Remote Keypads (RKP's) and Zone Expander



With standard alarm cable...
 Panel to remote device on RKP bus; 150m
 Total cable on RKP bus; 500m



Useful Tips

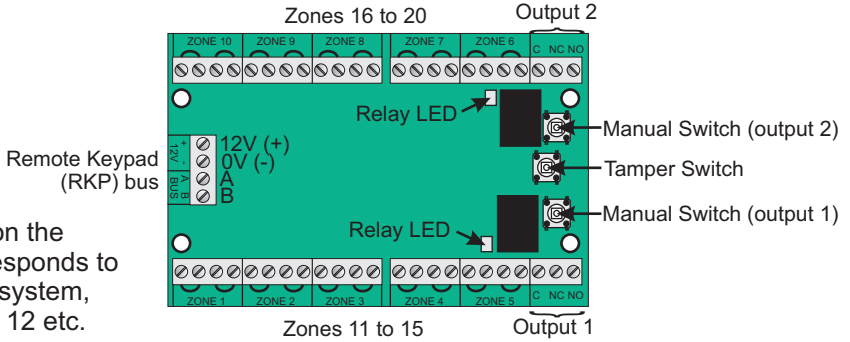
Control Panel

A maximum of 8 keypads and 6 expanders can be wired onto the system. Do not draw in excess of the holding current of the resettable fuses (see page 31); if necessary use remote power supplies. *Note: using this method, devices can be located up to 1km from the panel (with CAT5 cable).*

If an expander is located remotely ensure it is housed in a tamper proof box.

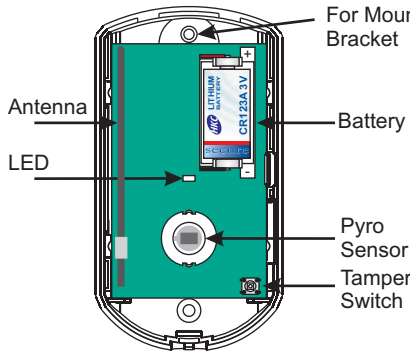
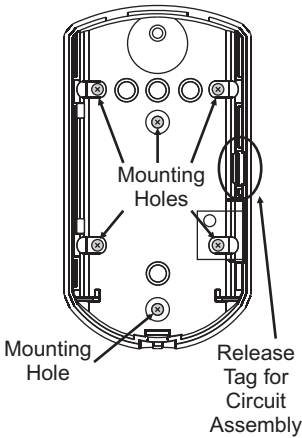
Go to **Devices Menu** then **Wired Devs Menu** and finally **Add&Id Devices** menu. There you have the choice to identify keypads into the system in **Add & Id:Keypads** and the expanders in **Add & Id:Expander**.

10 Zone Expander



Note: Zone 1 on the expander corresponds to zone 11 of the system, zone 2 to zone 12 etc.

RF-PIR

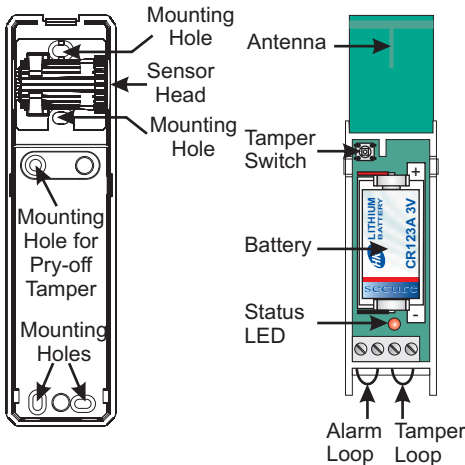


Useful Tip

To put an RF-PIR onto the system, go to **Devices Menu** then **RF Devs Menu** and finally either **Add&Id:RF Zones** or **Add&Id:RF Points**.

When prompted, close the tamper switch to ID the RF device

RF-Contact/Sensor



Useful Tips

To put an RF-Sensor/Contact onto the system, go to **Devices Menu** then **RF Devs Menu** and finally either **Add&Id:RF Zones** or **Add&Id:RF Points**.

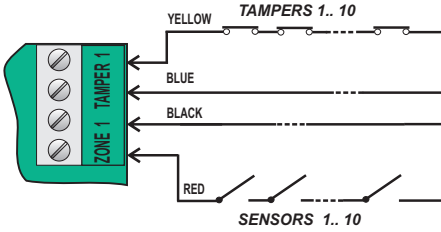
When prompted, close the tamper switch to ID the RF device

Notes:

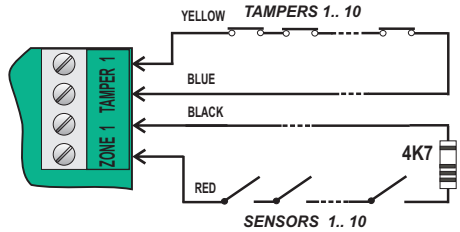
- ⚠ For best RF performance keep wiring away from antenna.
- ⚠ Only use 1 magnet per device.
- ⚠ Reed switches are active by default. To deactivate go to RF Device Options menu

Zone Wiring

STANDARD WIRING

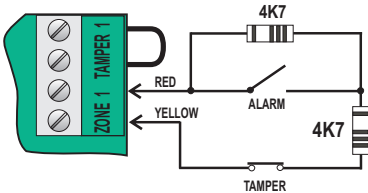


SINGLE END OF LINE WIRING

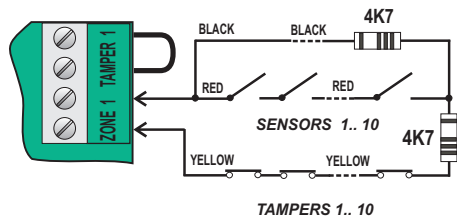


DUAL END OF LINE WIRING

Single Detector e.g. PIR with only 4-core cable



Multiple Detectors e.g. Inertia Sensors



Note: Requires only 2 wires (+ 2 power for PIR)

Note: Additional return wire required

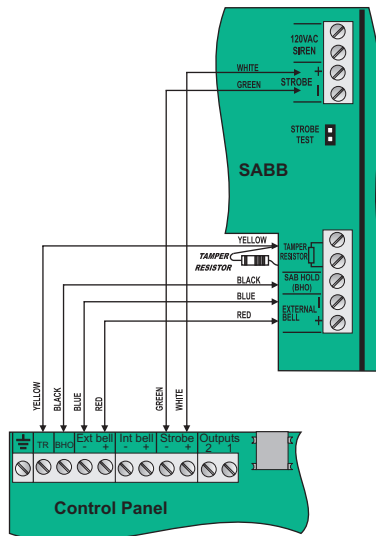
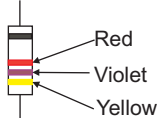
Useful Tips

All zones can analyse inertia sensors.
Zone wiring option configured in "Zone Hardware" in the "Zone Menu".

Zone hardware configurable per zone.
All options apply to 10 zone expander card.

SecureWatch Control Panel/SABB Connections

Tamper Resistor is 4K7.



NOTE: In order to conform with EN 50131 please ensure that the tamper resistor is located in the SABB housing.

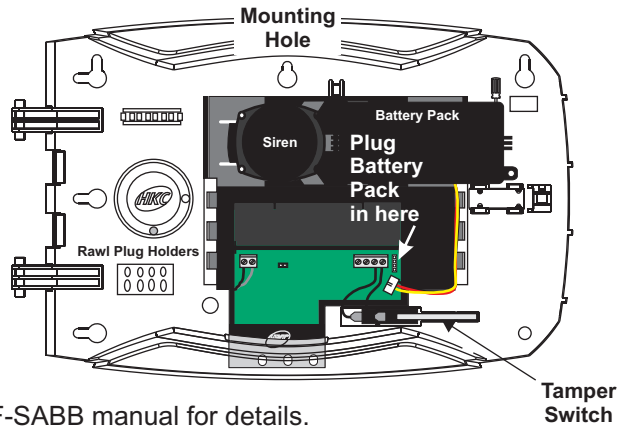
RF-SABB

Useful Tip

To put an RF-SABB onto the system, go to **Devices Menu** then **RF Devs Menu** and finally **Add&Id:RF SABB**

When prompted, close the tamper switch to ID the RF device

If you Add & Id the unit beside the panel and then walk away with it while observing the status LED, you can easily judge its range before mounting it. See RF-SABB manual for details.

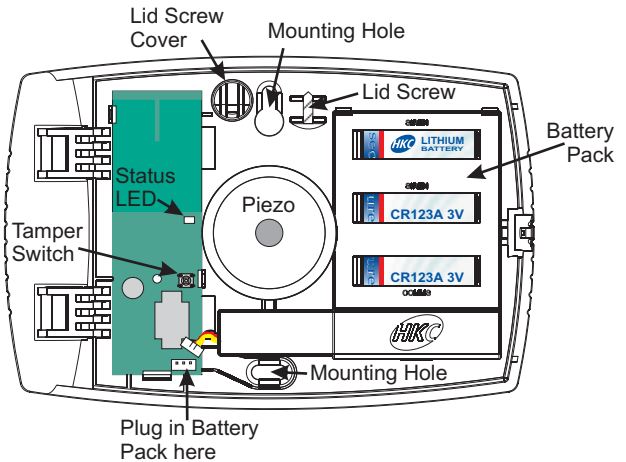


RF-Echo

Useful Tip

To put an RF-Echo onto the system, go to **Devices Menu** then **RF Devs Menu** and finally **Add&Id:RF Echo**

When prompted, close the tamper switch to ID the device



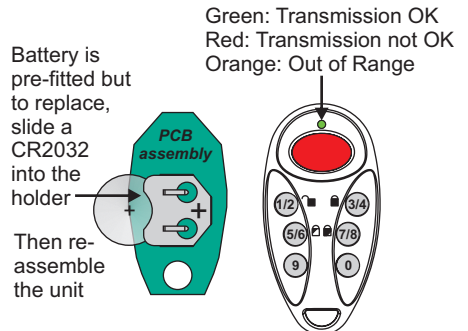
RF-Keyfob

Useful Tip

To put an RF-Keyfob onto the system, go to **Devices Menu** then **RF Devs Menu** and scroll to **Add&Id:RF Keyfob**. The system will start searching for devices (but only if you power them up by pressing any of their buttons).

Note: This action doesn't ID them into the system. When the number of "found" devices stops flashing only then can you ID them.

To ID, press any of their buttons. At this stage you can associate a key-fob with a particular end user i.e. **U01 Keyfob 1** etc.

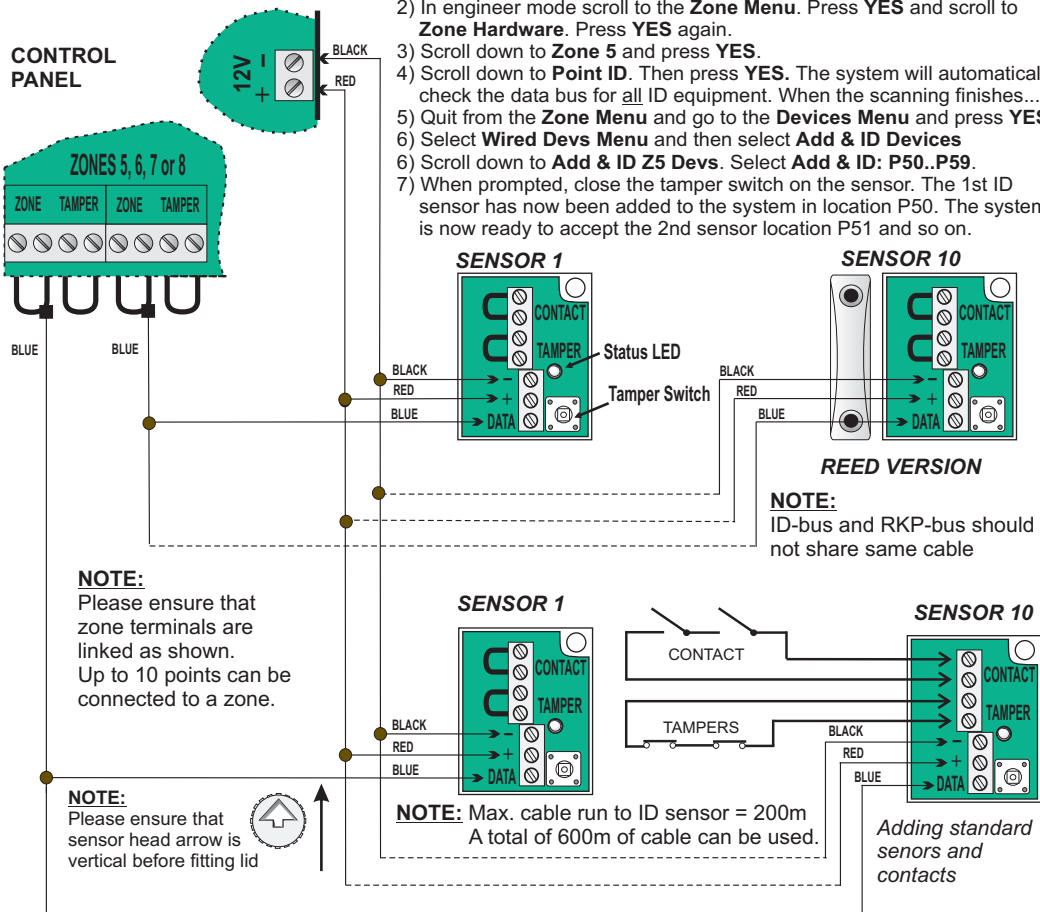


Note: See User Manual for operating instructions

SecureWatch ID Sensor

To install an ID sensor in, for instance, location P50

- 1) Wire-up the ID sensor on zone 5 (see wiring example below)
Tip: leave the cover of the sensor open for now.
- 2) In engineer mode scroll to the **Zone Menu**. Press **YES** and scroll to **Zone Hardware**. Press **YES** again.
- 3) Scroll down to **Zone 5** and press **YES**.
- 4) Scroll down to **Point ID**. Then press **YES**. The system will automatically check the data bus for all ID equipment. When the scanning finishes....
- 5) Quit from the **Zone Menu** and go to the **Devices Menu** and press **YES**
- 6) Select **Wired Devs Menu** and then select **Add & ID Devices**
- 6) Scroll down to **Add & ID Z5 Devs**. Select **Add & ID: P50..P59**.
- 7) When prompted, close the tamper switch on the sensor. The 1st ID sensor has now been added to the system in location P50. The system is now ready to accept the 2nd sensor location P51 and so on.



Overview

The SecureWatch ID sensor consists of HKC's SlimLine inertia sensor head and electronics that is used for monitoring the sensor and communicating with the control panel.

It is also possible to connect standard SlimLine sensors and contacts to the ID sensor as indicated above. These devices will be in series with the on-board ID inertia sensor. The tampers to these devices will be in series with the ID sensor tamper switch.

The Status LED on an ID sensor will only be illuminated during engineer mode. The following status will be indicated...

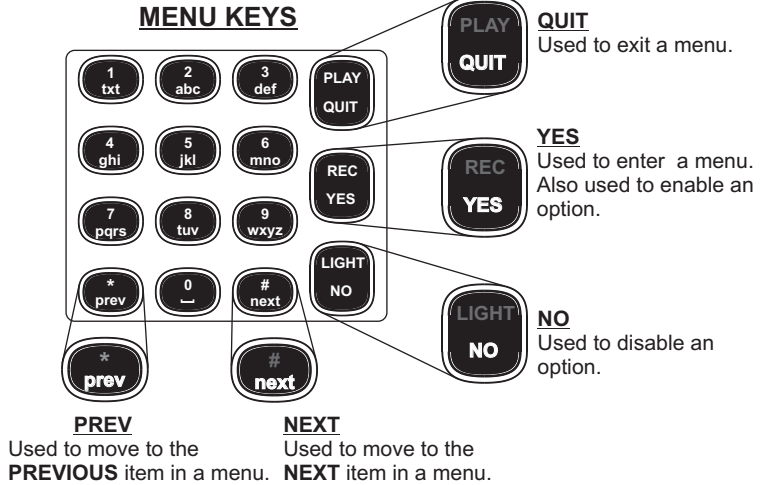
No comms to sensor but power is ok	- LED ON Steady
Not Identified	- LED ON for 4 seconds / OFF for half a second
Sensor Identified	- LED OFF for 4 seconds / ON for half a second
Sensor located	- LED turns ON and OFF every second

3. Menu Navigation - Using Menu Keys

As the name suggests this section will illustrate how to move around the menu structure in the SecureWatch control panel. There are five menu keys used for menu navigation. The following diagram describes their functions...

When typing in zone descriptions etc. the cursor will move on to the next letter after a short period; just like mobile phone texting.

CHARACTER SET	
1	1 \$ _ ! % & * ()
2	2 abcABC2+=
3	3 defDEF3;?
4	4 ghiGHI4<>
5	5 jklIJKL5`/
6	6 mnoMNO6=-
7	7 pqrPQRS7
8	8 tuvTUV8+=
9	9 wxyzWXYZ9
0	0 space.,':-0@/#



Here are some common abbreviations you will encounter...

Auth.	Authorized e.g. <i>Engineer code is Authorized</i>
Aux.	Auxiliary e.g. <i>Auxiliary Power Supply</i>
AVI	Audio Visual Indicator
Bat. or Batt	Battery
Blk	Block
C'bakErr	Call Back Error
ComFlt	Communication Fault
Dev	Device e.g. <i>Detector, Keypad etc.</i>
D'tone	Dial Tone
DTV	Dialer (with Text & Voice)
Eng.	Engineer
Ext.	External e.g. <i>External Siren</i>
Flt	Fault
FTC	Failed To Communicate
Hshake	Handshake
Int.	Internal e.g. <i>Internal Siren</i>
LnFlt-OH	Line Fault when Off-Hook
OC51.55	Output Card 51 to 55
Opts	Options
P50..59	Point 50 to 59
Pguard	Part-Guard e.g. <i>Partially Armed</i>
PS51.55	Power Supply 51 to 55
Rem Usr	Remote User
RF	Radio Frequency
Rkp	Remote Keypad
Super. OK	Supervisory Signal Okay
U/D	Strt Upload/Download Session, Start
Unex.	Unexpected e.g. <i>Unexpected Arm or Unset</i>

4. Menu Items Explained- Ref. Centre Pages

SERVICE MENU

11 SYSTEM OVERVIEW

Gives a quick overview of how the system has been configured i.e. what devices are identified, zone information, what fault buzzers are enabled etc.

12 LOG MENU

- 121 View Log
- 122 Clear Log

Used to view the engineer log and/or clear the engineer log. The log cannot be cleared when the panel is configured to work to the EN 50131 standard.

NOTE: while viewing the engineer log the **7** and **9** keys can be used to view the previous or next alarm event in the log. This allows you to quickly skip past Unset and Arming events.

13 ENG. TOOLS MENU

- 131 RF Device Status
- 132 Open Inputs Menu
- 133 Walk Test Menu
- 134 Show System Faults
- 135 Test O/P's & Channels
- 136 Test RF Devices
- 137 View Software Versions
- 138 Battery Menu

Engineer Tools Menu has 7 sections and is used to carry out basic system checks

RF Device Status informs the installer about whether various wireless devices are ID'ed, on-line, the condition of their signal strengths etc.

Open Inputs Menu is used to view open zones, points or tampers

NOTE: Tampers on zones configured as Dual EOL will be shown in the **Show Open Tampers** menu.

Walk Test Menu allows the engineer to test the actual detection devices. The internal sounder sounds for ½ sec. in the event of an inertia pulse, twice for a pulse alarm and for 1 sec. for a gross alarm, zone open or tamper alarm. This feature also applies to points.

Show System Faults is a quick way for the installer to get an overview of various fault conditions (like open tampers, power outages etc.) that could affect the system's performance.

Test Op+Chn Menu has 4 sub-menus. **Test Outputs** is used to toggle the outputs on the panel, expanders, output cards & power supplies. **Test DTV Chns** triggers FastFormat channels on the plug-on dialler. **Test Extend Rpts** triggers Contact ID, SIA & Extended SIA reports on the plug-on dialler. **Test Dialer Chns** triggers FastFormat channels on the 4/8 Channel dialler. Outputs & channels will be returned to their original state on exit from this menu.

Test RF Devices allows you to activate the sounders in your RF-SABB, RF-Echo & RF-Smoke devices

View Software Versions is a feature to check the software revisions in use on various devices connected to the system.

NOTE: The software versions on remote devices can only be read once they have been identified (Id'ed).

SERVICE MENU contd

13 ENG. TOOLS MENU

138 Battery Menu

The **Battery Menu** has 2 sections. The first, **Batt Current Mon** is used to monitor how much current is either going into or coming from the battery. A positive current means the battery is charging while a negative current means it is discharging.

The second, **Battery Load Test** is used to determine the total system current. During the test the charge/discharge currents will be on the display. Also during the test the system is powered by the battery (and not the mains power supply). This feature lets you know if you are too close to the limits of the mains power supply. The engineer will be prompted to press **YES** to source all the system current from the battery and **NO** to go back to the mains power supply.

14 ENG. ARM/DISARM

141 Unset ?

142 Full Arm ?

143 Quick Arm ?

144 Part Arm A ?

145 Part Arm B ?

Used to arm the panel from within engineer mode. Once an item is selected the panel will automatically exit the engineer mode and start arming the panel. Once armed in this fashion the panel can then be disarmed once by the engineer code. This enables full testing of the system by an Engineer without having to know somebody's User code.

15 DEFAULT MENU

151 Defit All?

152 Defit Panel?

153 Init User Codes?

154 Defit DTV?

155 Defit RKP Bus?

156 Defit RF System?

Used to default the panel and other devices back to their factory settings. There are five default options to choose from so that different areas of the system can be defaulted without affecting other areas.

Defit all? defaults all devices on the system. Then there is **Defit Panel?** which as the name suggests defaults the main control panel, **Init User Codes?** defaults the User and Engineer codes (but not their names, options etc.) **Defit DTV?** defaults the dialler, **Defit RKP Bus?** defaults keypads and expander and finally **Defit RF System?** defaults wireless devices.

Note: please refer to the back of this manual for details of panel default settings.

DEVICES MENU

21 WIRED DEVS MENU

211 Add & ID Devices

212 Locate Devices

213 Remove Devices

214 RKP Config. Menu

215 Expander Options Menu

216 Remote Names

217 Output Card Options

The **Devices Menu** has 2 main sections. One for wired devices and the other for wireless (RF) devices. Both have a similar structure i.e. **Add & ID Devices** is used to add devices (like keypads, expanders, points & power supplies) to the wired system. **Add & ID RF Devices** is used to add devices (like RF detectors, RF sounders, RF keypads etc.) to the wireless system.

22 RF DEVS MENU

221 Add & ID RF Devices

222 Locate RF Devices

223 Remove RF Devices

224 RF Devices Options

225 RF System Options

Locate Devices / Locate RF Devices, this menu is used to locate a device that has been assigned an ID. A device can be located by selecting it in this menu and noting its LED pattern.

Remove Devices / Remove RF Devices, this menu is used to remove a device from the system. Only a device that has been ID'ed can be removed from the system.

DEVICES MENU contd.

21 WIRED DEVS MENU

- 214 RKP Config. Menu
- 215 Expander Options Menu
- 216 Remote Names
- 217 Output Card Options

RKP Configuration Menu has 6 sections. The first, **RKP Options Menu** is used to select options for keypads. Options include whether the buzzer is enabled, whether audio arm/disarm messages are played and also whether the status LED's are enabled. The second, **RKP Block Assign**, is used to associate specific keypads with a block of zones.

NOTE: A "block" is a semi-autonomous section within the overall system and is made up of zones/points, users, keypads and outputs.

The next 4 are, **Rkp LCD Contrast**, **Rkp Buzzer Volume**, **Rkp Audio Volume & Rkp Brightness**

Expander Options Menu is used to enable/disable the expander tamper switch

Remote Names menu is used to type-in meaningful names associated with the devices. "Under Stairs", "In Garage" etc.

Output Card Options is used to enable/disable the output card tamper switch

22 RF DEVS MENU

- 224 RF Devices Options
- 225 RF System Options

RF Devices Options is where you can configure the behavior of individual wireless devices as follows:

- Depending on your device, you can adjust the RF-PIR sensitivity in "**Settings**" to Low, Med or Hi or turn ON/OFF the RF-Contact/Sensor **Reed** switch (MC). Go to either **RF Zone Opts** or **RF Point Opts** for these features.
- You can turn ON the "Unset via User-code" feature on the key-fob; go to **RF Keyfob Opts** and set **CodeUnset** to YES. Also, if **DuresBell** is set to YES the sirens will activate when the key-fob's Duress button is pressed. **DuresDly** adjusts the sensitivity of this button. **ArmSquawk** briefly activates the internal siren & strobe when you arm with a key-fob.
- You can adjust the RF-Echo volume (**SirenVol**) to Low, Med or Hi in **RF Echo Opts**
- You can turn ON the RF-SABB's status LED's by setting **StatLeds** to YES in **RF SABB Opts**



Note: Most devices also have the option to turn off their supervisory monitor (**Mon Sup**). Treat this feature with caution; we advise they are left at "YES".

In **RF System Options** you can globally adjust the time (in secs) that the system talks to devices (**RF Poll Time**) and whether there are supervisory reports (**Sup. Reports**) or not.



Note: Contact Tech. Support if adjusting supervisory signal, polling, jam detect

You can deactivate the RF-Echo during Walk Test by setting **WalkTst Bells** to NO.

ZONE MENU

31 ZONE NAMES

In this menu you can type-in a zone description in **Zone Name Text** or select an audible description from a library of phrases or words in **Zone Audio** (note: you can have 3 words per zone). Zone names are useful for giving additional information in the event of an alarm activation.

- 32 ZONE TYPES** Zone types are selectable per zone. They control the actions taken by the panel when a zone opens e.g. a zone programmed for E/E behaves as an entry/ exit zone. Refer to pull-out and appendix for available zone types.
- 33 ZONE OPTIONS** Zone options enable further control of a zone programmed with a particular type.
For instance, a zone programmed with the type **Alarm** can have the **Excl PGA** option enabled. *This will exclude the zone from the system when part armed A has been selected. This is effectively an automatic inhibit.* Refer to pull-out for available zone options.
- 34 ZONE GROSS&PULS** This menu is used to program (for each zone) gross and pulse settings for inertia sensors. Only zones of the types **Alarm** and **E/E** can be programmed with gross and pulse settings.
To disable either a pulse count or a gross level on a zone set it to 0. Otherwise 1 is the most sensitive setting and 9 is the least sensitive setting for both.
- 35 ZONE HARDWARE** Used to select the hardware that is to be used for a zone.
Each zone can be programmed to have non end of line, single end of line or dual end of line hardware. This enables greater flexibility in zone wiring as each zone has its own hardware option.
Zones 5 to 8 have the additional Point ID hardware option which enables Id sensors, power supplies & output cards to be connected to them.
- Note:** When wiring a device through some spare wires of a bus cable (e.g. a PA button through RKP cable) it is best to select non-EOL as the first option (rather than single EOL) because it has better noise immunity thresholds.
- 36 ZONE BLOCK ASSIGN** This is used to associate specific zones to specific blocks. A “block” is a semi-autonomous group of zones within the overall system. The Common Area (i.e. Block 0) contains all the zones not assigned to blocks. The Common Area automatically arms when all the blocks are armed and is disarmed when the first block is disarmed.
- 37 TECH ZONE OPTS** If “Never Log” is selected then no technical zone activations are entered into the engineer log. The “Only Log Set” allows technical zone activations to be logged when the system is armed and not logged when the system is unset. Enabling “Show Open B4 Set” allows the user to see, on the keypad display, which technical zones are open while arming the system. Enabling “Inhibit Reqd” then requires them to inhibit any open technical zones before the system will set.
- 371 Never Log
 - 372 Only Log at Set
 - 373 ShowOpenB4Set
 - 374 Inhibit Reqd

ZONE MENU contd.

38 ZONE PSU ASSIGN This is where zones powered from a particular remote power supply can be assigned to it. This can be useful when servicing the system and the engineer needs to know which power supply is powering which zones.

39 ZONE MAP MENU **Mapped Outputs** is where outputs can directly follow the state of their assigned to zones i.e. they switch on/off when their zones open/close. The **Mapped Output Options** section makes these outputs behave in a certain way i.e. when “latched” they stay triggered until the next **Unset**. Alternatively, they can be programmed to “pulse” for a short period in line with their “output trip time”.

POINT MENU

41 POINT NAMES

42 POINT TYPES

43 POINT OPTIONS

44 POINT GROSS&PULS

45 POINT HARDWARE

46 POINT BLOCK ASSIGN

47 POINT PSU ASSIGN

48 POINT MAP MENU

These menus are used to configure Id sensors, power supplies or output cards connected to zone 5 (P50..59 / PS51..55 / OC51..55), zone 6 (P60..69 / PS61..65 / OC61..65), zone 7 (P70..79 / PS71..75 / OC71..75) & zone 8 (P80..P89 / PS81..85 / OC81..85).

Each point can be considered to have the same power as a zone. In general, anything that can be selected for a zone can be selected for a point. For further details on these menus please refer to the **Zone Menu** in the preceding section.

USER MENU

51 USER CODES

This menu is used to program user codes for users 1 to 64. Each code is required to be 4-6 digits in length. The digit 0 is not allowed and codes cannot end with the number 9 as this would conflict with the duress facility.

New codes must be verified in order to be accepted.

52 USER NAMES

User names enable more detailed information to be displayed in the system log and are also used in the user menus.

53 USER OPTIONS

Each user can be assigned a number of options. These are explained in detail in the Appendix.

54 ENGINEER CODE

This menu is used to program the engineer code for the system. The code is required to be 4-6 digits in length and must not contain 0. The engineer code can end with the digit 9.

55 USER BLK ASSIGN

This is used to associate specific user codes to specific blocks.

56 USER PROX ASSIGN

This is used to associate specific users to specific proximity tags (see Quick Start Guide).

TIMERS MENU

61 SET DATE & TIME

Used to set the system date and time. The date follows the following format dd/mm/yy i.e. Day/ month /year and the time is in 24Hr format as follows hh:mm i.e. Hours : minutes.

TIMERS MENU contd.

62 SYSTEM TIMERS

621 Internal Bell	(Mins)
622 External Bell	(Mins)
623 Entry Time	(Secs)
624 Exit Time	(Secs)
625 Split Entry	(Secs)
626 Soak Period	(Days)
627 Bell Delay	(Mins)
628 Dbl.Nok Reset	(Mins)
629 Dbl.Nok Open	(Secs)

This menu is used to program timers in the control panel. To edit a time select it using the **PREV** or **NEXT** keys then press **YES**. Enter the new time to be used. The new time will then be programmed.

Note1: "Dbl. Nok" is shorthand for Double Knock

Note2: Exit Time can be set to 0. This is infinity when the system arms via an "Exit Terminate" zone

63 MISC. TIMERS

631 Wks 2 Service	(Weeks)
632 Fire Exit Delay	(Mins)
633 Mains Flt Dly	(Mins)

Wks 2 Service menu is used to program the number of weeks between system services. When the service period expires, **Service Due ... Contact Engineer** will be displayed, as a prompt to the user, everytime the system is unset. Note that programming "00" disables this feature.

Fire Exit Dly; you can delay the effects of opening a fire exit door by selecting a delay period here (in minutes).

Mains Flt Dly; During a power blackout, a mains fault will only be reported to a Central Station if it exceeds the mains fault delay period that is programmed.

64 BLOCK TIMERS

This is where you can adjust the Entry Time, Exit Time, Internal and External Siren Times for each block.

65 EVENT TIMERS

Seven timers (T1 to T7) can be specially programmed to respond to or to control certain events like whether a night watchman is on duty or allowing a cleaner access at certain hours etc. These events are explained in detail in appendix A.

66 SMART LIGHTS

Eight timers (L01 to L08) can be programmed to control dedicated light outputs. The lights can be set to be triggered either by a zone opening, by a user code or by both. The **Interval** (in minutes) indicates the amount of time the light will remain illuminated.

67 SMART DOORS

Four timers (D01 to D04) can be programmed to control dedicated door outputs for electric door locks and relays etc. The doors can be set to be triggered either by a zone opening, by a user code or by both. The **Interval** (in seconds) indicates the amount of time the door output will remain energised after it has been activated.

OUTPUTS MENU

71 PANEL OUTPUTS

72 PSU OUTPUTS

73 O/P CARD OUTPUTS

74 OUTPUT GROUPS

Panel Outputs is used to select the output type you want for outputs 1 to 18 (7 to 18 are on the expanders). See appendix and pullout section for the full range of output types. Please note that each power supply has 2 outputs (**PSU Outputs**) and each Output Card has 8 outputs (**O/P Card Outputs**).

The menu follows the format of **O#/Type/Polarity** where # indicates the output number to be programmed, Type is the output type and Polarity is optionally negative or positive.

OUTPUTS MENU contd.

74 OUTPUT GROUPS **Output Groups** menu follows the format of **G01 #1 Panel 01** where **G01** indicates the group's number. Note; there are up to 32 groups. Also note; there can be 4 outputs per group (**#1 to #4**) and finally **Panel 01** specifies the actual output in question. Output Groups are activated by triggering their associated zone or point inputs. See **Zone Map Menu** or **Point Map Menu**.

SYSTEM OPTS MENU

81 ARMING OPTS

- 811 Final Door
- 812 Exit Flt Bell
- 813 Line Flt Bell
- 814 Inhib Tamper
- 815 Forced Arm
- 816 Dpy Armed
- 817 Ext. Blk Exit
- 818 Rearm Always
- 819 Rearm Count

Used to select options for arming the panel.

Final Door when selected will terminate the exit buzzer 6 seconds after all exit routes and access routes have closed

Exit Flt Bell when enabled will trip the internal bell output in the event of an exit fault e.g. if an E/E zone is still open at the end of exit time.

Line Flt Bell when enabled will trip the internal bell output in the event of a line fault (when the system is unset)

Inhib Tamper when enabled allows the user to inhibit tampers.

Forced Arm, when enabled, allows the user to inhibit all open inputs using ** and all open tampers (if **Inhib Tamper** is enabled) using ##.

Dpy Armed when enabled will display **System Armed** when the panel is armed otherwise only date and time will be displayed.

Ext. Blk Exit; normally the Common Area (i.e. Block 0) immediately arms when all the other blocks are armed i.e. arms simultaneously with the last block. With **Ext. Blk Exit** set to YES the system exit time is added to the final block's exit time giving the user more time to vacate.

If **Rearm Always** is enabled then the panel will always rearm after an alarm activation when the panel is armed i.e. the sounders will re-trigger each time a new activation occurs.

Rearm Count is the number of times the panel will rearm if

Rearm Always is not enabled. Note: the sounders will re-trigger as many times as the rearm count is set for

82 UNSET OPTS

- 821 User Wlk Test
- 822 FireO/P Enabl
- 823 Ext.Blk Entry
- 824 FireExitBells
- 825 FireExReqCode
- 826 Tamper Rearm

Used to select options for the panel when it is unset.

User Wlk Test when enabled allows the user to perform a walk test of the system using 0#3 or through the **User Menu** (please refer to appendix).

FireO/P Enabl when programmed to NO prevents a fire signal being sent to the monitoring station when the system is unset. When armed it does send a signal.

SYSTEM OPTS MENU- contd.

82 UNSET OPTS

- 823 Ext.Blk Entry
- 824 FireExitBells
- 825 FireExReqCode
- 826 Tamper Rearm

Ext.Blk Entry (extended block entry time), when enabled this option adds the entry time of the first block to be unset to the common entry time.

FireExitBells (fire exit bells), when enabled this option will activate the internal bell when a fire exit input is activated.

FireExReqCode (fire exit requires code), when enabled this option will prompt the user to input their code when a fire exit input is activated.

When **Tamper Rearm** is enabled the panel will always rearm after a tamper activation

83 QUICK KEY MENU

- 8311 0#1 - User Log
- 8312 0#3 - Walk Test
- 8313 0#4 - Full Arm
- 8314 0#5 - Quick Arm
- 8315 0#6 - Tog Chime
- 8316 0#7 - PGuard A
- 8317 0#8 - PGuard B
- 8318 0#9 - Bell Test
- 8321 0*1 - Sms Engs.
- 8322 0*2 - Sms Log
- 8323 0*3 - Call PC
- 8324 0*4 - PC Direct
- 8325 0*5 - UserChk
- 8326 0*6 - TmpUser
- 8327 0*7 - HomeAlone

Used to select which quick codes are enabled.

Each Quick Code can be individually enabled or disabled. The User can still access these functions if he/she has been assigned the **User Menu** option. Please refer to appendix for a description of Quick Keys.

84 RKP PA OPTS MENU

- 841 Rkp * & # PA
- 842 RkpPA Silent
- 843 Silent PA LF

Used to select options for panic at an RKP i.e pressing * & #.

The **Rkp * & # PA** option, when enabled, activates a panic alarm when the "*" and "#" keys are pressed simultaneously. This applies to any keypad in the system.

When the **RkpPA Silent** option is selected a panic alarm from an RKP will be silent i.e. The panic output will trip but there will be no internal bells.

In the event that the **RkpPA Silent** is enabled, the option **Silent PA LF** can override **Rkp PA Silent** and sound bells if a line fault has been detected and an Rkp panic alarm occurs.

85 PGUARD OPTS

- 851 PGA Exit Time
- 852 PGB Exit Time
- 853 Access To EE
- 854 PG Digi Alarm
- 855 Indicate PG
- 856 PGA Exit Buzz
- 857 PGB Exit Buzz

Used to select options for the panel when it is in partguard.

When **PGA Exit Time** is enabled you will have an exit timer when setting the system into partguard A (0#7).

When **PGB Exit Time** is enabled you will have an exit timer when setting the system into partguard B (0#8).

When **Access to EE** is enabled this option will change **Alarm** zones (with the **Access** option enabled) to **Entry/Exit** zones during partguard mode.

85 PGUARD OPTS

- 854 PG Digi Alarm
- 855 Indicate PG
- 856 PGA Exit Buzz
- 857 PGB Exit Buzz

When **PG Digi Alarm** is enabled, alarm events in system partguard will trigger an alarm report to the monitoring station and if it is disabled it will not.

Note: alarm reports will be sent to the monitoring station when the system is fully armed even if **PG Digi Alarm** is disabled.

When **Indicate PG** is enabled the keypad's red LED will flash to indicate that the system is in Part-set

When **PGA Exit Buzz** and **PGB Exit Buzz** are enabled the keypad buzzer will activate during the partguard exit times, when disabled the buzzer will only briefly buzz at the start of the exit time.

86 MISC. OPTS MENU

- 861 Timed Soak
- 862 Eng. Lock
- 863 Duress Codes
- 864 Walk Tst Bell
- 865 Sys Dbl Knock
- 866 Latch Chime
- 867 Int Bell Chime
- 868 Auto Hr Change
- 869 Wrk 2 EN50131
- 860 Silent Fire

Used to select miscellaneous system options.

When **Timed Soak** is enabled all zones and points with the Soak option enabled will remain in soak until the **Soak Period** (refer to **Timers Menu**) has expired i.e. reached 0.

When **Eng. Lock** is enabled the panel can only be returned to default settings through the **Service Menu (Default Panel)**. Powering down the panel and pulling the factory settings link before powering up will not default the panel back to factory settings.

When **Duress Codes** is enabled valid user codes + 1 will generate a duress alarm e.g. If User 1 has code 06788 and enters code 06789 then a duress alarm will be generated i.e. a silent PA

Walk Tst Bell when enabled will sound the internal bells as well as keypad buzzers during walk test in the **Service Menu**. If disabled then only the Rkp buzzers will sound for activations in engineer walk test.

When **Sys Dbl Knock** is enabled any two zones with the **Dbl Knock** option enabled activating within the double knock reset period will generate an alarm event.

When **Latch Chime** is enabled the chime mode is not cleared when the panel is armed. If disabled then the Chime mode is always turned off when the panel is armed.

If **Int Bell Chime** is enabled then the internal bell will also sound in the event of a system chime i.e. a zone with chime option opening when the panel is unset.

When **Auto Hr Change** is enabled the time in the panel will advance by 1 hour for Summertime and retard by one hour for Wintertime.

86 MISC. OPTS MENU

869 Wrk 2 EN50131
860 Silent Fire

When **Wrk 2 EN50131** is enabled, the system will invoke EN50131 features that are not normally programmable e.g. entering the engineer code with user code authorisation.

When **Silent Fire** is enabled the internal and external bells do not activate. However, a fire message is still displayed on the keypad and a message sent to the monitoring station.

87 BUZZER OPTS MENU

871 MainsFlt Buz
872 Line Flt Buz
873 FTC Buzzer

Used to select buzzer options for panel events.

When **MainFlt Buz** is enabled the Rkp buzzers will sound every 4 seconds (in addition to a visual indication) during a power cut and if the panel is unset. If this option is disabled then there will only be a visual indication.

When **Line Flt Buz** is enabled then the Rkp buzzers will sound once every 4 seconds indicating a line fault condition similar to the **Mains Flt Buz** option.

When **FTC Buzzer** is enabled the Rkp buzzers will sound every 4 seconds (and have a visual indication) in the event of the dialler failing to communicate after 3 attempts.

Note: that "FTC" is shorthand for Failed to Communicate

88 EDIT MISC. TEXT

881 Edit Inst. Name
882 Edit Block Names
883 Edit PGuardA Txt
884 Edit PGuardB Txt
885 FireExitMsg
886 Edit FireEx Type
887 Tech Type
888 Edit Site Name

Used to edit miscellaneous text descriptions.

Edit Inst. Name is used to edit installer's name. The installer's name is displayed when the panel is unset along with any other status messages; not allowed in EN mode.

Edit Block Names is used to program a more meaningful descriptions for the blocks.

Edit PGuardA Txt & Edit PGuardB Txt are used to edit text that will be displayed when panel is in partguard A or B. They are also displayed in the log.

Edit FireExitMsg is used to change the message that is displayed when a fire exit is open (normally "FIRE EXIT OPEN" is displayed)

Edit FireEx Type is used to change what is displayed in the log when a Fire Exit is activated (normally "FireEx" is displayed)

Edit Tech Type is used to change what is displayed in the log when a Technical Zone is activated (normally "Tech" is displayed)

Edit Site Name is used to edit the installation's identification or address. The site name is sent at the start of the SMS text messages. If using the SMS text feature then the site name must be programmed. Also, this name appears at the top of a printout when using a serial printer.

SYSTEM OPTS MENU contd.

89 BS8243 MENU

891 Police Options
892 Technistore Options

The **Confirm Time** timer is for sequential alarms. It is used as a window to handle pre-alarms and confirmed alarms under the following conditions...

- Two separate detectors activating within the confirmed alarm time window will generate a confirmed alarm.
- If the second detector activates after confirmation timer has expired, pre-alarm output re-triggers but no confirmed alarm is generated.

The Confirm Time is set to 30mins by default. This timer becomes active when the **Police Response** option is enabled (as is the Technistore reset function).

The **Technistore** option generates a random "quote code" in the event of an engineer reset condition. The keypad displays "Call Alarm Centre" and indicates the quote code. The user then contacts the central station and tells them this code. In turn the central station gives the user a reset code which is then used to perform the engineer reset.

COMMS MENU

91 DMV MODEM MENU

See page 23.

92 S/PORT EQUIP MENU

Serial Port Equipment Menu; please refer to relevant equipment manual (e.g. GSM unit).

93 REMOTE USER MENU

931 Rem. User Codes
932 Rem. User Names
933 Rem. User Opts
934 Rem. User Phns

The **Rem. User Codes** (remote user codes) menu is used to program remote user codes for remote users 1 to 7. Remote users can access their system with **SmartLink 7** at an off-site or remote location. Each remote user code is required to be 4-6 digits in length. The digit 0 is not allowed. New codes must be verified in order to be accepted.

Rem. User Names (remote user name). User names enable more detailed information to be displayed in the system log.

Rem. User Opts (remote user options); each remote user can be assigned a number of options. These are explained in detail in the appendix.

Rem. User Phns (remote user phone); each remote user can have their phone number programmed into the system. This facilitates, for instance, the call back feature.

94 COMMS OPTS MENU

94X1 RemoteAccess
94X2 SecureAccess
94X3 Local Access
94X4 Printer Port

When you enter the **Comms Opts Menu** you can configure either Serial Port 1 or 2 (**SP1** or **SP2**).

The following is then available:

RemoteAccess, when enabled, allows for the system to be accessed, monitored and programmed, via the digi-modem (DTV), from a PC running **SmartLink 7** at an off-site location.

COMMS MENU contd.

94 COMMS OPTS MENU

- 94X2 SecureAccess
- 94X3 Local Access
- 94X4 Printer Port

If **SecureAccess**, is enabled, then the remote access data (e.g. user codes, engineer codes etc.) are encrypted.

Local Access, when enabled, allows for the system to be accessed, monitored and programmed, via a cable coming from either J3 or J4 connectors on the control panel to a serial port of a PC running **SmartLink 7**

Printer Port, when enabled, allows the control panel to print out information (e.g. system configuration, engineer log etc.) to a serial printer that is connected to either J3 or J4.

95 PANEL PRINT MENU

- 951 Prn Engineer Log
- 952 Prn Sys Overview
- 953 Prn Panel Config
- 954 Prn DMV Config
- 955 Prn Mapping Info
- 956 Prn Test Page
- 957 Printer Options

With the **Prn Engineer Log** command, the contents of the Engineer Log can be printed out using a serial printer connected to J3 or J4 on the control panel.

With the **Prn Sys Overview** command, the System Overview can be printed out using a serial printer connected to J3 or J4 on the control panel. This can be quite a long printout.

With the **Prn Panel Config** command, the configuration of the panel only can be printed out using a serial printer connected to J3 or J4 on the control panel.

With the **Prn DMV Config** command, the configuration of Digi Modem/Voice Card only can be printed out using a serial printer connected to J3 or J4 on the control panel.

With the **Prn Mapping Info** command, the configuration of the mapped outputs can be printed out using a serial printer connected to J3 or J4 on the control panel.

The **Prn Test Page** command prints out a test page as an aid during system commissioning.

Printer Options; there are 2 options. One is **Real Time Log** which, if selected, prints out each item as it is logged to the Engineer Log. The other is **Use Form Feed**; the last page of a job is sometimes not visible because it is still physically within the printer. By selecting **Use Form Feed** the printer advances the paper to the top of the next page.

96 COMMS SERVICE

- 961 Call U/D PC ?
- 962 Monitor Comms ?
- 963 Reset Device ?
- 964 Port Settings ?

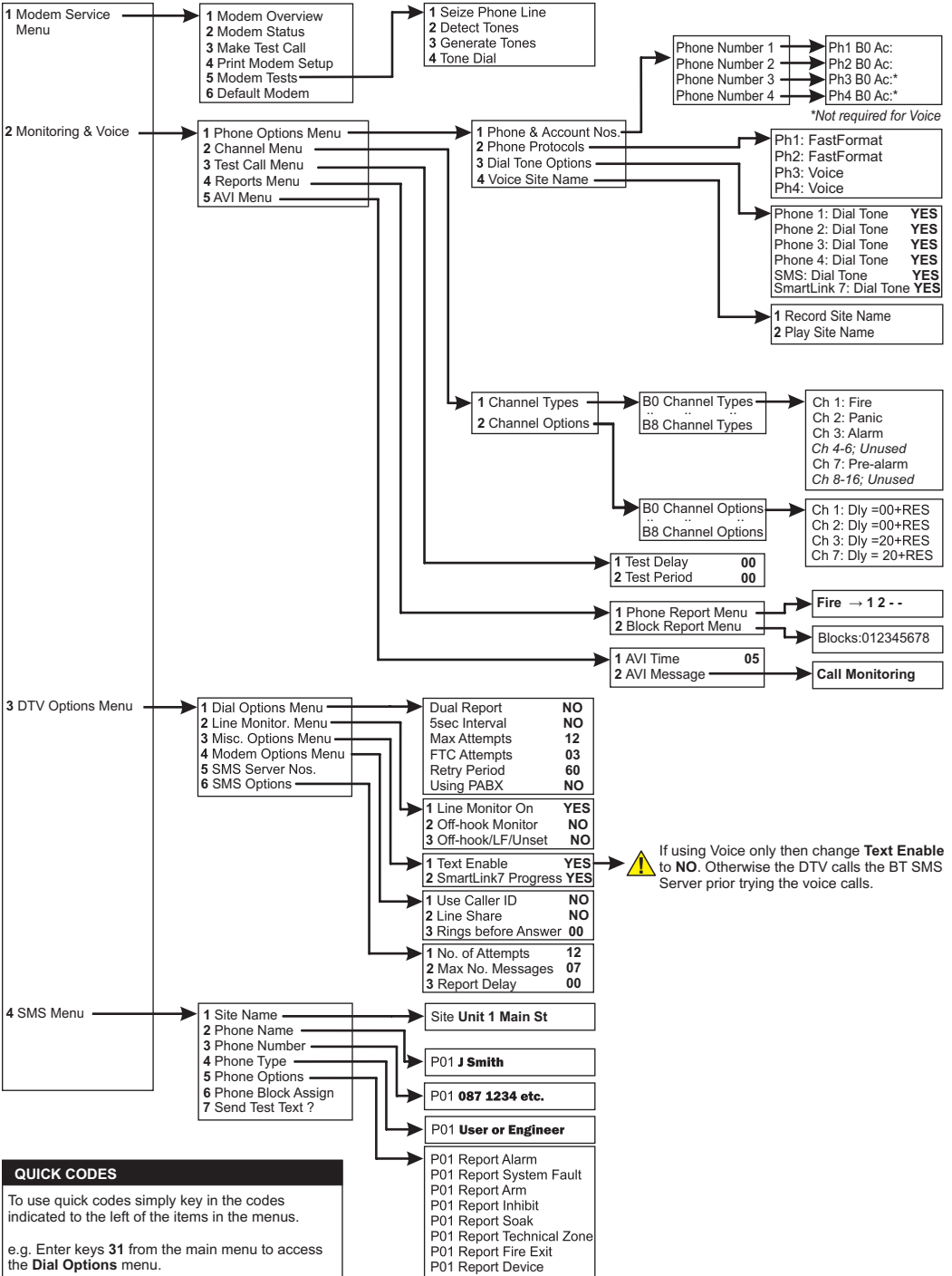
With the **Call U/D PC ?** command, the system is instructed to call an Upload / Download PC (i.e. **SmartLink 7**).

With the **Monitor Comms ?** command, the system checks for communications activity on SP1 and SP2.

Reset Device ? as the name suggests resets equipment attached to J3 or J4 on the control panel.

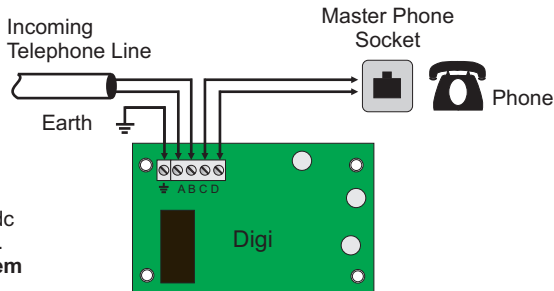
Port Settings gives you information about the panel's baud rate, parity, stop & data bits. Useful when connecting equipment to J3 or J4.

5 Digi with Text / Voice - Programming Menu



Wiring a Digi Text / Voice Card

Note: It is very important to connect the \perp terminal to earth. An earth connection is required in order to provide the best possible protection for the DTV from voltage surges on the phone lines



This digi modem is not a GSM dialler, connect to a PSTN line only

To test the phone line, measure the voltage across the **A & B** terminals. It should be 40-58Vdc. Go to **Comms Menu**, select **DTV Modem Menu**. Enter the **Mod Service Menu** and scroll to **Modem Tests**. Select **Seize Phn Line**. Measure the voltage across the A & B terminals. It should be 6-8Vdc.

Another method is to test for a dial tone: Again, go to **Comms Menu** and select **DTV Modem Menu**. Enter the **Mod Service Menu**, scroll to **Modem Tests** and select. Then scroll to **Detect Tones** and select.

Digi Text / Voice Card - Defaults

AVI Settings	
AVI Time	5 Seconds
AVI Message	CALL MONITORING.

Channel	Type	Trigger	Restore	Delay
1	Fire	Positive	Yes	0 secs.
2	Panic	Positive	Yes	0 secs.
3	Alarm	Positive	Yes	20 secs.
7	Pre-alarm	Positive	Yes	20 secs.

Options	
Dual Report	No
5 Second Interval	No
Max. Attempts	12
FTC Attempts	03
Retry Period	60m
Using PABX	No
SMS Attempts	12
Max SMS Messages	07
SMS Alarm Delay	00s
Voice Attempts	03
Max Voice Messages	02
Voice Message Delay	00s

NOTE: In *Phone Report Menu*, only Fire, Panic, Alarm, Pre-alarm, Test Call & Low Battery are defaulted to report to Central Station phones 1 & 2. All other events need to be assigned to phones by the installer.

Line Monitor Options	
Line Monitor On	Yes
Off-Hook Monitor On	No
Off-Hook/Line Fault (Unset)	No

Misc. Options	
Text Enable	Yes
SmartLink 7 Progress	Yes

Modem Options	
Use Caller ID	No
Line Share	No
Rings Before Answer	No

Phone	Monitoring/Voice Ph. Nos.	Account No.	Site Name	Protocol
1	Not Programmed	Not Programmed		FastFormat
2	Not Programmed	Not Programmed		FastFormat
3	Not Programmed		Not Recorded	Voice
4	Not Programmed		Not Recorded	Voice

Phone	Wait for Dial Tone
1 to 4	Yes
SMS	Yes
SmartLink 7	Yes

SMS Server Phone No's	
Server #1	17094009
Server #2	17094009

SMS Phone	Alarm	System	Arm	Soak	Fire Exit	Device
1 to 19	Yes	No	No	No	No	No

Test Call Settings	
Test Delay	0 Hours
Test Period	0 Hours

Digi Text / Voice Card - Status LED

Call Progress Status Indication LED

Wait for Dial Tone Red
 Sending Message/On-line Orange - turning off as packets are sent
 Successful Transmission Green for one second after transmission
 No KISSoff* Red for one second after transmission

* Applicable to Central Station transmission

Line Monitor Status Indication LED

Line OK One red flash
 Phone Off Hook Two red flashes
 Line Dead Three red flashes

Digi Text / Voice Card - Menu Items Explained

MODEM SERVICE MENU

11 MODEM OVERVIEW

Gives a quick overview of how the system has been configured and highlights if any option has been selected that might lead to confusion during system test i.e. How the channels are programmed, whether text is enabled etc.

12 MODEM STATUS

Gives a quick overview of real time conditions for instance whether the telephone line has a fault.

13 MAKE TEST CALL

Allows the installer to make a test call to one of their pre-programmed telephone numbers without necessarily having to create an event like an alarm.

14 PRINT MODEM SETUP

Allows all the device's configurations (e.g. phone numbers, account codes etc.) to be printed out using a serial printer connected to J3 or J4 on the control panel.

15 MODEM TESTS

- 151 Seize Phn Line
- 152 Detect Tones
- 153 Generate Tones
- 154 Tone Dial

These are various de-bug tools designed to help the installer with problematic phone lines i.e. checking for the presence of a dial tone, seizing the phone line to check the ABCD terminal voltages etc.

16 DEFAULT MODEM

Used to default the device back to factory settings. Please refer to page 24 for details of default settings.

MONITORING & VOICE

21 PHONE OPTIONS MENU

- 121 Phone & Account Nos.
- 122 Phone Protocols
- 123 Dial Tone Options
- 124 Voice Site Name

16 digits can be programmed for each phone number while 6 digits can be programmed for each account number. The **NO** key will clear numbers.

Depending on the equipment used by your Central Station company, you can select the appropriate format to communicate with it. Each central station phone number can be individually programmed with the *Fast Format*, *SIA*, *Extended SIA* or *Contact ID* protocols.

Alternatively, by selecting the *Voice* protocol, you can send voice messages to the key-holders' phones instead. In this instance you should go to **Rec. Site Name** in the **Voice Site Name** menu where you will be prompted to record the site's name instead. You can have 8 sec. of message.

Notes: It may take 2½ min. For the message to be saved. Also, there no need for an account number with voice protocol.

22 CHANNEL MENU

- 221 Channel Types
- 222 Channel Options

This is used to assign different events, like Fire, Alarm etc., to each of the 16 *Fast Format* channels used in the digi.

Each phone number can be enabled, by selecting **YES**, to wait for a dial tone before the digi proceeds to make a call to the number in question (see **Dial Tone Opts**).

Dly= is the delay in seconds that a channel must be active before a call is made. **+** indicates positive trigger. **RES** indicates restore. Each channel fully is programmable.

DIGI MENU- contd

22 CHANNEL MENU contd.

Note:- Channel Types and **Channel Options** are not required for *SIA*, *Extended SIA* and *Contact ID*. However they can be used with those protocols to control when an event is reported e.g. if you want to delay a Fire event report by 30 seconds change **Ch 1: Dly=00+RES** to **Ch1: Dly=30+RES**.

23 TEST CALL MENU

- 231 Test Delay
- 232 Test Period

During an installation, the installer can programme the system to make its first test call to the central station at a specific time into the future. Select the number of hours into the future that the first test call will be made by keying-in a number in **Test Delay**

Following on from the first test call, subsequent test calls can be made at a set interval. Select the number of hours of this interval by keying-in a number in **Test Period**

24 REPORTS MENU

- 241 Phone Report Menu
- 242 Block Report Menu

Each *Fast Format* channel type can be programmed to report to any of the 4 central station phone numbers for instance, **Fire** events can be reported to either phones 1 or 2 while **Technical** events could be reported to phones 3 or 4. Remember when you are doing this to disable **Dual Report**

Furthermore, each block can be specifically configured to report individually in **Blk Report Menu**

25 AVI MENU

- 251 AVI Time
- 252 AVI Message

The **AVI Time** (audio visual indicator), in seconds, is freely programmable and is the length of time this feature remains active for when triggered.

During an AVI event a message is displayed on the keypad. This **AVI Message** is freely programmable. The default message is **Call Monitoring** i.e. Call the monitoring station.

DTV OPTIONS MENU

31 DIAL OPTS MENU

- 311 Dual Report
- 312 5sec Interval
- 313 Max Attempts
- 314 FTC Attempts
- 315 Retry Period
- 316 Using PABX

Dual Report, if enabled, will ensure that events are reported to all central station phones in the report list. If disabled then the dialler will stop after it has sent a message to one of the phone numbers in the report list.

If enabled, **5 Sec Interval** will add a delay of 5 seconds between successive failed call attempts.

Max Attempts is the maximum number of call attempts that the modem will make to the Central Station before giving up.

FTC Attempts is the number of failed call attempts that the modem will make before generating a Fail To Communicate event.

Note: DTV FTC = Digi Card (with Text & Voice); Fail To Communicate

Retry Period is the amount of time, in minutes, that the modem will wait after a block of 12 call attempts before trying to contact the central station again.

DTV OPTIONS MENU - contd

31 DIAL OPTS MENU contd.

316 Using PABX

Using PABX, if enabled, will treat the first digit in all phone numbers as the digit required to access an outside line through a PABX and insert a 3 second pause before dialling the rest of the phone number.

32 LINE MON MENU

321 Line Mon On

322 OH Monitor

323 OH-LF(Unset)

Line Mon On enables the line monitor circuitry.

Note: DTV Line Flt = Digi Card (with Text & Voice); Line Fault

OH Monitor enables off-hook detection circuitry to generate a line fault if the line voltage falls below 15Vdc. *Line voltage is nominally 48Vdc.*

OH-LF(Unset), if disabled, will not generate a line fault when the phone line is off-hook and when the panel is unset. When the panel is set and the phone is off-hook a line fault will be generated.

33 MISC. OPTIONS MENU

331 Text Enable

332 SmartLink7 Progress

Text Enable, if selected, allows the modem's SMS text feature to be used.

SL7 Progress, if selected, allows the installer or user to view the keypad display and see the system establishing a SmartLink 7 session.

34 MODEM OPTS MENU

341 Use Caller ID

342 Line Share

343 Rings B4 Ans

If **Use Caller ID** is selected then the system will try and retrieve incoming caller ID and decide if the call is to be answered, called back or ignored.

When sharing a line with a fax (or similar equipment) and caller ID cannot be used, the **Line Share** option can be used as a way to enable the modem to answer the phone line. When set, the modem will answer the phone if it rings, stops ringing and then rings again after a 40 sec. gap.

RingsB4Ans (rings before answer) is the number of times the phone rings before the Modem automatically picks up the line and attempts to communicate with SmartLink 7. Default is 00 which means the Digi Modem never automatically answers.

35 SMS SERVER NO'S

It is not recommended to change these phone numbers. They are used for SMS messaging on landlines.

36 SMS OPTIONS MENU

361 Attempts

362 Max Messages

363 Alarm Delay

Attempts is the maximum number of call attempts that the modem will make before giving up.

Max Messages is the maximum number of SMS alarm events sent for any given break-in.

Alarm Delay; if there is an accidental activation you may wish to delay the SMS alarm message from being sent and so give the user a chance to key-in their code.

SMS MENU

- 41 SITE NAME** When you select **Site Name** you will be prompted to type in the **SMS Site Name**. It is the installation's identification or address. This is sent at the start of the text messages and must be programmed.
- 42 PHONE NAME** The system can contact up to 19 phones to receive texts messages. Instead of referring to them simply as Phone 1, Phone 2 etc. the installer can assign more meaningful names using the **Phone Name** feature
- 43 PHONE NO'S** Using the **Phone No's** feature allows the installer to programme the phone numbers of up to 19 phones that will accept text messages from the system.
- 44 PHONE TYPES** When sending text messages to phones you can identify them as belonging to Users or Engineers.
- 45 PHONE OPTS.** **Phone Opt.** (phone options) is used to report events via SMS messaging. Events like: Alarms, System Events, Arming, Inhibit, Soak Zone, Technical Zone & Fire Exit.
For instance to report technical zone activations to phone 1 set **P01Rep Tech YES**
- Note:** If sending an SMS, please check with the phone company to see if "Caller ID" is enabled on the phone line and that it functions properly.
- 46 PHONE BLK ASSIGN** Menu used to assign blocks to the phones that support text messaging.
- 47 SEND TEST MSG** The installer can send a test call to all 19 phones that support text messaging.

6 Troubleshooting

Panel & RKP Troubleshooting

- **Status LED on circuit board is not flashing** The panel software may have stopped running
If the mains has failed, then check that battery voltage is greater than 11V.
- **RKP displays "--No Rkp Comms--"** The RKP Data wires (A & B) may be disconnected.
Check wiring between RKP and Panel. See page 5.
Or the panel software may have stopped running
See above
- **RKP displays "Add & Id Device"** This indicates that the panel is communicating with the RKP but it hasn't been initialised by the system.
Enter engineer mode and "Add & Id" the device using the "Wired Devs Menu".
- **Zones not opening or showing open** *Check the correct hardware has been selected for the zone i.e. Non EOL/Single EOL/Dual EOL*
Check that the zone is not in Soak test using "System Overview".

6 Troubleshooting - contd

- RKP buzzer not operating.

Check that speaker has been plugged-in to the circuit board. If the RKP is ID'ed, check that the Buzzer is enabled on the RKP in the "Keypad Opts Menu".

Digi Modem Troubleshooting

- 3 red flashes on the Digi Modem line status LED

The Digi Modem assumes that the phone line is dead. Check the voltage across the A & B terminal. It should be between 40 and 58Vdc. *Ensure that the in-coming phone line is wired to terminals A & B.*

- 2 red flashes on the Digi Modem line status LED

The Digi Modem assumes that the telephone handset wired into terminals C & D is off-hook. *The customer is probably making a phone call on their handset in which case no action is required.*

- 1 red flash on the Digi Modem line status LED

The phone line to the Digi Modem is ok. *No action is required.*

- The Digi Modem line status LED doesn't flash but stays red

The Digi Modem is trying to make a call but has yet to detect a dial tone. *Go to the "Dial Tone Options" in the "Phone Options Menu" and select NO beside the appropriate number.*

- The Digi Modem line status LED changes from red to orange

The Digi Modem is communicating with the Central Station, SmartLink 7 or the Text Messaging server. *No action is required.*

- The Digi Modem line status LED changes to green for 1 second.

The transmission has been successful. *Apart from possibly contacting the Central Station for confirmation, no action is required.*

- If the Digi Modem line status LED changes to red for 1 second.

The transmission has not been successful. *Try again or contact your Central Station Company.*

Wireless Troubleshooting

- Signal strength was okay when installed now it is weak

Be aware of your environment and how your RF path to the panel might change over time i.e. a full warehouse might have more RF obstacles versus an empty one.

- Signal strength varies depending on location within a room

Select the best spot in the room by using the Range-Tester tool to measure the signal strengths.

- Low signal strength at extremities of the premises

The *SecureWave* system is designed to operate in large installations, like warehouses. However, if signal strength is weak (i.e. -90dB to -110dB) consider relocating the panel or add a repeater to the system.


- Seeing "Open Tamper"

The various RF end-devices (i.e. RF-PIR, RF-Contact/Sensor, RF-Echo, RF-SABB etc.) have pry-off tampers switches; check that they are properly closed.

7 Technical Specifications

Panel Power Supply	Mains Input 230Vac +/- 10%, 50Hz +/- 4% Power output 1,500mA max. @ 13.7Vdc +/- 5% Aux. 12V resettable fuse 750mA hold / 1500mA trip RKP resettable fuse 750mA hold / 1500mA trip Internal Bell resettable fuse 300mA hold / 600mA trip External Bell resettable fuse 300mA hold / 600mA trip Strobe resettable fuse 300mA hold / 600mA trip
Battery Charging	Float Charging Method at 13.7Vdc +/- 5%
Current Consumption	Panel: 75mA Keypad: 30mA quiescent, 60-120mA max. (lights & sound) 10 Zone Expander: 80mA quiescent, 160mA max. (relays on) Digi Text Voice: 80mA quiescent, 115mA max. (relay on) ID Sensor: 2mA quiescent, 5mA max. PIR: 10mA max. GSM: 100mA quiescent, 550mA max. (transmit) Output card: 2mA quiescent, 190mA max. (relays on)
Wireless	Frequency: 868Mhz with 2-way communications Up to 70 RF detectors can be mapped onto zones & points Up to 64 RF key-fobs can be mapped onto users Also, up to 2 RF-SABB's, 2 RF-Echoes & 2 RF-Repeaters <i>note: maximum total of RF devices is 80</i>
Zones	All 70 zones with Inertia Sensor analysis Each zone configurable for non-EOL, single-EOL and dual-EOL resistance (<i>default</i>). Resistor = 4k7Ω. Response = 300ms
Point ID	Zones 5, 6, 7 & 8 supports 10 points, 5 power supplies and 5 output cards each
Outputs	Outputs 1 & 2, open collector, rated at 100mA Outputs 3, 4 & 5 with 300mA resettable fuses Outputs 7 to 18, changeover relays, rated at 1 Amp
Cabling (standard alarm cable)	Panel to remote device on RKP bus; 150m Total cable on RKP bus; 500m Panel to remote device on Point ID bus; 200m Total cable on Point ID bus; 600m
Temperature / Humidity European Standard	-10°C to +40°C / 75% non-condensing (Class II) EN 50131-1:2006 (Grade 2)

Output Types

Int. Bell	Internal bell output activates when there is an alarm condition. Also activates in the event of a tamper alarm or during engineer mode in some menus e.g. Walk Test. This output is timed and is controlled by the Internal Bell Timer.
Ext. Bell	External bell output activates when there is an alarm condition. Note: it does not activate for a tamper when the system is unset. This output is timed and is controlled by the External Bell Timer.
Alarm	Alarm output activates when there is a verified alarm e.g. after a second zone is triggered. This output deactivates at disarm or when the panel rearms after an alarm.
ArmDisarm	The ArmDisarm output is used to indicate the armed state of the panel. It is not affected when the system is in Partguard. This output is activated when the system is armed and deactivated when the system is unset.
Fire	The Fire output is activated when a Fire zone is triggered. A user code is required to deactivate it.
Panic	The Panic output is activated in the event of a panic zone opening, a duress code being keyed-in or *# being entered simultaneously at the keypad (if enabled). A user code is required to deactivate it.
Strobe	Strobe output activates when there is a pre-alarm/alarm condition. Also activates in the event of a tamper alarm. Unlike the Internal bell output, this output is not timed but is only deactivated by a user code.
Light	The light output is controlled by the  key on the RKP. The state of the output is toggled when this key is pressed.
Partguard	The Partguard output is activated after the panel has been partguarded. It is deactivated when the system is unset.
Latch	The Latch output type is normally at 0V. At the start of Exit Time it switches from 0V to HIGH and stays HIGH until the system is unset.
FireReset	The FireReset output is normally at 0V. In the event of a fire alarm, the FireReset output will go HIGH for 2 seconds the next time the panel is armed. The FireReset output also switches HIGH for 2 seconds after exiting Engineer Mode and 15 seconds after an alarm activation in the Walk Test Menu.
Perimeter	The Perimeter output is deactivated when the panel is unset. Assuming the system is armed and a zone has the Perimeter option, the output will activate when that zone has either a pulse or gross alarm. The output will deactivate when the panel rearms.
Tamper	Tamper output activates when there is a tamper activation. This output deactivates with a valid user code.
Buzzer	The buzzer output follows the state of the buzzer on the keypads i.e. active when the buzzer is on and not active when the buzzer is off.
Trouble	The Trouble output follows the state of the Fault LED on the RKP i.e. active when the LED is on and not active when the LED is off.
Tech1 ... 8	The Technical outputs (1-8) follow the state of their respective Technical inputs i.e. normally deactivated when their associated zone is closed and active when the zone is open.
Fire Exit 1 ... 12	The Fire Exit outputs (1-12) follow the state of their respective Fire Exit inputs (like Technical inputs) but with added features like a delay time, user code intervention, internal bell option etc. They are normally deactivated when their associated zone is closed and active when the zone is open
Mains Dly	The Mains Delay output will activate when there is a mains failure which exceeds the Mains Fault Delay Time (programmed in Misc. Timers). It will deactivate when the mains electricity is restored.

APPENDIX contd.

Output Types- contd

UnexOpen	The Unexpected Open event timer is used as a flag if a premises is opened outside of programmed time limits. An Unexpected Open output will activate if the panel is in an unset state at end of closing time (i.e. Close Finish time). The output remains in this state until it is armed, or the start of opening time (i.e. Open Start time) is reached.
UnexClose	The Unexpected Close event timer is used as a flag if a premises is closed outside of programmed time limits. An Unexpected Close output will activate if the panel is in an armed state at end of opening time (i.e. Open Finish time). The output remains in this state until it is unset, or the start of closing time (i.e. Close Start time) is reached. <i>A typical set-up for a shop might be; Open Start = 7:00, Open Finish = 9:00, Close Start = 17:30 & Close Finish = 18:30 (Monday - Saturday)</i>
AutoActiv8	The Auto Activate event timer is used outside of normal business hours to trigger an alarm should the premises remain open longer than the programmed Interval Time. When the panel is unset by a non-24hour user (e.g. a cleaner) it must be re-armed within the Interval Time or the output will activate and the panel will go into alarm.
UserAlert	The User Alert timer is used as a checking mechanism to ensure a user is still on the premises (e.g. a night watchman). Between the Start Time and End Time the user must check-in with the panel within a specified Interval Time. Each time they check-in the timer is reset to the interval time. If the timer runs for the full interval without a check-in then the User Alert output type will activate. This feature only works on the Days programmed to YES. In order to remind the user to check-in, the keypad will start beeping when the timer has 2 mins to run. Users will check-in by keying-in 0*5 followed by their user code.
SmartLight	A SmartLight output can be set to be triggered by just a zone opening or by just a user code or it can be set to be triggered by both. An Interval time needs to be programmed and is the amount of time the light will remain on for when triggered. If a user code is only to be used to operate a SmartLight, the option for that user should have "Output Only" set to YES. Note: the time is in minutes.
SmartDoor	A SmartDoor output can be set to be triggered by just a zone opening or by just a user code or it can be set to be triggered by both. An Interval time needs to be programmed and is the amount of time the door will open for when triggered. If a user code is only to be used to operate a SmartDoor, the option for that user should have "Output Only" set to YES. Note: the time is in seconds.
Unused	The Unused output has no function and is used to disable an output.

Input Types

Alarm	This input is only responsive when the system is armed. When activated the internal and external sirens are normally turned on and an alarm event sent to the Central Station.
Ent/Exit	When arming the system there is normally a countdown period (exit time) to allow the user exit the premises. When unsetting the system there is normally another countdown period (entry time) to allow the user enter the premises. During these periods, if an Entry/Exit zone is activated no alarm event occurs. Otherwise it behaves like an Alarm input.
Panic	This input will trigger a Panic Attack (PA) event whether the system is armed or unset. Normally the interior and exterior sirens are turned on. However, the system can be programmed to be silent during a PA event.
Fire	Normally this input will trigger a Fire event whether the system is armed or unset. If "FireO/P Enab" is set to NO then no Fire event will be sent to the Central Station when the system is unset. However, in all circumstances the interior and exterior sirens will continually go on for 1 second, off for 1 second, on for 1 second etc. until the user code is keyed-in.
Tamper	This input type is responsive whether the system is armed or unset and triggers a Tamper event. Normally when armed, both interior and exterior sirens are activated but when unset only the interior siren is activated.

APPENDIX contd.

Input Types- contd

Key	Normally this input, when open, will arm the system and when closed will unset the system. However, it can be programmed as a Pulse Key input. This means that the system can be armed when the normally closed input is momentarily opened. Once the system is armed it can be unset again by momentarily opening the input.
Line Flt	The input is usually used with a standalone dialler and is used to signal any Line Faults it detects.
FTC	The input is usually used with a standalone dialler and is used to signal any "Fail To Communicate" conditions it detects.
Unused	The Unused Input has no function and is used to disable an input.
Technical 1..8	The Technical inputs (1 to 8) are used to drive their respective Technical Outputs which are also numbered 1 to 8.
Fire Exit 1..12	The Fire Exit inputs (1 to 12) are 24 hour inputs and are used to drive their respective Fire Exit Outputs which are also numbered 1 to 12. Useful for monitoring the opening and closing of fire doors on a premises but can be used to monitor other applications e.g. plant & machinery.
Exit Terminate	When the panel is arming with an exit time (infinite or finite) then opening or closing an ExitTerm zone terminates the exit timer instantly. When the panel is Armed or Disarmed, activating this zone has no effect.

User Options

Full Set	Full set enables the user to fully arm the system using their code.																		
Unset	Unset allows a user to unset the system using their code.																		
Inhibit	Inhibit allows a user to inhibit zones or tampers using their code.																		
PartSet A	Allows a user to part set A the system within a user menu (See User Menu below).																		
PartSet B	Allows a user to part set B the system within a user menu (See User Menu below).																		
User Menu	<p>The User Menu is used to generate a menu for the user. When they enter their code it will pop the user into a menu structure which contains the following items....</p> <table><tr><td>Full Arm</td><td>Used to fully arm the panel</td></tr><tr><td>Quick Arm</td><td>Used to fully arm the panel without an exit time</td></tr><tr><td>Part Arm A</td><td>Used to partguard A the panel</td></tr><tr><td>Part Arm B</td><td>Used to partguard B the panel</td></tr><tr><td>View User Log</td><td>Used to enter the View User Log menu</td></tr><tr><td>Walk Test</td><td>Used to enter User Walk Test</td></tr><tr><td>Chime On/Off</td><td>Used to toggle the chime operation</td></tr><tr><td>Bell Test</td><td>Used to do a bell test</td></tr><tr><td>Manager Menu</td><td>Used to enter the manager menu (See Below).</td></tr></table>	Full Arm	Used to fully arm the panel	Quick Arm	Used to fully arm the panel without an exit time	Part Arm A	Used to partguard A the panel	Part Arm B	Used to partguard B the panel	View User Log	Used to enter the View User Log menu	Walk Test	Used to enter User Walk Test	Chime On/Off	Used to toggle the chime operation	Bell Test	Used to do a bell test	Manager Menu	Used to enter the manager menu (See Below).
Full Arm	Used to fully arm the panel																		
Quick Arm	Used to fully arm the panel without an exit time																		
Part Arm A	Used to partguard A the panel																		
Part Arm B	Used to partguard B the panel																		
View User Log	Used to enter the View User Log menu																		
Walk Test	Used to enter User Walk Test																		
Chime On/Off	Used to toggle the chime operation																		
Bell Test	Used to do a bell test																		
Manager Menu	Used to enter the manager menu (See Below).																		
	<p>The User Menu provides a more secure way of accessing system functions. By disabling quick codes and giving the user the User Menu option only authorised users will be able to access the functions outlined above. The items in the menu are selected using the PREV and NEXT keys. Press the YES key to enter a menu item.</p>																		
Manager Menu	<p>The manager menu is used to enable a user to change the following panel options...</p> <table><tr><td>Set Date & Time</td><td>Used to set the system date and time</td></tr><tr><td>View Eng. Log</td><td>Used to enter engineer view log</td></tr><tr><td>User Codes</td><td>Used to change a user code</td></tr><tr><td>User Options</td><td>Used to change user options</td></tr><tr><td>User Names</td><td>User to change the name of a user</td></tr></table>	Set Date & Time	Used to set the system date and time	View Eng. Log	Used to enter engineer view log	User Codes	Used to change a user code	User Options	Used to change user options	User Names	User to change the name of a user								
Set Date & Time	Used to set the system date and time																		
View Eng. Log	Used to enter engineer view log																		
User Codes	Used to change a user code																		
User Options	Used to change user options																		
User Names	User to change the name of a user																		

Once the **Manager Menu** option has been selected the user will automatically have a User Menu as this is the only way that the Manager Menu can be accessed.

APPENDIX contd.

Remote User Options

- Rem. User Phns** This is the phone number associated with *Smartlink 7*. This number must be programmed to allow the system:
Recognise Caller ID in order to call back *Smartlink 7*.
Recognise Caller ID in order to answer an incoming call.
Call *Smartlink 7* as a result of the user quick key menu option.
- Caller ID** Caller line identification (Caller ID) is received at a telephone at the start of incoming ringing. The Digi Modem is capable of receiving this information. If Caller ID is enabled for a remote user then the panel can decide to process a call if the phone number of the caller matches one of its remote phone users.
- Call Back** Call back enables the panel to make a call to one of its pre-programmed remote user phone numbers in the event that the Digi Modem has received an incoming call from a number that it recognises. Note: Please verify that caller ID is enabled on the phone line that you intend to use this feature on and that it functions properly.

Quick Keys

- 0#1 - User Log** The User Log is a record of events that can be viewed by the end user. It is limited to those events that occurred since the system was last armed.
- 0#3 - Walk Test** As the end user opens a zone they will briefly hear the buzzer and interior siren, they will also see the zone description appear on the keypad display. The buzzer and internal siren will be briefly heard again as the zone is closed.
- 0#4 - Full Arm** The user can arm the system with an exit time.
- 0#5 - Quick Arm** The user can arm the system with zero exit time.
- 0#6 - Tog Chime** The chime feature can be turned on by pressing 0#6. Pressing 0#6 again will turn off the chime feature.
- 0#7 - PGuard A** The system can be partially set i.e. those zones assigned to section A in the premises.
- 0#8 - PGuard B** The system can be partially set i.e. those zones assigned to section B in the premises.
- 0#9 - Bell Test** The system will systematically sound the buzzer and illuminate the LED's on the keypad, then sound the interior siren and finally prompt the user to go outside and sound the exterior siren and activate the strobe.
- 0*1 - Sms Engs.** The last 7 non-user log events can be sent as a text message by the user to the installation engineer(s) pre-programmed phone numbers.
- 0*2 - Sms Log** The last 7 non-user log events can be sent as a text message by the user to any text enabled phone. The user will be prompted to key-in the phone number.
- 0*3 - Call PC** The user can call, via the digi modem, a remote PC supporting SmartLink 7. They will be prompted to key-in the remote location's phone number.
- 0*4 - PC Direct** The user can start a SmartLink 7 session, via J3 or J4 on the panel.
- 0*5 - UserChk** This is used with the User Alert feature to check that a user is still on the premises.
- 0*6 - TmpUser** The user can create a temporary user code that is valid for a limited number of days. This code may be used by temporary users like tradesmen, cleaners etc.
- 0*7 - HomeAlone** This enables and disables the HomeAlone timer which is used to generate an event should a user not unset the panel within a certain time-frame. At the "Home From" time, if the panel is unset then an event will be generated indicating that the user cannot unset the panel. The event logged will indicate who did unset the panel. The "Home To" time indicates the latest time at which the user should unset the panel. If this time is reached and the required user has not unset the panel then this will be logged indicating that the user has not checked in on time. If a dialler is attached to the panel then the events generated can be sent as an SMS message to relevant phones

A typical set-up for a child returning from school... Home From = 16:00, Home To = 16:30 (Monday - Friday)

Panel Defaults

Arming Options	Enabled
Final Door	No
Exit Fault Bell	Yes
Line Fault Bell	No
Inhibit Tamper	No
Forced Arm	Yes
Displayed Armed	No
Extr'n'd Block Exit	No
Rearm Always	No
Rearm Count	3

Buzzer Options	Enabled
Mains Fault Buzzer	Yes
Line Fault Buzzer	Yes
FTC Buzzer	Yes

Comms. Options	Enabled
Remote Access	Yes
Secure Access	No
Local Access	Yes
Printer Port	No

	Code	Options
Engineer	04567	Engineer Mode
User 1	01234	Full Set, Unset, Inhibit, Partset A, Partset B Prox-Set, Prox-Unset, User Menu, Mgr. Menu
User 2-64	None	Full Set, Unset, Inhibit, Partset A, Partset B Prox-Set, Prox-Unset

Event Timer Types
T1-T7 Unused

Keypad PA Option	Enabled
Keypad * & # PA	No
Keypad PA Silent	Yes
Silent PA; Line Fault	Yes

Misc. Timers	Unit	Value
Weeks to Service	Weeks	00 <i>Infinite</i>
Fire Exit Delay	Minutes	00
Mains Fault Delay	Minutes	55

Output	Type	Trigger
1	Pre-alarm	POSITIVE
2	Alarm	POSITIVE
3	Strobe	NEGATIVE
4	Internal Bell	NEGATIVE
5	External Bell	NEGATIVE

Misc. Options	Enabled
Timed Soak	No
Engineer Lock	No
Duress Codes	No
Walk Test Bell	Yes
System Double Knock	No
Latch Chime	No
Internal Bell Chime	No
Auto Hour Change	Yes
Work to EN50131	Yes

Partguard Options	Enabled
Partguard A Exit Time	No
Partguard B Exit Time	No
Access to Entry/Exit	No
Partguard Digi Alarm	Yes
Indicate Partguard	No
Partguard A Exit Buzzer	No
Partguard B Exit Buzzer	No

Printer Options	Enabled
Real Time Log	No
Use Form Feed	No

Point No.	Zone Type	Zone Options	Gross	Pulse
Point 50 to 89	Alarm	Inhibit	4	4

Quick Key Options	Enabled
0#1 - User Log	No
0#3 - Walk Test	No
0#4 - Full Arm	No
0#5 - Quick Arm	No
0#6 - Toggle Chime	No
0#7 - Partguard A	No
0#8 - Partguard B	No
0#9 - Bell Test	No
0*1 - SMS Engineers	Yes
0*2 - SMS Log	Yes
0*3 - Call PC	Yes
0*4 - PC Direct	Yes
0*5 - User Check	Yes
0*6 - Temporary User	Yes
0*7 - Home Alone	Yes

Remote Keypad	Option	Enabled
RKP 1 to 8	LED's	Yes
	Buzzer	Yes
	Audio Arm/Disarm	Yes
	Tamper	Yes

Smart Lights Types
L1-L8 Unused

Smart Door Types
D1-D4 Unused

Timers	Unit	Value
Internal Bell	Minutes	15
External Bell	Minutes	15
Entry Time	Seconds	30
Exit Time	Seconds	30
Split Entry Time	Seconds	00
Soak Period	Days	00 <i>Infinite</i>
Bell Delay	Minutes	00
Double Knock Reset	Minutes	05
Double Knock Open	Seconds	10

Unset Options	Enabled
User Walk Test	Yes
Fire Output Enabled	Yes
Extr'n'd Block Entry	No
Fire Exit Bells	No
Fire Exit Req. Code	Yes

Police Response	Enabled
Confirmation Time	30 Min
Technistore Enabled	No

Zone No.	Zone Type	Zone Options	Gross	Pulse	Hardware
Zone 1	Entry/Exit	Inhibit, Chime	0	0	Dual EOL resistor
Other zones	Alarm	Inhibit	0	0	Dual EOL resistor

RF-Contact/Sensor	Enabled
Reeds Enabled	Yes

Panel Defaults Variations

Feature	Police Response	Audible
Police Response	Yes	No
Technistore - Code Version	0	0
Indicate PartGuard	No	Yes
Display Armed	No	Yes
Final Door Set	No	Yes
Work to EN50131	Yes	No

Voice Library Words

A	Factory	Nine	Tamper
Accounts	Fault	Nineteen	Technical
Alarm	Fifteen	Nineteenth	Ten
Apartment	Fifteenth	Ninth	Tenth
Area	Fifth	Not	Test
Arming	Fifty	Off	Third
At	Fire	Office	Thirteen
Attic	First	On	Thirteenth
Auto	Five	One	Thirtieth
Auxiliary	Floor	Open	Thirty
B	Forty	Panel	Three
Back	Four	Panic	Toilet
Bar	Fourteen	Part	Twelfth
Basement	Fourteenth	Patio	Twelve
Bath	Fourth	Phone	Twentieth
Battery	Freezer	PIR	Twenty
Beam	Front	Plant	Two
Bed	Fuse	Play	Unset
Block	Garage	Point	Upstairs
Boiler	Gates	Press	User
Button	Granny	PSU	Warehouse
Cabinet	Guest	Pump	Window
Call	Gun	Reception	Wireless
Canteen	Gym	Required	Zero
Ceiling	Hall	Right	Zone
Code	Heat	Roller	
Common	Internal	Roof	
Comms	Keyfob	Room	
Computer	Keypad	Safe	
Confirm	Kitchen	Second	
Conservatory	Ladies	Security	
Corridor	Landing	Sensor	
Denied	Left	Service	
Detector	Library	Set	
Dining	Lights	Seven	
Disabled	Line	Seventeen	
Door	Living	Seventeenth	
Downstairs	Lobby	Seventh	
Eight	Lounge	Seventy	
Eighty	Low	Shop	
Eighteen	Main	Shutter	
Eighteenth	Mains	Side	
Eleven	Manager	Six	
Eleventh	Message	Sixteen	
Emergency	Middle	Sixteenth	
En-suite		Sixth	
Engineer		Sixty	
Entry		Smoke	
Exit		Storage	
Extension		Study	
		System	

Index

A	Access to EE	18	L	Latch Chime	19	RF System Options	13
	Add & Id Devices	12		Line Flt. Bell	17	RingsB4Ans	27
	Add & Id RF Devs	12		Line Flt. Buzzer	20	Rkp *#& PA	18
	Alarm Delay	27		Line Monitor Menu	27	Rkp Config.	13
	Appendix	31-34		Line Mon On	27	Rkp PA Silent	18
	Arming Opts Menu	17		Line Share	27	S	
	AVI Menu	26		Local Access	22	Secure Access	22
B	Battery Menu	12		Locate Devices	12	Service, weeks to	16
	Bell Delay	16		Locate RF Devs	12	Silent Fire	20
	Block Entry, Extend	18	M	Log Menu	11	Silent PA LF	18
	Block Exit, Extend	17		Mains Flt. Buzzer	20	Site Name, SMS	28
	Block Report Menu	26		Mains Flt. Delay	16	Site Name, Voice	25
	Block Timers	16		Mapped Outputs	15	SmartDoors	16
	BS8243 Menu	21		Max Attempts	26	SmartLights	16
C	Caller ID	27		Max SMS Messages	27	Soak Period	16
	Call U/D PC	22		Menu Navigation	10	Software Version, View	11
	Channels, Test	11	O	Off-Hook Line Fault.	27	Split Entry Time	16
	Channel Types	25		Off-Hook Monitor	27	S/Port Equip. Menu	21
	Channel Options	25		Open Inputs Menu	11	SL7 Progress	27
	Chime, Int. Bell	19		Output Card Options	13	SMS Attempts	27
	Clear Log	11		Output Groups	17	SMS Options Menu	27
	Comms, Monitor	22		Outputs Menu	16	SMS Server No's	27
D	Date & Time, Set	15		Outputs, Test	11	SMS Site Name	28
	Dbl. Knock Open	16		Output Types	31-32	Soak Period	15
	Dbl. Knock Reset	16		Overview, <i>SecureWatch</i>	1-2	Split Entry	15
	Default DTV	25	P	Panel Defaults	35	Supervisory Reports	13
	Default Menu	12		PABX, Using	27	System Dbl. Knock	19
	Dial Tone Opts	25		PartGuard Digi Alarm	19	System Hardare	3-10
	Digi Menu	25		PartGuard Exit Buzzer	19	System Overview	11
	Display Armed	17		PartGuard Exit Time	18	System Faults, Show	11
	DTV Defaults	24		PartGuard, Indicate	19	T	
	DTV Options	26		Phn/Acc No's	25	Tamper Rearm	18
	DTV Overview	25		Phone Block Assign	28	Technical Specs.	30
	DTV Status	25		Phone Name	28	Technistore	21
	DTV Tests	25		Phone Numbers	28	Tech Zone Options	14
	Dual Report	26		Phone Options	28	Test Call Delay	26
	Duress Codes	19		Phone Protocols	25	Test Call, Make	25
E	Edit Misc. Text	20		Phone Types	28	Test Message, Send	28
	Eng. Arm/Disarm	12		Phone Report Menu	26	Test Period	26
	Engineer Code	15		Point Menu	15	Test RF Devices	11
	Engineer Lock	19		Police Options	21	Text Enable	27
	Eng. Tools Menu	11		Port Settings	22	Timed Soak	19
	Entry Timer	16		Print DTV Setup	25	Troubleshooting	28-29
	EN50131, Work to	20		Printer Port	22	U	
	Exit Flt Bell	17		Print Menu, Panel	22	Unset Opts	17
	Exit Time	16		Prog. Menu DTV	23	User Block Assign	15
	Expander Options	13		Prog. Menu Panel	Centre	User Code	15
	External Bell	16	Q	Quick Key Menu	18	User Names	15
	Event Timers	16		Quick Keys	34	User Options	15, 33
F	Final Door	17		Quick Key Menu	18	User Walk Test	17
	Fire Exit Bells	18	R	Quick Keys	34	V	
	Fire Exit Delay	16		Rearm Always	17	View Log	11
	Fire Exit Req. Code	18		Rearm Count	17	Voice Library	36
	Fire O/P Enabled	17		Record Site Name	25	Voice Protocol	25
	Forced Arm	17		Remote Access	21	W	
	FTC Attempts	26		Remote Names	13	Walk Test Menu	11
	FTC Buzzer	20		Remote User Menu	21	Walk Test Bell	19
G	Gross & Pulse	14		Remote User Options	34	Wiring Diagrams	3-10
H	Hour Change, Auto	19		Remove Devices	12	Wiring DTV	24
I	Inhibit Tamper	17		Remove RF Devs	12	Z	
	Input Types	32-33		Reports Menu	26	Zone Block Assign	14
	Internal Bell	16		Reset Device	22	Zone Hardware	14
				Retry Period	26	Zone Names	13
				RF Device Options	13	Zone Options	14
				RF Device Status	11	Zone PSU Assign	15
				RF Poll Time	13	Zone Types	14
						#	
						5sec Interval	26



Thanks you for considering HKC products
for your security

For further information in relation to any of our
Products, please contact us at:

HKC Ltd.

11-15 Betterton Street
Covent Garden

London

WC2H 9BP

T: 0800 1114599

F: 353 1 456 8332

E: sales@hkc.ie

or visit us at www.hkc.ie