

INSTALLATION AND SERVICING INSTRUCTIONS FOR THE STRAXGAS QUEST

(To be left with the appliance)

Appliance data:

Type of gas	:	Natural gas (G20) Cat. I ₂ H
Injector size	:	3 x 1.0 multihole
Injector marking	:	100
Gross heat input (high setting)	:	5.0kW (17,000Btu/h)
Gross heat input (low setting)	:	2.5kW (8,500Btu/h)
Supply pressure	:	20mbar (8in.w.g.)
Appliance test point pressure (cold)	:	19.5mbar (± 1.0mbar)
Type of flue	:	Class 1 (7in. dia.), Class 2 (5in. dia.) or precast block flue
Minimum effective height of chimney	:	3m (10ft.)
Ignition	:	Piezo
Spark gap	:	3.0mm min., 4.5mm max.
Dimensions:		
Width over frame excluding trims	:	484mm
Height including frame	:	583mm
Depth	:	102mm
Shipping weight	:	20kg
Country of destination	:	GB & IE

This appliance has been assessed by a Government appointed Notified Body and shown to meet the 'Essential Requirements' of the European Gas Appliance Directive.

The Directive lays down requirements for the safety of the appliance, together with its design, construction, and use of materials. It also requires the production process to be covered by an approved and monitored system of quality assurance.

Mandatory requirements

Straxgas fires must be installed with due regard to the following **mandatory** regulations:

The relevant British Standard installation specifications and codes of practice, and Building Regulations issued by the Department of the Environment, and Building Standards (Scotland) Consolidated Regulations issued by the Scottish Development Board.

Current Gas Safety (Installation and Use) Regulations.

Failure to install this appliance correctly could lead to prosecution and render the guarantee invalid.

Attention is drawn to the latest edition of the following standards:

BS1251, Specifications of open-fireplace components.

BS5440, Part 1 Specification for installation of flues.

BS5440, Part 2 Specification for installation of ventilation for gas appliances.

BS5871, Part 2 Installation of decorative fuel effect gas appliances.

BS6891, Specification of low pressure gas pipework

BS8303, Replacing CP403.

BS1289

This Straxgas appliance is an inset live fuel effect gas fire and must only be installed by a competent person (e.g. a C.O.R.G.I. member) in accordance with these installation instructions.

This appliance must be installed in accordance with the rules in force, and used only in a sufficiently ventilated space. Consult these instructions before installation and use of this appliance.

GB Additional purpose made air ventilation is not normally required.

IE & Northern Ireland Ventilation must be provided in accordance with the rules in force.

Preparation

Before installation

Ensure that the local distribution conditions (identification of the type of gas and pressure) and the adjustment of the appliance are compatible. Refer to burner data badge plate.

All types of flue

Ensure that:

- It only serves one fireplace
- Any terminal or cowl fitted is approved for use with this type of appliance.
- It is clear of any obstruction, and any damper or restricter is removed or fixed permanently in the fully open position.
- Any chimney used for an appliance burning a fuel other than gas must be thoroughly swept before installing any gas appliances.
- The chimney is properly sealed so that the combustion products do not come into contact with combustible materials outside the chimney.
- The base of the chimney is clear of loose debris, bricking up, etc.

Check with a smoke match that there is a positive updraught present. If a terminal is fitted check that it is free from obstruction and does not restrict the exit and safe dispersal of combustion products.

Location

This appliance is not suitable for installation in a room containing a bath or shower.

The appliance may be installed to any of the following:

- A masonry chimney with a minimum cross sectional area of 24,000 sq.mm, lined flue with a minimum dimension of 100mm or a minimum diameter of 175mm and a minimum effective height of 3m and having a throat forming lintel conforming to BS1251. The appliance may be installed either without removing the chairbrick or in a builder's opening with sufficient volume for debris collection conforming to Fig. 2.
- A pre-cast block flue conforming to the requirements of BS1289 with a minimum cross sectional area of 12,000 sq.mm and a minimum dimension of 63mm. See Fig. 2 for minimum depth requirements.
Ensure that mortar fangs between the blocks do not protrude into the flueway. It is essential that the flue terminal does not restrict the flue flow and complies with BS1289; if not, replace with an approved terminal.
- An insulated twin walled metal fluebox and flue system with a minimum diameter of 125mm, and minimum effective height of 3m. The system must conform to the constructional requirements of BS715 and Fig. 2d.

The different types of installation are fully described in the next section.

The appliance must only be installed into an opening against a non-combustible wall.

Clearances

If a shelf is to be fitted above the fire, perhaps as part of a surround, it must be positioned a minimum of 715mm (28in.) above the top of the hearth, and project no more than 200mm (8in.) from the front plane of the opening. Combustible material such as wood may be fitted to within 100mm (4in.) of either side of the opening so long as it projects no more than 100mm (4in.) from the front plane of the opening.

Soft furnishings, decorations and some wall coverings may discolour or scorch if positioned too close to the fire.

Installing the fire

Site preparation

The Straxgas appliance must be installed on a level, non-combustible hearth in accordance with BS5871, Part 2. See also approved document J 1/2/3 "Heat Producing Appliances" issued by the Department of the Environment.

Clear the working area of all debris before removing the Straxgas appliance from the packaging. See Figs. 2a to 2d for opening sizes and hearth requirements.

Items supplied

The following items will be found within the carton:

1. Radiant fire box.
2. Separate flat trim.
3. Burner complete with controls
4. Restrictor plate, (use depends on type of installation).
5. Optional fret.
6. A box containing 1 back & 2 front ceramic sections, 7 large and 2 small coals.
7. Foam sealing strip
8. Screws and wall plugs to complete the installation.
9. These installation instructions, guarantee card and end user operating instructions.
10. A bag containing the high level control knob where applicable.

Warning: Only Straxgas approved ceramic blocks and coals, designed for this appliance, must be used with this burner. Use of ceramic components from any other supplier will invalidate the guarantee and may be dangerous.

When unpacking the appliance, avoid touching the visible, painted parts as the paint requires curing (this will take approximately 2 hours under fire. In some cases there may be a slight odour given off for a short period).

Fret options

The following Straxgas frets are suitable for use with this appliance:

- *Black Broughton Classic*
- *Silver Classic*
- *Black finger*
- *Brass finger*
- *Gainsborough*
- *Delta*

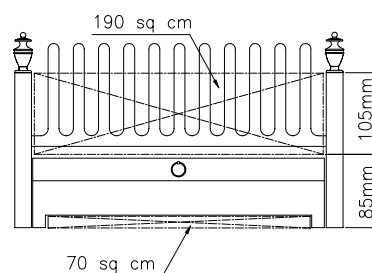


Fig. 1 Optional fret min. ventilation requirement

If a fret from another manufacturer is being used, it must comply with the minimum free area requirements shown in Fig. 1.

Gas connection

WARNING: Always blow pipework through before connecting to appliance – contamination will permanently damage the burner.

Note: Gas connection shall be with rigid or semi-rigid pipe, by concealed connection only. A 15mm gas supply pipe should be brought to within 1M of the fireplace opening. The connection to the burner can be made from the right or left-hand side by a concealed pipe from behind the burner to the restrictor elbow on the left-hand side of the burner. Pierce the membrane grommet fitted in the back of the convection box and pass the gas supply pipe through ready for connection to the burner. 8mm pipe is required for this purpose. *When passing the pipe through brickwork or plaster, cap the end to prevent entry of debris.*

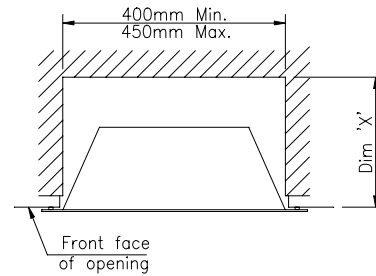
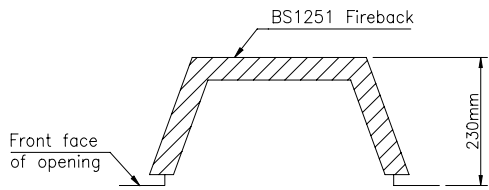
Assembly sequence

All types of installation

Remove the 4 screws securing the front casing (two each side) and carefully remove the casing by sliding the left hand edge forward, then to the right to clear the high level tap spindle. Place carefully to one side.

Masonry chimney With or without chairbrick (Fig. 2a or b)

1. Fit the restrictor plate using 2 screws provided, as shown in Fig. 3.
2. Secure the self-adhesive foam strip to the back of the sealing flange (Fig. 3)
3. Slide the firebox into position, making sure that the sealing strip is compressed and forms an effective seal around the complete frame.
4. Drill the front face of the opening to match the 4 holes in the sealing flange and insert the plugs provided.
5. Secure the convection box using the screws provided.



Note:
 For 325mm opening 'X'=205mm
 For 450mm opening 'X'=155mm

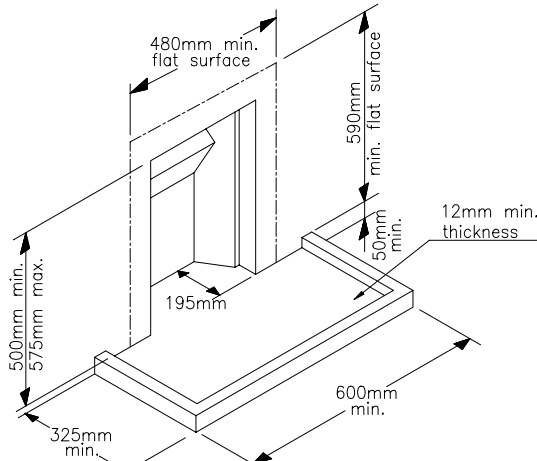


Fig.2a Masonry chimney with chairbrick

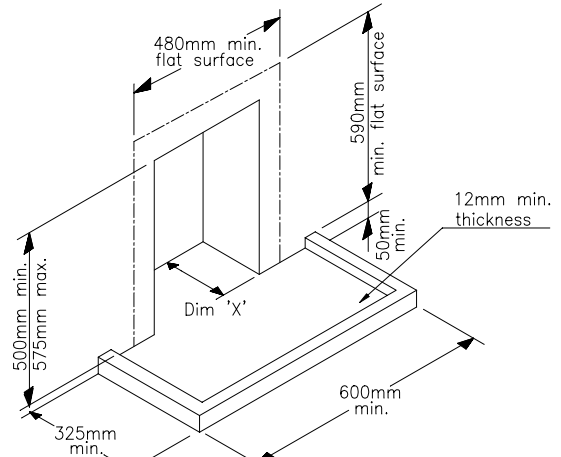


Fig.2b Masonry chimney without chairbrick

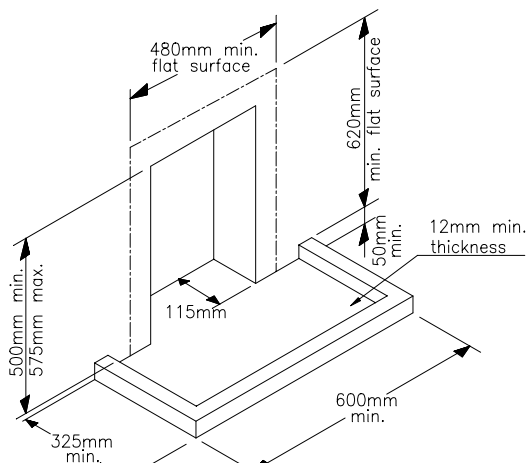
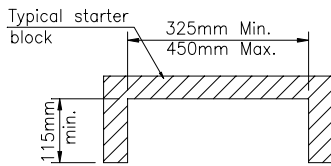


Fig.2c Pre-cast block flue

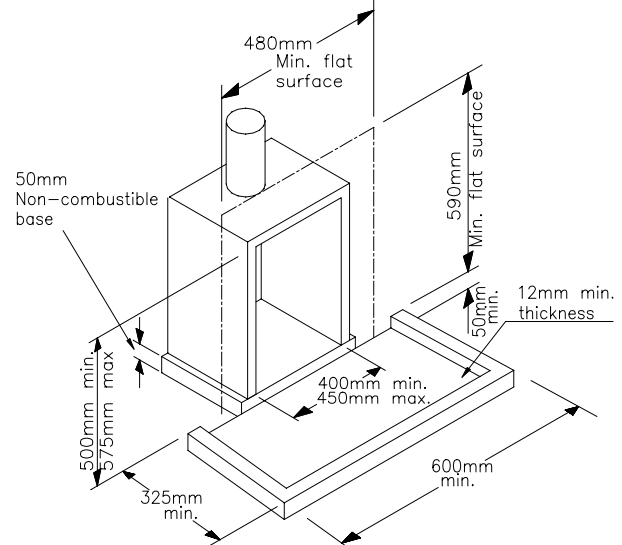
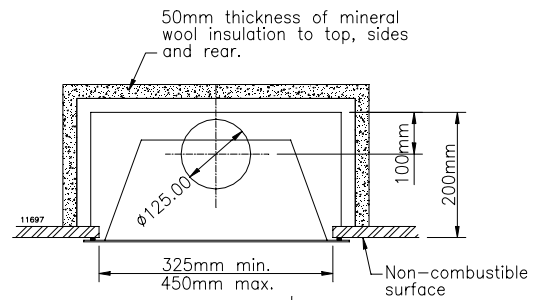


Fig.2d Metal fluebox and flue system

Pre-cast block flue (Figs. 2c)

Note: The outlet restricter plate must not be used with this installation.

1. Secure the self-adhesive foam strip to the back of the sealing flange or convection box flange as appropriate (Fig. 3).
2. Slide the convection box into position, making sure that the sealing strip is compressed and forms an effective seal around the complete frame.
3. Drill the front face of the opening to match the four holes in the flange of the appliance and insert the plugs provided
4. Secure the convection box using the screws provided.

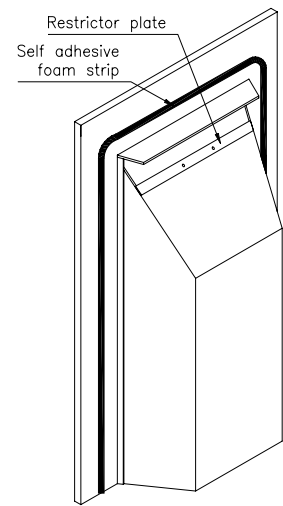


Fig. 3 Fitting the restricter plate

Metal fluebox and flue system (Fig. 2d)

Note: The outlet restricter plate must not be used with this installation.

1. The metal fluebox must stand on a non-combustible hearth of at least 50mm thickness.
2. The top, sides and rear of the box must be covered with a 50mm minimum thickness of mineral wool insulation, see Fig. 2d.
3. Secure the self-adhesive foam sealing strip to the back of the convection box flange.
4. Slide the convection box into position, making sure that the sealing strip is compressed and forms an effective seal around the complete frame.
5. Drill the front face of the opening to match the 4 holes in the flange of the appliance and insert the plugs provided
6. Secure the convection box using the screws provided.

Final assembly for all types of flue

Following satisfactory installation of the convection box into the opening, proceed as follows:

1. Connect the gas supply pipe to the inlet elbow.
2. Refit the front casing and secure with the 2 screws each side.
3. Where applicable fit high level control knob on tap spindle and tighten grub screw onto the flat. Ensure that the knob rotates without rubbing on the casing; if necessary slacken the grub screw and reposition.
4. The ceramic components are fragile and should be handled with care. Refer to Figs. 4 and 5 for positioning of ceramic fibre blocks and coals.
5. Place the back ceramic on the burner, against the back of the convector firebox.
6. Place a flat ceramic pad against each side of the firebox, with the angled corner facing forward. The pads are identified 'L' and 'R'. Position them each side of the back ceramic.
7. Slide the front ceramics down between the upturned front edge of the burner plate and the front coal support.
8. Remove the coals from the bag; note that 2 sizes are supplied. Place them on the ceramic blocks in accordance with Fig. 4.
9. If a flat trim has been supplied, attach it to the fire flange by means of the magnets.

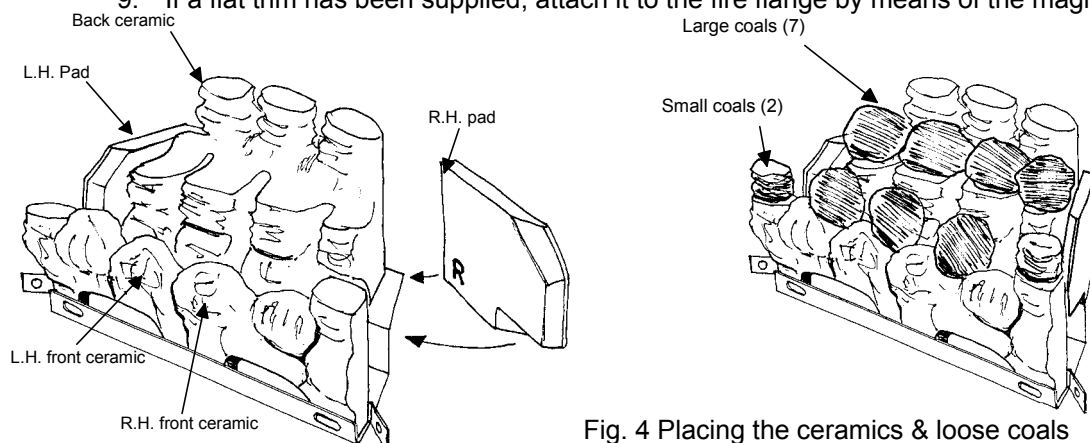


Fig. 4 Placing the ceramics & loose coals

Leak test & pressure test

1. Turn on the main gas supply and check for leakage with a suitable leak detection fluid.
2. Remove pressure test screw, and fit pressure gauge to pressure test point.
3. Light the fire (see next section).
4. Turn control knob anti-clockwise to **High** position.
5. When the control knob is in the **High** position, you should have a gas pressure of 19.5mbar \pm 1.0mbar.
6. Extinguish the fire by turning the low-level control knob clockwise to the **Off** position.
7. Remove the pressure gauge and replace the pressure test screw. Check again for gas soundness.
8. Fit the front fret by hooking the support lugs at each end through the slots in the front casing (if using a Straxgas fret), or place an alternative front fret in front of the burner.

Note: If a fret from another manufacturer is being used, it must comply with the minimum free area requirements of Fig. 1.

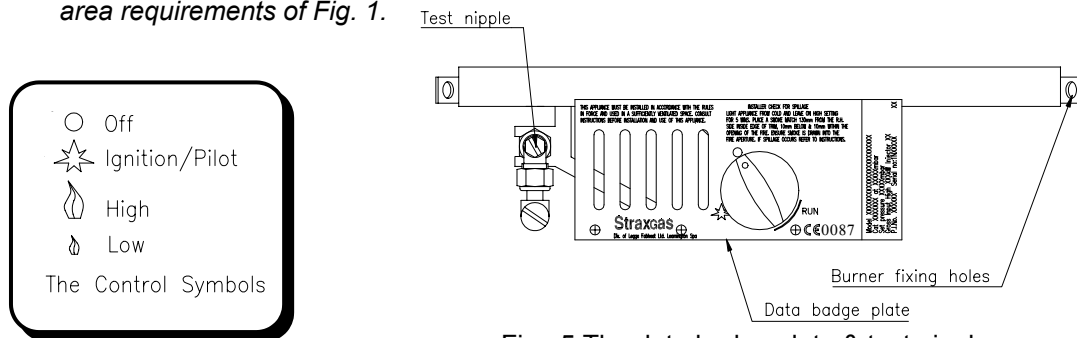


Fig. 5 The data badge plate & test nipple

Lighting the fire

The appliance Data Badge is positioned in front of the burner behind the fret and carries the control knob positions (Fig. 5). The full lighting procedure is as follows:

Low level control version

1. Push control knob in as far as possible on gas control.
2. Turn knob anti-clockwise until a click is heard. The knob will stop at the ignition position and a spark should be seen at the tip of the ignition probe. At the same time the pilot flame should light. KEEP THE KNOB PRESSED IN FOR 10 SECONDS. If the pilot should fail to light, turn the control knob clockwise to the 'off' position, wait 3 minutes and repeat the procedure.
3. When the pilot flame is alight the control knob should be allowed to spring out slightly. Turn the knob fully anti-clockwise to the high position. The pilot flame should then ignite the main fire.
4. The height of the flames can be adjusted by turning the control knob between the low and high positions. Note that the knob 'latches' in position at either end of this movement and must be pushed in slightly before it can be turned.
5. To turn the fire off, depress the knob slightly and turn it to the pilot position.
6. To completely extinguish the fire depress the knob slightly and turn to the 'Off' position.

High level control version

1. Proceed as for 1 and 2 above 'Lighting the fire'
2. When the pilot flame is alight the control knob should be allowed to spring out slightly. Turn the knob anticlockwise to the 'Run' position.
3. The height of the flames can be adjusted by turning the knob at the top right hand side of the fire between the high and low positions.
4. To turn the fire off, turn the high level knob to the 'Off' position.
5. To completely extinguish the fire depress the knob under the burner slightly and turn it to the 'Off' position.

Check for clearance of products of combustion

1. Light the fire.
2. Close all windows and doors.
3. After approximately 5 minutes place a smoke match 130mm from the right hand side, inside edge of the trim, 10mm below and 10mm within the opening of the fire as shown in Fig. 6. Ensure that the smoke is drawn into the fire aperture. If spillage is detected, operate the fire for a further 10 minutes and repeat the test. If spillage is still detected introduce ventilation into the room by opening a window or door. If spillage is no longer detected then purpose made ventilation with a minimum area of 100 sq.cm must be provided.
If after introducing ventilation into the room spillage is still detected, remove the restricter plate if fitted (see Fig. 3) and retest for spillage. If spillage is still detected the cause must be discovered and the fault corrected. If the fault cannot be corrected, disconnect the gas supply to the appliance and seek expert advice. Possible causes of spillage are chimney restrictions, or an incorrect cowl or terminal.
4. If there is an extraction fan in a nearby room then the spillage test must be repeated with the fan turned on and any interconnecting doors between the fire and the fan location left open.

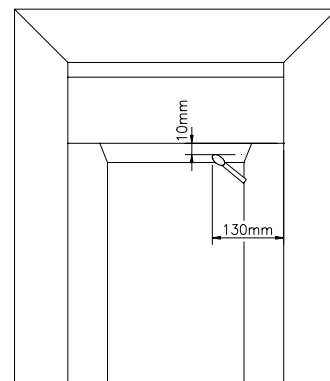


Fig. 6

Instruct the user

1. Hand over these Installation Instructions and the User Instructions to the person who is going to use the fire and explain how to light and operate the appliance. Explain how the fire may be lit, if necessary, by means of a long spill or taper.
2. Make certain that the user is aware that the ceramic blocks and coals must be located in accordance with the instructions, and that the appliance should be serviced at regular intervals by a competent person to ensure continued safe operation.
3. Explain that this appliance is fitted with an oxygen depletion sensor incorporated into the pilot body. Should the fire repeatedly extinguish itself, the cause should be sought and remedied as this may indicate spillage into the room of combustion products.
4. Indicate the tie-on warning label which the customer must remove and read.
5. Advise the user that any smell given off by the appliance will clear away after a little use.
6. Point out that these instructions must be retained in a safe place for future use.
7. Demonstrate to the user that the magnetic decorative canopy motif is optional. As the magnet may mark the paint, make sure that the user is happy to have it attached. Otherwise leave it for the user to attach at a later time if desired.

Maintenance

Servicing should be carried out regularly by a competent person in accordance with these instructions and the relevant regulations, to ensure the safe and correct operation of the appliance.

At least once a year check for debris in the flueway. If soot has accumulated ensure that the chimney is swept clean.

Before commencing any service or replacement of parts, turn off the main gas supply **and ensure that the fire is cold.**

When ordering spare parts please quote appliance serial number which can be found on the data badge plate.

Ceramics

Examine the coals and ceramic blocks for signs of excessive cracking and replace if necessary. Handle the ceramic components with care. Dust off any soot or deposits with a soft brush. Do not vacuum clean.

Removal of burner & radiant fire box

1. Turn off the gas supply by the isolation cock.
2. Disconnect the 8mm pipe from the elbow at the left-hand side of the burner.
3. Slacken the grub screw and pull off the control knob on the upper right hand side of the case if fitted. Remove the 2 screws each side securing the front casing and carefully remove the casing by sliding the left-hand edge forward, then to the right to clear the high level tap spindle. Place carefully to one side.
4. Remove the 2 screws securing the burner to the convector box and remove the burner. For a High Level Control version it will also be necessary to disconnect the pipes at the gas tap and injector by undoing the union nuts.
5. Remove the 4 screws in the flange of the convection box, and lift the box out of the opening.
6. Examine the flue for debris and clean if necessary.
7. Reassemble in the reverse order.
8. After servicing check for gas soundness.

Following a service, a check should be made for clearance of combustion products. Follow the procedure detailed in these instructions.

Cleaning the fire

Black paint: Use only a clean damp cloth. Do not use any cleaning agents.

Brass parts: Fret - Use Brasso or Duraglit ensuring that it does not come into contact with the black paint finish.

Brass frame - This has a laquered finish and should only be wiped with a damp cloth. Do not use metal polish.

IMPORTANT - The paint finish is durable and heat resistant, however it will be damaged if plaster, cement or wallpaper paste is allowed to come into contact with it. **Protect the appliance during re-building or decorating work.**

Replacement of parts

Before commencing any servicing always ensure that the fire is isolated from the gas supply and that the fire is cold. After servicing always check for gas soundness.

Replacement of gas tap/FSD/piezo igniter

1. Turn off the gas supply by isolation cock.
2. Lift off the front fret and remove the coals and ceramic blocks.
3. Proceed with paragraphs 2-4 above, 'Removal of burner and convection box'
4. Pull off control knob.
5. Remove the 2 screws securing the Data Badge plate and remove the plate.
6. Disconnect ignition lead to the igniter unit.
7. Disconnect all gas connections to gas valve as well as the connection to the thermocouple.
8. Remove 2 screws securing the valve to the mounting bracket, and discard old tap/FSD/piezo igniter complete.
9. Assemble the new tap/FSD/piezo igniter on the mounting bracket. *Ensure that the filter is in position in the pilot outlet orifice on the tap body.*
10. Reassemble the appliance in reverse order.
11. Replace the ceramic blocks and coals (see Fig. 4).
12. Turn on the gas supply and check for soundness.

Note: The igniter is not replaceable separately.

Replacement of high level gas tap

(High level control version)

1. Turn off the gas supply by isolation cock.
2. Pull off the control knob on the upper right hand side of the case if fitted. Slacken the two screws underneath the canopy, and slide the canopy off. Remove the 2 screws securing the front casing (one each side, near the bottom) and carefully remove the

casing by sliding the left hand edge forward, then to the right to clear the high level tap spindle. Place carefully to one side.

3. Disconnect the two gas pipes at the high level tap by releasing the unions.
4. Undo the retaining nut securing the tap to the bracket and remove the tap.
5. Reassemble in reverse order.
6. Turn on the gas supply and check for soundness.

Replacement of main injector

1. Repeat operations 1 - 3, as described for 'Replacement of gas tap/FSD/piezo igniter'.
2. Remove gas pipe from gas valve to injector.
3. Remove screw securing slotted burner to the baseplate and lift off burner.
4. Unscrew injector and replace, making certain that the jet size stamping corresponds to the specification on the Data Badge plate. Make sure that the injector union is not overtightened, which could cause distortion of the mounting bracket. (Check that the injector is parallel to the slots which retain the front coals).
5. Reassemble in reverse order.
6. Turn on the gas supply and check for soundness.

Replacement of ignition & pilot assembly

1. Repeat operations 1 - 5, as described for 'Replacement of gas tap/FSD/piezo igniter'.
2. Disconnect thermocouple connection to the gas tap/FSD/piezo igniter.
3. Disconnect pipe from base of pilot burner tube.
4. Pull off connector on the base of the igniter probe.
5. Remove 2 screws on gas burner and remove ignition unit complete.
6. Fit new pilot assembly and reassemble in reverse order.
7. Turn on the gas supply and check for soundness.
8. Check operation of ignition system.

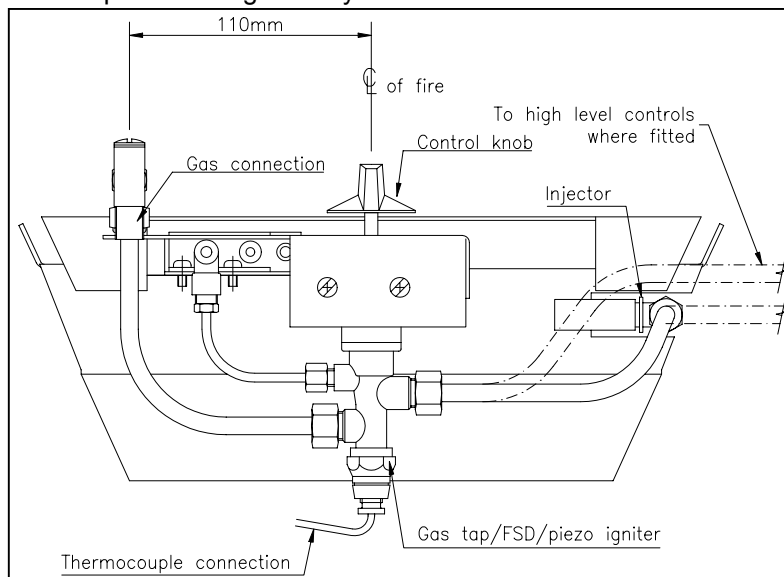


Fig. 7 Underside of burner

SPARE PARTS

When ordering spare parts please quote part numbers as listed below:

	NATURAL GAS
Pilot tap & piezo for high level version	BV50001
Off/high/low tap for high level version	BV50369
Tap with piezo for low level version	BV50000
Oxypilot assembly	BA50004
Injector	BI31000
Back ceramic	BC11715
Front ceramic - set of 2	BC11716
Side ceramics L.H. & R.H.	BC11717
Set of 9 loose coals	BC50009

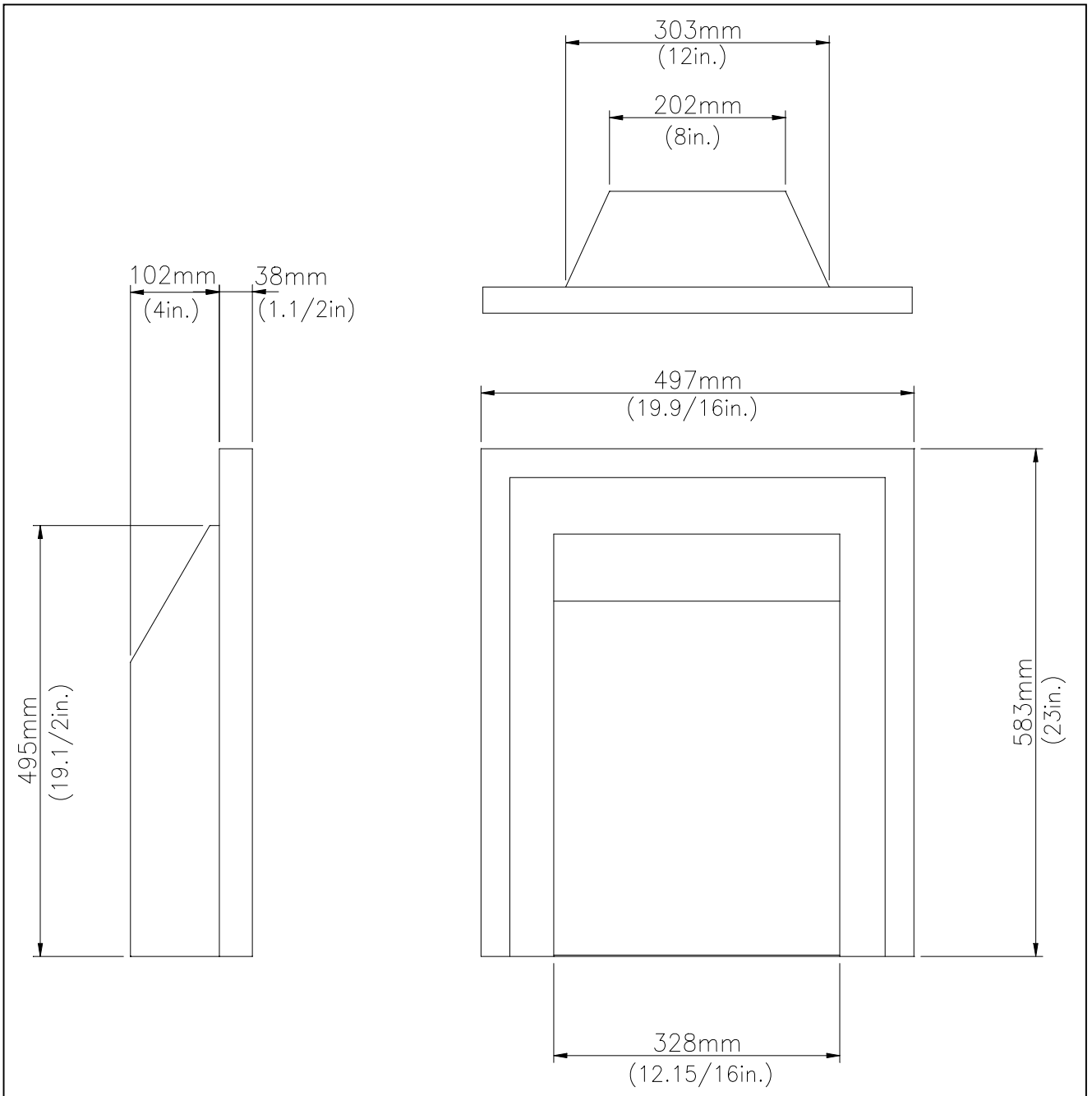


Fig. 8 Quest outline drawing without trim

NOTE: No liability can be accepted unless this product has been installed and operated strictly in accordance with these manufacturer's instructions
 U.K. Registered Design 2040268. British Patent Application 9414887.1
 Design right reserved © Legge Fabheat Ltd.