

Metador 400FG Series

BRITANNIA
METADOR
— STEEL DOORS —



Fully Glazed and Fire Rated Steel Doorsets

The Metador 400FG Series is a fully glazed doorset designed for many external and internal situations. The Series is also suitable for all general purpose, commercial or industrial applications which is available in many sizes and fenestration options to suit customer requirements.



Metador 400FG Series

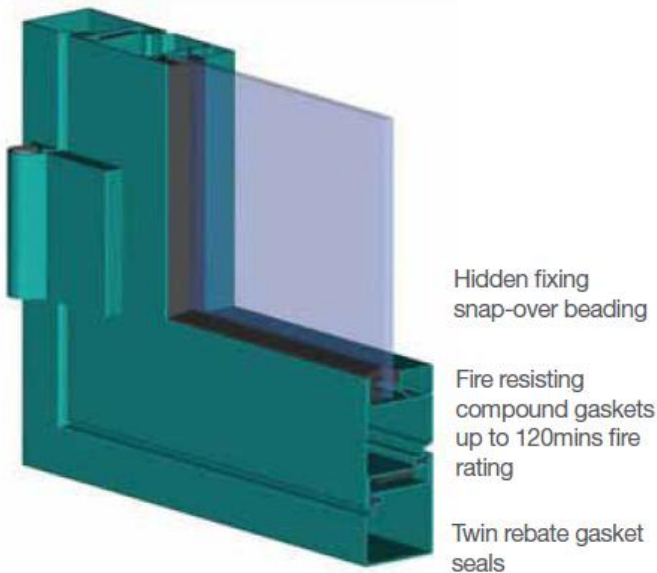
Specification & features

BRITANNIA
METADOR
STEEL DOORS

Opening doors for your business



Multiple glazing thickness can be accommodated



Door Leaf

Manufactured from 2mm cold-rolled pre-galvanised profiles, mitred and welded at the corners. Anti-jemmy flanges to the leading edge of the leaf provide excellent jemmy resistance.

Frame

Manufactured from 2mm cold-rolled pre-galvanised profiles, mitred and welded at the corners.

Threshold

DDA compliant galvanised steel threshold welded into the vertical frame posts.

Seal

For optimum weather and thermal performance, a tubular silicone/rubber seal is bonded into the frame rebate and the leaf profile rebate to ensure effective sealing of the door/frame gap.

Fire Rating

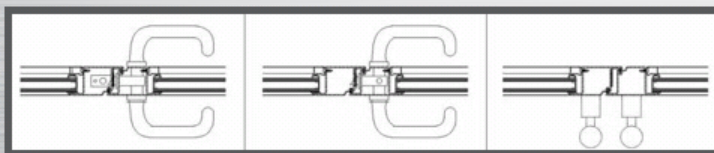
Fire rated up to 120mins as unlatched option with pull handles or latched option with lever handles.

Hardware

Door leaves are hung from heavy duty steel hinges for smooth operation and optimum weather resistance. Additional hardware includes a range of locks, latches, lever handles, panic hardware, closers and stays. On double doors, lever-action flush bolts can be installed within the leading edge of the inactive door leaf.

Finish

All doorsets are supplied with a primer coating as standard. Polyester powder coating is available to any standard RAL colour.



Honest
On-time
Quality Service

BRITANNIA
METADOR
STEEL DOORS



Opening doors for your business

Britannia House, John Boyle Road, Middlesbrough, TS6 6TY

T: 01642 337119

F: 0845 371 0404

E: security@britanniametador.com

www.britanniametador.com