



ASUH SERIES 4-20mA HYBRID PRESSURE TRANSDUCER (LOW RANGE)

The ASUH Series of High Performance Sub-Miniature Pressure Transducers have been designed for demanding installations in precision engineering.

The new design utilises miniaturised hybrid components, allowing savings in both size and weight; this transducer has enhanced performance at elevated temperature and is optimised for extreme installations such as on-engine or transmissions.

With a modular construction and programmable amplifier, this provides a fast delivery time for standard and custom configurations.

Pressure ranges are available between 1 to 35 Bar in either Absolute, Gauge or Sealed Gauge reference.

Industry standard 2-wire electrical connections allow configuration with most common ECU's and data logging systems.

TECHNICAL SPECIFICATIONS

Pressure Reference	Absolute, Gauge and Sealed Gauge
Standard Pressure Ranges (Bar)	1, 2, 5, 10, 15, 20, 35
Proof Pressure (Over range)	200% of Range
Burst Pressure	>500% of Range
Accuracy	±0.08% FS Combined Linearity & Hysteresis (CNLH)
Thermal Accuracy (Total Error Band)	<±0.25% FS TEB within Compensated Range
Output	4-20mA (±0.5%)
Supply	9-40Vdc
Operating Temperature Range	-40°C to +150°C
Compensated Temperature Range	Please see Part Number Configurator
Bandwidth	0-1000Hz (Standard) - Other Frequencies Available
Construction	Stainless Steel
Electrical Connection	26AWG, 55 Spec Wire + DR25 Sleeve Or, Hermetic Connector. 8STA1-Y02-05PN170
Process Connection (Thread Size)	Please see Part Number Configurator
Protection Class	IP67 (Cable Option), Hermetic Seal (Connector)
EMC Protection & Vibration	EN E50082-1 and Mil-Std-810C, Curve L, 20G
Weight	Cable Option: 27g Connector Option: 21g
Options	Cable Spec, Connector Fitted, Labelling & Thread Sizes

KA Sensors adopts a continuous development program which sometimes necessitates specification changes without notice.

Sensors For Motorsport

Features

- Sub-Miniature Size
- 4-20mA Output
- 1 to 35 Bar Range
- Cable or Connector
- 0-1000Hz Bandwidth
- ±0.08% Accuracy

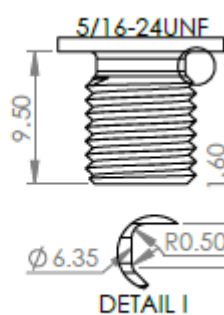
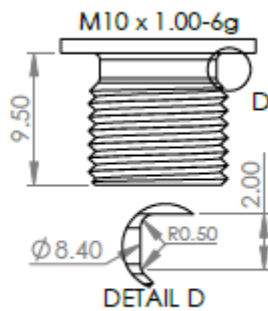
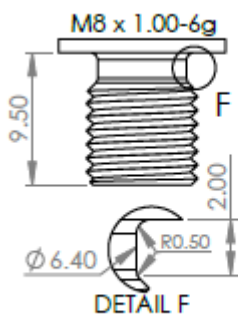
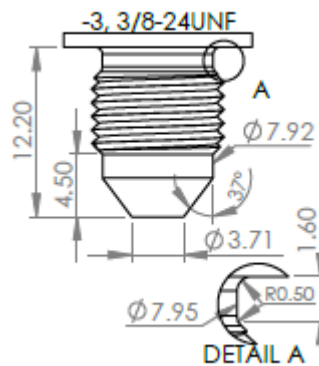
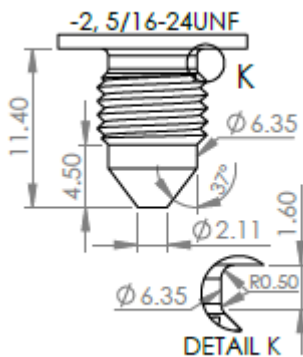
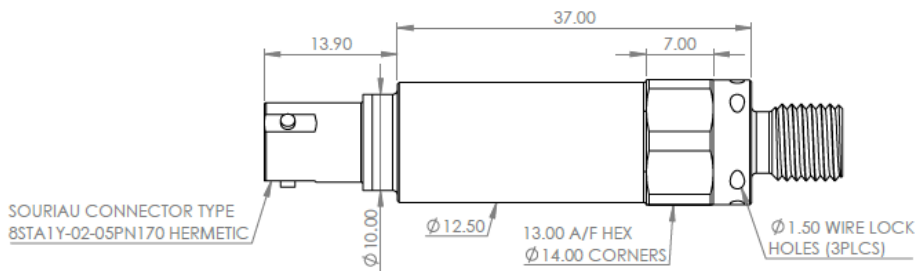
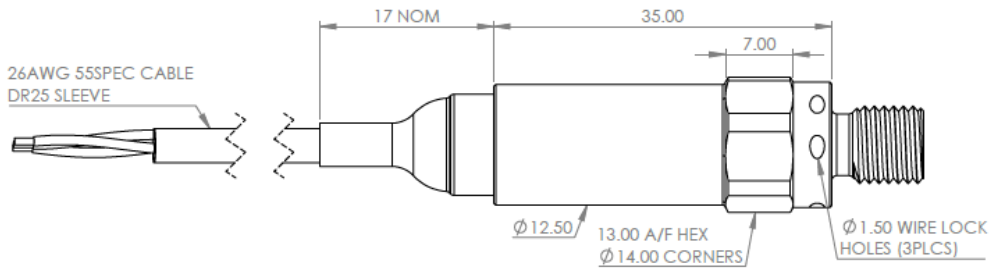
Applications

- Coolant
- Brakes
- Water
- Boost
- Fuel
- Oil

kasensors.com
sales@kasensors.com
+44(0)1476 568057

ASUH 4-20mA LOW
09.19

MECHANICAL DETAILS



*Sense
Analyse
Control*

Services for:

- Data Logging
- Telemetry
- Controls
- Wiring

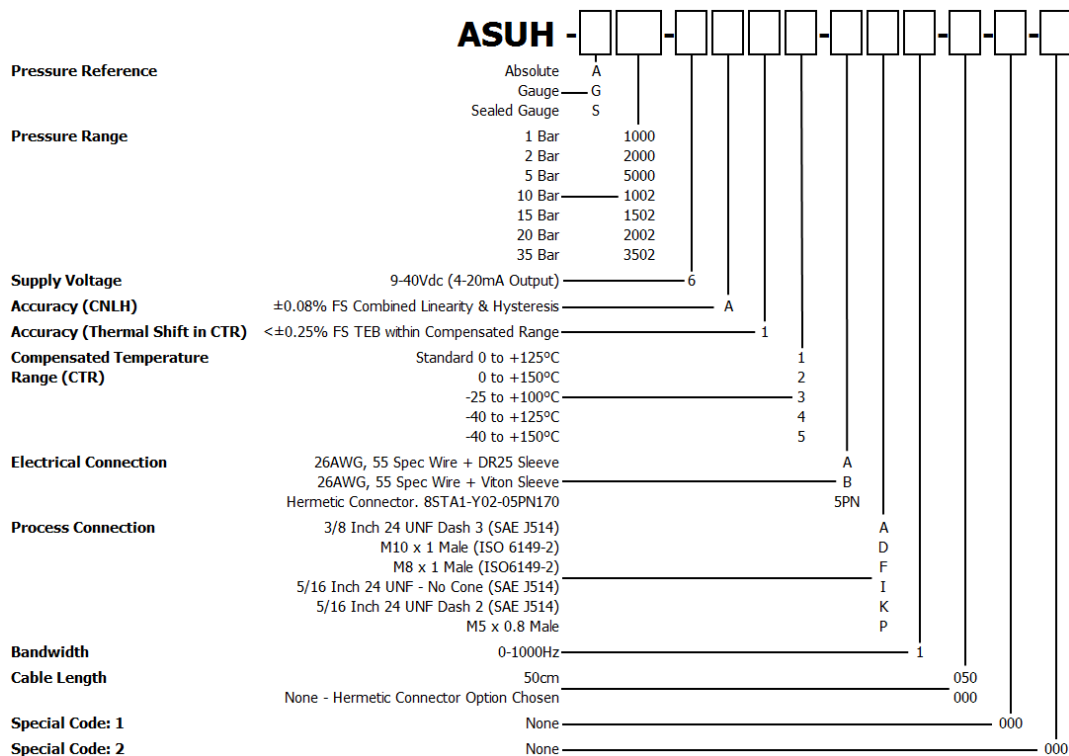
Contact us

KA Sensors Ltd
Unit 14 & 15
The Old Malthouse
Springfield Road
Grantham
Lincolnshire
United Kingdom
NG31 7BG

kasensors.com
sales@kasensors.com
+44(0)1476 568057

ASUH 4-20mA LOW
09.19

PART NUMBER CONFIGURATOR



The KA configuration tool is used to specify a standard KA Sensor, other options are available.

CONNECTION DETAILS

Cable Option		
+Ve Supply	GND	Factory Use Only
Red	Black	White

Hermetic Connector Option			
+Ve Supply	GND	Factory Use Only	Not Connected
Pin 1	Pin 2	Pin 3	Pin 4 & 5

Sense
Analyse
Control

Services for:

- Data Logging
- Telemetry
- Controls
- Wiring

Contact us

KA Sensors Ltd
 Unit 14 & 15
 The Old Malthouse
 Springfield Road
 Grantham
 Lincolnshire
 United Kingdom
 NG31 7BG

kasensors.com
 sales@kasensors.com
 +44(0)1476 568057

ASUH 4-20mA LOW
 09.19