

BRIGHTTEK

2017 Catalogue



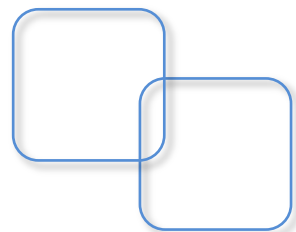
BRIGHTTEK
BRIGHTTEK (EUROPE) LIMITED

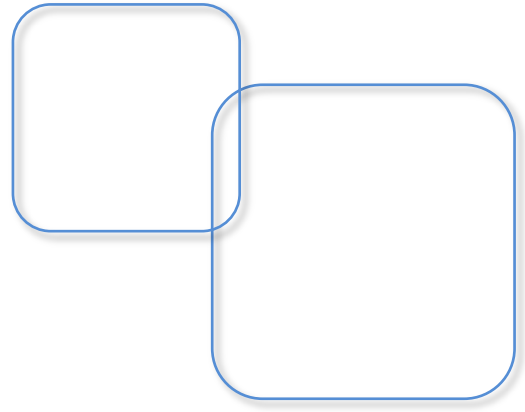


BRIGHTTEK
BRIGHTTEK (EUROPE) LIMITED

Table of Contents

THT Lamp		Ultraviolet (UV)	
- 3mm Round T13	- 5mm Lamp99
- 5mm Round T1 ¼4	- 0603 (1608)100
- Superflux5	- 3020101
Top View SMD		- 3528102
- 0402 (1005)7	- 3528+Lens103
- 0404 (1010)8	- K1104
- 0603 (1608)9-13	- 3535105-106
- 0606 (1615)14-15	- 3939107-109
- 0805 (2012)16-18	- 5252110-112
- 0807 (2018)19	- 6868113-114
- 1206 (3015)20-23	- 9090115
- 1209 (3224)24-25	Infrared (IR)	
- 1210 (3227)26	- 5mm Lamp117
- 161627	- 5mm SMD Lamp118
- 201628-29	- 2421 Lead Frame118
- 212130	- 2520 Lead Frame118
- 283531-32	- 0805119
- 301433-34	- 1206119
- 302035-39	- 1209120
- 352840-44	- 0602SV120
- 3528+Lens45-47	- 1209RV120
- 303048-52	- 3020121
- 3535 PLCC53	- 3528121
- 3535 Ceramic54-56	- 3528+Lens121
- 401457	- K1122
- 5050 PLCC/EMC58-61	- 3030123
- 5050 Ceramic62	- 3535124
- 563063	- 3535 Black125
- 573064	Special Index	
- 702065	- Narrow V/A SMD6
- 5mm SMD Lamp66	- Dual Colour13, 23
- K167-68	- Multi-Colour13, 23
Lead Frame		- EMC LED29, 56
- 242170-74	- Ceramic LED29, 56
- 252075-76	- Power LED29
- 302277	Side View	
- 322878	- 0602SV80-81
Reverse Mount		- 0802SV82
- 1206RV (3216)92	- 1204SV83-88
- 1209RV (3224)93-94	- 2812SV89
- 2421RV95-96	- 3812SV90
- 2520RV97	Reverse Mount	





THT Lamp

THT Lamp

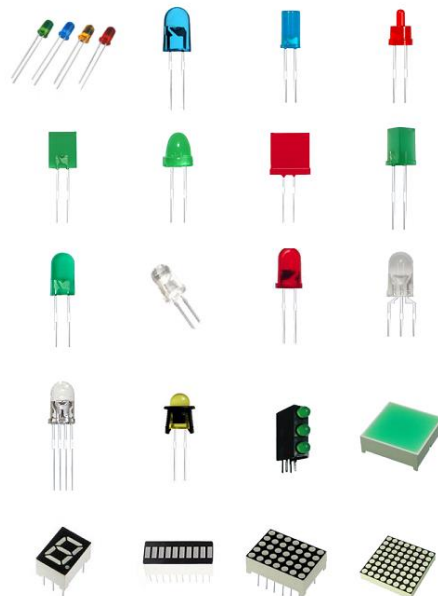
- 3mm Round T13
- 5mm Round T1 ¾4
- Superflux5

For more THT lamps, please visit our website:

www.brighteurope.com

Our services:

- Various viewing angle range
- Different epoxy casting colours:
 - Water clear
 - Colour clear
 - Colour diffused
 - White diffused
- Bulk / taping
- With / without stopper
- Cutting Legs
- Bending Legs
- Customized molding shape



THT LED

3mm Round T1



Features:

- Low Power LED
- Top View
- Various Colour
- Standard Package
- High Efficiency
- Various Viewing Angle

Applications:

- Signal
- 3C Consumer Goods
- Indication Light
- Decoration Lamp
- LED Display

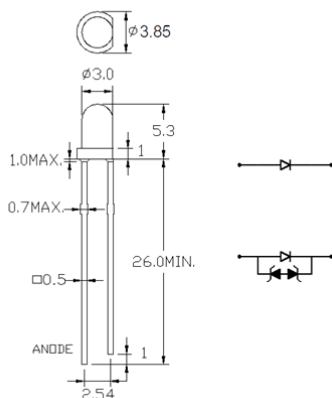
Colour Diffused Electrical & Optical Characteristics

Part Number	Colour	WL (nm)	2 $\theta_{1/2}$ (°)	I _v (mcd)	V _F (V)	I _F (mA)	I _{MAX} (mA)	Casting Colour
NOR00L76	Red	650nm	50	10	2.2	20	25	Red Diffused
NOR12L50	Red	637nm	50	100	1.9	20	25	Red Diffused
NOR33L22	Red	625nm	50	40	2.0	20	25	Orange Diffused
NOR02L57	Red	625nm	50	40	2.0	20	25	Red Diffused
NOA33L24	Amber	605nm	50	35	2.0	20	25	Amber Diffused
NOY00L45	Yellow	590nm	50	30	2.0	20	25	Yellow Diffused
NOG00L44	Green	570nm	50	35	2.2	20	25	Green Diffused
NOB33L33Z	Blue	467nm	50	400	3.1	20	25	Blue Diffused

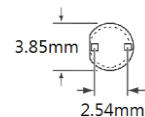
Colour Clear Electrical & Optical Characteristics

Part Number	Colour	WL (nm)	2 $\theta_{1/2}$ (°)	I _v (mcd)	V _F (V)	I _F (mA)	I _{MAX} (mA)	Casting Colour
NOR15L00	Red	650nm	36	15	2.2	20	25	Red Clear
NOR33L29	Red	637nm	36	80	1.9	20	25	Red Clear
NOR33L23	Red	625nm	36	140	2.0	20	25	Orange Clear
NOR33L28	Red	625nm	36	140	2.0	20	25	Red Clear
NOA33L26	Amber	605nm	36	130	2.0	20	25	Amber Clear
NOY33L46	Yellow	590nm	36	120	2.0	20	25	Yellow Clear
NOG33L27	Green	570nm	36	120	2.2	20	25	Green Clear
NOB33L34Z	Blue	467nm	36	2000	3.1	20	25	Blue Clear

Package Dimensions (mm)



Recommended Solder Pattern



THT LED

5mm Round T1 3/4



Features:

- Low Power LED
- Top View
- Various Colour
- Standard Package
- High Efficiency
- Various Viewing Angle

Applications:

- Signal
- 3C Consumer Goods
- Indication Light
- Decoration Lamp
- LED Display

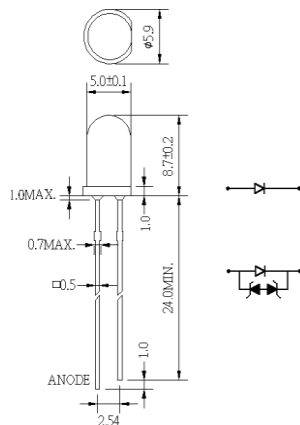
Colour Diffused Electrical & Optical Characteristics

Part Number	Colour	WL (nm)	$2\theta_{1/2}$ (°)	I_V (mcd)	V_F (V)	I_F (mA)	I_{MAX} (mA)	Casting Colour
NOR00L79	Red	650nm	45	4	2.2	20	25	Red Diffused
NOR33L81	Red	637nm	45	100	1.9	20	25	Red Diffused
NOR33L68	Red	625nm	45	60	2.0	20	25	Orange Diffused
NOR01L93	Red	625nm	45	60	2.0	20	25	Red Diffused
NOA33L70	Amber	605nm	45	50	2.0	20	25	Amber Diffused
NOY02L96	Yellow	590nm	45	50	2.0	20	25	Yellow Diffused
NOG01L67	Green	570nm	45	50	2.2	20	25	Green Diffused
NOB25L41Z	Blue	467nm	45	260	3.2	20	25	Blue Diffused

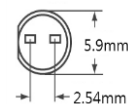
Colour Clear Electrical & Optical Characteristics

Part Number	Colour	WL (nm)	$2\theta_{1/2}$ (°)	I_V (mcd)	V_F (V)	I_F (mA)	I_{MAX} (mA)	Casting Colour
NOR33L80	Red	650nm	16	15	2.2	20	25	Red Clear
NOR33L82	Red	637nm	16	1200	1.9	20	25	Red Clear
NOR33L69	Red	625nm	16	120	2.0	20	25	Orange Clear
NOR33L79	Red	625nm	16	120	2.0	20	25	Red Clear
NOA33L72	Amber	605nm	16	100	2.0	20	25	Amber Clear
NOY33L92	Yellow	590nm	16	100	2.0	20	25	Yellow Clear
NOG19L57	Green	570nm	16	100	2.2	20	25	Green Clear
NOB33L86Z	Blue	467nm	16	2500	3.1	20	25	Blue Clear

Package Dimensions (mm)



Recommended Solder Pattern



THT LED

Superflux 3mm



Features:

- Mid Power LED
- Top View
- Various Colour
- Standard Package
- High Efficiency
- Various Viewing Angle

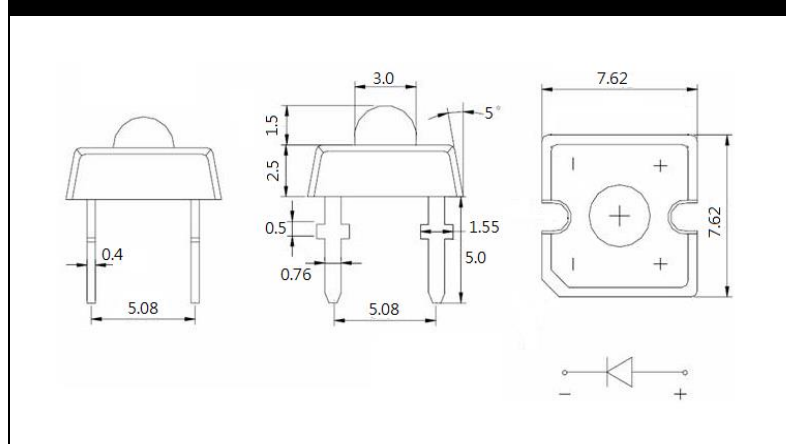
Applications:

- Signal
- Light Strip
- Indication Light
- Decoration Lamp

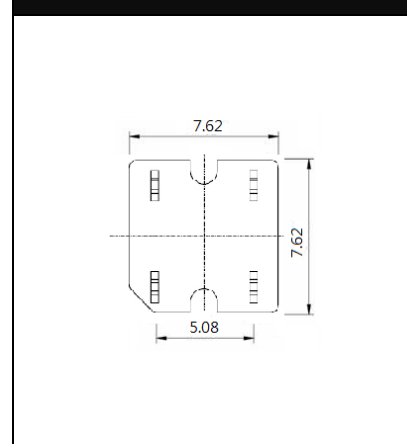
Electrical & Optical Characteristics

Part Number	Colour	WL (nm)	$2\theta_{1/2}$ (°)	Φ_V (lm)	V_F (V)	I_F (mA)	I_{MAX} (mA)	Casting Colour
NOR00P04	Red	625	60	8	2.3	75	80	Water Clear
NOR27P32	Red	625	90	8	2.3	70	75	Water Clear
NOR27P39	Red	625	40	6	2.4	50	70	Water Clear
NOR27P41	Red	625	56	6.3	2.6	70	75	Water Clear
NOY00P06	Yellow	592	60	4.2	2.45	50	60	Water Clear
NOY00P07	Yellow	592	90	10.5	2.2	70	75	Water Clear
NOY00P08	Yellow	592	60	10	2.1	70	75	Water Clear
NOY27P38	Yellow	592	40	6.2	2.2	50	70	Water Clear
NOY27P42	Yellow	588	56	6.3	2.6	70	75	Water Clear
NOG27P37	Green	525	40	6.8	3.4	30	30	Green Clear
NOB27P31	Blue	467	25	1	3.3	30	40	Water Clear

Package Dimensions (mm)



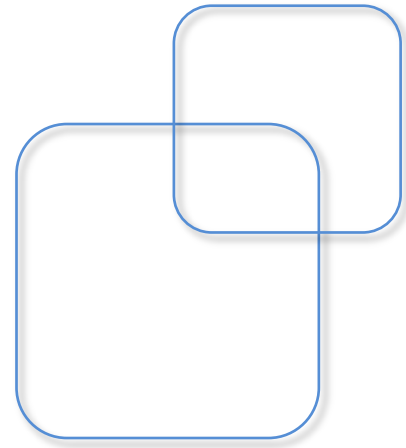
Recommended Solder Pattern



For more superflux, please visit our website:

www.brighteurope.com





Top View SMD

Top View SMD

- 0402 (1005)7
- 0404 (1010)8
- 0603 (1608)9-13
- 0606 (1615)14-15
- 0805 (2012)16-18
- 0807 (2018)19
- 1206 (3015)20-23
- 1209 (3224)24-25
- 1210 (3227)26
- 161627
- 201628-29
- 212130
- 283531-32
- 301433-34
- 302035-39
- 352840-44
- 3528+Lens45-47
- 303048-52
- 3535 PLCC53
- 3535 Ceramic54-56
- 401457
- 5050 PLCC/EMC58-61
- 5050 Ceramic62
- 563063
- 573064
- 702065
- 5mm SMD Lamp66
- K167-68

Narrow Viewing Angle SMD:

V/A 15°

- 1209 (3224)24-25
---------------	------------

V/A 20°

- 2421 Lead Frame70-74
- 2520 Lead Frame75-76

V/A 30°

- 3528+Lens45-47
- 303052
- SMD Lamp66

V/A 40°

- 1206 (3015)20
---------------	---------

V/A 50°

- 0603BF (1608)9
-----------------	--------

V/A 60°

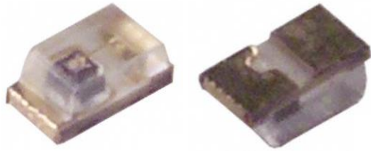
- 1209 (3224)24-25
---------------	------------

V/A 90°

- 303052
--------	---------

PCB / CHIP LED

0402 (1005)



Features:

- Low Power LED
- Top View
- Various Colour
- Ultra Small Package
- 0.5mm High
- Compatible Package
- High Efficiency

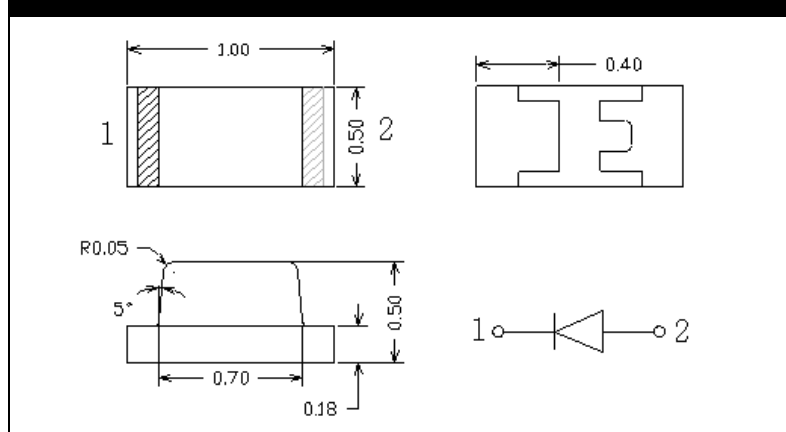
Applications:

- HD Display
- Decorative Lighting
- Indication Lamps
- 3C Consumer Goods

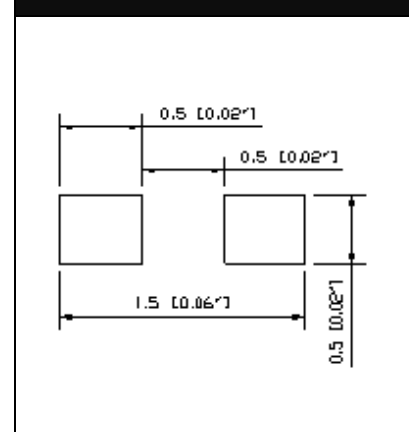
Electrical & Optical Characteristics

Part Number	Colour	WL (nm)	$2\theta_{1/2}$ (°)	I_V (mcd)	V_F (V)	I_F (mA)	I_{MAX} (mA)
NOR21S60	Red	615-630nm	140	110	1.9	5	30
NOY21S61	Yellow	585-595nm	140	94	1.9	5	30
NOG26S71	Green	565-576nm	140	30	2.0	20	30
NOG21S59	Green	520-530nm	140	250	2.6	5	30
NOB21S58	Blue	460-470nm	140	35	2.7	5	30

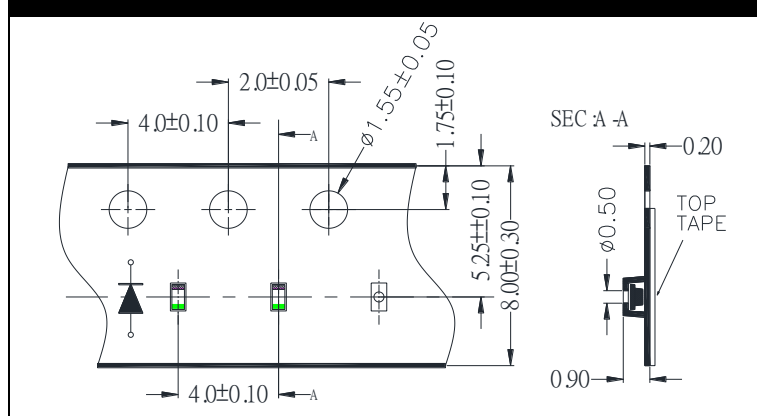
Package Dimensions (mm)



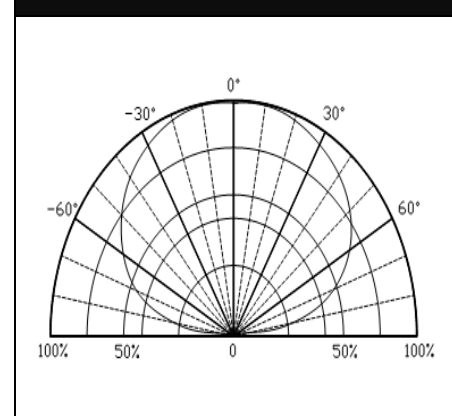
Recommended Solder Pattern



Reel Dimensions (mm)

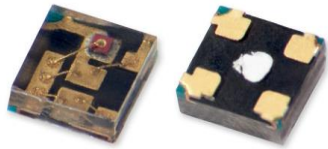


Directive Radiation



PCB / CHIP LED

0404 (1010) RGB



Features:

- Low Power LED
- Top View
- Multi-Colour
- Flat Lens
- Black PCB Material
- Compatible Package
- High Efficiency
- Excellent White Balance

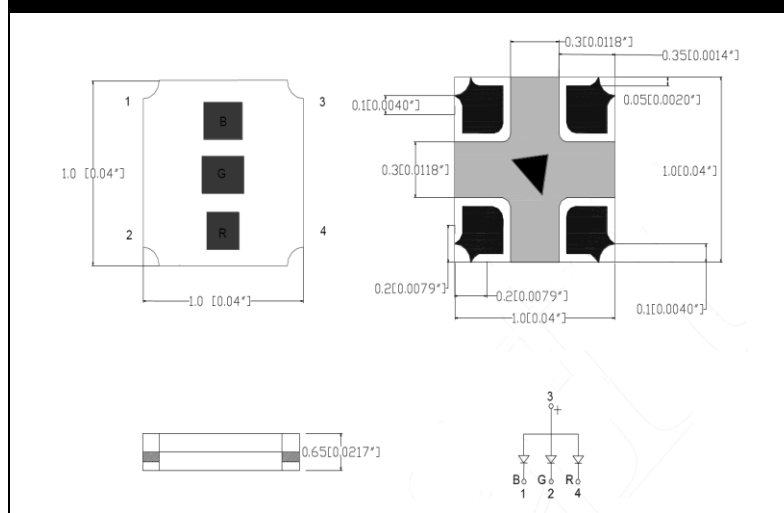
Applications:

- Decorative Lighting
- HD Display
- Indication Lamps
- 3C Consumer Goods

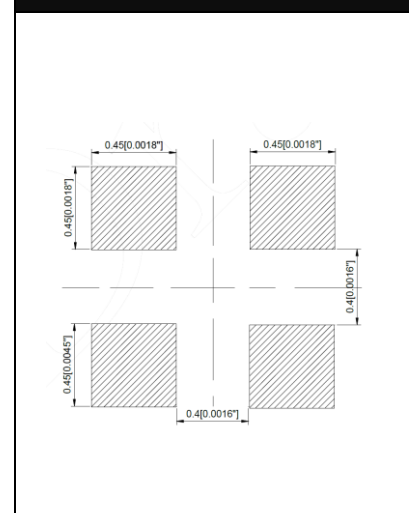
Electrical & Optical Characteristics

Part Number	Colour	WL (nm)	$2\theta_{1/2}$ (°)	I_V (mcd)	V_F (V)	I_F (mA)
NOM12S63	Red/Green/Blue	622/531/470nm	140	60/95/17	2.1/3.1/3.1	10/5/5
NOM12S82	Red/Green/Blue	627/527/463nm	120	150/320/70	1.9/3.2/3.2	20/20/20
NOM00S70	Red/Green/Blue	622/527/470nm	120	150/320/70	1.9/3.2/3.2	20/20/20

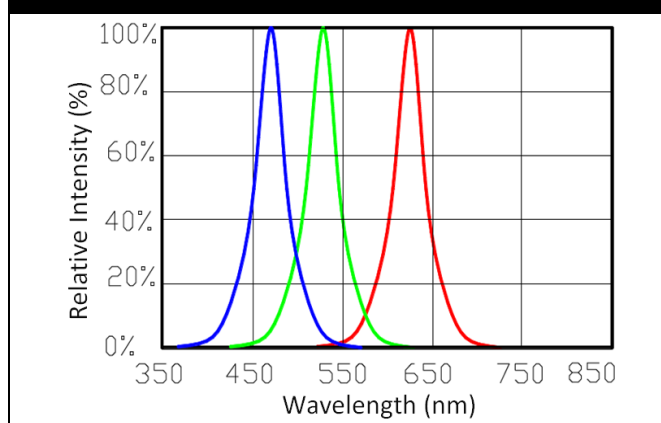
Package Dimensions (mm)



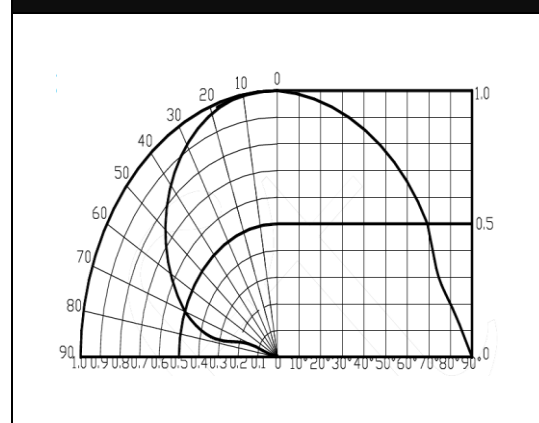
Recommended Solder Pattern



Relative Spectral Distribution



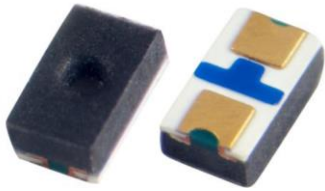
Directive Radiation



PCB / CHIP LED

0603BF (1608)

50°



Features:

- Low Power LED
- Top View
- Narrow Viewing Angle
- No Side Leak Package
- Compatible Package
- High Efficiency

Applications:

- Indication Lamps
- Keyboard Backlight
- 3C Consumer Goods

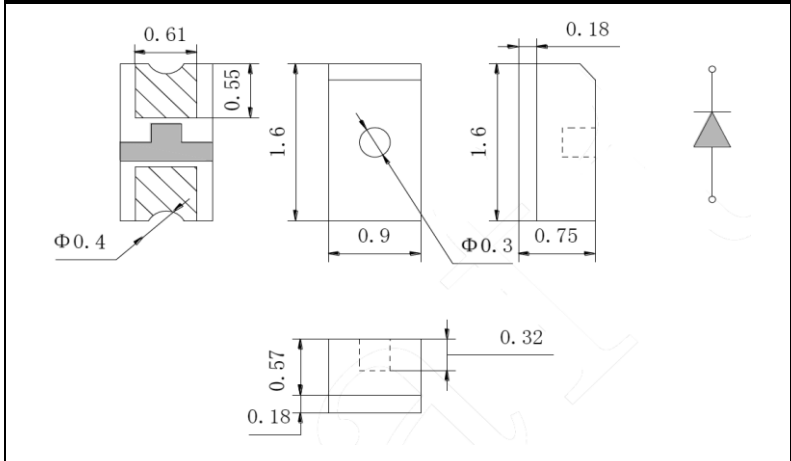
White Electrical & Optical Characteristics

Part Number	Colour	CCT (K)	2θ _{1/2} (°)	I _V (mcd)	V _F (V)	I _F (mA)	I _{MAX} (mA)
NOW14S85BF	Sky White	8300-86500K	50	13	3.0	5	20

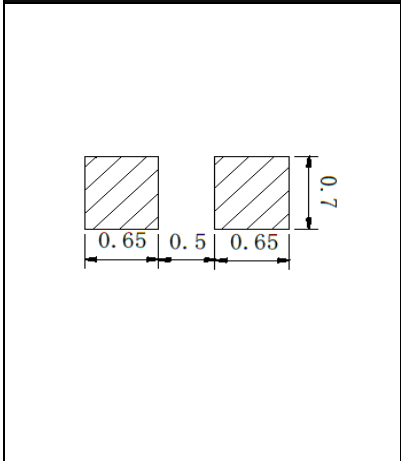
Colour Electrical & Optical Characteristics

Part Number	Colour	WL (nm)	2θ _{1/2} (°)	I _V (mcd)	V _F (V)	I _F (mA)	I _{MAX} (mA)
NOR14S83BF	Red	615-630nm	50	11	1.9	5	20
NOA14S80BF	Amber	600-615nm	50	11	1.9	5	20
NOY14S84BF	Yellow	585-595nm	50	11	1.9	5	20
NOG19S24BF	Green	562-576nm	50	4.5	1.9	5	20
NOB26S70ZBF	Blue	462-473nm	50	10	3.0	5	20

Package Dimensions (mm)



Recommended Solder Pattern



PCB / CHIP LED

0603 (1608) 0.4t



Features:

- Low Power LED
- Top View
- Various Colour
- 0.4mm High
- Compatible Package
- High Efficiency
- High Intensity Output
- Large Emitting Area

Applications:

- Indication Lamps
- Decoration Light
- 3C Consumer Goods
- Backlighting
- Light Strip

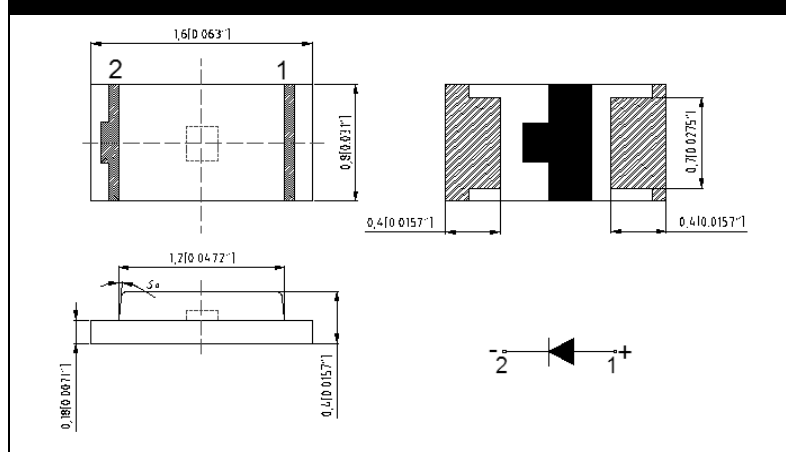
White Electrical & Optical Characteristics

Part Number	Colour	CCT (K)	$2\theta_{1/2}$ (°)	I_V (mcd)	V_F (V)	I_F (mA)	I_{MAX} (mA)
N0W04S84	Sky White	6500-12000K	140	125	3.1	5	30

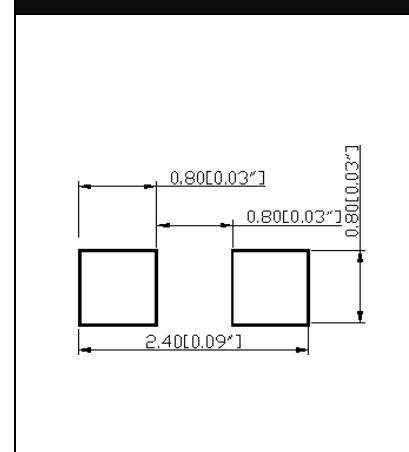
Colour Electrical & Optical Characteristics

Part Number	Colour	WL (nm)	$2\theta_{1/2}$ (°)	I_V (mcd)	V_F (V)	I_F (mA)	I_{MAX} (mA)
NOR08S67	Red	620-630nm	140	150	2.0	20	30
NOA12S91	Amber	597-612nm	140	120	2.1	20	30
NOY12S94	Yellow	585-595nm	125	125	2.1	20	30
NOG12S99	Green	565-576nm	140	10	2.2	20	30
NOG04S88	Green	565-576nm	140	30	2.2	20	30
NOG03S25	Green	520-533nm	140	400	3.1	20	30
NOB12S64	Blue	465-475nm	140	125	3.1	20	30

Package Dimensions (mm)



Recommended Solder Pattern



PCB / CHIP LED

0603 (1608) 0.6t



Features:

- Low Power LED
- Top View
- Various Colour
- 0.6mm High
- Compatible Package
- High Efficiency
- High Intensity Output
- Large Emitting Area

Applications:

- Indication Lamps
- Decoration Light
- 3C Consumer Goods
- Backlighting
- Light Strip

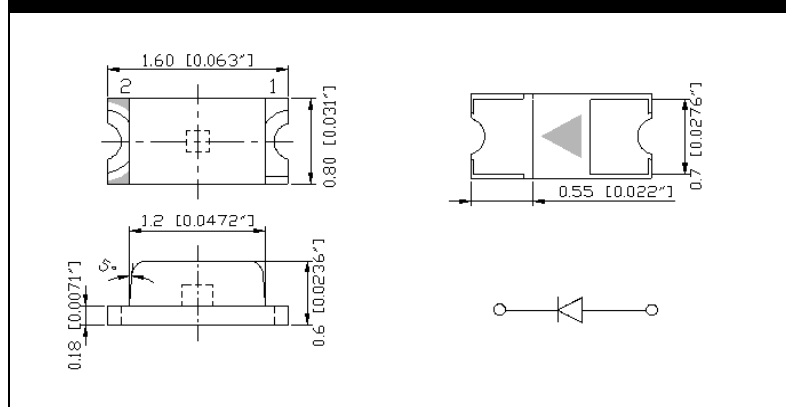
White Electrical & Optical Characteristics

Part Number	Colour	CCT (K)	$2\theta_{1/2}$ (°)	I_V (mcd)	V_F (V)	I_F (mA)	I_{MAX} (mA)
NOW07S12	Sky White	6500-12000K	140	450	3.1	20	30
NOW05S29	Sky White	6500-12000K	140	750	3.1	20	30

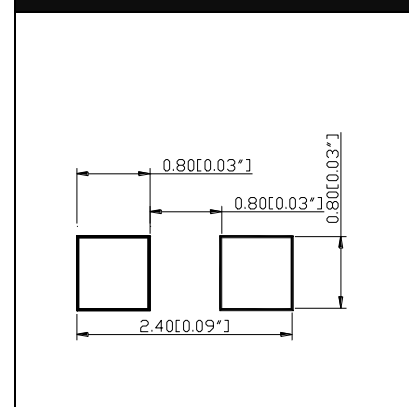
Colour Electrical & Optical Characteristics

Part Number	Colour	WL (nm)	$2\theta_{1/2}$ (°)	I_V (mcd)	V_F (V)	I_F (mA)	I_{MAX} (mA)
NOR01S24	Red	635-650nm	140	80	2.2	20	30
NOR10S13	Red	630-650nm	140	12	2.2	20	30
NOR05S27	Red	620-630nm	140	150	2	20	30
NOR06S87	Red	620-630nm	125	350	2	20	30
NOA04S79	Amber	600-610nm	140	120	2.1	20	30
NOY12S84	Yellow	585-595nm	140	150	2.2	20	30
NOG05S23	Green	565-576nm	140	10	2.2	20	30
NOG04S80	Green	565-576nm	140	50	2	20	30
NOG12S86	Green	520-535nm	140	400	3.1	20	30
NOG00S11	Green	520-533nm	140	650	3.1	20	30
NOB05S22	Blue	465-475nm	125	90	3.1	20	30

Package Dimensions (mm)



Recommended Solder Pattern



PCB / CHIP LED

0603 (1608) 0.8t



Features:

- Low Power LED
- Top View
- Various Colour
- 0.8mm High
- Compatible Package
- High Efficiency
- High Intensity Output
- Large Emitting Area







Applications:

- Indication Lamps
- Decoration Light
- 3C Consumer Goods
- Backlighting
- Light Strip

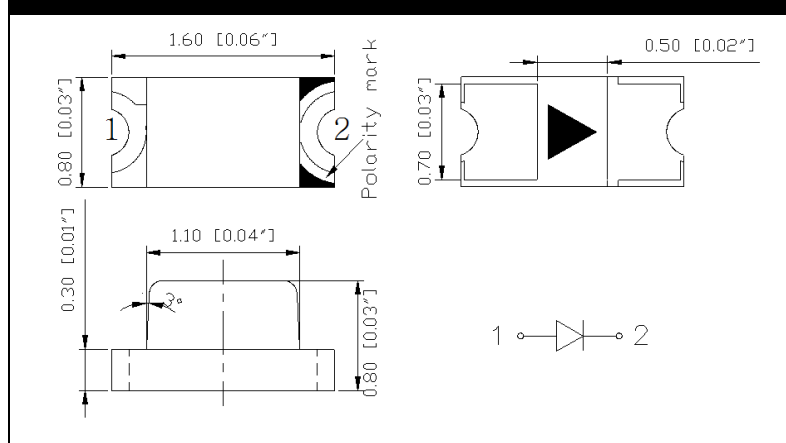
White Electrical & Optical Characteristics

Part Number	Colour	CCT (K)	$2\theta_{1/2}$ (°)	I_V (mcd)	V_F (V)	I_F (mA)	I_{MAX} (mA)
NOW11S57	Sky White	5600-46500K	140	390	3.1	20	30

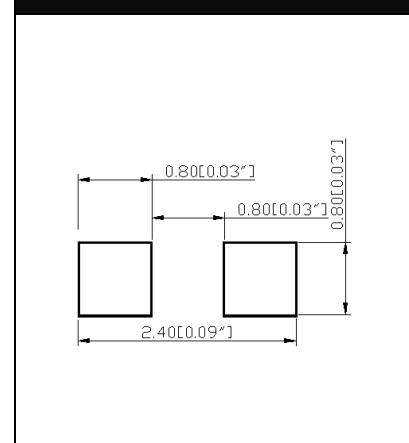
Colour Electrical & Optical Characteristics

Part Number	Colour	WL (nm)	$2\theta_{1/2}$ (°)	I_V (mcd)	V_F (V)	I_F (mA)	I_{MAX} (mA)
NOR11S56	Red 	625-635nm	140	100	2.0	20	30
NOR11S55	Red 	615-630nm	140	165	2.1	20	30
NOY11S58	Yellow 	585-595nm	140	150	2.0	20	30
NOG11S53	Green 	565-576nm	140	40	2.0	20	30
NOG11S54	Green 	520-530nm	140	450	3.2	20	30
NOB11S52	Blue 	455-465nm	140	50	3.1	20	30

Package Dimensions (mm)



Recommended Solder Pattern



PCB / CHIP LED

0603 (1608) Dual Colours






Features:

- Low Power LED
- Top View
- Dual Colours
- Compatible Package
- High Efficiency
- High Intensity Output
- Large Emitting Area
- 4 Soldering Pins

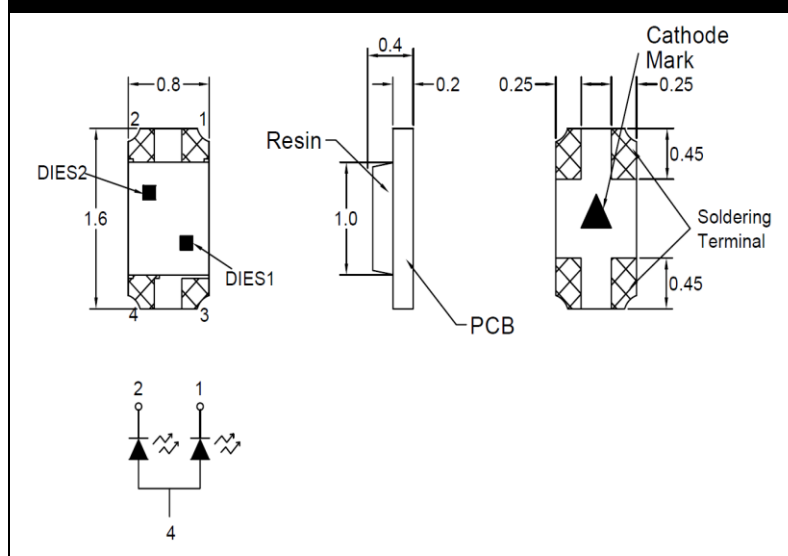
Applications:

- Indication Lamps
- Decoration Light
- 3C Consumer Goods
- Light Strip

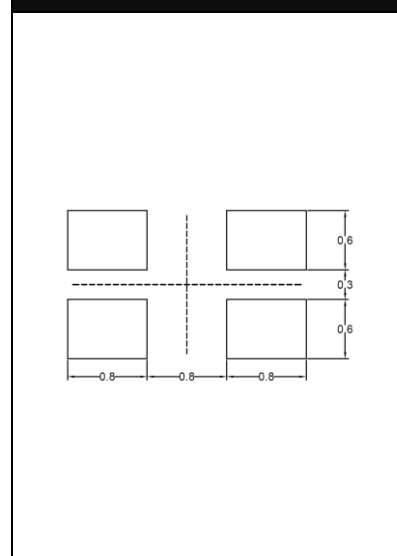
Electrical & Optical Characteristics

Part Number	Colour	CCT (K) / WL (nm)	$2\theta_{1/2}$ (°)	I_V (mcd)	V_F (V)	I_F (mA)
N0D25S60	Sky White/Red 	9000K/530nm	130	500/50	3.2/2.4	20/20
N0D25S59	Red/Green 	630/574nm	130	80/50	1.9/2.0	20/20
N0D25S58	Red/Blue 	630/470nm	130	50/32	2.1/3.5	20/20

Package Dimensions (mm)



Recommended Solder Pattern



Dual Colour Packages Index:

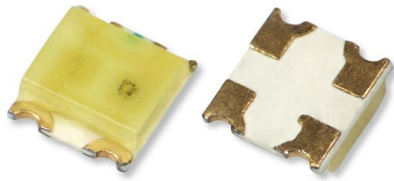
- 0603 (1608)13
- 0606 (1615)14
- 0805 (2012)18
- 0807 (2018)19
- 1206 (3015)23
- 1209 (3224)25
- 1210 (3227)26
- 352843-44

Multi Colour Packages Index:

- 0404 (1010)8
- 0606 (1615)15
- 0805 (2012)18
- 0807 (2018)19
- 1209 (3224)25
- 1210 (3227)26
- 212130
- 352843-44
- 353553
- 505059-60

PCB / CHIP LED

0606 (1615) Dual Colours



Features:

- Low Power LED
- Top View
- Dual Colours
- Compatible Package
- High Efficiency
- High Intensity Output
- Large Emitting Area
- 4 Soldering Pins

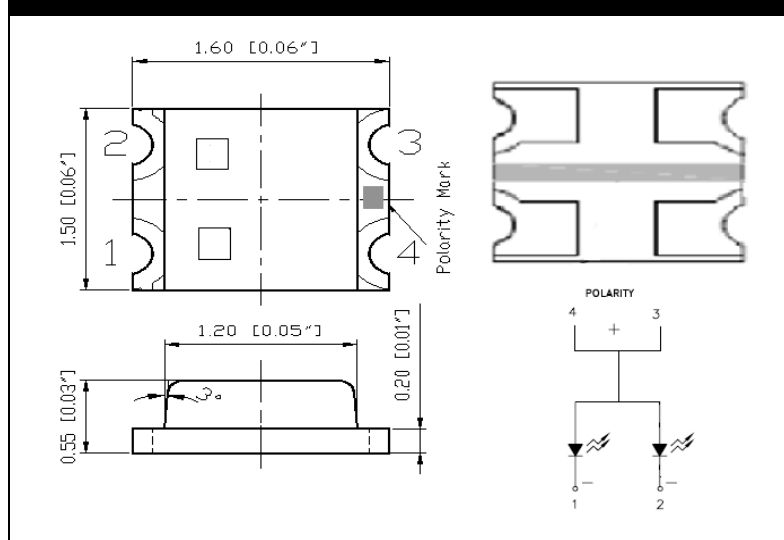
Applications:

- Indication Lamps
- Decoration Light
- 3C Consumer Goods
- Backlighting
- Light Strip

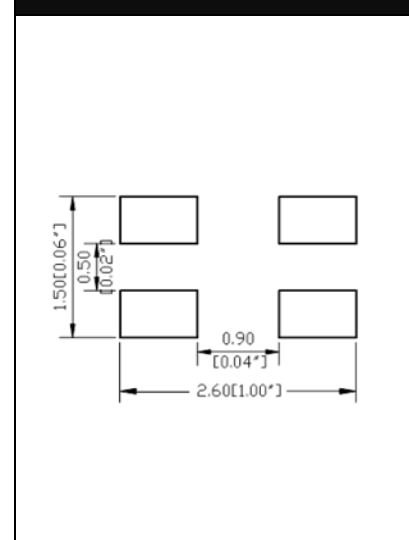
Electrical & Optical Characteristics

Part Number	Colour	CCT (K) / WL (nm)	$2\theta_{1/2}$ (°)	I_V (mcd)	V_F (V)	I_F (mA)
NOD19S26	Cool White/Amber	6000K/605nm	140	25/180	2.0/3.0	5/5
NOD19S31	Sky White/Yellow	13000K/590nm	140	50/110	2.1/2.9	5/5
NOD11S93	Red/Green	630/525nm	140	100/420	2.0/3.2	20/20
NOD25S61	Red/Green	630/574nm	130	80/50	1.8/1.9	20/20
NOD01S79	Red/Green	622/570nm	140	125/55	1.9/1.9	20/20
NOD11S92	Red/Green	620/570nm	140	150/35	2.0/2.0	20/20
NOD19S28	Red/Green	622/527nm	140	150/400	2.0/3.2	20/20
NOD25S62	Red/Blue	630/470nm	120	80/180	1.8/3.2	20/20
NOD19S29	Red/Blue	625/470nm	140	25/25	1.7/2.9	5/5
NOD11S80	Red/Blue	622/465nm	140	150/55	2.0/3.2	20/20
NOD05S32	Yellow/Green	590/570nm	140	95/30	2.0/2.0	20/20
NOD19S30	Yellow/Blue	590/470nm	140	35/36	2.0/2.8	5/5
NOD19S27	Green/Blue	525/470nm	140	330/60	3.1/3.3	10/10

Package Dimensions (mm)



Recommended Solder Pattern



PCB / CHIP LED

0606 (1615) RGB









Features:

- Low Power LED
- Top View
- Multi Colours
- Compatible Package
- High Efficiency
- High Lumen Output
- Large Emitting Area
- 4 Soldering Pins

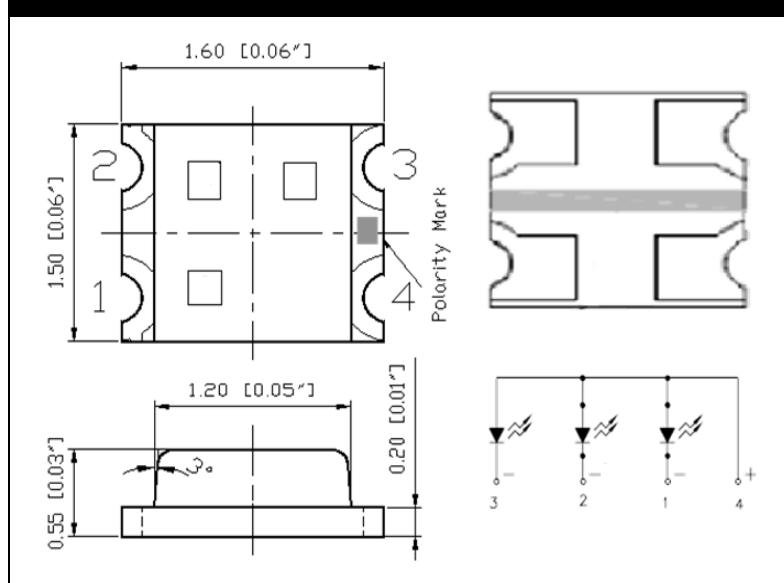
Applications:

- Indication Lamps
- Decoration Light
- 3C Consumer Goods
- Backlighting
- Light Strip

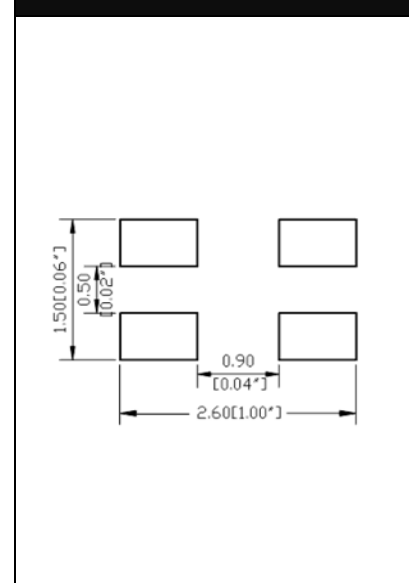
Electrical & Optical Characteristics

Part Number	Colour	WL (nm)	$2\theta_{1/2}$ (°)	I_V (mcd)	V_F (V)	I_F (mA)
NOM16S65	Red/Green/Blue 	620/570/467nm	140	42/11/37	1.9/1.9/2.8	5/5/5
NOM01S15	Red/Green/Blue 	625/530/470nm	140	45/200/35	2.0/3.0/2.9	5/5/5
NOM00S03	Red/Green/Blue 	623/523/465nm	120	130/390/40	2.1/3.0/3.0	20/15/10
NOM11S81	Red/Green/Blue 	620/520/470nm	140	125/380/75	2.0/3.4/3.1	20/20/20
NOM25S63	Red/Green/Blue 	625/525/470nm	140	140/450/220	2.1/3.2/3.2	20/20/20
NOM11S82	Red/Yellow/Green 	640/590/570nm	140	60/150/12	2.0/2.0/2.0	20/20/20

Package Dimensions (mm)

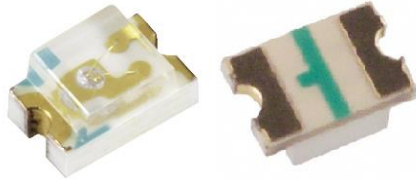


Recommended Solder Pattern



PCB / CHIP LED

0805 (2012) 0.8t



Features:

- Low Power LED
- Top View
- Various Colour
- Compatible Package
- High Efficiency
- High Intensity Output
- Large Emitting Area

Applications:

- Indication Lamps
- Decoration Light
- 3C Consumer Goods
- Backlighting
- Light Strip

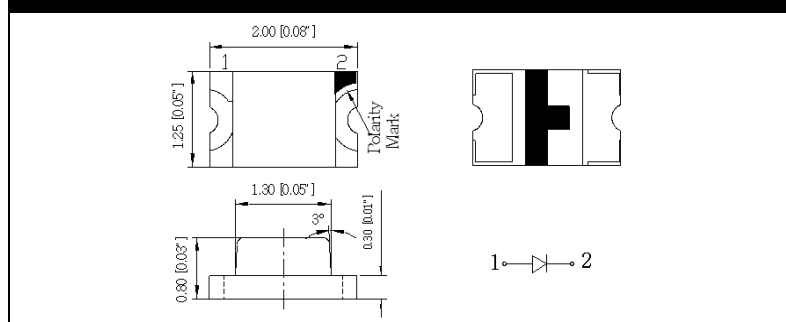
White Electrical & Optical Characteristics

Part Number	Colour	CCT (K)	$2\theta_{1/2}$ (°)	I_V (mcd)	V_F (V)	I_F (mA)	I_{MAX} (mA)
NOW10S52	Sky White	5600-46500K	140	390	3.1	20	30
NOW02S38	Cool White	4300-24000K	130	600	3.1	20	30

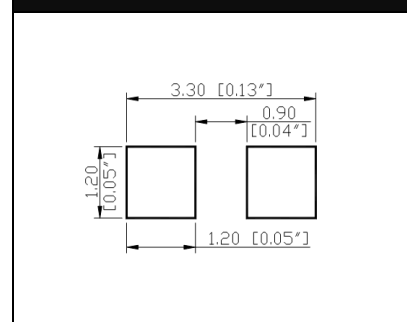
Colour Electrical & Optical Characteristics

Part Number	Colour	WL (nm)	$2\theta_{1/2}$ (°)	I_V (mcd)	V_F (V)	I_F (mA)	I_{MAX} (mA)
NOR10S51	Red	625-635nm	140	110	2.0	20	30
NOR01S15	Red	620-630nm	140	500	2.0	20	30
NOR10S50	Red	615-630nm	140	170	2.0	20	30
NOR18S54	Red	615-630nm	140	400	2.0	20	30
NOR01S95	Red	615-630nm	130	150	2.1	20	30
NOY02S10	Yellow	586-596nm	130	100	2.1	20	30
NOY10S53	Yellow	585-595nm	140	150	2.0	20	30
NOY01S17	Yellow	585-595nm	140	470	2.0	20	30
NOG02S09	Yellow	568-576nm	130	65	2.1	20	30
NOG18S88	Green	566-576nm	140	10	1.9	20	25
NOG10S48	Green	565-576nm	140	40	2.0	20	30
NOG10S40	Green	520-532nm	130	600	3.2	20	30
NOG01S16	Green	520-530nm	140	1100	3.2	20	30
NOG10S49	Green	520-530nm	140	450	3.2	20	30
NOB10S47	Blue	465-475nm	140	120	3.1	20	30
NOB00S92	Blue	465-475nm	120	72	3.1	20	30
NOB01S14	Blue	460-470nm	140	150	3.0	20	30

Package Dimensions (mm)

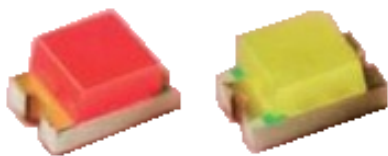


Recommended Solder Pattern



PCB / CHIP LED

0805 (2012) 1.1t



Features:

- Low Power LED
- Top View
- Various Colour
- Clear Lens / Diffused Lens
- Compatible Package
- High Efficiency
- High Intensity Output
- Large Emitting Area







Applications:

- Indication Lamps
- Decoration Light
- 3C Consumer Goods
- Backlighting
- Light Strip




White Electrical & Optical Characteristics

Part Number	Colour	CCT (K)	$2\theta_{1/2}$ (°)	I_V (mcd)	V_F (V)	I_F (mA)	I_{MAX} (mA)
NOW10S45	Sky White	5600-46500K	140	270	3.1	20	30
NOW11S06	Cool White	5100-19500K	140	230	3.0	20	30
NOW11S05	Natural White	4200-5300K	140	140	2.9	20	30
NOW11S04	Warm White	1800-3100K	140	190	2.8	20	30

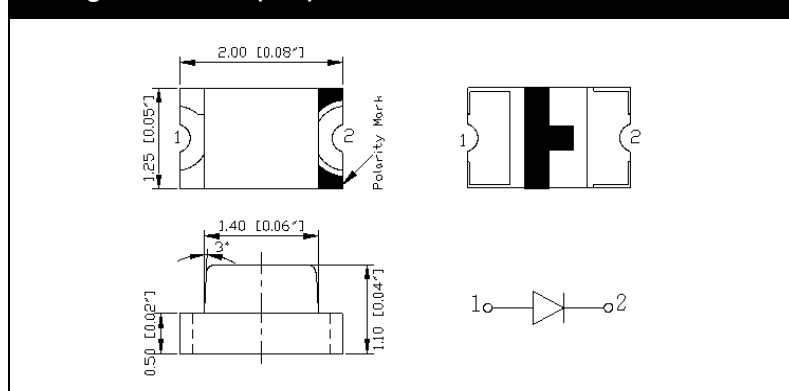
Colour Electrical & Optical Characteristics - Water Clear Lens

Part Number	Colour	WL (nm)	$2\theta_{1/2}$ (°)	I_V (mcd)	V_F (V)	I_F (mA)	I_{MAX} (mA)
NOR10S44	Red 	625-635nm	140	110	2.0	20	30
NOR10S43	Red 	615-630nm	140	170	2.0	20	30
NOY10S46	Yellow 	585-595nm	140	150	2.1	20	30
NOG10S42	Green 	565-576nm	140	35	2.0	20	30
NOG10S37	Green 	520-530nm	140	450	3.2	20	30
NOB10S41	Blue 	465-475nm	140	120	3.1	20	30

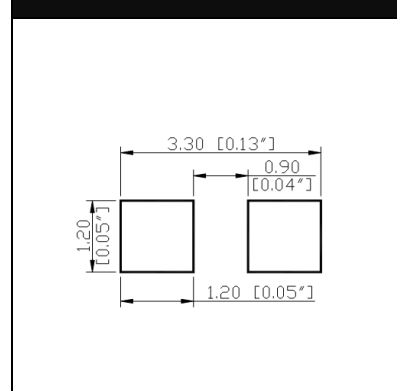
Colour Electrical & Optical Characteristics - Colour Diffused Lens

Part Number	Colour	WL (nm)	$2\theta_{1/2}$ (°)	I_V (mcd)	V_F (V)	I_F (mA)	I_{MAX} (mA)
NOR17S64P	Red 	615-630nm	140	9	2.0	20	30
NOY17S65P	Yellow 	585-595nm	140	5.5	2.0	20	30
NOG17S63P	Green 	565-576nm	140	12.5	2.2	20	30

Package Dimensions (mm)



Recommended Solder Pattern



PCB / CHIP LED

0805 (2012) Dual Colours / RGB



Features:

- Low Power LED
- Top View
- Dual Colours / RGB
- Compatible Package
- High Efficiency
- High Intensity Output
- Large Emitting Area
- 4 Soldering Pins

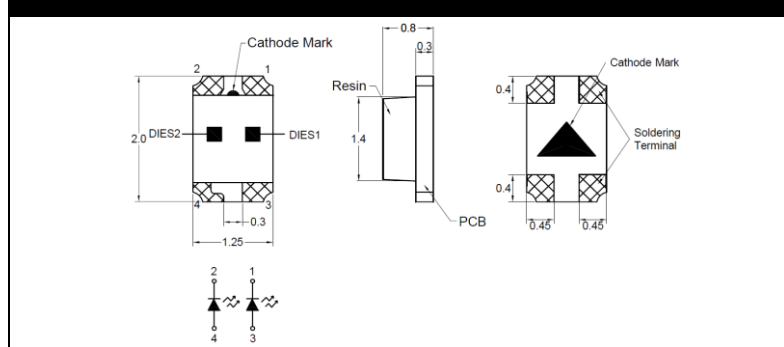
Applications:

- Indication Lamps
- Decoration Light
- 3C Consumer Goods
- Light Strip

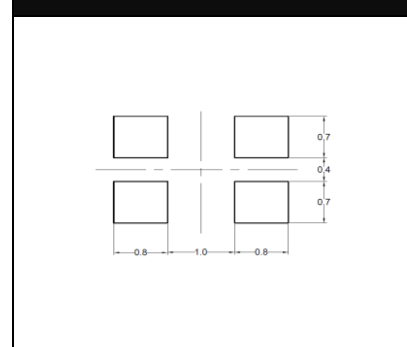
Dual Colours Electrical & Optical Characteristics

Part Number	Colour	CCT (K) / WL (nm)	$2\theta_{1/2}$ (°)	I_V (mcd)	V_F (V)	I_F (mA)
N0D25S66	Cool White/Red	5300K/630nm	120	370/65	3.2/1.9	20/20
N0D25S64	Red/Green	630/574nm	140	60/50	1.8/1.9	20/20
N0D17S24	Red/Green	620/570nm	140	140/40	2.0/2.0	20/20
N0D25S65	Red/Blue	630/470nm	130	60/60	1.9/3.5	20/20

Package Dimensions (mm)



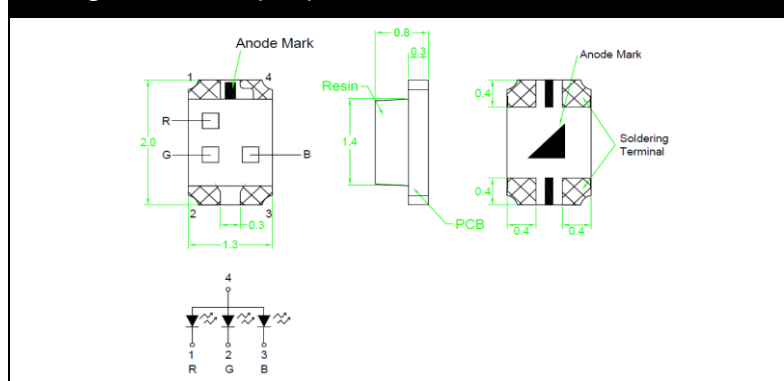
Recommended Solder Pattern



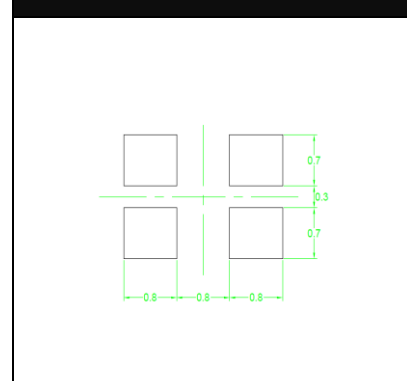
RGB Electrical & Optical Characteristics

Part Number	Colour	WL (nm)	$2\theta_{1/2}$ (°)	I_V (mcd)	V_F (V)	I_F (mA)
N0M25S67	Red/Green/Blue	630/525/470nm	120	100/500/125	1.9/3.2/3.2	20/20/20

Package Dimensions (mm)



Recommended Solder Pattern



PCB / CHIP LED

0807 (2018) Dual Colours / RGB




Features:

- Low Power LED
- Top View
- Dual Colours / RGB
- Compatible Package
- High Efficiency
- High Intensity Output
- Large Emitting Area
- 4 Soldering Pins

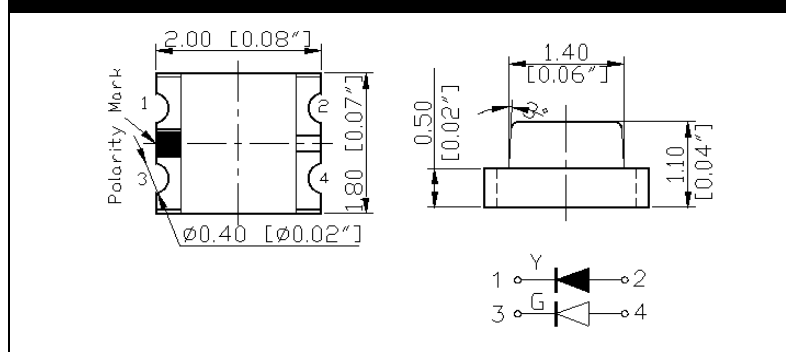
Applications:

- Indication Lamps
- Decoration Light
- 3C Consumer Goods
- Light Strip

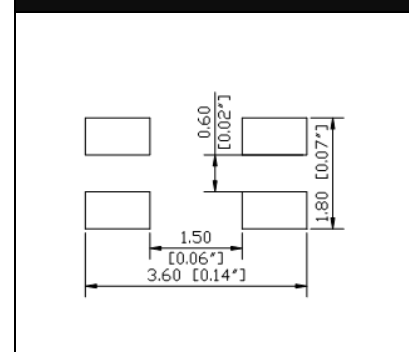
Dual Colours Electrical & Optical Characteristics

Part Number	Colour	WL (nm)	$2\theta_{1/2}$ (°)	I_V (mcd)	V_F (V)	I_F (mA)
N0D11S83	Yellow/Green 	590/570nm	140	170/45	2.0/2.0	20/20


Package Dimensions (mm)



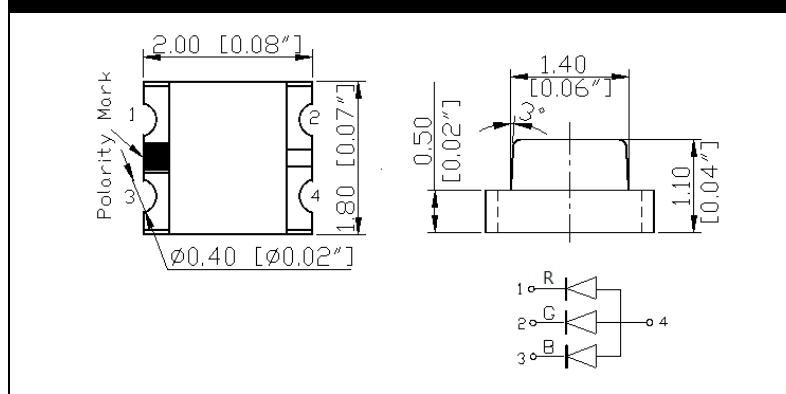
Recommended Solder Pattern



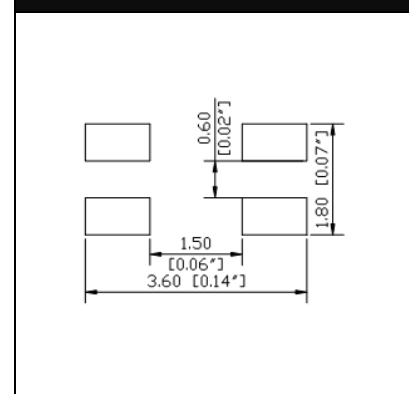
RGB Electrical & Optical Characteristics

Part Number	Colour	WL (nm)	$2\theta_{1/2}$ (°)	I_V (mcd)	V_F (V)	I_F (mA)
NOM11S84	Red/Green/Blue 	620/525/470nm	140	150/540/95	2.0/3.1/3.1	20/20/20

Package Dimensions (mm)



Recommended Solder Pattern



PCB / CHIP LED

1206 (3015)

40°



Features:

- Low Power LED
- Top View
- Various Colours
- Narrow Viewing Angle
- Compatible Package
- High Efficiency
- High Intensity Output

Applications:

- Indication Lamps
- Decoration Light
- 3C Consumer Goods
- Light Strip

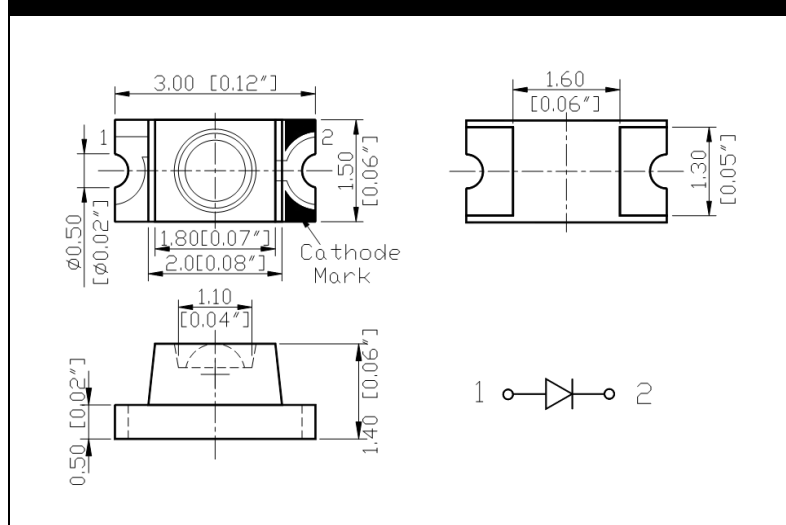
White Electrical & Optical Characteristics

Part Number	Colour	CCT (K)	$2\theta_{1/2}$ (°)	I_V (mcd)	V_F (V)	I_F (mA)	I_{MAX} (mA)
NOW11S02	Sky White	5600-46500K	165	320	3.2	20	30

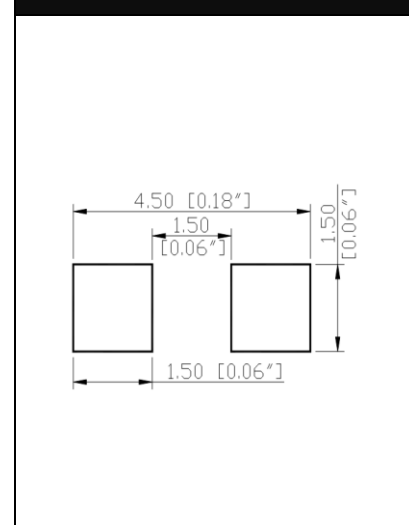
Colour Electrical & Optical Characteristics

Part Number	Colour	WL (nm)	$2\theta_{1/2}$ (°)	I_V (mcd)	V_F (V)	I_F (mA)	I_{MAX} (mA)
NOR11S01	Red	620-635nm	40	450	2.0	20	30
NOR11S00	Red	615-630nm	40	600	2.0	20	30
NOR24S32	Red	615-630nm	40	1900	2.0	20	30
NOY11S03	Yellow	585-595nm	40	660	2.0	20	30
NOG10S99	Green	565-576nm	40	150	2.2	20	30
NOG24S31	Green	565-576nm	40	260	2.0	20	30
NOG17S00	Green	520-530nm	40	2500	3.1	20	30
NOB10S98	Blue	465-475nm	40	430	3.2	20	30
NOB24S30	Blue	460-470nm	40	790	3.0	20	30

Package Dimensions (mm)



Recommended Solder Pattern



PCB / CHIP LED

1206 (3216) 0.8t









Features:

- Low Power LED
- Top View
- Various Colour
- Compatible Package
- High Efficiency
- High Intensity Output
- Large Emitting Area

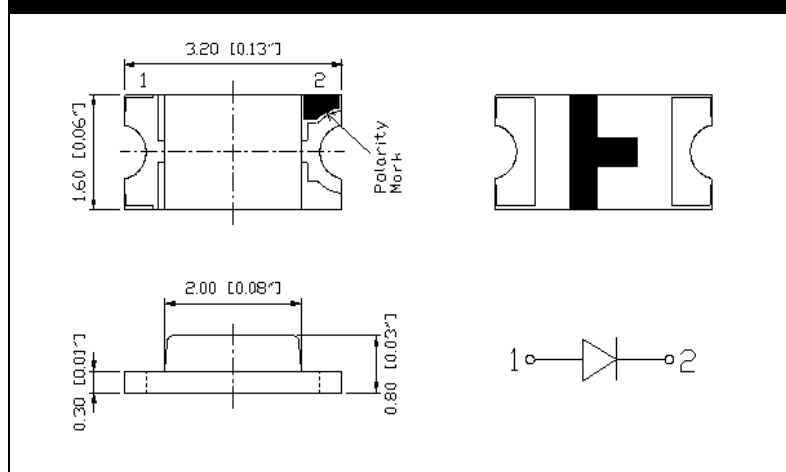
Applications:

- Indication Lamps
- Decoration Light
- 3C Consumer Goods
- Light Strip

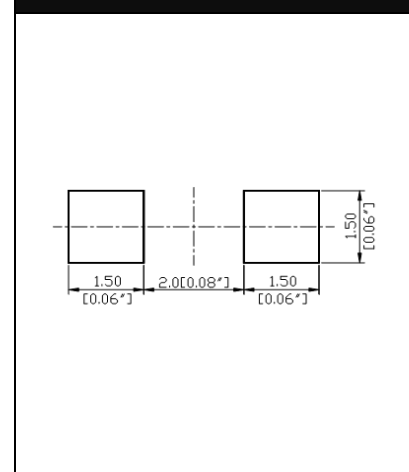
Electrical & Optical Characteristics

Part Number	Colour	WL (nm)	$2\theta_{1/2}$ (°)	I_V (mcd)	V_F (V)	I_F (mA)	I_{MAX} (mA)
NOR11S22	Red 	625-635nm	140	110	2.0	20	30
NOR11S21	Red 	615-630nm	140	170	2.0	20	30
NOY11S23	Yellow 	585-595nm	140	150	2.0	20	30
NOG11S19	Green 	565-576nm	140	45	2.0	20	30
NOG11S20	Green 	520-530nm	140	540	3.2	20	30
NOB11S18	Blue 	460-470nm	140	130	3.2	20	30

Package Dimensions (mm)



Recommended Solder Pattern



PCB / CHIP LED

1206 (3216) 1.1t



Features:

- Low Power LED
- Top View
- Various Colour
- Compatible Package
- High Efficiency
- High Intensity Output
- Large Emitting Area







Applications:

- Indication Lamps
- Decoration Light
- 3C Consumer Goods
- Light Strip

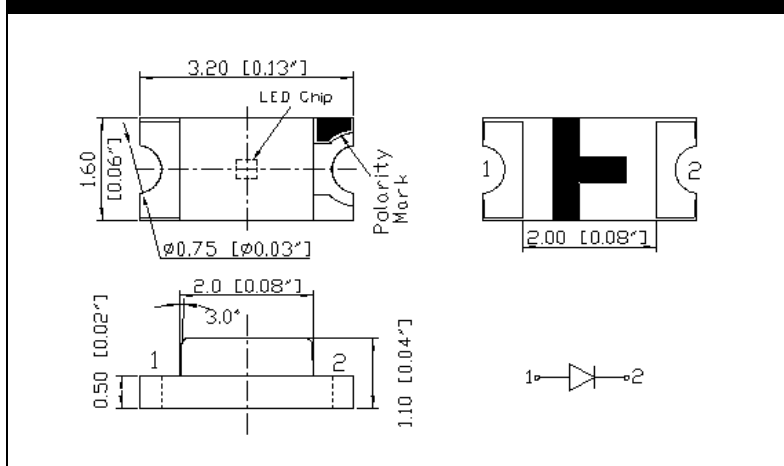
White Electrical & Optical Characteristics

Part Number	Colour	CCT (K)	$2\theta_{1/2}$ (°)	I_V (mcd)	V_F (V)	I_F (mA)	I_{MAX} (mA)
NOW11S16	Sky White	5600-46500K	140	440	3.2	20	30

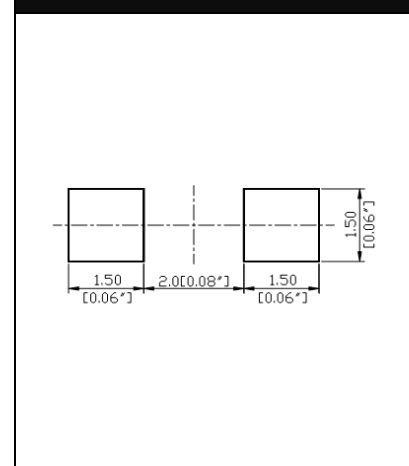
Colour Electrical & Optical Characteristics

Part Number	Colour	WL (nm)	$2\theta_{1/2}$ (°)	I_V (mcd)	V_F (V)	I_F (mA)	I_{MAX} (mA)
NOR11S15	Red 	625-635nm	140	110	2.1	20	30
NOR11S14	Red 	615-630nm	140	170	2	20	30
NOA24S29	Amber 	600-610nm	140	130	2.1	20	30
NOY11S17	Yellow 	585-595nm	140	150	2	20	30
NOG11S09	Green 	565-576nm	140	45	2.2	20	30
NOG17S90	Green 	565-576nm	140	60	2.1	20	30
NOG11S10	Green 	520-530nm	140	500	3.2	20	30
NOB17S89	Blue 	465-475nm	140	120	3.1	20	30
NOB11S08	Blue 	455-465nm	140	55	3.2	20	30

Package Dimensions (mm)



Recommended Solder Pattern



PCB / CHIP LED

1206 (3216) Dual Colours






Features:

- Low Power LED
- Top View
- Dual Colours
- Compatible Package
- High Efficiency
- High Intensity Output
- Large Emitting Area
- 4 Soldering Pins

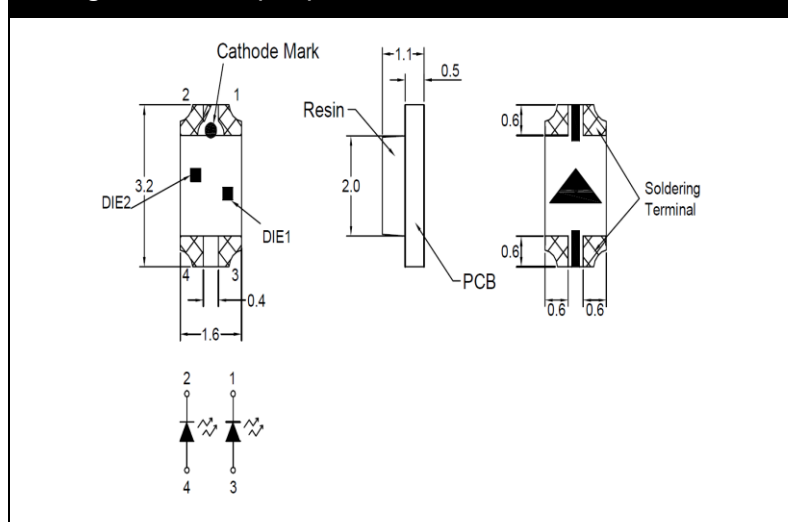
Applications:

- Indication Lamps
- Decoration Light
- 3C Consumer Goods
- Light Strip

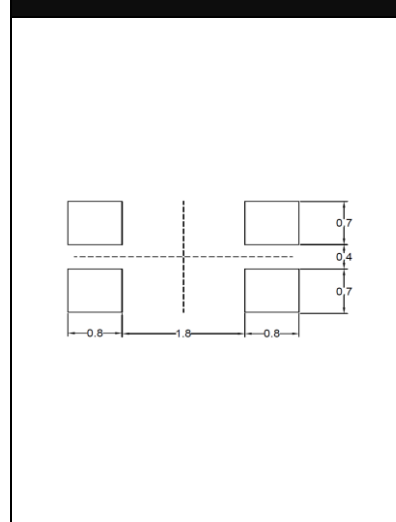
Electrical & Optical Characteristics

Part Number	Colour	CCT (K) / WL (nm)	$2\theta_{1/2}$ (°)	I_V (mcd)	V_F (V)	I_F (mA)
N0D25S68	Sky White/Amber 	8100K/605nm	140	850/210	3.2/2.1	20/20
N0D25S70	Red/Green 	630/574nm	140	80/32	1.9/2.0	20/20
N0D25S69	Red/Blue 	630/470nm	140	60/80	1.9/3.2	20/20

Package Dimensions (mm)



Recommended Solder Pattern



Dual Colour Packages Index:

- 0603 (1608)13
- 0606 (1615)14
- 0805 (2012)18
- 0807 (2018)19
- 1206 (3015)23
- 1209 (3224)25
- 1210 (3227)26
- 352843-44

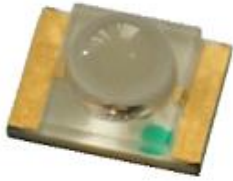
Multi Colour Packages Index:

- 0404 (1010)8
- 0606 (1615)15
- 0805 (2012)18
- 0807 (2018)19
- 1209 (3224)25
- 1210 (3227)26
- 212130
- 352843-44
- 353553
- 505059

PCB / CHIP LED

1209 (3224)

15°



Features:

- Low Power LED
- Top View
- Narrow Viewing Angle
- Various Colours
- Compatible Package
- High Efficiency
- High Intensity Output

Applications:

- Indication Lamps
- Decoration Light
- 3C Consumer Goods
- Light Strip

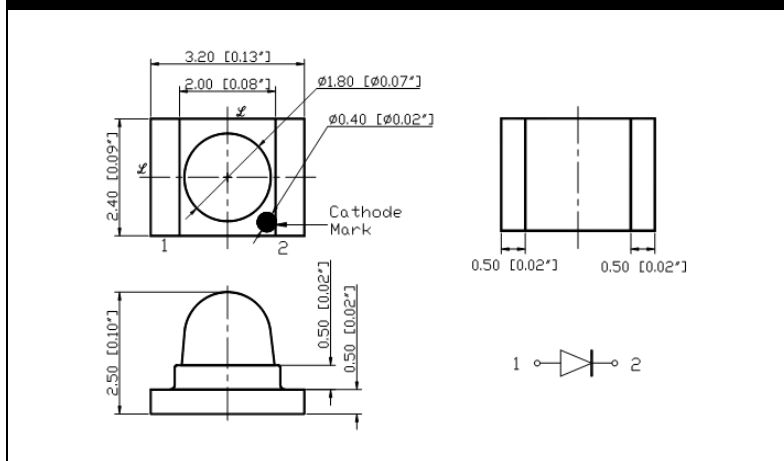
White Electrical & Optical Characteristics

Part Number	Colour	CCT (K)	$2\theta_{1/2}$ (°)	I_V (mcd)	V_F (V)	I_F (mA)	I_{MAX} (mA)
NOW10S62	Sky White	5600-46500K	130	140	3.1	20	30
NOW16S94	Sky White	5600-46500K	130	280	3.0	20	30

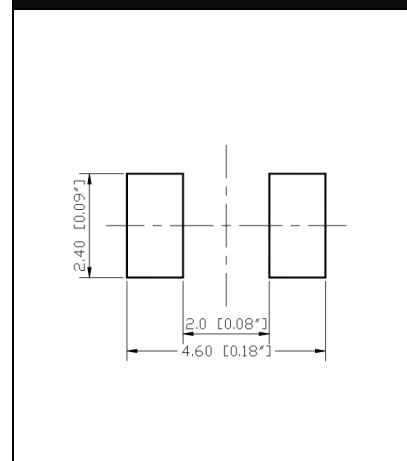
Colour Electrical & Optical Characteristics

Part Number	Colour	WL (nm)	$2\theta_{1/2}$ (°)	I_V (mcd)	V_F (V)	I_F (mA)	I_{MAX} (mA)
NOR10S61	Red ■	625-635nm	15	1600	2.0	20	30
NOR10S60	Red ■	620-630nm	15	3850	2.0	20	30
NOA16S95	Amber ■	600-610nm	15	3350	2.0	20	30
NOY10S63	Yellow ■	585-595nm	15	3400	2.0	20	30
NOG10S56	Green ■	565-576nm	15	1000	2.0	20	30
NOG10S57	Green ■	520-530nm	15	8800	3.2	20	30
NOB10S55	Blue ■	460-470nm	15	1300	3.1	20	30

Package Dimensions (mm)



Recommended Solder Pattern



PCB / CHIP LED

1209 (3224) Dual Colours / RGB

15°



Features:

- Low Power LED
- Top View
- Narrow Viewing Angle
- Dual Colours / RGB
- Compatible Package
- High Efficiency
- High Intensity Output
- 4 Soldering Pins

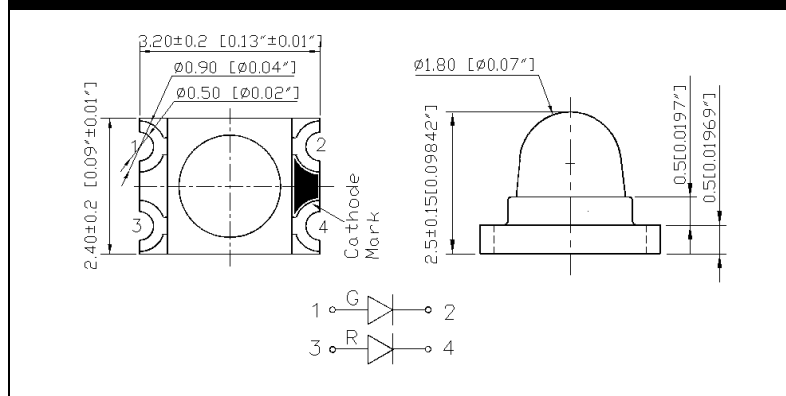
Applications:

- Indication Lamps
- Decoration Light
- 3C Consumer Goods
- Light Strip

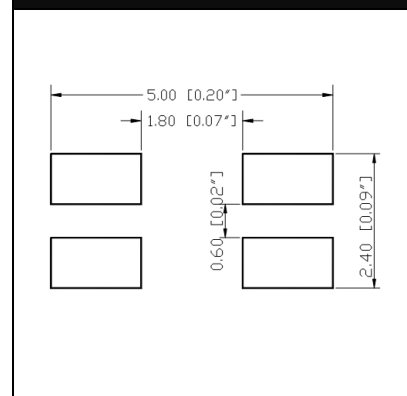
Dual Colours Electrical & Optical Characteristics

Part Number	Colour	WL (nm)	2θ _{1/2} (°)	I _V (mcd)	V _F (V)	I _F (mA)
N0D11S90	Red/Green	640/570nm	60	60/40	2.0/2.0	20/20

Package Dimensions (mm)



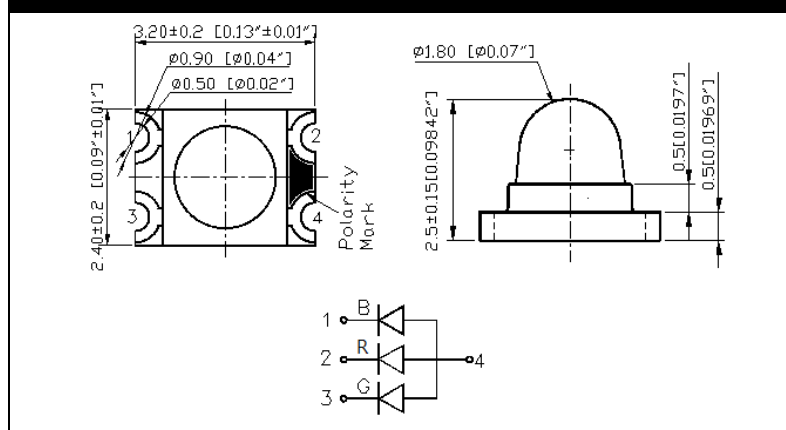
Recommended Solder Pattern



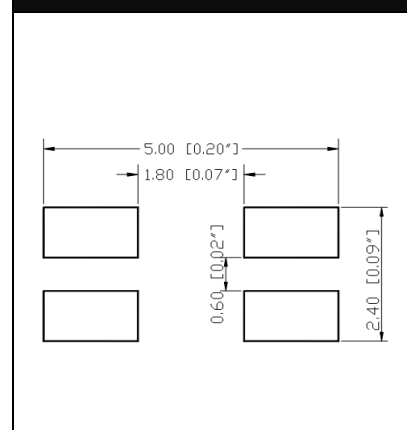
RGB Electrical & Optical Characteristics

Part Number	Colour	WL (nm)	2θ _{1/2} (°)	I _V (mcd)	V _F (V)	I _F (mA)
N0M11S91	Red/Green/Blue	620/525/470nm	60	160/460/65	2.0/3.1/3.1	20/20/20

Package Dimensions (mm)

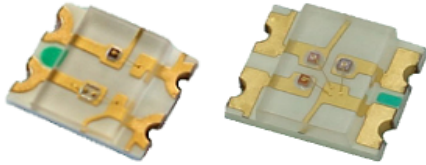


Recommended Solder Pattern



PCB / CHIP LED

1210 (3227) Dual Colours / RGB



Features:

- Low Power LED
- Top View
- Dual Colours / RGB
- Compatible Package
- High Efficiency
- High Intensity Output
- Large Emitting Area
- 4 Soldering Pins




Applications:

- Indication Lamps
- Decoration Light
- 3C Consumer Goods
- Light Strip

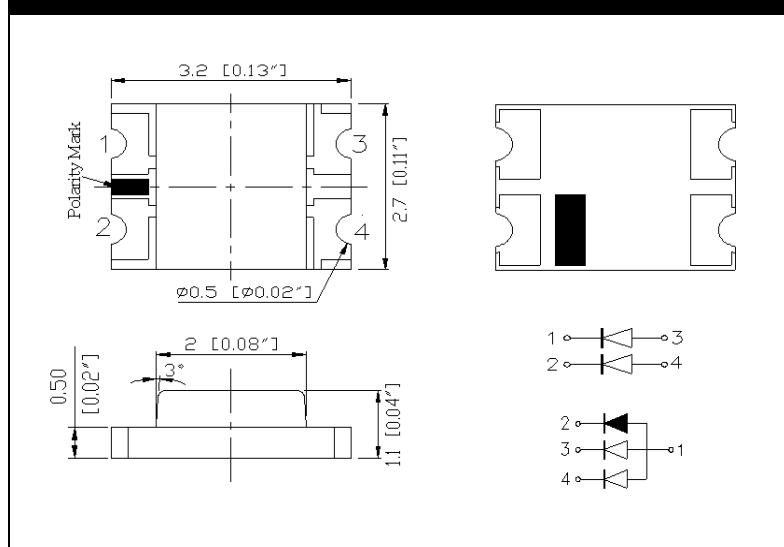
Dual Colour Electrical & Optical Characteristics

Part Number	Colour	WL (nm)	$2\theta_{1/2}$ (°)	I_v (mcd)	V_F (V)	I_F (mA)
NOD11S59	Red/Yellow 	640/590nm	140	70/155	2.0/2.0	20/20
NOD11S61	Red/Green 	630/520nm	140	105/550	2.0/3.1	20/20
NOD17S93	Red/Green 	625/570nm	140	160/55	2.0/2.0	20/20
NOD11S60	Red/Green 	620/525nm	140	160/430	2.0/3.1	20/20
NOD17S94	Red/Blue 	630/470nm	140	110/95	2.0/3.3	20/20
NOD11S62	Red/Blue 	625/470nm	140	80/90	2.0/3.1	20/20
NOD11S85	Yellow/Green 	590/525nm	140	200/480	2.0/3.3	20/20
NOD11S86	Green/Blue 	525/470nm	140	480/95	3.3/3.2	20/20

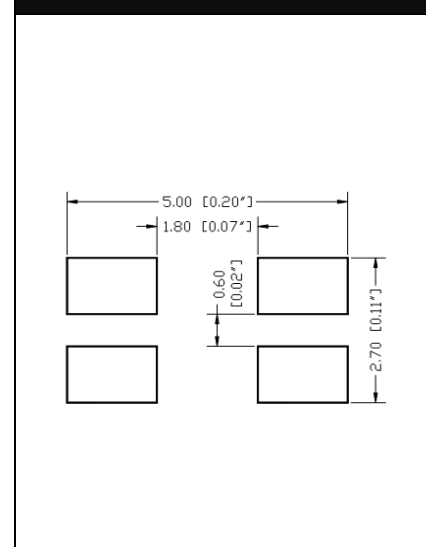
RGB Electrical & Optical Characteristics

Part Number	Colour	WL (nm)	$2\theta_{1/2}$ (°)	I_v (mcd)	V_F (V)	I_F (mA)
NOM11S89	Red/Yellow/Green 	620/590/570	140	140/140/35	2.0/2.0/2.0	20/20/20
NOM11S87	Red/Green/Blue 	622/625/470	140	180/340/120	2.0/3.2/3.2	20/20/20
NOM11S88	Red/Green/Blue 	620/625/470	140	160/470/90	2.0/3.1/3.1	20/20/20

Package Dimensions (mm)



Recommended Solder Pattern



EMC LED

1616 Cube 1W



Features:

- Mid Power LED
- Top View
- EMC Package
- CRI 80 (White)
- Various CCT / Colours
- High Efficiency
- High Lumen Output
- Large Emitting Area

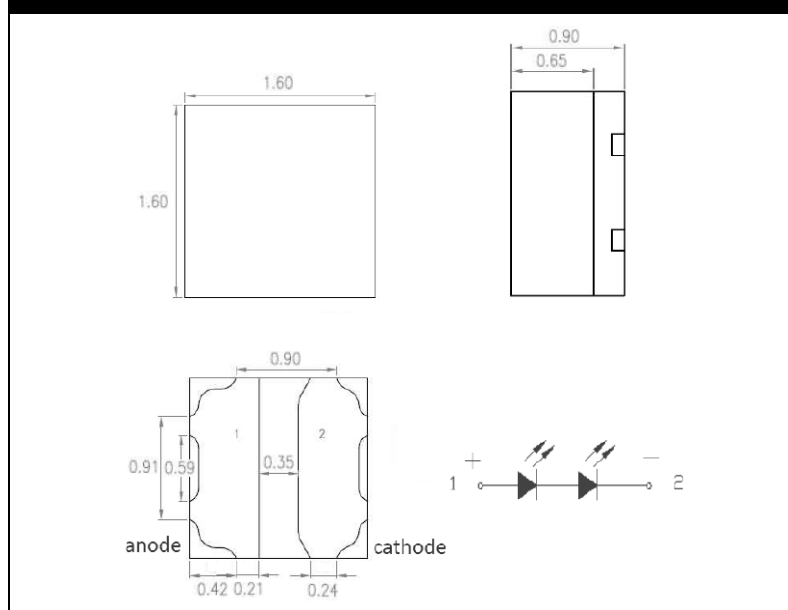
Applications:

- General Lighting
- Commercial Lighting
- Indoor Lighting
- Backlight
- Decorative Lighting
- Indication Light
- 3C Product

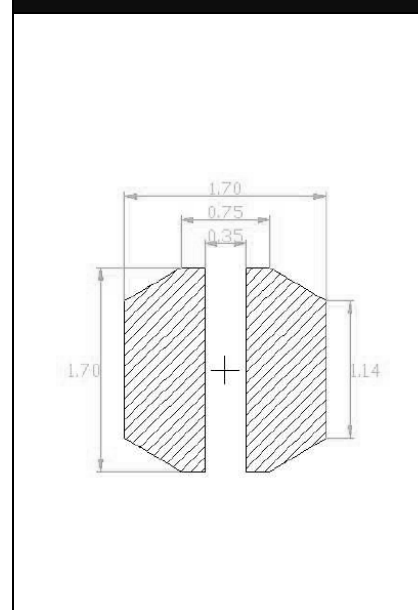
Electrical & Optical Characteristics

Part Number	Colour	CCT (K)	$2\theta_{1/2}$ (°)	Φ_V (lm)	V_F (V)	I_F (mA)	CRI
NOW30S41	Cool White	4745-5311K	170	130	6.2	150	80
NOW30S42	Natural White	3710-4260K	170	129	6.2	150	80
NOW30S43	Warm White	3220-3710K	170	125	6.2	150	80
NOW30S44	Warm White	2870-3220K	170	118	6.2	150	80
NOW30S45	Warm White	2580-2870K	170	115	6.2	150	80

Package Dimensions (mm)

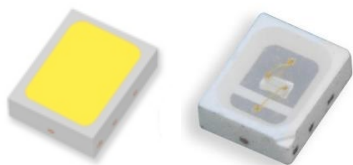


Recommended Solder Pattern



EMC LED

2016 0.1W~0.4W



Features:

- Mid Power LED
- Top View
- EMC Package
- CRI 80 (White)
- Various CCT / Colours
- High Efficiency
- High Lumen Output
- Large Emitting Area

Applications:

- General Lighting
- Commercial Lighting
- Indoor Lighting
- Backlight
- Decorative Lighting
- Indication Light
- 3C Product

0.2W Electrical & Optical Characteristics (typ. at 3.0V/60mA)

Part Number	Colour	CCT (K)	$2\theta_{1/2}$ (°)	Φ_V (lm)	V_F (V)	I_F (mA)	CRI
NOW20S31	Cool White	6020-7040K	110	25.5	3.0	60	80
NOW20S32	Cool White	5310-6020K	110	25.5	3.0	60	80
NOW20S33	Natural White	4745-5311K	110	25.5	3.0	60	80
NOW20S34	Natural White	3710-4260K	110	25.5	3.0	60	80
NOW20S35	Warm White	2870-3220K	110	24	3.0	60	80
NOW20S36	Warm White	2580-2870K	110	23	3.0	60	80

0.3W Electrical & Optical Characteristics (typ. at 9.5V/30mA)

Part Number	Colour	CCT (K)	$2\theta_{1/2}$ (°)	Φ_V (lm)	V_F (V)	I_F (mA)	CRI
NOW26S26	Cool White	6020-7040K	110	35	9.5	30	80
NOW26S25	Cool White	5310-6020K	110	35	9.5	30	80
NOW26S24	Natural White	4745-5311K	110	35	9.5	30	80
NOW26S23	Natural White	3710-4260K	110	35	9.5	30	80
NOW26S22	Warm White	2870-3220K	110	33	9.5	30	80
NOW26S21	Warm White	2580-2870K	110	32	9.5	30	80

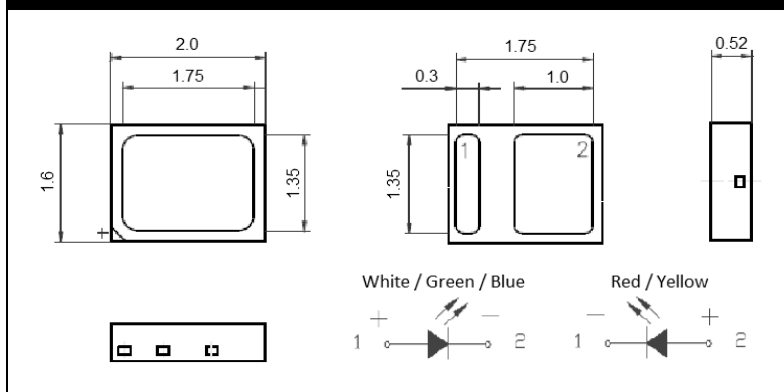
0.4W Electrical & Optical Characteristics (typ. at 6.1V/60mA)

Part Number	Colour	CCT (K)	$2\theta_{1/2}$ (°)	Φ_V (lm)	V_F (V)	I_F (mA)	CRI
NOW26S16	Cool White	6020-7040K	110	48	6.1	60	80
NOW26S15	Cool White	5310-6020K	110	48	6.1	60	80
NOW26S14	Natural White	4745-5311K	110	48	6.1	60	80
NOW26S13	Natural White	3710-4260K	110	48	6.1	60	80
NOW26S12	Warm White	2870-3220K	110	45	6.1	60	80
NOW26S11	Warm White	2580-2870K	110	43	6.1	60	80

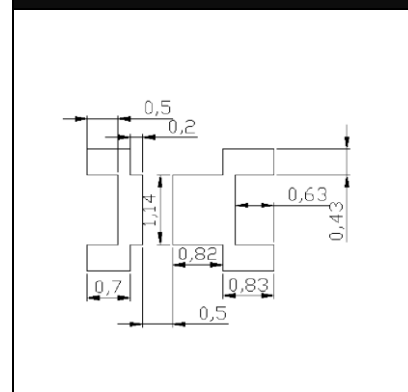
Colour Electrical & Optical Characteristics (typ. at 40/60mA)

Part Number	Colour	WL (nm)	2θ _{1/2} (°)	Φ _V (lm)	V _F (V)	I _F (mA)	I _{MAX} (mA)
NOR20S37	Red	620-630nm	120	5.5	2.3	40	60
NOY20S38	Yellow	585-595nm	120	4	2.3	40	60
NOG20S39	Green	520-530nm	120	13.4	3.1	60	80
NOB20S40	Blue	460-470nm	120	2.7	3.1	60	80

Package Dimensions (mm)



Recommended Solder Pattern



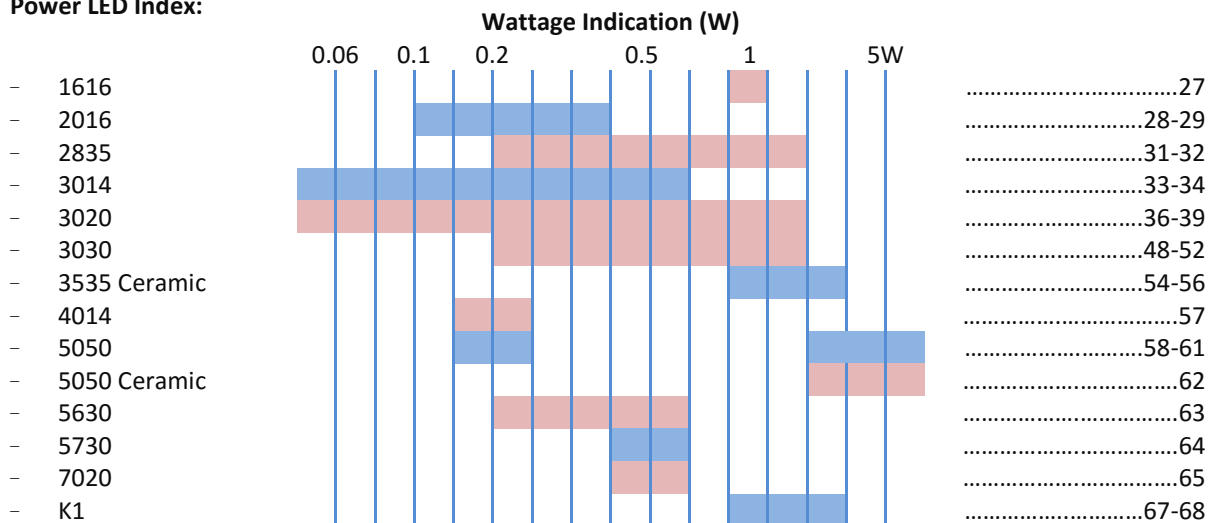
EMC LED Index:

- 161627
- 201628-29
- 301433
- 302038-39
- 303049-52
- 505061

Ceramic LED Index:

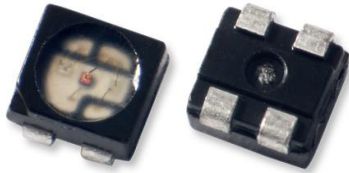
- 353554-56
- 505062

Power LED Index:



PLCC4 LED

2121 RGB



Features:

- Low Power LED
- Top View
- Black Package
- Excellent White Balance
- Compatible Package
- High Efficiency
- High Intensity Output
- 4 Soldering Pins

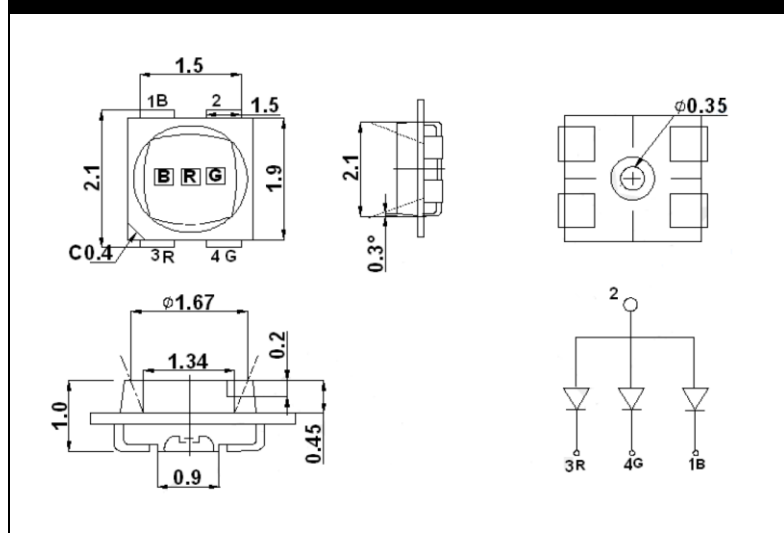
Applications:

- HD Display
- Commercial Lighting
- Decorative Lighting
- Indication Light
- 3C Product

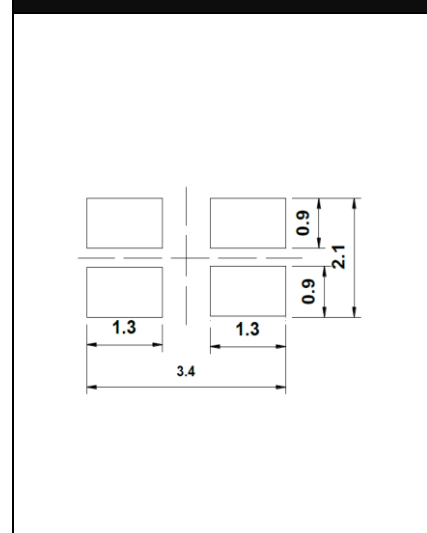
Electrical & Optical Characteristics

Part Number	Colour	WL (nm)	$2\theta_{1/2}$ (°)	I_v (mcd)	V_f (V)	I_f (mA)
NOM11S40BF	Red/Green/Blue ■ ■ ■	625/525/470	120	150/430/100	1.9/3.2/3.2	20/20/20

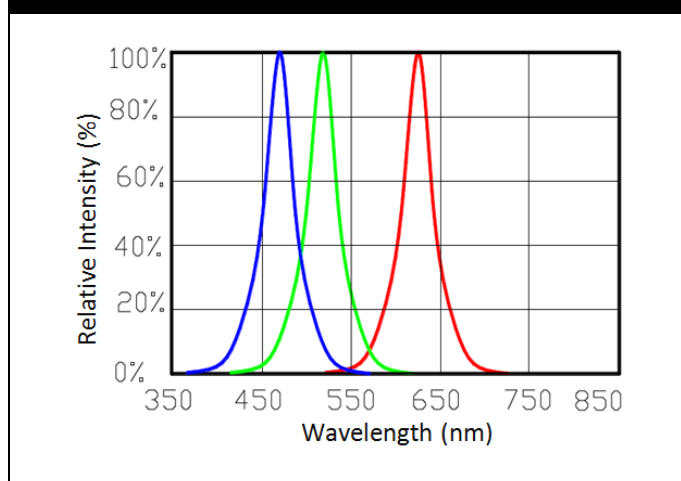
Package Dimensions (mm)



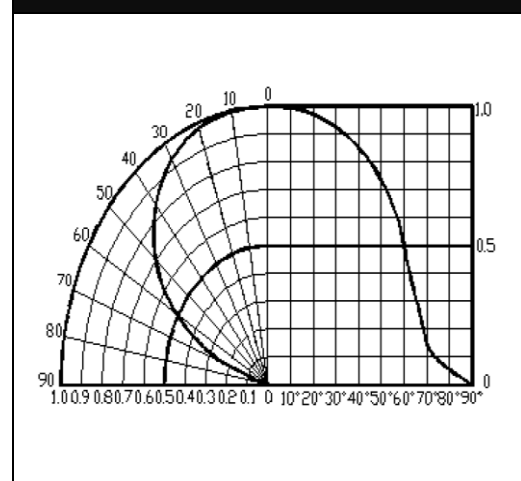
Recommended Solder Pattern



Relative Spectral Distribution



Directive Radiation



PLCC2 LED

2835 0.2W / 0.5W



Features:

- Mid Power LED
- Top View
- High CRI 80 / 90
- Large Emitting Area
- High C/P Ratio
- High Efficiency
- High Lumen Output
- Compatible Package

Applications:

- General Lighting
- Commercial Lighting
- Indoor Lighting
- Decorative Lighting
- Portable Torch
- Architectural Lighting

0.2W CRI 80 Electrical & Optical Characteristics

Part Number	Colour	CCT (K)	$2\theta_{1/2}$ (°)	Φ_V (lm)	V_F (V)	I_F (mA)	CRI
NOW15S86	Cool White	5710-6530K	120	26	3.2	60	80
NOW15S88	Warm White	2725-3045K	120	26	3.1	60	80
NOW15S87	Natural White	3710-4260K	120	26	3.2	60	80

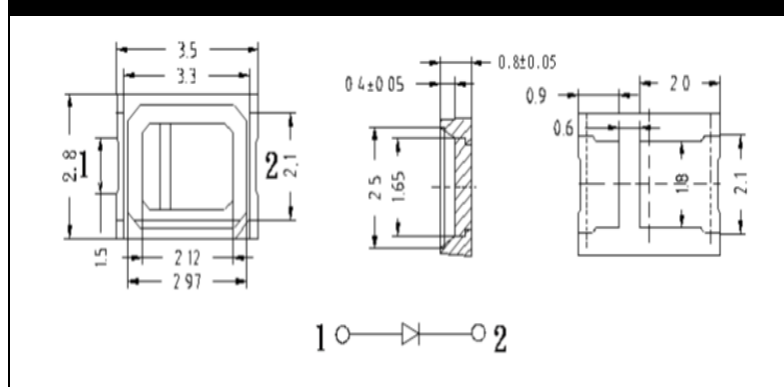
0.2W CRI 90 Electrical & Optical Characteristics

Part Number	Colour	CCT (K)	$2\theta_{1/2}$ (°)	Φ_V (lm)	V_F (V)	I_F (mA)	CRI
NOW15S68	Cool White	5710-6530K	120	20	3.2	60	90
NOW17S07	Natural White	3710-4260K	120	18	3.2	60	90
NOW17S06	Warm White	2725-3045K	120	19	3.1	60	90

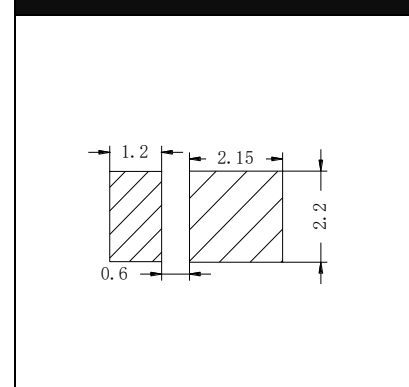
0.5W Electrical & Optical Characteristics

Part Number	Colour	CCT (K)	$2\theta_{1/2}$ (°)	Φ_V (lm)	V_F (V)	I_F (mA)	CRI
NOW29S60	Cool White	6175-6825K	120	65	3.2	150	80
NOW29S61	Cool White	4900-5300K	120	65	3.2	150	80
NOW29S62	Natural White	3897-4223K	120	65	3.2	150	80
NOW29S63	Warm White	3265-3535K	120	60	3.2	150	80
NOW29S64	Warm White	2855-3025K	120	60	3.2	150	80
NOW29S65	warm White	2645-2805K	120	60	3.2	150	80

Package Dimensions (mm)

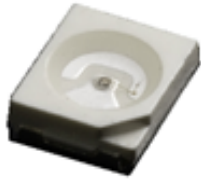


Recommended Solder Pattern



PLCC2 LED

2835 0.75W White / 0.2~1W Colour



Features:

- Mid/High Power LED
- Top View
- Various Colour
- Compatible Package
- High Efficiency
- High Lumen Output
- Large Emitting Area

Applications:

- Commercial Lighting
- Decorative Lighting
- Information Board
- Light Strip

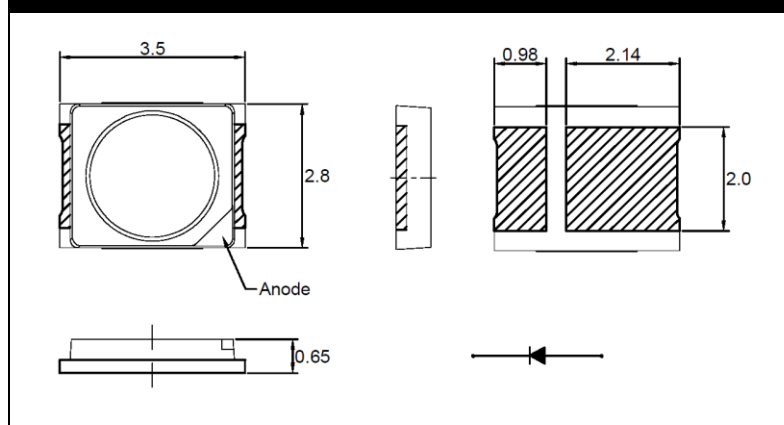
0.75W CRI 80 Electrical & Optical Characteristics

Part Number	Colour	CCT (K)	$2\theta_{1/2}$ (°)	Φ_V (lm)	V_F (V)	I_F (mA)	CRI
NOW15S56	Cool White	5710-6530K	120	90	6.4	120	80
NOW31S77	Natural White	3710-4260K	120	85	6.4	120	80
NOW15S57	Warm White	2725-3045K	120	85	6.4	120	80

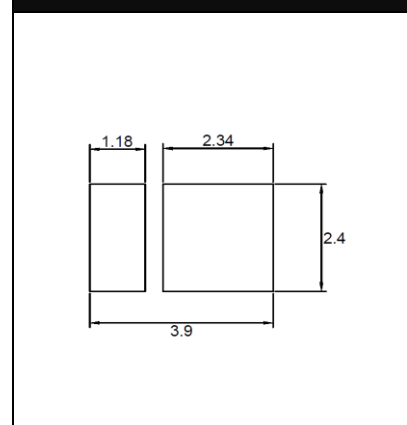
Colour Electrical & Optical Characteristics

Part Number	Colour	WL (nm)	$2\theta_{1/2}$ (°)	Φ_V (lm)	V_F (V)	I_F (mA)	P (W)
NOR15S51	Red ■	620-630nm	120	22	2.4	150	0.5W
NOR15S52	Red ■	620-630nm	120	36	2.4	350	1W
NOR31S75	Red ■	620-630nm	120	7	2.1	60	0.2W
NOR31S76	Red ■	620-630nm	120	8	2.1	60	0.2W
NOR31S74	Amber ■	609-621nm	120	24	2.2	150	0.5W
NOY15S53	Yellow ■	585-595nm	120	18	2.4	150	0.5W
NOY15S54	Yellow ■	585-595nm	120	36	2.4	350	1W
NOG16S14	Green ■	519-531nm	120	24	3.2	150	0.5W
NOB15S55	Blue ■	447-459nm	120	2.2	3.2	60	0.2W
NOB16S13	Blue ■	447-459nm	120	5	3.2	150	0.5W

Package Dimensions (mm)



Recommended Solder Pattern



EMC LED

3014 0.2W / 0.5W



Features:

- Mid Power LED
- Top View
- EMC Package
- CRI 80
- Compatible Package
- High Efficiency
- High Lumen Output
- Large Emitting Area

Applications:

- General Lighting
- Commercial Lighting
- Indoor Lighting
- Backlight
- Decorative Lighting

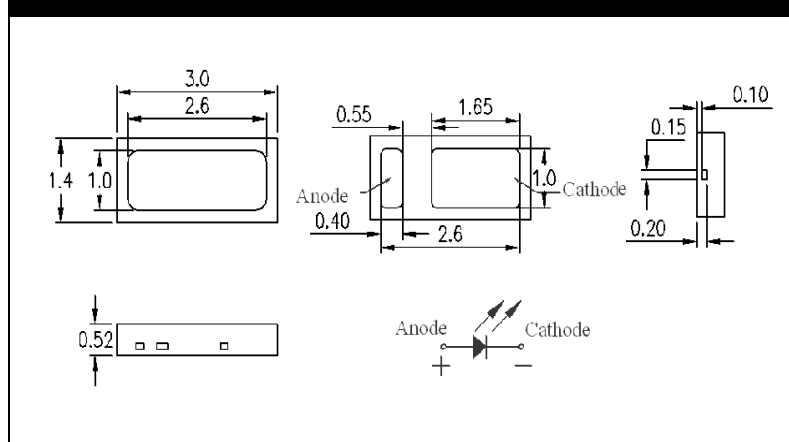
0.2W Electrical & Optical Characteristics (typ. at 2.85V/60mA)

Part Number	Colour	CCT (K)	$2\theta_{1/2}$ (°)	Φ_V (lm)	V_F (V)	I_F (mA)	CRI
NOW20S21	Cool White	6020-7040K	110	28.5	2.85	60	80
NOW20S22	Cool White	5310-6020K	110	28.5	2.85	60	80
NOW20S23	Natural White	4745-5311K	110	28.5	2.85	60	80
NOW20S24	Natural White	3710-4260K	110	28.5	2.85	60	80
NOW20S25	Warm White	2870-3220K	110	27	2.85	60	80
NOW20S26	Warm White	2580-2870K	110	26	2.85	60	80

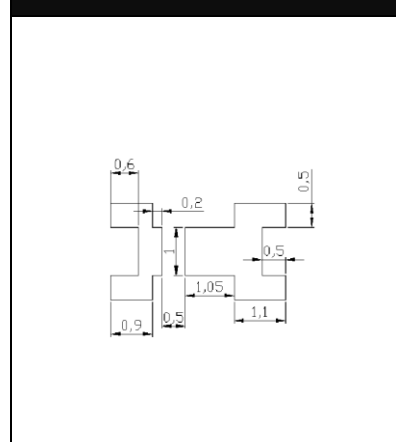
0.5W Electrical & Optical Characteristics (typ. at 3.1V/150mA)

Part Number	Colour	CCT (K)	$2\theta_{1/2}$ (°)	Φ_V (lm)	V_F (V)	I_F (mA)	CRI
NOW28S71	Cool White	6020-7040K	110	61	3.1	150	80
NOW28S72	Cool White	5310-6020K	110	61	3.1	150	80
NOW28S73	Natural White	4745-5311K	110	61	3.1	150	80
NOW28S74	Natural White	3710-4260K	110	61	3.1	150	80
NOW28S75	Warm White	2870-3220K	110	57	3.1	150	80
NOW28S76	Warm White	2580-2870K	110	53	3.1	150	80

Package Dimensions (mm)



Recommended Solder Pattern



PLCC2 LED

3014 0.1W / 0.2W



Features:

- Mid Power LED
- Top View
- Various CCT
- CRI 80
- High Efficiency
- High Lumen Output
- Compatible Package

Applications:

- General Lighting
- Commercial Lighting
- Indoor Lighting
- Decorative Lighting
- Office Lighting
- Portable Torch
- Architectural Lighting

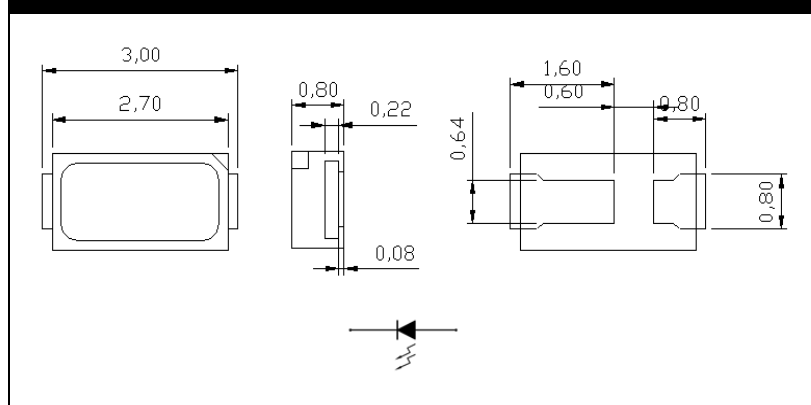
0.1W Electrical & Optical Characteristics

Part Number	Colour	CCT (K)	$2\theta_{1/2}$ (°)	Φ_V (lm)	V_F (V)	I_F (mA)	CRI
NOW32S61	Cool White	6175-6825K	120	11	3.2	30	80
NOW32S62	Cool White	4900-5300K	120	11	3.2	30	80
NOW32S63	Natural White	3897-4223K	120	11	3.2	30	80
NOW32S64	Warm White	3260-3535K	120	11	3.2	30	80
NOW32S65	Warm White	2855-3025K	120	11	3.2	30	80
NOW32S66	Warm White	2645-2805K	120	11	3.2	30	80

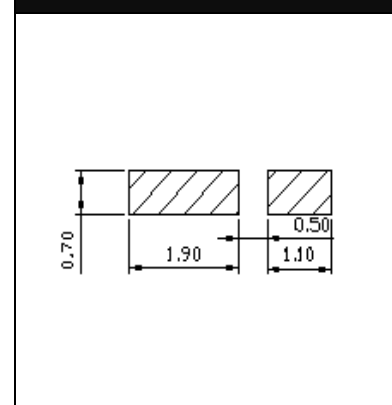
0.2W Electrical & Optical Characteristics

Part Number	Colour	CCT (K)	$2\theta_{1/2}$ (°)	Φ_V (lm)	V_F (V)	I_F (mA)	CRI
NOW29S40	Cool White	6175-6825K	120	25	3.2	60	80
NOW29S41	Cool White	6020-6530K	120	25	3.2	60	80
NOW29S42	Cool White	5477-6020K	120	25	3.2	60	80
NOW29S43	Natural White	4900-5300K	120	25	3.2	60	80
NOW29S44	Natural White	3897-4223K	120	25	3.2	60	80
NOW29S45	Warm White	3260-3535K	120	23	3.2	60	80
NOW29S46	Warm White	2855-3025K	120	23	3.2	60	80
NOW29S47	Warm White	2645-2805K	120	23	3.2	60	80

Package Dimensions (mm)



Recommended Solder Pattern



PLCC2 LED

3020 0.06W



Features:

- Low Power LED
- Top View
- CRI 80
- Compatible Package
- High Efficiency
- High Lumen Output
- Large Emitting Area

Applications:

- General Lighting
- Commercial Lighting
- Indoor Lighting
- Backlight
- Decorative Lighting

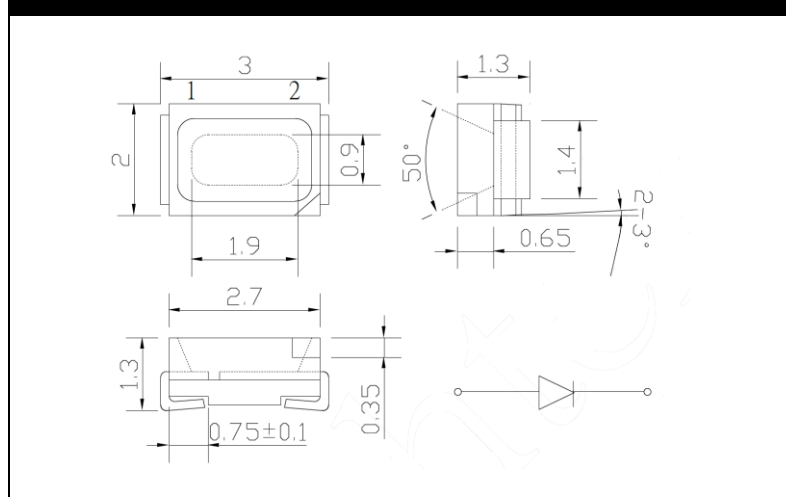
White Electrical & Optical Characteristics

Part Number	Colour	CCT (K)	$2\theta_{1/2}$ (°)	I_V (mcd)	V_F (V)	I_F (mA)	I_{MAX} (mA)
NOW03S26	Sky White	39000-242100K	120	1400	3	20	30
NOW03S43	Cool White	6000-8400K	120	1840	3.1	20	30
NOW03S42	Cool White	5450-6650K	120	2650	3.2	20	30
NOW25S26	Cool White	5000-6300K	120	2500	3.4	20	30
NOW25S27	Natural White	4100-5000K	120	2000	3.2	20	30
NOW25S28	Warm White	2850-3250K	120	2100	3.2	20	30
NOW03S45	Warm White	2760-3160K	120	2150	3.3	20	30

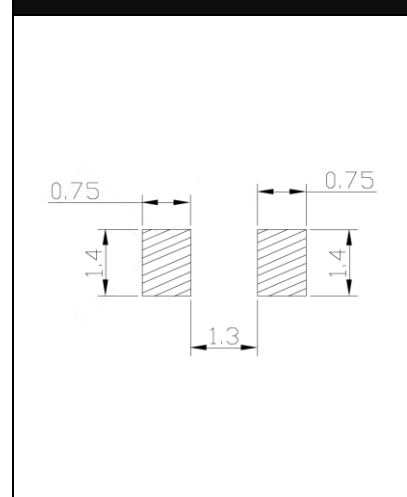
Colour Electrical & Optical Characteristics

Part Number	Colour	WL (nm)	$2\theta_{1/2}$ (°)	I_V (mcd)	V_F (V)	I_F (mA)	I_{MAX} (mA)
NOR23S17	Red	620-630nm	120	240	2.0	20	30
NOR03S38	Red	620-630nm	120	680	2.1	20	30
NOR05S66	Red	615-630nm	120	700	2.1	20	30
NOY05S70	Yellow	585-597nm	120	210	2.0	20	30
NOY03S28	Yellow	585-594nm	120	800	2.0	20	30
NOG05S65	Green	520-535nm	120	1300	3.2	20	30
NOB03S35	Blue	462-473nm	120	350	3.2	20	30

Package Dimensions (mm)



Recommended Solder Pattern



PLCC2 LED

3020 0.2W / 0.5W



Features:

- Mid Power LED
- Top View
- CRI 70 / 80
- Various CCT
- High Efficiency
- High Lumen Output
- Compatible Package

Applications:

- General Lighting
- Commercial Lighting
- Indoor Lighting
- Decorative Lighting
- Portable Torch
- Architectural Lighting
- Light Strip

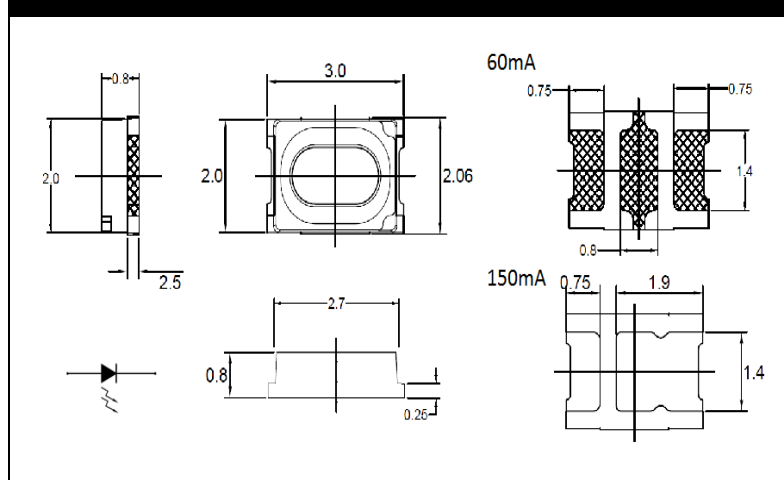
0.2W Electrical & Optical Characteristics

Part Number	Colour	CCT (K)	$2\theta_{1/2}$ (°)	Φ_V (lm)	V_F (V)	I_F (mA)	CRI
NOW02S30	Cool White	5300-6020K	120	23	3.2	60	70
NOW02S31	Cool White	5300-6020K	120	22	3.2	60	80
NOW02S33	Natural White	3000-4260K	120	23	3.2	60	70
NOW02S34	Natural White	3160-4260K	120	22	3.2	60	80
NOW02S35	Warm White	2725-3220K	120	22	3.2	60	70
NOW02S36	Warm White	2725-3220K	120	21	3.2	60	80

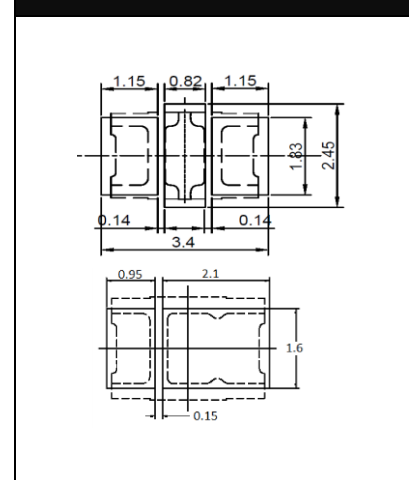
0.5W Electrical & Optical Characteristics

Part Number	Colour	CCT (K)	$2\theta_{1/2}$ (°)	Φ_V (lm)	V_F (V)	I_F (mA)	CRI
NOW02S20	Cool White	5300-6020K	120	65	3.2	150	70
NOW02S21	Cool White	5300-6020K	120	60	3.2	150	80
NOW02S22	Natural White	3000-4260K	120	65	3.2	150	70
NOW02S23	Natural White	3000-4260K	120	60	3.2	150	80
NOW02S24	Warm White	2725-3220K	120	60	3.2	150	70
NOW02S25	Warm White	2725-3220K	120	55	3.2	150	80

Package Dimensions (mm)



Recommended Solder Pattern



PLCC2 LED

3020 0.2~0.5W Colour



Features:

- Mid Power LED
- Top View
- Various Colour
- Compatible Package
- High Efficiency
- High Lumen Output
- Large Emitting Area

Applications:

- Commercial Lighting
- Decorative Lighting
- Light Strip

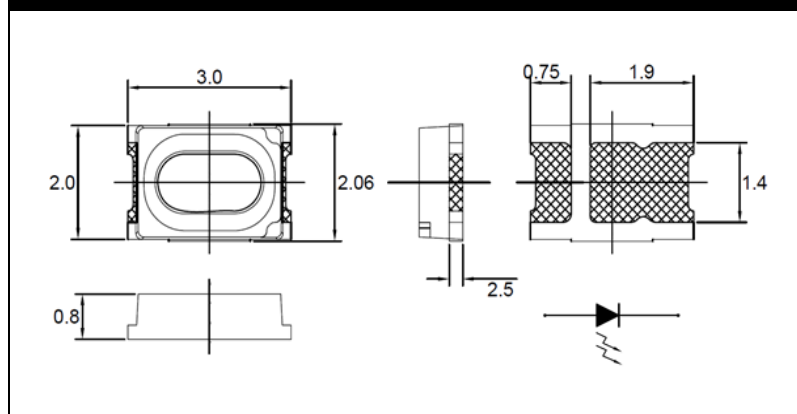
0.2W Colour Electrical & Optical Characteristics

Part Number	Colour	WL (nm)	$2\theta_{1/2}$ (°)	I_V (mcd)	V_F (V)	I_F (mA)	I_{MAX} (mA)
NOR07S02	Red ■	620-634nm	120	2000	2.1	60	70
N0A07S01	Amber ■	620-630nm	120	5000	2.2	60	70
NOY07S03	Yellow ■	585-598nm	120	2550	2.1	60	70
NOY07S04	Yellow ■	585-598nm	120	5000	2.2	60	70

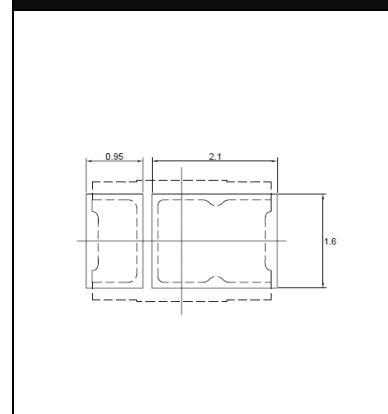
0.5W Colour Electrical & Optical Characteristics

Part Number	Colour	WL (nm)	$2\theta_{1/2}$ (°)	I_V (mcd)	V_F (V)	I_F (mA)	I_{MAX} (mA)
NOR07S07	Red ■	620-631nm	120	6500	2.5	150	160
NOY07S08	Yellow ■	585-598nm	120	5000	2.5	150	160
NOG07S06	Green ■	520-531nm	120	10000	3.3	150	160
NOB07S05	Blue ■	447-459nm	120	2550	3.3	150	160

Package Dimensions (mm)

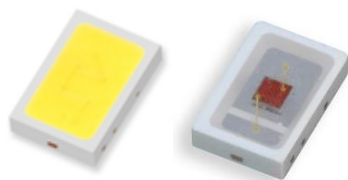


Recommended Solder Pattern



EMC LED

3020 0.2W~1W



Features:

- Mid / High Power LED
- Top View
- EMC Package
- CRI 80 (White)
- Compatible Package
- High Efficiency
- High Lumen Output
- Large Emitting Area

Applications:

- General Lighting
- Commercial Lighting
- Indoor Lighting
- Backlight
- Decorative Lighting

0.2W Electrical & Optical Characteristics (typ. at 2.8V/65mA)

Part Number	Colour	CCT (K)	$2\theta_{1/2}$ (°)	Φ_V (lm)	V_F (V)	I_F (mA)	CRI
NOW29S91	Cool White	6020-7040K	110	34	2.8	65	80
NOW29S92	Cool White	5310-6020K	110	34	2.8	65	80
NOW29S93	Natural White	4745-5311K	110	34	2.8	65	80
NOW29S94	Natural White	3710-4260K	110	34	2.8	65	80
NOW29S95	Warm White	2870-3220K	110	32	2.8	65	80
NOW29S96	Warm White	2580-2870K	110	31	2.8	65	80

0.5W Electrical & Optical Characteristics (typ. at 3.1V/150mA)

Part Number	Colour	CCT (K)	$2\theta_{1/2}$ (°)	Φ_V (lm)	V_F (V)	I_F (mA)	CRI
NOW20S61	Cool White	6020-7040K	110	70	3.1	150	80
NOW20S62	Cool White	5310-6020K	110	70	3.1	150	80
NOW20S63	Natural White	4745-5311K	110	70	3.1	150	80
NOW20S64	Natural White	3710-4260K	110	70	3.1	150	80
NOW20S65	Warm White	2870-3220K	110	66	3.1	150	80
NOW20S66	Warm White	2580-2870K	110	62	3.1	150	80

0.5W Electrical & Optical Characteristics (typ. at 6.2V/80mA)

Part Number	Colour	CCT (K)	$2\theta_{1/2}$ (°)	Φ_V (lm)	V_F (V)	I_F (mA)	CRI
NOW20S51	Cool White	6020-7040K	110	66	6.2	80	80
NOW20S52	Cool White	5310-6020K	110	66	6.2	80	80
NOW20S53	Natural White	4745-5311K	110	66	6.2	80	80
NOW20S54	Natural White	3710-4260K	110	66	6.2	80	80
NOW20S55	Warm White	2870-3220K	110	62	6.2	80	80
NOW20S56	Warm White	2580-2870K	110	62	6.2	80	80

0.5W Electrical & Optical Characteristics (typ. at 19.0V/30mA)

Part Number	Colour	CCT (K)	$2\theta_{1/2}$ (°)	Φ_V (lm)	V_F (V)	I_F (mA)	CRI
NOW20S71	Cool White	6020-7040K	110	70	19.0	30	80
NOW20S72	Cool White	5310-6020K	110	70	19.0	30	80
NOW20S73	Natural White	4745-5311K	110	70	19.0	30	80
NOW20S74	Natural White	3710-4260K	110	70	19.0	30	80
NOW20S75	Warm White	2870-3220K	110	66	19.0	30	80
NOW20S76	Warm White	2580-2870K	110	62	19.0	30	80

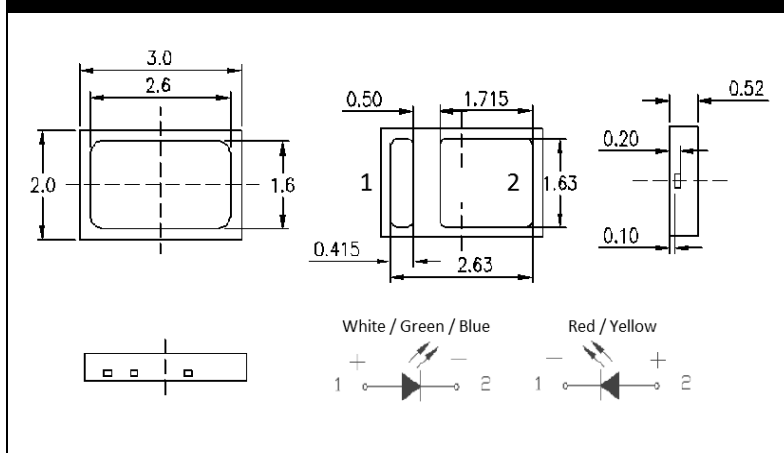
1W Electrical & Optical Characteristics (typ. at 9.6V/100mA)

Part Number	Colour	CCT (K)	$2\theta_{1/2}$ (°)	Φ_V (lm)	V_F (V)	I_F (mA)	CRI
NOW26S06	Cool White	6020-7040K	110	113	9.6	100	80
NOW26S05	Cool White	5310-6020K	110	113	9.6	100	80
NOW26S04	Natural White	4745-5311K	110	113	9.6	100	80
NOW26S03	Natural White	3710-4260K	110	113	9.6	100	80
NOW26S02	Warm White	2870-3220K	110	107	9.6	100	80
NOW26S01	Warm White	2580-2870K	110	102	9.6	100	80

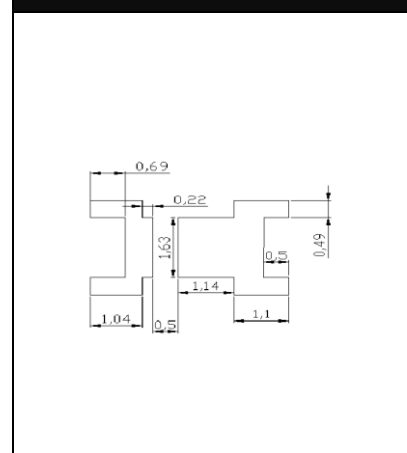
0.5W Colour Electrical & Optical Characteristics

Part Number	Colour	WL (nm)	$2\theta_{1/2}$ (°)	Φ_V (lm)	V_F (V)	I_F (mA)	I_{MAX} (mA)
NOR20S57	Red	620-630nm	150	17	2.2	150	200
NOY20S58	Yellow	585-600nm	150	17	2.2	150	200
NOG20S59	Green	520-535nm	150	38	3.0	150	200
NOB20S60	Blue	455-470nm	150	10	3.1	150	200

Package Dimensions (mm)



Recommended Solder Pattern



PLCC2 LED

3528 1.0t



Features:

- Lower Power LED
- Low Height 1mm
- Top View
- Various CCT
- Compatible Package
- High Efficiency
- High Lumen Output
- Large Emitting Area

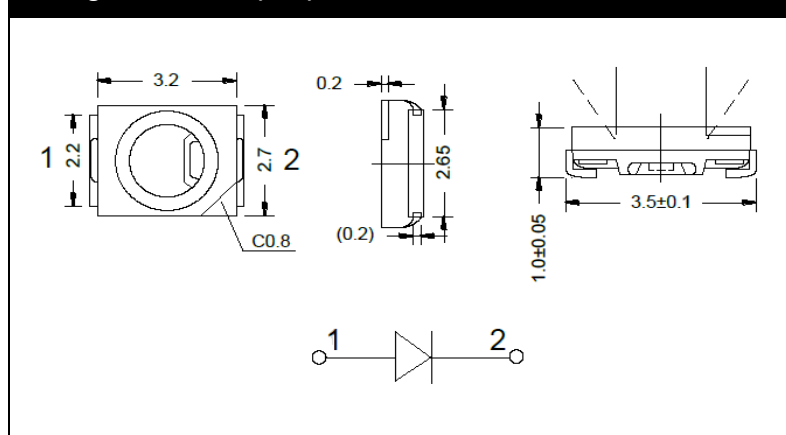
Applications:

- General Lighting
- Commercial Lighting
- Indoor Lighting
- Decorative Lighting
- Portable Torch
- Architectural Lighting
- Light Bulb

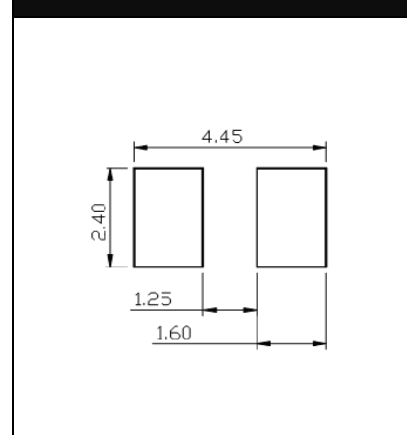
Electrical & Optical Characteristics

Part Number	Colour	CCT (K)	$2\theta_{1/2}$ (°)	Φ_v (lm)	I_v (mcd)	V_f (V)	I_f (mA)	CRI
NOW13S35	Sky White	8400-16000K	120	7.8	2500	3.2	20	70
NOW19S34	Cool White	6000-7400K	120	7.8	2500	3.1	20	85
NOW03S47	Natural White	4600-5450K	120	7.4	2350	3.1	20	85
NOW19S36	Natural White	4240-4600K	120	7.2	2300	3.1	20	85
NOW13S42	Natural White	3920-4240K	120	5.8	1850	3.3	20	85
NOW13S43	Warm White	3400-3640K	120	7.0	2250	3.1	20	85
NOW19S35	Warm White	3400-3640K	120	6.5	2080	3.0	20	90
NOW13S48	Warm White	2960-3160K	120	7.0	2250	3.1	20	85
NOW19S37	Warm White	2760-3160K	120	7.7	2450	3.3	20	80
NOW13S44	Warm White	2580-2760K	120	6.6	2100	3.1	20	85
NOW13S50	Warm White	2230-2400K	120	5.8	1850	3.1	20	85

Package Dimensions (mm)



Recommended Solder Pattern



PLCC2 LED

3528 1.9t



Features:

- Lower Power LED
- Top View
- Various CCT
- Compatible Package
- High Efficiency
- High Lumen Output
- Large Emitting Area

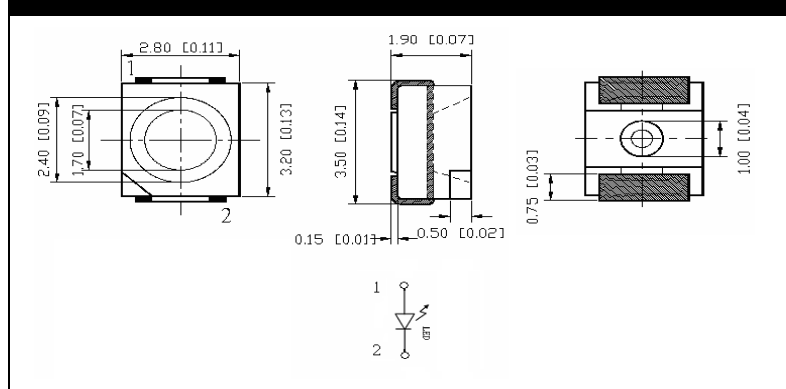
Applications:

- General Lighting
- Commercial Lighting
- Indoor Lighting
- Decorative Lighting
- Portable Torch
- Architectural Lighting

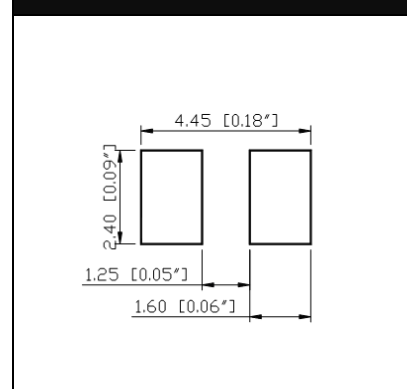
Electrical & Optical Characteristics

Part Number	Colour	CCT (K)	$2\theta_{1/2}$ (°)	Φ_V (lm)	I_V (mcd)	V_F (V)	I_F (mA)	CRI
NOW13S32	Sky White	8400-25000K	120	5.8	1850	3.2	20	---
NOW31S08	Sky White	7400-9900K	120	6.5	2050	3.2	20	---
NOW13S34	Cool White	6000-7800K	120	7.8	2500	3.2	20	---
NOW03S34	Cool White	5450-7400K	120	7.0	2250	3.2	20	CRI 70
NOW13S26	Natural White	4200-4700K	120	7.2	2300	3.2	20	CRI 70
NOW03S77	Warm White	2760-3160K	120	5.8	1850	3.2	20	CRI 80
NOW03S07	Warm White	2400-2760K	120	6.0	2050	3.2	20	CRI 70
NOW13S31	Warm White	2100-2230K	120	5.8	1850	3.2	20	---

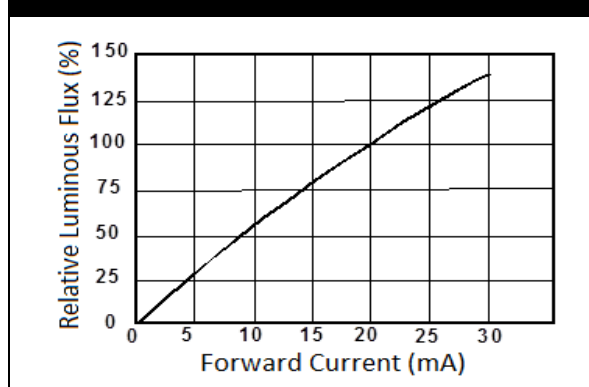
Package Dimensions (mm)



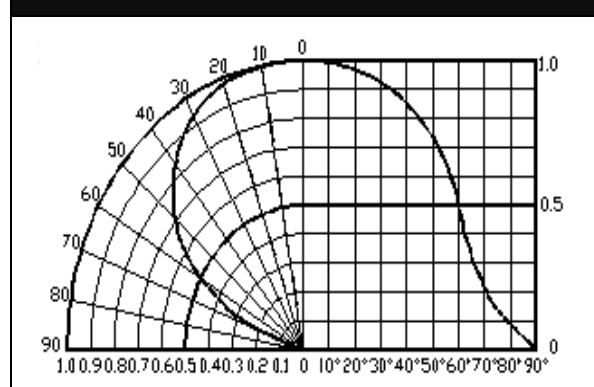
Recommended Solder Pattern



Relative Luminous Flux v.s. Forward Current



Directive Radiation



PLCC2 LED

3528 1.9t Colour



Features:

- Low Power LED
- Top View
- Various Colour
- Compatible Package
- High Efficiency
- High Lumen Output
- Large Emitting Area

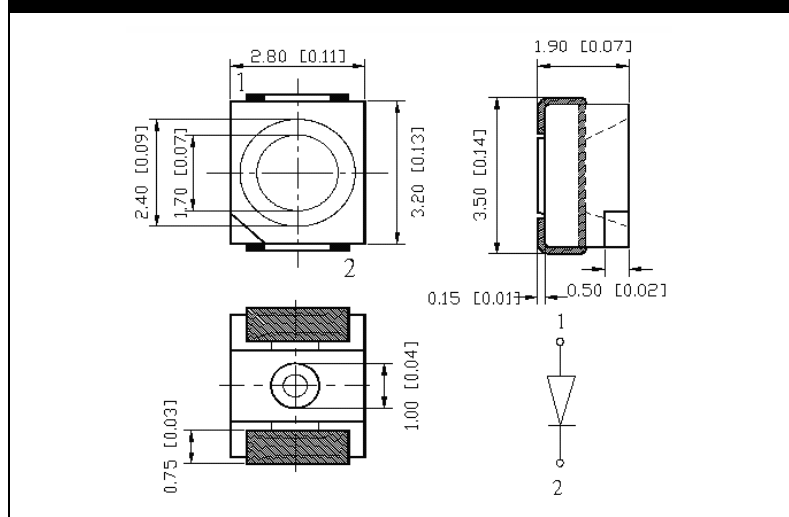
Applications:

- Commercial Lighting
- Decorative Lighting
- Light Strip
- Information Board
- LED Display

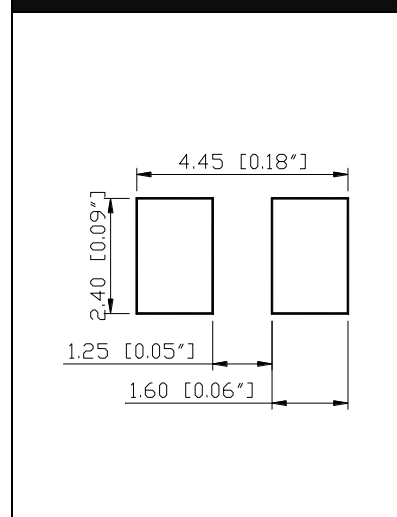
Electrical & Optical Characteristics

Part Number	Colour	WL (nm)	$2\theta_{1/2}$ (°)	I_V (mcd)	V_F (V)	I_F (mA)	I_{MAX} (mA)
NOR13S11	Red	650-670nm	120	210	1.9	20	30
NOR03S55	Red	620-630nm	120	210	2.0	20	30
NOR01S90	Red	620-630nm	120	550	1.9	20	50
NOR02S73	Red	620-630nm	120	780	1.9	20	30
NOA02S50	Amber	602-609nm	120	270	1.9	20	50
NOA13S13	Amber	600-612nm	120	780	1.9	20	30
NOY03S59	Yellow	585-597nm	120	210	2.0	20	30
NOY05S78	Yellow	585-594nm	120	800	1.9	20	30
NOG05S74	Green	567-577nm	120	90	1.9	20	30
NOG00S69	Green	520-535nm	120	1000	3.2	20	30
NOG01S89	Green	520-535nm	120	1700	3.2	20	30
NOB03S53	Blue	467-478nm	120	350	3.2	20	30
NOB01S91	Blue	462-473nm	120	350	3.2	20	30

Package Dimensions (mm)



Recommended Solder Pattern



PLCC4 LED

3528 1.9t Colour / Dual Colour / RGB



Features:

- Mid Power LED
- Top View
- Various Colour
- Dual Colours / RGB
- Compatible Package
- High Efficiency
- High Lumen Output
- 4 Soldering Pins

Applications:

- Commercial Lighting
- Decorative Lighting
- Information Board
- LED Display
- Light Strip

White Electrical & Optical Characteristics (typ. at 50mA) White Package

Part Number	Colour	CCT (K)	$2\theta_{1/2}$ (°)	Φ_V (lm)	I_V (mcd)	V_F (V)	I_F (mA)
NOW19S78	Cool White	4700-7050K	120	17.9	5700	3.2	50

Colour Electrical & Optical Characteristics (typ. at 50mA) White Package

Part Number	Colour	WL (nm)	$2\theta_{1/2}$ (°)	I_V (mcd)	V_F (V)	I_F (mA)	I_{MAX} (mA)
NOR19S77	Red ■	630-650nm	120	170	2.1	50	55
NOR19S75	Red ■	615-630nm	120	2050	2.1	50	55
NOA19S72	Amber ■	600-610nm	120	2400	2.7	50	55
NOY19S79	Yellow ■	585-595nm	120	1600	2.1	50	55
NOG19S74	Green ■	515-525nm	120	1550	3.6	50	55
NOB19S73	Blue ■	465-475nm	120	585	3.4	50	55

Dual Colours Electrical & Optical Characteristics White Package

Part Number	Colour	WL (nm)	$2\theta_{1/2}$ (°)	I_V (mcd)	V_F (V)	I_F (mA)
NOD01S73	Red/Green ■ ■	625/570	120	210/90	1.9/2.1	20/20
NOD03S62	Red/Green ■ ■	627/527	120	450/900	1.9/3.2	20/20
NOD17S32	Red/Blue ■ ■	625/470	120	210/270	1.9/3.2	20/20
NOD18S09	Red/Yellow ■ ■	620/590	120	220/200	2.0/2.0	20/20
NOD18S08	Amber/Green ■ ■	605/570	120	240/100	2.0/2.0	20/20

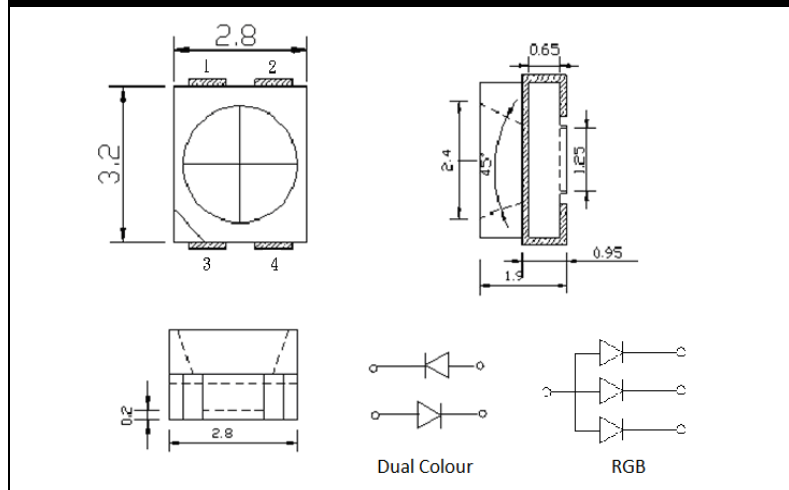
RGB Electrical & Optical Characteristics - White Package

Part Number	Colour	WL (nm)	$2\theta_{1/2}$ (°)	I_V (mcd)	V_F (V)	I_F (mA)
NOM18S11	Red/Green/Blue ■ ■ ■	620/525/470	120	230/970/150	2.0/3.1/3.1	20/20/20

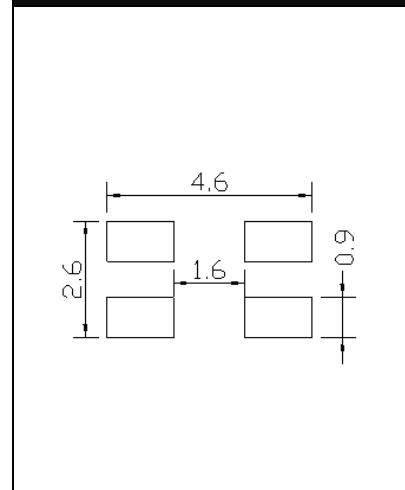
RGB Electrical & Optical Characteristics - Black Surface Package

Part Number	Colour	WL (nm)	$2\theta_{1/2}$ (°)	I_V (mcd)	V_F (V)	I_F (mA)
NOM03S72BS	Red/Green/Blue ■ ■ ■	622/527/467	120	235/1000/235	2.1/3.2/3.2	20/20/20

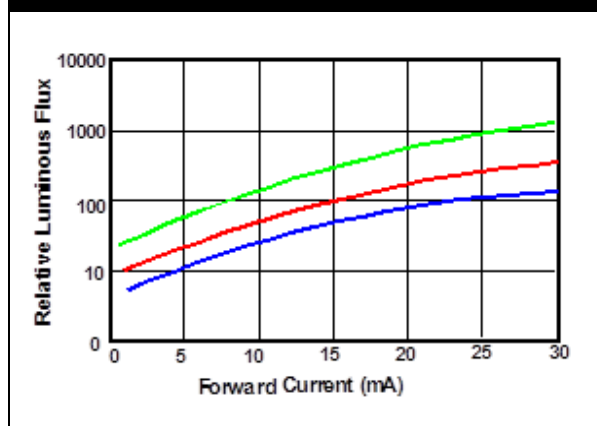
Package Dimensions (mm)



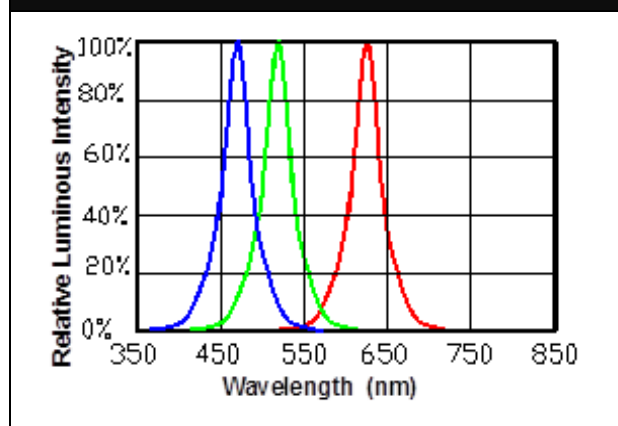
Recommended Solder Pattern



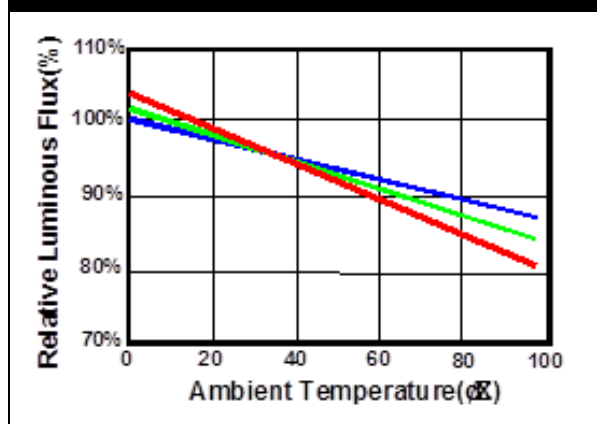
Relative Luminous Flux v.s. Forward Current



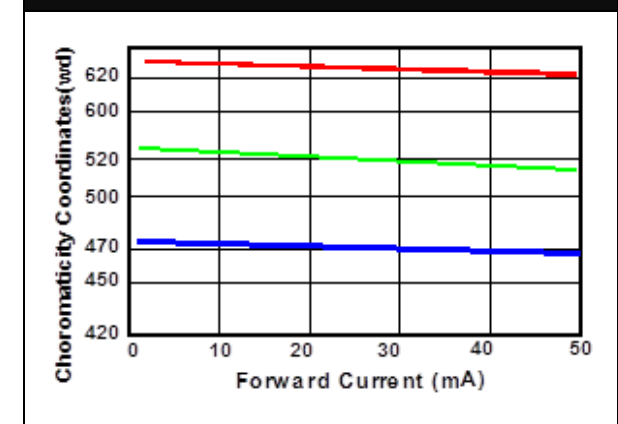
Relative Spectral Distribution



Relative Luminous Flux v.s. Ambient Temperature



Wavelength v.s. Forward Current



PLCC2 LED

3528+Lens White Package

30°



Features:

- Top View
- Narrow Viewing Angle
- Epoxy Lens
- Various Colour
- Compatible Package
- High Efficiency
- High Lumen Output
- Large Emitting Area

Applications:

- Commercial Lighting
- Indoor Lighting
- Traffic Signs
- Information Board
- Indication Lamps

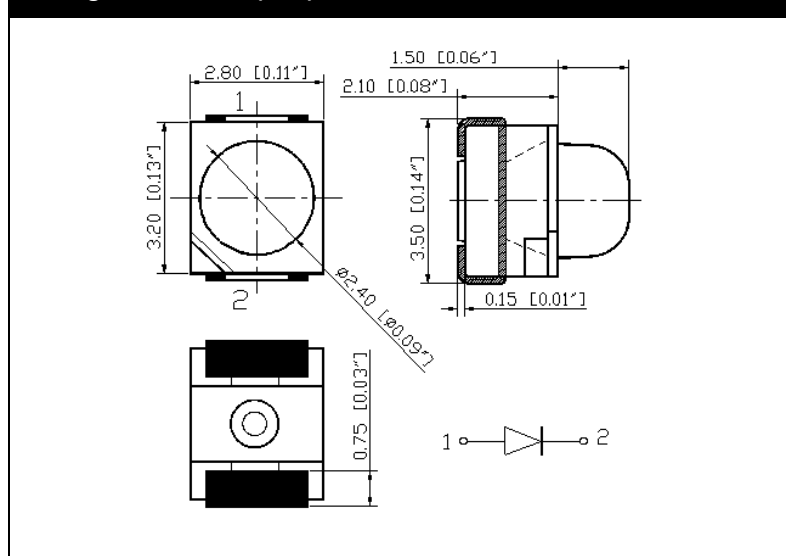
Electrical & Optical Characteristics

Part Number	Colour	CCT (K)	2θ _{1/2} (°)	I _V (mcd)	V _F (V)	I _F (mA)	I _{MAX} (mA)
N0W09S06	Sky White	5600-46500K	30	2600	3.3	20	30

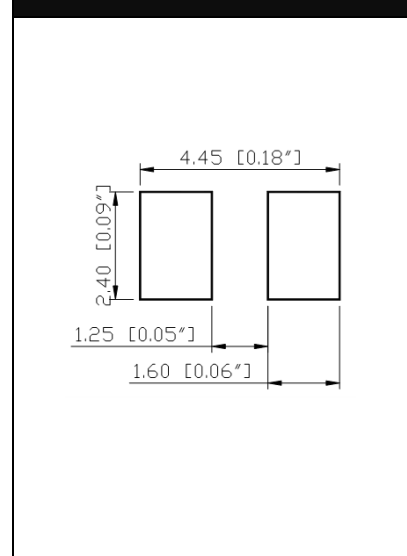
Colour Electrical & Optical Characteristics

Part Number	Colour	WL (nm)	2θ _{1/2} (°)	I _V (mcd)	V _F (V)	I _F (mA)	I _{MAX} (mA)
NOR17S18	Red	625-635nm	30	7000	2.0	20	30
NOR09S05	Red	625-635nm	30	980	2.0	20	30
NOR09S04	Red	620-630nm	30	3500	2.0	20	30
NOY18S99	Yellow	585-590nm	30	5600	2.0	20	30
NOY09S07	Yellow	565-595nm	30	1300	2.0	20	30
NOG09S02	Green	565-576nm	30	400	2.0	20	30
NOG09S03	Green	520-530nm	30	4200	3.3	20	30
NOG18S44	Green	500-510nm	30	3400	3.3	20	30
NOB09S01	Blue	462-475nm	30	900	3.3	20	30

Package Dimensions (mm)



Recommended Solder Pattern



PLCC2 LED

3528+Lens Black Surface / Package

30°



Features:

- Top View
- Narrow Viewing Angle
- Epoxy Lens
- Various Colour
- Compatible Package
- High Efficiency
- High Lumen Output
- Large Emitting Area

Applications:

- Commercial Lighting
- Indoor Lighting
- Traffic Signs
- Information Board
- Indication Lamps

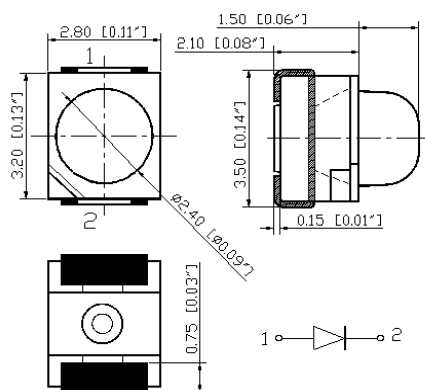
Electrical & Optical Characteristics - Black Surface Package

Part Number	Colour	WL (nm)	2θ _{1/2} (°)	I _V (mcd)	V _F (V)	I _F (mA)	I _{MAX} (mA)
NOR18S24BS	Red	620-630nm	30	3200	2.0	20	30
NOR18S25BS	Red	615-630nm	30	11000	2.8	50	55
NOA18S20BS	Amber	600-610nm	30	22000	2.8	50	55
NOY15S58BS	Yellow	585-595nm	30	1300	2.0	20	30
NOY15S67BS	Yellow	585-595nm	30	1700	2.0	20	30
NOY18S26BS	Yellow	585-595nm	30	13000	2.8	50	55
NOG18S23BS	Green	520-530nm	30	14400	3.4	50	55
NOG18S22BS	Green	500-510nm	30	2800	3.5	50	55
NOB18S21BS	Blue	460-470nm	30	2100	3.5	50	55

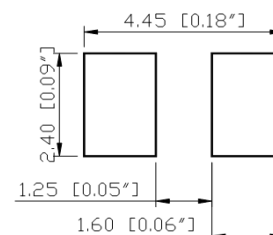
Electrical & Optical Characteristics - Black Body Package

Part Number	Colour	WL (nm)	2θ _{1/2} (°)	I _V (mcd)	V _F (V)	I _F (mA)	I _{MAX} (mA)
NOR10S38BF	Red	620-630nm	30	9000	2.0	50	55
NOR31S48BF	Red	615-630nm	30	6000	2.0	20	30
NOY18S27BF	Yellow	585-595nm	30	3600	2.0	20	30
NOY31S49BF	Yellow	585-595nm	30	9700	2.2	50	55
NOG18S45BF	Green	520-530nm	30	11500	3.2	20	30
NOB18S27BF	Blue	460-470nm	30	1900	3.3	30	35

Package Dimensions (mm)



Recommended Solder Pattern



PLCC4 LED

3528+Lens

30°



Features:

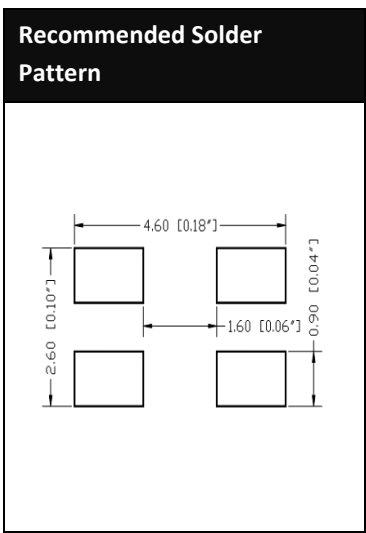
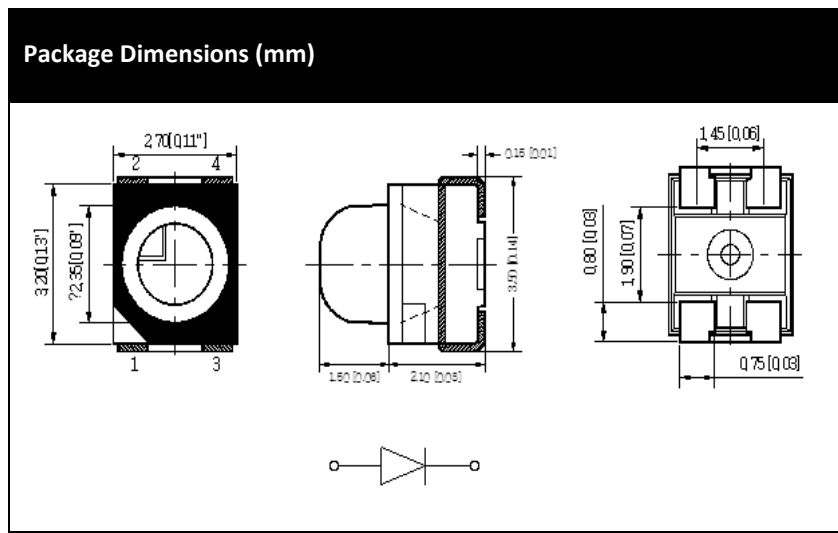
- Top View
- Narrow Viewing Angle
- Epoxy Lens
- Various Colour
- Compatible Package
- High Efficiency
- High Lumen Output
- Large Emitting Area

Applications:

- Commercial Lighting
- Indoor Lighting
- Traffic Signs
- Information Board
- Indication Lamps

Electrical & Optical Characteristics							
Part Number	Colour	WL (nm)	2θ _{1/2} (°)	I _V (mcd)	V _F (V)	I _F (mA)	I _{MAX} (mA)
NOR25S57	Red	630-650nm	30	75	2.0	20	30
NOR08S50	Red	625-635nm	30	980	2.0	20	30
NOR08S49	Red	620-630nm	30	3500	2.0	20	30
NOR08S44	Red	620-630nm	30	8000	2.5	50	70
NOA09S53	Amber	615-630nm	30	1400	2.0	20	30
NOY08S45	Yellow	588-595nm	30	6500	2.0	50	70
NOY08S52	Yellow	588-595nm	30	1600	2.0	20	30
NOY09S51	Yellow	585-595nm	30	3500	2.0	20	30
NOY09S52	Yellow	585-595nm	30	3800	2.0	20	30
NOG08S47	Green	565-576nm	30	400	2.0	20	30
NOG08S48	Green	520-530nm	30	4200	3.3	20	30
NOG08S46	Green	520-530nm	30	6200	3.5	30	30
NOB09S50	Blue	465-475nm	30	1200	3.2	20	30
NOB08S53	Blue	465-475nm	30	900	3.1	20	30

Electrical & Optical Characteristics - Black Surface Package							
Part Number	Colour	WL (nm)	2θ _{1/2} (°)	I _V (mcd)	V _F (V)	I _F (mA)	I _{MAX} (mA)
NOA19S90BS	Amber	600-610nm	30	22000	2.8	50	55



PLCC2 LED

3030 1W



Features:

- 1W High Power
- Top View
- CRI 80
- Compatible Package
- High Efficiency
- High Lumen Output
- Large Emitting Area

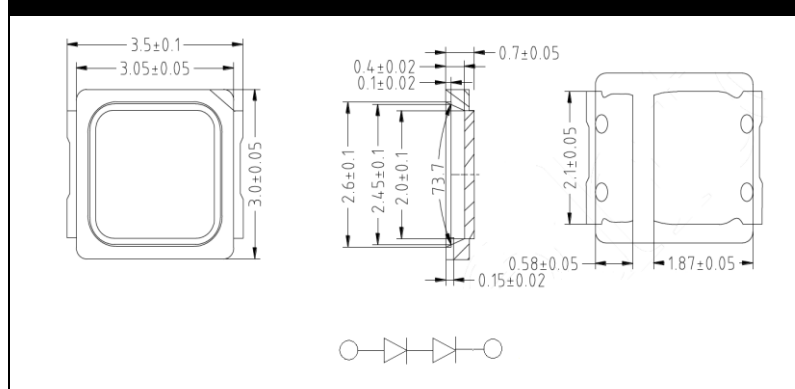
Applications:

- General Lighting
- Commercial Lighting
- Indoor Lighting
- Light Bar
- Light Strip
- Wall Washer
- Architectural Lighting

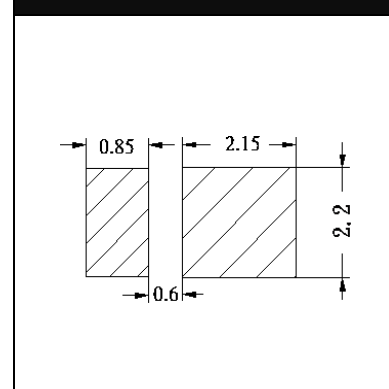
Electrical & Optical Characteristics

Part Number	Colour	CCT (K)	$2\theta_{1/2}$ (°)	Φ_V (lm)	V_F (V)	I_F (mA)	CRI
NOW08S39	Cool White	5710-6530K	120	118	6.4	150	80
NOW15S89	Natural White	3710-4260K	120	118	6.4	150	80
NOW15S90	Warm White	2725-3045K	120	108	6.4	150	80

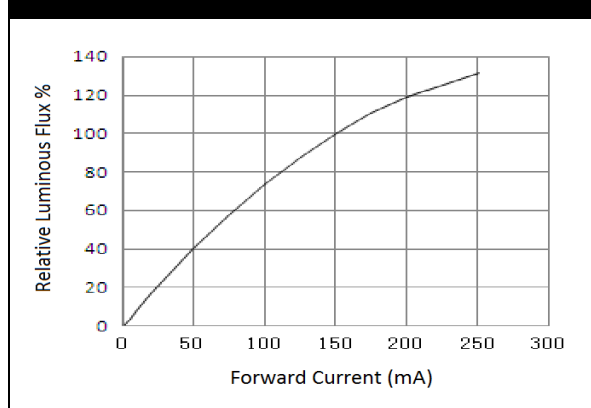
Package Dimensions (mm)



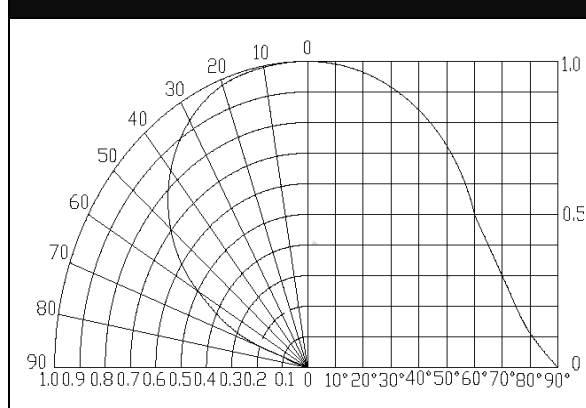
Recommended Solder Pattern



Relative Luminous Flux v.s. Forward Current



Directive Radiation



EMC LED

3030 0.2W~1.25W



Features:

- High Power LED
- Top View
- EMC Package
- CRI 80
- Compatible Package
- High Efficiency
- High Lumen Output
- Large Emitting Area

Applications:

- General Lighting
- Commercial Lighting
- Indoor Lighting
- Backlight
- Decorative Lighting
- Wall Washer
- Architectural Lighting

0.2W Electrical & Optical Characteristics (typ. at 2.8V/65mA)

Part Number	Colour	CCT (K)	$2\theta_{1/2}$ (°)	Φ_V (lm)	V_F (V)	I_F (mA)	CRI
NOW26S46	Cool White	6020-7040K	110	34	2.8	65	80
NOW26S45	Cool White	5310-6020K	110	34	2.8	65	80
NOW26S44	Natural White	4745-5311K	110	34	2.8	65	80
NOW26S43	Natural White	3710-4260K	110	34	2.8	65	80
NOW26S42	Warm White	2870-3220K	110	32	2.8	65	80
NOW26S41	Warm White	2580-2870K	110	31	2.8	65	80

1W Electrical & Optical Characteristics (typ. at 6.2V/150mA) - Standard

Part Number	Colour	CCT (K)	$2\theta_{1/2}$ (°)	Φ_V (lm)	V_F (V)	I_F (mA)	CRI
NOW20S81	Cool White	6020-7040K	110	120	6.2	150	80
NOW20S82	Cool White	5310-6020K	110	120	6.2	150	80
NOW20S83	Natural White	4745-5311K	110	120	6.2	150	80
NOW20S84	Natural White	3710-4260K	110	120	6.2	150	80
NOW20S85	Warm White	2870-3220K	110	112	6.2	150	80
NOW20S86	Warm White	2580-2870K	110	107	6.2	150	80

1W Electrical & Optical Characteristics (typ. at 6.2V/150mA) - High Performance

Part Number	Colour	CCT (K)	$2\theta_{1/2}$ (°)	Φ_V (lm)	V_F (V)	I_F (mA)	CRI
NOW20S91	Cool White	6020-7040K	110	131	6.2	150	80
NOW20S92	Cool White	5310-6020K	110	131	6.2	150	80
NOW20S93	Natural White	4745-5311K	110	131	6.2	150	80
NOW20S94	Natural White	3710-4260K	110	131	6.2	150	80
NOW20S95	Warm White	2870-3220K	110	124	6.2	150	80
NOW20S96	Warm White	2580-2870K	110	119	6.2	150	80

1W Electrical & Optical Characteristics (typ. at 3.2V/350mA)

Part Number	Colour	CCT (K)	$2\theta_{1/2}$ (°)	Φ_V (lm)	V_F (V)	I_F (mA)	CRI
NOW30S21	Cool White	6020-7040K	110	140	3.2	350	80
NOW30S22	Cool White	5310-6020K	110	140	3.2	350	80
NOW30S23	Natural White	4745-5311K	110	140	3.2	350	80
NOW30S24	Natural White	3710-4260K	110	140	3.2	350	80
NOW30S25	Warm White	2870-3220K	110	130	3.2	350	80
NOW30S26	Warm White	2580-2870K	110	125	3.2	350	80




1W Electrical & Optical Characteristics (typ. at 18.0V/60mA)

Part Number	Colour	CCT (K)	$2\theta_{1/2}$ (°)	Φ_V (lm)	V_F (V)	I_F (mA)	CRI
NOW30S31	Cool White	6020-7040K	110	134	18.0	60	80
NOW30S32	Cool White	5310-6020K	110	134	18.0	60	80
NOW30S33	Natural White	4745-5311K	110	134	18.0	60	80
NOW30S34	Natural White	3710-4260K	110	134	18.0	60	80
NOW30S35	Warm White	2870-3220K	110	125	18.0	60	80
NOW30S36	Warm White	2580-2870K	110	122	18.0	60	80

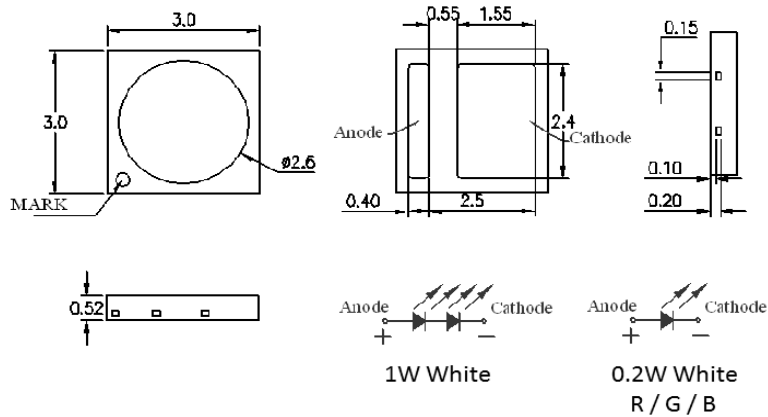
1.25W Electrical & Optical Characteristics (typ. at 50.0V/25mA)

Part Number	Colour	CCT (K)	$2\theta_{1/2}$ (°)	Φ_V (lm)	V_F (V)	I_F (mA)	CRI
NOW21S01	Cool White	6020-7040K	110	148	50.0	25	80
NOW21S02	Cool White	5310-6020K	110	148	50.0	25	80
NOW21S03	Natural White	4745-5311K	110	148	50.0	25	80
NOW21S04	Natural White	3710-4260K	110	148	50.0	25	80
NOW21S05	Warm White	2870-3220K	110	139	50.0	25	80
NOW21S06	Warm White	2580-2870K	110	139	50.0	25	80

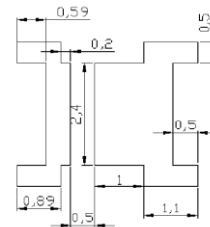
Colour Electrical & Optical Characteristics (typ. at 350mA)

Part Number	Colour	WL (nm)	$2\theta_{1/2}$ (°)	Φ_V (lm)	V_F (V)	I_F (mA)	I_{MAX} (mA)
NOR20S89	Red 	620-630nm	120	44	2.2	350	500
NOG20S88	Green 	520-535nm	120	74	3.0	350	500
NOB20S87	Blue 	455-470nm	120	19	3.1	350	500

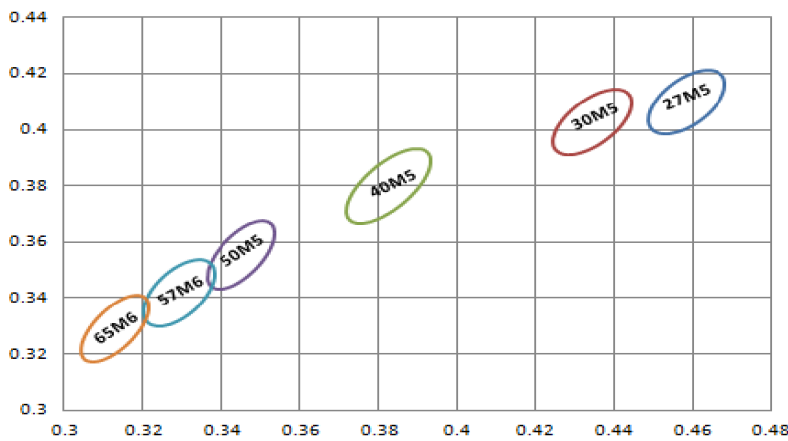
Package Dimensions (mm)



Recommended Solder Pattern



CIE Chromaticity Diagram

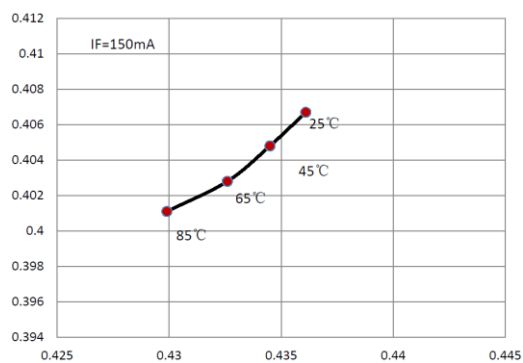


Standard MacAdam Ellipse:

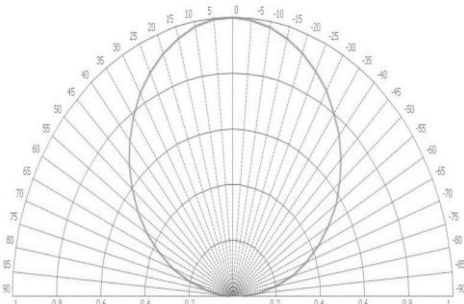
- 6020-7040K - 6 STEP
- 5310-6020K - 6 STEP
- 4745-5311K - 5 STEP
- 3710-4260K - 5 STEP
- 2870-3220K - 5 STEP
- 2580-2870K - 5 STEP

2~4 STEP also available, please contact for details.

Ambient Temperature v.s. CIE X, Y Shift



Directive Radiation



SMC LED

3030 0.2~1W Colour

30°

90°



Features:

- Mid / High Power LED
- Top View
- EMC Package
- Narrow Viewing Angle
- Compatible Package
- High Efficiency
- High Lumen Output

Applications:

- Commercial Lighting
- Decorative Lighting
- Information Board
- Automotive
- Architectural Lighting

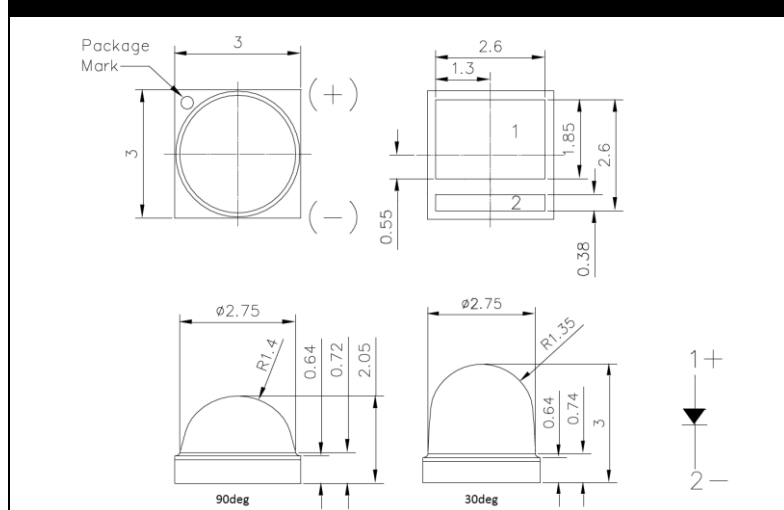
30° Electrical & Optical Characteristics

Part Number	Colour	WL (nm)	2 $\theta_{1/2}$ (°)	Φ_V (lm)	V _F (V)	I _F (mA)	I _{MAX} (mA)
NOR25S51	Red	620-630nm	30	60	2.2	350	500
NOR26S73	Red	620-630nm	30	11	2.3	70	100
NOR25S49	Red	612-620nm	30	12	2.3	70	100
NOY26S72	Yellow	585-595nm	30	12	2.3	70	100
NOG25S52	Green	520-530nm	30	100	3.2	350	500
NOB25S53	Blue	460-470nm	30	28	3.2	350	500

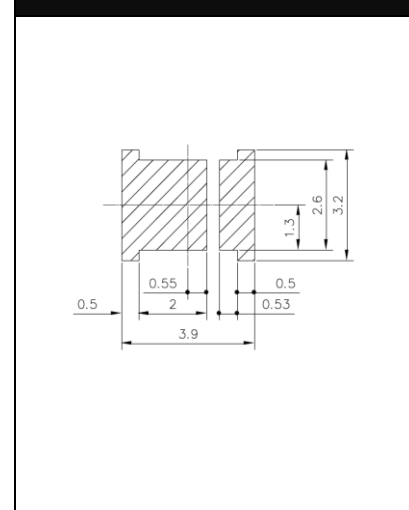
90° Colour Electrical & Optical Characteristics

Part Number	Colour	WL (nm)	2 $\theta_{1/2}$ (°)	Φ_V (lm)	V _F (V)	I _F (mA)	I _{MAX} (mA)
NOR25S54	Red	620-630nm	90	60	2.2	350	500
NOG25S55	Green	520-530nm	90	100	3.2	350	500
NOB25S56	Blue	460-470nm	90	28	3.2	350	500

Package Dimensions (mm)



Recommended Solder Pattern



PLCC6 LED

3535 RGB





Features:

- Mid Power LED
- Top View
- Black Housing
- Excellent White Balance
- Compatible Package
- High Efficiency
- High Intensity Output
- 6 Soldering Pins

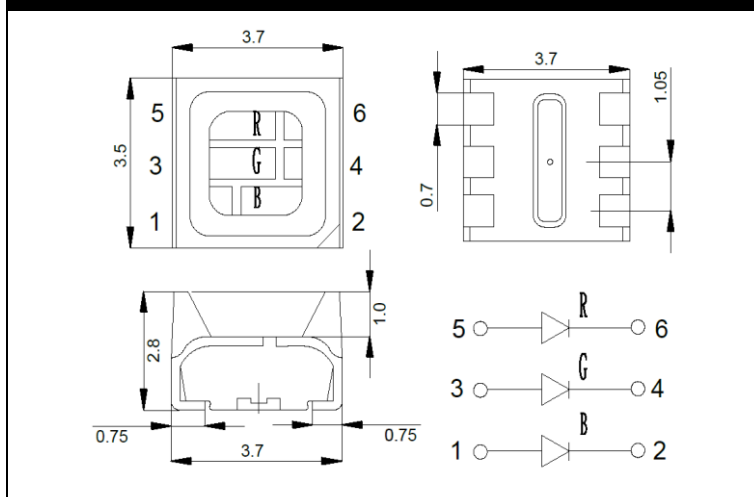
Applications:

- Commercial Lighting
- Decorative Lighting
- Indication Light
- LED Display
- Signal Board
- Light Strip

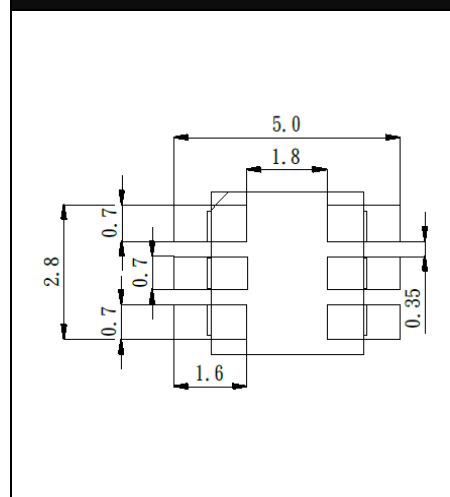
Electrical & Optical Characteristics

Part Number	Colour	WL (nm)	$2\theta_{1/2}$ (°)	I_V (mcd)	V_F (V)	I_F (mA)
NOM18S90BF	Red/Green/Blue 	621/525/466	120	710/1730/330	2.1/3.2/3.2	20/20/20
NOM33S10BF	Red/Green/Blue 	621/525/466	120	710/1730/420	2.1/3.1/3.1	20/20/20

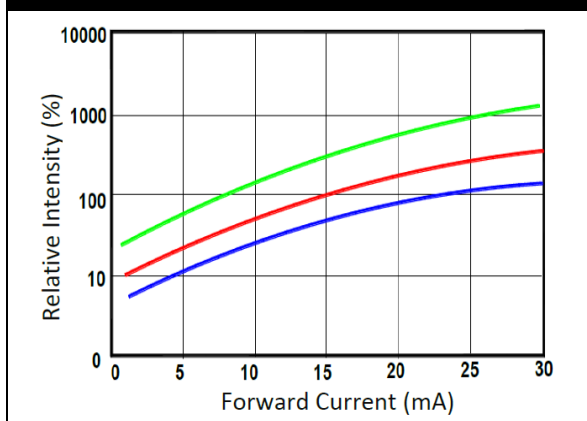
Package Dimensions (mm)



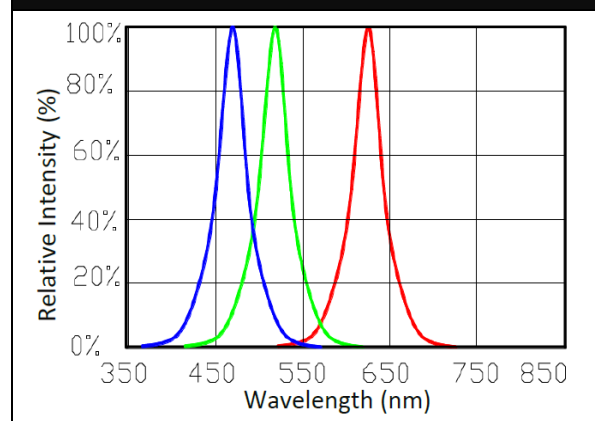
Recommended Solder Pattern



Relative Luminous Flux v.s. Forward Current



Relative Spectral Distribution



Ceramic LED

3535 Flip-Chip 1~3W



Features:

- High Power LED
- Top View
- Ceramic Package
- Flip-Chip
- Eutectic Die-Bonding
- High Efficiency
- High Lumen Output
- Compatible Package

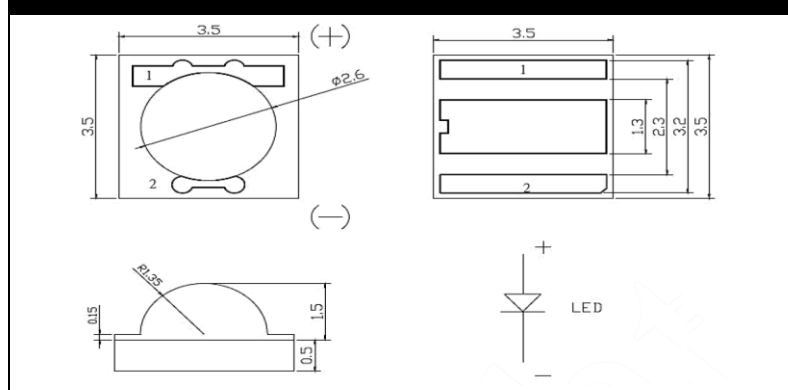
Applications:

- General Lighting
- Commercial Lighting
- Indoor Lighting
- Outdoor Lighting
- Street Light
- Decorative Lighting
- Portable Torch
- Architectural Lighting

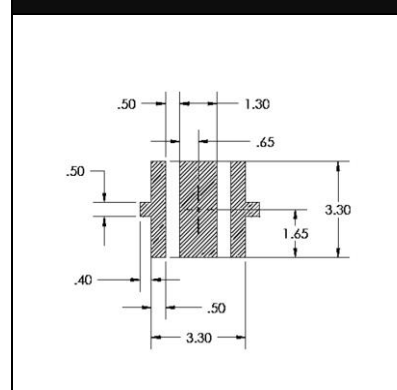
Electrical & Optical Characteristics

Part Number	Colour	CCT (K)	$2\theta_{1/2}$ (°)	Φ_V (lm)	V_F (V)	I_F (mA)	CRI
NOW10S00	Cool White	5710-6530K	120	120/210/270	3.0	350/700/1000	80
NOW09S99	Cool White	5710-6530K	120	130/227/292	3.0	350/700/1000	70
NOW16S69	Cool White	5310-6020K	120	120/210/270	3.2	350/700/1000	80
NOW10S01	Cool White	4746-5310K	120	130/227/292	3.0	350/700/1000	70
NOW10S03	Natural White	3710-4260K	120	110/192/247	3.0	350/700/1000	80
NOW10S02	Natural White	3710-4260K	120	130/227/292	3.0	350/700/1000	70
NOW09S09	Warm White	2725-3045K	120	110/192/247	3.0	350/700/1000	80
NOW10S05	Warm White	1980-2240K	120	80/140/180	3.0	350/700/1000	70

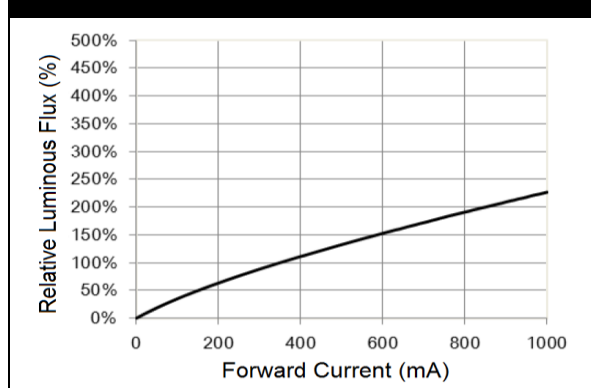
Package Dimensions (mm)



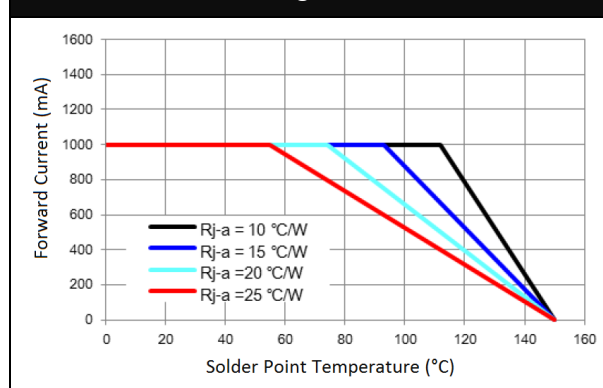
Recommended Solder Pattern



Relative Luminous Flux v.s. Forward Current

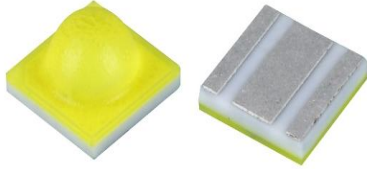


Forward Current Derating Curve



Ceramic LED

3535 1W / 3W White



Features:

- High Power LED
- Top View
- Ceramic Package
- Low Thermal Resistance
- Compatible Package
- High Efficiency
- High Lumen Output
- Large Emitting Area

Applications:

- General Lighting
- Commercial Lighting
- Indoor Lighting
- Outdoor Lighting
- Backlight
- Decorative Lighting
- Portable Torch
- Architectural Lighting

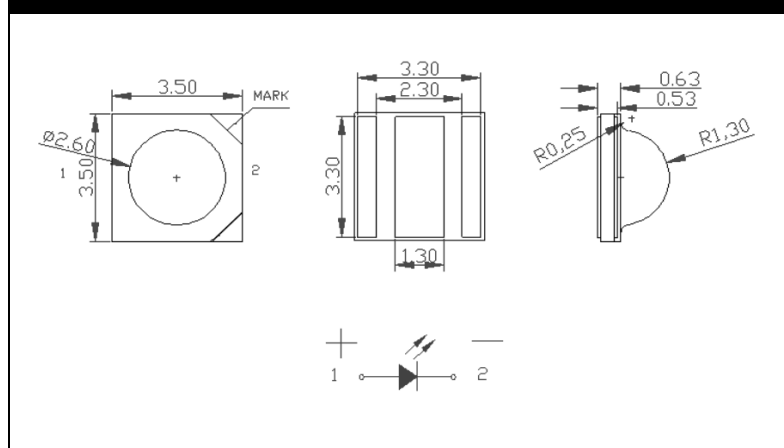
1W Electrical & Optical Characteristics

Part Number	Colour	CCT (K)	$2\theta_{1/2}$ (°)	Φ_V (lm)	V_F (V)	I_F (mA)	CRI
NOW21S21	Cool White	6020-7040K	120	164	3.2	350	70
NOW21S22	Cool White	5700-6500K	120	164	3.2	350	70
NOW21S23	Cool White	5310-6020K	120	164	3.2	350	70
NOW21S24	Natural White	4745-5311K	120	164	3.2	350	70
NOW21S25	Natural White	3710-4260K	120	164	3.2	350	70
NOW21S26	Warm White	2870-3220K	120	156	3.2	350	70
NOW21S27	Warm White	2580-2870K	120	148	3.2	350	70

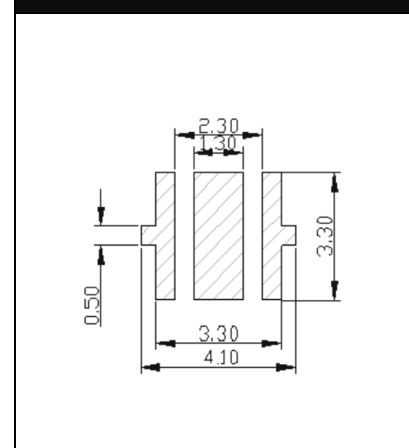
3W Electrical & Optical Characteristics

Part Number	Colour	CCT (K)	$2\theta_{1/2}$ (°)	Φ_V (lm)	V_F (V)	I_F (mA)	CRI
NOW26S37	Cool White	6020-7040K	130	366	3.2	1000	70
NOW26S36	Cool White	5700-6500K	130	376	3.2	1000	70
NOW26S35	Cool White	5310-6020K	130	378	3.2	1000	70
NOW26S34	Natural White	4745-5311K	130	378	3.2	1000	70
NOW26S33	Natural White	3710-4260K	130	357	3.2	1000	70
NOW26S32	Warm White	2870-3220K	130	331	3.2	1000	70
NOW26S31	Warm White	2580-2870K	130	328	3.2	1000	70

Package Dimensions (mm)



Recommended Solder Pattern



Ceramic LED

3535 1~2W Colour



Features:

- High Power LED
- Top View
- Ceramic Package
- High Current Input
- Various Colours
- High Efficiency
- High Lumen Output
- Compatible Package

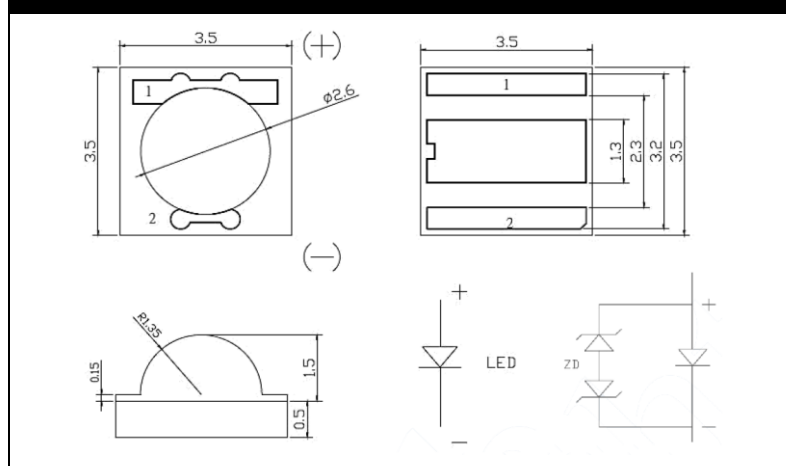
Applications:

- Commercial Lighting
- Decorative Lighting
- Portable Torch
- Architectural Lighting
- Street Light
- Wall Washer
- Stage Lighting

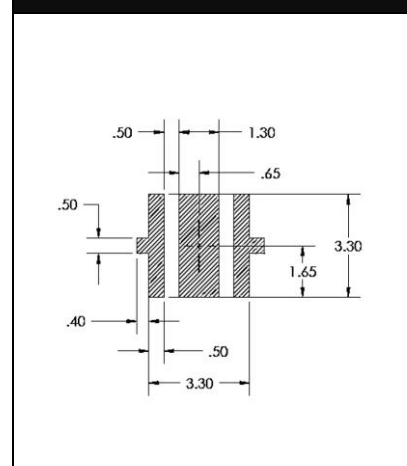
Electrical & Optical Characteristics

Part Number	Colour	WL (nm)	$2\theta_{1/2}$ (°)	Φ_V (lm)	V_F (V)	I_F (mA)	Zener
NOR09S83	Red	650-670nm	120	18/30	2.4	350/700	-
NOR09S78	Red	620-630nm	120	50/85	2.4	350/700	-
NOY09S81	Yellow	585-595nm	120	55/93	2.4	350/700	-
NOG09S79Z	Green	520-530nm	120	100/165	3.4	350/700	Yes
NOG31S55Z	Green	500-510nm	120	95/158	3.2	350/700	Yes
NOG31S56Z	Green	500-510nm	60	95/158	3.2	350/700	Yes
NOB29S15Z	Blue	480-490nm	120	40/67	3.2	350/700	Yes
NOB16S70Z	Blue	470-480nm	120	35/56	3.4	350/700	Yes
NOB09S80Z	Blue	460-470nm	120	28/46	3.4	350/700	Yes
NOB09S84Z	Blue	450-460nm	120	16/26	3.4	350/700	Yes

Package Dimensions (mm)



Recommended Solder Pattern



EMC LED Index:

- 161627
- 201628-29
- 301433
- 302038-39
- 303049-52
- 505061

Ceramic LED Index:

- 353554-56
- 505062

PLCC2 LED

4014 0.2W White



Features:

- Mid Power LED
- Top View
- Various CCT
- CRI 80
- Compatible Package
- High Efficiency
- High Lumen Output
- Large Emitting Area

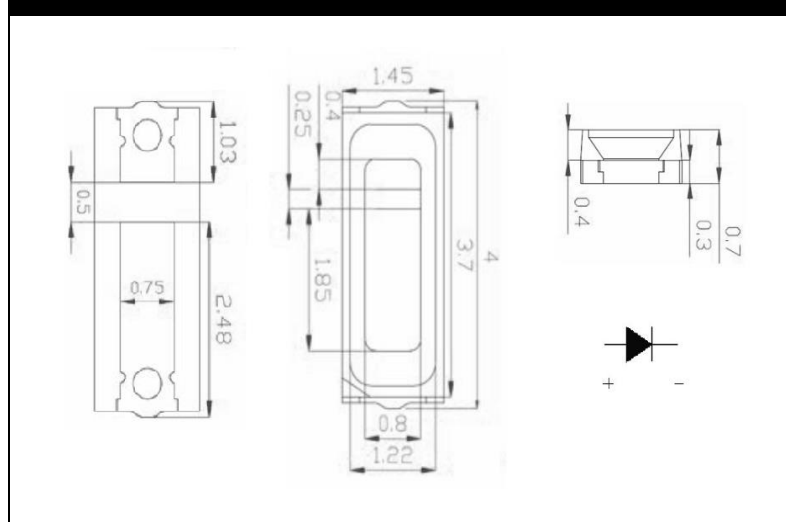
Applications:

- General Lighting
- Commercial Lighting
- Indoor Lighting
- Backlighting
- Decorative Lighting

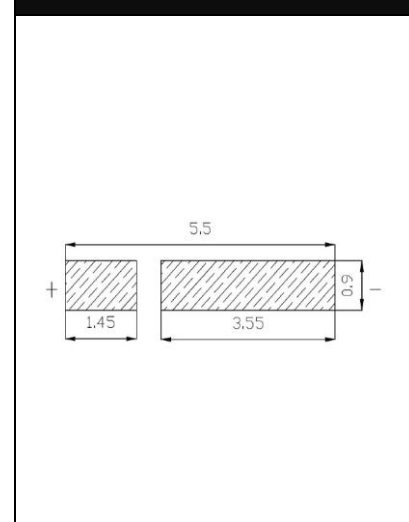
Electrical & Optical Characteristics

Part Number	Colour	CCT (K)	$2\theta_{1/2}$ (°)	Φ_V (lm)	V_F (V)	I_F (mA)	CRI
N0W24S40	Cool White	6175-6825K	120	26	3.2	60	80
N0W24S41	Cool White	6020-6530K	120	26	3.2	60	80
N0W24S42	Cool White	5477-6020K	120	26	3.2	60	80
N0W24S43	Natural White	4900-5300K	120	26	3.2	60	80
N0W24S44	Natural White	3897-4223K	120	26	3.2	60	80
N0W24S45	Warm White	3265-3535K	120	24	3.2	60	80
N0W24S46	Warm White	2855-3025K	120	24	3.2	60	80
N0W24S47	Warm White	2645-2805K	120	24	3.2	60	80

Package Dimensions (mm)



Recommended Solder Pattern



PLCC6 LED

5050 0.2W White



Features:

- Mid Power LED
- Top View
- Various CCT
- Large Emitting Area
- 6 Soldering Pins
- High Efficiency
- High Lumen Output
- Compatible Package

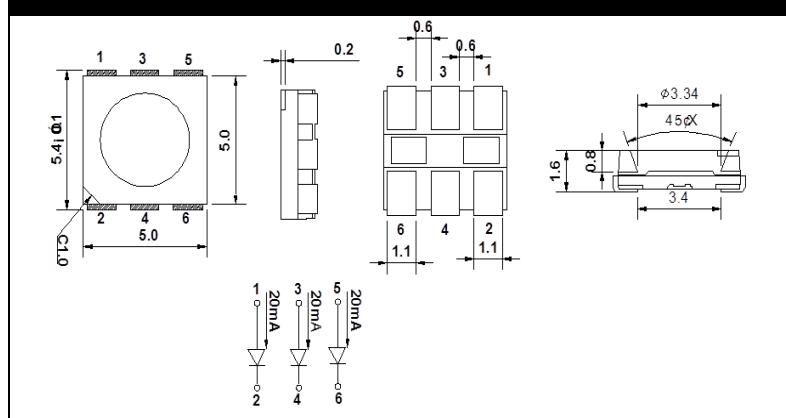
Applications:

- General Lighting
- Commercial Lighting
- Indoor Lighting
- Decorative Lighting
- Portable Torch
- Architectural Lighting
- LED Light Strip

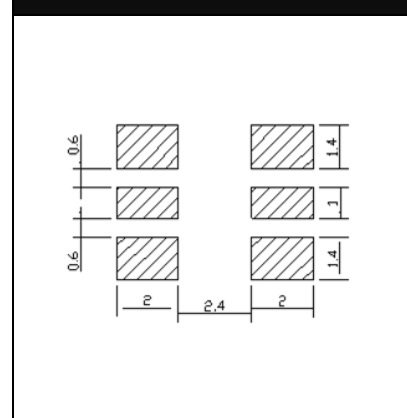
Electrical & Optical Characteristics

Part Number	Colour	CCT (K)	$2\theta_{1/2}$ (°)	Φ_V (lm)	I_V (mcd)	V_F (V)	I_F (mA)	CRI
NOW28S54Z	Cool White	6000-10100K	120	22	6900	3.2	60	80
NOW13S66	Cool White	6000-7400K	120	22	6900	3.2	60	85
NOW13S70	Cool White	5000-6000K	120	21.7	6900	3.2	60	70
NOW13S73Z	Natural White	4240-4600K	120	21.4	6800	3.1	60	70
NOW13S81	Warm White	2760-3160K	120	22.0	7000	3.2	60	80
NOW06S96	Warm White	2400-2760K	120	22.0	7000	3.2	60	70
NOW13S82	Warm White	2230-2580K	120	18.9	6000	3.2	60	70

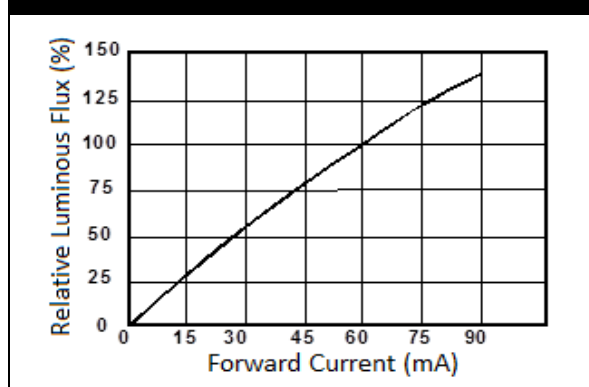
Package Dimensions (mm)



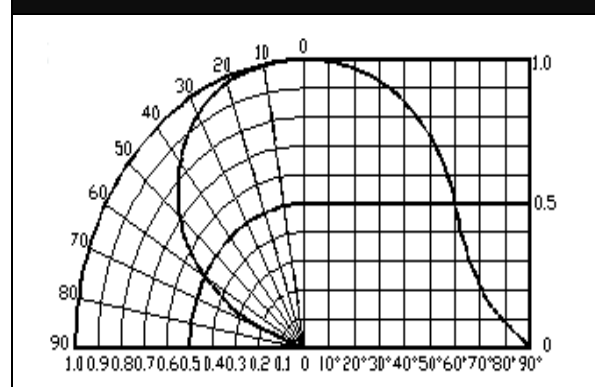
Recommended Solder Pattern



Relative Luminous Flux v.s. Forward Current



Directive Radiation



PLCC6 LED

5050 0.2W Colour / RGB



Features:

- Mid Power LED
- Top View
- Various Colour
- Single / Multi-Colours
- Compatible Package
- High Efficiency
- High Lumen Output
- Large Emitting Area

Applications:

- Commercial Lighting
- Decorative Lighting
- Information Board
- LED Display
- LED Light Strip
- LED Light Bar

Colour Electrical & Optical Characteristics - White Package

Part Number	Colour	WL (nm)	$2\theta_{1/2}$ (°)	I_V (mcd)	V_F (V)	I_F (mA)	I_{MAX} (mA)
NOR13S17	Red	620-635nm	120	1900	1.9	60	150
NOA06S91	Amber	600-615nm	120	1800	1.9	60	90
NOY13S19	Yellow	585-597nm	120	1900	2.0	60	90
NOG06S92	Green	520-535nm	120	4600	3.3	60	90
NOB04S85	Blue	462-473nm	120	1000	3.3	60	90

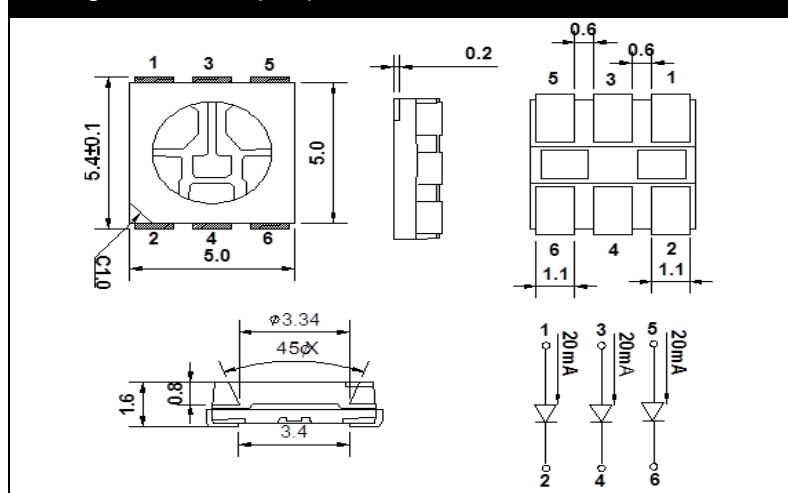
RGB Electrical & Optical Characteristics - White Package

Part Number	Colour	WL (nm)	$2\theta_{1/2}$ (°)	I_V (mcd)	V_F (V)	I_F (mA)
NOM03S95	Red/Green/Blue	622/527/468nm	120	700/1750/320	2/3.2/3.2	20/20/20
NOM18S28	Red/Green/Blue	630/520/465nm	120	160/1000/160	2.0/3.3/3.2	20/20/20

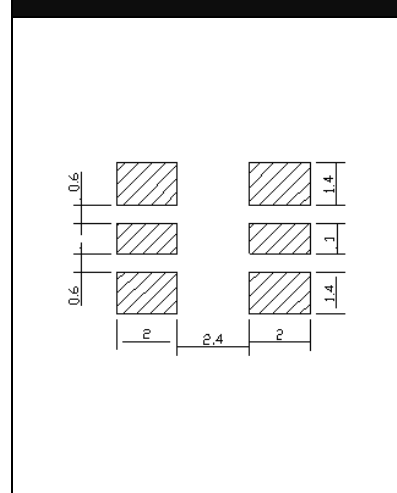
RGB Colour Electrical & Optical Characteristics - Black Surface Package

Part Number	Colour	WL (nm)	$2\theta_{1/2}$ (°)	I_V (mcd)	V_F (V)	I_F (mA)
NOM03S88BS	Red/Green/Blue	623/525/470nm	120	860/1650/350	1.9/3.2/3.2	20/20/20

Package Dimensions (mm)



Recommended Solder Pattern



PLCC6 LED

5050 Extend RGB



Features:

- Mid Power LED
- Top View
- Various Colour
- Single / Multi-Colours
- Compatible Package
- High Efficiency
- High Lumen Output
- Large Emitting Area

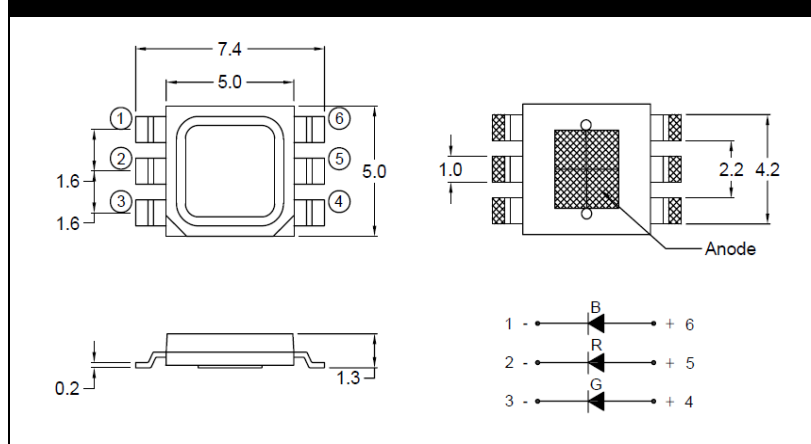
Applications:

- Commercial Lighting
- Decorative Lighting
- Information Board
- LED Display
- LED Light Strip
- LED Light Bar

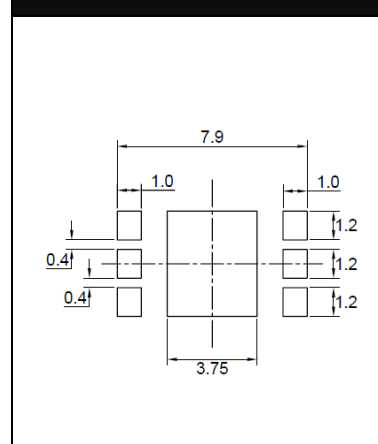
Colour Electrical & Optical Characteristics

Part Number	Colour	WL (nm)	$2\theta_{1/2}$ (°)	Φ_V (lm)	V_F (V)	I_F (mA)
NOM31S15	Red/Green/Blue ■ ■ ■	630/525/470nm	120	21/30/8	2.1/3.2/3.2	150/150/150

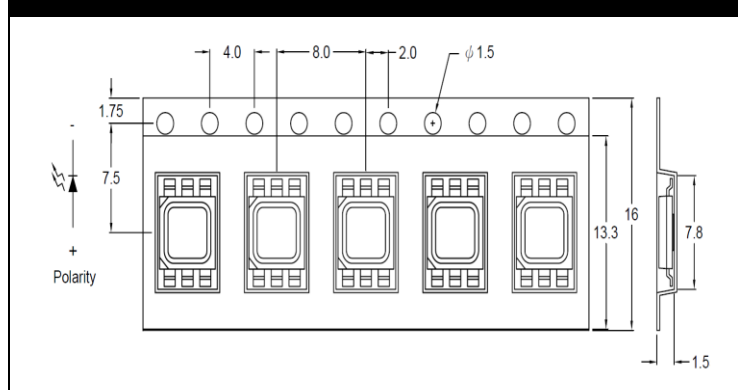
Package Dimensions (mm)



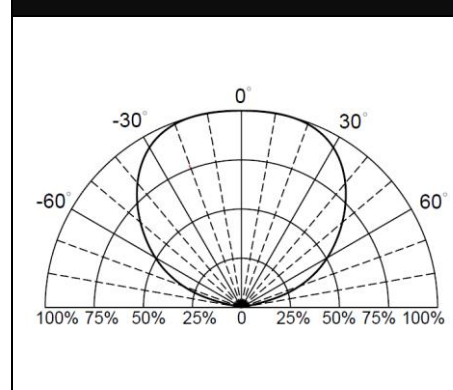
Recommended Solder Pattern



Reel Dimensions (mm)

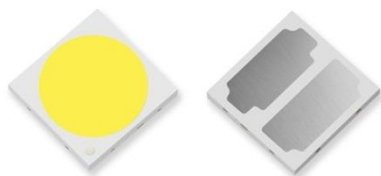


Directive Radiation



EMC LED

5050 3.6W / 5.2W White



Features:

- High Power LED
- Top View
- EMC Package
- CRI 80
- Compatible Package
- High Efficiency
- High Lumen Output
- Large Emitting Area

Applications:

- General Lighting
- Commercial Lighting
- Indoor Lighting
- Decorative Lighting
- Architectural Lighting

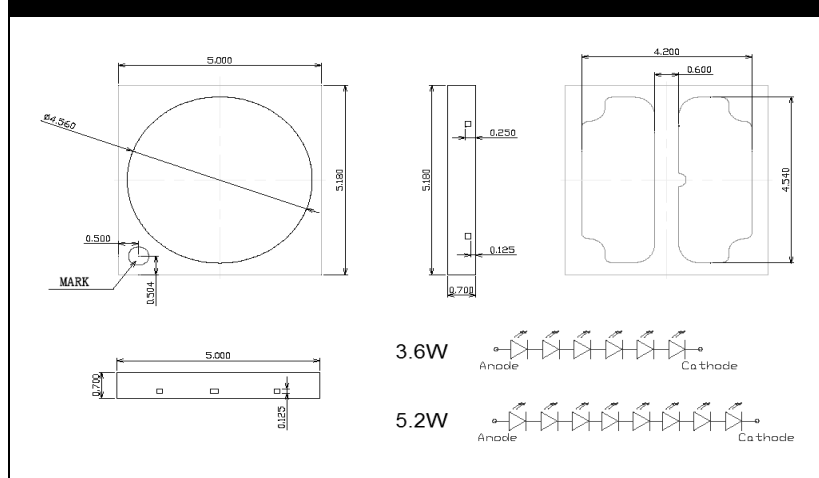
3.6W Electrical & Optical Characteristics

Part Number	Colour	CCT (K)	$2\theta_{1/2}$ (°)	Φ_V (lm)	V_F (V)	I_F (mA)	CRI
NOW21S41	Cool White	6020-7040K	115	500	18.0	200	80
NOW21S42	Cool White	5310-6020K	115	500	18.0	200	80
NOW21S43	Natural White	4745-5311K	115	500	18.0	200	80
NOW21S44	Natural White	3710-4260K	115	500	18.0	200	80
NOW21S45	Warm White	2870-3220K	115	490	18.0	200	80
NOW21S46	Warm White	2580-2870K	115	460	18.0	200	80

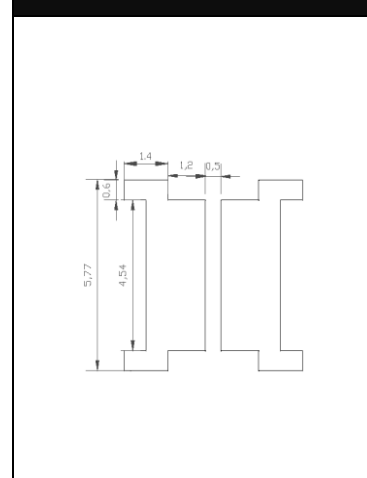
5.2W Electrical & Optical Characteristics

Part Number	Colour	CCT (K)	$2\theta_{1/2}$ (°)	Φ_V (lm)	V_F (V)	I_F (mA)	CRI
NOW21S51	Cool White	6020-7040K	115	650	26.0	200	80
NOW21S52	Cool White	5310-6020K	115	680	26.0	200	80
NOW21S53	Natural White	4745-5311K	115	680	26.0	200	80
NOW21S54	Natural White	3710-4260K	115	680	26.0	200	80
NOW21S55	Warm White	2870-3220K	115	630	26.0	200	80
NOW21S56	Warm White	2580-2870K	115	580	26.0	200	80

Package Dimensions (mm)

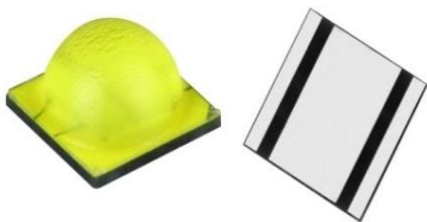


Recommended Solder Pattern



Ceramic LED

5050 4.2W White



Features:

- High Power LED
- Top View
- Ceramic Package
- Low Thermal Resistance
- Compatible Package
- High Efficiency
- High Lumen Output
- Large Emitting Area

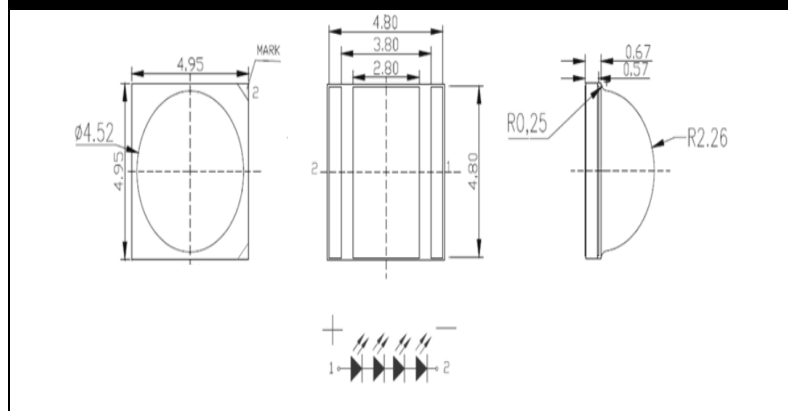
Applications:

- General Lighting
- Commercial Lighting
- Indoor Lighting
- Outdoor Lighting
- Decorative Lighting
- Portable Torch
- Architectural Lighting
- Street Light

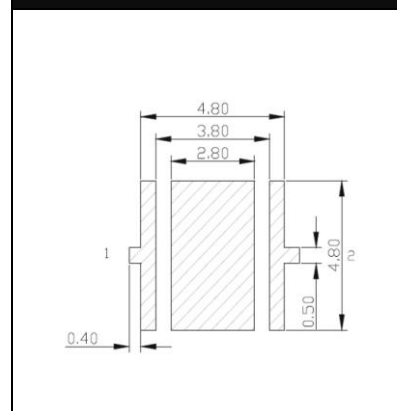
Electrical & Optical Characteristics

Part Number	Colour	CCT (K)	$2\theta_{1/2}$ (°)	Φ_V (lm)	V_F (V)	I_F (mA)	CRI
NOW21S31	Cool White	6020-7040K	145	445	12.0	350	70
NOW21S32	Cool White	5700-6500K	145	480	12.0	350	70
NOW21S33	Cool White	5310-6020K	145	475	12.0	350	70
NOW21S34	Natural White	4745-5311K	145	460	12.0	350	70
NOW21S35	Natural White	3710-4260K	145	430	12.0	350	70
NOW21S36	Warm White	2870-3220K	145	415	12.0	350	70
NOW21S37	Warm White	2580-2870K	145	400	12.0	350	70

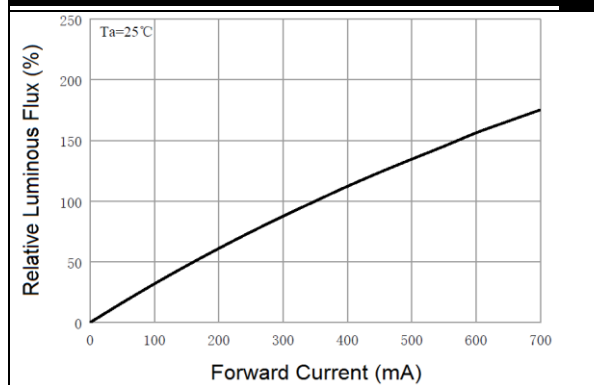
Package Dimensions (mm)



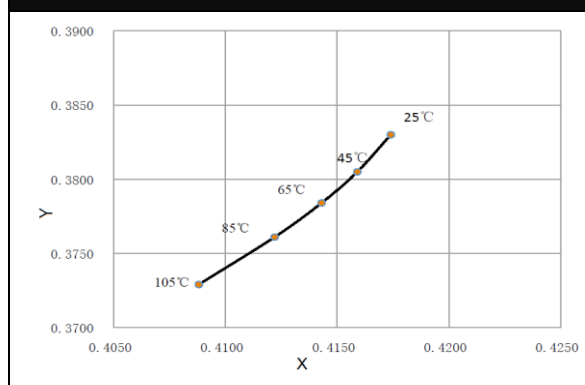
Recommended Solder Pattern



Relative Luminous Flux v.s. Forward Current



CIE X, Y Shift v.s. Ta



PLCC4 LED

5630 0.5W White



Features:

- Mid Power LED
- Top View
- Individual Heat Path
- Large Emitting Area
- Various CCT and CRI
- High Efficiency
- High Lumen Output
- Compatible Package

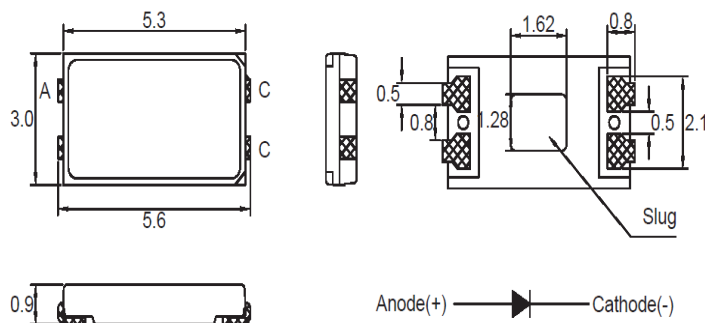
Applications:

- General Lighting
- Commercial Lighting
- Indoor Lighting
- Decorative Lighting
- Portable Torch
- Architectural Lighting

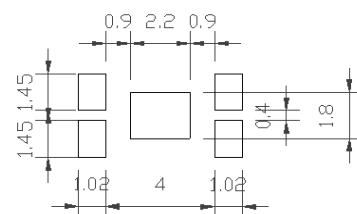
Electrical & Optical Characteristics

Part Number	Colour	CCT (K)	$2\theta_{1/2}$ (°)	Φ_V (lm)	V_F (V)	I_F (mA)	CRI
NOW29S00	Cool White	6020-6530K	120	63	3.2	150	80
NOW29S01	Cool White	5028-5477K	120	63	3.2	150	80
NOW29S02	Natural White	3985-4260K	120	63	3.2	150	80
NOW29S03	Warm White	3465-5710K	120	57	3.2	150	80
NOW29S04	Warm White	3045-3220K	120	57	3.2	150	80
NOW29S05	Warm White	2725-2870K	120	57	3.2	150	80

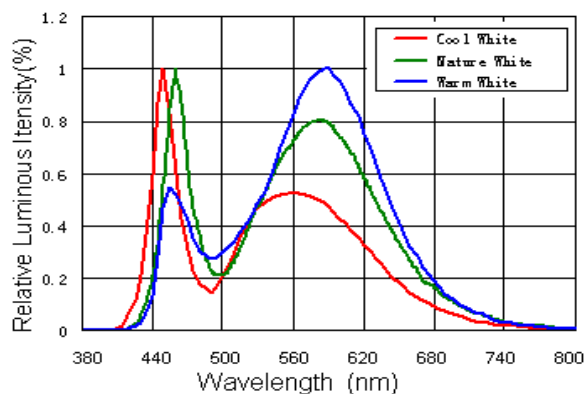
Package Dimensions (mm)



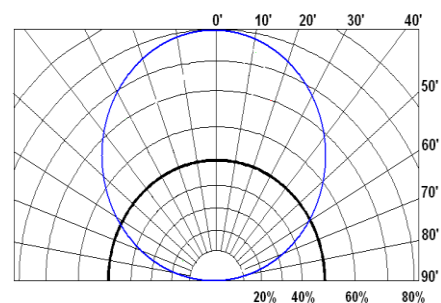
Recommended Solder Pattern



Relative Spectral Distribution



Directive Radiation



PLCC2 LED

5730 0.5W White



Features:

- Mid Power LED
- Top View
- CRI 80
- Individual Heat Path
- Compatible Package
- High Efficiency
- High Lumen Output
- Large Emitting Area

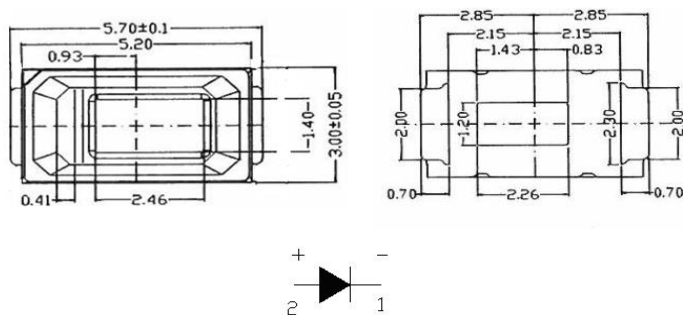
Applications:

- General Lighting
- Commercial Lighting
- Indoor Lighting
- Backlight
- Decorative Lighting

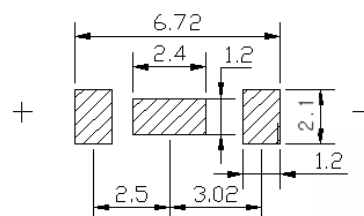
Electrical & Optical Characteristics

Part Number	Colour	CCT (K)	$2\theta_{1/2}$ (°)	Φ_V (lm)	V_F (V)	I_F (mA)	CRI
NOW24S50	Cool White	6175-6825K	120	64	3.2	150	80
NOW24S51	Cool White	6020-6530K	120	64	3.2	150	80
NOW24S52	Cool White	5477-6020K	120	64	3.2	150	80
NOW24S53	Natural White	4900-5300K	120	64	3.2	150	80
NOW24S54	Natural White	3897-4223K	120	64	3.2	150	80
NOW24S55	Warm White	3265-3535K	120	59	3.2	150	80
NOW24S56	Warm White	2855-3025K	120	59	3.2	150	80
NOW24S57	Warm White	2645-2805K	120	59	3.2	150	80

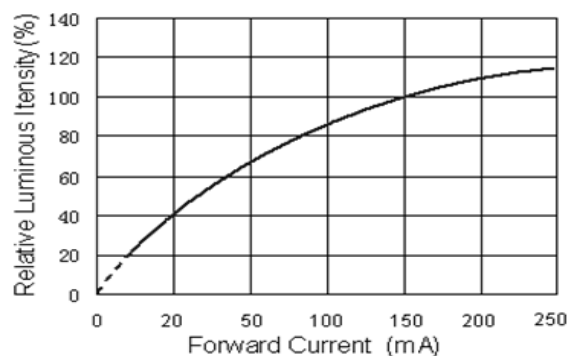
Package Dimensions (mm)



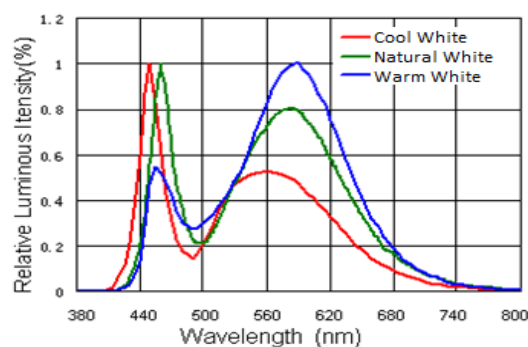
Recommended Solder Pattern



Relative Luminous Flux v.s. Forward Current



Relative Spectrum Distribution



PLCC2 LED

7020 0.5W White



Features:

- Mid Power LED
- Top View
- Large Emitting Area
- With Zener Diode
- Various CCT Choice
- High Efficiency
- High Lumen Output
- Compatible Package

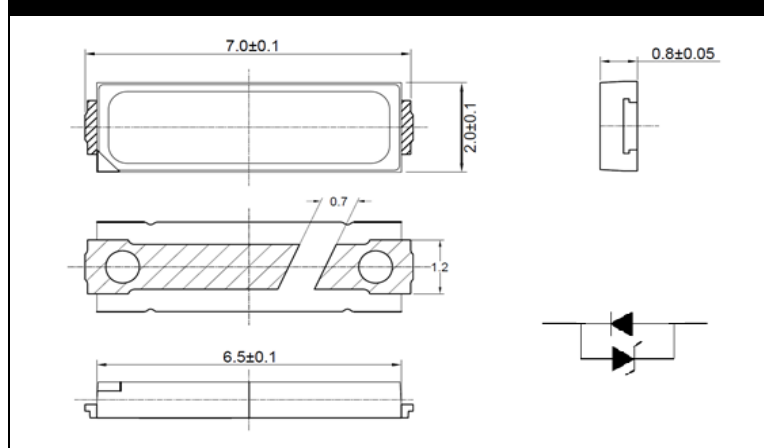
Applications:

- Backlighting
- Commercial Lighting
- General Lighting
- Indoor Lighting

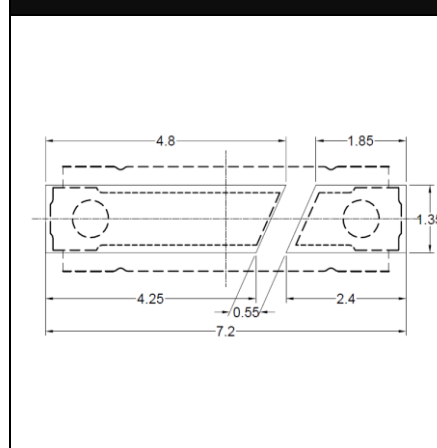
Electrical & Optical Characteristics

Part Number	Colour	CCT (K)	$2\theta_{1/2}$ (°)	Φ_V (lm)	V_F (V)	I_F (mA)	I_{MAX} (mA)
N0W02S85	Sky White	2580-178000K	120	48	3.2	150	200

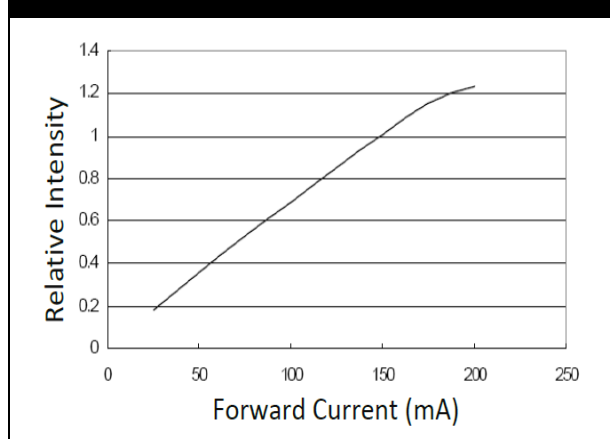
Package Dimensions (mm)



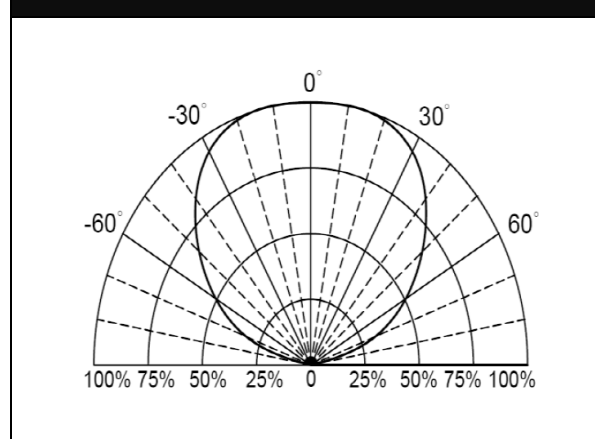
Recommended Solder Pattern



Relative Luminous Flux v.s. Forward Current



Directive Radiation



SMD Lamp

5mm Round 5.4t

30°



Features:

- Low Power LED
- Top View
- Small Viewing Angle
- Water Clear / Diffused Lens
- Suitable for SMD
- High Efficiency
- High Intensity Output
- Reel Packing

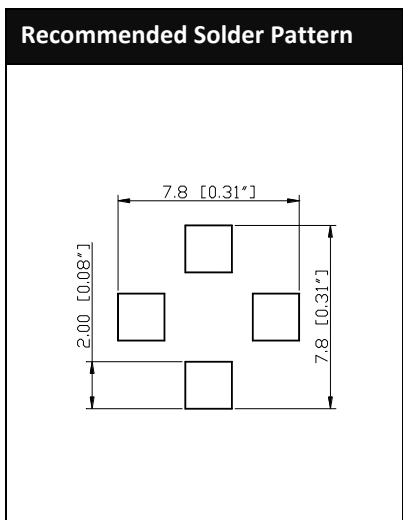
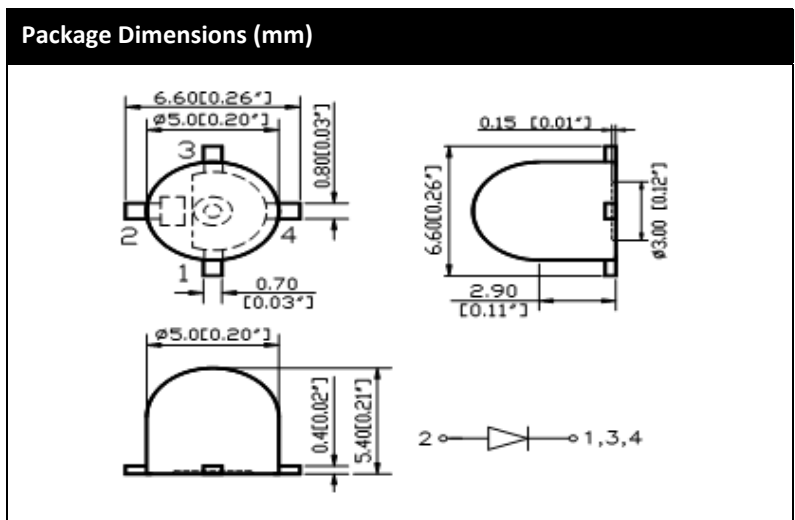
Applications:

- Indication Light
- Traffic Signal
- Information Board
- Decoration Lighting
- Signal and Switch

White Electrical & Optical Characteristics							
Part Number	Colour	CCT (K)	2θ _{1/2} (°)	I _v (mcd)	V _F (V)	I _F (mA)	I _{MAX} (mA)
N0W23S07	Sky White	5600-46500K	30	2300	3.2	20	30

Colour Electrical & Optical Characteristics - Water Clear Lens							
Part Number	Colour	WL (nm)	2θ _{1/2} (°)	I _v (mcd)	V _F (V)	I _F (mA)	I _{MAX} (mA)
NOR23S08	Red	630-650nm	30	800	2.0	20	30
NOR23S05	Red	615-630nm	30	4400	2.0	20	30
NOA23S01	Amber	600-610nm	30	3700	2.1	20	30
NOY23S06	Yellow	585-595nm	30	1500	2.0	20	30
NOG18S29	Green	565-576nm	30	500	2.0	20	30
NOG23S03	Green	520-530nm	30	7500	3.1	20	30
NOG23S04	Green	500-510nm	30	3600	3.3	20	30
NOB23S02	Blue	465-475nm	30	1100	3.2	20	30

Colour Electrical & Optical Characteristics - Colour Diffused Lens							
Part Number	Colour	WL (nm)	2θ _{1/2} (°)	I _v (mcd)	V _F (V)	I _F (mA)	I _{MAX} (mA)
NOR18S30	Red	615-630nm	160	110	2.0	20	30



PLCC2 LED

K1 1W / 2W



Features:

- High Power LED
- Top View
- Easy for SMT or Hand Solder
- Various Colour
- Compatible Package
- High Efficiency
- High Lumen Output
- Large Emitting Area

Applications:

- General Lighting
- Commercial Lighting
- Indoor Lighting
- Outdoor Lighting
- Spot Light
- Torch Light

1W White Electrical & Optical Characteristics (typ. at 350mA)

Part Number	Colour	CCT (K)	$2\theta_{1/2}$ (°)	Φ_V (lm)	V_F (V)	I_F (mA)	I_{MAX} (mA)
NOW06S19	Cool White	4750-10000K	120	125	3.2	350	500
NOW07S20	Natural White	3700-5000K	120	100	3.2	350	500
NOW07S14	Warm White	2800-3800K	120	85	3.2	350	500

1W Colour Electrical & Optical Characteristics (typ. at 350mA)

Part Number	Colour	WL (nm)	$2\theta_{1/2}$ (°)	Φ_V (lm)	V_F (V)	I_F (mA)	I_{MAX} (mA)
NOR06S18	Red ■	620-630nm	135	50	2.2	350	500
NOA06S16	Amber ■	585-595nm	135	50	2.2	350	500
NOA06S15	Amber ■	585-590nm	135	50	2.2	350	500
NOG06S21	Green ■	522-535nm	155	75	3.4	350	360
NOB06S17	Blue ■	490-510nm	135	75	3.4	350	500
NOB06S20	Blue ■	460-470nm	155	25	3.2	350	360

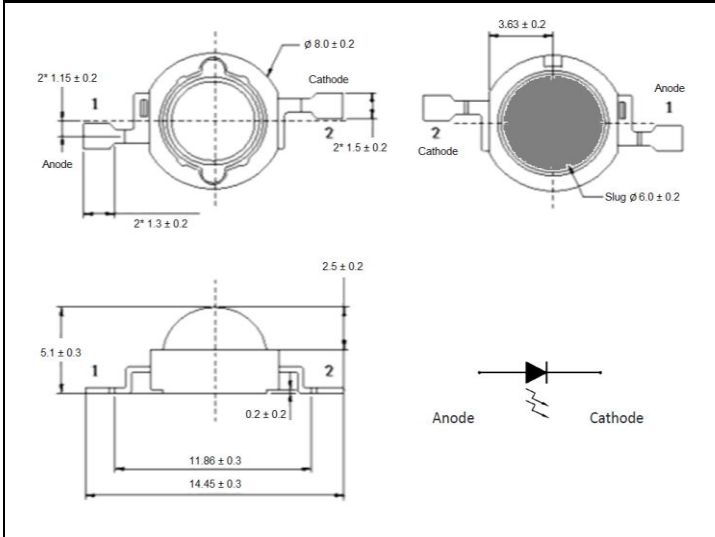
2W White Electrical & Optical Characteristics (typ. at 700mA)

Part Number	Colour	CCT (K)	$2\theta_{1/2}$ (°)	Φ_V (lm)	V_F (V)	I_F (mA)	I_{MAX} (mA)
NOW09S24	Cool White	5000-10000K	120	220	3.2	700	710
NOW09S23	Natural White	3800-5000K	120	170	3.2	700	710
NOW09S25	Warm White	2500-3800K	120	150	3.2	700	710

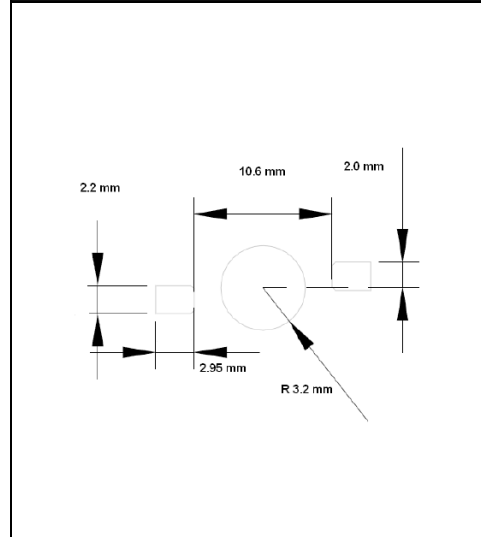
2W Colour Electrical & Optical Characteristics (typ. at 700mA)

Part Number	Colour	WL (nm)	$2\theta_{1/2}$ (°)	Φ_V (lm)	V_F (V)	I_F (mA)	I_{MAX} (mA)
NOR09S26	Red ■	625-630nm	120	100	2.0	700	710
NOA09S35	Amber ■	585-595nm	135	115	2.2	700	710
NOG09S28	Green ■	515-535nm	120	125	3.4	700	710
NOB09S27	Blue ■	460-470nm	120	40	3.2	700	710

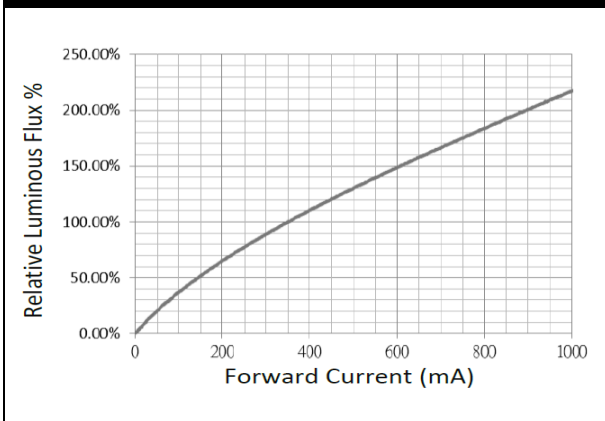
Package Dimensions (mm)



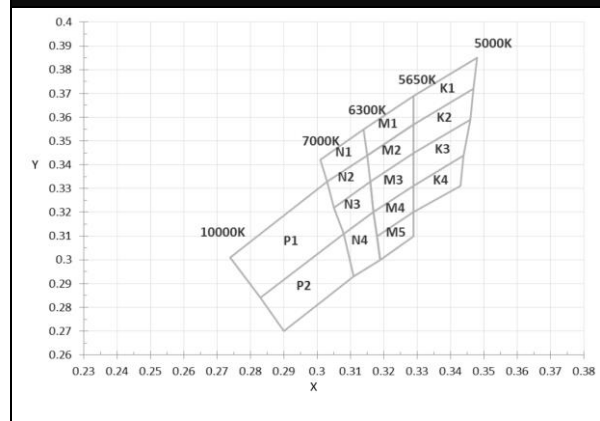
Recommended Solder Pattern



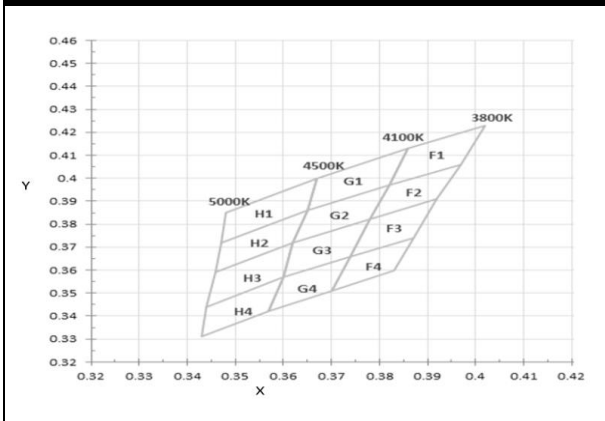
Relative Luminous Flux v.s. Forward Current



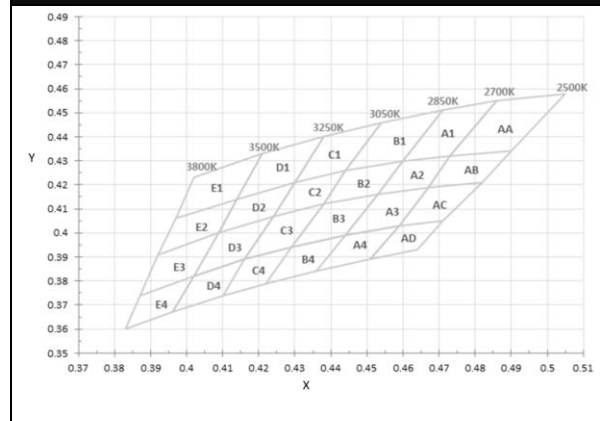
CIE Chromaticity Diagram Cool White



CIE Chromaticity Diagram Natural White



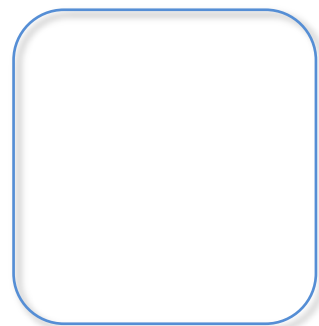
CIE Chromaticity Diagram Warm White



Lead Frame

Lead Frame

- 242170-74
- 252075-76
- 302277
- 322878



Lead Frame

2421 Type A

20°



Features:

- Top View
- Low Power LED
- Small Viewing Angle
- Various Colours
- Subminiature LED
- High Efficiency
- High Intensity Output
- Reel Packing

Applications:

- Indication Light
- Traffic Signal
- Information Board
- Decoration Lighting
- Signal and Switch

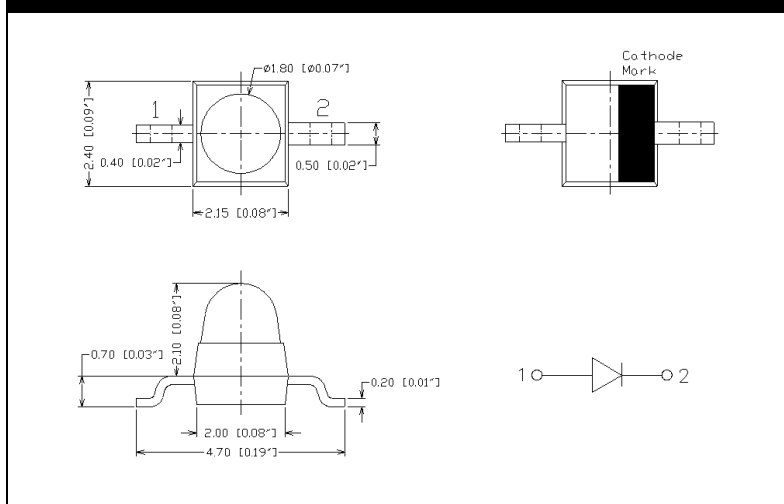
White Electrical & Optical Characteristics

Order Code	Colour	CCT (K)	2θ _{1/2} (°)	I _V (mcd)	V _F (V)	I _F (mA)	I _{MAX} (mA)
N0W12S29	Sky White	5600-46500K	165	380	3.2	20	30

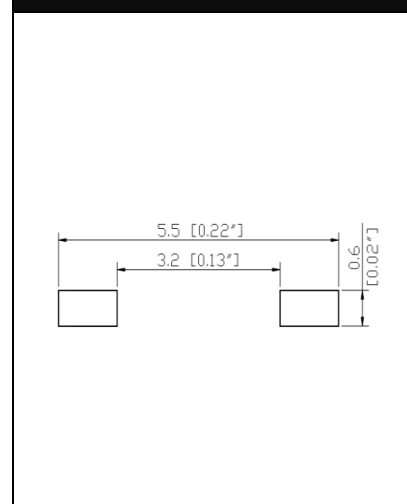
Colour Electrical & Optical Characteristics

Order Code	Colour	WL (nm)	2θ _{1/2} (°)	I _V (mcd)	V _F (V)	I _F (mA)	I _{MAX} (mA)
NOR12S28	Red ■	625-635nm	20	2000	2.0	20	30
NOR12S27	Red ■	615-630nm	20	2400	2.0	20	30
NOY12S30	Yellow ■	585-595nm	20	2600	2.0	20	30
NOG12S25	Green ■	565-576nm	20	520	2.0	20	30
NOG12S26	Green ■	520-530nm	20	10000	3.2	20	30
NOB12S24	Blue ■	460-470nm	20	1300	3.1	20	30

Package Dimensions (mm)



Recommended Solder Pattern



Lead Frame 2421 Type B

20°



Features:

- Top View
- Low Power LED
- Small Viewing Angle
- Various Colours
- Subminiature LED
- High Efficiency
- High Intensity Output
- Reel Packing

Applications:

- Indication Light
- Traffic Signal
- Information Board
- Decoration Lighting
- Signal and Switch

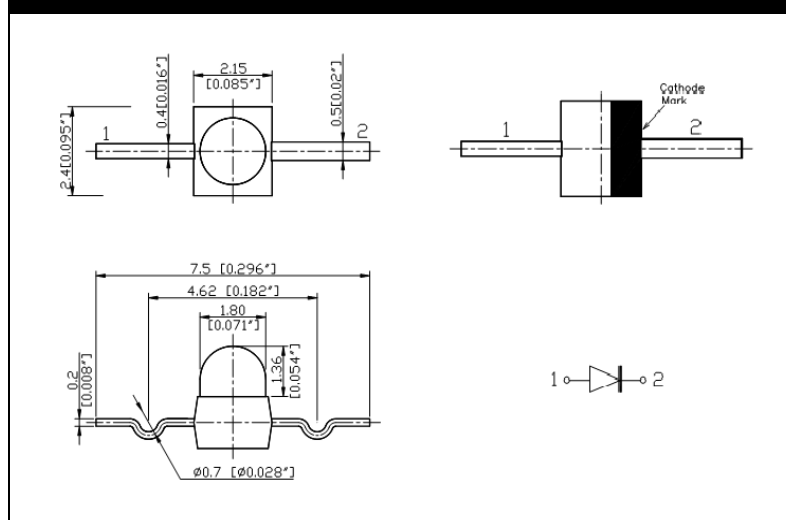
White Electrical & Optical Characteristics

Order Code	Colour	CCT (K)	$2\theta_{1/2}$ (°)	I_V (mcd)	V_F (V)	I_F (mA)	I_{MAX} (mA)
N0W12S21	Sky White	5600-46500K	165	115	3.2	20	30

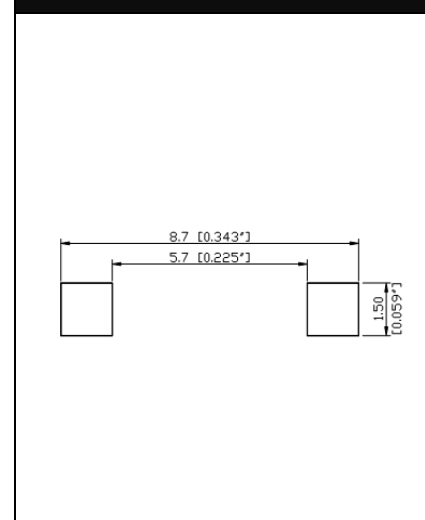
Colour Electrical & Optical Characteristics

Order Code	Colour	WL (nm)	$2\theta_{1/2}$ (°)	I_V (mcd)	V_F (V)	I_F (mA)	I_{MAX} (mA)
NOR12S20	Red	625-635nm	20	2000	2.0	20	30
NOR12S19	Red	615-630nm	20	2400	2.0	20	30
NOY12S22	Yellow	585-595nm	20	2875	2.0	20	30
N0G12S18	Green	565-576nm	20	520	2.0	20	30
N0B12S17	Blue	460-470nm	20	1300	3.1	20	30

Package Dimensions (mm)



Recommended Solder Pattern



Lead Frame

2421 Flat Type A



Features:

- Top View
- Low Power LED
- Various Colours
- Subminiature LED
- High Efficiency
- High Intensity Output
- Reel Packing

Applications:

- Indication Light
- Traffic Signal
- Information Board
- Decoration Lighting
- Signal and Switch

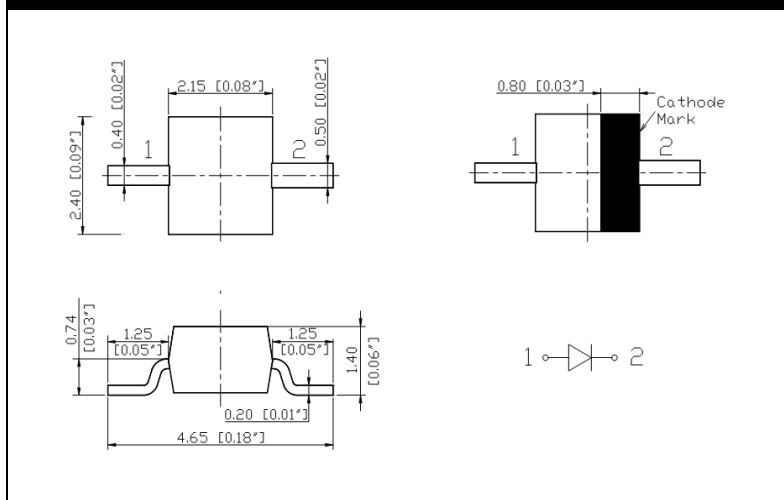
White Electrical & Optical Characteristics

Order Code	Colour	CCT (K)	$2\theta_{1/2}$ (°)	I_V (mcd)	V_F (V)	I_F (mA)	I_{MAX} (mA)
NOW12S08	Sky White	5600-46500K	150	250	3.2	20	30

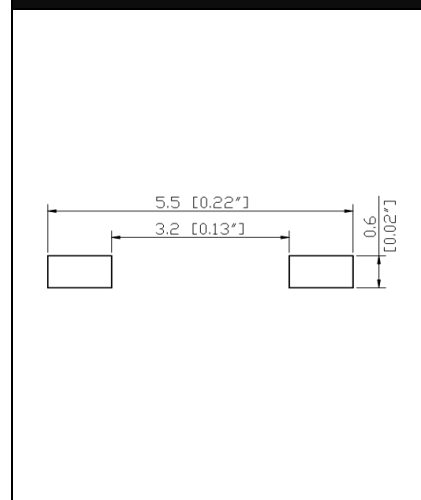
Colour Electrical & Optical Characteristics

Order Code	Colour	WL (nm)	$2\theta_{1/2}$ (°)	I_V (mcd)	V_F (V)	I_F (mA)	I_{MAX} (mA)
NOR12S07	Red	625-635nm	150	95	2.0	20	30
NOY12S09	Yellow	585-595nm	150	150	2.0	20	30
NOG12S05	Green	565-575nm	150	45	2.0	20	30
NOG12S06	Green	520-530nm	150	360	3.2	20	30
NOB12S04	Blue	460-470nm	150	50	3.1	20	30

Package Dimensions (mm)



Recommended Solder Pattern



Lead Frame

2421 Flat Type B



Features:

- Top View
- Low Power LED
- Various Colours
- Subminiature LED
- High Efficiency
- High Intensity Output
- Reel Packing

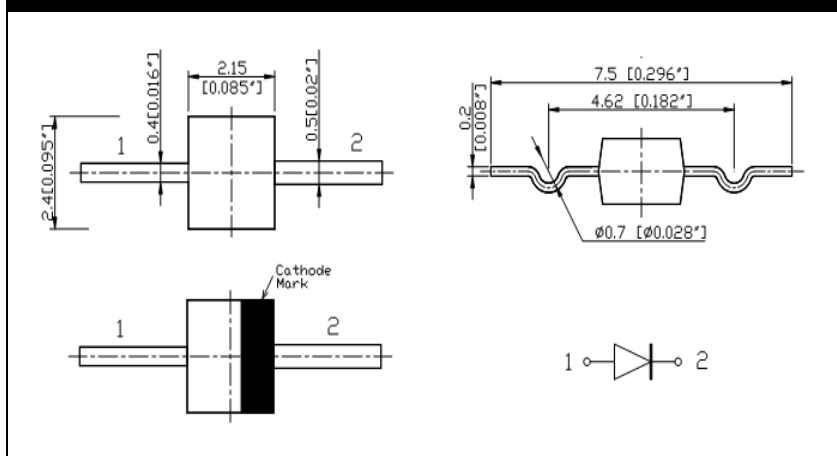
Applications:

- Indication Light
- Traffic Signal
- Information Board
- Decoration Lighting
- Signal and Switch

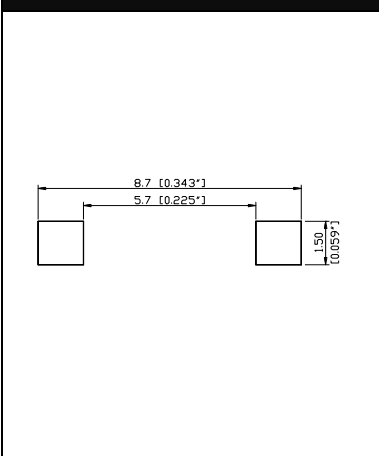
Electrical & Optical Characteristics (typ. at 20mA)

Order Code	Colour	WL (nm)	$2\theta_{1/2}$ (°)	I_V (mcd)	V_F (V)	I_F (mA)	I_{MAX} (mA)
N0R17S95	Red ■	615-630nm	150	120	2.0	20	30

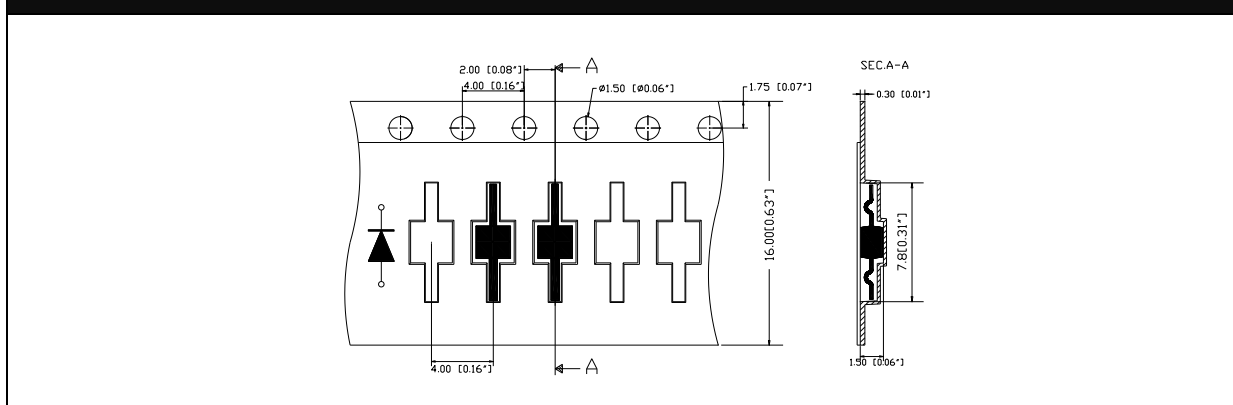
Package Dimensions (mm)



Recommended Solder Pattern



Packing Dimension



Lead Frame

2421 Flat Type C



Features:

- Top View
- Low Power LED
- Various Colours
- Subminiature LED
- High Efficiency
- High Intensity Output
- Reel Packing


Applications:

- Indication Light
- Traffic Signal
- Information Board
- Decoration Lighting
- Signal and Switch

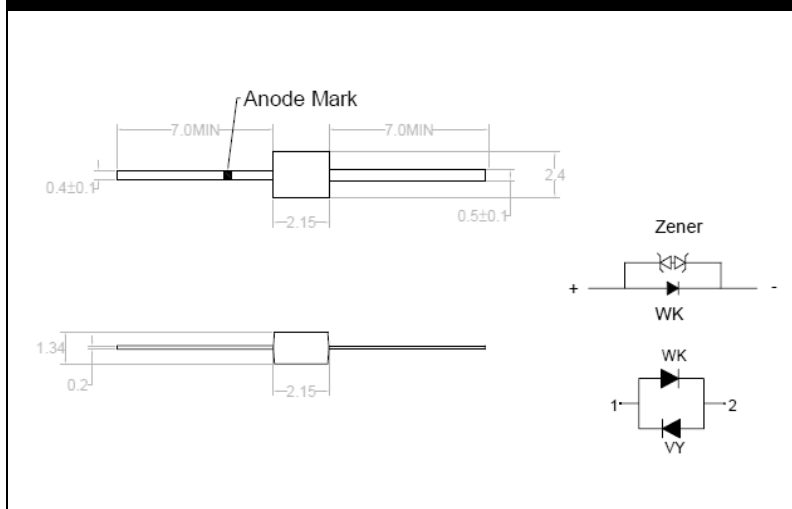
White Electrical & Optical Characteristics

Order Code	Colour	CCT (K)	$2\theta_{1/2}$ (°)	I_v (mcd)	V_F (V)	I_F (mA)	I_{MAX} (mA)
N0W23S25Z	Sky White	7000-46500K	150	120	3.3	20	30

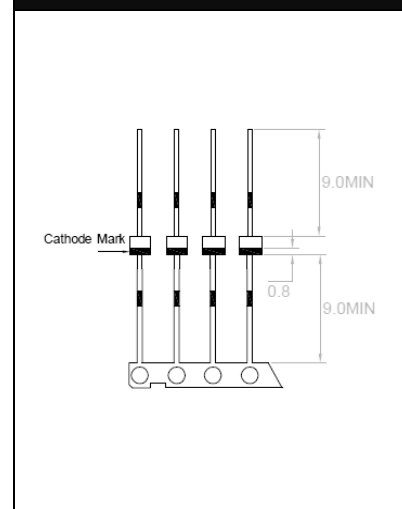
Dual Colours Electrical & Optical Characteristics

Order Code	Colour	CCT (K) / WL (nm)	$2\theta_{1/2}$ (°)	I_v (mcd)	V_F (V)	I_F (mA)
N0D23S24	Cool White/Yellow 	5000K/590nm	150	290/75	3.3/2.1	20/20

Package Dimensions (mm)



Packing Dimension



Lead Frame

2520 Type A



Features:

- Top View
- Low Power LED
- Small Viewing Angle
- Various Colours
- Subminiature LED
- High Efficiency
- High Intensity Output
- Reel Packing

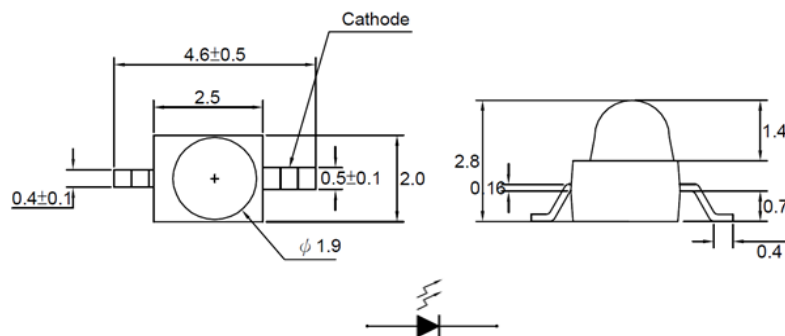
Applications:

- Indication Light
- Traffic Signal
- Information Board
- Decoration Lighting
- Signal and Switch

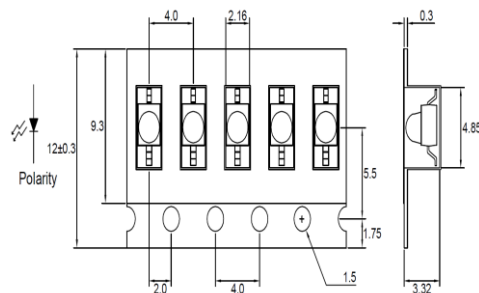
Electrical & Optical Characteristics

Order Code	Colour	WL (nm)	$2\theta_{1/2}$ (°)	I_V (mcd)	V_F (V)	I_F (mA)	I_{MAX} (mA)
NOR08S23	Red	627-640nm	20	2700	2.2	20	50
NOR08S17	Red	625-640nm	20	300	2.2	20	30
NOR08S18	Red	625-640nm	20	700	2.1	20	50
NOA08S14	Amber	595-610nm	20	1500	2.2	20	30
NOY08S20	Yellow	590-600nm	20	1800	2.2	20	30
NOY08S21	Yellow	590-600nm	20	900	2.2	20	50
NOG08S13	Green	570-580nm	20	450	2.2	20	25
NOG08S22	Green	520-535nm	20	1800	3.7	20	30
NOB08S15	Blue	465-480nm	20	300	3.7	20	30

Package Dimensions (mm)



Packing Dimension



Lead Frame 2520 Type B







Features:

- Top View
- Low Power LED
- Small Viewing Angle
- Various Colours
- Subminiature LED
- High Efficiency
- High Intensity Output
- Reel Packing

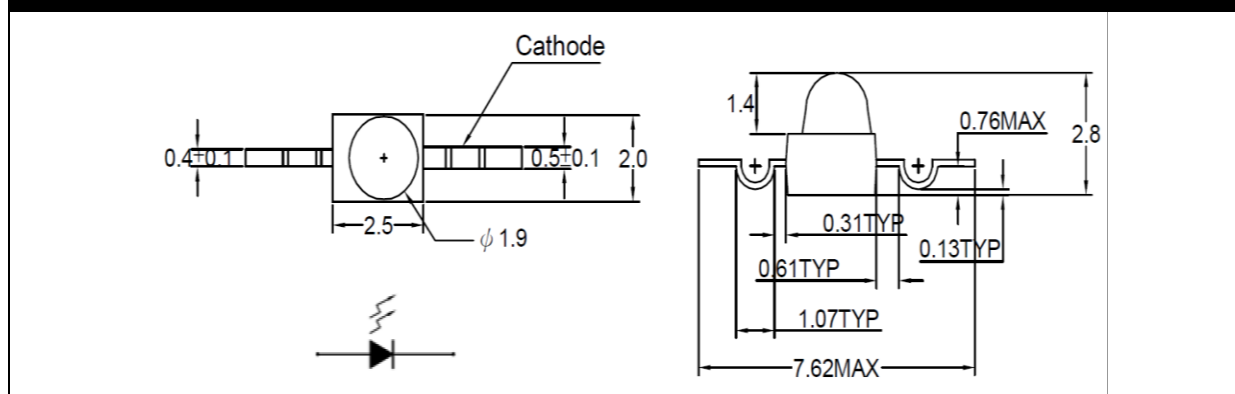
Applications:

- Indication Light
- Traffic Signal
- Information Board
- Decoration Lighting
- Signal and Switch

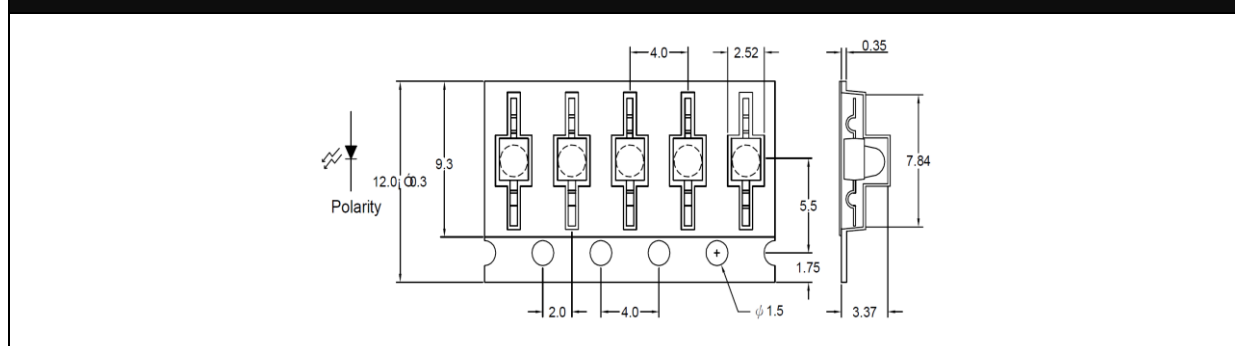
Electrical & Optical Characteristics

Order Code	Colour	WL (nm)	$2\theta_{1/2}$ (°)	I_V (mcd)	V_F (V)	I_F (mA)	I_{MAX} (mA)
NOR16S68	Red 	620-640nm	20	2200	2.0	20	25
NOY23S28	Yellow 	590-600nm	20	900	2.1	20	50
NOG23S26	Green 	570-580nm	20	450	2.1	20	25
NOB23S27	Blue 	460-480nm	20	300	3.5	20	30

Package Dimensions (mm)



Packing Dimension



Lead Frame

3022



Features:

- Top View
- Low Power LED
- Various Colours
- High Efficiency
- High Intensity Output
- Reel Packing

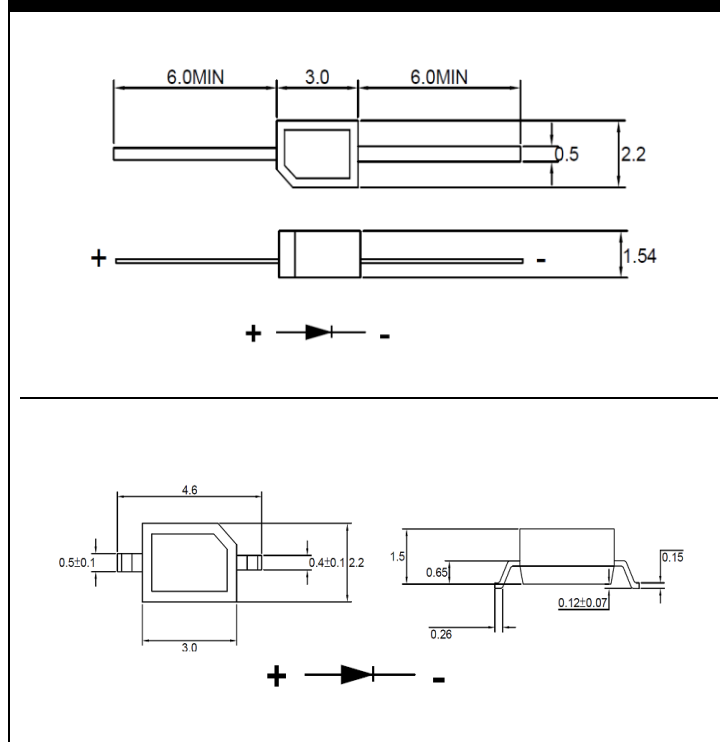
Applications:

- Indication Light
- Traffic Signal
- Information Board
- Decoration Lighting
- Signal and Switch

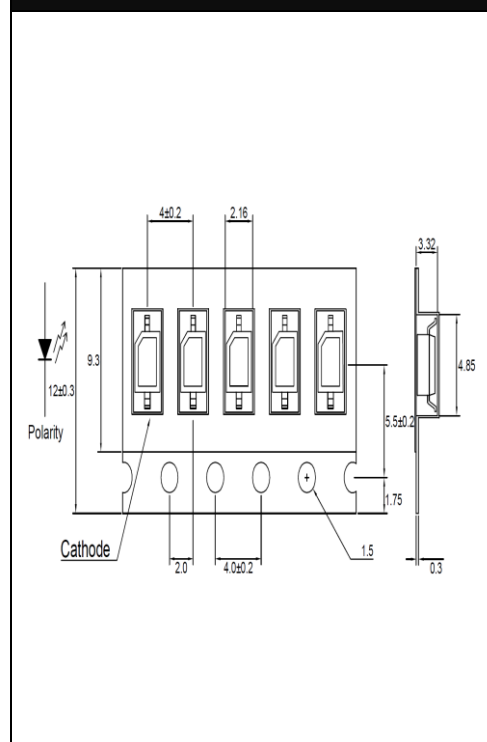
Electrical & Optical Characteristics

Order Code	Colour	WL (nm)	$2\theta_{1/2}$ (°)	I_V (mcd)	V_F (V)	I_F (mA)	I_{MAX} (mA)
NOR25S76	Red ■	620-640nm	120	300	1.9	20	30
NOA25S74	Amber ■	598-615nm	120	300	2.1	20	30
NOY25S78	Yellow ■	585-595nm	85	40	2.2	20	30
NOG25S77	Green ■	560-570nm	85	20	2.1	20	30
NOB25S75	Blue ■	460-480nm	120	300	3.5	20	30

Package Dimensions (mm)



Packing Dimension



Lead Frame

3228 RGB



Features:

- Top View
- Low Power LED
- Multi-Colour
- High Efficiency
- High Intensity Output
- Insert Pin Design
- Reel Packing

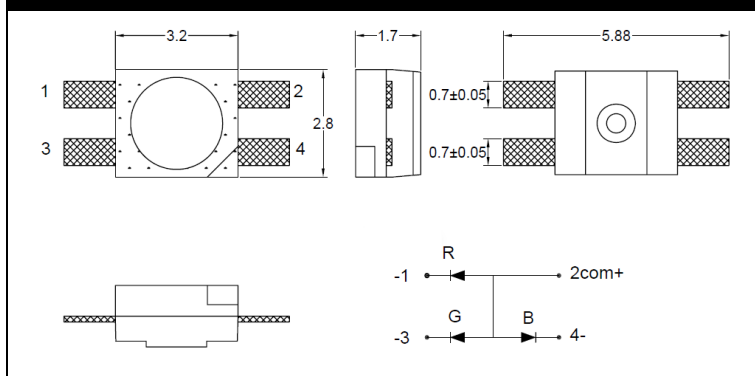
Applications:

- Indication Light
- Traffic Signal
- Information Board
- Decoration Lighting
- Signal and Switch
- Key Board

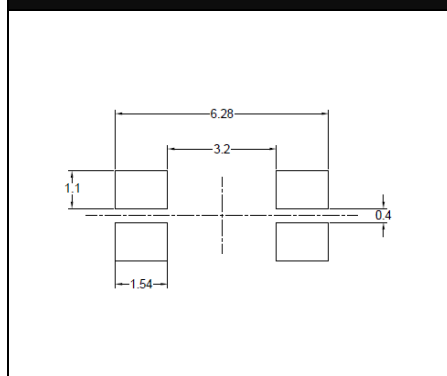
Electrical & Optical Characteristics

Order Code	Colour	WL (nm)	$2\theta_{1/2}$ (°)	I_v (mcd)	V_f (V)	I_f (mA)
NOM25S71	Red/Green/Blue ■ ■ ■	625/525/465	120	110/400/110	1.8/2.7/2.8	2/2/2

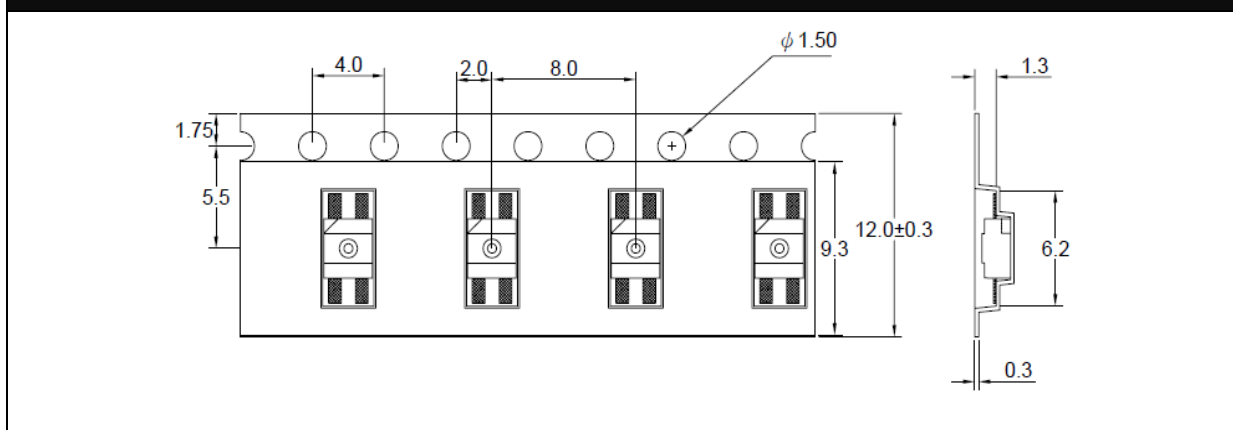
Package Dimensions (mm)



Recommended Solder Pattern



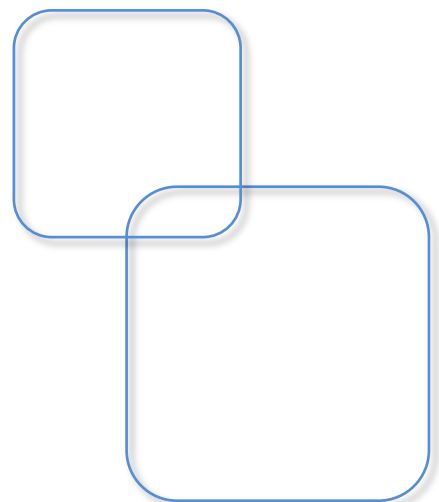
Packing Dimension



Side View

Side View

- 0602SV80-81
- 0802SV82
- 1204SV83-88
- 2812SV89
- 3812SV90



PCB / CHIP Side View

0602SV (1606) 1.1t



Features:

- Side View
- Low Power LED
- Various Colours
- Compatible Package
- High Efficiency
- High Intensity Output
- Large Emitting Area

Applications:

- Commercial Lighting
- Decorative Lighting
- 3C Consumer Goods
- Light Strip
- Indication Lamp

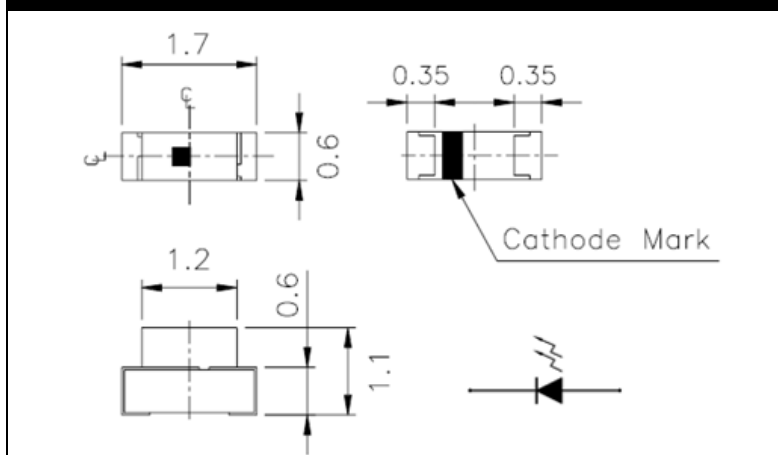
White Electrical & Optical Characteristics

Order Code	Colour	CCT (K)	$2\theta_{1/2}$ (°)	I_V (mcd)	V_F (V)	I_F (mA)	I_{MAX} (mA)
N0W03S06SV	Sky White	6300-27100K	140	85	2.8	5	25

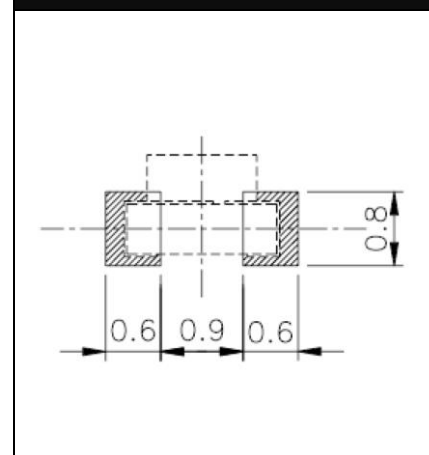
Colour Electrical & Optical Characteristics

Order Code	Colour	WL (nm)	$2\theta_{1/2}$ (°)	I_V (mcd)	V_F (V)	I_F (mA)	I_{MAX} (mA)
NOR03S04SV	Red ■	620-645nm	130	45	2.0	20	25
NOR03S07SV	Red ■	620-634nm	140	85	2.2	20	30
NOA03S05SV	Amber ■	605-613nm	130	50	2.1	20	25
NOY03S08SV	Yellow ■	585-595nm	130	85	2.1	20	25
NOG03S01SV	Green ■	568-576nm	130	30	2.0	20	25
NOG03S03SV	Green ■	520-535nm	130	200	3.2	20	25
NOB03S02SV	Blue ■	465-477nm	130	50	3.2	20	25

Package Dimensions (mm)



Recommended Solder Pattern



PCB / CHIP Side View

0602SV (1606) 1.2t



Features:

- Side View
- Low Power LED
- Various Colours
- Compatible Package
- High Efficiency
- High Intensity Output
- Large Emitting Area

Applications:

- Commercial Lighting
- Decorative Lighting
- 3C Consumer Goods
- Light Strip
- Indication Lamp

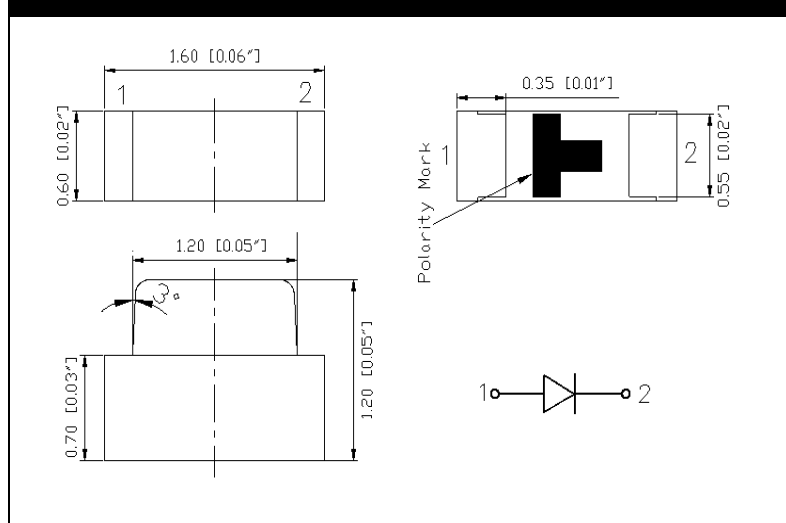
White Electrical & Optical Characteristics

Order Code	Colour	CCT (K)	$2\theta_{1/2}$ (°)	I_V (mcd)	V_F (V)	I_F (mA)	I_{MAX} (mA)
NOW19S86SV	Sky White	5600-29500K	140	250	3.1	20	30

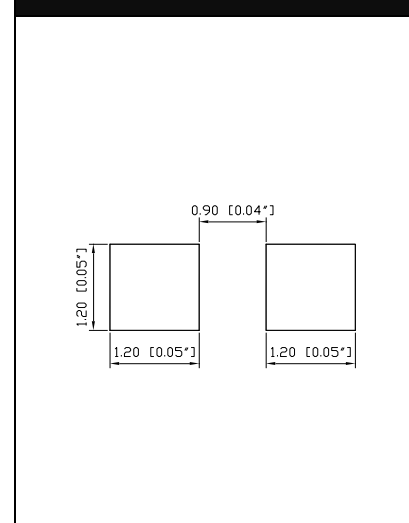
Colour Electrical & Optical Characteristics (typ. at 20mA)

Order Code	Colour	WL (nm)	$2\theta_{1/2}$ (°)	I_V (mcd)	V_F (V)	I_F (mA)	I_{MAX} (mA)
NOR31S12SV	Red ■	630-650nm	140	13	2.0	20	30
NOR19S85SV	Red ■	615-630nm	140	130	2.0	20	30
NOA19S81SV	Amber ■	600-610nm	140	165	2.0	20	30
NOY19S87SV	Yellow ■	585-595nm	140	150	2.0	20	30
NOG19S83SV	Green ■	565-576nm	140	35	2.0	20	30
NOG19S84SV	Green ■	520-530nm	140	590	3.3	20	30
NOB19S82SV	Blue ■	460-470nm	140	112	3.3	20	30
NOB31S53SV	Blue ■	450-460nm	140	63	3.0	20	30

Package Dimensions (mm)



Recommended Solder Pattern



PCB / CHIP Side View

0802SV (2106)



Features:

- Side View
- Low Power LED
- Various Colours
- Compatible Package
- High Efficiency
- High Intensity Output
- Large Emitting Area

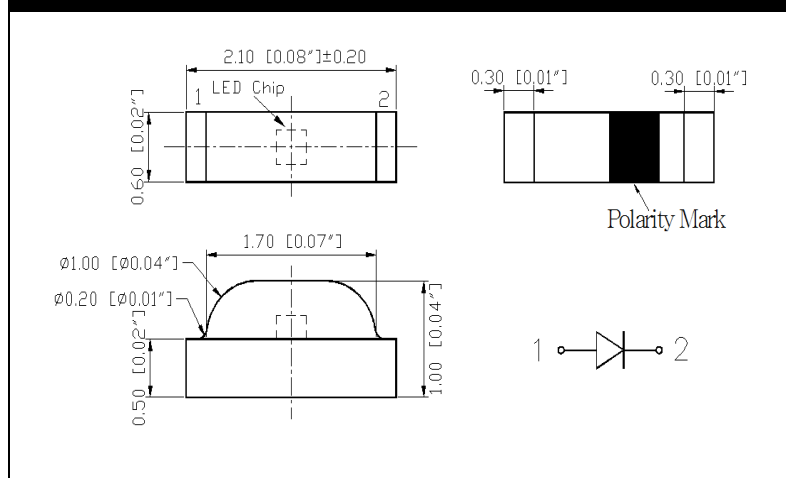
Applications:

- Commercial Lighting
- Decorative Lighting
- 3C Consumer Goods
- Light Strip
- Indication Lamp

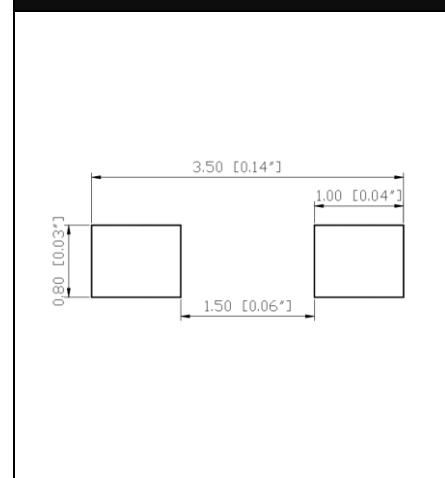
Electrical & Optical Characteristics

Order Code	Colour	WL (nm)	$2\theta_{1/2}$ (°)	I_V (mcd)	V_F (V)	I_F (mA)	I_{MAX} (mA)
NOR11S66SV	Red ■	625-635nm	150	85	2.1	20	30
NOR11S65SV	Red ■	615-630nm	150	140	2.0	20	30
NOY11S67SV	Yellow ■	585-595nm	150	55	2.0	20	30
NOG11S64SV	Green ■	565-576nm	150	40	2.0	20	30
NOB11S63SV	Blue ■	460-470nm	150	60	3.3	20	30

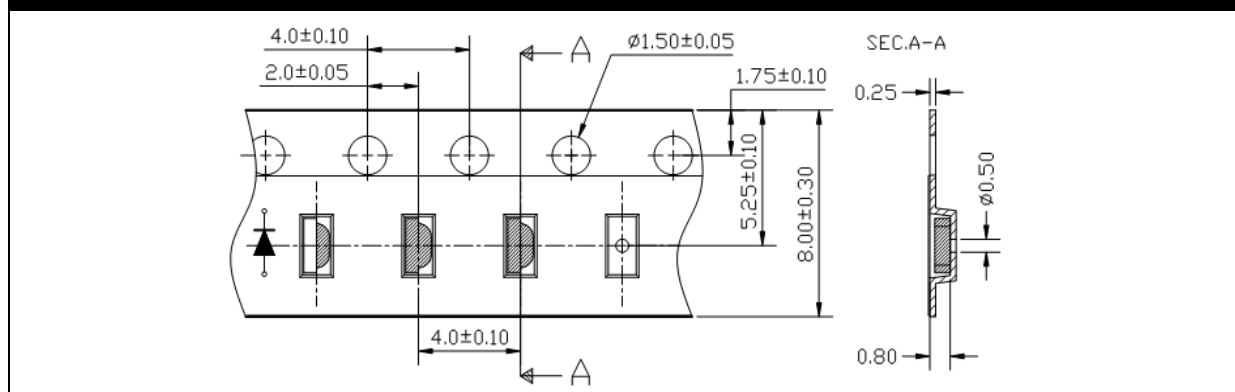
Package Dimensions (mm)



Recommended Solder Pattern



Packing Dimensions (mm)



PCB / CHIP Side View

1204SV (3210) 1.4t



Features:

- Side View
- Low Power LED
- Various Colours
- Compatible Package
- High Efficiency
- High Intensity Output
- Large Emitting Area

Applications:

- Commercial Lighting
- Decorative Lighting
- 3C Consumer Goods
- Light Strip
- Indication Lamp

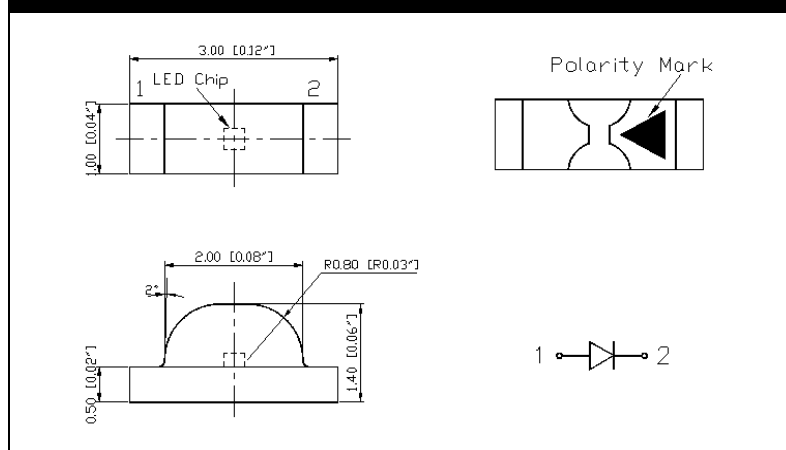
White Electrical & Optical Characteristics

Order Code	Colour	CCT (K)	$2\theta_{1/2}$ (°)	I_V (mcd)	V_F (V)	I_F (mA)	I_{MAX} (mA)
N0W12S35SV	Sky White	5600-46500K	150	255	3.1	20	30

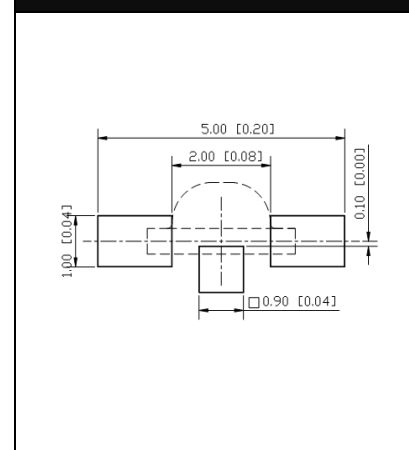
Colour Electrical & Optical Characteristics

Order Code	Colour	WL (nm)	$2\theta_{1/2}$ (°)	I_V (mcd)	V_F (V)	I_F (mA)	I_{MAX} (mA)
NOR12S34SV	Red ■	625-635nm	150	85	2.0	20	30
NOR17S88SV	Red ■	625-635nm	150	95	2.0	20	30
NOR12S33SV	Red ■	620-630nm	150	65	2.0	20	30
N0Y12S36SV	Yellow ■	585-595nm	150	110	2.0	20	30
N0G12S32SV	Green ■	565-576nm	150	35	2.0	20	30
N0B12S31SV	Blue ■	460-470nm	150	65	3.1	20	30

Package Dimensions (mm)



Recommended Solder Pattern



PCB / CHIP Side View

1204SV (3210) 1.4t



Features:

- Side View
- Low Power LED
- Various Colours
- Compatible Package
- High Efficiency
- High Intensity Output
- Large Emitting Area

Applications:

- Commercial Lighting
- Decorative Lighting
- 3C Consumer Goods
- Light Strip
- Indication Lamp

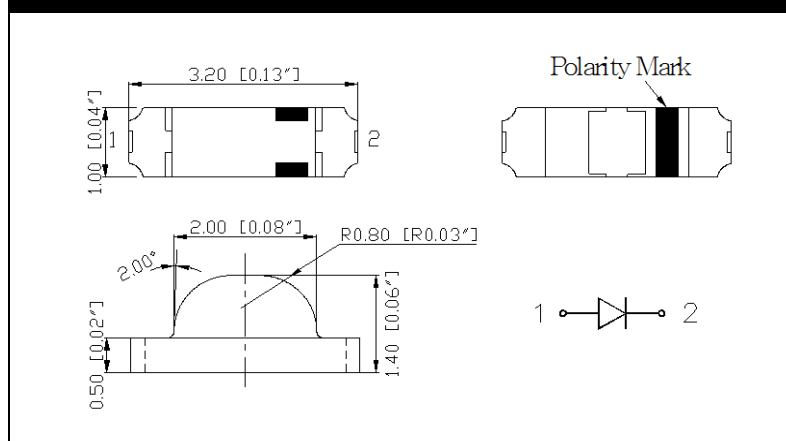
White Electrical & Optical Characteristics

Order Code	Colour	CCT (K)	$2\theta_{1/2}$ (°)	I_V (mcd)	V_F (V)	I_F (mA)	I_{MAX} (mA)
NOW11S78SV	Sky White	5600-46500K	150	260	3.2	20	30

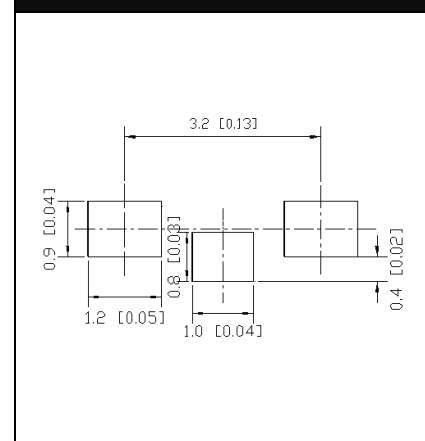
Colour Electrical & Optical Characteristics

Order Code	Colour	WL (nm)	$2\theta_{1/2}$ (°)	I_V (mcd)	V_F (V)	I_F (mA)	I_{MAX} (mA)
NOR11S77SV	Red ■	625-635nm	150	85	2.0	20	30
NOR11S76SV	Red ■	615-630nm	150	142	2.0	20	30
NOY11S79SV	Yellow ■	585-595nm	150	110	2.0	20	30
NOG11S74SV	Green ■	565-576nm	150	40	2.0	20	30
NOG11S75SV	Green ■	520-530nm	150	370	3.2	20	30

Package Dimensions (mm)



Recommended Solder Pattern



PCB / CHIP Side View

1204SV (3210) 1.5t



Features:

- Side View
- Low Power LED
- Various Colours
- Compatible Package
- High Efficiency
- High Intensity Output
- Large Emitting Area

Applications:

- Commercial Lighting
- Decorative Lighting
- 3C Consumer Goods
- Light Strip
- Indication Lamp

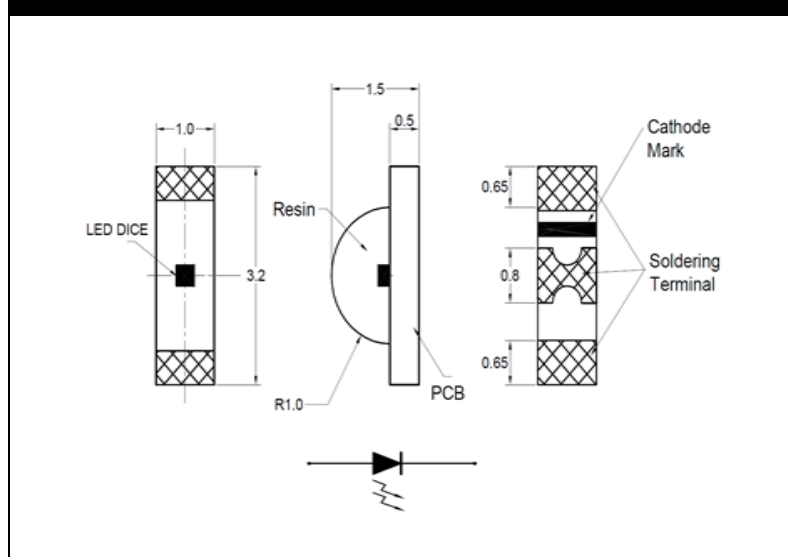
White Electrical & Optical Characteristics

Order Code	Colour	CCT (K)	$2\theta_{1/2}$ (°)	I_V (mcd)	V_F (V)	I_F (mA)	I_{MAX} (mA)
N0W02S83SV	Sky White	4800-6400K	178	350	3.2	20	25

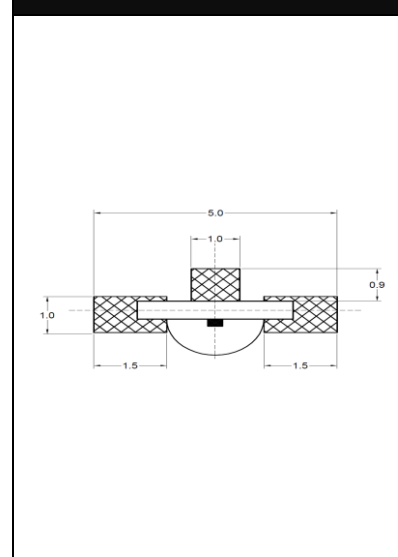
Colour Electrical & Optical Characteristics

Order Code	Colour	WL (nm)	$2\theta_{1/2}$ (°)	I_V (mcd)	V_F (V)	I_F (mA)	I_{MAX} (mA)
NOR06S36SV	Red ■	620-650nm	110	125	1.9	20	30
NOR02S79SV	Red ■	620-636nm	120	80	2.1	20	30
NOA02S74SV	Amber ■	595-610nm	130	150	2.2	20	30
NOY02S81SV	Yellow ■	590-600nm	120	125	2.2	20	30
NOY06S37SV	Yellow ■	585-595nm	130	60	2.0	20	25
NOG02S75SV	Green ■	570-576nm	120	50	2.2	20	30
NOG02S77SV	Green ■	520-534nm	120	500	3.2	20	30
NOB02S76SV	Blue ■	465-475nm	120	125	3.2	20	30

Package Dimensions (mm)



Recommended Solder Pattern



PCB / CHIP Side View

1204SV (3210) 2.0t



Features:

- Side View
- Low Power LED
- Various Colours
- Compatible Package
- High Efficiency
- High Intensity Output
- Large Emitting Area

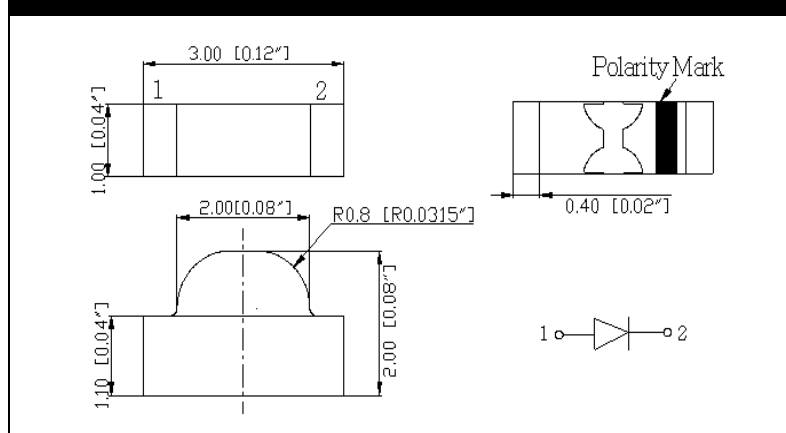
Applications:

- Commercial Lighting
- Decorative Lighting
- 3C Consumer Goods
- Light Strip
- Indication Lamp

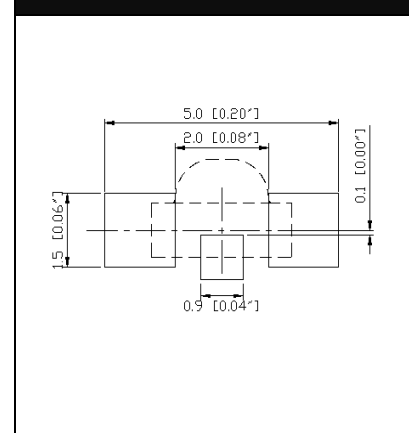
Electrical & Optical Characteristics

Order Code	Colour	WL (nm)	$2\theta_{1/2}$ (°)	I_V (mcd)	V_F (V)	I_F (mA)	I_{MAX} (mA)
NOR11S72SV	Red ■	625-635nm	150	85	2.0	20	30
NOR11S71SV	Red ■	615-630nm	150	140	2.1	20	30
NOY11S73SV	Yellow ■	585-595nm	150	170	2.1	20	30
NOG11S69SV	Green ■	565-576nm	150	40	2.0	20	30
NOG11S70SV	Green ■	520-530nm	150	370	3.2	20	30
NOB11S68SV	Blue ■	465-475nm	150	100	3.3	20	30

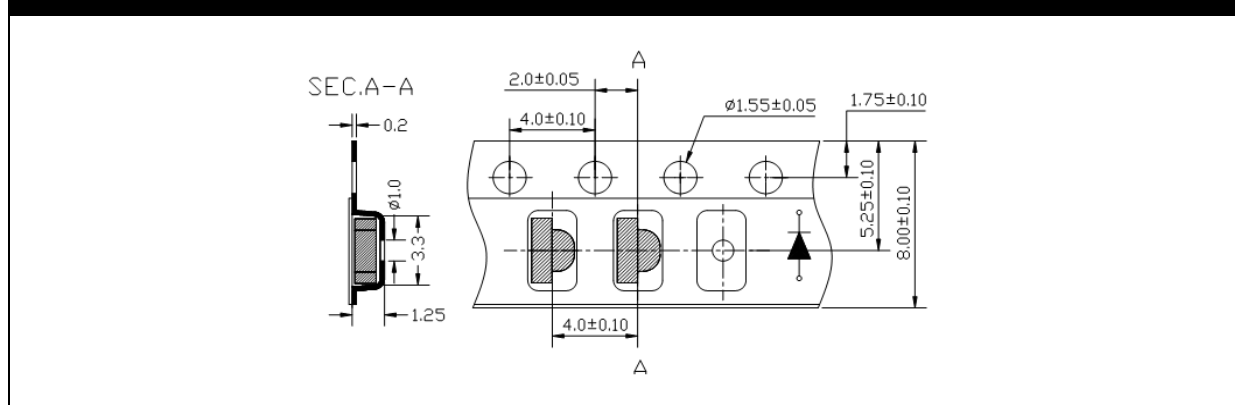
Package Dimensions (mm)



Recommended Solder Pattern



Packing Dimensions (mm)



PCB / CHIP Side View

1204SV (3210) Dual Colours / RGB



Features:

- Side View
- Low Power LED
- Dual Colours / RGB
- Compatible Package
- High Efficiency
- High Intensity Output
- Large Emitting Area

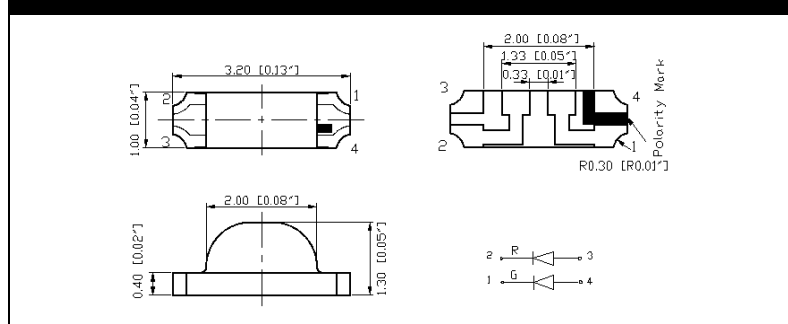
Applications:

- Commercial Lighting
- Decorative Lighting
- 3C Consumer Goods
- Light Strip
- Indication Lamp

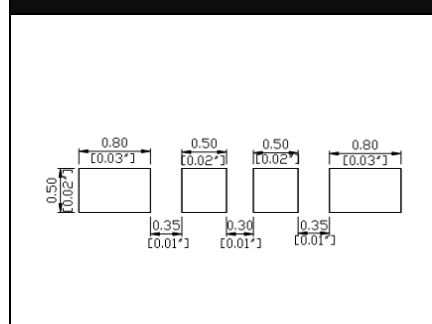
Dual Colour Electrical & Optical Characteristics

Order Code	Colour	CCT (K) / WL (nm)	$2\theta_{1/2}$ (°)	I_V (mcd)	V_F (V)	I_F (mA)
N0D11S42SV	Red/Green	630/570nm	150	110/35	2.0/2.0	20/20
N0D11S44SV	Red/Yellow	640/590nm	150	85/170	2.0/2.0	20/20
N0D11S43SV	Yellow/Green	590/570nm	150	160/45	2.0/2.0	20/20

Package Dimensions (mm)



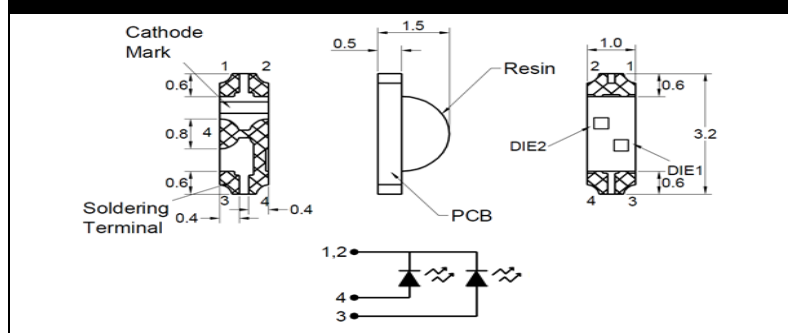
Recommended Solder Pattern



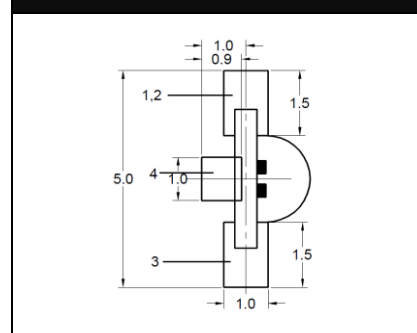
Dual Colour Electrical & Optical Characteristics

Order Code	Colour	CCT (K) / WL (nm)	$2\theta_{1/2}$ (°)	I_V (mcd)	V_F (V)	I_F (mA)
N0D02S78SV	Red/Green	630/573nm	120	70/40	2.1/2.2	20/20
N0D02S80SV	Red/Blue	630/470nm	120	70/50	2.1/3.5	20/20
N0D23S19SV	Sky White/Amber	10900K/605nm	120	380/170	3.2/2.1	20/20
N0D23S20SV	Sky White/Yellow	10500K/590nm	120	350/80	3.2/2.1	20/20

Package Dimensions (mm)



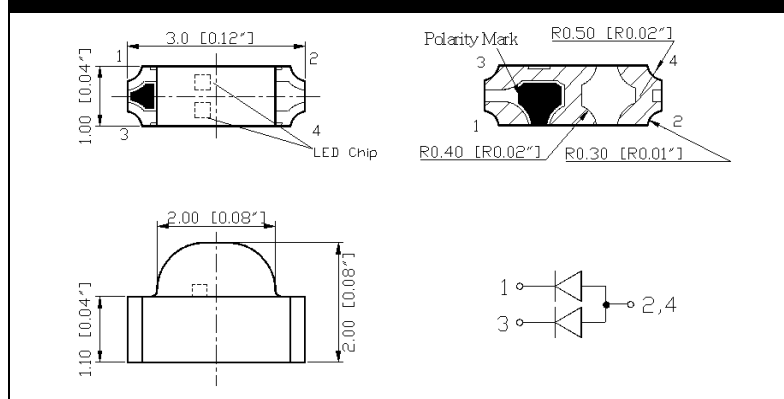
Recommended Solder Pattern



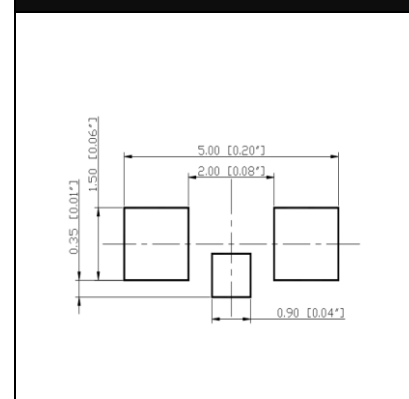
Dual Colour Electrical & Optical Characteristics

Order Code	Colour	CCT (K) / WL (nm)	$2\theta_{1/2}$ (°)	I_V (mcd)	V_F (V)	I_F (mA)
NOD11S95SV	Amber/Blue	605/465nm	150	195/80	2.0/3.2	20/20
NOD11S94SV	Red/Green	640/520nm	150	75/500	2.0/3.3	20/20
NOD11S96SV	Red/Green	620/525nm	150	190/570	2.0/3.1	20/20
NOD11S97SV	Red/Green	620/570nm	150	90/40	2.0/2.0	20/20

Package Dimensions (mm)



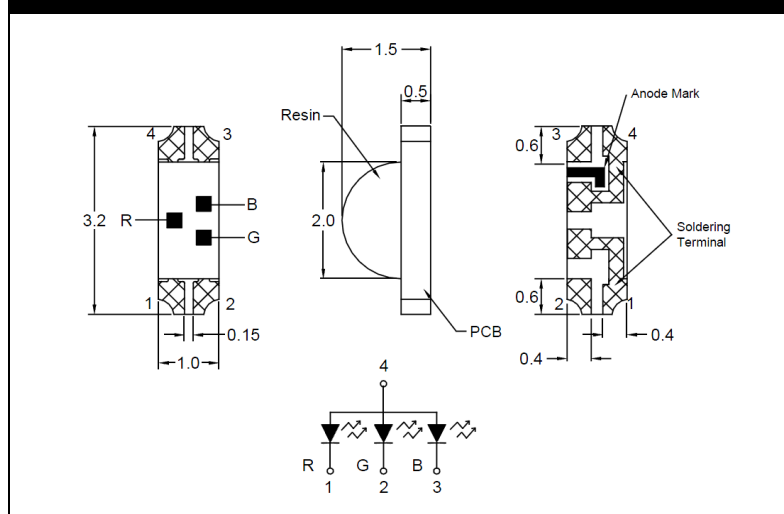
Recommended Solder Pattern



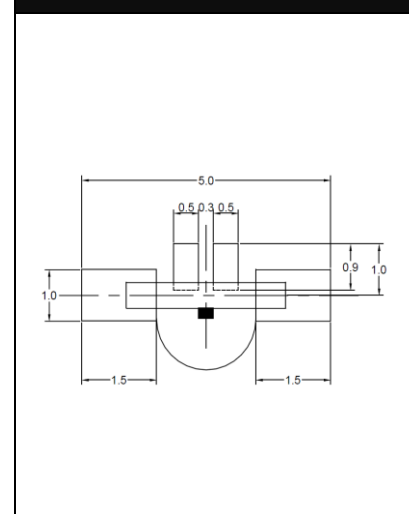
RGB Electrical & Optical Characteristics

Order Code	Colour	WL (nm)	$2\theta_{1/2}$ (°)	I_V (mcd)	V_F (V)	I_F (mA)
N0M02S82SV	Red/Green/Blue	630/525/470nm	120	150/550/150	2.0/3.2/3.2	20/20/20

Package Dimensions (mm)



Recommended Solder Pattern



PLCC Side View

2812SV



Features:

- Side View
- PLCC Package
- Low Power LED
- Various Colours
- Compatible Package
- High Efficiency
- High Lumen Output
- Large Emitting Area

Applications:

- Commercial Lighting
- Decorative Lighting
- 3C Consumer Goods
- Light Strip
- Indication Lamp

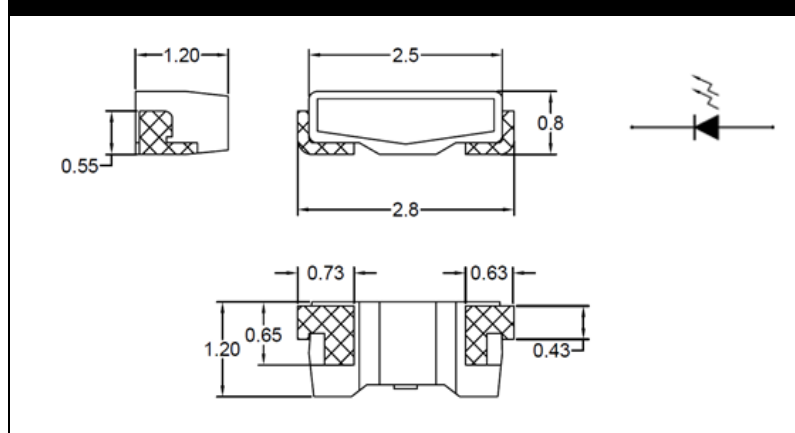
White Electrical & Optical Characteristics

Order Code	Colour	CCT (K)	$2\theta_{1/2}$ (°)	I_V (mcd)	V_F (V)	I_F (mA)	I_{MAX} (mA)
N0W31S66SV	Sky White	9500-21000K	115	1800	3.2	20	30
N0W31S65SV	Cool White	6500-9000K	115	2000	3.2	20	30
N0W02S69SV	Cool White	5600-7300K	115	1900	3.2	20	30

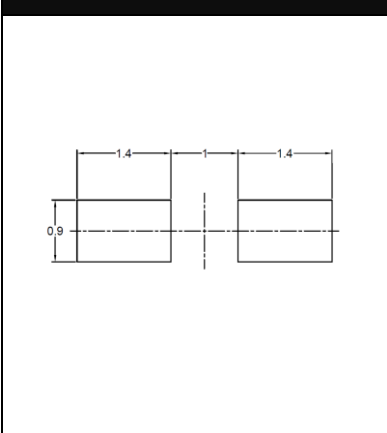
Colour Electrical & Optical Characteristics

Order Code	Colour	WL (nm)	$2\theta_{1/2}$ (°)	I_V (mcd)	V_F (V)	I_F (mA)	I_{MAX} (mA)
N0R02S68SV	Red	620-636nm	115	80	2.0	20	30
N0R31S63SV	Red	620-630nm	115	400	2.2	20	30
N0R31S64SV	Red	620-630nm	115	700	2.1	20	50
N0Y23S16SV	Yellow	580-600nm	115	500	2.1	20	30
N0Y23S12SV	Yellow	580-600nm	115	70	2.1	20	30
N0G31S62SV	Green	519-531nm	115	1200	3.3	20	25
N0G14S23SV	Green	519-528nm	115	1600	3.2	20	30
N0B02S67SV	Blue	465-477nm	115	260	3.2	20	30
N0B31S61SV	Blue	460-470nm	115	90	3.03	20	25

Package Dimensions (mm)



Recommended Solder Pattern



PLCC Side View

3812SV



Features:

- Side View
- PLCC Package
- Low Power LED
- Various Colours
- Compatible Package
- High Efficiency
- High Lumen Output
- Large Emitting Area

Applications:

- Commercial Lighting
- Decorative Lighting
- 3C Consumer Goods
- Light Strip
- Indication Lamp

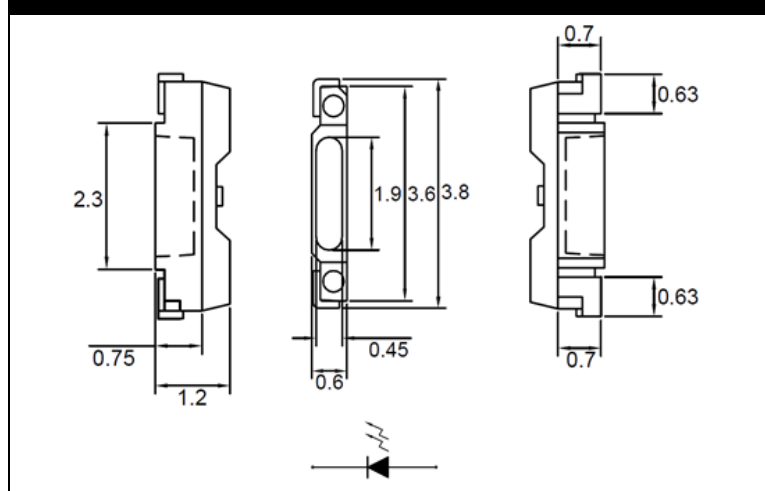
White Electrical & Optical Characteristics

Order Code	Colour	CCT (K)	$2\theta_{1/2}$ (°)	I_V (mcd)	V_F (V)	I_F (mA)	I_{MAX} (mA)
NOW31S70SV	Sky White	10000-26000K	110	2050	3.1	20	30
NOW01S85SV	Cool White	6000-9800K	110	1500	3.2	20	30
NOW31S71SV	Cool White	5650-7000K	110	2400	3.2	20	30
NOW31S72SV	Cool White	5000-6300K	110	2200	3.2	20	30
NOW31S73SV	Natural White	4500-5650K	110	2200	3.2	20	30

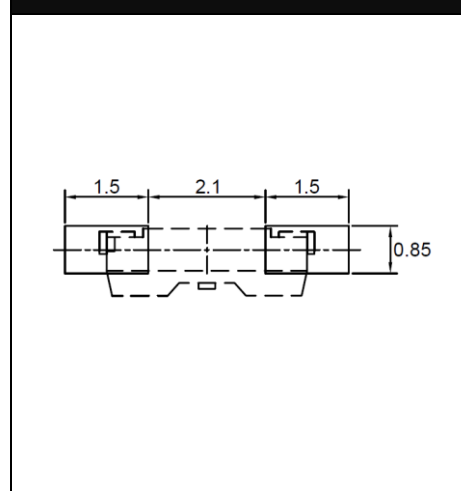
Colour Electrical & Optical Characteristics

Order Code	Colour	WL (nm)	$2\theta_{1/2}$ (°)	I_V (mcd)	V_F (V)	I_F (mA)	I_{MAX} (mA)
NOR01S83SV	Red ■	620-625nm	120	320	2.1	20	30
NOR31S69SV	Red ■	620-630nm	120	600	2.2	20	50
NOY01S84SV	Yellow ■	585-595nm	120	400	2.2	20	30
NOG01S81SV	Green ■	568-576nm	120	32	2.1	20	25
NOG01S86SV	Green ■	520-531nm	120	500	3.2	20	30
NOB01S82SV	Blue ■	450-462nm	120	200	3.2	20	30

Package Dimensions (mm)



Recommended Solder Pattern

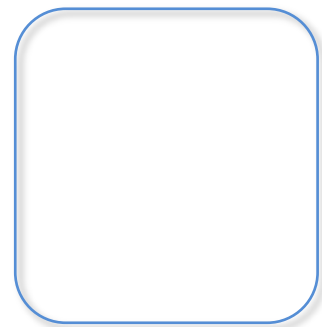




Reverse Mount

Reverse Mount

- 1206RV (3216)92
- 1209RV (3224)93-94
- 2421RV95-96
- 2520RV97



PCB / CHIP Reverse Mount

1206RV (3216)



Features:

- Reverse Mount
- Low Power LED
- Top View
- Various Colours
- Compatible Package
- High Efficiency
- High Lumen Output
- Large Emitting Area

Applications:

- Indication Lamps
- Decoration Light
- 3C Consumer Goods
- Light Strip

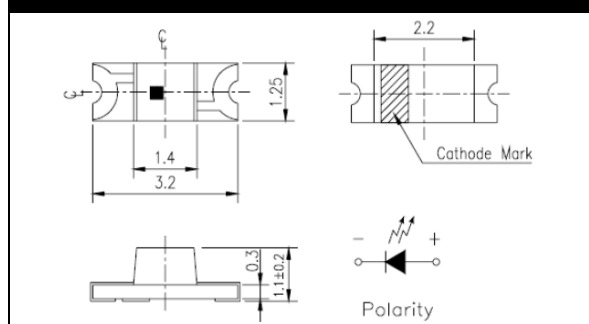
White Electrical & Optical Characteristics

Order Code	Colour	CCT (K)	$2\theta_{1/2}$ (°)	I_V (mcd)	V_F (V)	I_F (mA)	I_{MAX} (mA)
N0W16S97RV	Sky White	6340-27100K	140	80	2.8	5	25
N0W19S61RV *	Sky White	5600-416000K	140	180	3.1	20	30

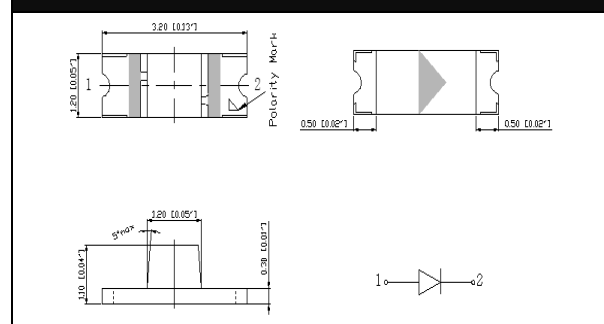
Colour Electrical & Optical Characteristics

Order Code	Colour	WL (nm)	$2\theta_{1/2}$ (°)	I_V (mcd)	V_F (V)	I_F (mA)	I_{MAX} (mA)
N0R09S73RV	Red	617-634nm	130	50	2.0	20	25
N0R28S92RV *	Red	615-630nm	140	100	2.0	20	30
N0Y09S74RV	Yellow	585-595nm	130	50	2.0	20	25
N0G28S91RV *	Green	565-576nm	140	35	2.0	20	30
N0G09S75RV	Green	520-535nm	130	250	3.2	5	25
N0B13S94RV	Blue	465-475nm	130	35	3.2	5	25
N0B19S60RV *	Blue	460-470nm	140	120	3.2	20	30

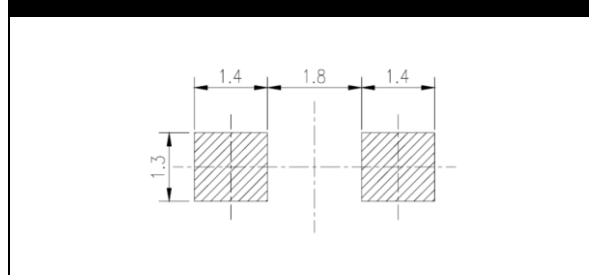
Package Dimensions (mm)



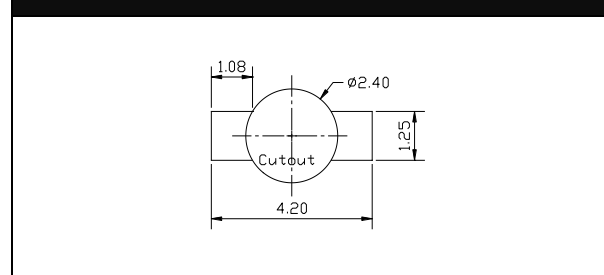
Package Dimensions (mm) *



Recommended Solder Pattern



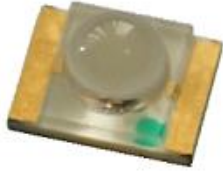
Recommended Solder Pattern *



PCB / CHIP Reverse Mount

1209RV (3224)

15°



Features:

- Reverse Mount
- Low Power LED
- Top View
- Narrow Viewing Angle
- Various Colours
- High Efficiency
- High Lumen Output

Applications:

- Indication Lamps
- Decoration Light
- 3C Consumer Goods
- Light Strip

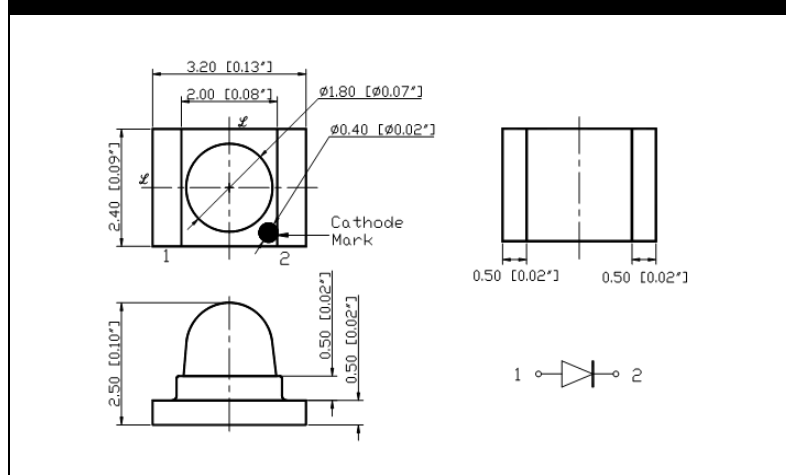
White Electrical & Optical Characteristics

Order Code	Colour	CCT (K)	$2\theta_{1/2}$ (°)	I_V (mcd)	V_F (V)	I_F (mA)	I_{MAX} (mA)
NOW10S62RV	Sky White	5600-46500K	130	140	3.1	20	30
NOW16S94RV	Sky White	5600-46500K	130	280	3.0	20	30

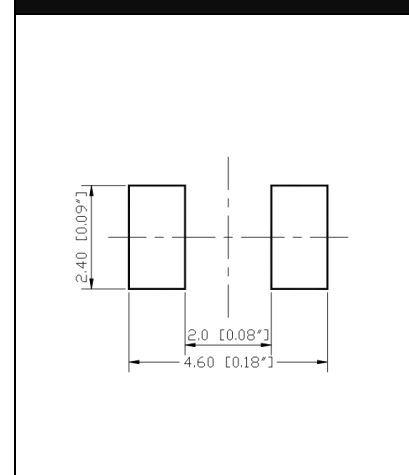
Colour Electrical & Optical Characteristics

Order Code	Colour	WL (nm)	$2\theta_{1/2}$ (°)	I_V (mcd)	V_F (V)	I_F (mA)	I_{MAX} (mA)
NOR10S61RV	Red	625-635nm	15	1600	2.0	20	30
NOR10S60RV	Red	620-630nm	15	3850	2.0	20	30
NOA16S95RV	Amber	600-610nm	15	3350	2.0	20	30
NOY10S63RV	Yellow	585-595nm	15	3400	2.0	20	30
NOG10S56RV	Green	565-576nm	15	1000	2.0	20	30
NOG10S57RV	Green	520-530nm	15	8800	3.2	20	30
NOB10S55RV	Blue	460-470nm	15	1300	3.1	20	30

Package Dimensions (mm)



Recommended Solder Pattern



PCB / CHIP Reverse Mount

1209RV (3224) Dual Colours / RGB

60°



Features:

- Reverse Mount
- Low Power LED
- Top View
- Narrow Viewing Angle
- Dual Colours / RGB
- High Efficiency
- High Lumen Output

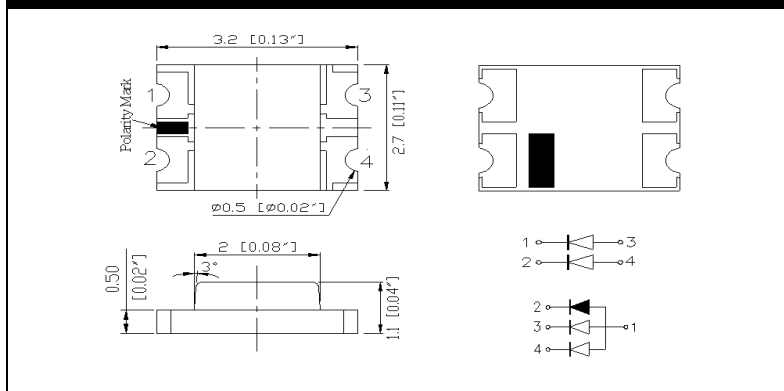
Applications:

- Indication Lamps
- Decoration Light
- 3C Consumer Goods
- Light Strip

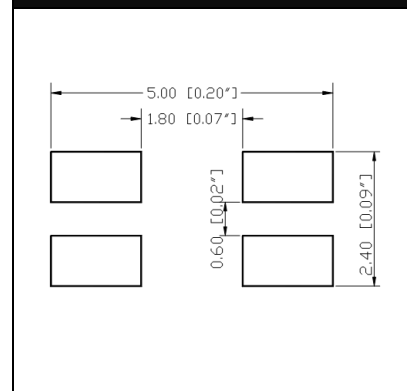
Dual Colour Electrical & Optical Characteristics

Order Code	Colour	WL (nm)	2θ _{1/2} (°)	I _v (mcd)	V _F (V)	I _F (mA)
N0D11S90RV	Red/Green ■ ■	640/570nm	60	60/40	2.0/2.0	20/20

Package Dimensions (mm)



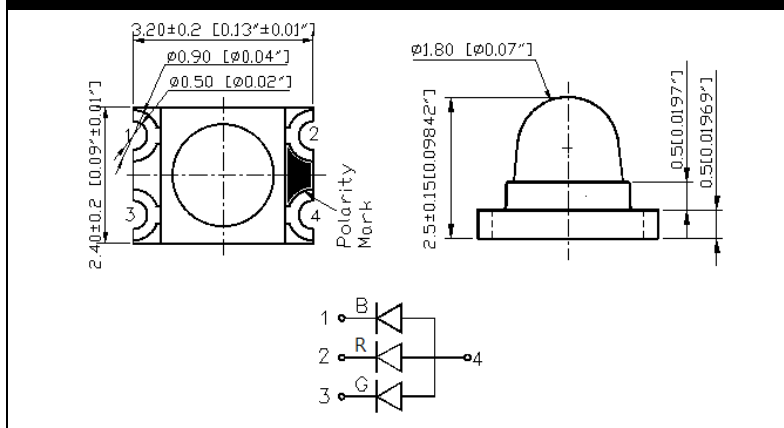
Recommended Solder Pattern



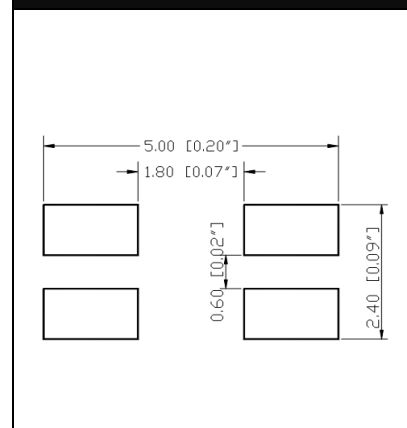
RGB Electrical & Optical Characteristics

Order Code	Colour	WL (nm)	2θ _{1/2} (°)	I _v (mcd)	V _F (V)	I _F (mA)
N0M11S91RV	Red/Green/Blue ■ ■ ■	620/525/470nm	60	160/460/65	2.0/3.1/3.1	20/20/20

Package Dimensions (mm)



Recommended Solder Pattern



Lead Frame Reverse Mount

2421RV

20°



Features:

- Reverse Mount
- Low Power LED
- Small Viewing Angle
- Various Colours
- High Efficiency
- High Intensity Output
- Reel Packing

Applications:

- Indication Light
- Traffic Signal
- Information Board
- Decoration Lighting
- Signal and Switch

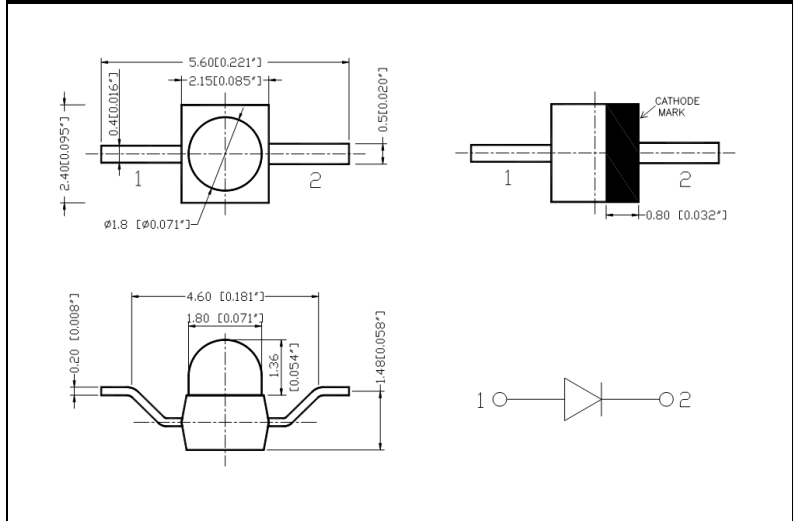
White Electrical & Optical Characteristics

Order Code	Colour	CCT (K)	2θ _{1/2} (°)	I _v (mcd)	V _F (V)	I _F (mA)	I _{MAX} (mA)
NOW12S15RV	Sky White	5600-46500K	150	380	3.2	20	30

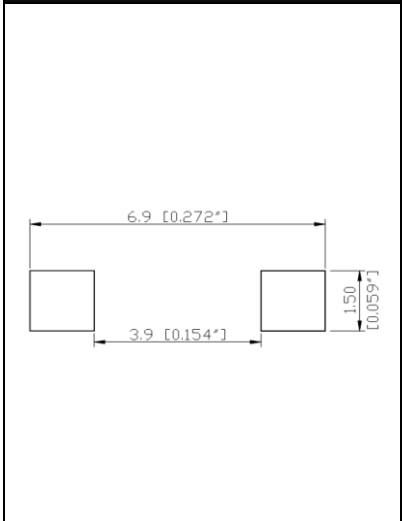
Colour Electrical & Optical Characteristics

Order Code	Colour	WL (nm)	2θ _{1/2} (°)	I _v (mcd)	V _F (V)	I _F (mA)	I _{MAX} (mA)
NOR12S14RV	Red	625-635nm	20	2000	2.0	20	30
NOR12S13RV	Red	615-630nm	20	2400	2.0	20	30
NOY12S16RV	Yellow	585-595nm	20	2600	2.0	20	30
NOG12S11RV	Green	565-576nm	20	520	2.0	20	30
NOG12S12RV	Green	520-530nm	20	10000	3.2	20	30
NOB12S10RV	Blue	460-470nm	20	1300	3.1	20	30

Package Dimensions (mm)



Recommended Solder Pattern



Lead Frame Reverse Mount

2421RV Flat



Features:

- Reverse Mount
- Low Power LED
- Small Viewing Angle
- Various Colours
- High Efficiency
- High Intensity Output
- Reel Packing

Applications:

- Indication Light
- Traffic Signal
- Information Board
- Decoration Lighting
- Signal and Switch

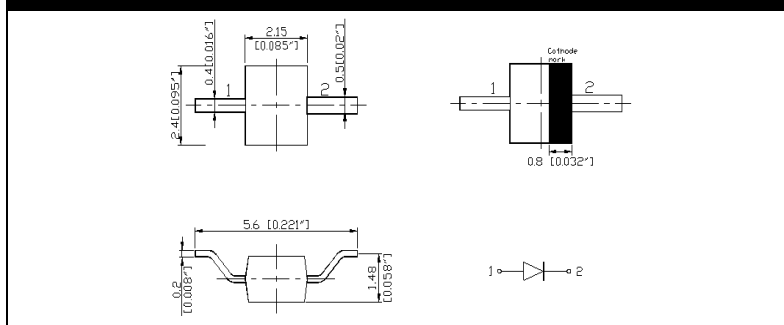
White Electrical & Optical Characteristics

Order Code	Colour	CCT (K)	$2\theta_{1/2}$ (°)	I _v (mcd)	V _F (V)	I _F (mA)	I _{MAX} (mA)
NOW12S02RV	Sky White	5600-46500K	150	250	3.2	20	30

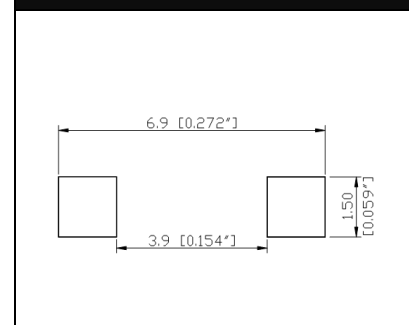
Colour Electrical & Optical Characteristics

Order Code	Colour	WL (nm)	$2\theta_{1/2}$ (°)	I _v (mcd)	V _F (V)	I _F (mA)	I _{MAX} (mA)
NOR12S01RV	Red	625-635nm	150	95	2.0	20	30
NOR12S00RV	Red	615-630nm	150	120	2.0	20	30
NOY12S03RV	Yellow	585-595nm	150	150	2.0	20	30
NOG11S99RV	Green	565-575nm	150	45	2.0	20	30
NOB11S98RV	Blue	460-470nm	150	50	3.1	20	30

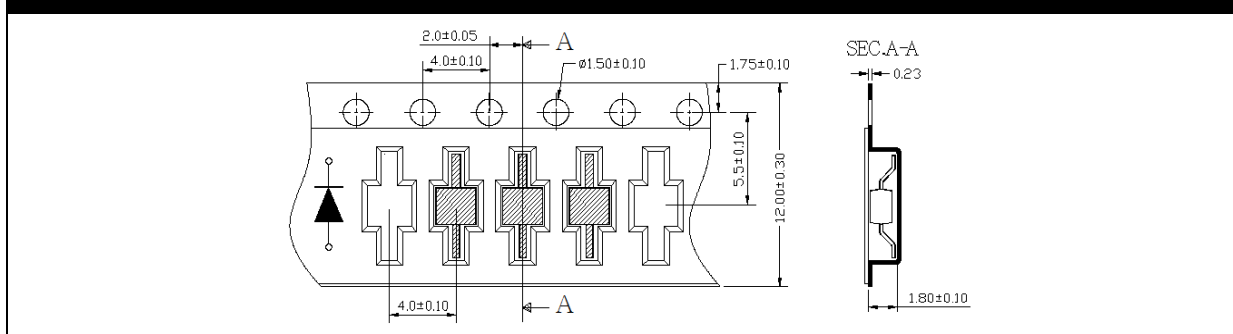
Package Dimensions (mm)



Recommended Solder Pattern



Packing Dimensions (mm)



Lead Frame Reverse Mount

2520RV

20°



Features:

- Reverse Mount
- Low Power LED
- Small Viewing Angle
- Various Colours
- High Efficiency
- High Intensity Output
- Reel Packing

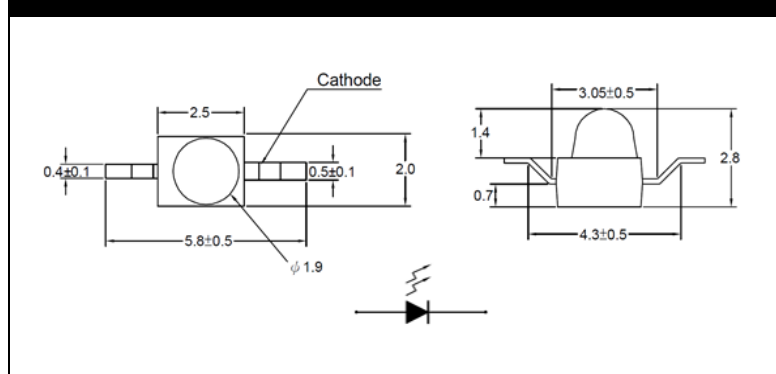
Applications:

- Indication Light
- Traffic Signal
- Information Board
- Decoration Lighting
- Signal and Switch

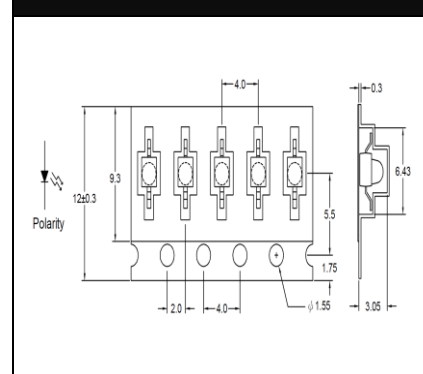
Electrical & Optical Characteristics

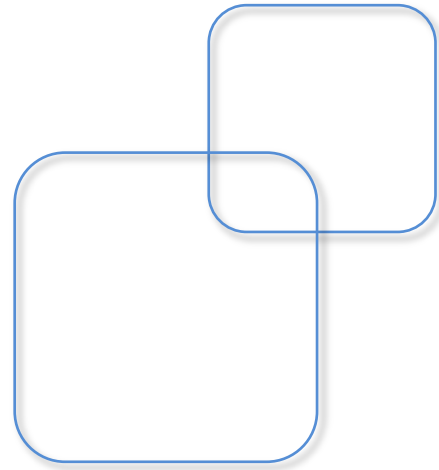
Order Code	Colour	WL (nm)	2θ _{1/2} (°)	I _V (mcd)	V _F (V)	I _F (mA)	I _{MAX} (mA)
NOR06S51RV	Red	620-640nm	20	2700	2.2	20	50
NOR14S24RV	Red	620-640nm	20	2200	2.0	20	25
NOA23S23RV	Amber	600-610nm	20	2200	2.1	20	50
NOY06S52RV	Yellow	580-630nm	20	1100	2.2	20	50
NOG09S54RV	Green	570-574nm	20	450	2.2	20	30
NOG23S21RV	Green	520-530nm	20	1800	3.5	20	30
NOB23S22RV	Blue	460-480nm	20	220	3.5	20	30

Package Dimensions (mm)



Packing Dimension





Ultraviolet (UV)

UV LED

- 5mm Lamp99	- 3535105-106
- 0603 (1608)100	- 3535107-109
- 3020101	- 5252110-112
- 3528102	- 6868113-114
- 3528+Lens103	- 9090115
- K1104		

Sorting by Wavelength:

365nm

- 3535105-106	- 3020101	- 3535105-106
- 3939107-109	- 3528102	- 3939107-109
- 5252111	- K1104	- 5252110-112
- 6868113-114	- 3535105-106		
- 9090115	- 3939107-109		

385nm

- 3535105-106	- 5252110-112	415nm	
- 3939107-109	- 6868113-114	- 5mm Lamp99
- 5252110-112	- 9090115	- 3528+Lens103
- 6868113-114			- 3535105-106
- 9090115			- 5252111-112

395nm

- 0603 (1608)100			425nm	
				- 3535105-106

PTH Lamp

5mm Round 8.6t / 8.15t

415nm



Features:

- Low Power LED
- THT T1 3/4 Lamp
- Available in Bulk or Taping
- Hand Soldering Possible
- Narrow Viewing Angle
- Epoxy Lens

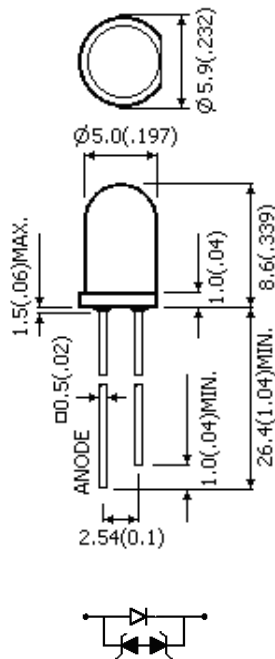
Applications:

- Nail Art Curing
- Skin Tanning
- Counterfeit Banknote Detection
- Ink Curing

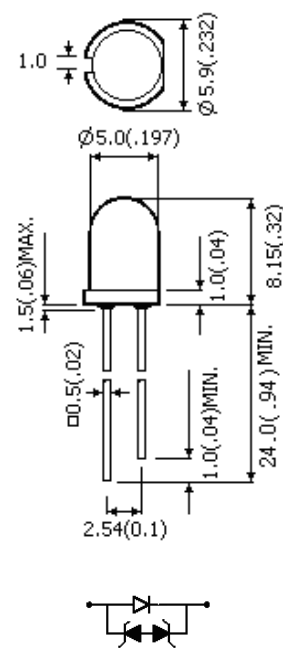
Electrical & Optical Characteristics

Order Code	Colour	WL (nm)	$2\theta_{1/2}$ (°)	P_o (mW)	V_F (V)	I_F (mA)	I_{MAX} (mA)
N0Q15L83Z	Purple	410-420nm	16	160	2.2	20	30
N0Q15L95Z	Purple	410-420nm	40	70	3.5	20	30

N0Q15L83Z Package Dimensions (mm)



N0Q15L95Z Package Dimensions (mm)



PCB / CHIP LED

0603 (1608) 0.8t

395nm

405nm



Features:

- Low Power LED
- Top View
- Surface Mount Device
- Ultra Small Solution
- Epoxy Lens

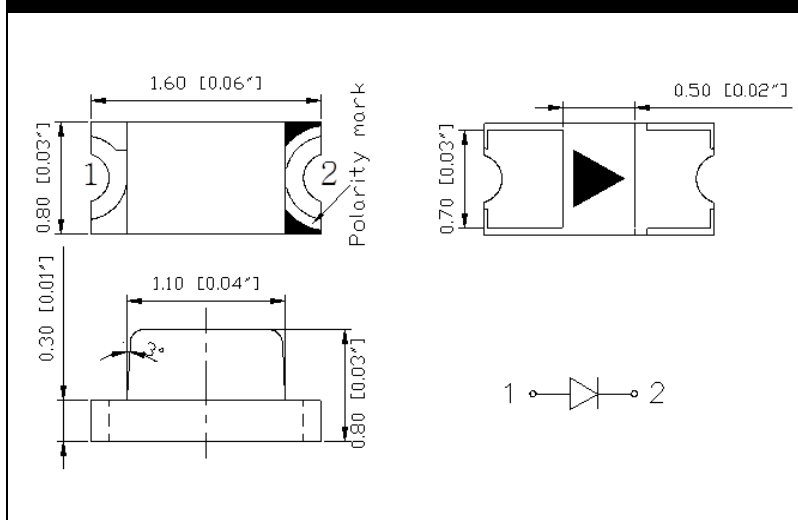
Applications:

- Nail Art Curing
- Skin Tanning
- Counterfeit Banknote Detection
- Ink Curing

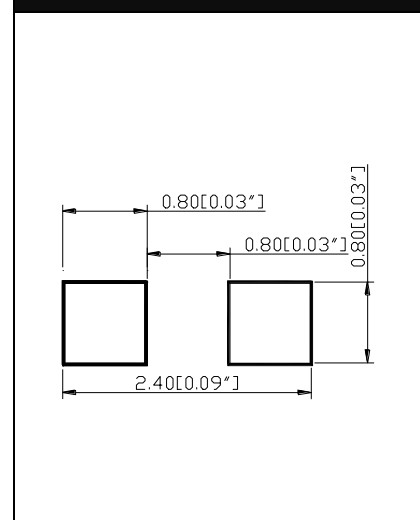
Electrical & Optical Characteristics

Order Code	Colour	WL (nm)	$2\theta_{1/2}$ (°)	I_V (mcd)	V_F (V)	I_F (mA)	I_{MAX} (mA)
NOQ18S76	UV	390-400nm	140	2.2	3.3	20	30
NOQ18S77	UV	400-410nm	140	2.9	3.1	20	30

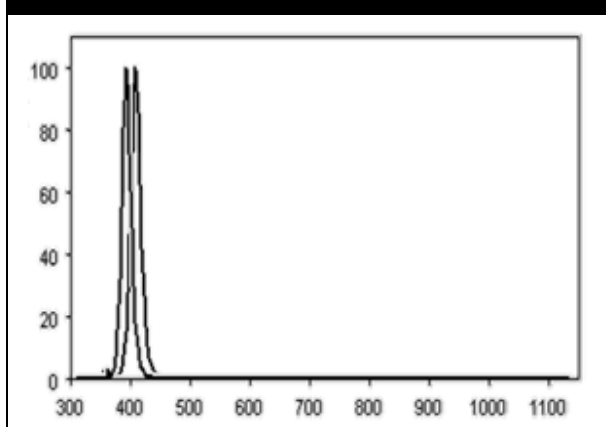
Package Dimensions (mm)



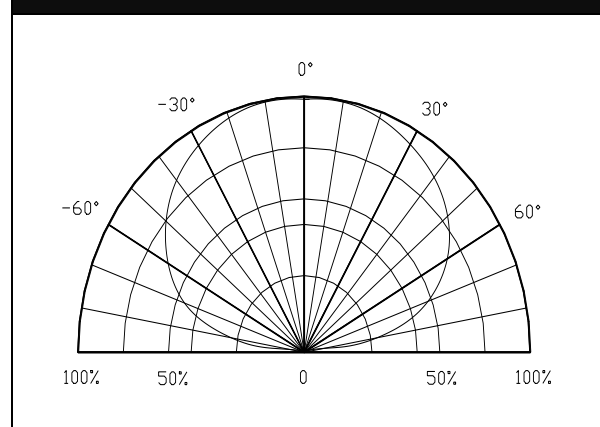
Recommended Solder Pattern



Relative Spectral Distribution



Directive Radiation



PLCC2 LED

3020 1.3t

395nm

405nm





Features:

- Low Power LED
- Top View
- Surface Mount Device
- Large Emitting Area
- Silicone Lens

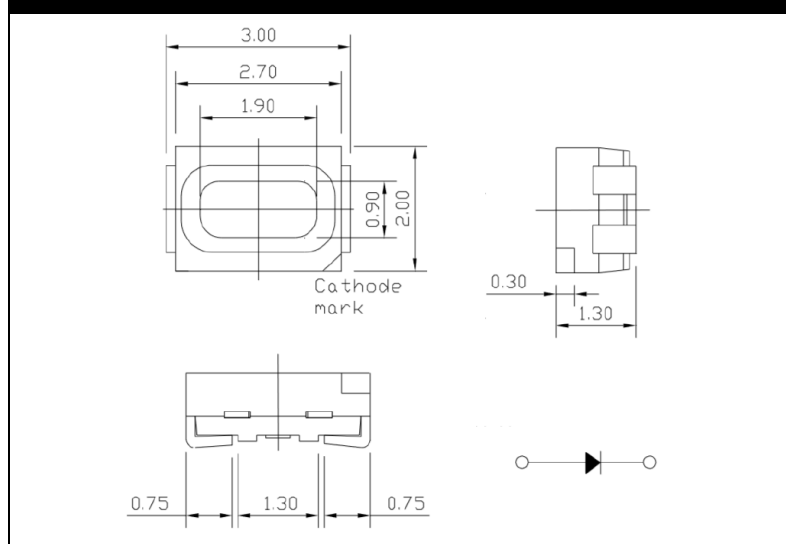
Applications:

- Nail Art Curing
- Skin Tanning
- Counterfeit Banknote Detection
- Ink Curing
- LED UV Tube

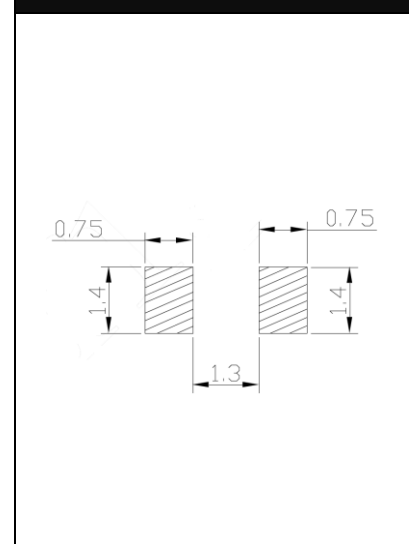
Electrical & Optical Characteristics

Order Code	Colour	WL (nm)	$2\theta_{1/2}$ (°)	P_O (mW)	V_F (V)	I_F (mA)	I_{MAX} (mA)
N0Q23S44-395	UV 	390-400nm	120	18	3.3	20	25
N0Q23S44-405	UV 	400-410nm	120	18	3.3	20	25

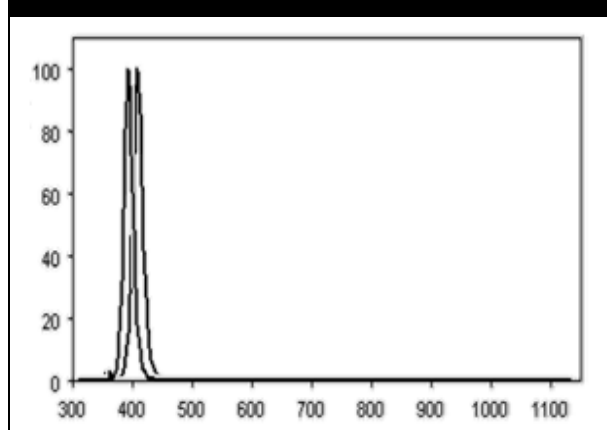
Package Dimensions (mm)



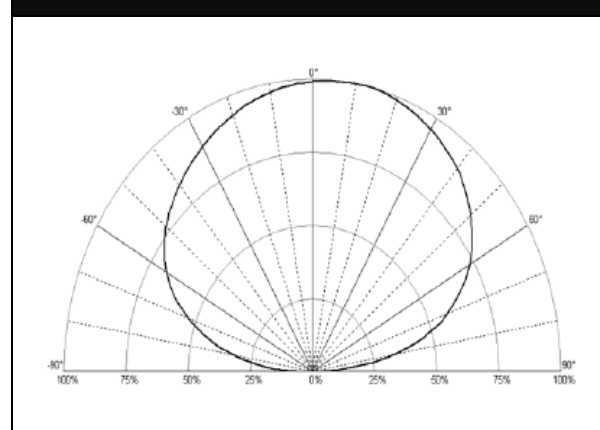
Recommended Solder Pattern



Relative Spectral Distribution



Directive Radiation



PLCC2 LED

3528 1.9t

395nm

400nm





Features:

- Low Power LED
- Top View
- Surface Mount Device
- Large Emitting Area
- Silicone Lens

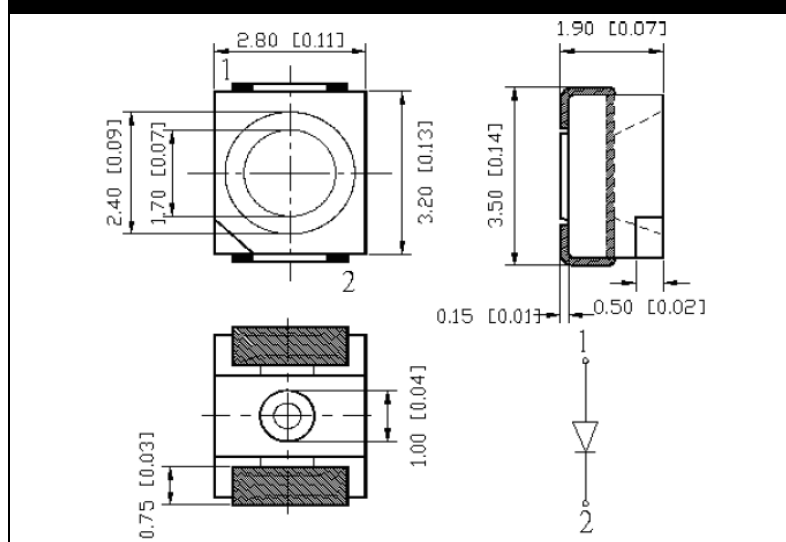
Applications:

- Nail Art Curing
- Skin Tanning
- Counterfeit Banknote Detection
- Ink Curing
- LED UV Tube

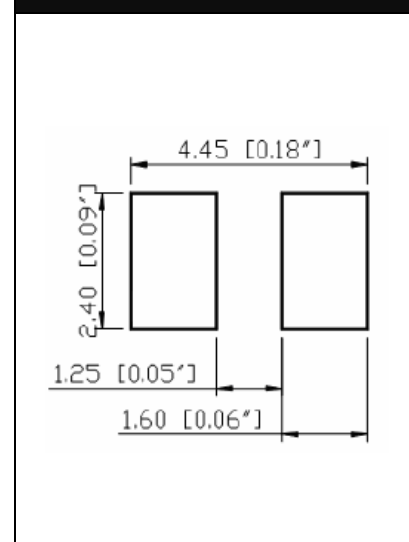
Electrical & Optical Characteristics

Order Code	Colour	WL (nm)	$2\theta_{1/2}$ (°)	I_V (mcd)	V_F (V)	I_F (mA)	I_{MAX} (mA)
NOQ05S76	UV 	395-405nm	120	11	3.2	20	30
NOQ18S75	UV 	390-400nm	120	30	3.2	20	30

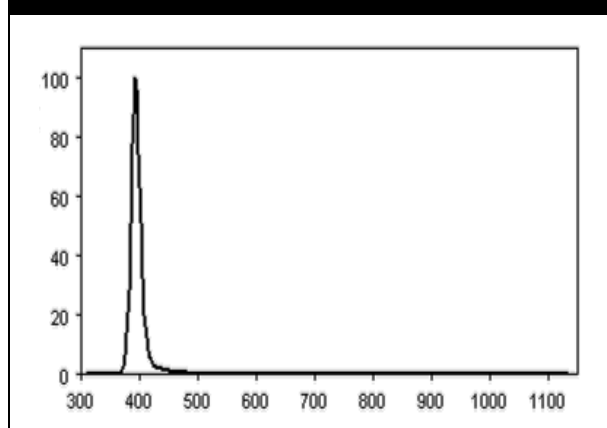
Package Dimensions (mm)



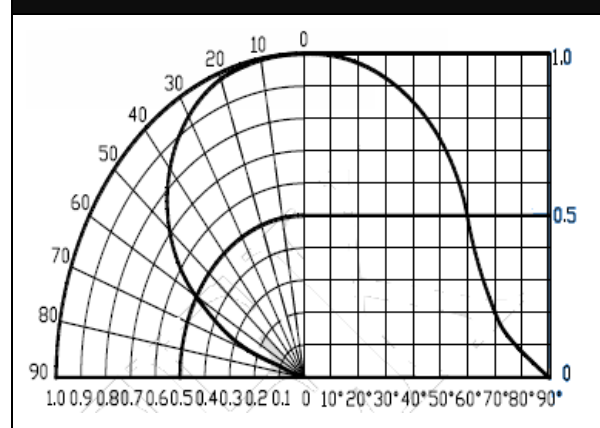
Recommended Solder Pattern



Relative Spectral Distribution



Directive Radiation



PLCC2 LED

3528+Lens 2.6t

415nm



Features:

- Low Power LED
- Top View
- Surface Mount Device
- Narrow Viewing Angle
- Epoxy Lens

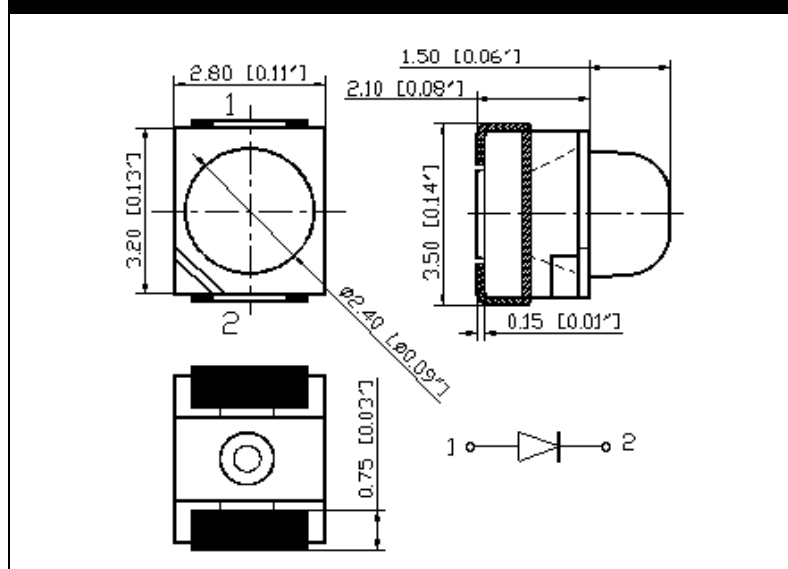
Applications:

- Nail Art Curing
- Skin Tanning
- Counterfeit Banknote Detection
- Ink Curing

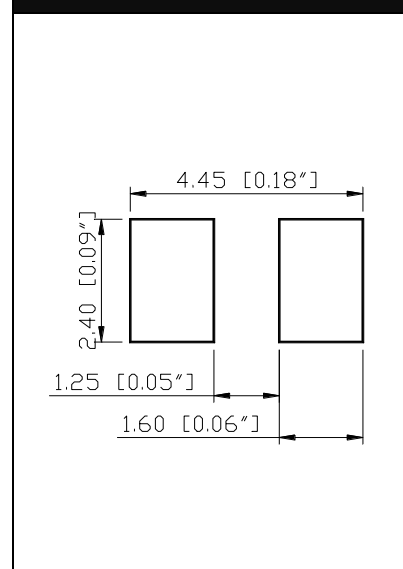
Electrical & Optical Characteristics

Order Code	Colour	WL (nm)	$2\theta_{1/2}$ (°)	I_V (mcd)	V_F (V)	I_F (mA)	I_{MAX} (mA)
NOQ17S02	Purple ■	410-420nm	30	25	3.3	20	30

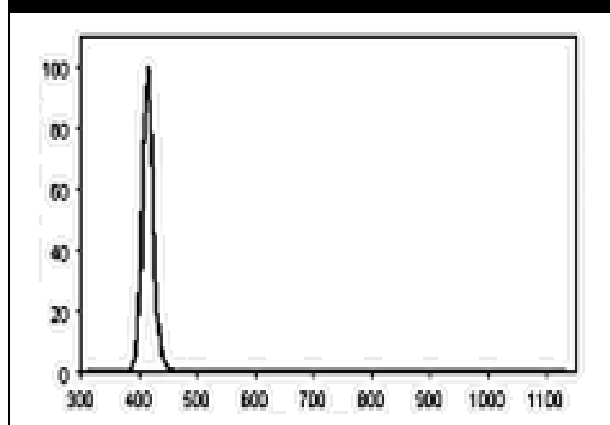
Package Dimensions (mm)



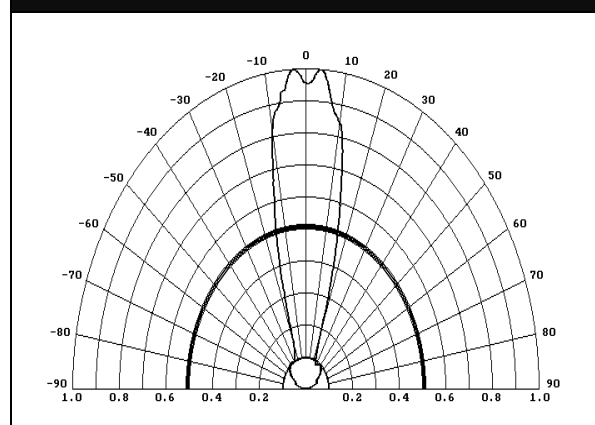
Recommended Solder Pattern



Relative Spectral Distribution



Directive Radiation



PLCC2 LED

K1 5.15t

395nm

405nm



Features:

- High Power LED
- Top View
- Surface Mount Device
- Gold-Plating Pins
- Single Die Package
- Silicone Lens

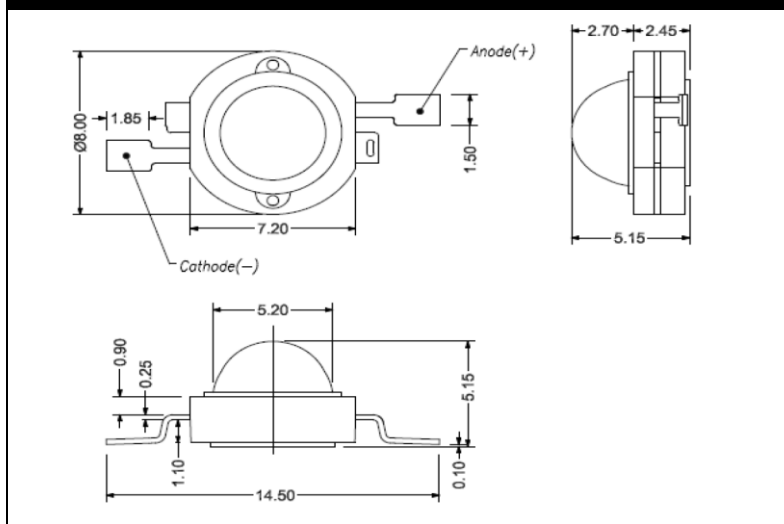
Applications:

- Counterfeit Banknote Detection
- Ink Curing

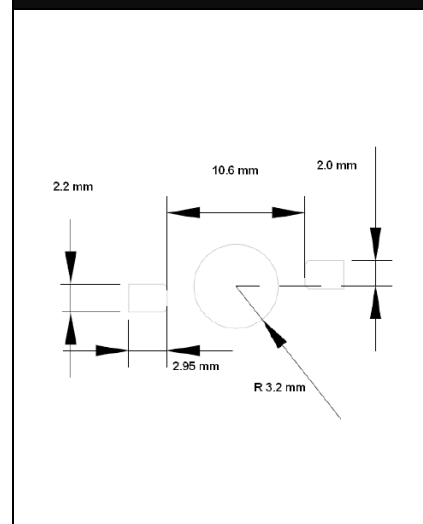
Electrical & Optical Characteristics

Order Code	Colour	WL (nm)	$2\theta_{1/2}$ (°)	P_O (mW)	V_F (V)	I_F (mA)	I_{MAX} (mA)
NOQ06S23	UV	390-400nm	135	420	3.4	500	500
NOQ06S24	UV	400-410nm	135	420	3.4	500	500

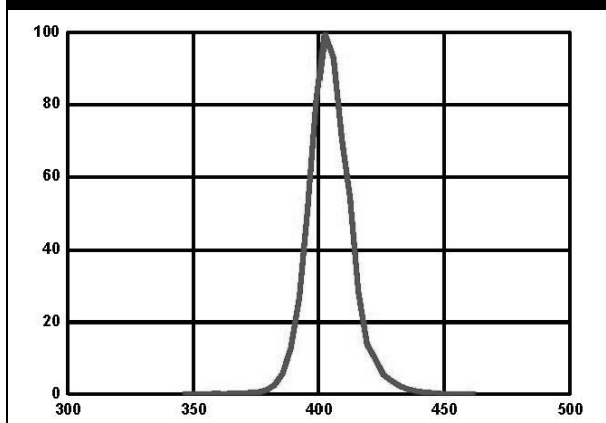
Package Dimensions (mm)



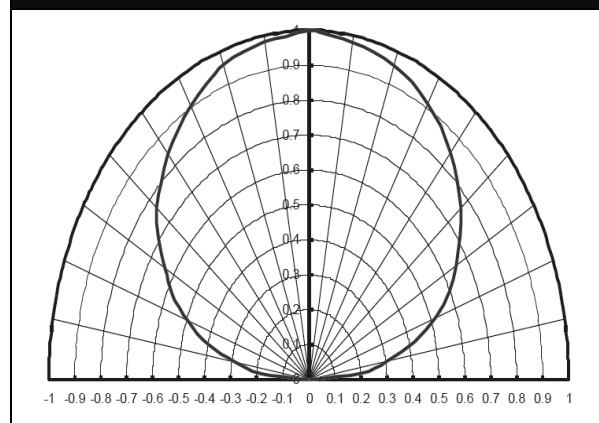
Recommended Solder Pattern



Relative Spectral Distribution



Directive Radiation



Ceramic LED

3535 1~2W 120°

365nm

395nm

415nm

385nm

405nm

425nm



Features:

- High Power LED
- High Radiant Power Output
- Top View
- Surface Mount Device
- Ceramic Substrate
- Single Die Package
- Silicone Lens

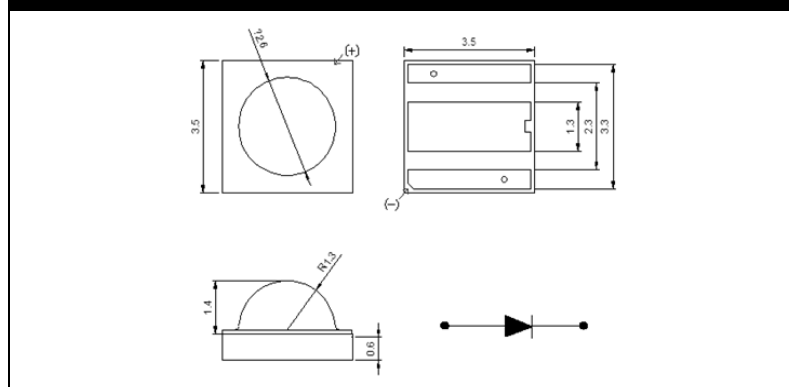
Applications:

- Photocatalysis Air Purification
- Counterfeit Banknote Detection
- Ink Curing
- Resin Curing

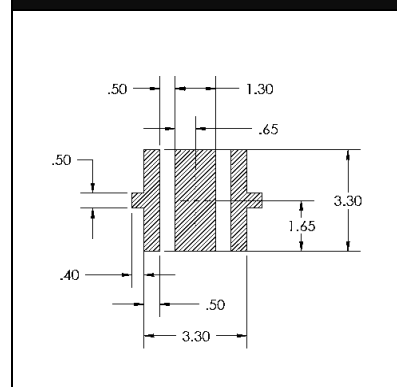
Electrical & Optical Characteristics

Order Code	Colour	WL (nm)	$2\theta_{1/2}$ (°)	P _O (mW)	V _F (V)	I _F (mA)	Zener
NOQ19S08	UV	365-370nm	120	450	3.7	500	-
NOQ31S31Z	UV	365-375nm	120	660	3.4	500	Yes
NOQ10S95Z	UV	380-390nm	120	750	3.7	500	Yes
NOQ10S91Z	UV	390-400nm	120	750	3.7	500	Yes
NOQ10S92Z	UV	400-410nm	120	750	3.7	500	Yes
NOQ19S02	UV	410-420nm	120	750	3.7	500	-
NOQ16S79Z	UV	410-430nm	120	750	3.7	500	Yes

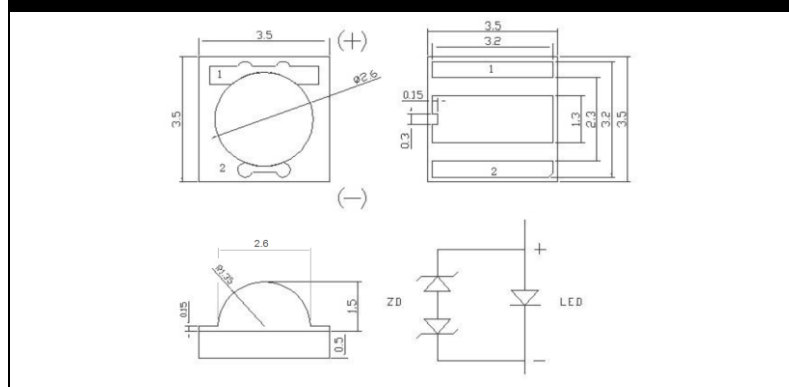
Package Dimensions (mm) - without Zeners



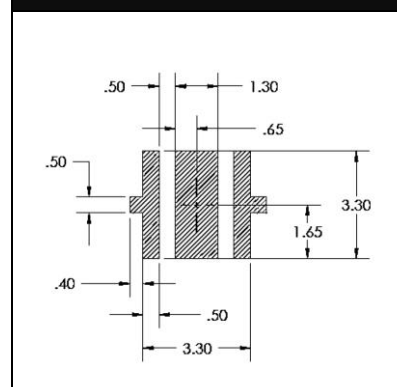
Recommended Solder Pattern



Package Dimensions (mm) - with Zeners



Recommended Solder Pattern



Ceramic LED

3535 1~2W 60°

365nm

395nm

415nm

385nm

405nm

425nm



Features:

- High Power LED
- High Radiant Power Output
- Top View
- Surface Mount Device
- Narrow Viewing Angle
- Ceramic Substrate
- Single Die Package
- Silicone Lens

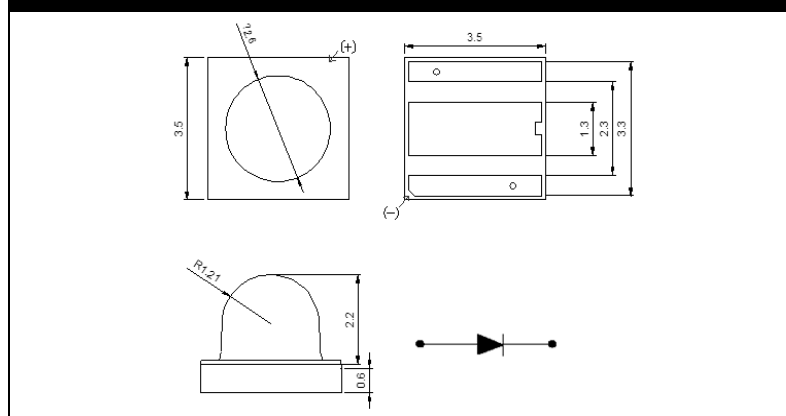
Applications:

- Photocatalysis Air Purification
- Counterfeit Banknote Detection
- Ink Curing
- Resin Curing

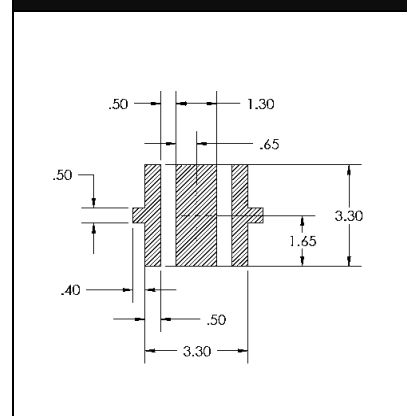
Electrical & Optical Characteristics

Order Code	Colour	WL (nm)	2θ _{1/2} (°)	P _O (mW)	V _F (V)	I _F (mA)	Zener
NOQ19S07	UV	365-370nm	60	450	3.7	500	-
NOQ31S32Z	UV	365-375nm	60	660	3.4	500	Yes
NOQ10S96Z	UV	380-390nm	60	750	3.7	500	Yes
NOQ10S97Z	UV	390-400nm	60	750	3.7	500	Yes
NOQ10S98Z	UV	400-410nm	60	750	3.7	500	Yes
NOQ19S01	UV	410-420nm	60	750	3.7	500	-
NOQ16S80Z	Purple	410-430nm	60	750	3.7	500	Yes

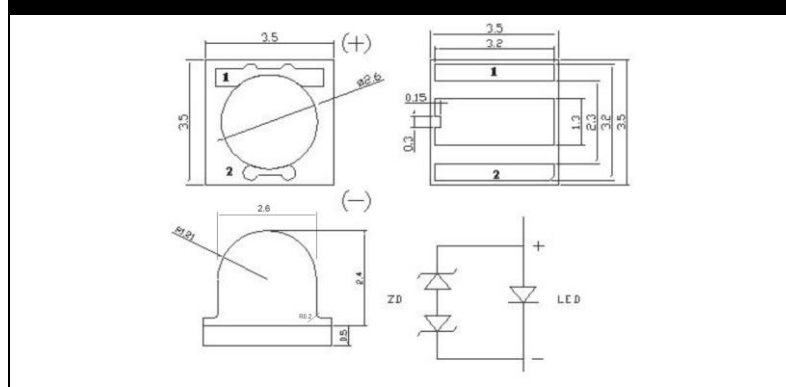
Package Dimensions (mm) - without Zeners



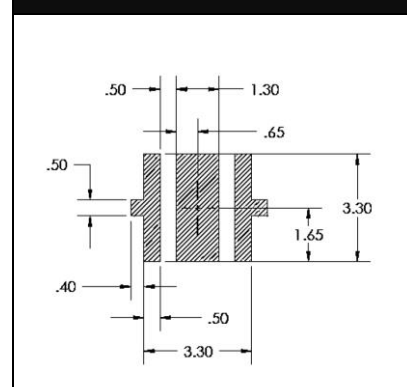
Recommended Solder Pattern



Package Dimensions (mm) - with Zeners



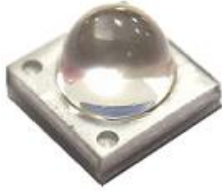
Recommended Solder Pattern



Ceramic LED

3939 1-2W 30°

- 365nm
- 395nm
- 385nm
- 405nm



Features:

- High Power LED
- High Radiant Power Output
- Top View
- Surface Mount Device
- Narrow Viewing Angle
- Ceramic Substrate
- Single Die Package
- Silicone Lens

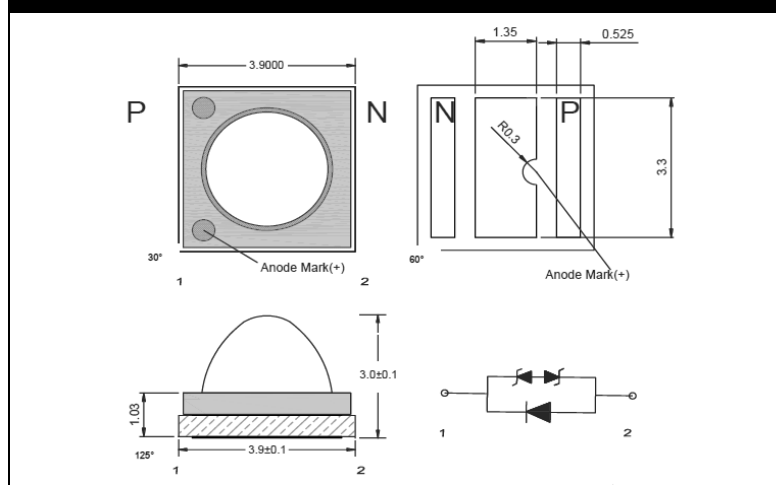
Applications:

- Photocatalysis Air Purification
- Counterfeit Banknote Detection
- Ink Curing
- Resin Curing

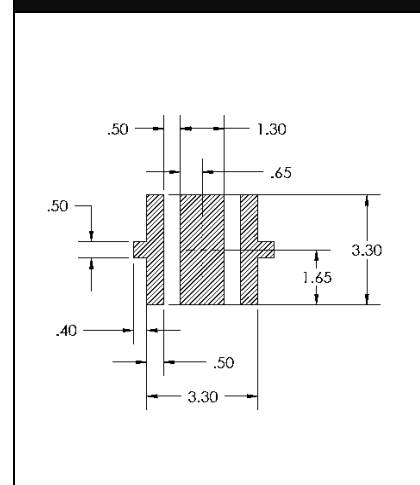
Electrical & Optical Characteristics

Order Code	Colour	WL (nm)	2θ _{1/2} (°)	P _O (mW)	V _F (V)	I _F (mA)	Zener
NOQ32S01Z	UV	365-370nm	30	580	3.5	500	Yes
NOQ32S04Z	UV	380-390nm	30	1070	3.4	500	Yes
NOQ32S07Z	UV	390-400nm	30	1070	3.4	500	Yes
NOQ32S10Z	UV	400-410nm	30	1070	3.4	500	Yes

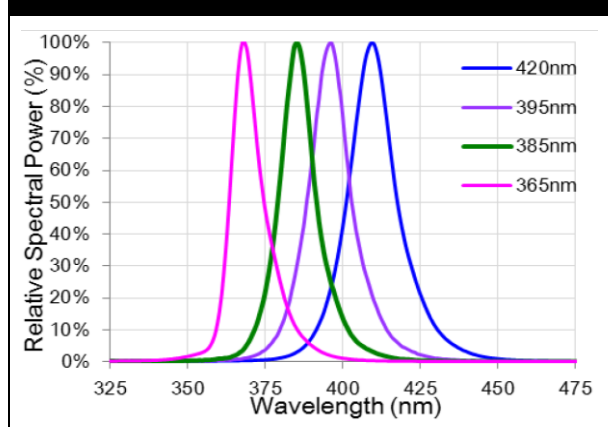
Package Dimensions (mm)



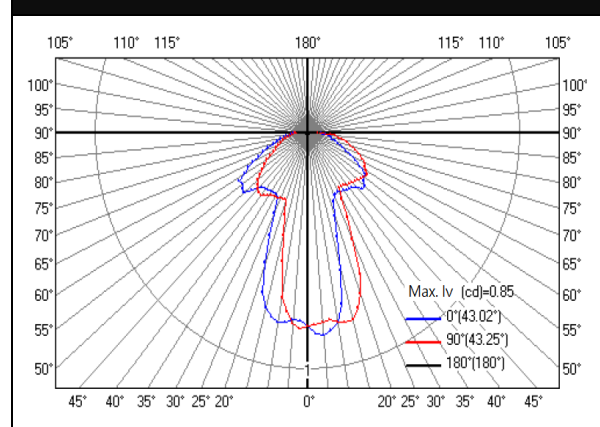
Recommended Solder Pattern



Relative Spectral Distribution



Directive Radiation



Ceramic LED

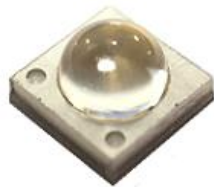
3939 1-2W 60°

365nm

395nm

385nm

405nm



Features:

- High Power LED
- High Radiant Power Output
- Top View
- Surface Mount Device
- Narrow Viewing Angle
- Ceramic Substrate
- Single Die Package
- Silicone Lens

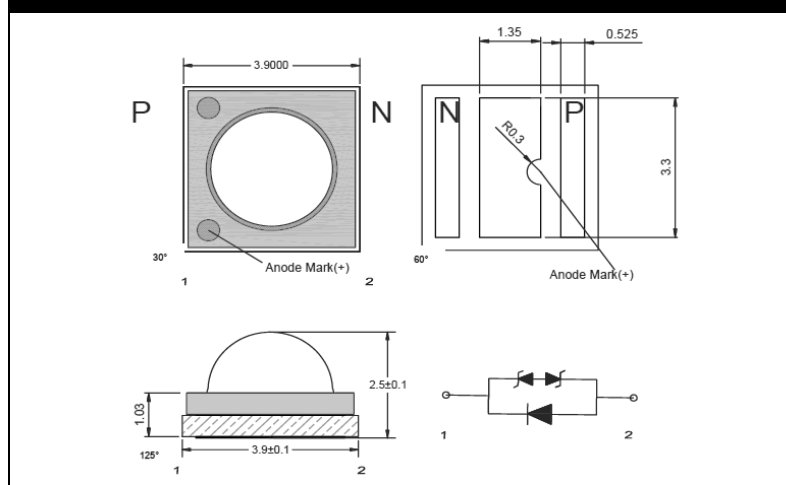
Applications:

- Photocatalysis Air Purification
- Counterfeit Banknote Detection
- Ink Curing
- Resin Curing

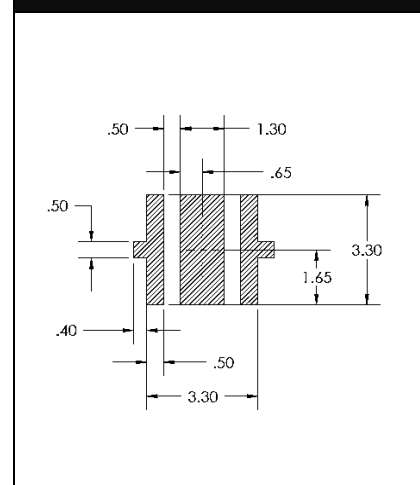
Electrical & Optical Characteristics

Order Code	Colour	WL (nm)	$2\theta_{1/2}$ (°)	P _O (mW)	V _F (V)	I _F (mA)	Zener
NOQ32S02Z	UV	365-370nm	60	580	3.5	500	Yes
NOQ32S05Z	UV	380-390nm	60	1070	3.4	500	Yes
NOQ32S08Z	UV	390-400nm	60	1070	3.4	500	Yes
NOQ32S11Z	UV	400-410nm	60	1070	3.4	500	Yes

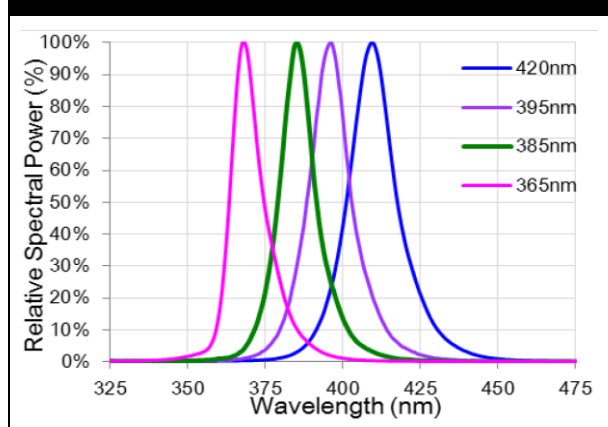
Package Dimensions (mm)



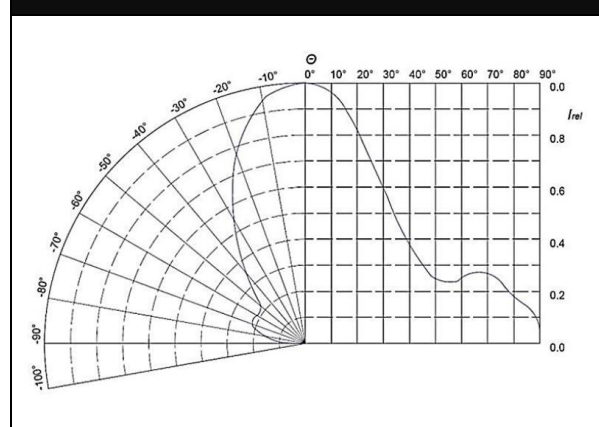
Recommended Solder Pattern



Relative Spectral Distribution



Directive Radiation



Ceramic LED

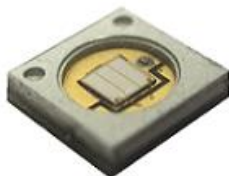
3939 1-2W Flat 120°

365nm

395nm

385nm

405nm



Features:

- High Power LED
- High Radiant Power Output
- Top View
- Surface Mount Device
- Ceramic Substrate
- Single Die Package
- Silicone Lens

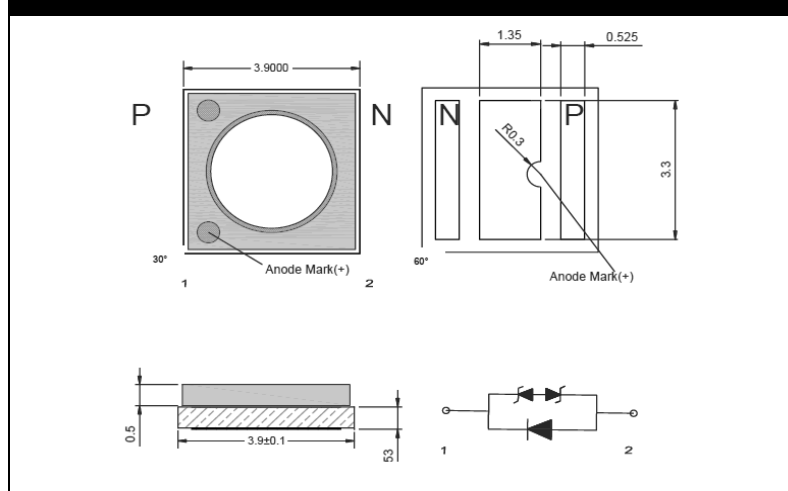
Applications:

- Photocatalysis Air Purification
- Counterfeit Banknote Detection
- Ink Curing
- Resin Curing

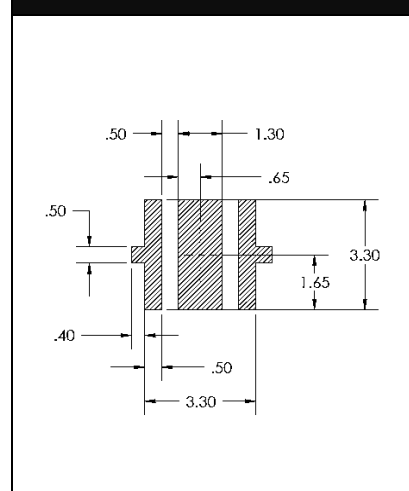
Electrical & Optical Characteristics

Order Code	Colour	WL (nm)	$2\theta_{1/2}$ (°)	P _O (mW)	V _F (V)	I _F (mA)	Zener
NOQ32S03Z	UV	365-370nm	120	580	3.5	500	Yes
NOQ32S06Z	UV	380-390nm	120	1070	3.4	500	Yes
NOQ32S09Z	UV	390-400nm	120	1070	3.4	500	Yes
NOQ32S12Z	UV	400-410nm	120	1070	3.4	500	Yes

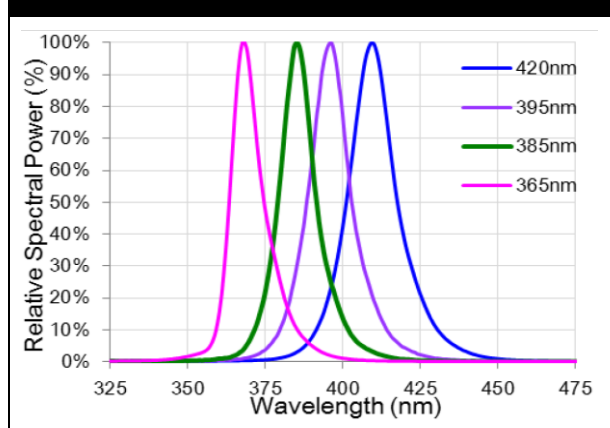
Package Dimensions (mm)



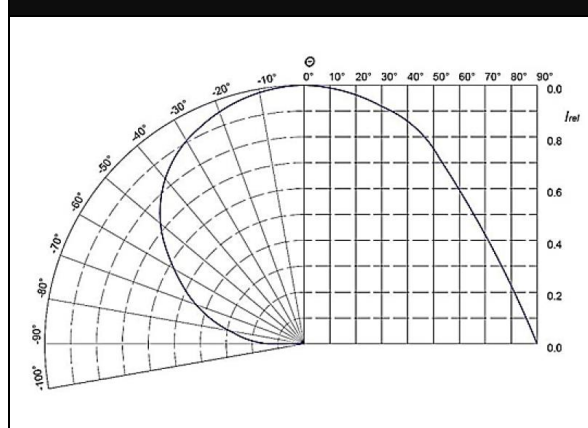
Recommended Solder Pattern



Relative Spectral Distribution



Directive Radiation



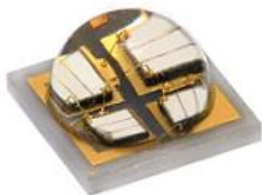
Ceramic LED

5252 Multi-Chips

395nm

385nm

405nm



Features:

- High Power LED
- High Radiant Power Output
- Top View
- Surface Mount Device
- Multi-chip Package
- Ceramic Substrate
- Silicone Lens

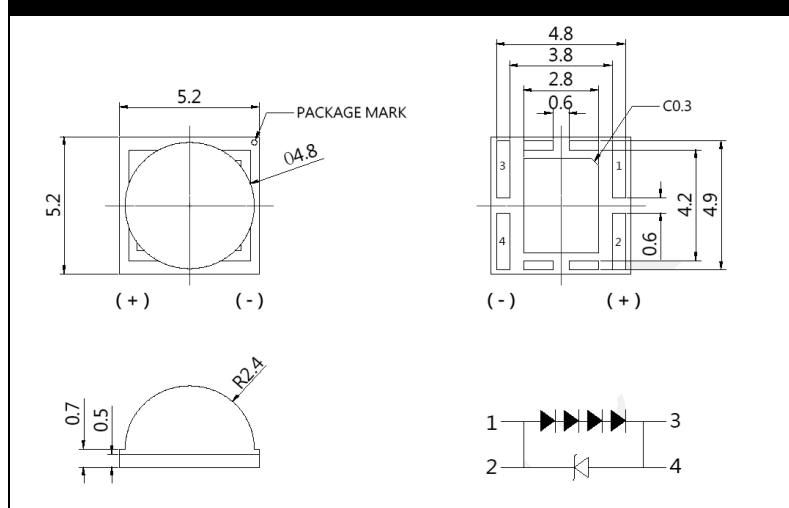
Applications:

- Counterfeit Banknote Detection
- Ink Curing
- Resin Curing

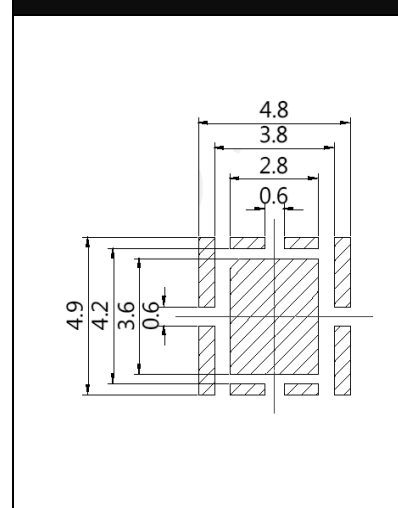
Electrical & Optical Characteristics (typ. at 500mA)

Order Code	Colour	WL (nm)	$2\theta_{1/2}$ (°)	P _O (mW)	V _F (V)	I _F (mA)	Zener
NOQ16S48Z	UV	380-390nm	140	2600	14.5	500	Yes
NOQ09S09Z	UV	390-400nm	140	2600	14.5	500	Yes
NOQ09S10Z	UV	400-410nm	140	2600	14.5	500	Yes

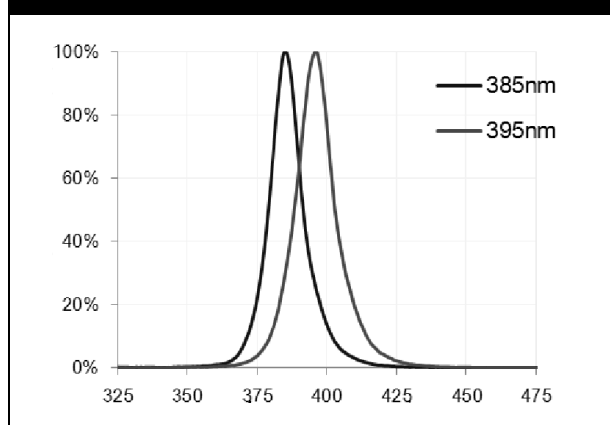
Package Dimensions (mm)



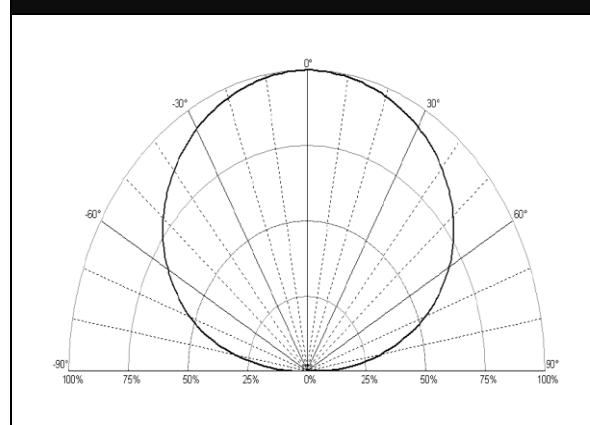
Recommended Solder Pattern



Relative Spectral Distribution



Directive Radiation



Ceramic LED

5252 Single Chip

385nm

405nm

365nm

395nm

415nm



Features:

- High Power LED
- High Radiant Power Output
- Top View
- Surface Mount Device
- Ceramic Substrate
- Single Die Package
- Silicone Lens

Applications:

- Photocatalysis Air Purification
- Counterfeit Banknote Detection
- Ink Curing
- Resin Curing

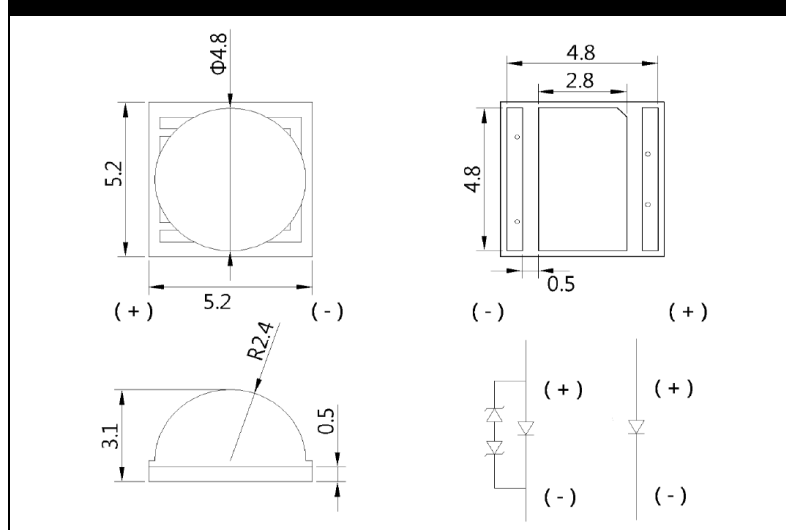
Electrical & Optical Characteristics (typ. at 500mA)

Order Code	Colour	WL (nm)	$2\theta_{1/2}$ (°)	P _O (mW)	V _F (V)	I _F (mA)	Zener
NOQ27S05	UV	365-370nm	125	800	3.8	500	-
NOQ27S04	UV	380-390nm	125	800	3.8	500	-
NOQ27S03	UV	390-400nm	125	800	3.8	500	-
NOQ27S02	UV	400-410nm	125	800	3.8	500	-
NOQ27S01	UV	410-420nm	125	800	3.8	500	-

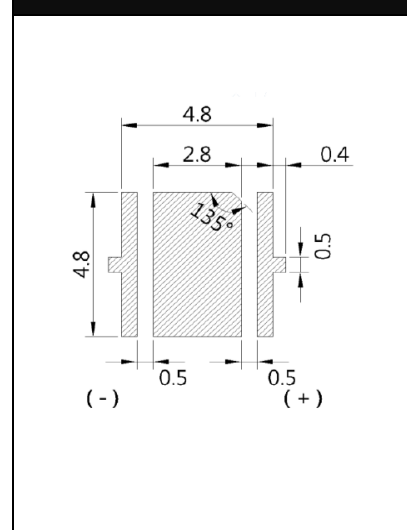
Electrical & Optical Characteristics (typ. at 1A)

Order Code	Colour	WL (nm)	$2\theta_{1/2}$ (°)	P _O (mW)	V _F (V)	I _F (mA)	Zener
NOQ27S13Z	UV	380-390nm	130	2600	4.0	1000	Yes
NOQ27S12Z	UV	390-400nm	130	2600	4.0	1000	Yes
NOQ27S11Z	UV	400-410nm	130	2600	4.0	1000	Yes
NOQ27S10Z	UV	410-420nm	130	2600	4.0	1000	Yes

Package Dimensions (mm)



Recommended Solder Pattern



Ceramic LED

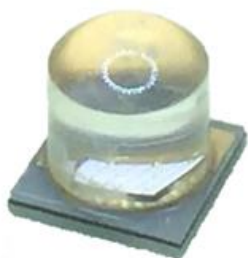
5252 60° 5.2t

385nm

405nm

395nm

415nm







Features:

- High Power LED
- High Radiant Power Output
- Top View
- Surface Mount Device
- Ceramic Substrate
- Single Die Package
- Narrow Viewing Angle
- Silicone Lens

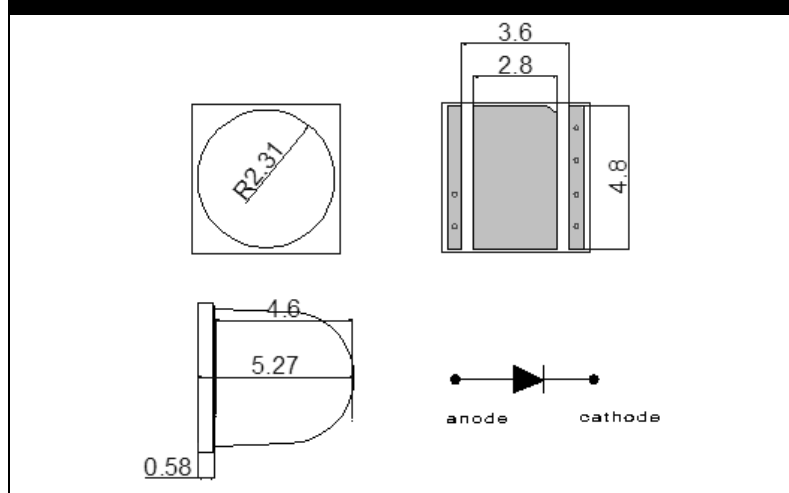
Applications:

- Counterfeit Banknote Detection
- Ink Curing

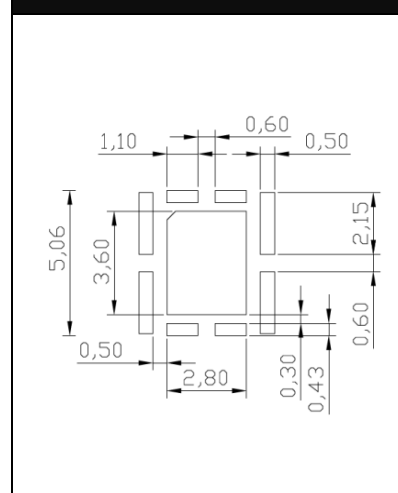
Electrical & Optical Characteristics

Order Code	Colour	WL (nm)	$2\theta_{1/2}$ (°)	P _O (mW)	V _F (V)	I _F (mA)	Zener
NOQ27S09	UV 	380-390nm	60	1300	4.0	1400	-
NOQ27S08	UV 	390-400nm	60	1300	4.0	1400	-
NOQ27S07	UV 	400-410nm	60	1300	4.0	1400	-
NOQ27S06	UV 	410-420nm	60	1300	4.0	1400	-

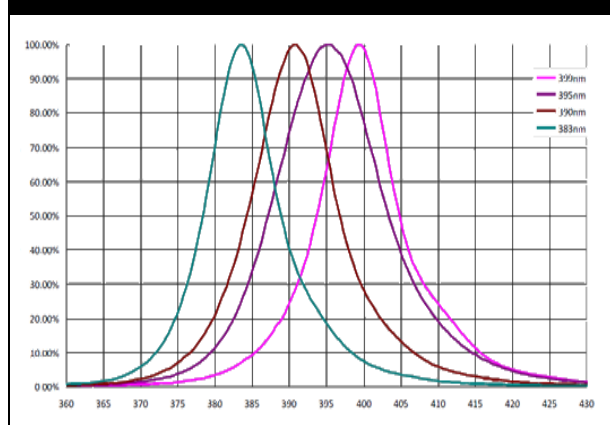
Package Dimensions (mm)



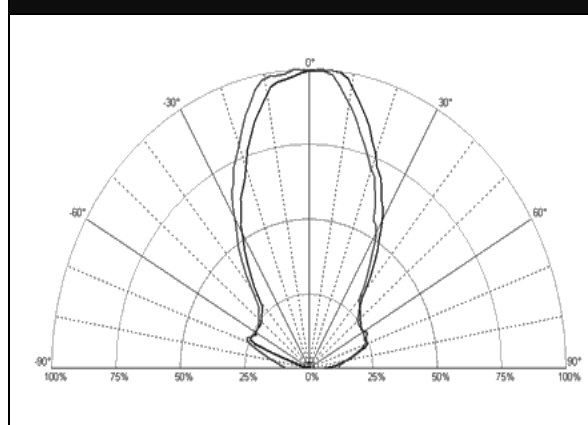
Recommended Solder Pattern



Relative Spectral Distribution



Directive Radiation



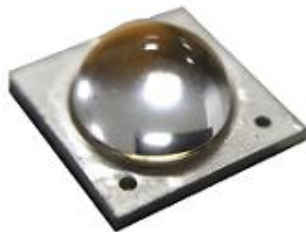
Ceramic LED

6868 Dom 3.7t

385nm

365nm

395nm



Features:

- High Power LED
- High Radiant Power Output
- Top View
- Surface Mount Device
- Ceramic Substrate
- Single or Multi-Chip Solution
- Quartz Glass Lens

Applications:

- Photocatalysis Air Purification
- Counterfeit Banknote Detection
- Ink Curing
- Resin Curing

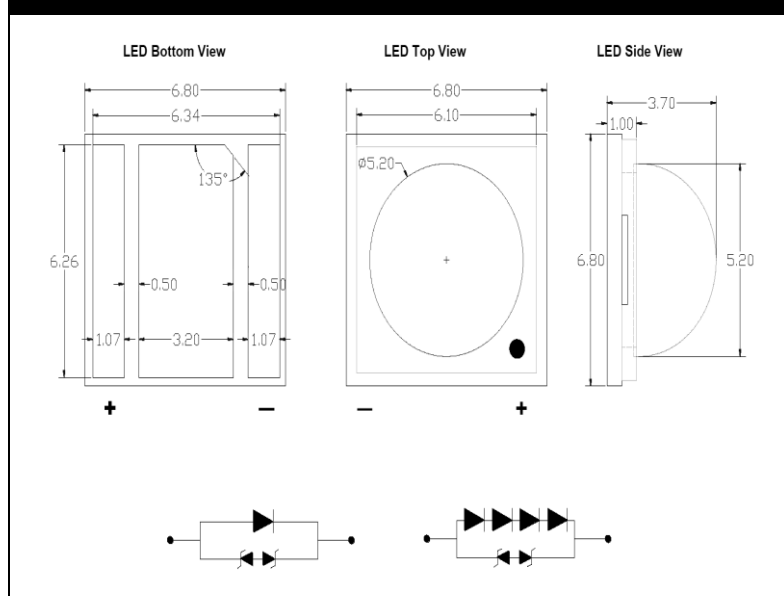
Electrical & Optical Characteristics (typ. at 3.8V / 1000mA)

Order Code	Colour	WL (nm)	$2\theta_{1/2}$ (°)	P _O (mW)	V _F (V)	I _F (mA)	Zener
NOQ18S81Z	UV	365-370nm	60	700	3.8	1000	Yes
NOQ18S83Z	UV	380-390nm	60	1600	3.8	1000	Yes
NOQ18S85Z	UV	390-400nm	60	1600	3.8	1000	Yes

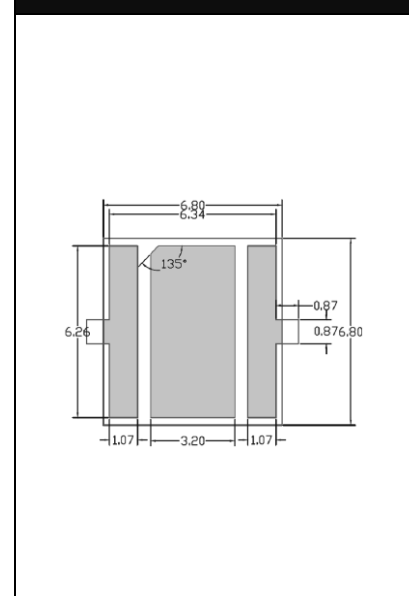
Electrical & Optical Characteristics (typ. at 15.2V / 500mA)

Order Code	Colour	WL (nm)	$2\theta_{1/2}$ (°)	P _O (mW)	V _F (V)	I _F (mA)	Zener
NOQ18S93Z	UV	365-370nm	60	1000	15.2	500	Yes
NOQ18S95Z	UV	380-390nm	60	1900	15.2	500	Yes
NOQ18S97Z	UV	390-400nm	60	1900	15.2	500	Yes

Package Dimensions (mm)



Recommended Solder Pattern



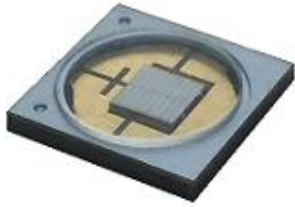
Ceramic LED

6868 Flat 1.3t

385nm

365nm

395nm





Features:

- High Power LED
- High Radiant Power Output
- Top View
- Surface Mount Device
- Ceramic Substrate
- Single or Multi-Chip Solution
- Flat Surface
- Quartz Glass Lens

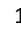
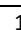
Applications:

- Photocatalysis Air Purification
- Counterfeit Banknote Detection
- Ink Curing
- Resin Curing

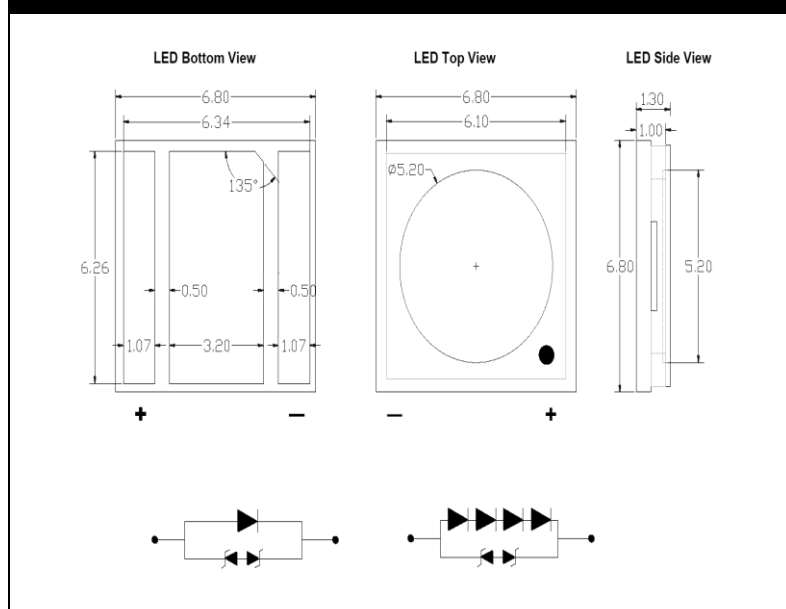
Electrical & Optical Characteristics (typ. at 3.8V / 1000mA)

Order Code	Colour	WL (nm)	$2\theta_{1/2}$ (°)	Φ_V (lm)	V_F (V)	I_F (mA)	Zener
NOQ18S82Z	UV	365-370nm	120	700	3.8	1000	Yes
NOQ18S84Z	UV 	380-390nm	120	1600	3.8	1000	Yes
NOQ18S86Z	UV 	390-400nm	120	1600	3.8	1000	Yes

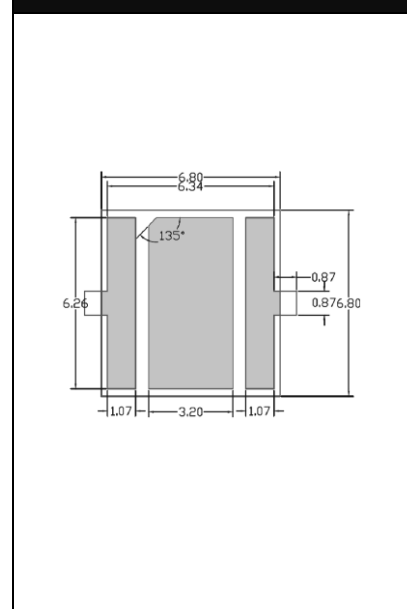
Electrical & Optical Characteristics (typ. at 15.2V / 500mA)

Order Code	Colour	WL (nm)	$2\theta_{1/2}$ (°)	Φ_V (lm)	V_F (V)	I_F (mA)	Zener
NOQ18S94Z	UV	365-370nm	120	1000	15.2	500	Yes
NOQ18S96Z	UV 	380-390nm	120	1900	15.2	500	Yes
NOQ18S98Z	UV 	390-400nm	120	1900	15.2	500	Yes

Package Dimensions (mm)



Recommended Solder Pattern

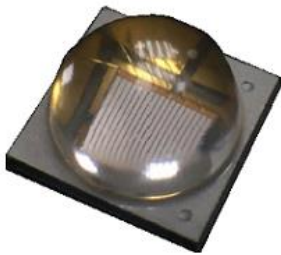


Ceramic LED with 9090 4.05t

385nm

365nm

395nm



Features:

- High Power LED
- High Radiant Power Output
- Top View
- Surface Mount Device
- Ceramic Substrate
- Single Die Package
- Quartz Glass Lens

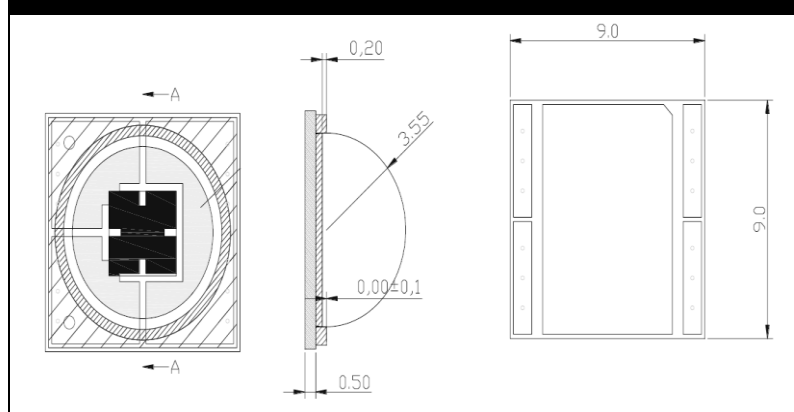
Applications:

- Photocatalysis Air Purification
- Counterfeit Banknote Detection
- Ink Curing
- Resin Curing

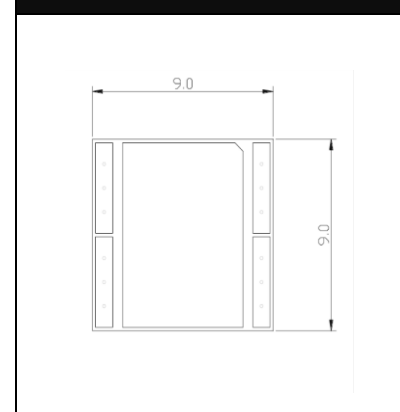
Electrical & Optical Characteristics

Order Code	Colour	WL (nm)	$2\theta_{1/2}$ (°)	Φ_V (lm)	V_F (V)	I_F (mA)	Zener
NOQ28S79	UV	365-370nm	60	3000	4.4	4000	-
NOQ28S80	UV	380-390nm	60	4500	4.4	4000	-
NOQ28S81	UV	390-400nm	60	4500	4.4	4000	-

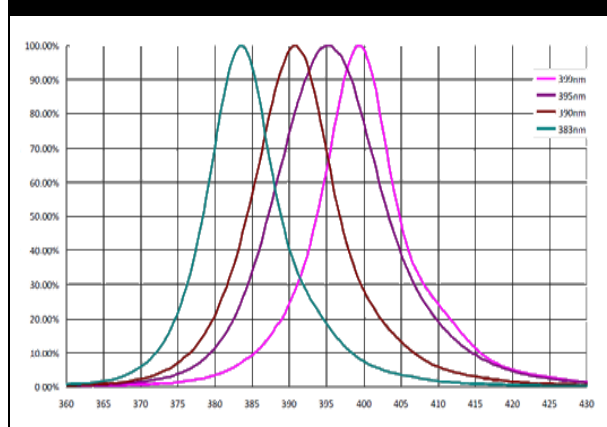
Package Dimensions (mm)



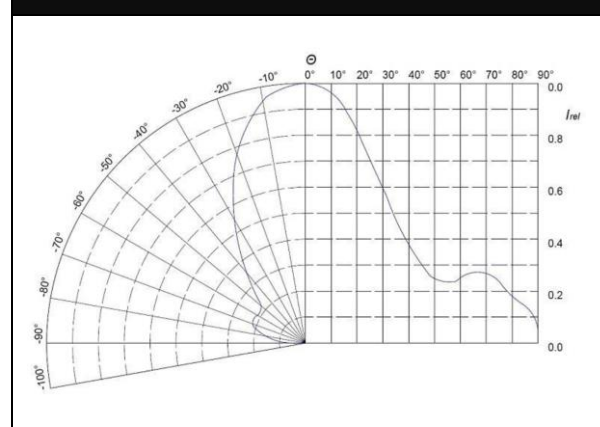
Recommended Solder Pattern



Relative Spectral Distribution



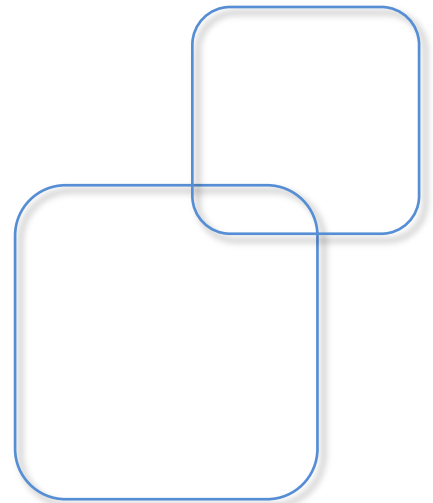
Directive Radiation



Infrared (IR)

IR LED

- 5mm Lamp	117
- 5mm SMD Lamp	118
- 2421 Lead Frame	118
- 2520 Lead Frame	118
- 0805	119
- 1206	119
- 1209	120
- 0602SV	120
- 1209RV	120
- 3020	121
- 3528	121
- 3528+Lens	121
- K1	122
- 3030	123
- 3535	124
- 3535 Black	125



PTH Lamp

3mm 5.3t / 5mm 8.6t Round

15~50°



Features:

- Low Power LED
- THT T1 and T1 ¾ Lamp
- Available in Bulk or Taping
- Hand Soldering Possible
- Narrow Viewing Angle

Applications:

- Remote Controller
- Security Device
- Night Viewer
- Surveillance
- Motion Detector

Electrical & Optical Characteristics

Order Code	Colour	WL (nm)	2θ _{1/2} (°)	I _e (mW/sr)	V _F (V)	I _F (mA)	I _{MAX} (mA)	Casting Colour
NOF01L43	Infrared	770nm	30	30	1.6	20	50	Water Clear
NOF27L76	Infrared	850nm	50	30	1.5	50	100	Water Clear
NOF37L42	Infrared	850nm	30	25	1.4	20	30	Blue Clear
NOF00L32	Infrared	850nm	30	15	1.5	20	50	Water Clear
NOF37L40	Infrared	880nm	30	5	1.3	20	30	Blue Clear
NOF00L29	Infrared	940nm	30	1.5	1.2	20	30	Blue Clear
NOF06L42	Infrared	940nm	36	10	1.2	20	30	Water Clear

Electrical & Optical Characteristics

Order Code	Colour	WL (nm)	2θ _{1/2} (°)	I _e (mW/sr)	V _F (V)	I _F (mA)	I _{MAX} (mA)	Casting Colour
NOF01L49	Infrared	710nm	17	40	1.7	20	50	Water Clear
NOF01L44	Infrared	770nm	18	55	1.6	20	50	Water Clear
NOF37L43	Infrared	850nm	16	35	1.4	20	30	Blue Clear
NOF01L14	Infrared	850nm	16	32	1.4	20	60	Water Clear
NOF23L41	Infrared	850nm	35	75	1.7	100	100	Blue Clear
NOF37L41	Infrared	880nm	16	15	1.3	20	30	Blue Clear
NOF00L33	Infrared	880nm	16	16	1.3	20	50	Water Clear
NOF03L98	Infrared	940nm	35	26	1.3	50	60	Water Clear
NOF00L30	Infrared	940nm	16	12	1.2	20	30	Blue Clear
NOF06L39	Infrared	940nm	16	14	1.2	20	30	Water Clear
NOF28L17	Infrared	850nm	20	82	2.2	50	60	Water Clear
NOF28L16	Infrared	940nm	20	45	1.5	50	70	Water Clear

Alternative Viewing Angle, Wavelength and Power:

We can customize our THT IR products to meet your requirement.

Please visit www.brighteurope.com for different shape casting, bulk or tape packing, leg bending or cutting, power and radiant level, wavelength, viewing angle, and different casting colours.

SMD Lamp

5mm Round 5.4t

30°



Features:

- Low Power LED
- Top View
- Small Viewing Angle
- Water Clear / Diffused Lens
- Suitable for SMD

Applications:

- Remote Controller
- Security Device
- Night Viewer
- Surveillance
- Motion Detector

Electrical & Optical Characteristics

Order Code	Colour	WL (nm)	2 $\theta_{1/2}$ (°)	I _e (mW/sr)	V _F (V)	I _F (mA)	I _{MAX} (mA)	Casting Colour
NOF28S30	Infrared	940nm	30	5.5	1.3	20	50	Water Clear

Lead Frame

2421 Type A

20°



Features:

- Top View
- Low Power LED
- Small Viewing Angle
- Suitable for SMD
- Subminiature LED

Applications:

- Remote Controller
- Security Device
- Night Viewer
- Surveillance
- Motion Detector

Electrical & Optical Characteristics

Order Code	Colour	WL (nm)	2 $\theta_{1/2}$ (°)	I _e (mW/sr)	V _F (V)	I _F (mA)	I _{MAX} (mA)	Casting Colour
NOF28S60	Infrared	940nm	20	2.9	1.2	20	50	Water Clear

2520 Type A

20°



Features:

- Top View
- Low Power LED
- Small Viewing Angle
- Suitable for SMD
- Subminiature LED

Applications:

- Remote Controller
- Security Device
- Night Viewer
- Surveillance
- Motion Detector

Electrical & Optical Characteristics

Order Code	Colour	WL (nm)	2 $\theta_{1/2}$ (°)	I _e (mW/sr)	V _F (V)	I _F (mA)	I _{MAX} (mA)	Casting Colour
NOF31S51	Infrared	880nm	20	2.0	1.4	20	50	Water Clear
NOF31S79	Infrared	880nm	20	8.0	1.4	20	50	Water Clear

PCB / CHIP LED

0805 (2012)

140°



Features:

- Low Power LED
- Top View
- Compatible Package

Applications:

- Remote Controller
- Security Device
- Night Viewer
- Surveillance
- Motion Detector

Electrical & Optical Characteristics

Order Code	Colour	WL (nm)	$2\theta_{1/2}$ (°)	I_e (mW/sr)	V_F (V)	I_F (mA)	I_{MAX} (mA)	Casting Colour
NOF31S86	Infrared	850nm	140	0.7	1.4	20	50	Water Clear

1206 (3015)

40°



Features:

- Low Power LED
- Top View
- Narrow Viewing Angle
- Compatible Package

Applications:

- Remote Controller
- Security Device
- Night Viewer
- Surveillance
- Motion Detector

Electrical & Optical Characteristics

Order Code	Colour	WL (nm)	$2\theta_{1/2}$ (°)	I_e (mW/sr)	V_F (V)	I_F (mA)	I_{MAX} (mA)	Casting Colour
NOF14S21	Infrared	850nm	40	1.5	1.4	20	30	Water Clear

1206 (3216) 0.8t

140°



Features:

- Low Power LED
- Top View
- Compatible Package

Applications:

- Remote Controller
- Security Device
- Night Viewer
- Surveillance
- Motion Detector

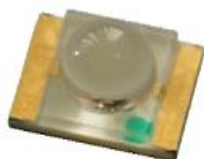
Electrical & Optical Characteristics

Order Code	Colour	WL (nm)	$2\theta_{1/2}$ (°)	I_e (mW/sr)	V_F (V)	I_F (mA)	I_{MAX} (mA)	Casting Colour
NOF11S13	Infrared	850	140	0.8	1.4	20	50	Water Clear
NOF11S11	Infrared	880	140	0.95	1.4	20	50	Water Clear
NOF11S12	Infrared	940	140	0.55	1.2	20	50	Water Clear

PCB / CHIP LED

1209 (3224)

15°



Features:

- Low Power LED
- Top View
- Compatible Package

Applications:

- Remote Controller
- Security Device
- Night Viewer
- Surveillance
- Motion Detector

Electrical & Optical Characteristics

Order Code	Colour	WL (nm)	2θ _{1/2} (°)	I _e (mW/sr)	V _F (V)	I _F (mA)	I _{MAX} (mA)	Casting Colour
NOF10S59	Infrared	850	15	15	1.5	100	100	Water Clear
NOF10S58	Infrared	940	15	3.1	1.3	20	50	Water Clear

Side View: 0602SV (1606) 1.2t

140°



Features:

- Side View
- Low Power LED
- Compatible Package

Applications:

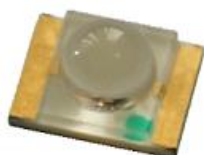
- Remote Controller
- Security Device
- Night Viewer
- Surveillance
- Motion Detector

Electrical & Optical Characteristics

Order Code	Colour	WL (nm)	2θ _{1/2} (°)	I _e (mW/sr)	V _F (V)	I _F (mA)	I _{MAX} (mA)	Casting Colour
NOF28S37SV	Infrared	940	140	0.55	1.2	20	50	Water Clear

Reverse Mount: 1209RV (3224)

15°



Features:

- Reverse Mount
- Low Power LED
- Top View
- Narrow Viewing Angle

Applications:

- Remote Controller
- Security Device
- Night Viewer
- Surveillance
- Motion Detector

Electrical & Optical Characteristics

Order Code	Colour	WL (nm)	2θ _{1/2} (°)	I _e (mW/sr)	V _F (V)	I _F (mA)	I _{MAX} (mA)	Casting Colour
NOF10S59RV	Infrared	850	15	15	1.5	100	100	Water Clear
NOF10S58RV	Infrared	940	15	3.1	1.3	20	50	Water Clear

PLCC2 LED

3020 1.3t

120°



Features:

- Lower Power LED
- Top View
- Compatible Package
- Large Emitting Area

Applications:

- Remote Controller
- Security Device
- Night Viewer
- Surveillance
- Motion Detector

Electrical & Optical Characteristics

Order Code	Colour	WL (nm)	$2\theta_{1/2}$ (°)	I_e (mW/sr)	V_F (V)	I_F (mA)	I_{MAX} (mA)	Casting Colour
NOF32S13	Infrared	850	120	1.1	1.4	20	50	Water Clear

3528 1.9t

120°



Features:

- Lower Power LED
- Top View
- Compatible Package
- Large Emitting Area

Applications:

- Remote Controller
- Security Device
- Night Viewer
- Surveillance
- Motion Detector

Electrical & Optical Characteristics

Order Code	Colour	WL (nm)	$2\theta_{1/2}$ (°)	I_e (mW/sr)	V_F (V)	I_F (mA)	I_{MAX} (mA)	Casting Colour
NOF18S15	Infrared	840	120	5	1.4	50	100	Water Clear
NOF19S15	Infrared	930	120	1.7	1.2	20	100	Water Clear

PLCC4 LED

3528+Lens

30°



Features:

- Top View
- Narrow Viewing Angle
- Epoxy Lens
- Compatible Package

Applications:

- Remote Controller
- Security Device
- Night Viewer
- Surveillance
- Motion Detector

Electrical & Optical Characteristics

Order Code	Colour	WL (nm)	$2\theta_{1/2}$ (°)	I_e (mW/sr)	V_F (V)	I_F (mA)	I_{MAX} (mA)	Casting Colour
NOF12S43	Infrared	850	30	16	1.5	100	1000	Water Clear
NOF17S66	Infrared	850	30	30	1.7	100	100	Water Clear

PLCC2 LED

K1 5.1t 1W

130°



Features:

- High Power LED
- Top View
- EMC Package
- Wide Viewing Angle
- Hump Output Shape

Applications:

- Remote Controller
- Security Device
- Night Viewer
- Surveillance
- Motion Detector

Electrical & Optical Characteristics

Order Code	Colour	WL (nm)	2θ _{1/2} (°)	P _o (mW)	V _F (V)	I _F (mA)	I _{MAX} (mA)	Casting Colour
N0F06S23	Infrared	850	130	205	1.8	350	1000	Water Clear

K1 Hump 5.3t 0.5~1W

160°



Features:

- Mid / High Power LED
- Top View
- EMC Package
- Wide Viewing Angle
- Hump Output Shape

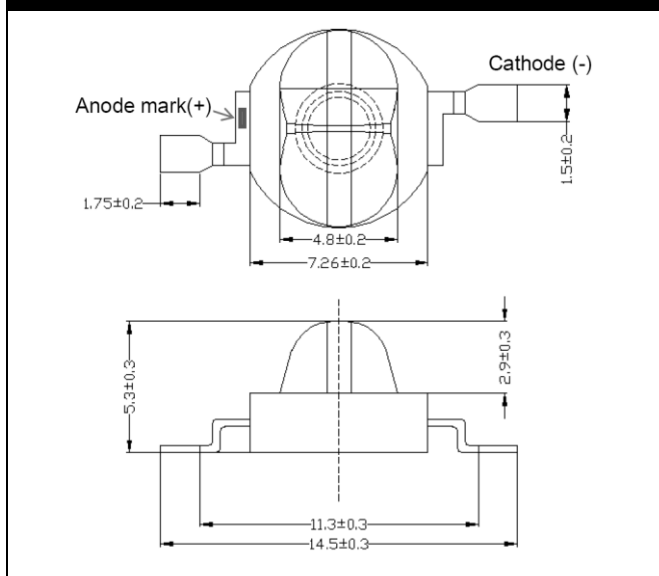
Applications:

- Remote Controller
- Security Device
- Night Viewer
- Surveillance
- Motion Detector

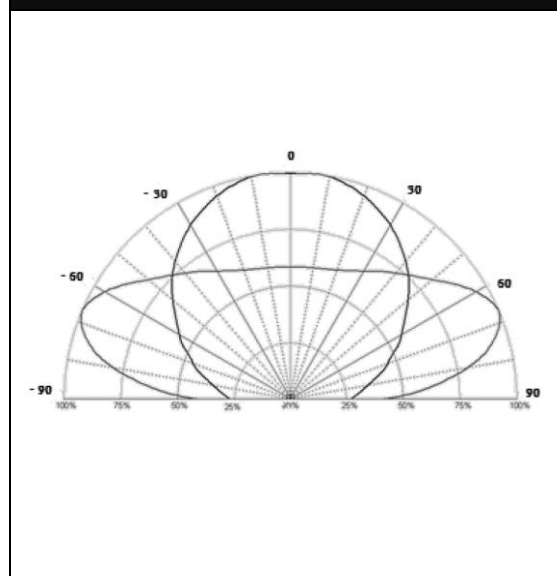
Electrical & Optical Characteristics

Order Code	Colour	WL (nm)	2θ _{1/2} (°)	P _o (mW)	V _F (V)	I _F (mA)	I _{MAX} (mA)	Casting Colour
N0F19S09	Infrared	850	160	290	1.8	350	500	Water Clear
N0F23S31	Infrared	850	160	130	1.8	200	210	Water Clear

Package Dimensions (mm)



Directive Radiation



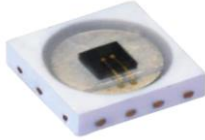
SMC LED

3030 0.5~2W

90°

30°

120°



Features:

- Mid / High Power LED
- Top View
- EMC Package

Applications:

- Remote Controller
- Security Device
- Night Viewer
- Surveillance
- Motion Detector

Electrical & Optical Characteristics

Order Code	Colour	WL (nm)	$2\theta_{1/2}$ (°)	P_o (mW)	V_F (V)	I_F (mA)	I_{MAX} (mA)	Casting Colour
N0F25S43	Infrared	850	120	195	1.8	250	320	Water Clear
N0F26S74	Infrared	850	120	260	1.8	350	1000	Water Clear



Features:

- Mid / High Power LED
- Top View
- EMC Package
- Narrow Viewing Angle

Applications:

- Remote Controller
- Security Device
- Night Viewer
- Surveillance
- Motion Detector

Electrical & Optical Characteristics

Order Code	Colour	WL (nm)	$2\theta_{1/2}$ (°)	P_o (mW)	V_F (V)	I_F (mA)	I_{MAX} (mA)	Casting Colour
N0F25S44	Infrared	850	90	195	1.8	250	320	Water Clear
N0F26S75	Infrared	850	90	260	1.8	350	1000	Water Clear



Features:

- Mid / High Power LED
- Top View
- EMC Package
- Narrow Viewing Angle

Applications:

- Remote Controller
- Security Device
- Night Viewer
- Surveillance
- Motion Detector

Electrical & Optical Characteristics

Order Code	Colour	WL (nm)	$2\theta_{1/2}$ (°)	P_o (mW)	V_F (V)	I_F (mA)	I_{MAX} (mA)	Casting Colour
N0F25S45	Infrared	850	30	195	1.8	250	320	Water Clear
N0F26S76	Infrared	850	30	260	1.8	350	1000	Water Clear

Ceramic LED

3535 1~3W

60°

120°



Features:

- High Power LED
- Top View
- Ceramic Package
- High Efficiency
- High Output
- Compatible Package

Applications:

- Remote Controller
- Security Device
- Night Viewer
- Surveillance
- Motion Detector

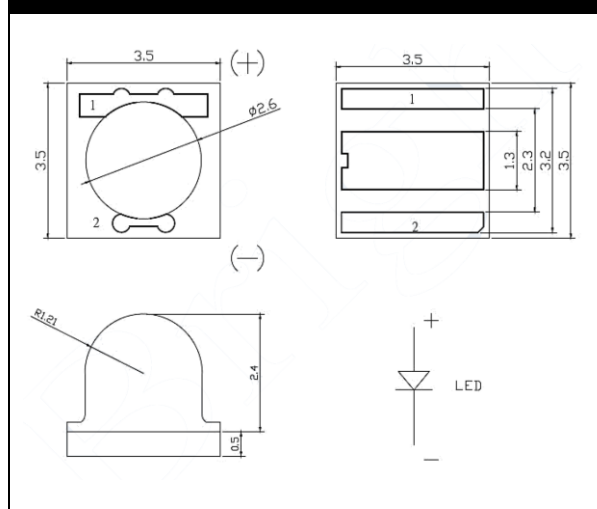
60° Electrical & Optical Characteristics

Order Code	Colour	WL (nm)	2θ _{1/2} (°)	P _O (mW)	V _F (V)	I _F (mA)	I _{MAX} (mA)	Casting Colour
NOF10S09	Infrared	850	60	300	1.6	350	1400	Water Clear
				907	2.0	1400		
NOF16S72	Infrared	850	60	275	1.6	350	1000	Water Clear
				715	2.0	1000		
NOF16S74	Infrared	850	60	250	1.6	350	600	Water Clear
				425	1.8	600		

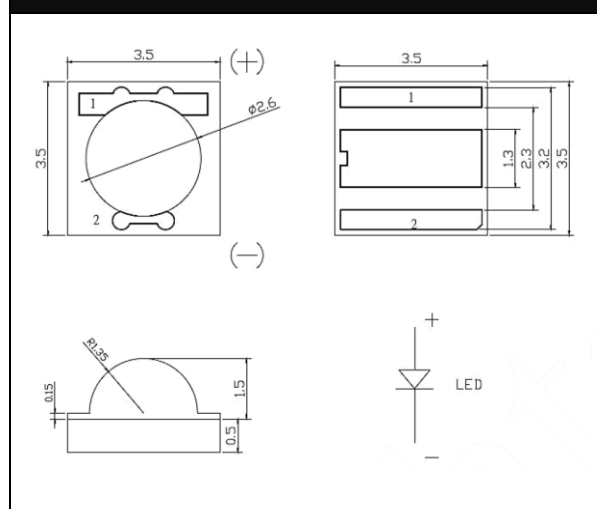
120° Electrical & Optical Characteristics

Order Code	Colour	WL (nm)	2θ _{1/2} (°)	P _O (mW)	V _F (V)	I _F (mA)	I _{MAX} (mA)	Casting Colour
NOF29S35	Infrared	735	120	250	2.1	350	700	Water Clear
NOF10S11	Infrared	850	120	300	1.6	350	1400	Water Clear
				907	2.0	1400		
NOF16S71	Infrared	850	120	275	1.6	350	1000	Water Clear
				715	2.0	1000		
NOF16S73	Infrared	850	120	250	1.6	350	600	Water Clear
				425	1.8	600		
NOF14S89	Infrared	940	120	260	1.6	350	700	Water Clear

60° Package Dimensions (mm)



120° Package Dimensions (mm)

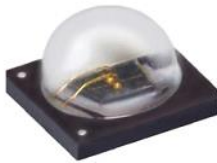


Ceramic LED

3535 Black 2~3W

90°

120°



Features:

- High Power LED
- Top View
- Ceramic Package
- High Output
- Compatible Package

Applications:

- Remote Controller
- Security Device
- Night Viewer
- Surveillance
- Motion Detector

90° Electrical & Optical Characteristics

Order Code	Colour	WL (nm)	2θ _{1/2} (°)	P _o (mW)	V _F (V)	I _F (mA)	I _{MAX} (mA)	Casting Colour
NOF28S86BF	Infrared	850	90	850	2.1	1000	1500	Water Clear
NOF31S45BF	Infrared	850	90	780	2.1	1000	1000	Water Clear
NOF31S43BF	Infrared	850	90	660	2.2	1000	1000	Water Clear

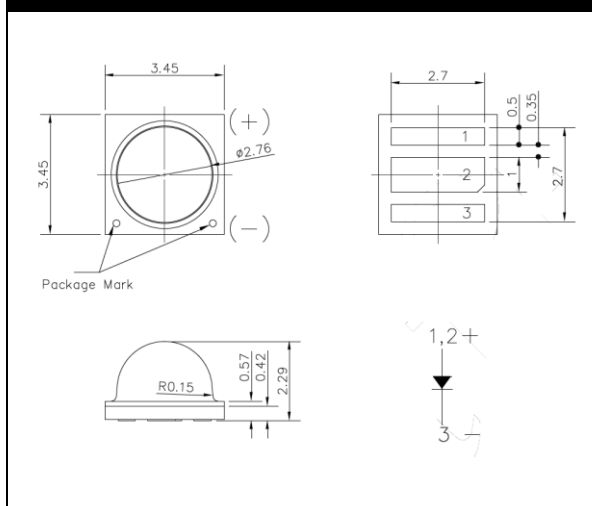
120° Electrical & Optical Characteristics

Order Code	Colour	WL (nm)	2θ _{1/2} (°)	P _o (mW)	V _F (V)	I _F (mA)	I _{MAX} (mA)	Casting Colour
NOF28S87BF	Infrared	850	120	850	2.1	1000	1500	Water Clear
NOF31S44BF	Infrared	850	120	780	2.1	1000	1000	Water Clear

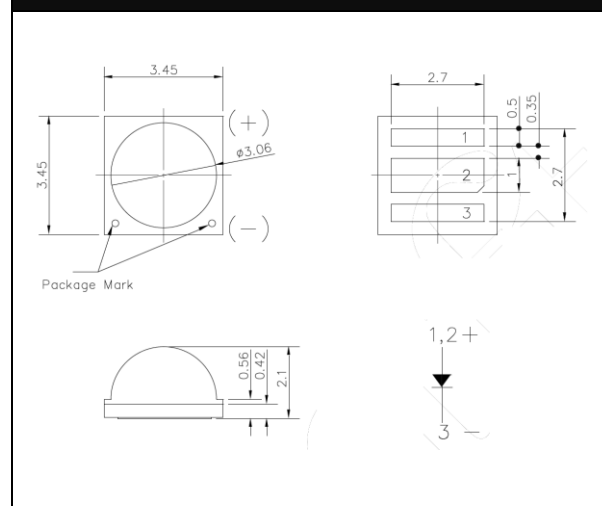
90° Electrical & Optical Characteristics (Duo Junction)

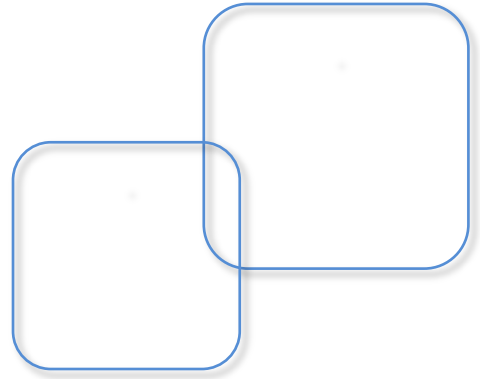
Order Code	Colour	WL (nm)	2θ _{1/2} (°)	P _o (mW)	V _F (V)	I _F (mA)	I _{MAX} (mA)	Casting Colour
NOF28S85BF	Infrared	850	90	1250	3.4	1000	1000	Water Clear

90° Package Dimensions (mm)

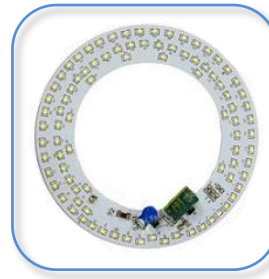
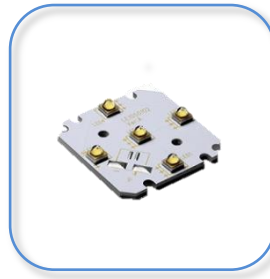
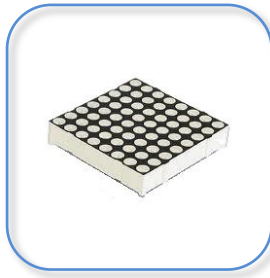
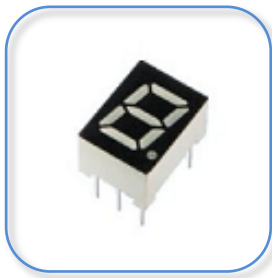


120° Package Dimensions (mm)





More lines are available on our website...



Visit www.brighteurope.com now!





BRIGHTTEK

BRIGHTTEK (EUROPE) LIMITED

Brighttek (Europe) Limited
76 Discovery Dock West
2 South Quay Square
London E14 9RT United Kingdom
Tel: +44 20 8776 3507
Email: sales@brighttekeurope.com

www.brighttekeurope.com

Our products are distributed by:

www.brighttekeurope.com/distributor/