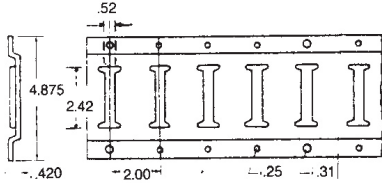


960-005



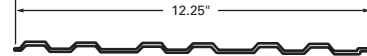
FLEET NUMBER: 960-005
REPLACEMENT FOR: LOGISTIC-E TRACK X 10FT
REPLACEMENT FOR:

960-100



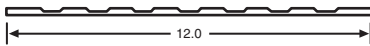
FLEET NUMBER: 960-100
REPLACEMENT FOR: ALUMINUM SCUFF - USE 960-101
REPLACEMENT FOR:

960-101



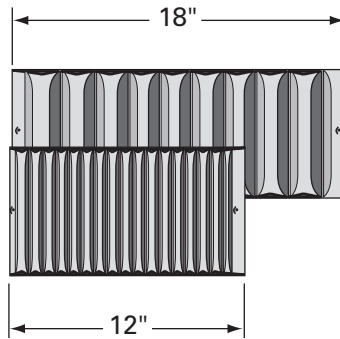
FLEET NUMBER: 960-101
REPLACEMENT FOR: ALUMINUM SCUFF - 12 1/4 X 52 FT
REPLACEMENT FOR:

960-105



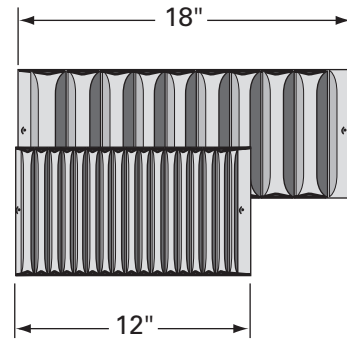
FLEET NUMBER: 960-105
REPLACEMENT FOR: ALUMINUM SCUFF - X 47'
REPLACEMENT FOR:

960-205



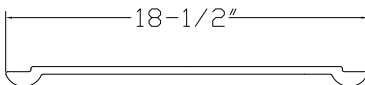
FLEET NUMBER: 960-205
REPLACEMENT FOR: STEEL SCUFF - 12" X 47' USE 960-205-001
REPLACEMENT FOR:

960-205-001



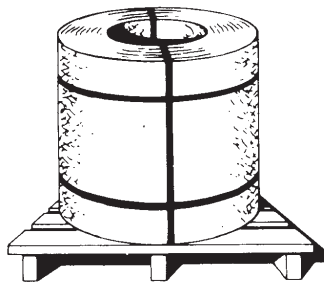
FLEET NUMBER: 960-205-001
REPLACEMENT FOR: STEEL SCUFF - 12" X 52'
REPLACEMENT FOR:

960-300



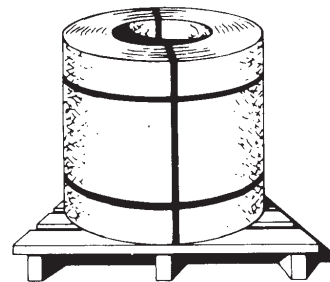
FLEET NUMBER: 960-300
REPLACEMENT FOR: HYUNDAI INNER LINER PANEL , 18.38" WIDE
REPLACEMENT FOR:

960-500



FLEET NUMBER: 960-500
REPLACEMENT FOR: FIBERGLASS 4' X 52'
REPLACEMENT FOR:

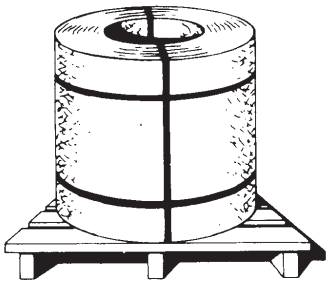
960-505



FLEET NUMBER: 960-505
REPLACEMENT FOR: FIBERGLASS 2' X 52' EACH
REPLACEMENT FOR:

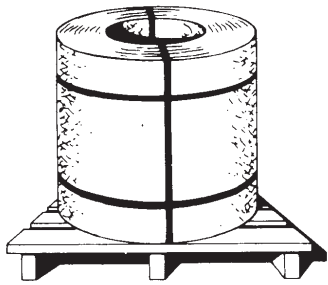
LINERS INTERIOR

960-510



FLEET NUMBER: 960-510
REPLACEMENT FOR: FIBERGLASS 16" X 52' EACH
REPLACEMENT FOR:

960-512



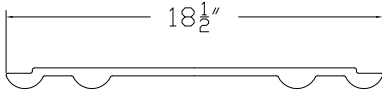
FLEET NUMBER: 960-512
REPLACEMENT FOR: FIBERGLASS .090' X 102' X 52' EACH
REPLACEMENT FOR:

960-515

FIBERGLASS SHEET
SEE DESCRIPTION

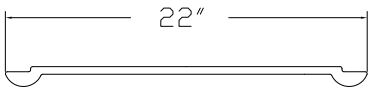
FLEET NUMBER: 960-515
REPLACEMENT FOR: FIBERGLASS SHEET .090 X 4' X 8' EACH
REPLACEMENT FOR:

960-558



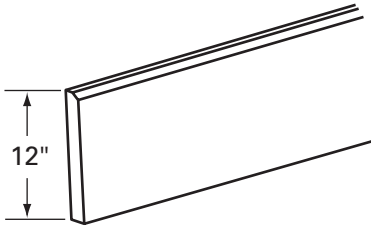
FLEET NUMBER: 960-558
REPLACEMENT FOR: STRICK INNER LINER PANEL 18.25" WIDE
REPLACEMENT FOR:

960-559



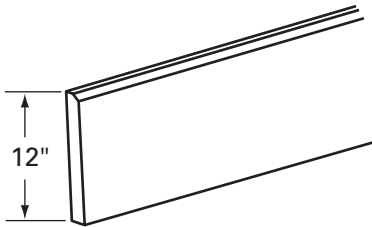
FLEET NUMBER: 960-559
REPLACEMENT FOR: STRICK INNER LINER PANEL 21.75" WIDE
REPLACEMENT FOR:

960-600



FLEET NUMBER: 960-600
REPLACEMENT FOR: BLACK POLY-SCUFF 12" X 53'
REPLACEMENT FOR:

960-600-001



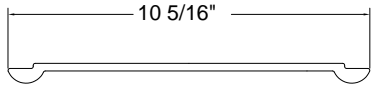
FLEET NUMBER: 960-600-001
REPLACEMENT FOR: BLACK POLY SCUFF 12" X 53' FLAT
REPLACEMENT FOR:

960-700

PLYWOOD
SEE DESCRIPTION

FLEET NUMBER: 960-700
REPLACEMENT FOR: PLYWOOD LAUAN 4' X 8' X 5.2 EACH
REPLACEMENT FOR:

960-705

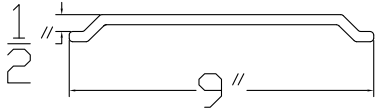


FLEET NUMBER: 960-705
REPLACEMENT FOR: T/M INNER LINER PANEL 10.31" WIDE
REPLACEMENT FOR: 90-4-2495-0-108

CALL TOLL FREE!
OR VISIT: www.fleetwarehouse.com

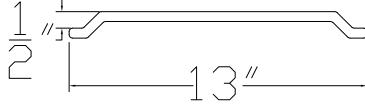
800-523-6668 – Nationwide
FAX #: 215-443-8491
Email: info@fleetwarehouse.com

960-807-009



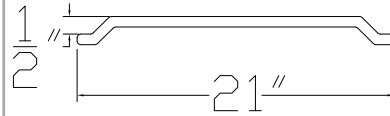
FLEET NUMBER: 960-807-009
REPLACEMENT FOR: UTILITY INNER LINER PANEL
PPW, 9" WIDE
REPLACEMENT FOR: 3-6009-007

960-807-013



FLEET NUMBER: 960-807-013
REPLACEMENT FOR: UTILITY INNER LINER PANEL
PPW, 13" WIDE
REPLACEMENT FOR: 3-6009-009

960-807-021



FLEET NUMBER: 960-807-021
REPLACEMENT FOR: UTILITY INNER LINER PANEL
PPW, 21" WIDE
REPLACEMENT FOR: 3-6009-008

LINERS INTERIOR