

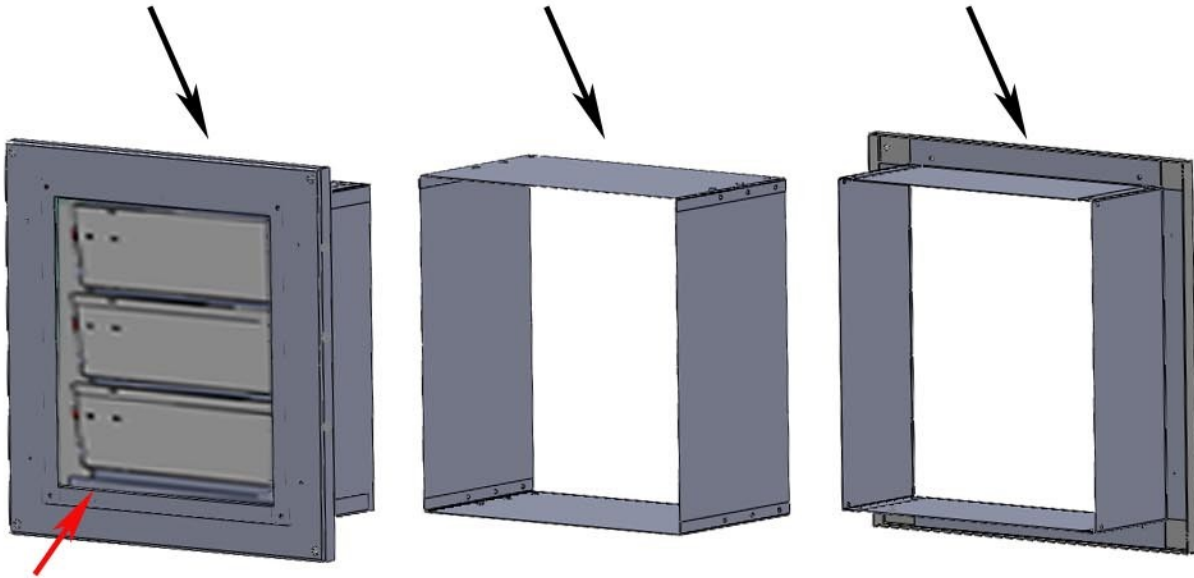
SHX UN/RSH UN Installation Guide.

1. SHX UN/RSH UN Components.

A. SHX UN/RSH UN Vent.

C. Wall Liner Extension

B. Wall Liner



E. Vent Orientation Label.

1. Room/Vent Orientation.

Part A. SHX UN/RSH UN vent must be fitted from inside the gas protected area for correct venting to be achieved. (for inert gas applications)

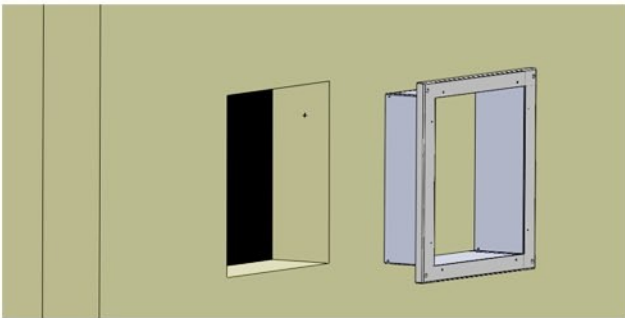
Subsequently in a wall of more than 4in or 100mm B. Wall Liner should be fitted from outside the gas protected area.

Failure to do this correctly will result in incorrect venting. Label E. must be visible from inside the gas protected area.



SHX UN/RSH UN Installation Guide.

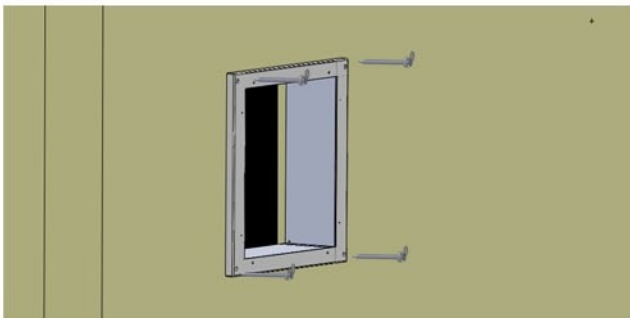
2. Fitting the Wall Liner.



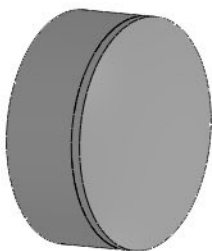
Insert the wall liner into the hole in the wall. Make sure there is a secure enough fixing point behind each screw point.



Insert 2.5in/63mm fixing screw into plastic hinged cover cap.



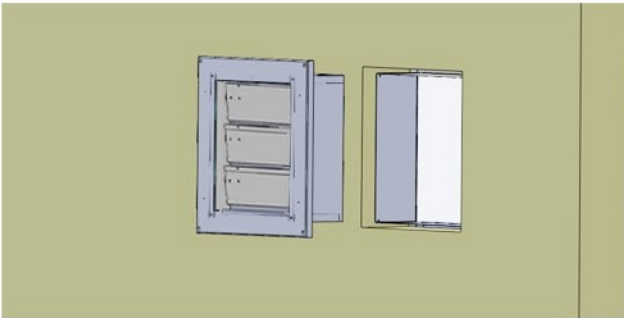
Fix wall liner onto wall with screws.



Snap closed lids on Cover Caps

SHX UN/RSH UN Installation Guide.

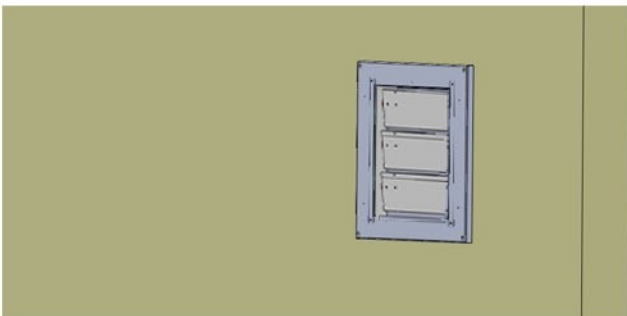
3. Fitting the SHX UN/RSH UN Vent.



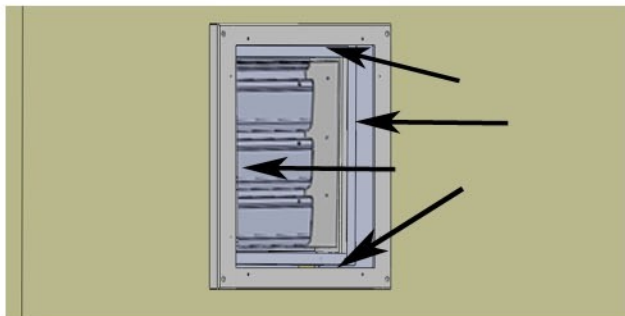
Insert Vent into the hole in the wall. Make sure there is a secure enough fixing point behind each screw point.



Insert 2.5in/63mm fixing screws into plastic hinged cover cap. (If you intend to use an egg crate cover grille then install the vent with out the plastic hinged cover caps).



Secure into wall with screws and snap on screw caps..



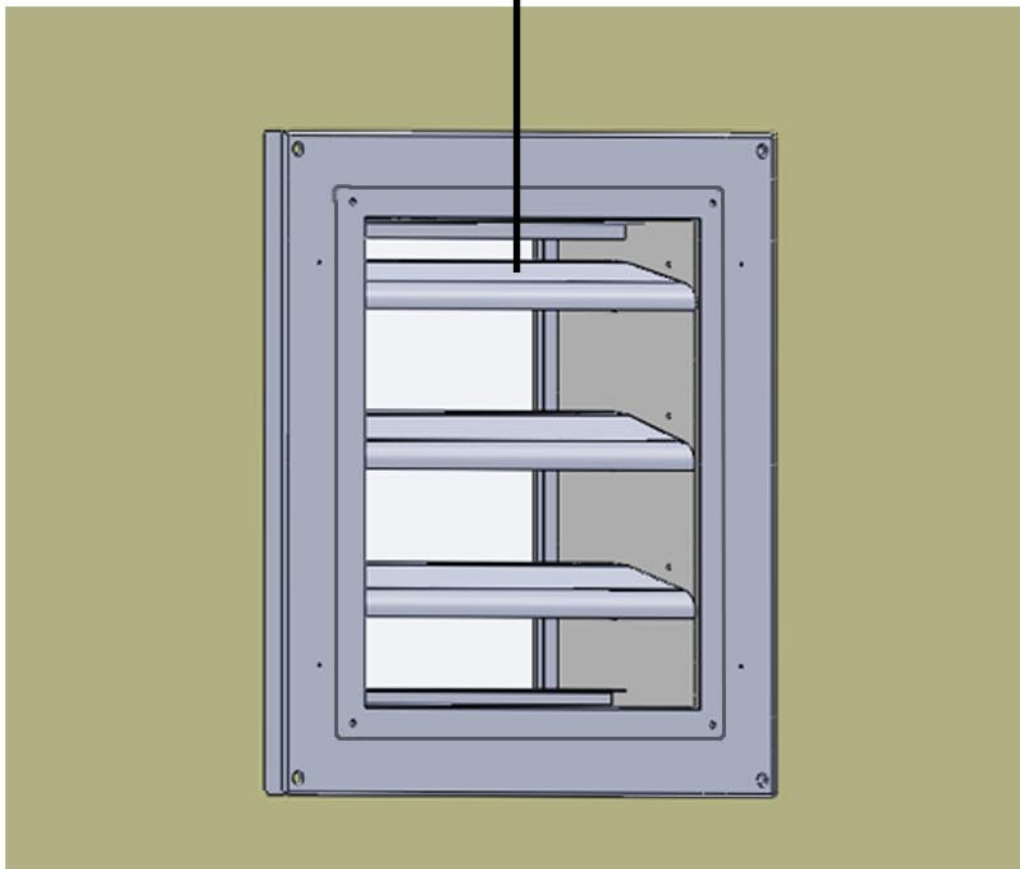
From Wall Liner Side run a bead of intumescent mastic around the gap where the vent and wall liner meet.

SHX UN/RSH UN Installation Guide.

4. TESTING VENT OPERATION..

Lift each blade until it hits its top stop and allow to drop. Each blade should close fully on its own.

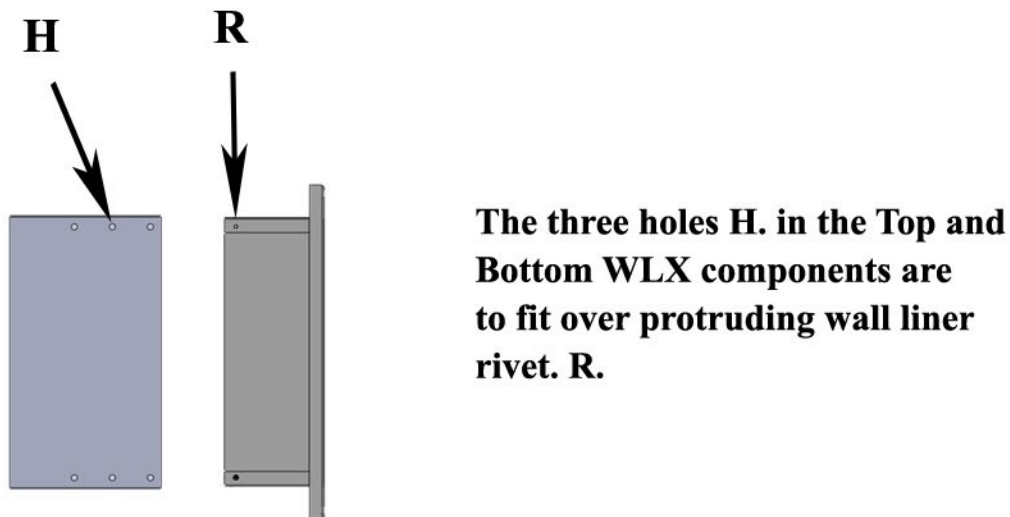
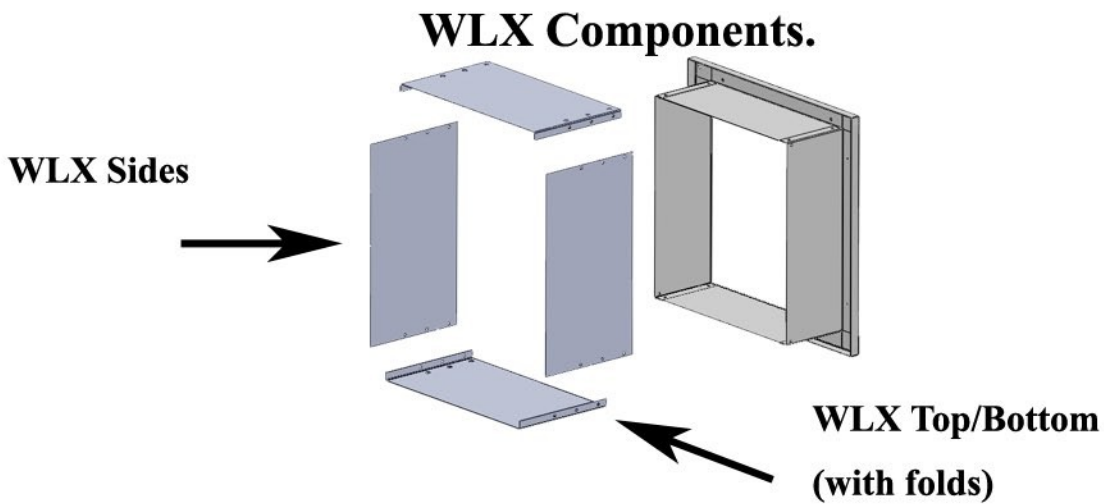
Lift from this point on each blade.



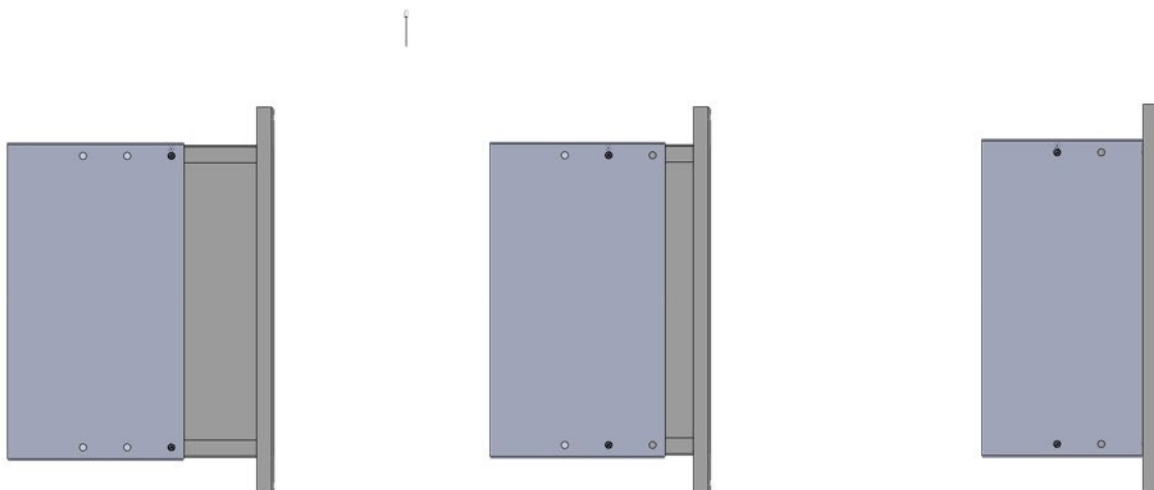
SHX UN/RSH UN Installation Guide.

5. Fitting a wall liner extension

For walls of more than 8 in/200mm thick the WLX must be used. Note for walls exceeding 13in/350mm the wall will have to be previously lined.

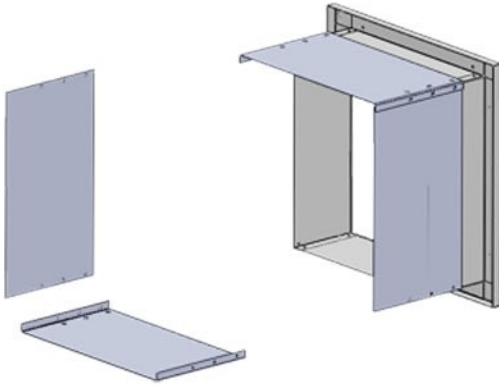


There are 3 size configurations. Choose the one where the WLX does not protrude out of the wall but will overlap the SHX UN/RDU UN pressure vent.

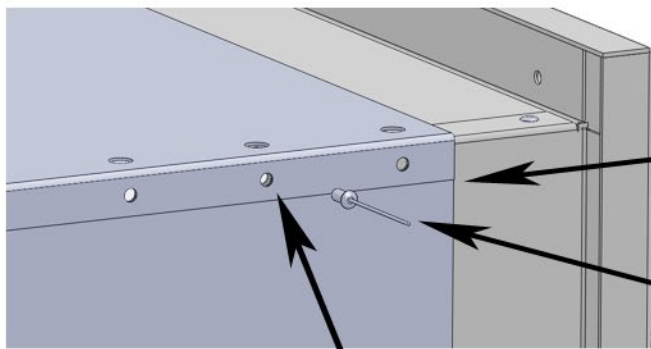


SHX UN/RSH UN Installation Guide.

6. Fitting a wall liner extension



Place one side and one top/bottom WLX component onto the wall liner at selected configuration.

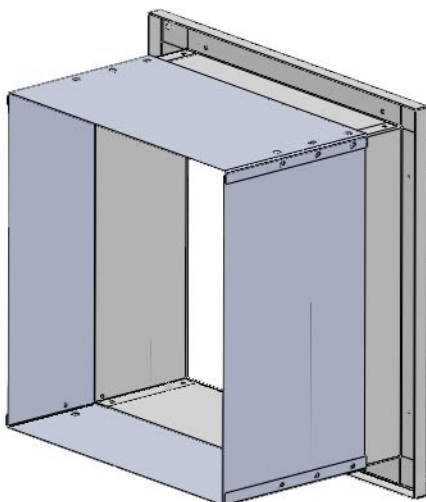


Make sure the side is underneath the fold of the top/bottom fold.

Rivet

Fixing Hole

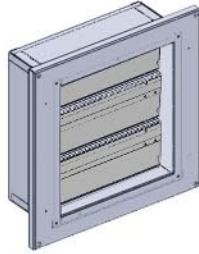
Using rivet provided fix into place. You might need to run an 11/64 or 4.5mm drill to clear the hole.



Proceed to repeat at each corner until the WLX is secure all round.

SHX UN/RSH UN Installation Guide.

7. Fitting an SHX UN /RDU UN vent into a door or thin wall.

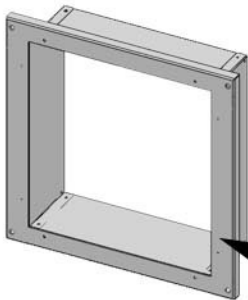


For installation into thin wall or doors insert the pressure vent into the hole as usual making sure that it is installed from inside the gas protected area.

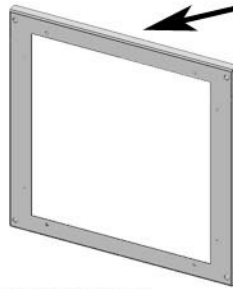


Screw into place with fixing screws.

Screw into place.

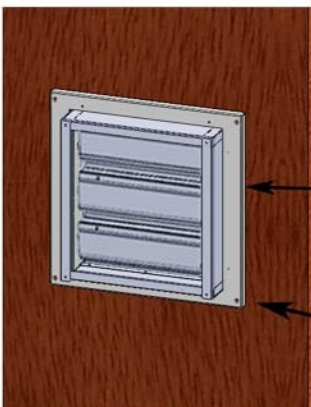


Retaining screws



Wall Liner Frame

**Drill out the rivets that hold the Frame to the wall liner.
Remove wall liner frame and insert new rivets to cover holes.**



Place the wall liner frame over the back of the pressure vent and screw into place.

Screw into place at corners.