

Mobile crane

LTM 1050-3.1

Max. lifting capacity: 50 t

Max. lifting height: 54 m

Max. working radius: 44 m



LIEBHERR

Mobile crane LTM 1050-3.1

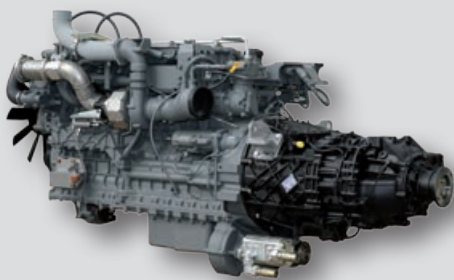
Innovative and economical



The Liebherr LTM 1050-3.1 mobile crane is characterised by its long telescopic boom, strong lifting capacities, exceptional mobility and comprehensive comfort and safety equipment. This 50-tonne crane features top-of-the-range technology for more effectiveness in practical operation.

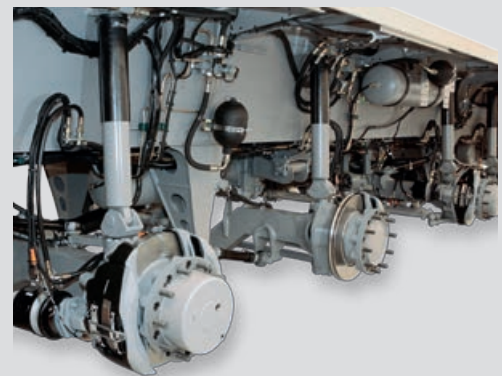
- **38-m telescopic boom**
- **16-m double folding fly jib with integrated assembly jib**
- **36 tonne overall weight, incl. 7 tonne counterweight at 12 tonne axle load**
- **Vehicle width: 2.55 m with 445/95 R 25 (16.00 R 25) tyres**
- **Great flexibility of use due to optimum lifting capacities with full and partial counterweight**
- **Active, speed-dependent rear-axle steering**
- **Pneumatic disc brakes**
- **Sensitive working due to electronic crane control**





Drive train

- Six-cylinder Liebherr turbo-diesel engine, 270 kW/367 hp, max. torque 1720 Nm
- Automated ZF AS-TRONIC gearbox, 12 forward and 2 reverse speeds
- 2-stage transfer case, 0.73 km/h crawling speed
- Axles two and three driven, axle one as option



State-of-the-art chassis and drive technology



High mobility and cost effectiveness

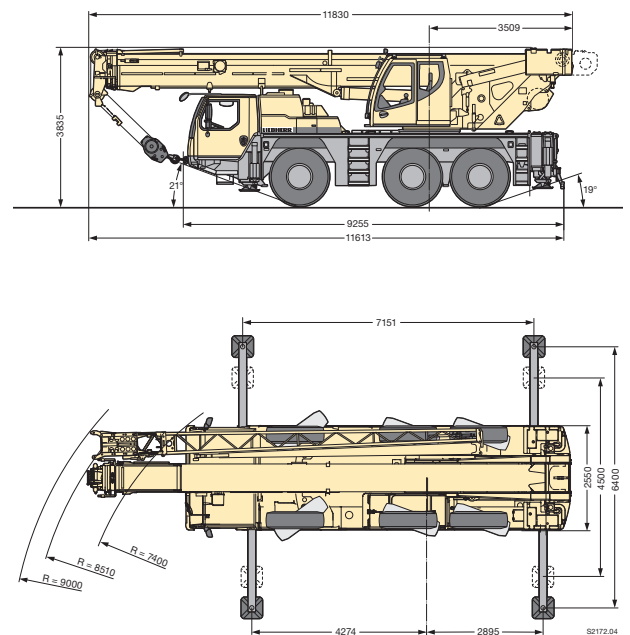
A powerful six-cylinder Liebherr turbo-diesel engine with 270 kW/367 hp ensures swift driving performance. The 12-speed ZF gearbox with automated AS-TRONIC control system provides a high level of cost effectiveness and excellent comfort.

- Reduced fuel consumption due to the large number of gears and the high efficiency of the dry clutch
- Excellent manoeuvrability and minimum crawling speed due to two-stage transfer case
- ABV automatic blocking prevention with ASR slippage control
- Telma eddy current brake optional, wear free and comfortable

Compact, agile and weight-optimised

Thanks to its extremely compact design, the LTM 1050-3.1 can operate on the smallest of construction sites. At an axle load of 12 t, it can drive with up to 7 t of counterweight, making it flexible and economical to use.

- Chassis length only 9.26 m
- Smallest turning radius only 7.40 m
- Vehicle width only 2.55 m, even with 445/95 R 25 (16.00 R 25) tyres
- Tail swing radius only 3.53 m



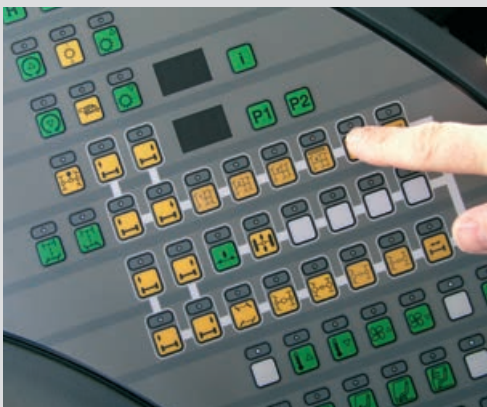
Hydro-pneumatic suspension Niveaumatik

- Maintenance-free suspension cylinders
- Large dimensions to cope with high axle loads
- Suspension travel: +100/-100 mm
- High lateral stability when cornering
- Choice of driving states using fixed programmes



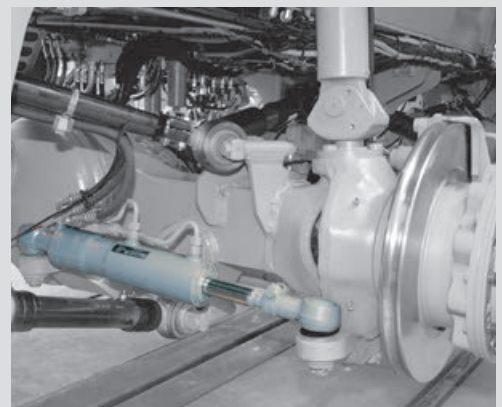
Pneumatic disc brakes

- High braking power, improved control
- Improved directional stability
- No reduction of braking force at high braking temperatures (fading)
- Longer service life
- Shorter labour times for changing the braking pads
- Brake pads with wear indicators



5 steering programmes

- Selection of programme by simple push button
- Clear layout of control elements and displays
- Programmes changeable during driving
- Crab steering comfortably controlled by steering wheel



Variable steering concept



Centring cylinder on the rear axles

- Automatic straightening of rear axles in case of failure

Active rear-axle steering

The rear axles are actively electro-hydraulically controlled in accordance with the speed and steering angle of the front axle.

Five different steering programmes (P) can be selected by touch button.

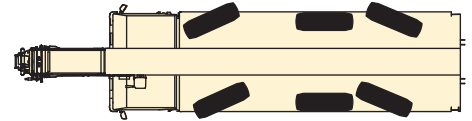
- Remarkably reduced tyre wear
- Improved manoeuvrability
- Stable driving condition even at high speeds
- All three axles can be steered

High safety standards - entire know-how from Liebherr

- Centring cylinder for automatic straightening of rear axles in case of failure
- Two independent hydraulic circuits with wheel and engine driven hydraulic pump
- Two independent control computers

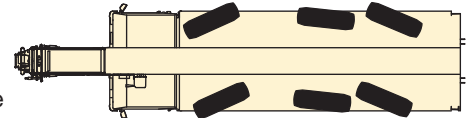
P1 Road steering

The axle 1 is mechanically steered by the steering wheel. The axle 3 is actively steered depending on the speed and on the steering angle of the front axle. Above 30 km/h it will be adjusted to straight driving and fixed



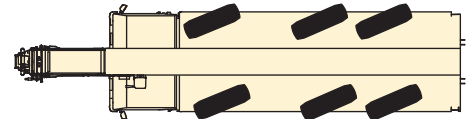
P2 All-wheel steering

The axles 2 and 3 are turned by the steering wheel depending on the steering angle of the front axle to provide for the smallest turning radius



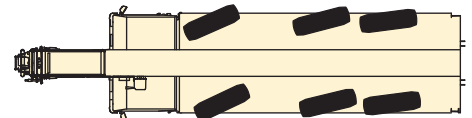
P3 Crab steering

The axles 2 and 3 are turned by the steering wheel to the same direction as the steering position of axle 1



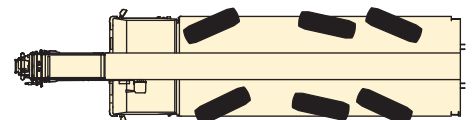
P4 Reduced swing out

The axles 2 and 3 are turned depending on the wheel turn of the 1. axle to minimize the back swing of the rear of the chassis



P5 Independent rear axle steering

The axle 1 is steered by the steering wheel, the axles 2 and 3 are steered by push buttons independently from the steering angle of the axle 1





The driver's cab

- Corrosion resistant
- Electric window lifters
- Safety glass on all sides
- Tinted glass
- Heated and electrically adjustable outside mirrors
- Air-sprung driver's seat with lumbar support

Comfort and functionality



Modern driver's cab and crane cab

Both the modern driver's cab and the crane cab offer a comfortable and functional working environment. The control elements and displays are ergonomically arranged. Thus a safe and fatigue free working is assured. For the driver cabin, the crane cabin, the ignition lock and tank cap a single key system is provided.

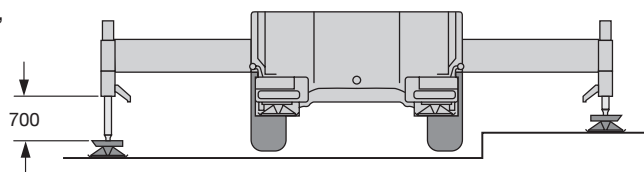
Speedy and safe set-up

Setting of the outriggers, counterweight assembly and attachment of additional equipment have all been designed with speed, safety and comfort in mind. Specific ascents, handholds and rails are provided to ensure the safety of the operating staff.



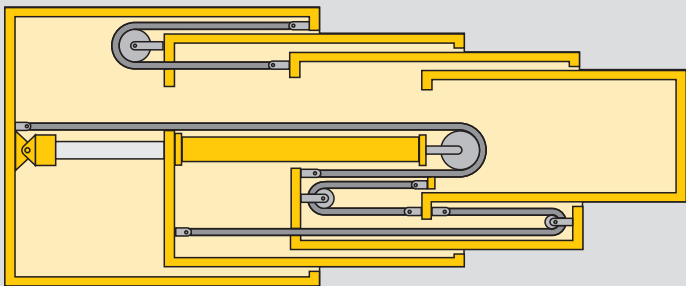
Supporting crane on outriggers – quick, comfortable and safe

- BTT blue tooth terminal, mobile control and display unit
- Electronic inclination display
- Fully automatic levelling by push button
- Engine start/stop and speed control
- Support area lighting with four integrated lights
- Support cylinder stroke: 650 mm front, 700 mm rear
- One-stage outrigger beams, fully hydraulic, low-maintenance extension system



The crane cab

- Large field of vision
- Safety glazing
- Tinted window panes
- Crane driver's seat with lumbar support, multiply adjustable
- Heat and noise insulated interior cladding
- Corrosion resistant
- Working floodlight
- Engine-independent heating



Proven hydro-mechanical telescoping system

- Reliable single step double acting hydraulic cylinder
- Low centre of gravity due to double sheave block for telescopic section 2 and 3
- Section 1 extended/retracted by hydraulic cylinder, sections 2 and 3 by ropes
- High telescopable loads

High lifting capacities and flexible boom system

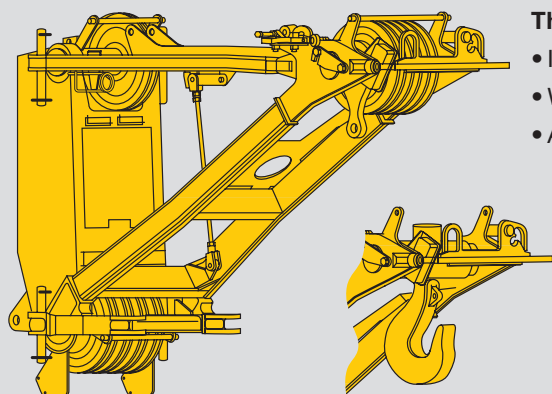
High-capacity, long telescopic boom and functional lattice extensions

The telescopic boom comprises the base section and three telescopic sections which can be extended comfortably by a hydro-mechanic extension system to any requested length.

- 38-m telescopic boom
- 9.2-m to 16-m folding double fly jib, attachable at 0°, 20°, 40° and 60°
- 1.4-m assembly jib, consisting of the fly-jib adapter and an additional sheave set or a hook beam

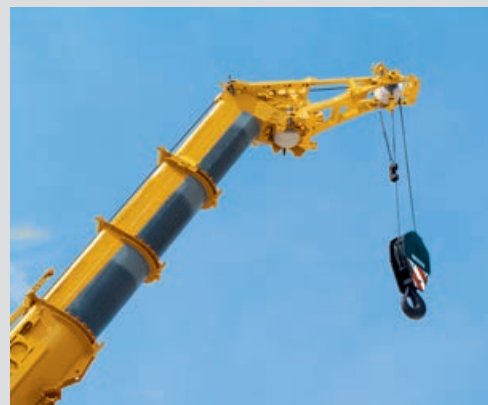
High lifting capacities both with full and partial counterweight offer a wide operational range

- High lateral stability due to the oval boom profile
- Telescoping under load
- Lifting capacity: 7.5 t at 38 m lifting height
- Maximum hook height: 54 m
- Maximum radius: 44 m



The assembly jib

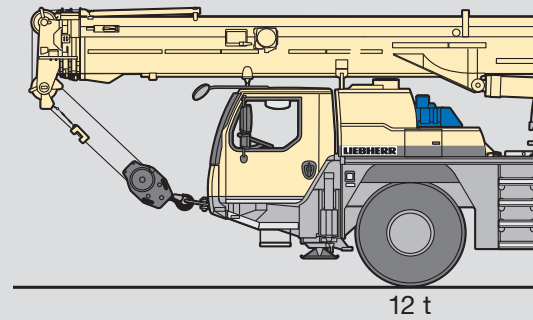
- Integrated in folding fly jib
- With sheave set or hook beam
- Attachable under 0°, 20°, 40° and 60°



Variable counterweight

Counterweight assembly - a matter of minutes

- Multiple counterweight variations from 4.4 t to 9 t
- Rapid ballasting with keyhole technology from within the crane cab
- Compact counterweight dimensions: with 9 t counterweight, the width is only 2.54 m
- Tail swing: only 3.5 m
- 36 t total weight incl. 7 t counterweight at 12-t axle load

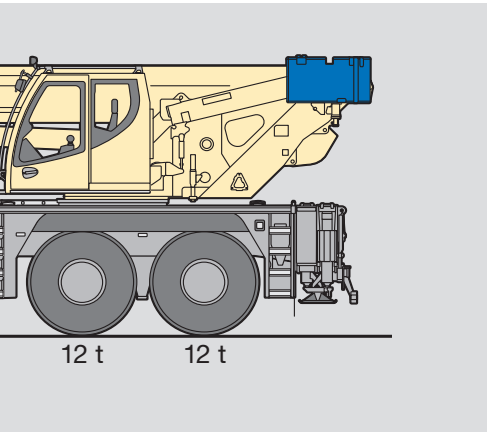


The hoist gear

- Hoist gear with integrated planetary gear and spring loaded multi-disc brake
- Line pull 45 kN at outer layer
- Maximum line speed 120 m/min
- 2. hoist gear optional



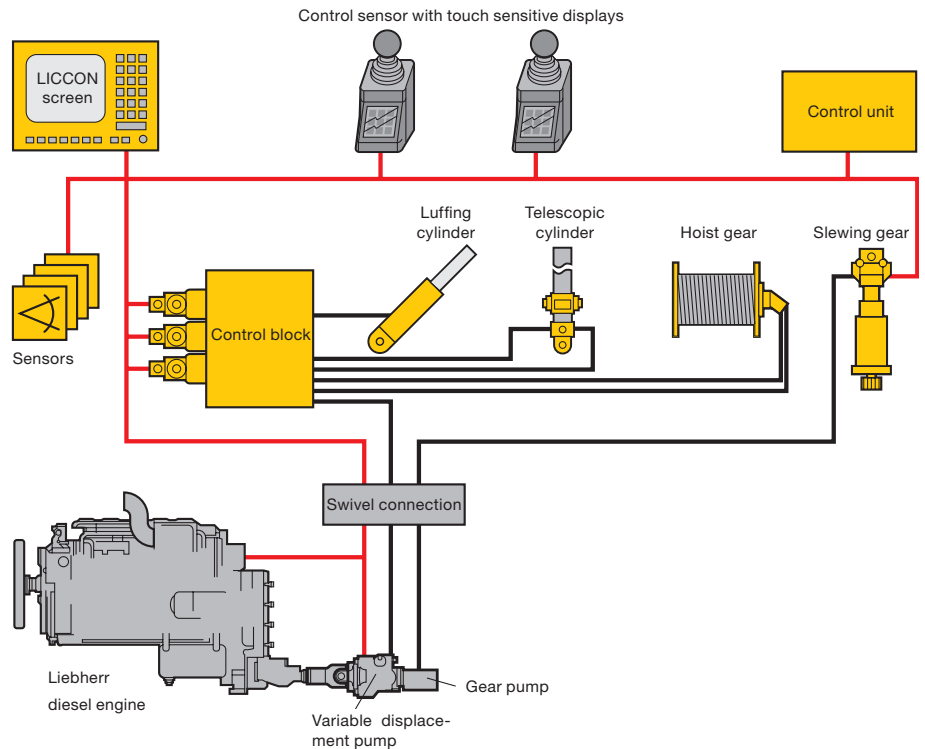
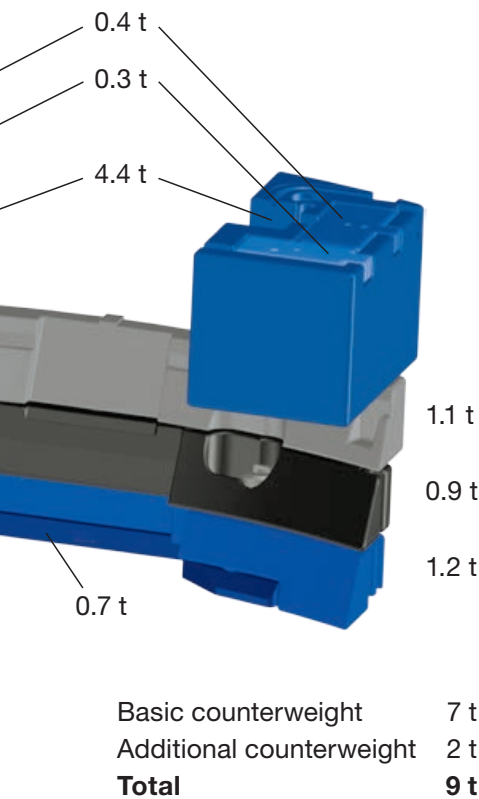
High-power crane drive



With tried-and-tested components

The drive components for crane operation are designed for high performance and ensure sensitive and precise load handling. They are specially designed to suit the crane's usage and have been subjected to hard endurance tests.

- Crane drive from chassis engine
- Optimized fuel consumption by electronic engine management
- Diesel-hydraulic crane drive, open hydraulic circuits with electronic "Load Sensing" control, 4 working movements simultaneously possible
- Electric/electronic SPS crane control through the LICCON computer system
- Comfort armrest control with 2 self-centering, 4-fold multifunctional joysticks, stepless control of all crane movements, with vibration joysticks for slewing gear and winch operation, electronic pilot control
- Slewing system changeable from open to hydraulically locked as standard, thus the movement can be adjusted to the different operational conditions, e. g. sensitive control for assembly work or fast cycle work



The slewing gear

- Planetary gear, spring loaded multi-disc brake
- Slewing speed from 0 – 1.9 m/min step less adjustable
- Slewing gear changeable from open to hydraulically locked



Centralised lubrication

- Centralised lubrication system as standard for slewing ring, boom bearings, luffing ram and winch bearings
- Uniform application of lubricant
- Lubricant level visible in transparent container at all times



LICCON
 BSE-TESTSYSTEM - VERSION 17784
 009978/0800 2811-07-15 15:23
 (c) LIEBHERR-WERK EHINGEN 2011 MEST 08:07:41 2011-07-21

LICCON Datenlogger II V1.51
 KWNR: 00000969
 QVART: V 01.29.04
 18.8.57.109

> SPRACHE: DEUTSCH <

FEHLER ÜBR SCHEIN SHOTS SERVICE
 LEERE

The LICCON test system

- Rapid localisation of problems on-screen without any measuring instruments
- Display of error codes and descriptions
- Convenient interactive functions for monitoring all inputs and outputs
- Displays of functions and allocation of sensors and actuators

34.5 m 24.4
 26.6 m 28.0
 29°
 10°
 138°
 A
 1/2 A/B

Intelligent crane control

For functional and safe crane operation: the LICCON computer system

The soft and hardware of the mobile crane control is developed by Liebherr in-house. The centre is the LICCON computer system (Liebherr Computed Control).

- Integrated LML load moment limiter
- Key components are in-house manufactured by Liebherr
- Guaranteed spare parts availability
- Worldwide proven under the most different climate conditions
- Operator friendly

The second control generation LICCON2 is the result of a continuous development by the Liebherr specialists and enables the adaption to the constantly increasing demands of the markets due to its modern and future oriented control.

The data bus technology

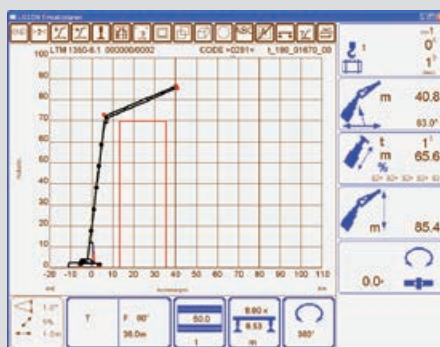
Liebherr mobile cranes are completely interlaced by the data bus system. All important electric and electronic components are equipped with own micro-processors and communicate with each other by only limited data cables. For the special demands of the mobile crane Liebherr has developed own data bus systems (LSB – Liebherr-System-Bus). The data bus technology improves the reliability, the comfort and the safety for road driving and crane operation:

- Higher reliability due to remarkable lesser electric cables and contacts
- Continuous self testing of the „intelligent sensors“
- Comprehensive diagnosis possibilities, fast fault finding



The LICCON working range limiting system

- Relief for the crane operator's job by automatically monitoring workspace restrictions such as bridges, roofs, etc.
- Simple programming
- Four different limitation functions:
 - Pulley-head height limitation
 - Radius limitation
 - Slewing angle limitation
 - Edge limitation



The LICCON work planner

- Computer programme for planning, simulating and documenting crane operations on a PC
- Representation of all the crane's load charts
- Automatic search for suitable crane based on entry of load, radius and lifting height parameters
- Simulation of crane operations with outline functions and supporting force display

LICCON2 - safe and comfortable



Attaching and detaching of the hook block

The BTT – Bluetooth Terminal offers the crane driver the possibility to attach or detach the hook block at the front of the vehicle within sight, as the hoist winch and the luffing cylinder of the telescopic boom are remote controlled.



Wireless remote control

Wireless remote control (option)

All crane motions can be controlled outside of the cab.

- Higher efficiency
- Free view and closeness to the load
- Prevention of communication errors between the crane driver and the job site personnel

Crane support

By use of the BTT the mobile crane will be setup comfortably and safely. Engine start/stop and speed regulation, electronic inclination display and automatic levelling are standard. Optionally the BTT can also display the outrigger forces.



Colour monitor

The readability of the data on the monitor of the LICCON2 control system in the crane cab is enhanced by the colour display. Warnings and crane utilization are considerably better recognized.



Touch displays

Below the joy sticks integrated in the armrests the touch displays are installed, with which the various operational functions can be selected. These are beside others the drive and steering programs of the chassis, the axle suspension, the supporting of the crane, the adjustment of the working floodlights as well as heater and air condition controls.