



GLOBALLY
RECOGNIZED,
USA MADE
HANDLING TOOLS
FOR 30 YEARS.
**THE CHOICE
FOR RIGS.**

BVM CORPORATION

**PRODUCT
BROCHURE**



HISTORY & CURRENT ACTIVITY

BVM Corporation has been in the business of manufacturing Oilfield Tools for over 30 years. We have grown and expanded our products lines continuously and continue to do so with several important new additions to our product lineup within the past 18 months, even as the economy and the industry struggled. The company was started by Norbert “Bert” Vogler and continues to be operated under the control of Bert and his son Andre. Currently the company employs 49 people.

All of BVM’s products are manufactured at our factory in Denver, Colorado, USA. We sell our tools to all areas of the world. Our product line includes tools for both onshore and offshore drilling. We have in recent years concentrated on expanding our line to include tools that can handle the larger sizes and heavier loads required for the deeper drilling and multiple strings originating from a single drill site. We also continue to offer the smaller and lighter tools needed for onshore drilling and reworking of wells. We pride ourselves in offering Quality tools at economical prices. We also offer the flexibility of a smaller company, able to make specialized sizes and configurations to meet our customers’ special needs. Currently we are adding new machinery and additional space to our factory in order to ensure increased production capacities.

INDEX	PAGE.
01 ELEVATOR	— 09
02 ELEVATOR BORE CODES	— 11
03 MANUAL TONGS	— 13
04 MANUAL SLIPS	— 15
05 SAFETY CLAMPS	— 17
06 CASING SPIDER/ELEVATOR	— 19
07 CASING SPIDERS — KELLY SPINNERS	— 22
08 TUBING — POWER UNITS	— 23
09 ELEVATOR LINKS (Bails)	— 24
10 PICK UP — LAYDOWN MACHINE	— 25



DESIGN BY: JCG.MX





BVM Manufacturing Company Incorporated maintains the following **API** Certifications

NOTE:

Not all products listed in
this catalog are authorized
to carry the API Monogram.





API 7K-0500



7K-0500

THIS SPECIFICATION PROVIDES GENERAL PRINCIPLES AND SPECIFIES REQUIREMENTS FOR DESIGN, MANUFACTURE, AND TESTING OF NEW DRILLING AND WELL-SERVICING EQUIPMENT AND OF REPLACEMENT PRIMARY LOAD-CARRYING COMPONENTS MANUFACTURED SUBSEQUENT TO THE PUBLICATION OF THIS SPECIFICATION. THIS SPECIFICATION IS APPLICABLE TO THE FOLLOWING EQUIPMENT:

- Rotary Tables
- Rotary Bushings
- High-Pressure Mud and Cement Hoses
- Piston Mud-Pump Components
- Drawworks Components
- Manual Tongs
- Safety Clamps Not used as Hoisting Devices
- Blowout Preventer (Bop) Handling Systems
- Pressure-Relieving Devices for High-Pressure Drilling Fluid Circulating Systems
- Snub-Lines for Manual and Power Tongs
- Rotary Slips, Both Manual and Powered
- Slip Bowls
- Spiders, Both Manual and Powered

API 8C-0307



8C-0307

THIS STANDARD PROVIDES REQUIREMENTS FOR THE DESIGN, MANUFACTURE AND TESTING OF HOISTING EQUIPMENT SUITABLE FOR USE IN DRILLING AND PRODUCTION OPERATIONS.

THIS STANDARD IS APPLICABLE TO THE FOLLOWING DRILLING AND PRODUCTION HOISTING EQUIPMENT:

- Hoisting Sheaves
- Travelling Blocks and Hook Blocks
- Block-To-Hook Adapters
- Connectors and Link Adapters
- Drilling Hooks
- Tubing Hooks And Sucker-Rod Hooks
- Elevator Links
- Casing Elevators, Tubing Elevators, Drill-Pipe Elevators and Drill-Collar Elevators;
- Sucker-Rod Elevators
- Rotary Swivel-Bail Adapters
- Rotary Swivels
- Power Swivels
- Power Subs
- Spiders, If Capable Of Being Used as Elevators
- Wire-Line Anchors
- Drill-String Motion Compensators
- Kelly Spinners, If Capable Of Being Used as Hoisting Equipment
- Pressure Vessels And Piping Mounted Onto Hoisting Equipment
- Safety Clamps, If Capable Of Being Used As Hoisting Equipment;
- Guide Dollies For Traveling Equipment (E.G. Hooks, Blocks, Etc.).



ORI

ISO 9001-2015

THE EFFECTIVE IMPLEMENTATION OF **ISO 9001** GIVES YOUR COMPANY THE GREAT COMPETITIVE ADVANTAGE.



Demonstrates that we have the discipline to identify, understand and fully implement our customers' needs, requirements and expectations. It helps to effectively drive down waste and production costs, while providing the high quality that our customers expect. Its process approach allows us to increase our customers' satisfaction while consistently providing product that meet customer needs and applicable regulatory requirements. By providing this visible commitment to our customers, we increase their confidence in our company and our products.





LOAD TESTING, REPAIR & RECERTIFICATION

BVM is uniquely qualified to preform LOAD TESTING, REPAIR AND RECERTIFICATION on elevators, links and tongs. Our manufacturing plant based repair and recertification facility offers access to our supply of new parts, skilled and certified welders and load test technicians as well as our **NDE** and Quality Control specialists.



We utilize the same **NDE** testing, load testing and certified welding procedures for recertification as we do for our new tools. The sand blasting and factory paint booth assure a factory new paint application after testing.

ELEVATOR

SIDE DOOR 90 DEGREE ELEVATORS

PART NO.	TYPE	TONS	SIZE	WEIGHT
33854	SLX	100	2 3/8" - 5 1/2"	175
31239	SLX	150	3 1/2" - 8 5/8"	340
33950	SLX	150	9 5/8" - 10 3/4"	420
33982	SLX	150	11 3/4" - 13 5/8"	460
33632	SLX	150	16" - 20"	664
33175	SLX	150	24" - 30"	1075
33180	SLX	150	36"	2100
43239	SLX	250	4 1/2" - 8 5/8"	550
43950	SLX	250	9 5/8" - 10 3/4"	650
43982	SLX	250	11 3/4" - 13 5/8"	525
43632	SLX	250	16" - 20"	1000
43175	SLX	250	24" - 30"	1092
43180	SLX	250	36"	2200
29965	SX	350	5 1/2" - 13 3/8"	1076
29966	SX	350	16" - 20"	1174
29964	SX	500	6 5/8" - 13 5/8"	1180
30729	SX	500	16" - 20"	1346
46950	SX	750	7 5/8" - 13 3/8"	2650

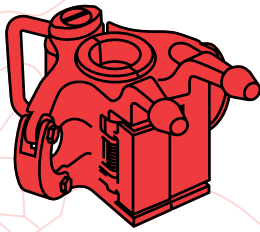
CENTER LATCH 18 DEGREE DRILL PIPE ELEVATORS

PART NO.	TYPE	TONS	SIZE	WEIGHT
30157	MG	100	2 3/8" - 5"	235
30156	RG	150	2 3/8" - 5"	330
13884	MGG	175	2 3/8" - 5"	360
35005	MGG	250	2 3/8" - 5 1/2"	571
31068	GG	350	3 1/2" - 5 1/2"	734
70013	HGG	500	3 1/2" - 6 5/8"	980

CENTER LATCH 90 DEGREE COLLAR TYPE ELEVATORS

PART NO.	TYPE	TONS	SIZE	WEIGHT
32387	TA	35	1.050" - 2 7/8"	55
32385	TA	65	1.660" - 2 7/8"	113
32386	TA	65	3 1/2" - 4 1/2"	150
32383	TA	100	2 3/8" - 2 7/8"	127
32384	TA	100	3 1/2" - 4 1/2"	157
29960	TA	100	5 1/2" - 8 5/8"	352
32754	TA	150	5" - 8 5/8"	413
39342	TA	150	8 1/2" - 11 3/4"	430
25462	RA	125	2 3/8" - 3 1/2"	158
25459	RA	150	2 3/8" - 4 1/2"	220
13373	RA	250	3 1/2" - 7"	352
12942	RAA	350	4 1/2" - 5 1/2"	550

ELEVATOR



BVM center latch elevators are used for handling plain, upset tubing, drill collar, and casing with square shoulder. These elevators feature a safety double latch system to reduce accidental opening. The BVM Center Latch Elevators come in sizes ranging from 1.05" through 11 3/4", with capacity of 35, 65, 100, 150, 175, 250 and 350 tons. These elevators are made from alloy steel; load tested and are magnetic particle inspected. Certified to API 8C.

SINGLE JOINT TYPE ELEVATORS

PART NO.	TYPE	TONS	SIZE	WEIGHT
183	SJ	5	2 3/8" - 5 1/2"	47
184	SJ	5	5 3/4" - 7 5/8"	52
185	SJ	5	8 5/8" - 9 5/8"	68
186	SJ	5	10 3/4" - 13 5/8"	114
187	SJ	5	16" - 20"	158
188	SJ	5	21 1/2" - 24 1/2"	295
189	SJ	5	24" - 30"	412
200	SJ	6	36"	690

SUCKER ROD TYPE ELEVATORS

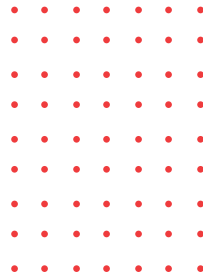
PART NO.	TYPE	TONS	SIZE	WEIGHT
84001	SR	20	5/8" - 3/4"	30
84002	SR	20	3/4" - 7/8"	30
84003	SR	20	1"	30
84004	SR	20	1 1/8"	31
84003P	SRP	20	5/8" - 1 1/8"	34
84018	PLATE		5/8" - 3/4"	0.25
84019	PLATE		3/4" - 7/8"	0.25
84020	PLATE		1"	0.25
84021	PLATE		1 1/8"	0.25

SLIP TYPE ELEVATORS - LESS SLIPS AND GUIDES

PART NO.	TYPE	TONS	SIZE	WEIGHT
28750	LYT	20	1 1/2" - 2 1/16"	57
29328	MYT	40	1.315" - 2 7/8"	157
23105	YT	75	1.315" - 3 1/2"	356
39284	HYT	150	2 3/8" - 3 1/2"	525
24140	YC	75	3 1/2" - 7"	441
24139	MYC	125	3 1/2" - 7"	465
55310	HYC	200	3 1/2" - 7 5/8"	982

NOTE:

Slip type elevators sold without Slips Setting Rings or Guides Slips sold with inserts and without setting rings.



SLIPS - GUIDES - INSERTS - SETTING RINGS

LYT

SIZE	SLIP	INSERT	NO.	-	SETTING RING
2 1/16" X 1.050"	28745-7	29370	8	-	28735
2 1/16" X 1.315"	28745-2	28749	8	-	28736
2 1/16" X 1.660"	28745-3	28778	8	-	28784
2 1/16" X 1.900"	28745-4	28775	8	-	28783
2 1/16" X 2.000"	28745-5	28772	8	-	28737
2 1/16" X 2 1/16"	28745-6	28772	8	-	28782

HYT

SIZE	SLIP	INSERT	NO.	-	SETTING RING
2 7/8" X 2 3/8"	39259-4	29255	16	-	39214-1
2 7/8" X 2 7/8"	39259-2	24773	16	-	39214-2
3 1/2" X 2 7/8"	39258-4	30358	32	-	39214-2
3 1/2" X 3 1/2"	39258-2	24774	32	-	39214-3

MYT

SIZE	SLIP	INSERT	NO.	-	SETTING RING
2 7/8" X 1.315"	29343-7	29259	8	-	29354
2 7/8" X 1.660"	29343-6	29258	8	-	29353
2 7/8" X 1.900"	29343-5	29257	8	-	29352
2 7/8" X 2.000"	29343-4	29256	8	-	29351
2 7/8" X 2 1/16"	29343-3	29256	8	-	29350
2 7/8" X 2 3/8"	29343-2	29255	8	-	29345
2 7/8" X 2 3/8"	29343-1	24773	8	-	29348

YC & MYC

SIZE	SLIP	INSERT	NO.	GUIDE PL	SETTING RING
4 1/2" X 3 1/2"	34931	24779	16	26827-1	34932
4 1/2" X 4"	26830	24781	16	26827	30209
4 1/2" X 4 1/2"	24072-5	16408	16	24071-4	30219
5 1/2" X 5"	24072-7	24783	16	24071	30220
5 1/2" X 5 1/2"	24072-2	16407	16	24071-1	30223
7" X 6 5/8"	24077-7	24748	24	24071-3	30226
7" X 7"	24077-1	16407	24	24071-2	30229

YT

SIZE	SLIP	INSERT	NO.	-	SETTING RING
2 7/8" X 1.315"	23108-11	29259	12	-	29001
2 7/8" X 1.660"	23108-10	29258	12	-	27810
2 7/8" X 1.900"	23108-9	29257	12	-	27811
2 7/8" X 2.000"	23108-8	29256	12	-	27821
2 7/8" X 2 1/16"	23108-7	29256	12	-	27812
2 7/8" X 2 3/8"	23108-6	29255	12	-	27694
2 7/8" X 2 7/8"	23108-4	24773	12	-	27695
3 1/2" X 2 7/8"	23108-3	30358	24	-	27695
3 1/2" X 3 1/2"	23108-5	24774	24	-	27813

HYC

SIZE	SLIP	INSERT	NO.	GUIDE PL	SETTING RING
4 1/2" X 3 1/2"	55509	24779	24	26827-1	55516
4 1/2" X 4"	55510	24781	24	26827	55517
4 1/2" X 4 1/2"	55511	16408	24	24071-4	55518
5 1/2" X 5"	55512	24783	36	24071	55519
5 1/2" X 5 1/2"	55513	16407	36	24071-1	55520
7" X 6 5/8"	55514	24748	48	24071-3	55521
7" X 7"	55515	16407	48	24071-2	55522
7 5/8" X 7 5/8"	70009	16407	48	24071-6	70012



ELEVATOR BORE CODES

DRILL PIPE BORE CODES

DRILL PIPE	TYPE UP SET	TOOL JOINT	18°	90°
			TAPERED	COLLAR
2 3/8	IU	API REG.	-	109
-	EU	NC 26 (IF) WO OH SL H90	116	110
2 7/8	IU	API REG. XH	117	108
-	EU	NC 31 (IF) WO OH SL H90	118	101
3 1/2	IU	API REG. FH	119	102
-	EU	NC 38 (IF) WO OH SL H90	120	103
4	IU	NC 40 (FH) H90	121	104
-	EU	NC 38 (IF) WO OH	122	105
4 1/2	IU	NC 46 (XH) FH H90	122	105
-	EU	NC 50 (IF) WO OH	123	106
5	IEU	NC 50 (XH)	123	106
-		4 1/2 IF 5 1/2 FH		
5 1/2	IEU	FH	124	107
5 7/8	IEU	IF	678	-
6 5/8	IEU	FH	740	-

TUBING

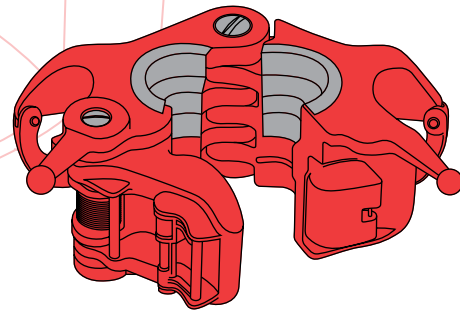
TUBING SIZE (IN.)	STYLE	BORE CODE	TOP BORE A	BOTTOM BORE B
1.050 (3/4)	Plain (NU)	150	1 1/8	1 1/8
	Upset (EU)	151	1 13/32	1 13/32
1.315 (1)	Plain (NU)	152	1 13/32	1 13/32
	Upset (EU)	153	1 19/32	1 19/32
1.660 (1 1/4)	Plain (NU)	154	1 3/4	1 3/4
	Upset (EU)	155	1 29/32	1 29/32
1.900 (1 1/2)	Plain (NU)	156	2	2
	Upset (EU)	157	2 3/16	2 3/16
2 3/8	Plain (NU)	158	2 7/16	2 7/16
	Upset (EU)	159	2 23/32	2 23/32
2 7/8	Plain (NU)	160	2 31/32	2 31/32
	Upset (EU)	161	3 7/32	3 7/32
3 1/2	Plain (NU)	162	3 9/16	3 9/16
	Upset (EU)	163	3 27/32	3 27/32
4	Plain (NU)	164	4 3/32	4 3/32
	Upset (EU)	165	4 11/32	4 11/32
4 1/2	Plain (NU)	166 (129)	4 19/32	4 19/32
	Upset (EU)	167	4 27/32	4 27/32

CASING

CASING SIZE (IN.)	BORE CODE	TOP BORE A	BOTTOM BORE B
4 1/2	129	4	4 19/32
4 3/4	130	4 27/32	4 27/32
5	131	5 1/8	5 1/8
5 1/2	132	5 5/8	5 5/8
5 3/4	133	5 7/8	5 7/8
6	134	6 1/8	6 1/8
6 5/8	135	6 3/4	6 3/4
7	136	7 1/8	7 1/8
7 5/8	137	7 25/32	7 25/32
8 5/8	139	8 25/32	8 25/32
9	140	9 5/32	9 5/32
9 5/8	141	9 25/32	9 25/32
9 7/8	649	10 1/32	10 1/32
10 3/4	142	10 15/16	10 15/16
11 3/4	143	11 15/16	11 15/16
12 3/4	850	12 15/16	12 15/16
13 3/8	144	13 9/16	13 9/16
13 5/8	596	13 9/24	13 9/24
16	145	16 7/32	16 7/32
18 5/8	146	18 7/8	18 7/8
20	147	20 9/32	20 9/32
21 1/2	148	21 25/32	21 25/32
22	688	22 9/32	22 9/32
24	630	24 5/16	24 5/16
24 1/2	149	24 13/16	24 13/16
26	650	26 11/32	26 11/32
28	693	28 11/32	28 11/32
30	644	30 3/8	30 3/8
36	660	36 7/16	37 7/16

ELEVATOR BORE CODES

BVM center latch 18 degree elevators are used for handling drill pipe with 18 degree tapered shoulders. These elevators feature a safety double latch system to reduce accidental opening. These BVM Center Latch Elevators come in sizes ranging from 2 3/8" through 6 5/8", with a capacity of 100, 150, 175, 250 and 350 tons. These Elevators are made from alloy steel; load tested and are magnetic particle inspected. Certified to API 8C.

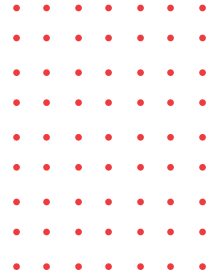


PLAIN DRILL COLLAR WITH LIFT PLUGS

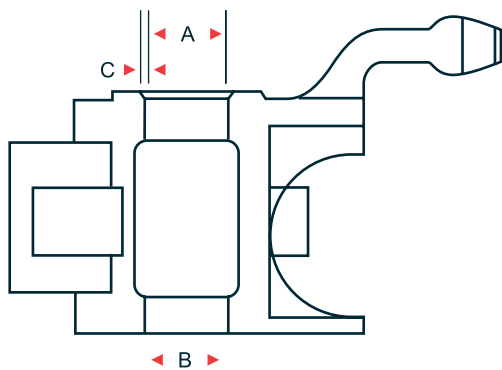
TUBING SIZE (IN.)	BORE CODE	TOP BORE	BEVEL C	BOTTOM BORE B
2 1/2	201	2 21/32	1/16	2 21/32
2 3/4	203	2 29/32	1/16	2 29/32
3	205	3 5/32	1/16	3 5/32
3 1/8	206	3 9/32	1/16	3 9/32
3 1/4	207	3 13/32	1/16	3 13/32
3 1/2	209	3 21/32	1/16	3 21/32
3 3/4	211	3 29/32	1/16	3 29/32
4	213	4 5/32	1/16	4 5/32
4 1/8	519	4 9/32	1/16	4 9/32
4 1/4	548	4 13/32	1/16	4 13/32
4 1/2	215	4 21/32	1/16	4 21/32
4 3/4	354	4 15/16	1/16	4 15/16
5	552	5 3/16	1/16	5 3/16
5 1/4	219	5 7/16	1/16	5 7/16
5 1/2	411	5 11/16	1/16	5 11/16
5 3/4	222	5 31/32	1/16	5 31/32
6	349	6 7/32	1/16	6 7/32
6 1/4	348	6 15/32	1/16	6 15/32
6 3/8	331	6 19/32	1/16	6 19/32
6 1/2	135	6 23/32	1/16	6 23/32
6 3/4	338	7	1/16	7
7	372	7 1/4	1/16	7 1/4
7 1/4	335	7 1/2	1/16	7 1/2
7 1/2	137	7 3/4	1/16	7 3/4
7 3/4	550	8	1/16	8
8	334	8 1/4	1/16	8 1/4
8 1/4	347	8 1/2	1/16	8 1/2
8 1/2	580	8 25/32	1/16	8 25/32
8 3/4	226	9 1/32	1/16	9 1/32
9	356	9 9/32	1/16	9 9/32
9 1/4	227	9 17/32	1/16	9 17/32
9 1/2	346	9 25/32	1/16	9 25/32
10	228	10 11/32	1/16	10 11/32
10 1/2	229	10 27/32	1/16	10 27/32
11	230	11 11/32	1/16	11 11/32

COLLAR TYPE DRILL PIPE

BORE CODE	TOP BORE A	BOTTOM BORE B
101	3 3/8	3 1/8
102	3 13/16	3 3/4
103	4 1/16	3 3/4
104	4 5/16	4 1/4
105	4 13/16	4 3/4
106	5 5/16	5 1/4
107	5 7/8	5 13/16
108	3 1/8	3 1/8
109	2 5/8	2 5/8
110	2 3/4	2 3/4
111	3 1/2	3 1/2
112	3 1/16	3 1/16
113	5 11/16	5 11/16
114	6 1/4	6 1/4
115	2 13/16	2 13/16


DRILL COLLAR WITH ZIP LIFT RECESS

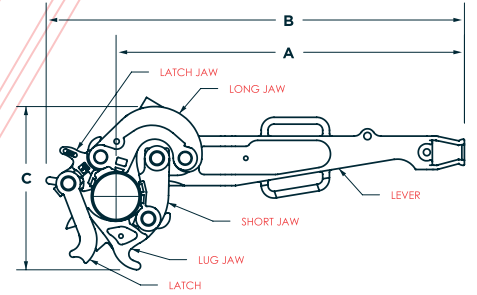
TUBING SIZE (IN.)	BORE CODE	TOP BORE	BEVEL C	BOTTOM BORE B
4 1/8	117	3 13/16	1/16	4 1/4
4 3/4	435	4 3/8	1/16	4 7/8
5 1/4	179	4 7/8	1/16	5 3/8
5 1/2	180	5 1/8	1/16	5 5/8
5 3/4	181	5 1/4	1/16	5 7/8
6	362	5 1/2	1/16	6 1/8
6 1/4	337	5 3/4	1/16	6 3/8
6 1/2	373	6	1/16	6 5/8
6 3/4	387	6 3/16	3/32	6 7/8
7	361	6 7/16	3/32	7 1/8
7 1/4	357	6 11/16	3/32	7 3/8
7 1/2	188	6 15/16	3/32	7 5/8
7 3/4	339	7 3/16	3/32	7 7/8
8	336	7 7/16	3/32	8 1/8
8 1/4	422	7 11/16	3/32	8 3/8
8 1/2	426	7 15/16	3/32	8 5/8
9	427	8 3/8	1/8	9 1/8
9 1/2	370	8 7/8	1/8	9 5/8
9 3/4	367	9 1/8	1/8	9 7/8
10	195	9 3/8	1/8	10 1/8
10 3/4	527	10 1/8	1/8	10 7/8
11	419	10 3/8	1/8	11 1/8
11 1/4	196	10 5/8	1/8	11 3/8



MANUAL TONGS

BVM TYPE C MANUAL TONG Max. 35,000 FT/LB 2 3/8" - 10 3/4"

PART NO.	DESCRIPTION	SIZE	WEIGHT
75117-L	C Tong With Std Lever, Less Lug Jaws	-	276
75117-S	C Tong With 36" Lever, Less Lug Jaws	-	266
75728-1	Lug Jaw 15,000 ft lb	2 3/8" - 3 5/8"	33
75939-4	Lug Jaw 25,000 ft lb	3 1/2" - 5 1/4"	44
75701-1	Lug Jaw 25,000 ft lb	6 1/2" - 8 5/8"	58
75703-1	Lug Jaw 35,000 ft lb	9 5/8" - 10 3/4"	80
75943-1	Lug Jaw 25,000 ft lb (Optional)	4 1/2" - 6 1/2"	42
75727-1	Lug Jaw 15,000 ft lb (Optional)	2 7/8" - 4 1/4"	30



BVM TYPE B MANUAL TONG Max. 55,000 FT/LB 3 1/2" - 13 3/8"

PART NO.	DESCRIPTION	SIZE	WEIGHT
67114	B Tong With 48" Lever, Less Lug Jaws	-	518
67114-1	B Tong With 36" Lever, Less Lug Jaws	-	467
67765-1	Lug Jaw 35,000 ft lb	3 1/2" - 5"	30
67622-1	Lug Jaw 55,000 ft lb	5" - 6 3/4"	37
67195-1	Lug Jaw 55,000 ft lb	6 5/8" - 9"	43
67297-1	Lug Jaw 40,000 ft lb	9" - 10 3/4"	60
67285-1	Lug Jaw 30,000 ft lb	11 3/4"	62
67592-1	Lug Jaw 30,000 ft lb	13 3/8"	72
67927-1	Lug Jaw 55,000 ft lb (Optional)	4" - 5 1/2"	32
67196-1	Lug Jaw 55,000 ft lb (Optional)	4 1/4" - 6 3/4"	43
67569-1	Lug Jaw 30,000 ft lb (Optional)	12 3/4"	73

NOTE:

Casing heads sold complete less lever and hanger.

BVM TYPE B CASING TONG 25,000 FT/LB 13 3/8" - 14 1/2"

PART NO.	DESCRIPTION	SIZE	WEIGHT
69100-100	Casing Head	13 3/8" - 14 1/2"	340
69100-110	Casing Head	14 1/2" - 16"	352
69100-120	Casing Head	16" - 17 1/2"	373
69100-130	Casing Head	17 1/2" - 19"	385
69100-140	Casing Head	19" - 20"	312
69100-150	Casing Head	20" - 21 1/2"	418
69100-160	Casing Head	21 1/2" - 23"	430
69100-170	Casing Head	24" - 25 1/2"	565
69100-180	Casing Head	30 1/2"	540
67264-1	Hanger Assembly	-	49
67265-1	Lever Assembly Std	-	155
67265-2	Lever Assembly 36"	-	136

BVM TYPE DB CASING TONG Max. 65,000 FT/LB 3 1/2" - 17"

PART NO.	DESCRIPTION	SIZE	WEIGHT
45801-1	DB Tong With Lever, Less Lug Jaws	-	443
45718-1	Lug Jaw	3 1/2" - 8 1/4"	88
45719-1	Lug Jaw	8" - 11 1/4"	112
45720-1	Lug Jaw	11 3/4" - 14 3/8"	78
45721-1	Lug Jaw	16" - 17"	96
45722	Hinge Jaw Assembly	-	
	- Req. for sizes Larger than	8 1/2"	54
45728	Safety Handles - (Optional)	-	
	Set of 2 for 1 Handle	-	6

BVM TYPE MS MANUAL TONG Max. 6,500 FT/LB 1.9" - 6 1/8"

PART NO.	DESCRIPTION	SIZE	WEIGHT
40423	MS Tong With Lever, Less Jaws	1.9" - 4 1/2"	42
40427	MS Tong With Lever, Less Jaws	4 1/2" - 6 1/8"	42
40436-1	Lug Jaw	1.9" - 2 1/16"	2
40437-1	Lug Jaw	2 3/8" - 3.668"	4.5
40438-1	Lug Jaw	3 1/2" - 4 1/2"	4.5
40439-1	Lug Jaw	4 1/2" - 5 1/4"	4.5
40441-1	Lug Jaw	5 1/4" - 6 1/8"	5
40442	Short Jaw - Used this size only	4 1/2" - 6 1/8"	3
40443	Latch Jaw - Assembly	4 1/2" - 6 1/8"	3

BVM TYPE LF TONG Max. 14,000 FT/LB 23/8" - 85/8"

PART NO.	DESCRIPTION	SIZE	WEIGHT
80121	LF Tong With Lever, Less Lug Jaws	-	52
80911	Lug Jaw 10,000 ft lb	2 3/8" - 3 1/2"	12
80912	Lug Jaw 10,000 ft lb	3 1/2" - 5 3/8"	15
80913	Lug Jaw 14,000 ft lb	4 3/4" - 3 1/4"	24
80930	Lug Jaw 12,000 ft lb	5 3/4" - 7 1/4"	35
80931-1	Lug Jaw Assembly 10,000 ft lb	8 5/8"	56

BVM TYPE AAX TONG Max. 55,000 FT/LB 23/8" - 133/8"

PART NO.	DESCRIPTION	SIZE	WEIGHT
1300-1	AAX Tong With 48" Lever, Less Lug Jaws	2 7/8 - 13 3/8	394
1300-2	AAX Tong With 42" Lever, Less Lug Jaws	2 7/8 - 13 3/8	387
1300-3	AAX Tong With 36" Lever, Less Lug Jaws	2 7/8 - 13 3/8	367
1370	Lug Jaw 40,000 ft lb	2 7/8" - 3 3/4"	33
1371	Lug Jaw 40,000 ft lb	3 1/2" - 4 1/2"	30
1372	Lug Jaw 55,000 ft lb	4" - 5 1/4"	40
1373	Lug Jaw 55,000 ft lb	5" - 7 1/4"	44
1374	Lug Jaw 55,000 ft lb	6 7/8" - 8 5/8"	55
1375	Lug Jaw 30,000 ft lb	9" - 10 3/4"	64
1376	Lug Jaw 30,000 ft lb	10 3/4" - 11 3/4"	68
1377	Lug Jaw 30,000 ft lb	13 3/8"	90

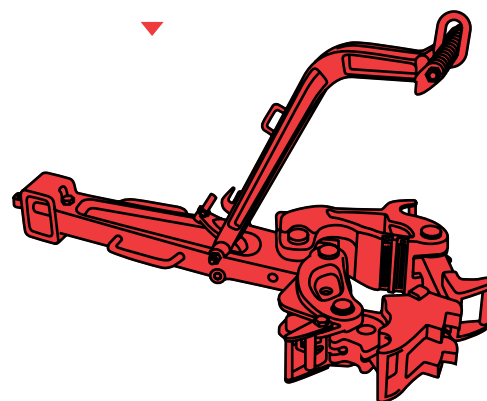
BVM TYPE H TONG Max. 80,000 FT/LB 3 1/2" - 13 3/8"

PART NO.	DESCRIPTION	SIZE	WEIGHT
1800	H Tong With 50" Lever, Less Lug Jaws	3 1/2 - 13 3/8	510
1871	Lug Jaw	3 1/2" - 4 1/2"	34
1872	Lug Jaw	4" - 5 1/4"	48
1873	Lug Jaw	5" - 6"	66
1874	Lug Jaw	6" - 7"	82
1875	Lug Jaw	7" - 9"	72
1876	Lug Jaw	9" - 10 3/4"	100
1877	Lug Jaw	10 3/4" - 11 3/4"	96
1878	Lug Jaw	13 3/8"	108

BVM TYPE SDD TONG Max. 100,000 FT/LB 4" - 17"

PART NO.	DESCRIPTION	SIZE	WEIGHT
55701-1	SSD Tong With 48" Lever, Less Lug Jaws	4" - 17"	690
55702-1	Lug Jaw 100,000 ft lb	4" - 8 1/2"	138
55703-1	Lug Jaw 100,000 ft lb	8 1/2" - 12"	96
55704-1	Lug Jaw 75,000 ft lb	12" - 15"	135
55705-1	Lug Jaw 60,000 ft lb	15 3/4"	156
55706-1	Lug Jaw 60,000 ft lb	16" - 17"	120
55707-1	Hinge Jaw / Required:	8 1/2" & Larger	98

MANUAL TONGS



BVM Manual Tongs are designed in accordance with API specification 7K and can handle various sizes of pipe and varying torque requirements from light tubing to heavy wash pipe and drill collars and casing. All BVM manual tongs are precision machined from heat treated alloy steel, with hinge pins made from a special heat treated alloy steel. Interchangeable lug jaw designs permit each tong to handle different sizes of pipe safely and conveniently.

On some models by installing hinge jaws, bigger pipe sizes can be handled and for the AAX and Type B tongs special Casing heads are available to handle sizes to 36 inches.

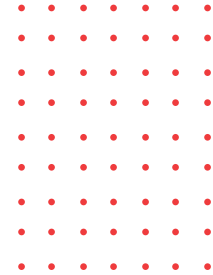
MANUAL SLIPS

ROTARY SLIPS COMPLETE

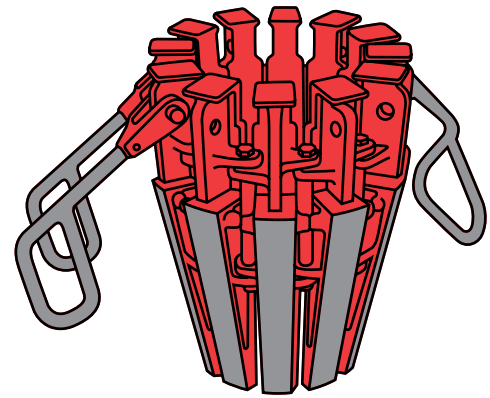
BODY	API PIPE SIZE O.D. INCH	SDS PART #	INSERTS	WEIGHT	SDML PART #	INSERTS	WEIGHT	SDXL PART #	INSERTS	WEIGHT
3 1/2"	2 3/8"	3901	2160-24	181	15524	2160-30	193	-	-	-
3 1/2"	2 7/8"	3903	2161-24	181	15523	2161-30	188	-	-	-
3 1/2"	3 1/2"	3905	2162-24	181	15522	2162-30	181	-	-	-
4 1/2"	3 1/2"	3907	2163-36	162	15563	2163-45	207	15515	2163-54	273
4 1/2"	4"	3909	2164-36	155	15564	2164-45	199	15514	2164-54	257
4 1/2"	4 1/2"	3911	2165-36	146	15565	2165-45	188	15513	2165-54	254
5"	4"	-	-	-	15567	2168-45	204	15518	2168-54	237
5"	4 1/2"	-	-	-	15568	2166-45	196	15517	2166-54	227
5"	5"	-	-	-	15569	2167-45	185	15516	2167-54	225
5 1/2"	4 1/2"	-	-	-	15571	2168-45	200	15521	2168-54	234
5 1/2"	5"	-	-	-	15572	2169-45	192	15520	2169-54	224
5 1/2"	5 1/2"	-	-	-	15573	2170-45	181	15519	2170-54	210
7"	5 3/4"	-	-	-	-	-	-	86719-1	2521-72	272
7"	5 7/8"	-	-	-	-	-	-	86721	2656-72	262
7"	6"	-	-	-	-	-	-	86719-2	2632-60	252
7"	6 5/8"	-	-	-	-	-	-	86720	2172-72	242
7"	7"	-	-	-	-	-	-	86719	2173-72	243

CASING SLIPS CMSXL

PART NO. 4" TAPER	3" TAPER	SIZE	SEGMENTS	WEIGHT	CIRCULAR BUTTONS
98700	-	5 1/2"	11	174	2619-132
98701	-	6 5/8"	12	200	2628-144
98702	-	7"	12	184	2619-144
98703	-	7 5/8"	12	184	2630-144
98704	-	8 5/8"	13	181	2630-156
98705	98505	9 5/8"	14/13	192	2630-168
98706	98506	10 3/4"	15	252	2630-180
98707	98507	11 3/4"	17	265	2627-204
98708	98508	13 3/8"	18	278	2630-216
98709	98509	16"	21	317	2631-252
98720	98520	18 5/8"	25	369	2626-300
98721	98521	20"	26	382	2631-312
98722	98522	24"	30	443	2631-360
98723	98523	26"	33	486	2631-396
98724	98524	30"	37	536	2631-444
98725	98525	36"	44	637	2631-528



MANUAL SLIPS



BVM makes manual slips of the rotary type for tubing and drill pipe, drill collar type for the collar style connections and casing type. Casing style slips are also available in the conductor style. Made of alloy steel they safely hold the string with connections are being made or broken. They are sized to work in API standard bowls and tables. They are certified under API 7K.

CONDUCTOR PIPE SLIPS CPS

4" TAPER PART NO.	3" TAPER PART NO.	SIZE	SEGMENTS / SPACERS	WEIGHT	CIRCULAR BUTTONS
99725	99525	24"	13/12	276	2631-156
99726	99526	26"	14/13	296	2631-168
99727	99527	30"	16/15	319	2631-192

CASING SLIPS UC-3 3" TAPER

PART #	-	SIZE	SEGMENTS	WEIGHT	SLIP LINER
7704-5025	-	13 3/8"	12	195	7704-A-38
7704-5036	-	16"	14	226	7704-A-45
7704-5035	-	18 5/8"	17	283	7704-A-5000
7704-5034	-	20"	17	325	7704-A-99
7704-5001	-	24"	19	312	7704-A-99
7704-5006	-	26"	21	325	7704-A-100
7704-5005	-	30"	24	367	7704-A-100
7704-5007	-	36"	28	437	7704-A-100

DRILL COLLAR SLIP - TYPE DCS

PART NO.	TYPE	SIZE	SEGMENTS	WEIGHT	CIRCULAR BUTTONS
2572	DCS-S	3" - 4"	7	112	2628-49
2573	DCS-S	4" - 4 7/8"	7	109	2620-49
2552	DCS-R	4 1/2" - 6"	9	120	2628-63
2550	DCS-R	5 1/2" - 7"	9	112	2620-63
2501	DCS-L	5 1/2" - 7"	11	154	2513-88
2503	DCS-L	6 3/4" - 8 1/4"	11	151	2630-88
2507	DCS-L	8" - 9 1/2"	12	173	2630-96
2530	DCS-L	8 1/2" - 10"	13	185	2627-104
2508	DCS-L	9 1/4" - 11 1/4"	14	198	2630-112
2534	DCS-L	11" - 12 3/4"	17	213	2625-136
2536	DCS-L	12" - 14"	17	207	2630-136

SAFETY CLAMPS

TYPE T - COMPLETE WITH WRENCH, LESS BOX

PART NO.	COLLAR SIZE	DESCRIPTION	LINKS	WEIGHT
88000	1 1/8" - 2"	-	4	36
88001	2 1/8" - 3 1/4"	-	5	40
88002	3 1/4" - 4 1/2"	-	6	42
99612-T	-	Box - Type T	-	42

TYPE CS - COMPLETE WITH WRENCH, LESS BOX

PART NO.	COLLAR SIZE	DESCRIPTION	LINKS	WEIGHT
CS99500	3 3/4" - 4 5/8"	-	7	58
CS99501	4 1/2" - 5 5/8"	-	8	64
CS99502	5 1/2" - 6 5/8"	-	9	70
CS99503	6 1/2" - 7 5/8"	-	10	76
CS99504	7 1/2" - 8 5/8"	-	11	81
CS99505	8 1/2" - 9 5/8"	-	12	86
CS99506	9 1/2" - 10 5/8"	-	13	91
99612-C	-	Box C - S and M	-	42

TYPE CM - COMPLETE WITH WRENCH, LESS BOX

PART NO.	COLLAR SIZE	DESCRIPTION	LINKS	WEIGHT
CM99507	10 1/2" - 11 5/8"	-	14	95
CM99508	11 1/2" - 12 5/8"	-	15	100
CM99509	12 1/2" - 13 5/8"	-	16	104
CM99510	13 1/2" - 14 5/8"	-	17	108
CM99511	14 1/2" - 15 5/8"	-	18	113
99612-C	-	Box C - S and M	-	42

TYPE CL - COMPLETE WITH WRENCH, LESS BOX

PART NO.	COLLAR SIZE	DESCRIPTION	LINKS	WEIGHT
CL99512	15 1/2" - 18"	Double Screw	18	140
CL99513	16 1/2" - 19"	Double Screw	19	146
CL99514	17 1/2" - 20"	Double Screw	20	152
CL99515	18 1/2" - 21"	Double Screw	21	156
CL99516	19 1/2" - 22"	Double Screw	22	161
CL99517	21 1/2" - 23"	Double Screw	24	196
CL99518	24 1/2" - 26"	Double Screw	27	225
CL99519	29 1/2" - 31"	Double Screw	32	229
CL99525	35 1/2" - 37"	Double Screw	38	234
CL99526	41 1/2" - 43"	Double Screw	44	214

TYPE MP-S - COMPLETE WITH WRENCH, LESS BOX

PART NO.	COLLAR SIZE	DESCRIPTION	LINKS / DIES	WEIGHT
33030	2 7/8" - 4 1/8"	-	6/8	83
33031	4" - 5"	-	7/9	91
3331	-	Box	-	42

TYPE MP-R - COMPLETE WITH WRENCH, LESS BOX

PART NO.	COLLAR SIZE	DESCRIPTION	LINKS / DIES	WEIGHT
33011	4 1/2" - 5 5/8"	-	6/8	81
33012	5 1/2" - 7"	-	7/9	89
33013	6 3/4" - 8 1/4"	-	8/10	97
33014	8" - 9 1/4"	-	9/11	105
33015	9 1/4" - 10 1/2"	-	10/12	113
3331	-	Box	-	42

TYPE MP-M - COMPLETE WITH WRENCH, LESS BOX

PART NO.	COLLAR SIZE	DESCRIPTION	LINKS / DIES	WEIGHT
33016	10 1/2" - 11 1/2"	-	11/13	121
33017	11 1/2" - 12 1/2"	-	12/14	129
33018	12 1/2" - 13 5/8"	-	13/15	137
33019	13 5/8" - 14 3/4"	-	14/16	145
33020	14 3/4" - 15 7/8"	-	15/17	135
3331	-	Box	-	42

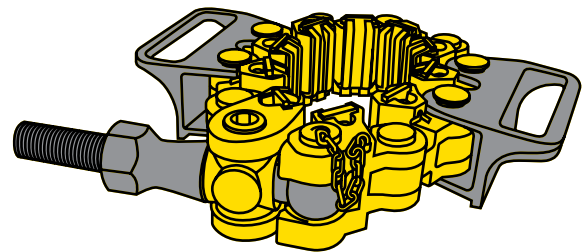
TYPE MP-L - COMPLETE WITH WRENCH, LESS BOX

PART NO.	COLLAR SIZE	DESCRIPTION	LINKS / DIES	WEIGHT
33021	15 7/8" - 17"	-	16/18	173
33022	17" - 18 1/2"	-	17/19	181
33023	18 1/8" - 19 3/8"	-	18/20	189
3331	-	Box	-	42

TYPE MP-L - COMPLETE WITH WRENCH, LESS BOX

PART NO.	COLLAR SIZE	DESCRIPTION	LINKS / DIES	WEIGHT
33024	19 3/8" - 20 3/8"	Double Screw	18/20	196
33025	20 3/8" - 21 1/2"	Double Screw	21/21	204
33032	21" - 22 5/8"	Double Screw	22/22	212
33033	22 5/8" - 23 3/4"	Double Screw	23/23	220
33034	23 3/4" - 24 7/8"	Double Screw	20/24	228
33035	24 7/8" - 26"	Double Screw	24/25	236
33036	26" - 27 1/8"	Double Screw	25/26	244
33039	29 3/8" - 30 1/2"	Double Screw	24/28	260
33044	35" - 36 1/8"	Double Screw	32/33	300

SAFETY CLAMPS



BVM manufactures three types of safety clamps, designed to securely hold a section or string of pipe to assure that it will not fall into the hole. These are made of alloy steel and have a screw closure and handles to facilitate their installation and removal. The larger sizes feature two screws and extra handles as required.

CASING SPIDER / ELEVATOR

200 / 250 TON CAPACITY 2 3/8" TO 7 5/8"

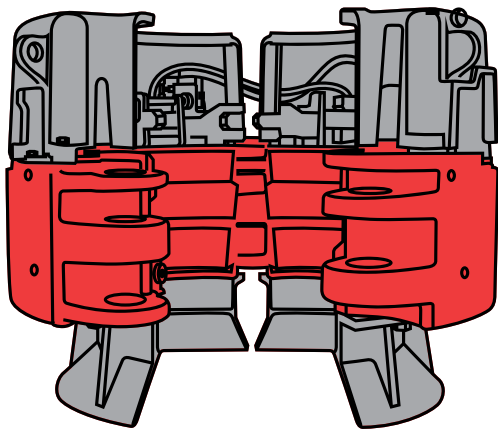
79200	Elevator / Spider [Manual] Less Slips and Guides
79200P	Elevator / Spider [Air/Manual] Less Slips and Guides
79772	Bell Guide Kit
79462	Spider Adapter Plate
79881	Airline & Filter Assembly

CASING SIZE	SLIP BODY SIZE	ELEVATOR BOTTOM GUIDE	SPIDER TOP GUIDE	SLIP SET	INSERT SET
2 3/8"	3 1/2"	79751	79525	79527-23	2160-12B-12
2 7/8"	3 1/2"	79871	79864	79527-28	2161-24
3 1/2"	3 1/2"	79870	79863	79527-35	2162-24
3 1/2"	4 1/2"	79870	79863	79901-35	2163-16B-16
4"	4 1/2"	79869	79862	79901-40	2164-16B-16
4 1/2"	4 1/2"	79868	79861	79901-45	2165-32
4 1/2"	5 1/2"	79868	79861	79525-45	2168-16B-16
5"	5 1/2"	79867	79860	79525-50	2169-16B-16
5 1/2"	5 1/2"	79867	79860	79525-55	2170-32
6 5/8"	7 5/8"	79866	79859	79524-66	2632-24B-24
7"	7 5/8"	79866	79859	79524-70	2623-24B-24
7 5/8"	7 5/8"	79865	79858	79524-76	2633-48

SIZED FROM

2 3/8" to 24 1/2"

200 TON 500 TON
250 TON 750 TON
350 TON



CASING SPIDER
/ ELEVATOR

350 TON CAPACITY 4 1/2" TO 14"

- 11776 Elevator / Spider [Manual] Less Slips and Guides
- 11798 Bell Guide Kit
- 19276 Spider Adapter Plate
- 11881 Airline & Filter Assembly

CASING SIZE	SLIP BODY SIZE	ELEVATOR BOTTOM GUIDE	SPIDER TOP GUIDE	SLIP SET	INSERT SET
4 1/2"	5 1/2"	11787	18419-1	11865	2168-16B-24
5"	5 1/2"	11788	18419-2	11864	2169-16B-24
5 1/2"	5 1/2"	11789	18419-3	11863	2170-40
6 5/8"	7 5/8"	11791	18419-4	11861	2632-24B-36
7"	7 5/8"	11791	18419-4	11860	2623-24B-36
7 5/8"	7 5/8"	11792	18419-5	11859	2633-60
7 3/4"	7 5/8"	11792	18419-5	71592-1	2649-60
8 5/8"	9 5/8"	11793	18419-6	11857	2640-32B-48
8 3/4"	9 5/8"	11793	18419-6	71591-3	2650-32B-48
9 5/8"	9 5/8"	11794	18419-7	11856	2633-80
9 3/4"	9 5/8"	71231	18419-15	71591-2	2649-80
9 7/8"	9 5/8"	71231	18419-15	71591-1	2649-80
10 3/4"	11 3/4"	11795	18419-8	11854	2640-40B-60
10 7/8"	11 3/4"	11795	18419-8	71590-1	2650-40B-60
11 3/4"	11 3/4"	11796	18419-9	11853	2637-100
11 7/8"	11 3/4"	11796	18419-9	71590-2	2651-100
12 3/4"	14"	11797-1	18419-13	70732-6	2657-40B-60
13 3/8"	14"	11797	18419-10	70732-5	2636-40B-60
13 1/2"	14"	71228	18419-12	70732-4	2652-40B-60
13 5/8"	14"	71228	18419-12	70732-3	2653-40B-60
13 3/4"	14"	71228	18419-12	70732-2	2655-40B-60
14"	14"	15939	18419-11	70732-1	2635-100

CASING SPIDER /ELEVATOR

500 TON CAPACITY 4 1/2" TO 14"

13800	Elevator / Spider [Manual] Less Slips and Guides
11798	Bell Guide Kit
19276	Spider Adapter Plate
11881	Airline & Filter Assembly

CASING SIZE	SLIP BODY SIZE	ELEVATOR BOTTOM GUIDE	SPIDER TOP GUIDE	SLIP SET	INSERT SET
4 1/2"	5 1/2"	11787	18419-1	13842-3	2168-16B-32
5"	5 1/2"	11788	18419-2	13842-2	2169-16B-32
5 1/2"	5 1/2"	11789	18419-3	13842-1	2170-48
6 5/8"	7 5/8"	11791	18419-4	13841-3	2632-24B-48
7"	7 5/8"	11791	18419-4	13841-2	2623-24B-48
7 5/8"	7 5/8"	11792	18419-5	13841-1	2633-72
7 3/4"	7 5/8"	11792	18419-5	13841-4	2649-72
8 5/8"	9 5/8"	11793	18419-6	13840-3	2640-32B-64
8 3/4"	9 5/8"	11793	18419-6	13840-5	2650-32B-64
9 5/8"	9 5/8"	11794	18419-7	13840-1	2633-96
9 3/4"	9 5/8"	71231	18419-15	13840-4	2649-96
9 7/8"	9 5/8"	71231	18419-15	13840-2	2649-96
10 3/4"	11 3/4"	11795	18419-8	13839-3	2640-40B-80
10 7/8"	11 3/4"	11795	18419-8	13839-4	2650-40B-80
11 3/4"	11 3/4"	11796	18419-9	13839-2	2637-120
11 7/8"	11 3/4"	11796	18419-9	13839-1	2651-120
12 3/4"	14"	11797-1	18419-13	70794-7	2657-40B-80
13 3/8"	14"	11797	18419-10	70734-5	2636-40B-80
13 1/2"	14"	71228	18419-12	70734-4	2652-40B-80
13 5/8"	14"	71228	18419-12	70734-3	2653-40B-80
13 3/4"	14"	71228	18419-12	70734-2	2655-40B-80
14"	14"	15939	18419-11	70734-1	2635-120

500 TON CAPACITY 16" TO 24 1/2"

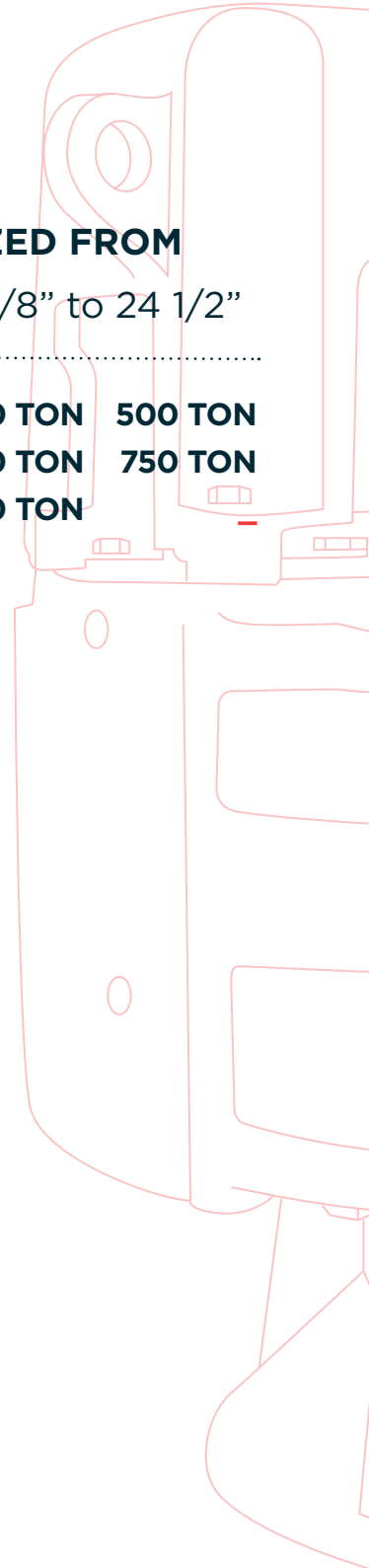
15740-1	Elevator / Spider [Manual] Less Slips and Guides
19001	Bell Guide Kit
16552	Spider Adapter Plate
11881	Airline & Filter Assembly

CASING SIZE	SLIP BODY SIZE	ELEVATOR BOTTOM GUIDE	SPIDER TOP GUIDE	SLIP SET	INSERT SET
16"	16"	16184	73138	15790-4	2635-180
18 5/8"	18 5/8"	15794	73137	15790-3	2668-180
20"	20"	15793	73136	15790-2	2635-180
24"	24"	15792	73135	15790-1	2635-180

SIZED FROM

2 3/8" to 24 1/2"

200 TON 500 TON
250 TON 750 TON
350 TON



750 TON CAPACITY 4 1/2" TO 14"

- 16150 Elevator / Spider [Manual] Less Slips and Guides
- 19002 Bell Guide Kit
- 17163 Spider Adapter Plate
- 11881 Airline & Filter Assembly

CASING SIZE	SLIP BODY SIZE	ELEVATOR BOTTOM GUIDE	SPIDER TOP GUIDE	SLIP SET	INSERT SET
6 5/8"	7 5/8"	11791	18419-4	16182-4	2632-24B-60
7"	7 5/8"	11791	18419-4	16182-8	2623-24B-60
7 5/8"	7 5/8"	11792	18419-5	16182-7	2633-84
7 3/4"	7 5/8"	11792	18419-5	16182-21	2649-84
8 5/8"	9 5/8"	11793	18419-6	16182-6	2640-32B-80
8 3/4"	9 5/8"	11793	18419-6	16182-20	2650-32B-80
9 5/8"	9 5/8"	11794	18419-7	16182-3	2633-112
9 3/4"	9 5/8"	71231	18419-15	16182-19	2649-112
9 7/8"	9 5/8"	71231	18419-15	16182-18	2649-112
10 3/4"	11 3/4"	11795	18419-8	16182-5	2640-40B-100
11 3/4"	11 3/4"	11796	18419-9	16182-2	2637-140
11 7/8"	11 3/4"	11796	18419-9	16182-16	2651-140
13 3/8"	14"	11797	18419-10	16182-10	2636-40B-100
13 1/2"	14"	71228	18419-12	16182-12	2652-40B-100
13 5/8"	14"	71228	18419-12	16182-15	2653-40B-100
13 3/4"	14"	71228	18419-12	16182-13	2655-40B-100
14"	14"	15939	18419-11	16182-9	2635-140

750 TON CAPACITY 16" TO 24 1/2"

- 16180 Elevator / Spider [Manual] Less Slips and Guides
- 19001 Bell Guide Kit
- 16552 Spider Adapter Plate
- 11881 Airline & Filter Assembly

CASING SIZE	SLIP BODY SIZE	ELEVATOR BOTTOM GUIDE	SPIDER TOP GUIDE	SLIP SET	INSERT SET
16"	16"	16184	73138	16181	2635-210
18 5/8"	18 5/8"	15794	73137	16179	2668-210
20"	20"	15793	73136	16178	2635-210
24"	24"	15792	73135	16900	2635-210

CASING SPIDERS — KELLY SPINNERS

HINGED CASING SPIDER - 200/250 TON - 3" TAPER

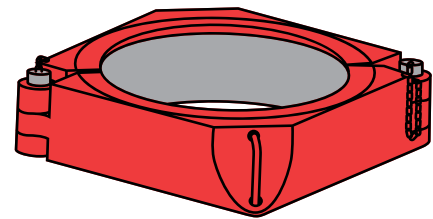
PART NO.	DESCRIPTION	WEIGHT
7704-A-167	36" Hinged Casing Spider	1100
7704-A-161	30" Hinged Casing Spider	1868
7704-A-130	20" Hinged Casing Spider	1614
7704-A-79	13 3/8" Hinged Casing Spider	950

▶ Reducing Bushings - 200 / 250 Ton Hinged Casing Spider

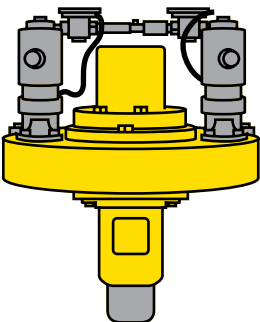
PART NO.	DESCRIPTION	WEIGHT
7704-A-165	30" X 16"	980
7704-A-164	30" X 20"	850
7704-A-163	30" X 24"	755
7704-A-162	30" X 26"	605
7704-A-134	20" X 16"	395
7704-A-136	20" X 13 3/8"	480
7704-A-80	13 3/8" X 10 3/4"	160
7704-A-81	13 3/8" X 8 5/8" - 4" Taper Inside	240

▶ OTHER SIZES AVAILABLE

CASING SPIDER



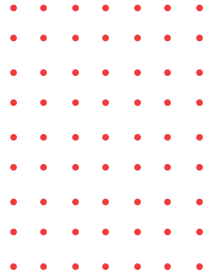
KELLY SPINNER



KELLY SPINNER PNEUMATIC / HYDRAULIC

PART NO.	THREAD CONN. (PIN & BOX)	MAX TORQUE	MAX SPEED FREE SPIN	UNIT WEIGHT	CRATED DIMENSIONS	POWER REQUIREMENTS FREE SPIN
200201-1	6 5/8 API Regular Left Hand Pneumatic	1800 FT LB	150 RPM	1110	35" X 37" X 40"	5.5 CFS@ 90 - 120 PSI
200201H-1	6 5/8 API Regular Left Hand Hydraulic	1800 FT LB	150 RPM	1048	35" X 37" X 40"	-

TUBING — POWER UNITS



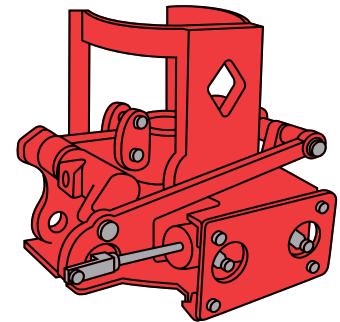
TUBING SPIDER PNEUMATIC / MANUAL

PART NO.	TYPE	SIZE (INCH)	WEIGHT	TONNAGE
86500	C	1.315 - 5 1/2	348	83
16500HD	C Heavy Duty	1.315 - 5 1/2	348	125

ACCESSORIES

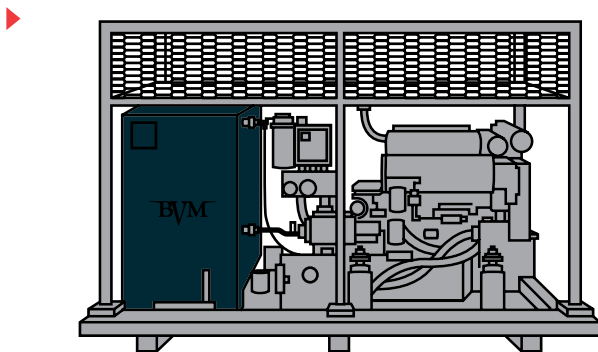
565622-100	Slip Body 3 1/2	1.315 - 3 1/2	-	83 & 125
565652-1.315	Insert Set	1.315	-	83 & 125
565652-1.660	Insert Set	1.660	-	83 & 125
565652-1.900	Insert Set	1.900	-	83 & 125
565652-2.060	Insert Set	2.060	-	83 & 125
565652-1	Insert Set	2 3/8	-	83 & 125
565652-2	Insert Set	2 7/8	-	83 & 125
565652-3	Insert Set	3 1/2	-	83 & 125
865623-100	Slip Body 4 1/2	3 1/2 - 5 1/2	-	83 & 125
865653-1	Insert Set	3 1/2	-	83 & 125
865653-2	Insert Set	4	-	83 & 125
865653-3	Insert Set	4 1/2	-	83 & 125
865624-4	Slip Body 4 3/4	4 3/4	-	83 & 125
865624-1	Slip Body 5	5	-	83 & 125
865624-2	Slip Body 5 1/2	5 1/2	-	83 & 125
65300	Air Hose Set	-	-	83 & 125
65200-100	Foot Control Valve W/ Cover	-	-	83 & 125

TUBING SPIDER



BVM manufactures tubing spiders in pneumatic, hydraulic and manual configurations. Both, the pneumatic and hydraulic, can be operated manually as well. There are units with 83 ton capacity, 125 ton capacity and 350 ton capacity. The size range for either unit is 1.315" to 5 1/2". They are manufactured to API 7K.

POWER UNITS



HYDRAULIC POWER UNITS

DIESEL UNITS AVAILABLE WITH DEUTZ 4 - 5 - 6 CYLINDER ENGINES WITH OR WITH OUT TURBO

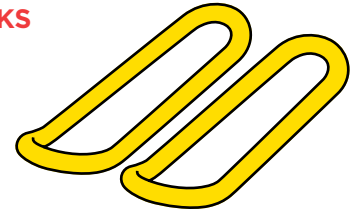
ELECTRIC POWERED UNITS AVAILABLE IN MULTIPLE HORSE POWER, VOLTAGE AND PHASE REQUIREMENTS

BUILT TO SUIT - SKID MOUNTED OR TRAILER - WITH TOOL BASKET - TANDEM ENGINE AND PUMP



ELEVATOR LINKS (BAILS)

ELECTRO WELD LINKS



WORK OVER LINKS STANDARD - BIG EYE

PART NO.	SIZE - LENGTH	RATED CAP. TONS	WEIGHT PER SET
17536	1 3/4" - 36"	150	125
17548	1 3/4" - 48"	150	216
17560	1 3/4" - 60"	150	390
17572	1 3/4" - 72"	150	324
17584	1 3/4" - 84"	150	429
17596	1 3/4" - 96"	150	310
178108	1 3/4" - 108"	150	350
175120	1 3/4" - 120"	150	390

▶ OTHER SIZES AVAILABLE

LINKS - BIG EYE

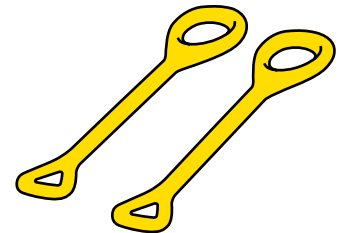
PART NO.	SIZE - LENGTH	RATED CAP. TONS	WEIGHT PER SET
22560-BE	72 1/4" - 60"	250	480
22572-BE	2 1/4" - 72"	250	530
22584-BE	2 1/4" - 84"	250	580
22596-BE	2 1/4" - 96"	250	630
225108-BE	2 1/4" - 108"	250	870
225120-BE	2 1/4" - 120"	250	745
225132-BE	2 1/4" - 132"	250	792
225144-BE	2 1/4" - 144"	250	875
27560-BE	2 3/4" - 60"	350	620
27572-BE	2 3/4" - 72"	350	685
27584-BE	2 3/4" - 84"	350	740
27596-BE	2 3/4" - 96"	350	805
275108-BE	2 3/4" - 108"	350	870
275120-BE	2 3/4" - 120"	350	935
275132-BE	2 3/4" - 132"	350	1000
275150-BE	2 3/4" - 150"	350	1095
275168-BE	2 3/4" - 168"	350	1190
275180-BE	2 3/4" - 180"	350	1278
275192-BE	2 3/4" - 192"	350	1340
275216-BE	2 3/4" - 216"	350	1450
275240-BE	2 3/4" - 240"	350	1580
350108	3 1/2" - 108"	500	1450
350132	3 1/2" - 132"	500	1670
350144	3 1/2" - 144"	500	1780
350160	3 1/2" - 160"	500	1927
350168	3 1/2" - 168"	500	2000
350180	3 1/2" - 180"	500	2110
350192	3 1/2" - 192"	500	2202
350264	3 1/2" - 264"	500	2882

ELECTRO WELD LINKS

PART NO.	SIZE - LENGTH	RATED CAP. TONS	WEIGHT PER SET
87518	7/8" - 18"	20	15
87524	7/8" - 24"	20	20
12526	1 1/4" - 26"	50	41
12530	1 1/4" - 30"	50	47
12536	1 1/4" - 36"	50	53
12540	1 1/4" - 40"	50	68
12548	1 1/4" - 48"	50	73
12560	1 1/4" - 60"	50	94
12572	1 1/4" - 72"	50	118
15030	1 1/2" - 30"	60	125
15048	1 1/2" - 48"	60	127
15060	1 1/2" - 60"	60	132
18030	1 3/4" - 30"	80	155
18036	1 3/4" - 36"	80	170
18042	1 3/4" - 42"	80	180
18048	1 3/4" - 48"	80	190
20042	2" - 42"	100	180
20048	2" - 48"	100	200
20060	2" - 60"	100	240
20072	2" - 72"	100	280
20084	2" - 84"	100	320

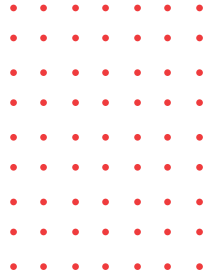
▶ OTHER SIZES AVAILABLE

ELEVATOR LINKS



ALL **ELEVATOR LINKS** ARE LOAD TESTED TO 150% OF RATED LOAD AND ARE CERTIFIED BY **BVM** TO API 8C SPECIFICATIONS AND STANDARDS.

PICK UP – LAYDOWN MACHINE



PICKUP LAYDOWN (PULD)*

BVM-LDM28 PU DESIGNED FOR WORK OVER RIGS Patent Pending (Skid Type)

LENGTH - 39 FT / WIDTH - 40 IN HEIGHT (Lowered) - 36"

LIFTING CAPACITY - Range 2 & 3 Pipe 2 3/8" - Tubing to 7 5/8" Casing

MAX. LIFTING CAPACITY - 2500 lbs Ability to reach rig floor 6 to 27' 8"

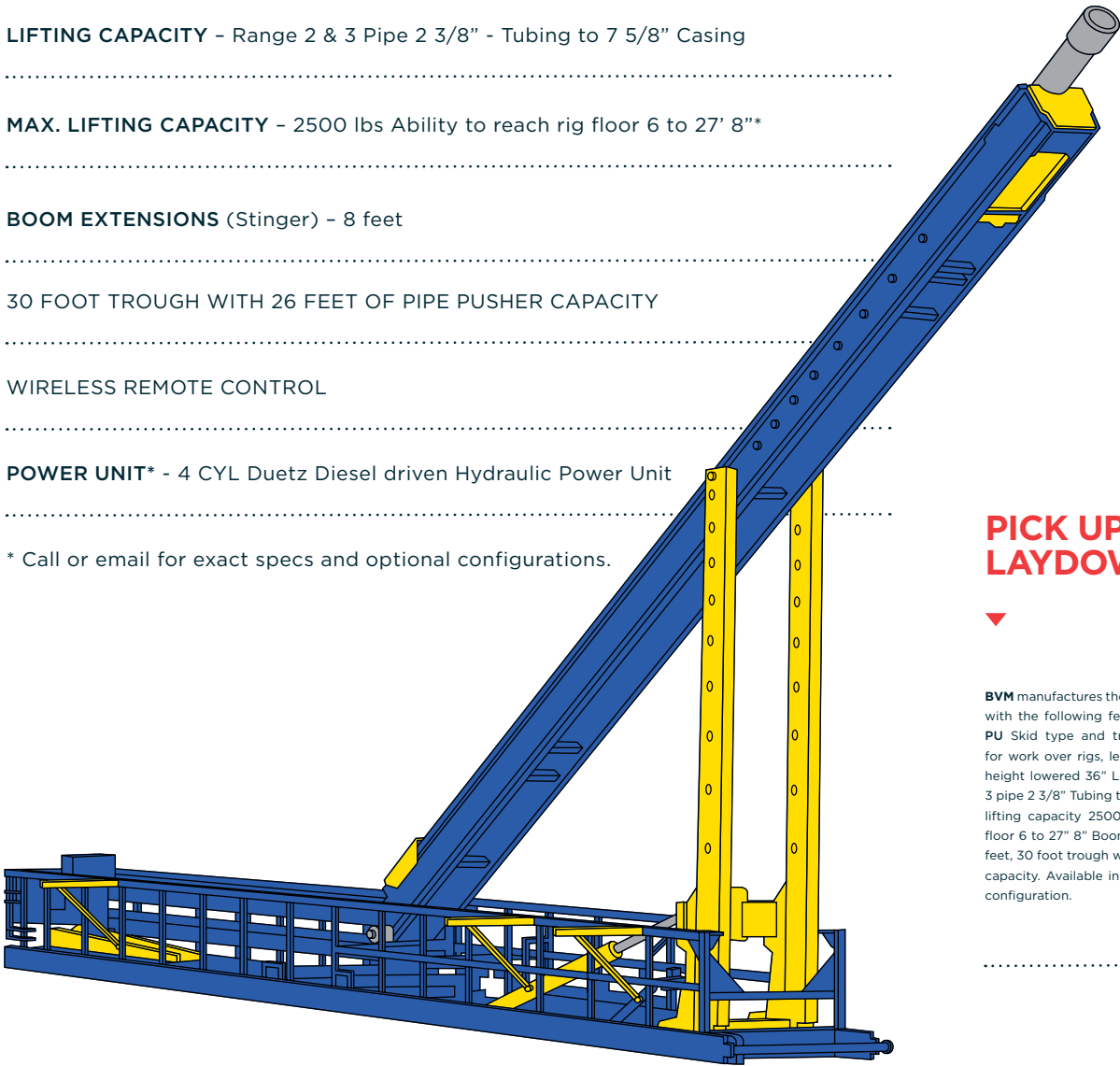
BOOM EXTENSIONS (Stinger) - 8 feet

30 FOOT TROUGH WITH 26 FEET OF PIPE PUSHER CAPACITY

WIRELESS REMOTE CONTROL

POWER UNIT* - 4 CYL Duetz Diesel driven Hydraulic Power Unit

* Call or email for exact specs and optional configurations.



PICK UP LAYDOWN



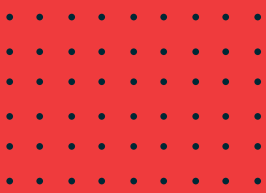
BVM manufactures the Pickup laydown machine with the following feature Model **BVM-LDM28 PU** Skid type and trailer mounted, designed for work over rigs, length 39 ft., width - 40 in height lowered 36" Lifting capacity Range 2 & 3 pipe 2 3/8" Tubing to 7 5/8" Casing maximum lifting capacity 2500 lbs. Ability to reach rig floor 6 to 27' 8" Boom extensions (stinger) - 8 feet, 30 foot trough with 26 feet of pipe pusher capacity. Available in wireless or manual valve configuration.



TERMS, CONDITIONS & WARRANTY

PURCHASE ORDERS

All orders must be accompanied by a purchase order or our Sales Acknowledgement form signed and faxed back to us. We will not accept verbal orders without written confirmation.



TERMS OF PAYMENT:

All payments are due as set forth on the front of this invoice. All late payments will be assessed a 2% per month finance fee and a \$50 [fifty] rebilling fee for each rebilling fee sent. If **BVM** must initiate action to collect unpaid money, **BVM** shall be awarded collection costs including but not limited to attorney's fees and costs. Buyer agrees to allow **BVM** or BVM's agent to enter the property of the Buyer where property is located and remove equipment if payments are not made as set forth in this invoice. Buyer agrees that **BVM** need not give notice or file an action to remove equipment if equipment is not paid as set forth herein.

ACCEPTANCE OF GOODS:

The buyer's receipt of equipment for a period of ten [10] days without written objection, shall be conclusive evidence of acceptance of equipment by Buyer and shall be deemed and construed as conclusive evidence that such equipment is as herein represented and shall be deemed as conforming goods.

JURISDICTION & ARBITRATION:

This agreement and the law regarding the interpretation and enforcement of this agreement shall be held in accordance to laws of the State of Colorado. Both parties to this agreement submit themselves to the jurisdiction of the State of Colorado.

If a dispute arises regarding this purchase, invoice or any related subject or item between **BVM** and Buyer, both parties agree to submit themselves to final and binding arbitration according to the laws and interpretations of the State of Colorado and the American Arbitration Association in Denver, Colorado. SEVERABILITY AND WAIVER:

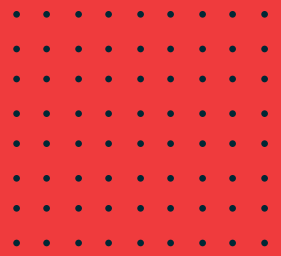
The partial or complete invalidity of any one or more provisions of this agreement shall not affect the validity of continuing force and effect of any other provisions. The failure to either party hereto to insist, in any one or more instances, upon the performance of the terms, covenants or conditions of this agreement, or to exercise any right herein, shall not be construed as a waiver or relinquishment of such term, covenant, condition or right as with respect to further performance.

RETURNS:

No materials purchased hereunder shall be returned without Return Materials Authorization Number [RMA] from our Quality Control Department. Standard restocking fee charge shall be 20% of the invoice price. All returns shall be freight prepaid unless otherwise approved. Equipment returned under warranty must be returned on a designated freight carrier of **BVM**.

WARRANTY:

Equipment sold by **BVM Corporation Inc.** is warranted against manufacturer's defects for the period of 12 months from the first use or 18 months from original sale from **BVM** Corporation or their authorized reseller, whichever is less. If the equipment supplied fails to conform to specifications or is proven to be defective, **BVM** Corporation Inc. will issue a Return Material Authorization for goods to be returned for repair or replacement at our option, without cost to the original purchaser, or upon agreement of both parties, the repayment of the purchase price may be issued. This shall constitute Purchaser's sole and exclusive remedy. Purchaser will notify BVM Corporation in writing of any equipment which does not conform to specifications within 30 days of delivery or field failure. If purchaser fails to give proper notification the terms of this warranty may become null and void. € Goods may be returned at the expense of **BVM** Corporation Inc. only when an authorized RMA has been issued by **BVM** Corporation Quality Assurance Dept. If faulty equipment is received by **BVM** and it is found that the equipment has malfunctioned due to lack of maintenance or excessive wear and tear, purchaser will be billed for all shipping costs and any repairs agreed upon between **BVM** quality dept. and purchaser. **BVM** Corporation Inc. shall have no liability whatsoever for incidental or consequent damages, resulting from personal injury, property damage or shutdown due to product modification or unauthorized repairs. Purchaser hereby agrees to indemnify **BVM** Corporation Inc. from all liability arising from the purchaser's improper use or operation of equipment manufactured or sold by **BVM** Corporation Inc.



sales@bvmcorp.com

Denver Office 303 975 1402

—

Latin America 713 689 0879

Toll Free 877 975 1402

BVMCORP.COM

Authorized Canadian Dealer:



9415 - 27 Avenue NW | Edmonton, AB | T6N 1C9
Tel: 780.440.0074 | TF: 1.866.448.0074
E: info@hamdon.net www.hamdon.net