

Outdoor Living Solutions for Your Home and Business

Everything you need in one place to develop your outdoor living space.



Your outdoor living solution should directly reflect your needs, as well as your lifestyle.





Bioclimatic *Pergola* Range

The Creators of the Bioclimatic Pergola

We have teamed up in partnership with SOLISYSTEME to bring you two fantastic Bioclimatic Pergolas...The REFERENCE and The ELEGANCE.

SOLISYSTEME is the original inventor of the Bioclimatic Pergola and have been manufacturing these iconic structures since 1998 and to this day is a family run business.

SOLISYSTEME are now world renowned for quality, innovation and durability and held the original patent for the louvered structure from 1998 to 2008, all of their aluminium profiles are subject to the Qualicoat and Qualimarine standards which guarantees quality and durability over time and give an impeccable finish.



The Bioclimatic Concept... The Bioclimatic Pergola is an original and exclusive concept that provides you with an entirely new living space. To be able to quickly shape your environment to enhance your outdoor experience with stylish weather protection, is truly a leap forward...

***Protection...Ventilation...Control...
Brightness***

WARRANTY

The ELEGANCE and the REFERENCE both come to you complete with a 10 year guarantee on the structures and louvers plus a 3 year guarantee on mechanisms for complete piece of mind.

Play with light and shade

- Customised and scalable aluminium structures
- Manual or motorised versions
- Wall mounted or free standing
- Compatible with a range of accessories
- Can be adapted to all types of architecture
- Rainwater drainage tested up to 230mm/h
- Wind resistance tested up to 180km/h (CSTB)
- Load resistance tested up to 300kg/m²

Take advantage of the best from the outside

The Bioclimatic Pergola invented by SOLISYSTEME is an original and exclusive concept that gives you a whole new living space. Your terrace becomes a real extension of your interior for an outdoor lifestyle. Temperature, freshness or sunshine intensity can be modulated to suit your mood or to tame the weather. You can naturally adjust the ambience of adjoining rooms simply by regulating the rays of the sun.

Based around our REFERENCE structure, you will benefit from an understated, modular, robust and elegant finish. It fits perfectly into classic, modern or avant-garde architecture. You will be able to prolong your evenings by creating beautiful nocturnal atmospheres with our new integrated LED lighting.



PROTECTION
Protects from harmful sunlight and offers complete cover from poor weather conditions.



VENTILATION
Provides ventilation to prevent hothouse heat build-up whilst retaining shade.



CONTROL
Regulates the temperature of adjoining rooms by controlling sunlight intensity and direction.



BRIGHTNESS
Adjusts the intensity of the daylight to enable enjoyment of low-light hours.



option 1



The **REFERENCE** Pergola

The REFERENCE is the most cost effective Bioclimatic Pergola that we offer, we have a large range of standard structures within the range and bespoke sizes available.

**Maximum distance post to post is 7150mm
Blades are up to 4m long**

There are also 4 lighting options consisting of LED spots, integrated downlight strips inside of the beams, strip light up lighting options and an effective gutter strip lighting system.

Colours Options

All standard fixed size pergolas are supplied either in RAL 9010 White or RAL 7016 Grey for the frame or the louvers.

Optional Upgrades

- Lateral Zip Screens with Somfy motors
- Sliding glass panels
- Integrated LED strip or spot lighting
- Adjustable vertical Brise Soleil shading options
- Heaters

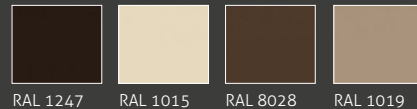
Roof blade units can be joined together to create unlimited length and width



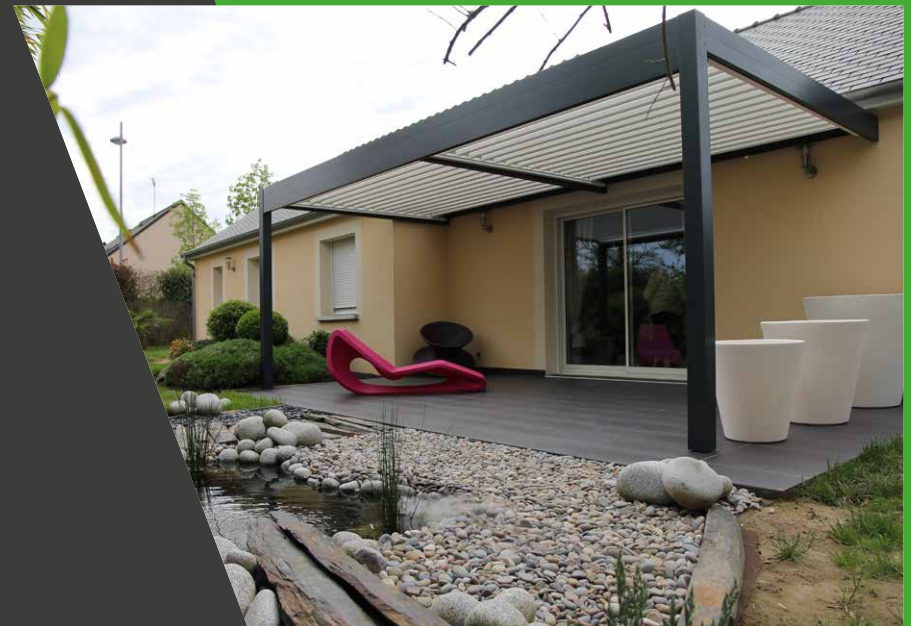
RAL 9010 RAL 7016



RAL 9010 RAL 7016 RAL 9005 RAL 7037 RAL 9006



RAL 1247 RAL 1015 RAL 8028 RAL 1019



option 2



The **ELEGANCE** Pergola

Enjoy your stylish terrace in all weathers with its clean lines and unique design, the ELEGANCE will create a genuine outdoor living space in any weather.

**Maximum distance post to post is 7225mm
Blades are up to 4m long**

The ELEGANCE finish offers a truly customisable peripheral frame and creates a truly personal look, choose from a range of standard laser cut designs to enhance the structure.

- **Hidden hardware and fasteners**
- **Innovative posts for the integration of electronic components**
- **Compatible with all the standard Bioclimatic accessories**
- **Integrated LED strip lighting**
- **Standard or bespoke laser cut options**

Roof blade units can be joined together to create unlimited length and width

Colours Options

All standard fixed size pergolas are supplied either in RAL 9010 White or RAL 7016 Grey for the frame or the louvers.



All bespoke pergolas are available in 9 standard colours for the frame and either RAL 7016 grey or RAL 9010 white for the louvers.





Zip Screens

Pergola Accessories

Your terrace is ready for the summer but who said that your Pergola was only for the summer season?

Our options for customisation lets your customers enjoy their terrace every day of the year, whatever the season. Glass walls, side blinds, lighting, heating or a fireplace - you can be outside with all the creature comforts of being inside.

No matter if it's hot or cold outside, you can still be in your garden enjoying even the slightest rays of sunshine.

With the remote control in hand, the accessories of your pergola will obey their every command to master the elements.

Optional Upgrades

- Lateral Zip Screens with Somfy motors
- Sliding glass panels
- Integrated LED strip or spot lighting
- Adjustable vertical Brize Soleil shading options
- Heaters



Spot Lighting

Pergola Formats



Inclined structure



Self-standing



Built-in structure



Wall mounted



LED Strips



The *Bioclimatic* Glass Room

The Bioclimatic Glass Room is the ultimate in modern design, this truly individual solution can be configured to meet any design requirements.

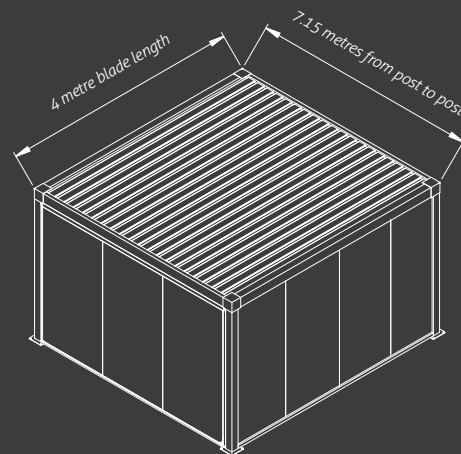
It is available with fixed glass panels, sliding glass doors, vertical zip screens, LED lighting and adjustable louvered vertical panels. You can be assured that there is a solution that will meet your customers requirements.

With this system the end user really has the best of both worlds, they can simply open the doors or adjust the louvers in the roof for ultimate control over their outdoor experience.



"We love the "wow" factor of our pergola and the versatility that it brings. Adding the glass doors create the ultimate garden room which is a comfortable space all year round. It's the envy of the neighbourhood!"

**MR & MRS TOWNSHEND
ST. ALBANS, HERTS**



The *Retractable* Verandas

A retractable veranda gives you the choice of shelter from the elements and the freedom of the skies.

With 2 fantastic retractable options to choose from, The Pergolino and the Mini 90.

The Pergolino is designed for shade from the sun and is available in 3 colours to match most surroundings. Available up to 5m projection and 5m bays to enable you to go any length, it is quick to install and looks stunning. These structures come complete with Somfy motors and controls for peace of mind.

Our retractable Mini 90 veranda uses a durable PVC fabric that can withstand all weathers so is the ideal alternative for when glass or polycarbonate is not desired.

This motorised roof can be set at any point on the guide rails to give you complete control of how much shade or rain protection you require, maximising your comfort in your outdoor area.

With a wide range of upgrades available and four beautiful colours as standard, this product will not only enhance your home, but also your enjoyment of your home.

The mini 90 is capable of covering some impressive dimensions with minimum fuss and material so you can still maximise your garden or commercial area.

There are fantastic lighting options that allow you to enjoy the product all day and night as well as all year round in the form of spot or strip LED's in a choice of white or RGB if you fancy something a bit different. For extra protection from the elements, the Skipper vertical blind is a fantastic upgrade that can be added to all 3 side to create a garden room that is both attractive and versatile.

Our retractable verandas will not only enhance your home, but also your enjoyment of your home.



2 options

Your terrace becomes a real extension of your interior for an outdoor lifestyle.



The Mini 90



The Pergolino

Our retractable Mini 90 verandas have fantastic lighting options that allow you to enjoy longer evenings.





The *Mini 90*

Mini 90 is a retractable awning, custom made from aluminum for sun and rain protection. The structure may be fixed to the wall or the ceiling with stainless steel brackets.

The wind resistance is guaranteed up to a minimum grade 6 on the Beaufort scale (class 3 - UNI EN 13561: 2009, EN 13782: 2006 and the Structural Eurocodes). The Mini 90 version with 4 runners achieves a maximum width of 14 meters. And a projection of 5.5 meters at 12 metres long. The fabric is mounted on intermediate profiles that slide on rollers housed inside the runners and is driven by a motor with a steel stranded pulley belt.

The handling system takes place via a tubular Somfy motor with coaxial transmission, which allows for greater ease of assembly and maintenance.

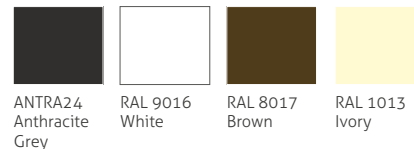
PVC profiles that prevent the water ingress are provided as a standard on all runners. The structure is available in exclusive anthracite, white RAL9016, ivory RAL1013 and brown RAL8017; intermediate profiles in white and ivory. Accessories are made of stainless steel AISI 304 and the aluminum awning protection covers are painted to match the structure.

Furthermore Mini 90 is fitted with a standard aluminium gutter that allows to fix the runners internally with special brackets.



Colours Options

All standard Mini 90 frames are supplied either in ANTRA24 Anthracite Grey, RAL 9016 White, RAL 8017 Brown or RAL 1013.



Benefits

A ROBUST AND RELIABLE MOTOR

Mini 90 uses the best tubular motor series Somfy Pergola iO, which is installed as standard.



A GABLE DESIGNED TO MAXIMISE THE WEATHER PROTECTION

The gable profile is designed to adapt to different kinds of infill: fabric, Cristal Clear or PVC, or a rigid material like polycarbonate.



SIDE BEAM TO THE GUTTER

By installing a side beam this allows you to install side screens for extra weather protection.



QUICK AND SAFE CONNECTION FOR WALL MOUNTING

A buttonhole in the upper part of the wall bracket allows the quick coupling of the runner. Therefore the Mini 90 is quick and safe to install.



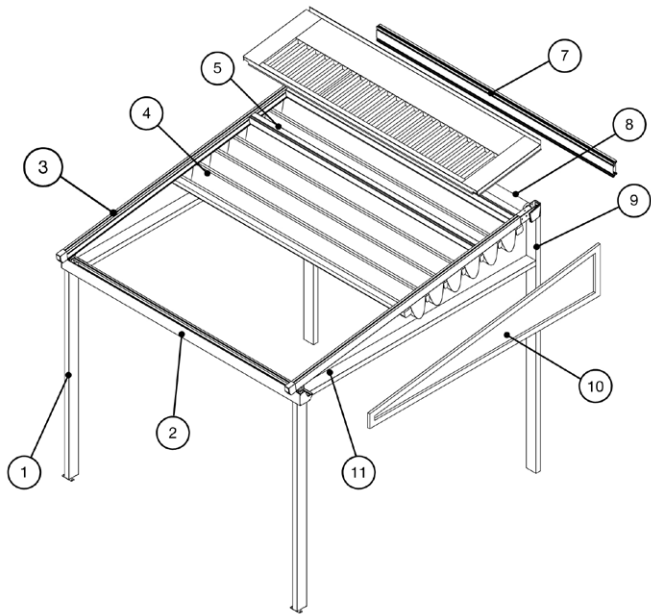
The Skipper horizontal screens give perfect protection from the elements.

GREAT COVERAGE

The size of the structure reaches a maximum width up to 14m with a projection of 4m and 12m at 5.5m projection.

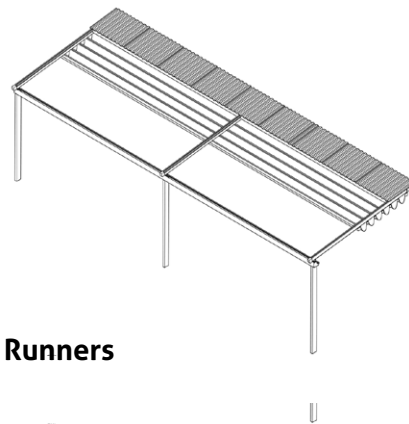


Views

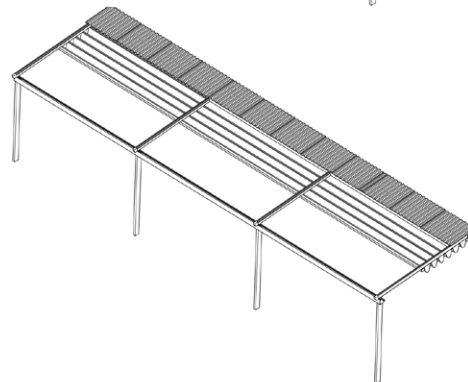


- 1. Pillar
- 2. Gutter
- 3. Runner
- 4. Fabric Cloth
- 5. Awnings Protection Cross Beam
- 6. Awning Protection
- 7. Additional Wall Beam (optional)
- 8. Transmission Group
- 9. Wall Pillar (optional)
- 10. Gable (optional)
- 11. Side Beam (optional)

3 Runners



4 Runners





The *Skipper* Plus 500 Horizontal Side Screens

Skipper 500 is a vertical roll-up closure with zip system on the side runners, which makes it suitable for protection from sun, rain and wind.

The structure is made of aluminum and is guaranteed up to grade 7 on the Beaufort scale up to 350cm x H 250 cm (class 3 - UNI EN 13561: 2009, EN 13782: 2006 and the Structural Eurocodes).

Skipper 500 has an easy access housing and is equipped with an outer upper seal, that is suitable for the perfect alignment of the profile with the ceiling.

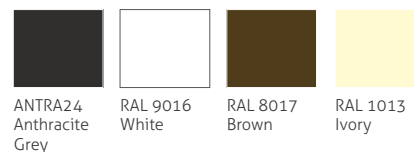
The runners, with a spring compensation mechanism, allow the structure to adapt to alterations in width and stress suffered by the cloth up to 4 cm.

The type of fabric depends on the size of the structure and may reach up to a maximum width of 5.5m and a maximum height of 3.5m. Skipper 500 can be moved by manual with a crank handle, or motorised for ease of use.

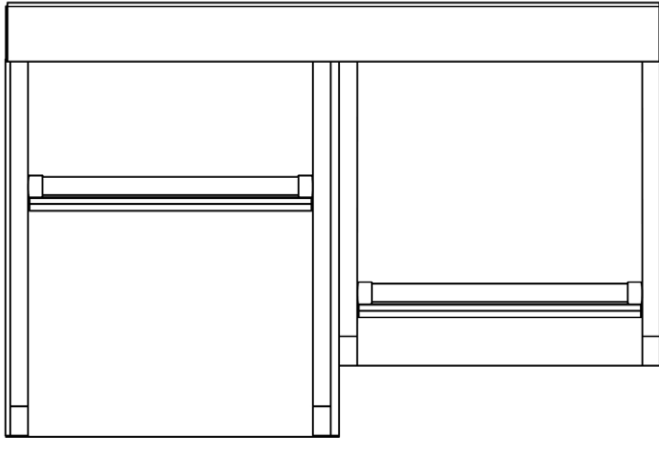


Colours Options

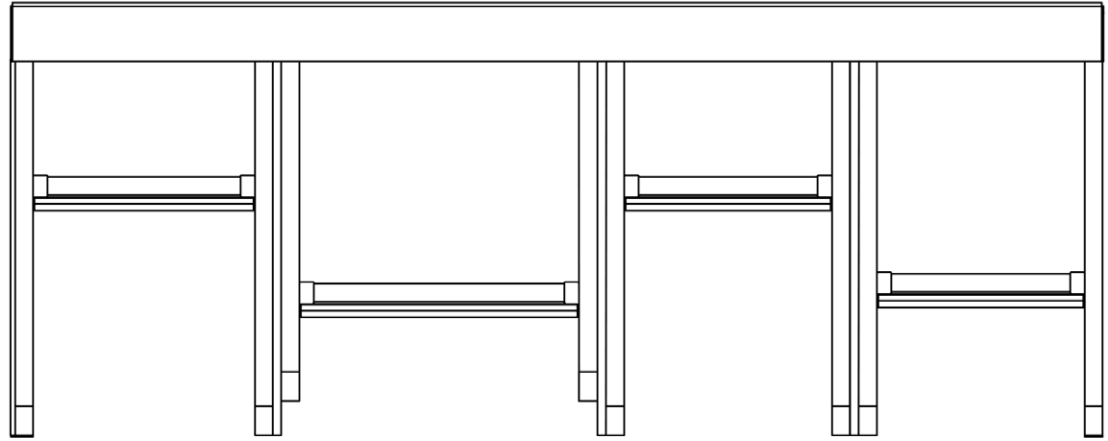
All standard Mini 90 frames are supplied either in ANTRA24 Anthracite Grey, RAL 9016 White, RAL 8017 Brown or RAL 1013.



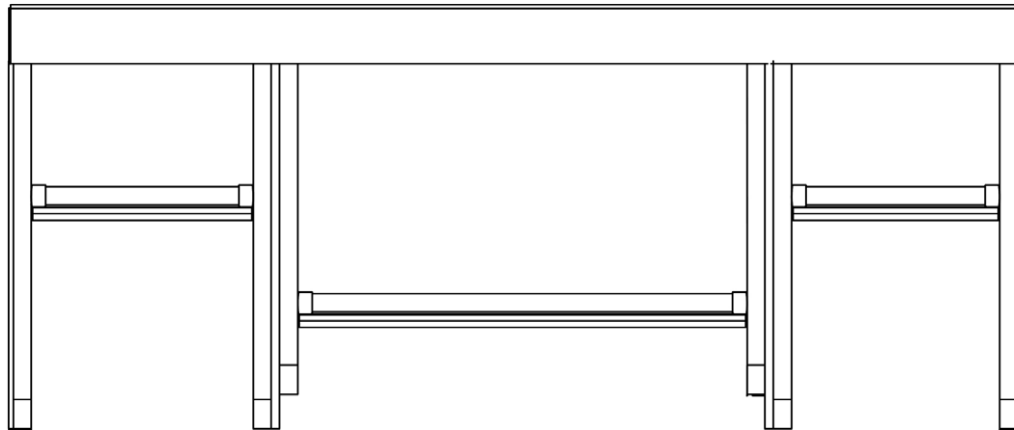
Skipper 500 Modular



Solution with 2 modules at different heights



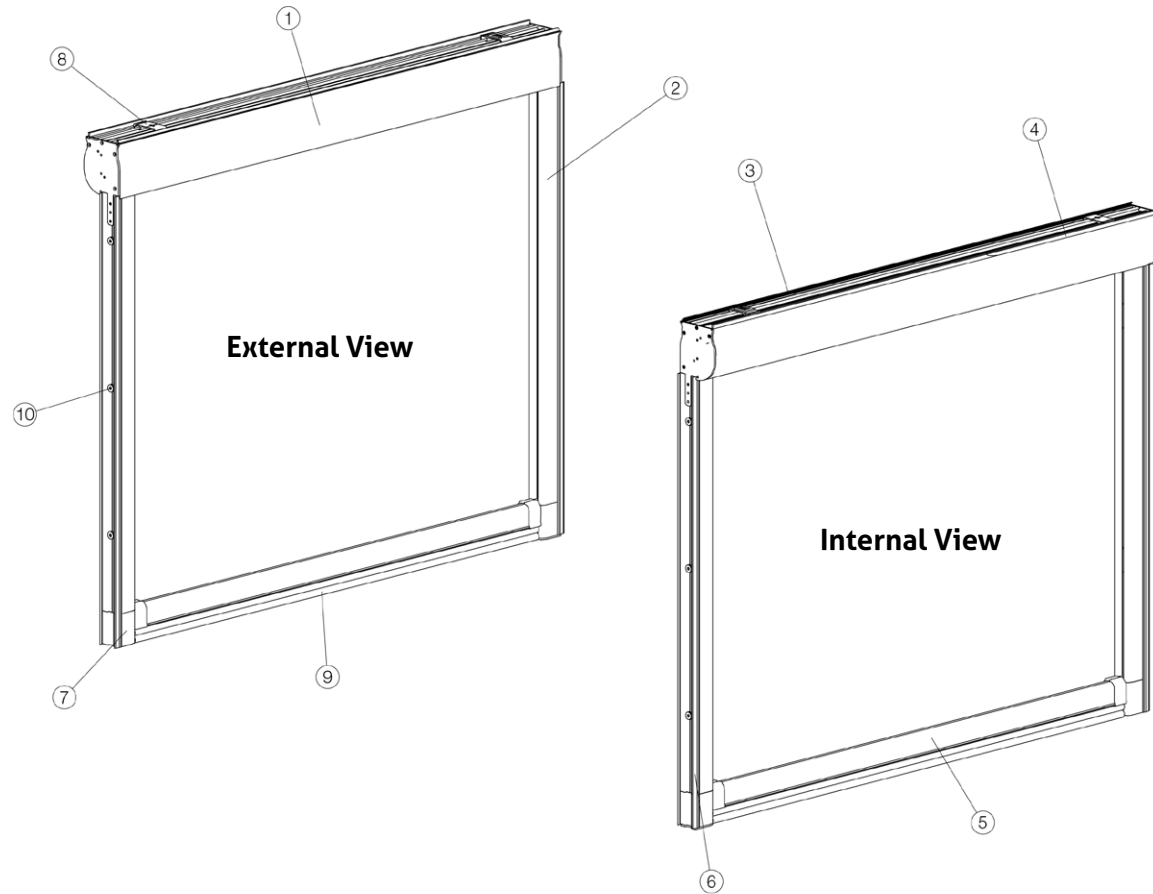
Solution with 4 modules at different heights and widths



Solution with 3 modules at different heights and widths

Max overall dimensions: L 600 x H 350 cm
Max dimensions per single module: L 500 cm

Views



- | | |
|-------------------------|------------------------------|
| 1. Housing | 6. Lateral Seal |
| 2. Runners | 7. Locking Mechanism |
| 3. Upper External Seal | 8. Overhead Anchorage |
| 4. Upper Internal Brush | 9. Bottom Seal |
| 5. Bottom | 10. Telescopic Screw Bushing |



The *Pergolino*

The Pergolino provides protection from bright sunshine as well as light rain and is the ideal solution for your garden, restaurants, bars and cafes. The Pergolino can project up to 5m projection and any length.

Stability

Due to its high quality and robust construction using the best components, the Pergolino is a very stable structure.

Comfort and protection

Summer rain will never again surprise the guests of restaurants or families at a weekend barbecue. You may enjoy additional space around your home, protected from sun, wind and rain.



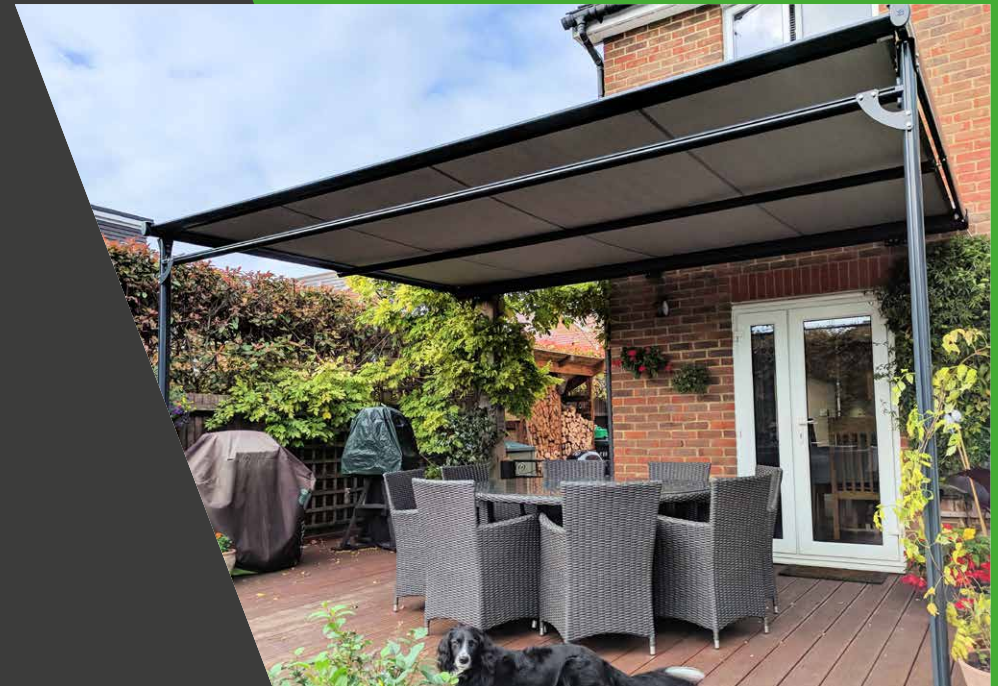
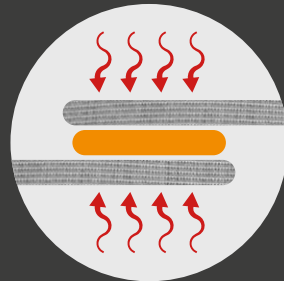
Wide range of colours

Choose from our extensive range of colours. For standard and additional colours please visit our website.

Thermal gluing of fabrics

The fabric is bonded together with a modern hot glue technique using only the highest quality PUR-based reactive glue.

Each Pergolino awning comes with a 2 year guarantee, 5 years warranty on fabric and 5 years on Somfy motors (all subject to terms and conditions).



The *Awning* Range

We offer a range of high end retractable awnings. These are designed to complement the other fixed glass and polycarbonate solutions we have. Using only the finest Somfy Motors and Dickson Fabrics, they are designed to last in the commercial and domestic markets.

The Palladio

The Palladio is a stylish awning which retracts into a compact cassette when not in use. The neat design ensures the Palladio is unobtrusive but can be easily and quickly extended to create shade during sunny weather or offer shelter from wind and rain.

The Nordic

The Nordic awning fits seamlessly into any setting, creating shade and shelter in even the most adverse weather. It can also be configured with an added feature of being able to adjust the inclination of the awning, which is useful depending on the angle of the sun at different times of the day.

The Heston

The Heston is our luxury awning range that is capable of impressive spans and projections. It comes in an attractive array of colours and uses cutting edge Para Tempotest Starlight fabric for durability and protection from the sun and light rain.

The Apollo

The Apollo Awning is a back to back, multi-purpose awning suitable for large outdoor areas.

Window Awning

Window awnings are an ideal solution for detached houses, restaurants, cafés and small shops. It protects against penetration of sunlight. Moreover, it decorates a building and is easy to use with its perfect functioning system provided by high quality manual or electric drive.

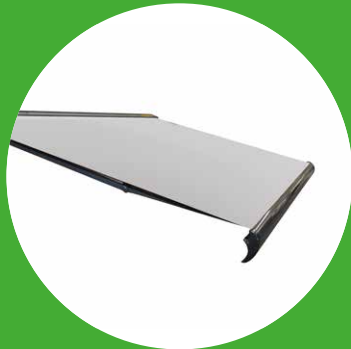
Outdoor spaces always present a challenge of form or function, we need to make sure you have a variety of different options and solutions to suit any environment or customers expectation.

The awning range allows you to offer retractable solutions in a range of sizes, shapes and colours to meet most requirements.



5 options

Our retractable awnings are designed to compliment the other solutions we have.



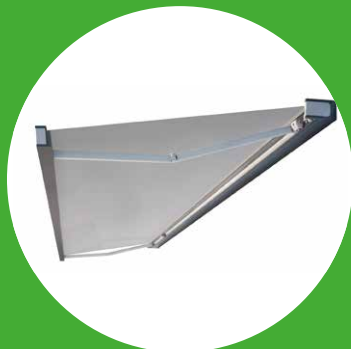
The Palladio



The Nordic



*The Window
Awning*



The Heston



*The Apollo
Awning*



option 1



The *Palladio*

The Palladio is a stylish awning which retracts into a compact cassette when not in use. The neat design ensures the Palladio is unobtrusive but can be easily and quickly extended to create shade during sunny weather or offer shelter from wind and rain.

Precision

High quality design ensures smooth and reliable operation of the flyer chain within the arm. We also ensure the fabric is stretched evenly by using special tensioning mechanisms.

Wide range of colours

Choose from our extensive range of colours. For standard and additional colours please visit our website.

Automatic options

Choose the automation that suits your requirements with our intelligent solar or wind sensor options.

Fabric protection

Our unique design means our awnings are tightly rolled and completely protected inside the cassette.

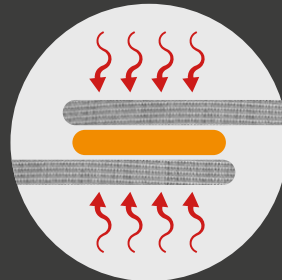
Thermal gluing of fabrics

The fabric is bonded together with a modern hot glue technique using only the highest quality PUR-based reactive glue.

Vario Volant

Vario Volant is an unrolling ruffle, which is discreetly concealed in the front section of the awning. It provides protection against the low sunset and guarantees privacy and comfort. It can be used both with the Palladio and Nordic awnings.

Each Palladio awning comes with a 2 year guarantee, 5 years warranty on fabric and 5 years on Somfy motors (all subject to terms and conditions).



option **2**



The *Nordic*

The Nordic awning is available 7m long x 3.6m projection and fits seamlessly into any setting, creating shade and shelter in even the most adverse weather. It can also be configured with an added feature of being able to adjust the inclination of the awning, which is useful depending on the angle of the sun at different times of the day. The Nordic is a popular choice for all environments due to its elegantly simple design and robust construction.

Precision

By creating a shaded and sheltered outdoor area you can protect your expensive garden furniture which can quickly deteriorate if left to the elements.

Control options

Choose the best automatic control options to suit your needs. Optional sunlight and wind sensors as well as the ability to manually alter the inclination of the awning.

Wide range of colours

You can choose from a vast range of colours depending on whether you want the awning to blend in, or contrast with

the existing architecture and surroundings. Choose from our extensive range of colours. For standard and additional colours please visit our website.

R-Pitch

R-Pitch is an additional option for the Australia awning which enables the inclination of the awning to be manually adjusted with the use of a crank.

Thermal gluing of fabrics

The fabric is bonded together with a modern hot glue technique using only the highest quality PUR-based reactive glue.

Vario Volant

Vario Volant is an unrolling ruffle, which is discreetly concealed in a front section of the awning. It provides protection against the low sunset and guarantees privacy and comfort. It can be used both with the Palladio and Nordic awnings.

Each Nordic awning comes with a 2 year guarantee, 5 years warranty on fabric and 5 years on Somfy motors (all subject to terms and conditions).

Optional protective aluminium hood



Window *Awnings*

The stylish and simplistic Window Awning has been designed to create shade and shelter to your home. It is made completely from aluminium and high quality Dickson fabric. You are given the choice of manual or electronic operation at the time of ordering to suit your needs.

The precise design ensures the Window Awning is unobtrusive, and can be easily and quickly installed to create instant shade. It is the perfect window shade solution for detached houses, restaurants, cafés and small shops.

"Really happy with our awning, it was the best thing we could have done, it has transformed the side of the bungalow and my husband said your installers did a great job"

**MRS. ROSALYN GILES
ALDERSHOT, HAMPSHIRE**



option **3**

Standard Fabric *Colours*



For the Palladio, Nordic, Pergolino, Apollo & Window Awnings

Dickson Colour Range:

Composition: Acrylic 100%, solution dyed
Finishing: Cleangard special dirt-resistant and awning water repellent treatment
Weight: 290g/m² **Width:** 120cm
Tensile Strength: 140 daN Wrap / 90 daN Weft
Tear Strength: 4 daN Wrap / 2.3 daN Weft
Water Repellency: >370mm
Colour Fastness Weather Condition: 4-5 / 5



Standard Construction Colours



option 4



The *Heston*

Our latest awning range consists of 3 variants, the Heston Light, Heston Flat and Heston Pro, each with their own unique characteristics. This beautiful awning range is capable of impressive spans and projections whilst the contemporary design will complement a wide range of homes and buildings. With a wide range of upgrades and colour options, there is something for everyone with a Heston awning.

Precision

Each awning is hand built to your specification using only the finest materials and components. The Somfy motors are the industry benchmark and come with a 5 year guarantee. The pitch is adjustable so you can tailor the drop of the awning to suit your individual requirements and the sun position of your home.

Control options

Manual or motorised options are available throughout the range and one remote control can operate multiple awnings and upgrades.

Colours

There are four standard colours throughout the range and these can be combined to create a personalised product for your home as well as one to perfectly match its surroundings. The fabric options are a blend of contemporary and classic shades and designs.

LED

LED lighting is available throughout the range and can be positioned in the awning arms and cassette to give your outdoor living area the comfort and versatility to use all day and into the night.

Each Heston awning comes with a 2 year guarantee, 5 years warranty on fabric and 5 years on Somfy motors (all subject to terms and conditions).





The *Heston Light*

The entry level Heston is capable of 6m length and 3.6m projection. Housed in a modern satisfyingly neat design that is sharp, square and modern, this is the perfect awning for the discerning customer.

With the addition of LED lighting in the awning arms, this is an attractive and versatile addition to any home or building.

It can be fully retracted when not in use and can be covered with up to 28 different fabric colours and 4 different frame colours.





The *Heston Flat*

The Heston Flat is the first of the big span awning options and is capable of 12 length in one roll of fabric and a projection of 3.6m which gives a lot of scope for large houses and commercial buildings.

The cassette shape is simple and contemporary and doesn't require a lot of landing space on the wall so is ideal for all applications. LED lighting is available in both the cassette and awning arms to enhance the covered area.





The *Heston Pro*

This awning has the capability of a 12m length in one roll of fabric and a 4.35m projection which is truly amazing.

The well thought out design of the cassette box complements any home or building and as with all the Heston range, fully encloses the fabric to preserve and protect it from the elements.

Like the Heston Flat, you can add the LED lighting to the cassette as well as the awning arms for complete versatility.



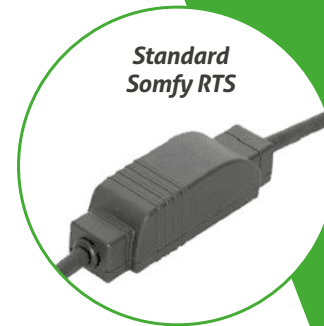
The *Heston* Accessories

The Heston comes in an attractive array of colours and uses cutting edge Para Tempotest Starlight fabric for durability and protection from the sun and light rain.

The cassettes are fully enclosed to preserve the fabric and allow for a sleek and contemporary design. They come in 4 standard colours and any combination of - see below.

Each awnings boasts useful upgrades such as integrated LED lighting and Bluetooth speakers that will really enhance your enjoyment of the product.

Casette Colours



The arms are designed to provide more than 30,000 cycles



LED lighting on the awning arms

option **5**



The *Apollo*

Introducing the all new free standing, back to back, multi-purpose, versatile awning...The Apollo Awning.

Perfect for large outdoor covered areas in either a commercial or domestic setting, available in a standard RAL 9010 but also in any RAL colour at an additional cost.

This impressive awning is available at 5.5m wide and 6.2m total projection and both sides operate simultaneously.

The Apollo is a back to back awning which is perfect for shade from the sun in large areas with no walls to fix to.

Features

- Total length max is 5.5m from post to post, with a projection of 3.1m both sides to make 6.2m in total.
- 1 standard colour for the frame but any other colour is additional charge
- Maximum pitch 30 degrees
- Posts can be between 2.5m up to 3m in height
- Dixon fabric
- Standard Somfy RTS motors and Somfy remote controls
- Optional Valance
- Optional inground support brackets

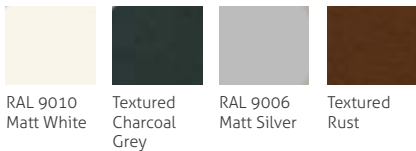
Each Apollo awning comes with a 2 year guarantee, 5 years warranty on fabric and 5 years on Somfy motors (all subject to terms and conditions).



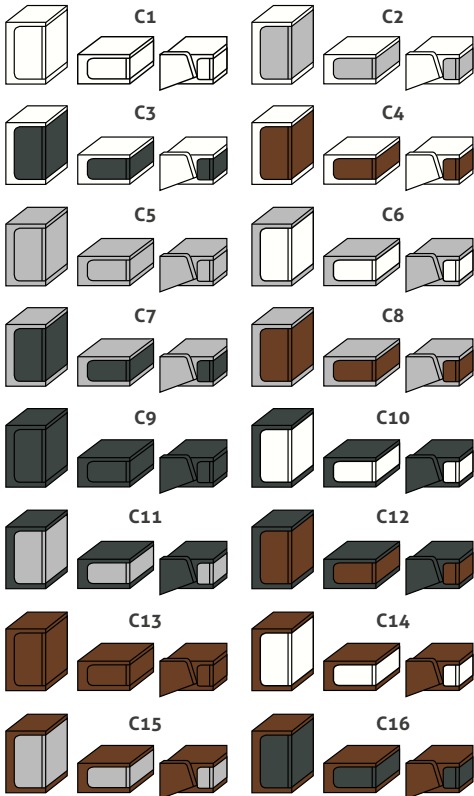


The *Heston* & *Apollo* Colours

Colour Combinations



When ordering please specify colour combination code (e.g. C7)



Fabric Colours

STARLIGHT is a line of fabrics produced with an innovative 100% PET fibre dyed in the mass with added UV Absorbers to makes them perfectly stable and resistant to UV rays. The fabrics have an outstanding resistance to deformation and traction, making them especially suited for use in large

structures, sails with fabric that have hanging brackets that are subject to a high degree of traction and box awnings. When used for basket awnings these fabrics significantly reduce the risk of micro-perforations due to the mechanical action of opening and closing.





First Floor, South Wing
1 James Whatman Court
Turkey Mill Business Park, Ashford Road
Maidstone, Kent ME14 5PP
Tel: 0845 869 6006
Email: sales@milwoodgroup.com
www.milwoodgroup.com